

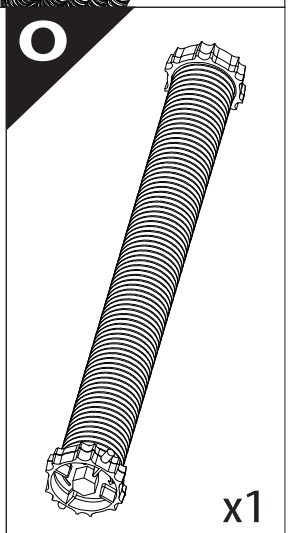
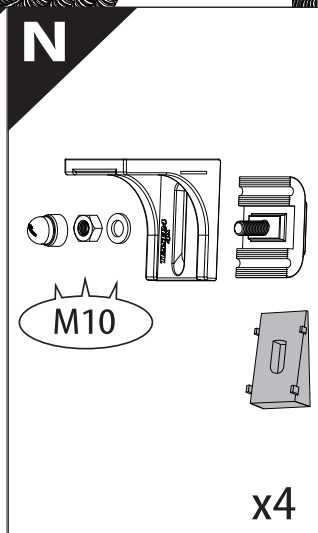
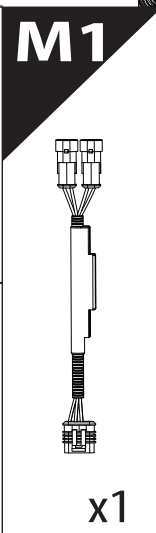
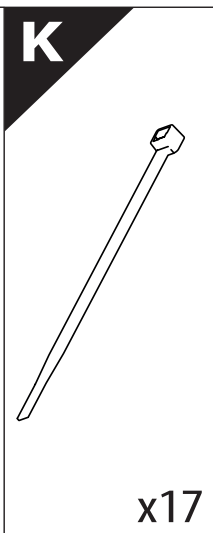
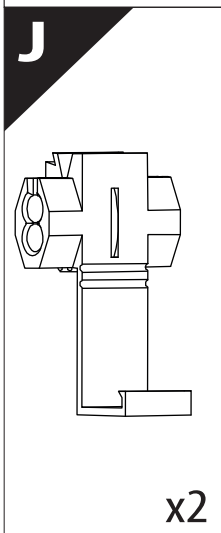
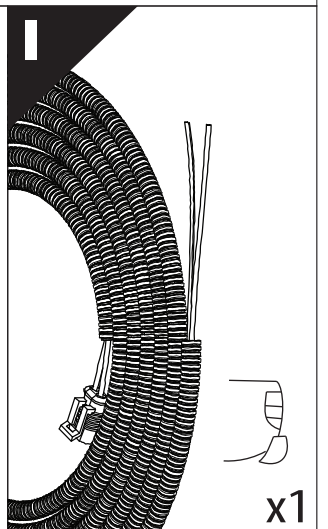
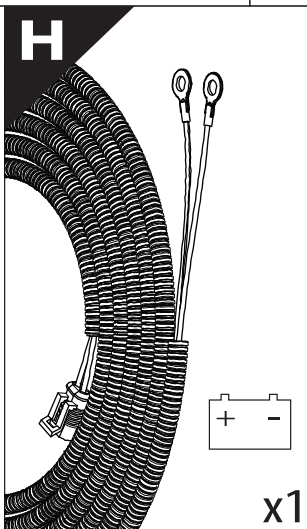
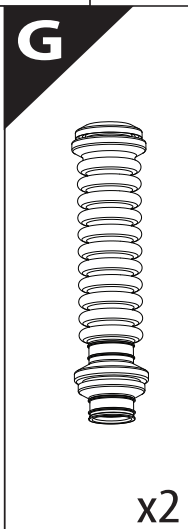
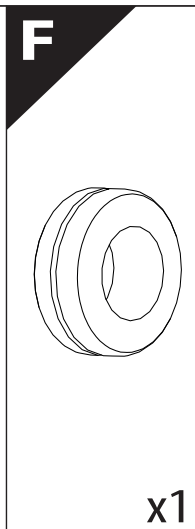
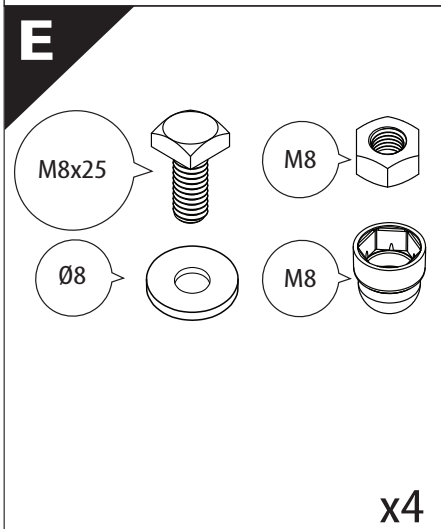
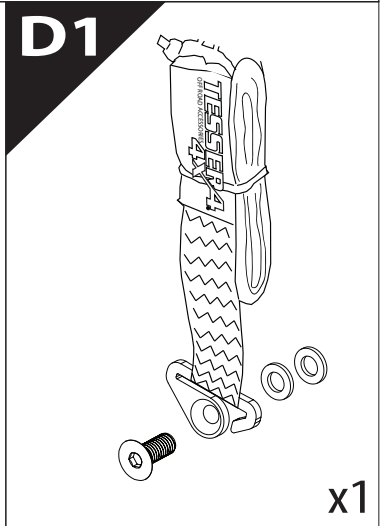
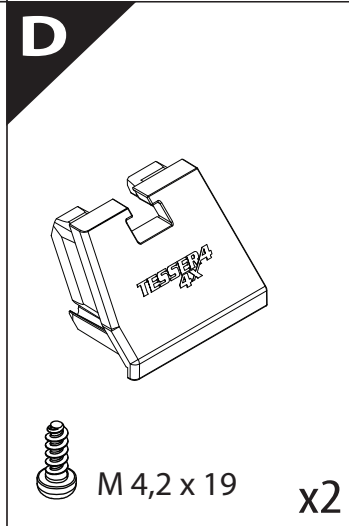
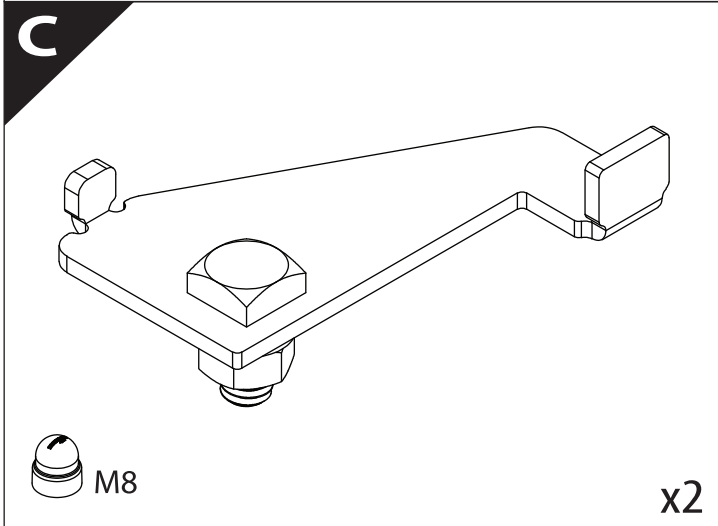
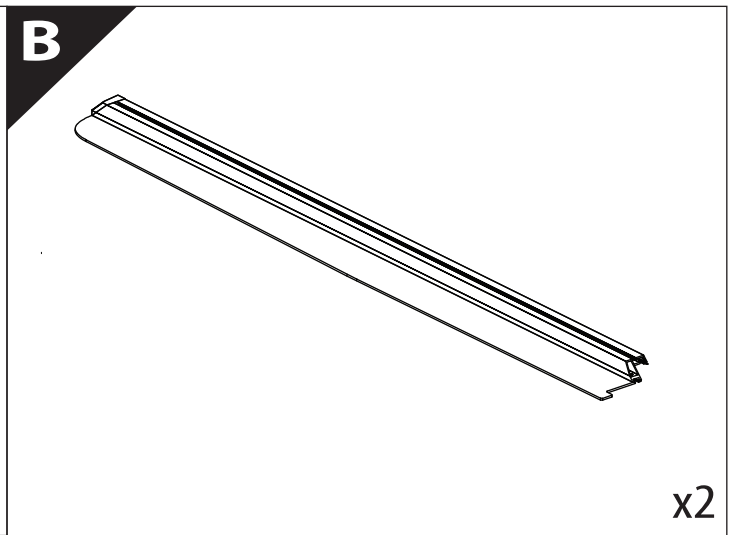
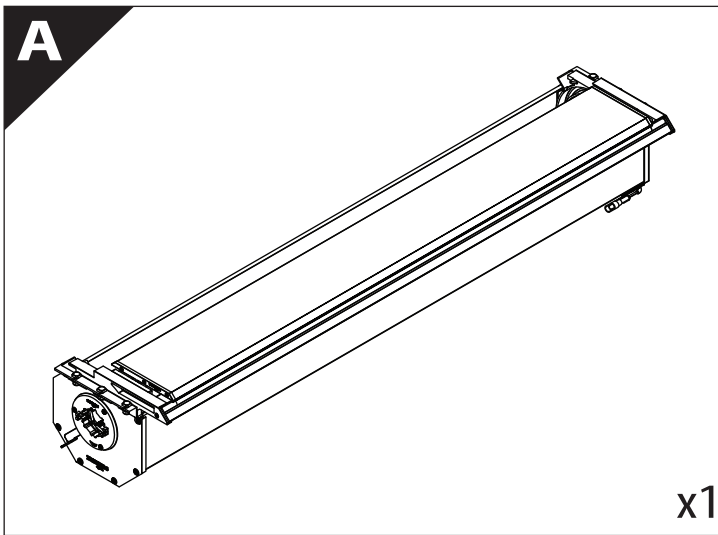
Tessera Roll+

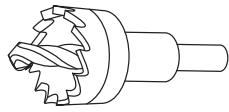
Basic Version + ⚙️ S-KIT



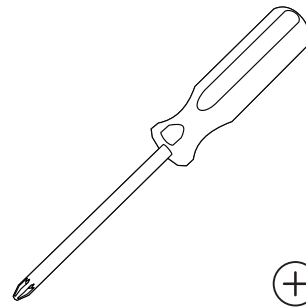
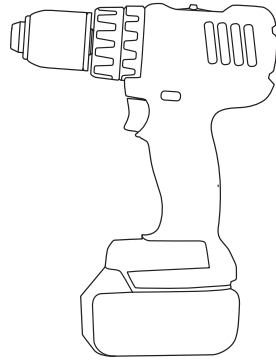
Installation Manual

PART NUMBER(S)	Model Year
TESS 1444 ROLL+S-KIT	Jac T9 EV 2024+
Cab(s)	Installation Time / Weight
Double Cab	40-60 minutes / 53-57 kg

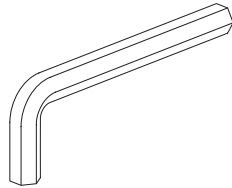
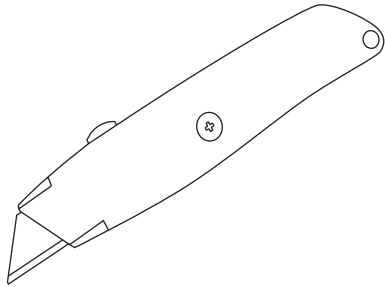
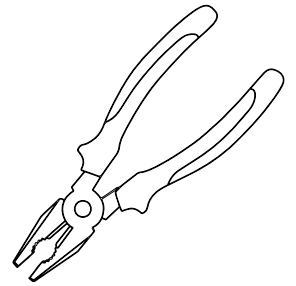




Ø 25 mm

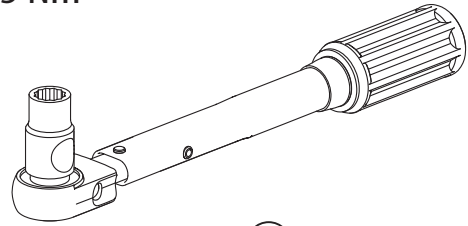


+



4 mm

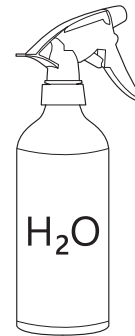
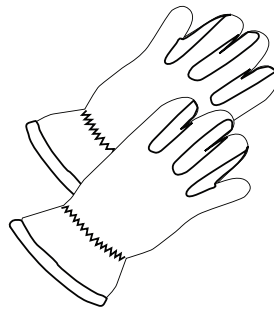
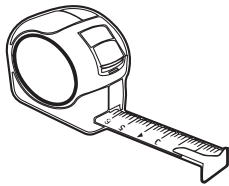
1 - 25 Nm



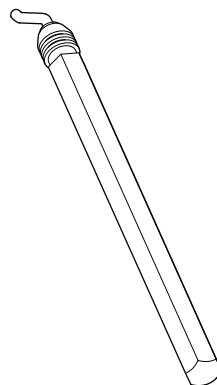
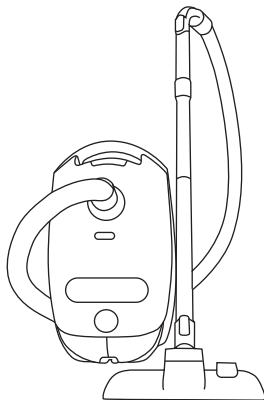
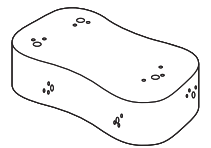
13, 17 mm



ACETONE



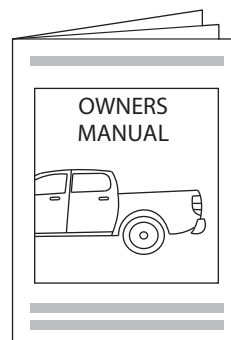
H₂O



ANTI-RUST

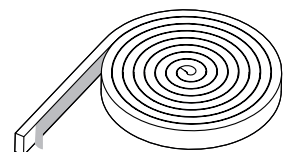
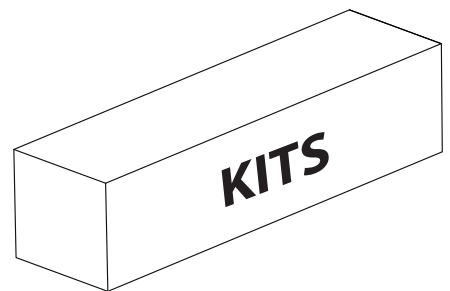
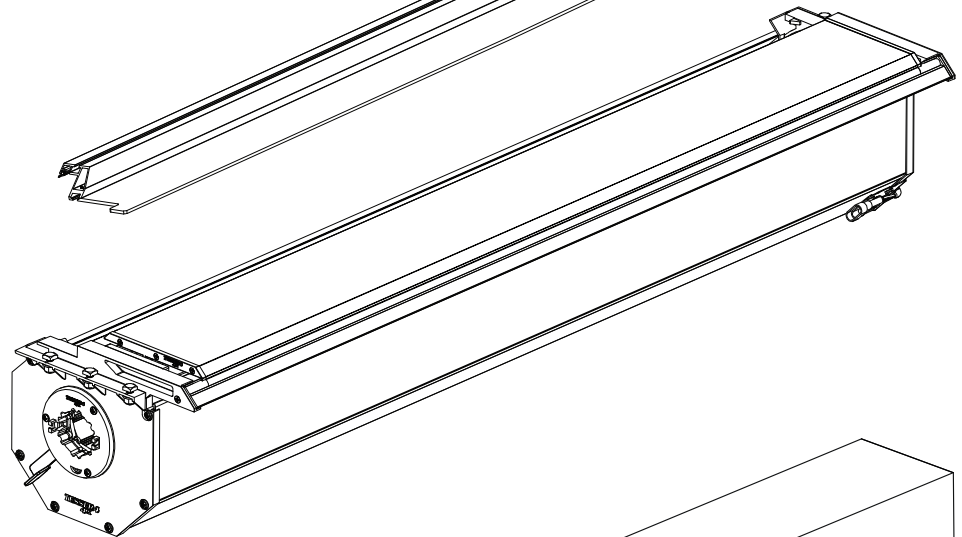
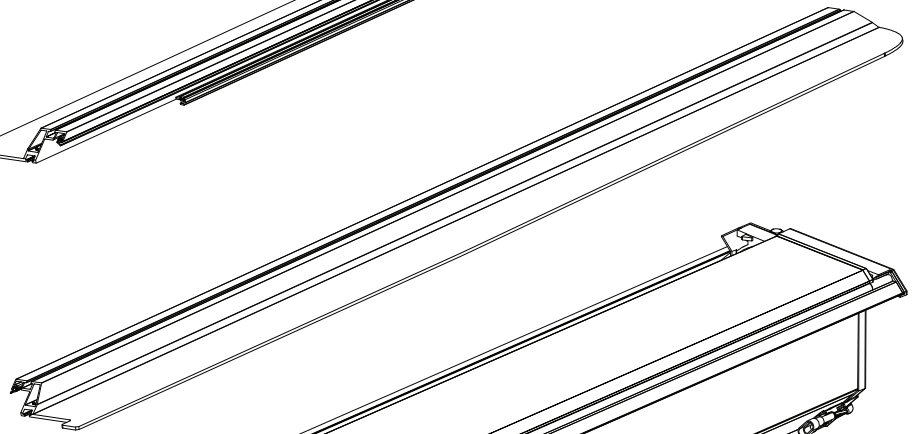
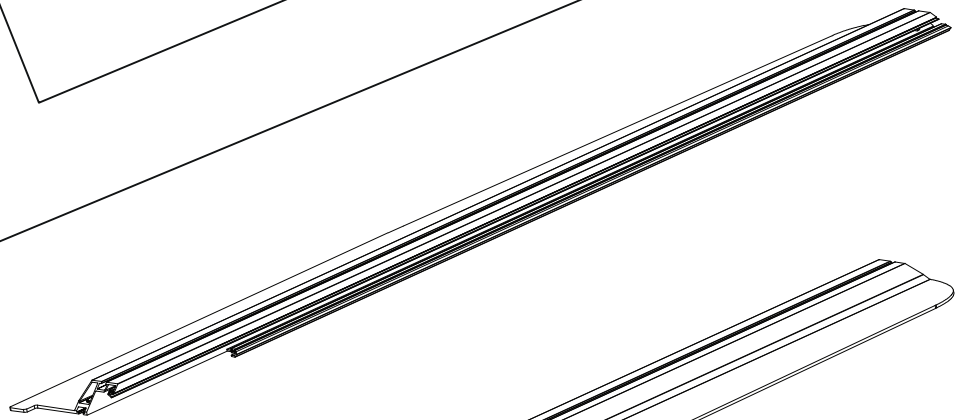
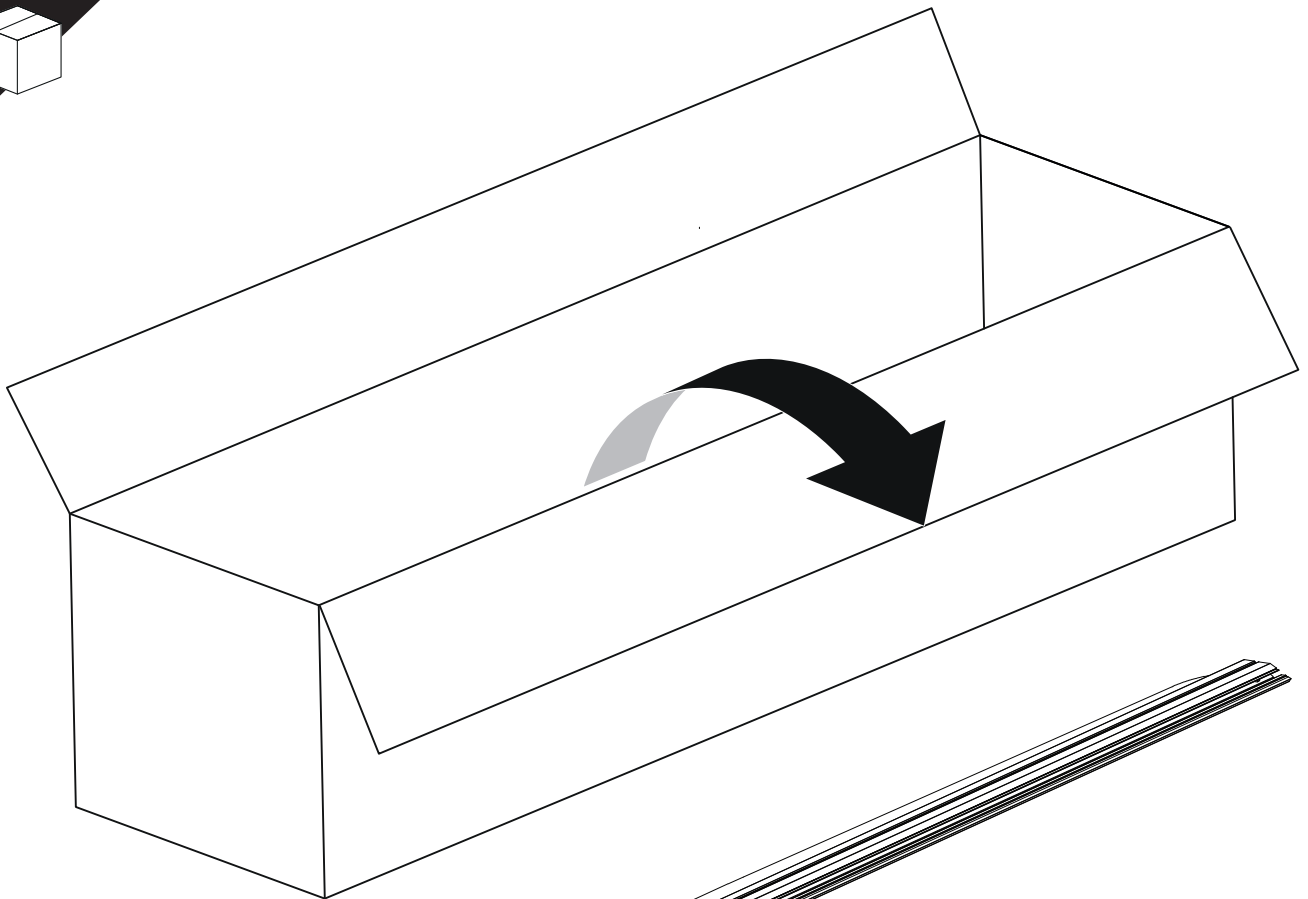


INSTALLATION
MANUAL



OWNERS
MANUAL

x1



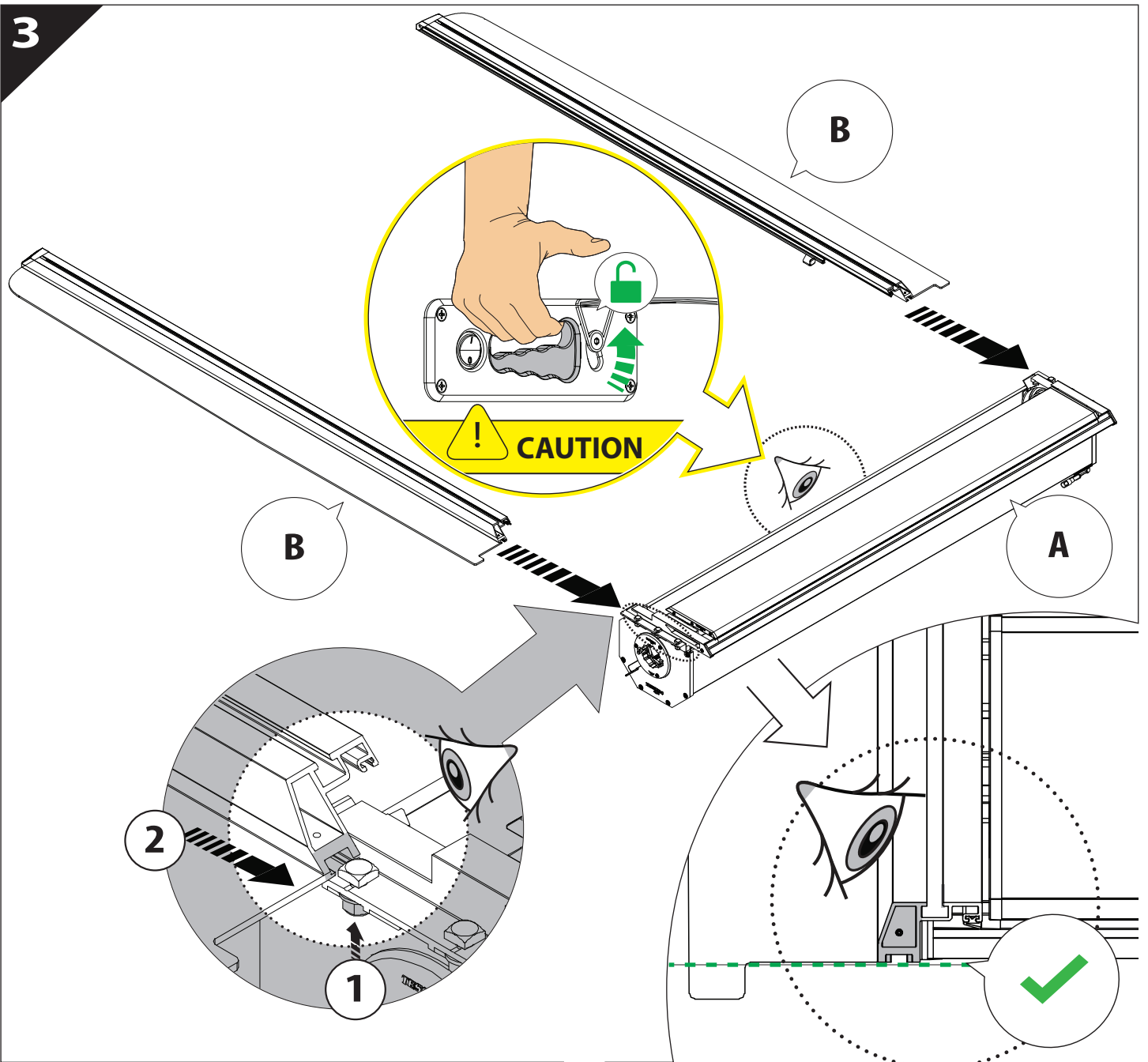
B

A

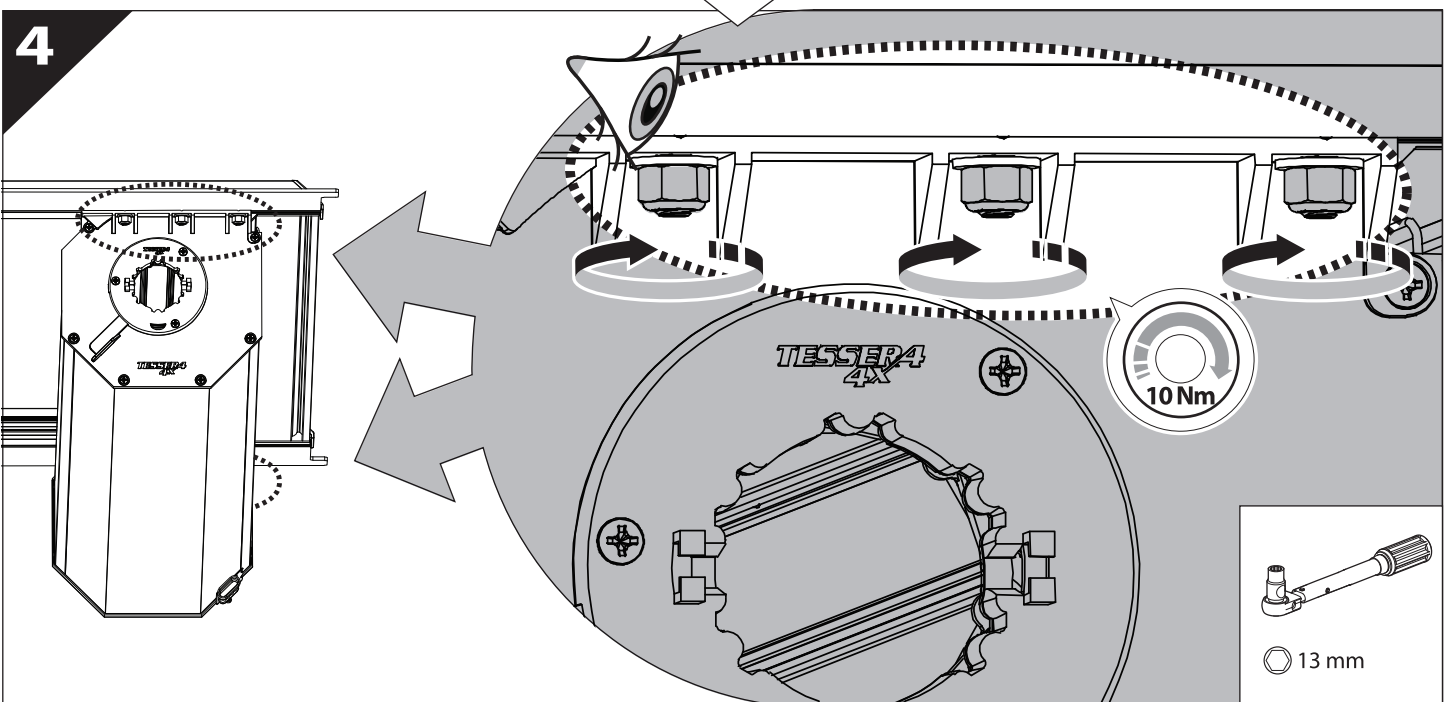
KITS

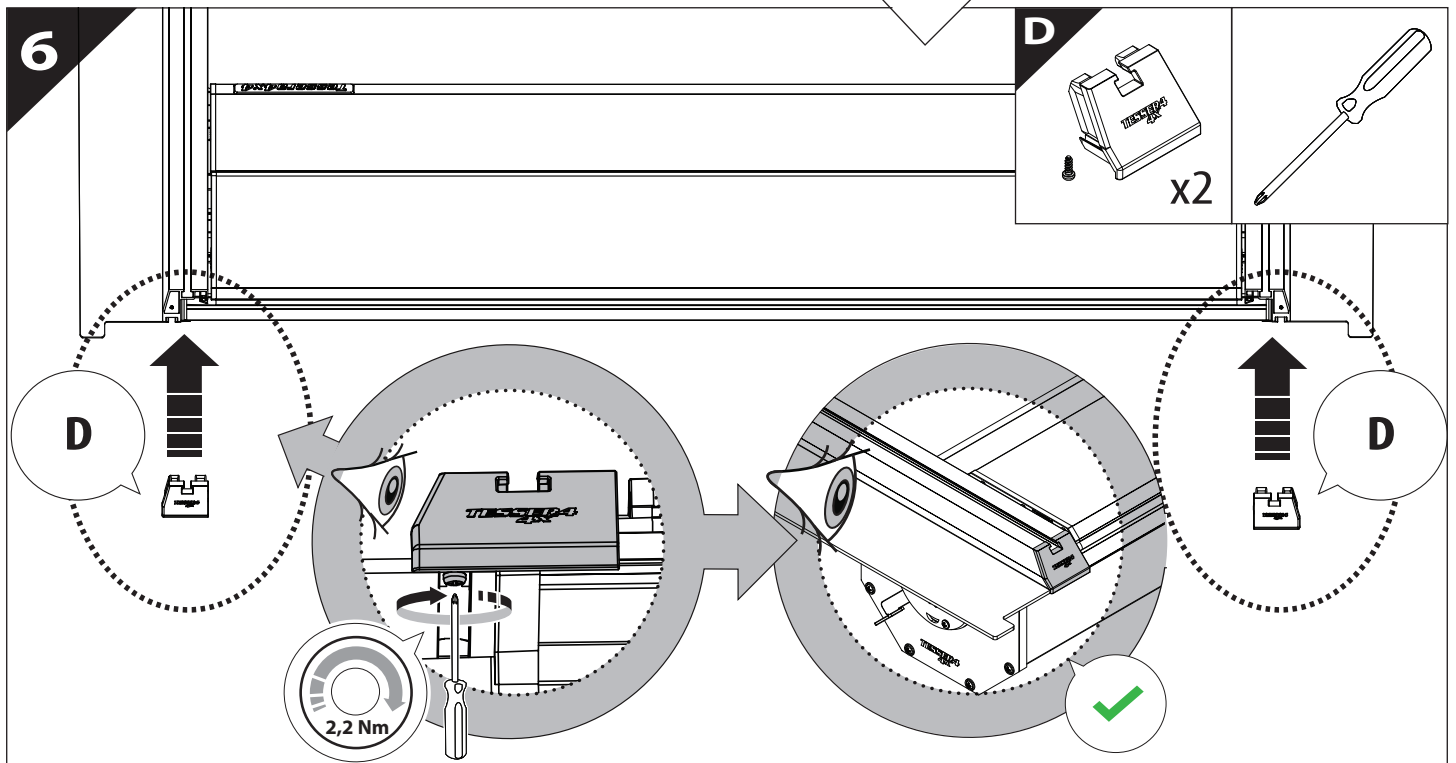
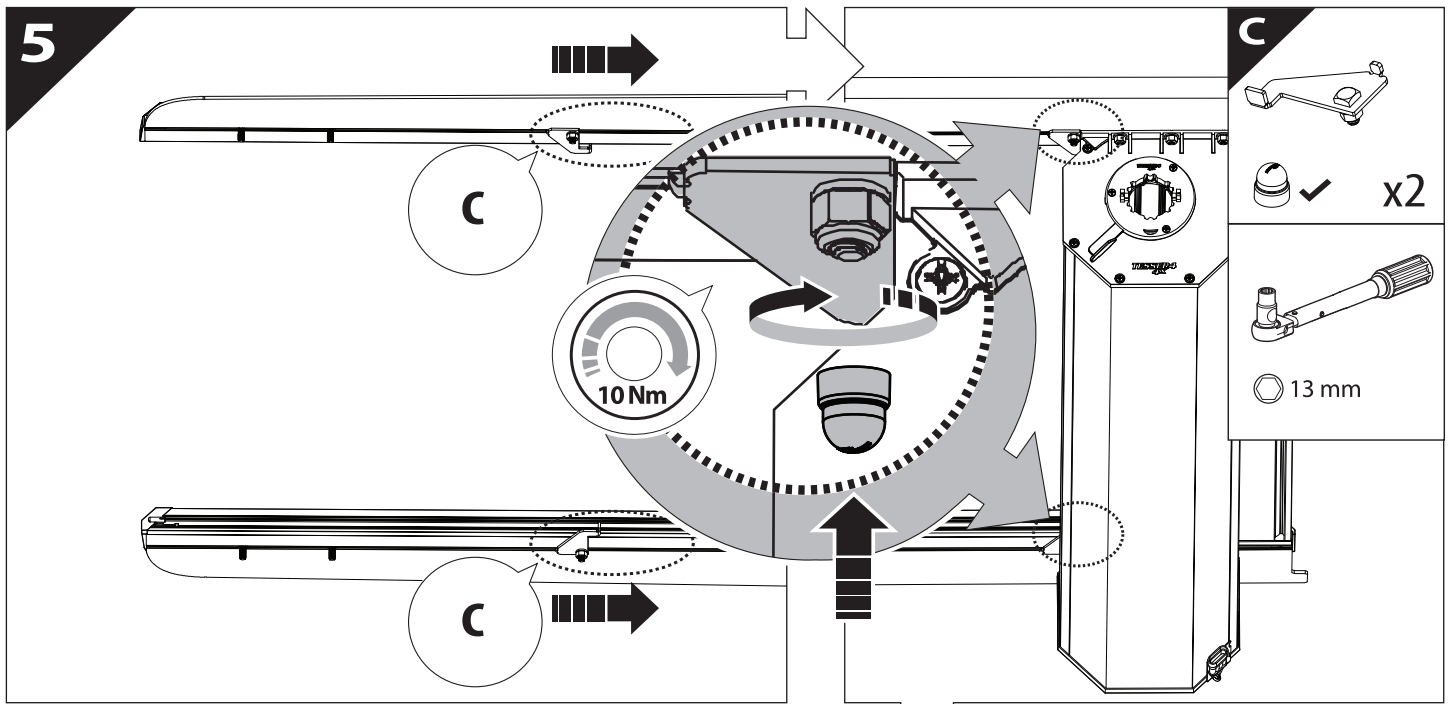
L

3

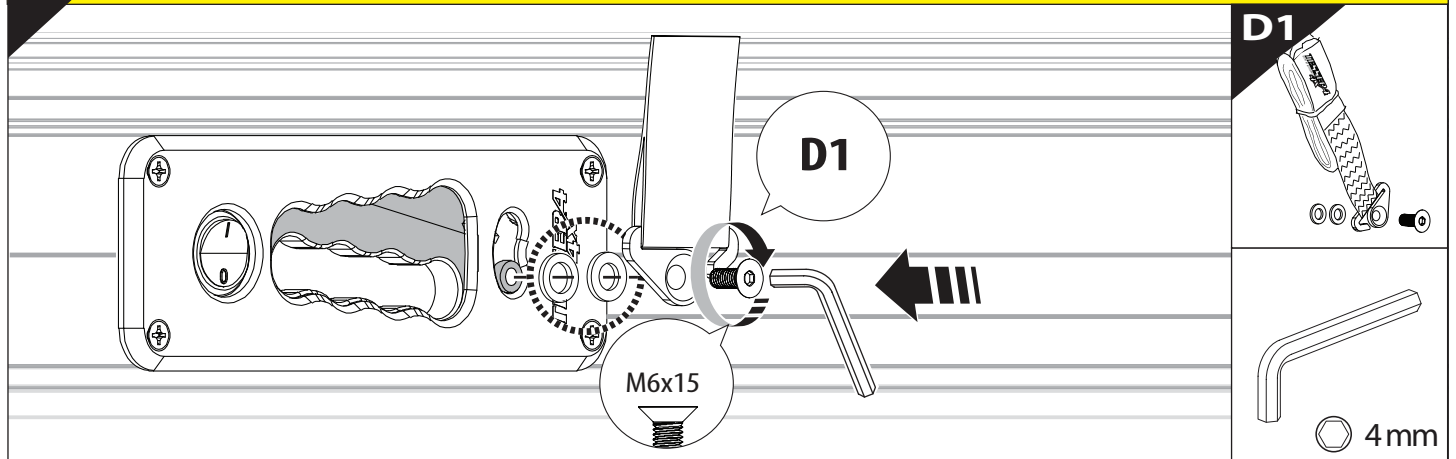


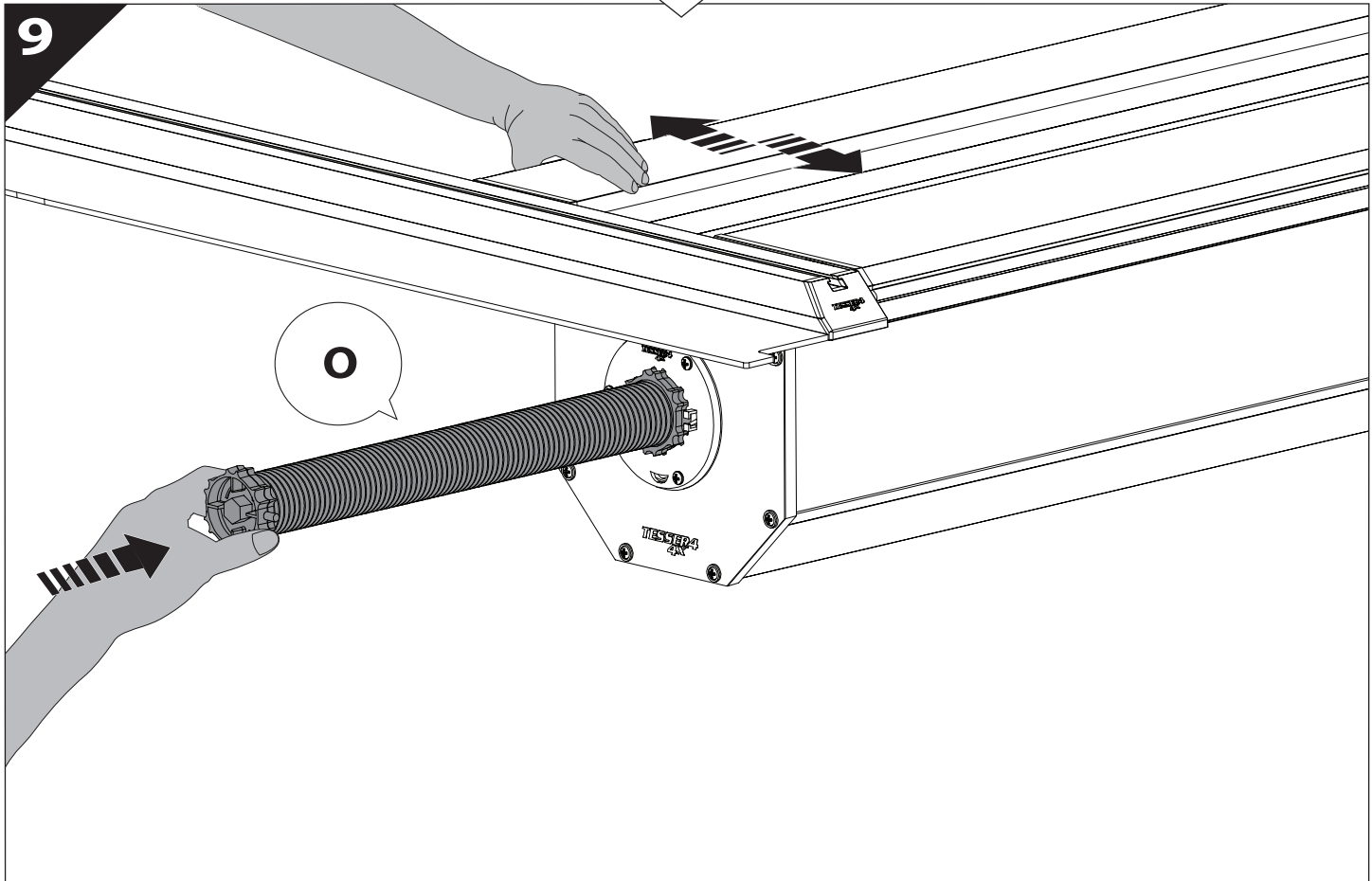
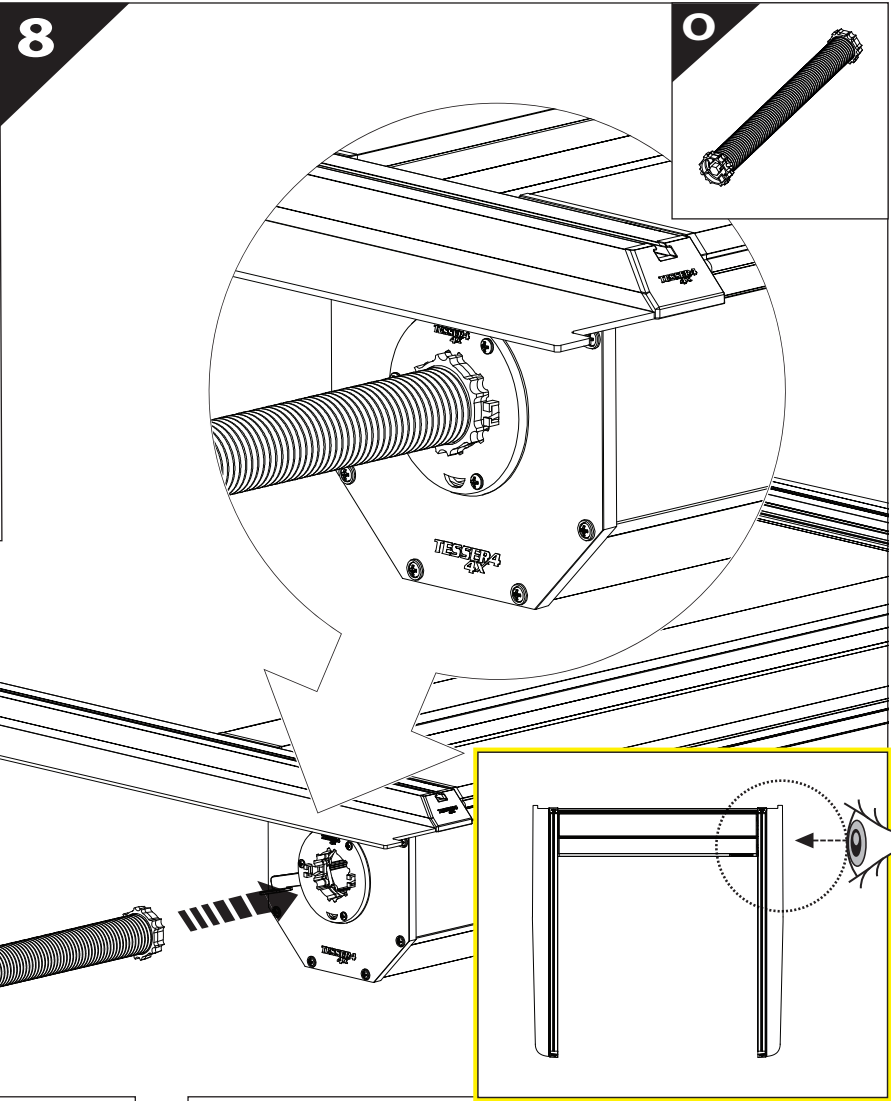
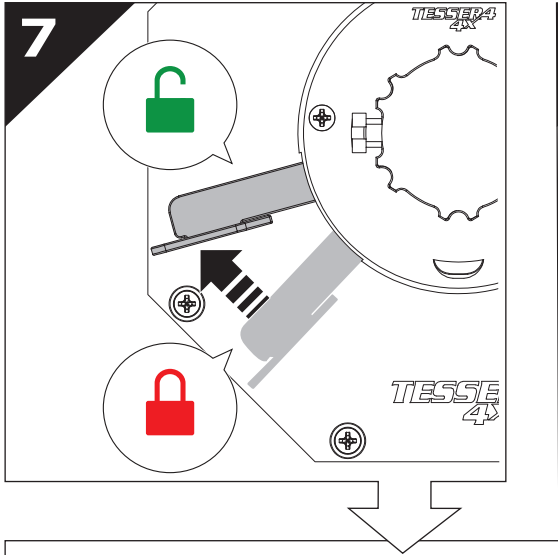
4

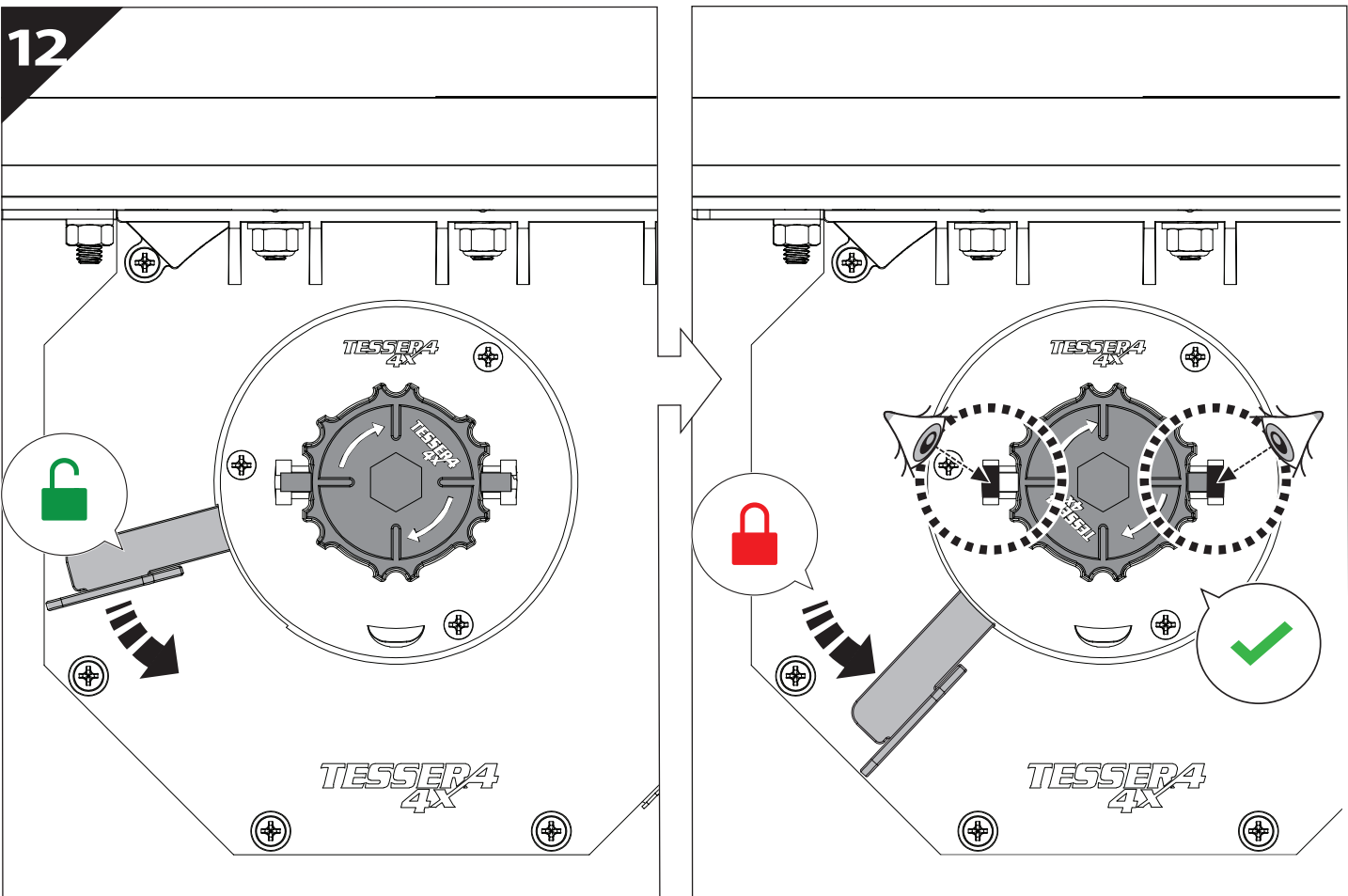
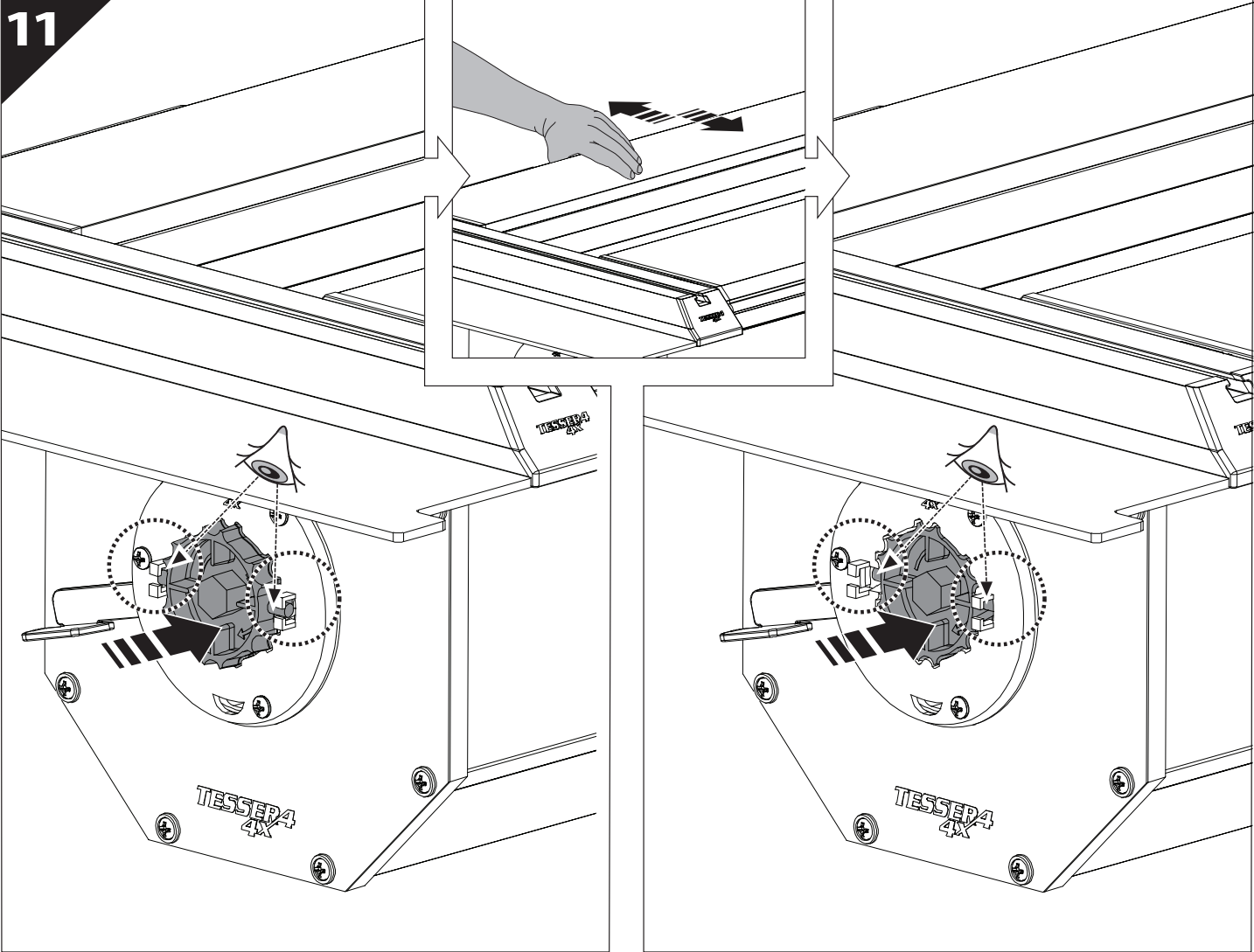




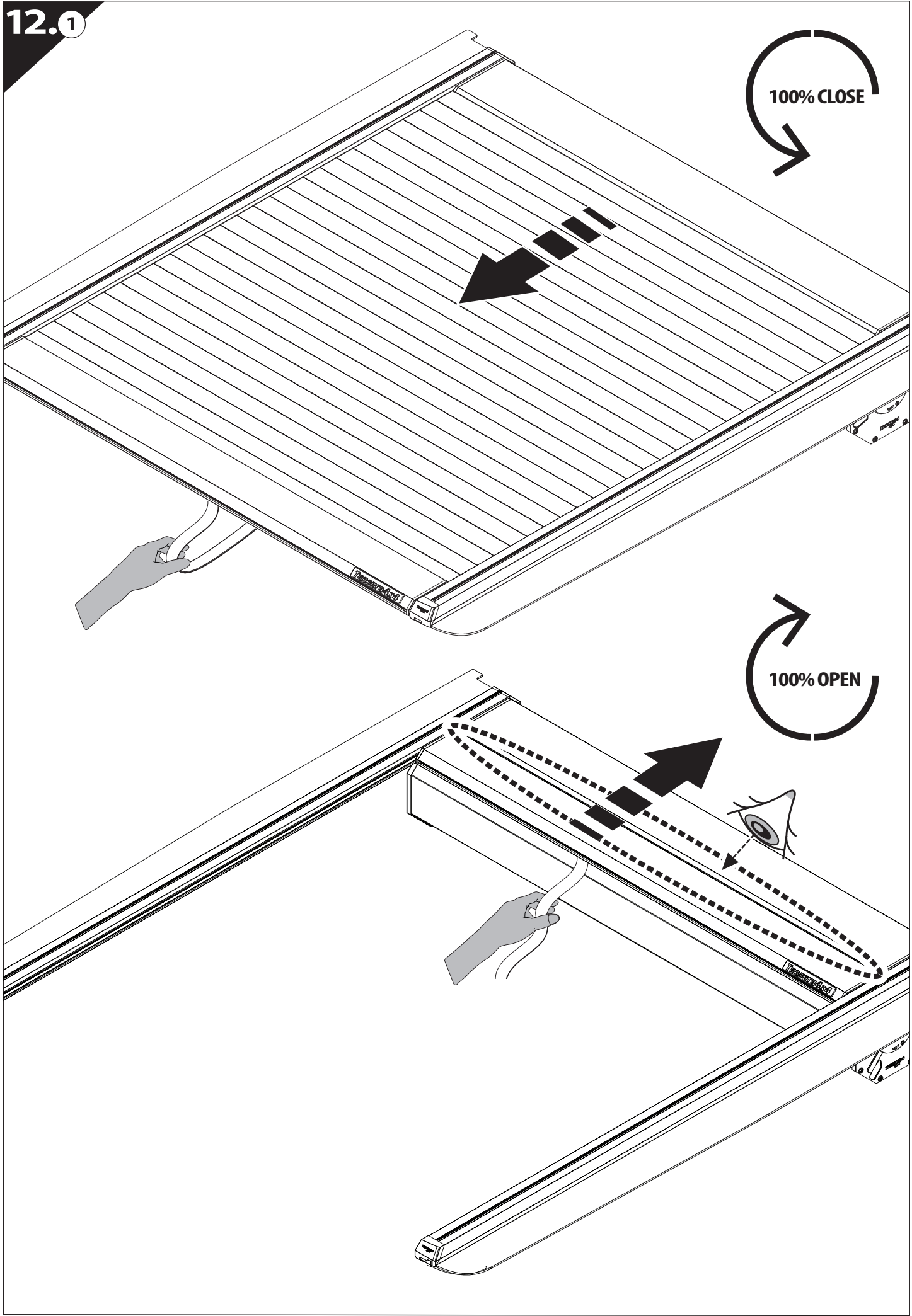
6.1 **CAUTION** Basic Version ✓ & Basic+S-KIT Version ✓



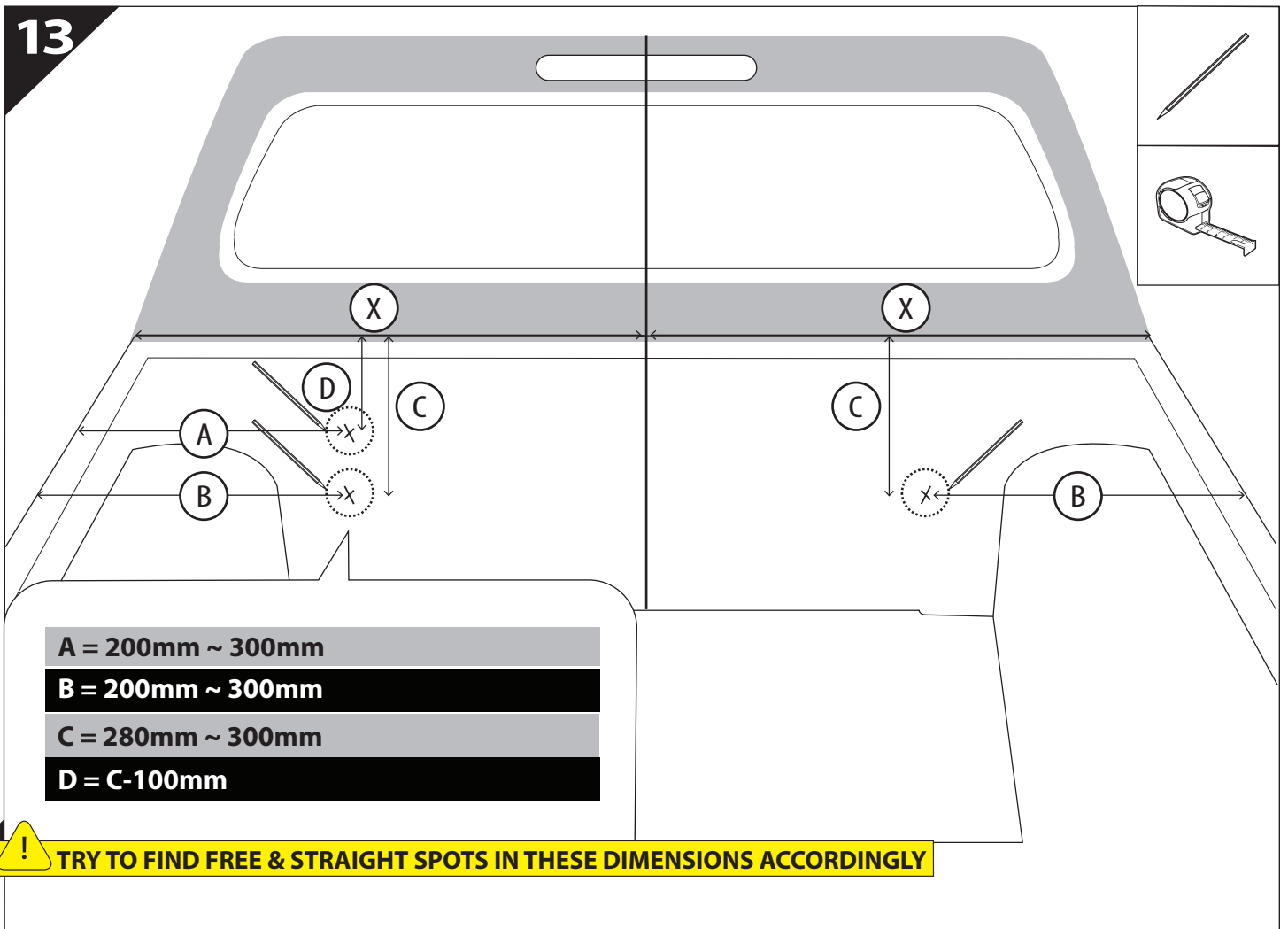




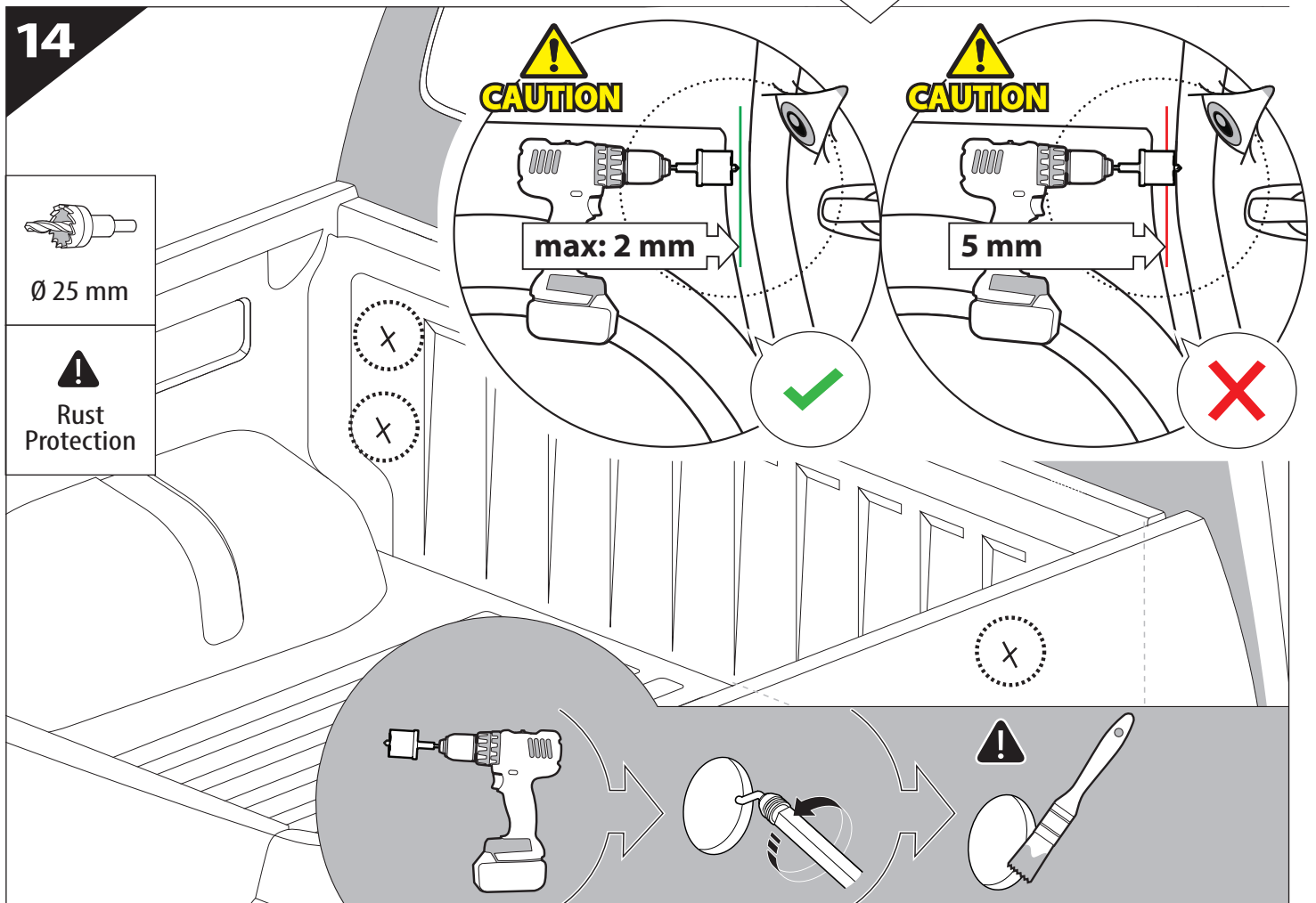
12.0



13

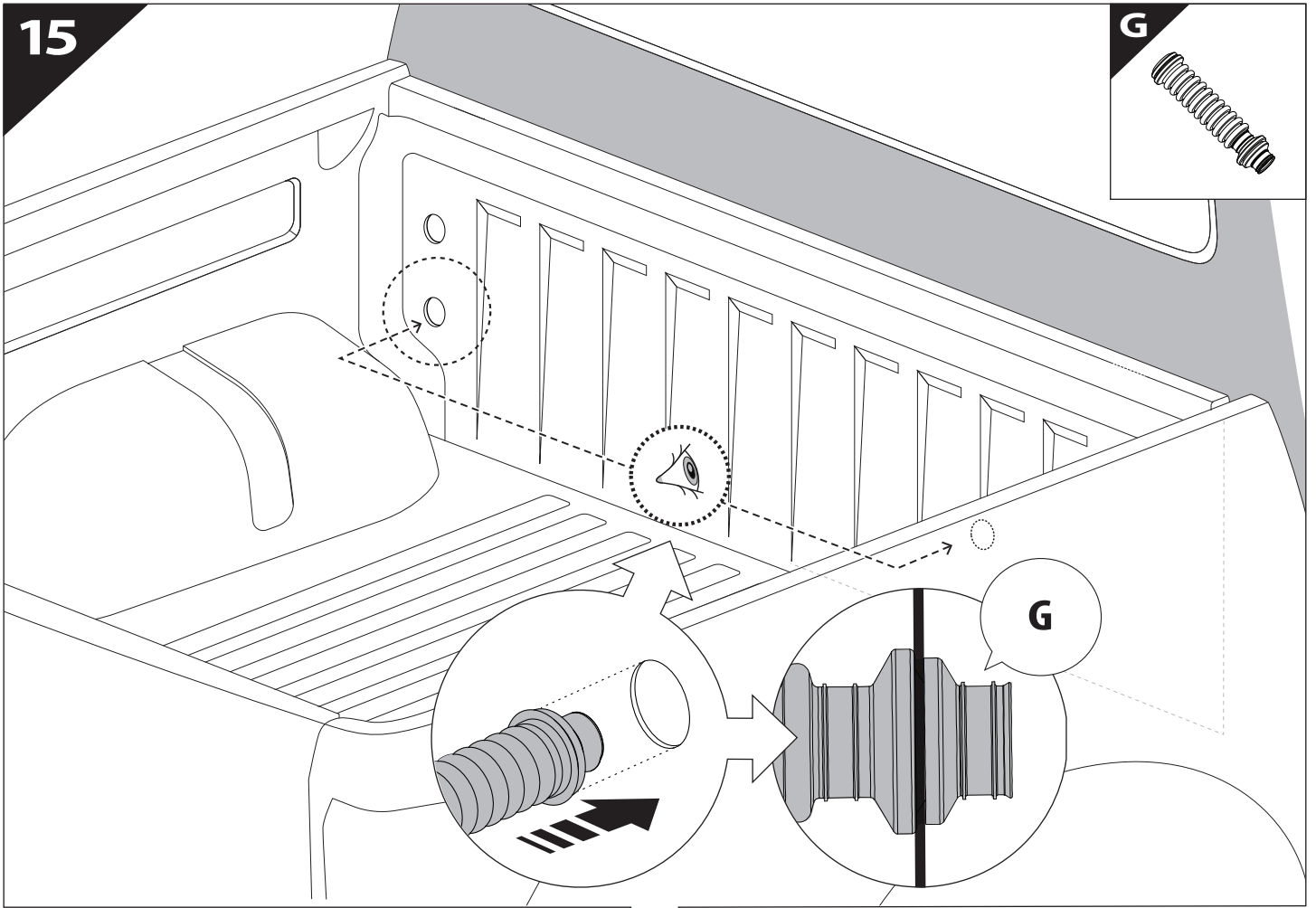


14



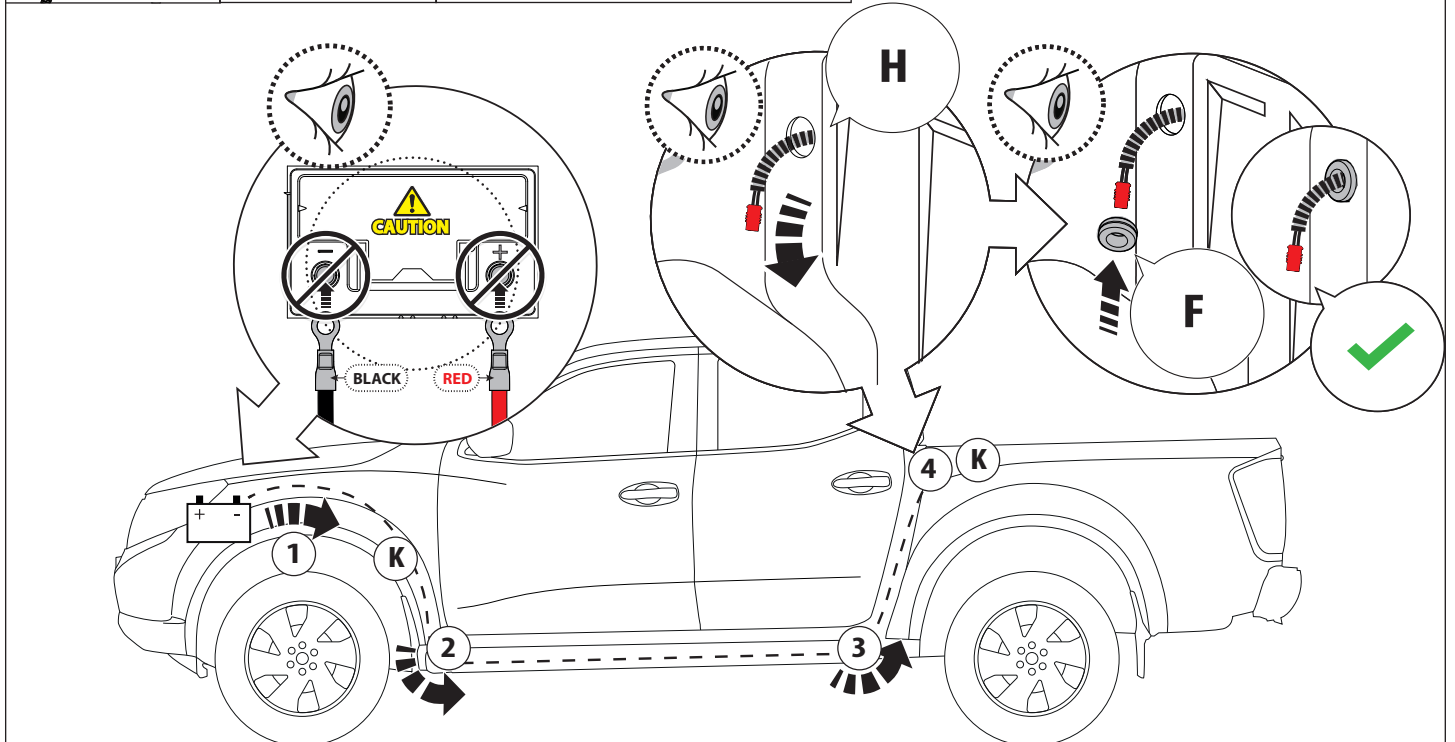
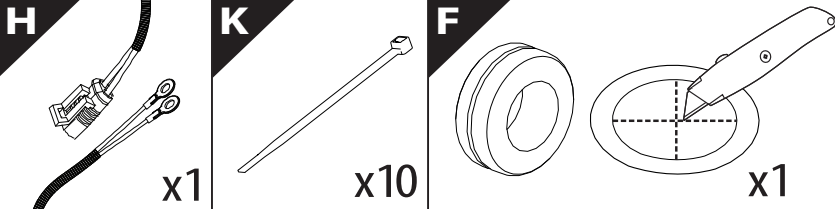
15

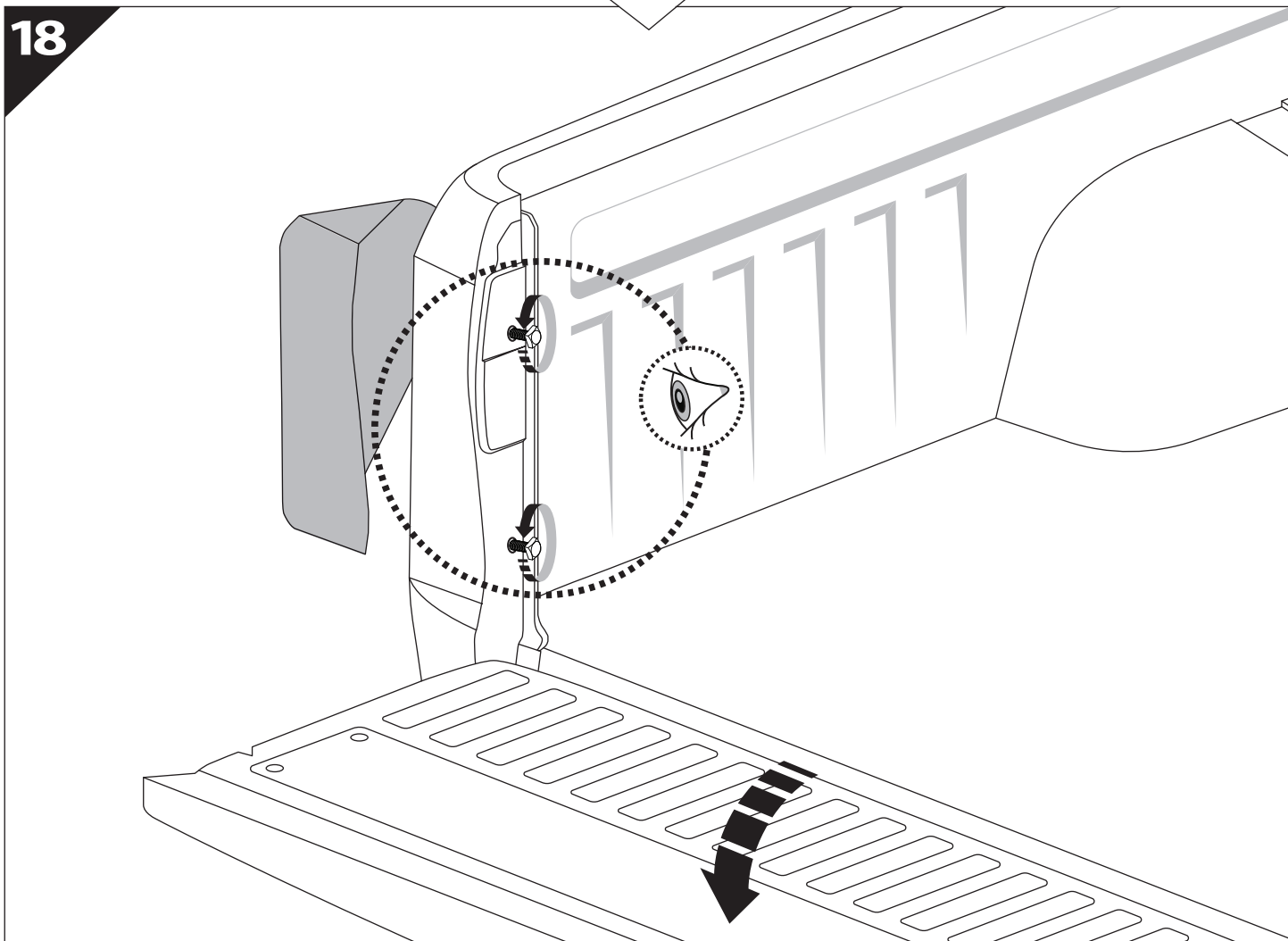
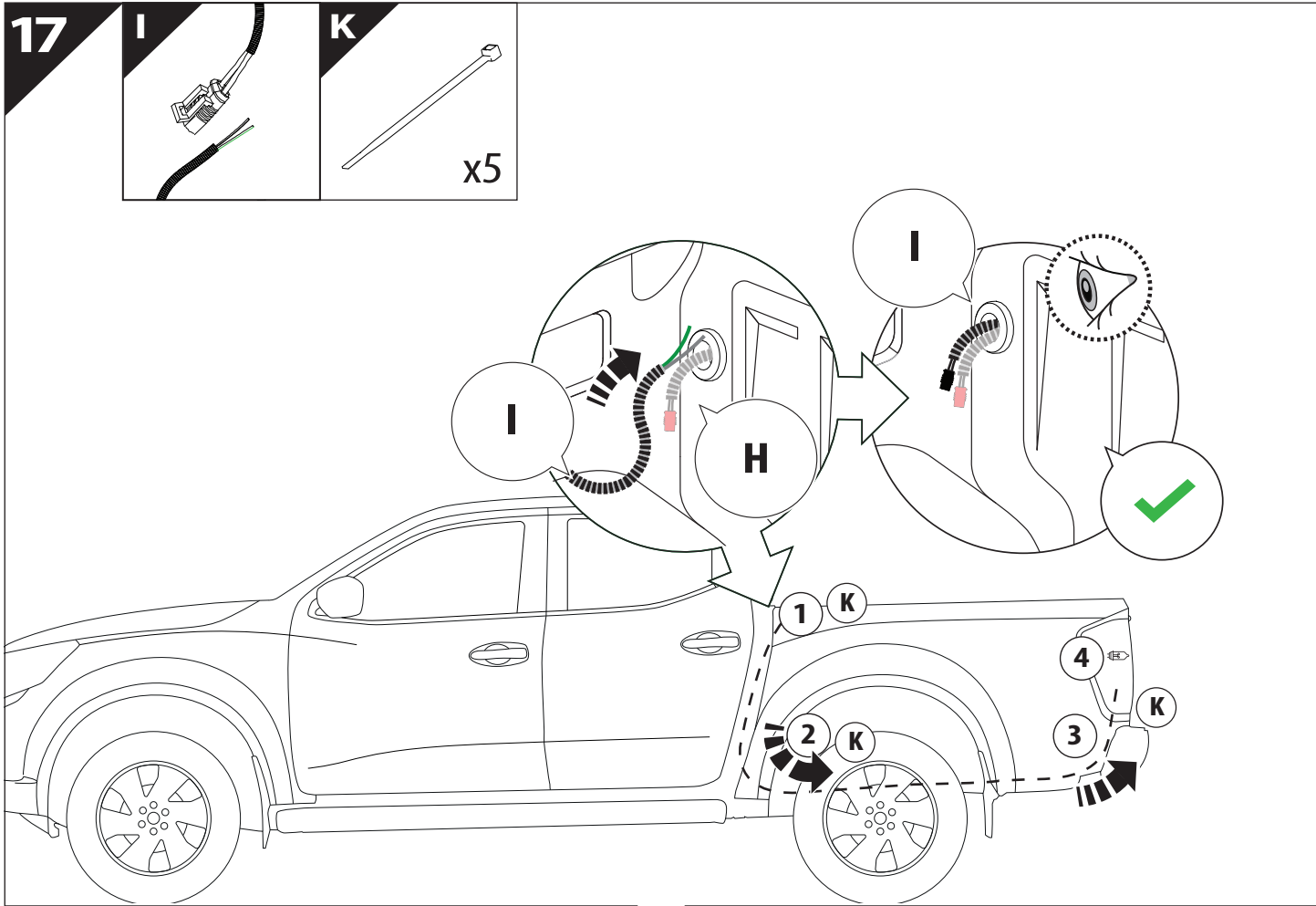
G



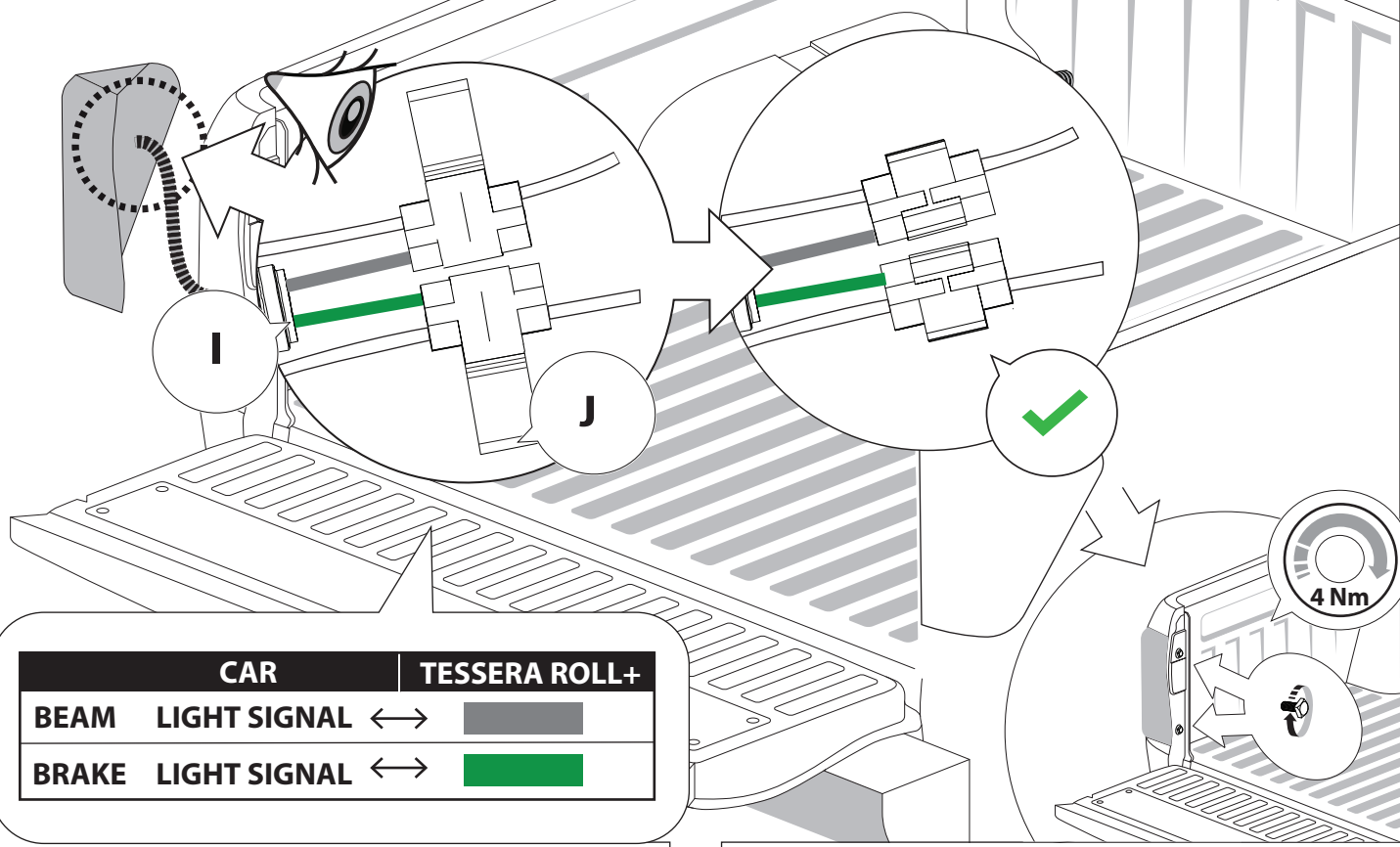
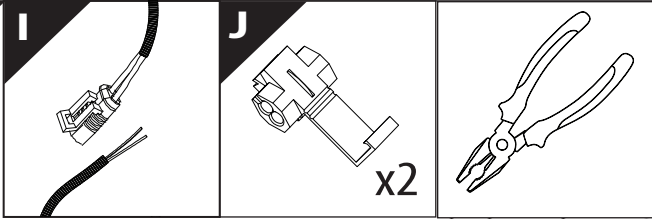
16

Only to be installed by authorized personnel



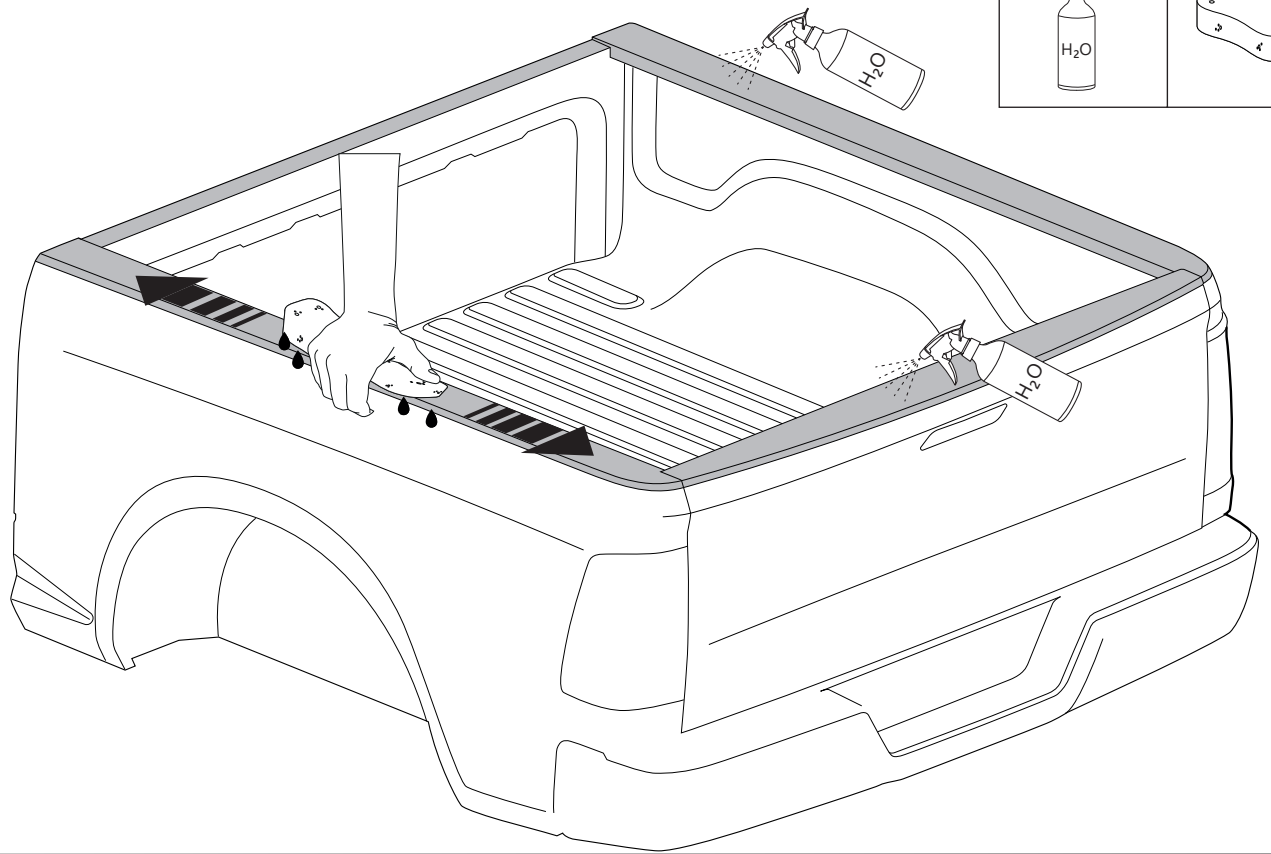
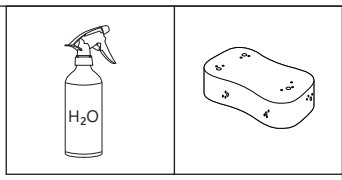


19

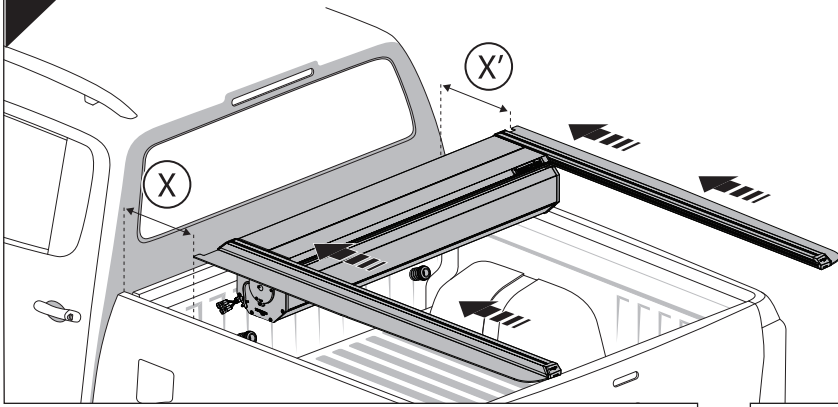


	CAR		TESSERA ROLL+
BEAM	LIGHT SIGNAL	↔	■
BRAKE	LIGHT SIGNAL	↔	■

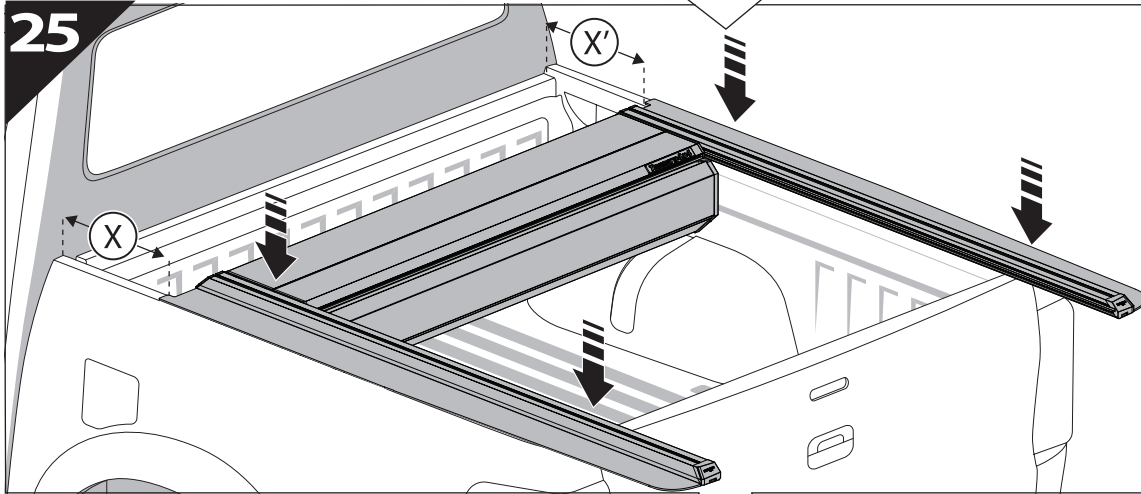
20



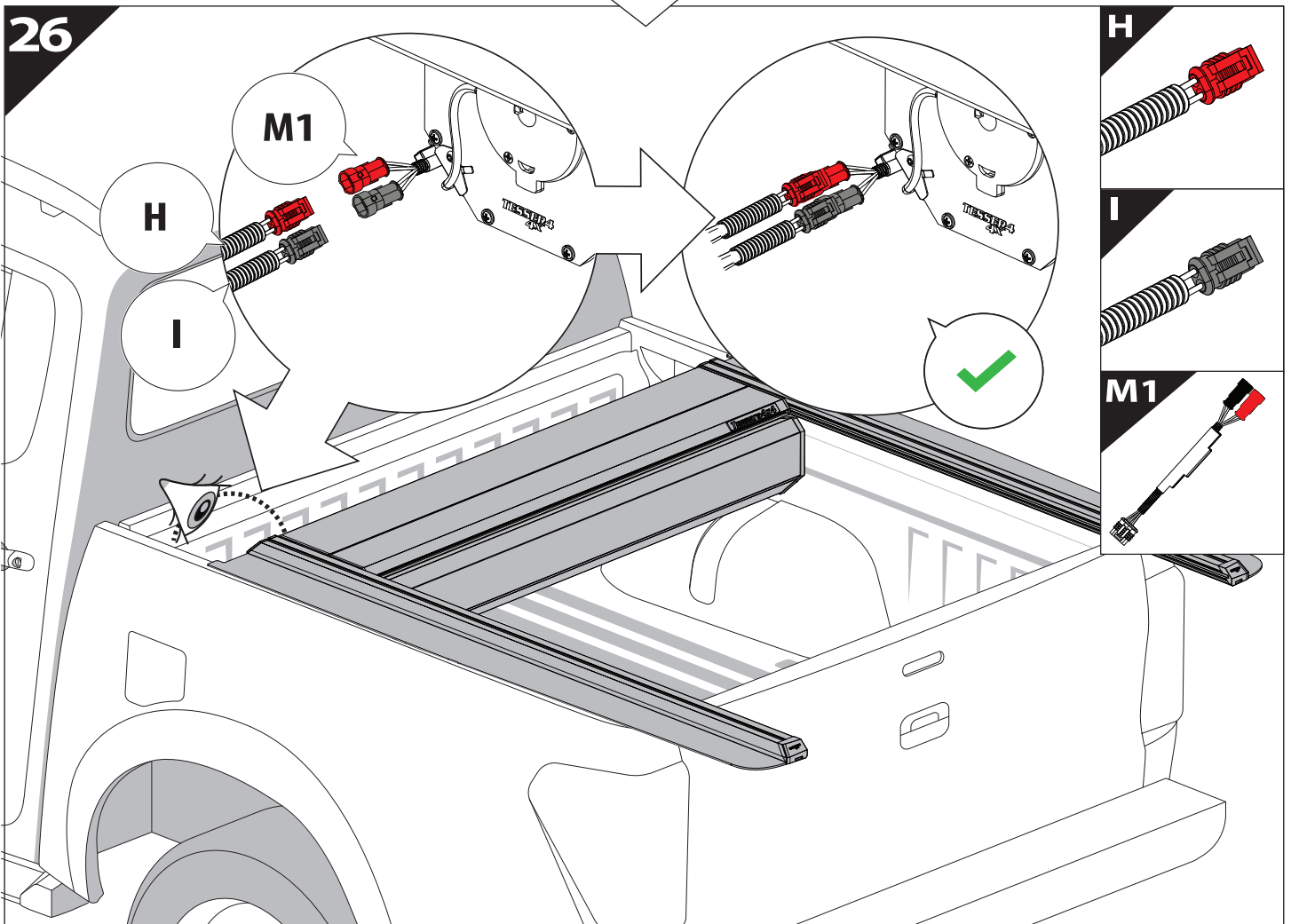
24



25

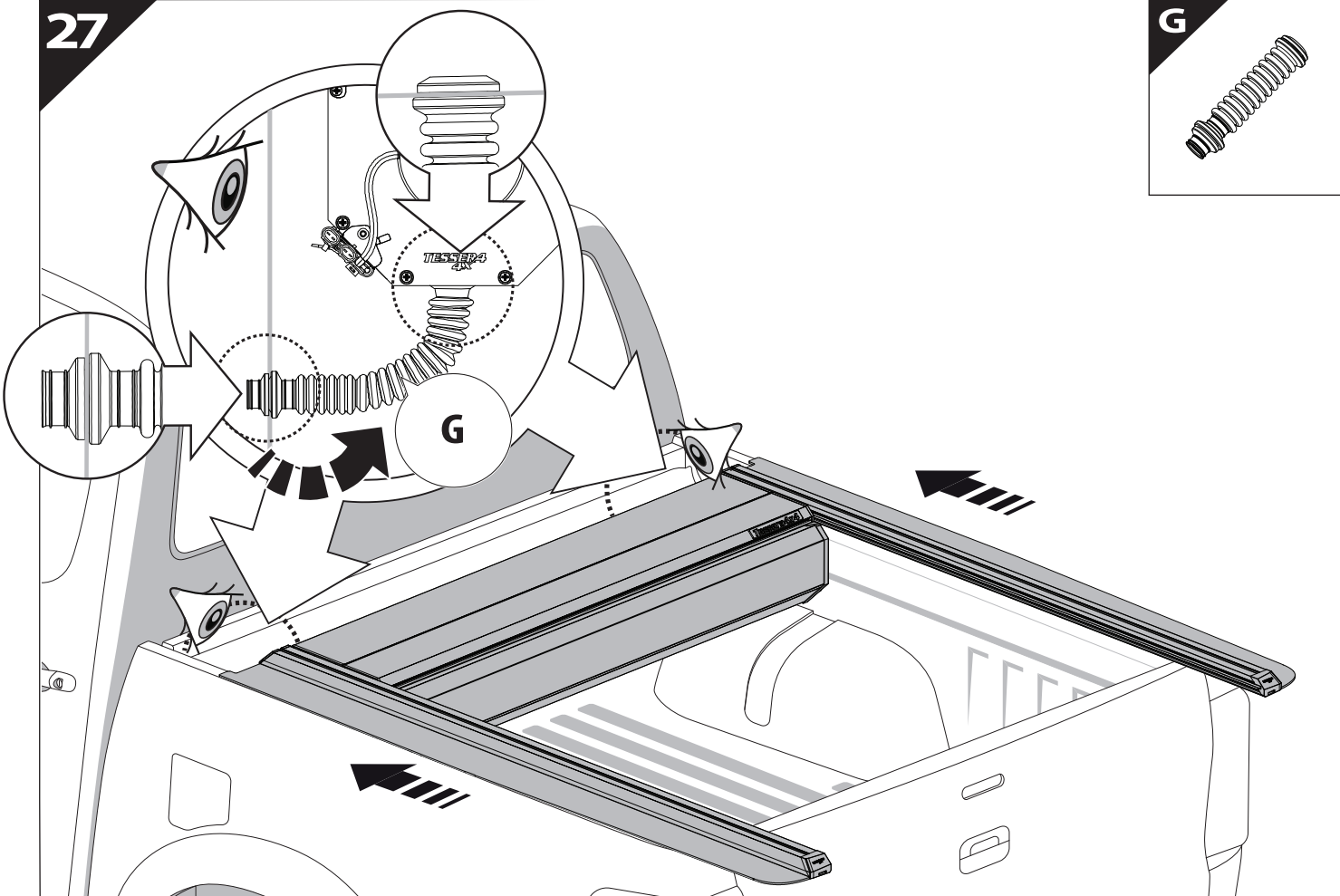


26

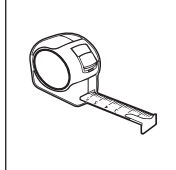
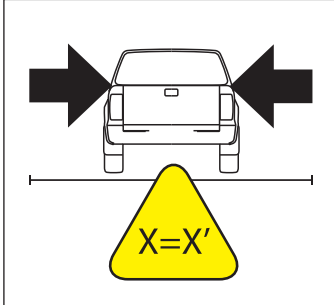
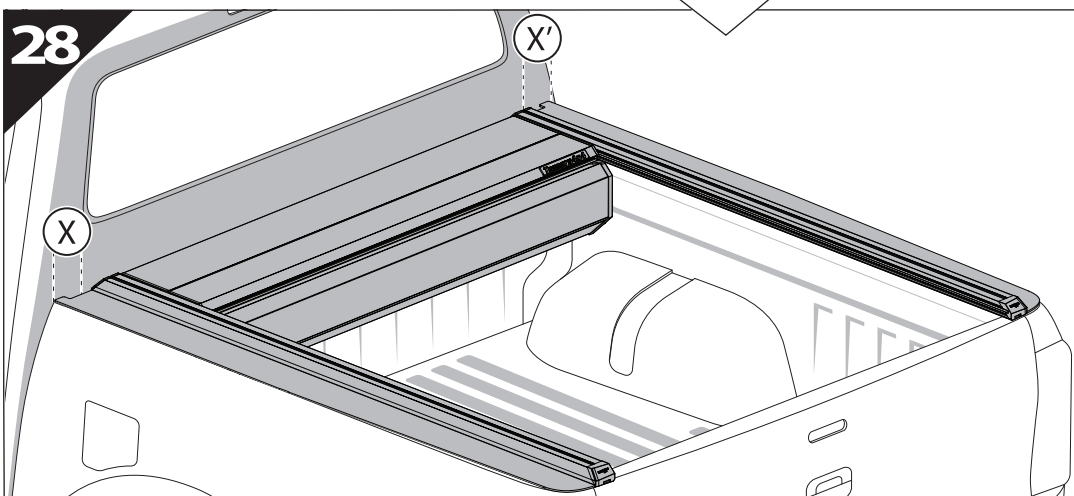


27

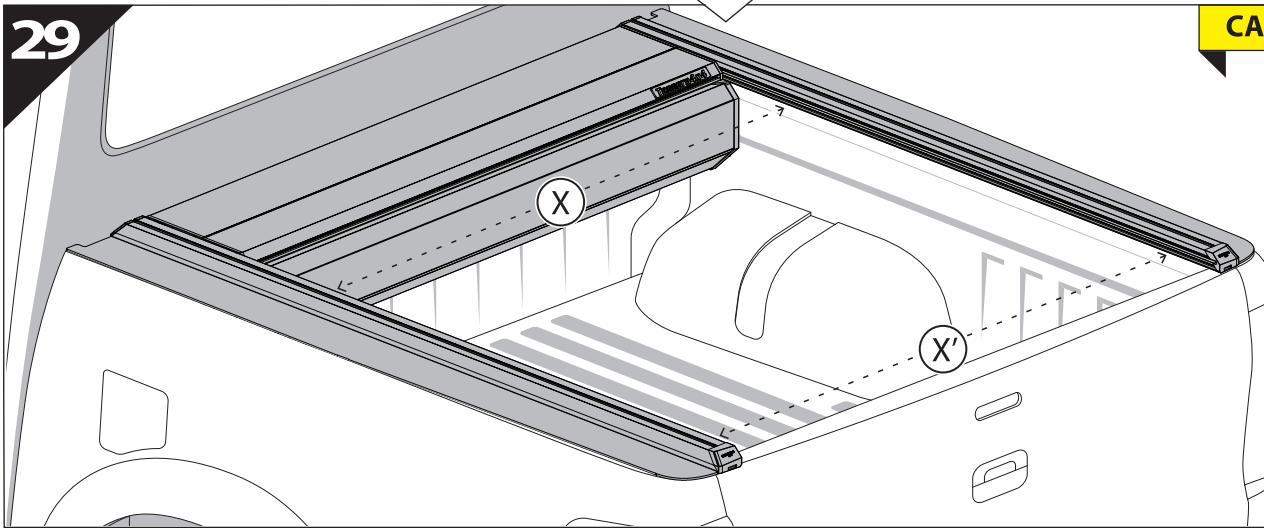
G



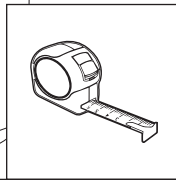
28



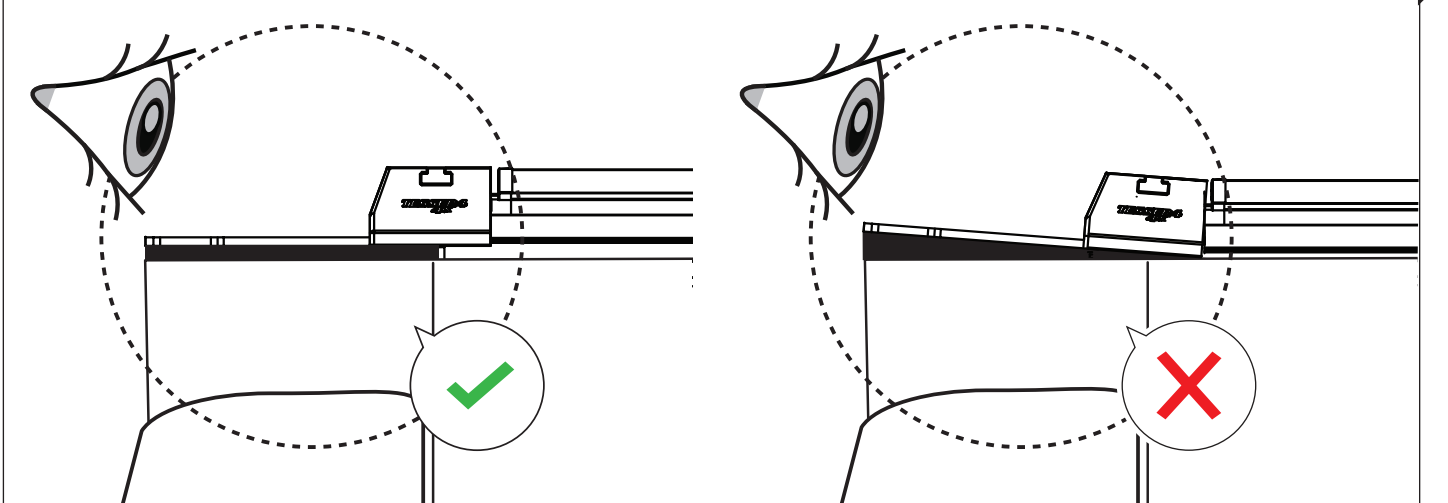
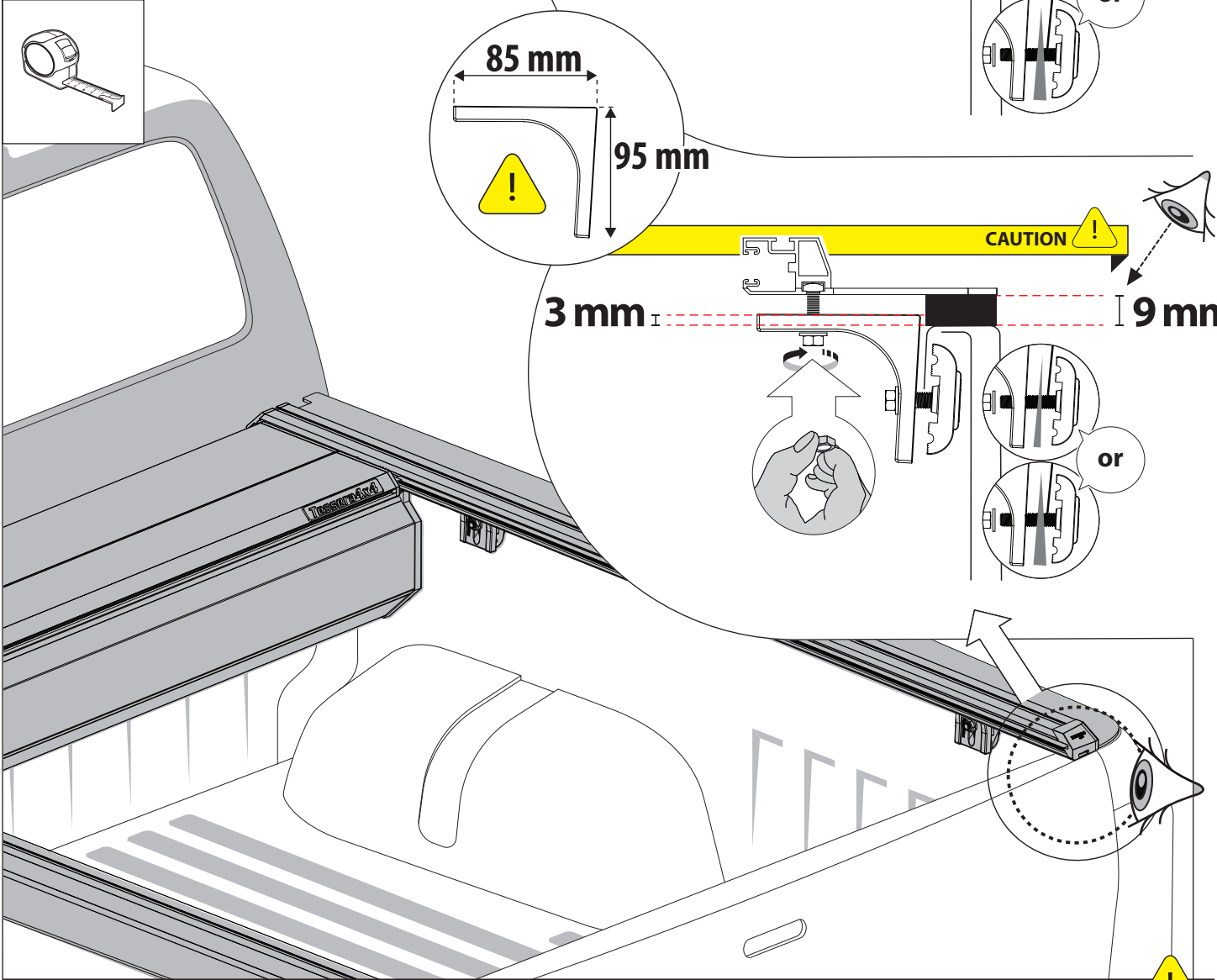
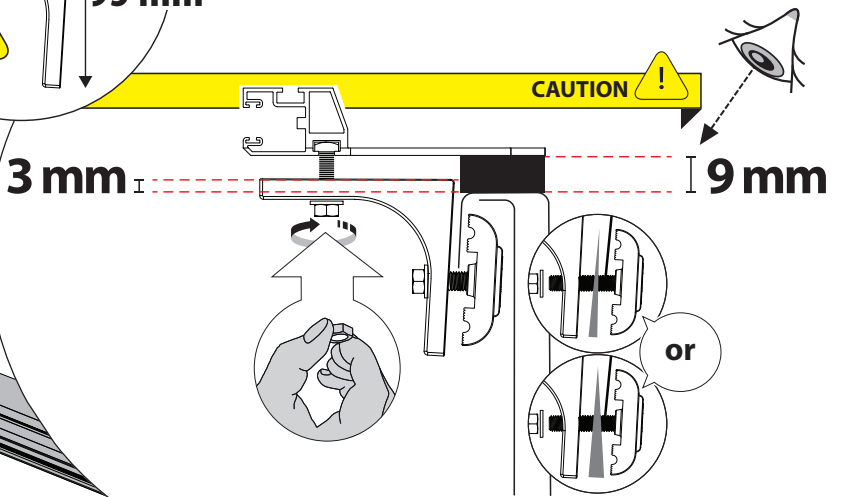
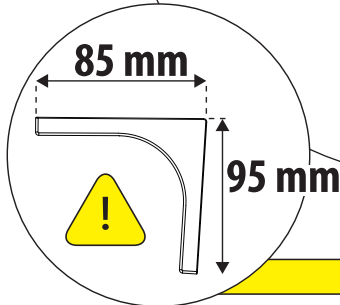
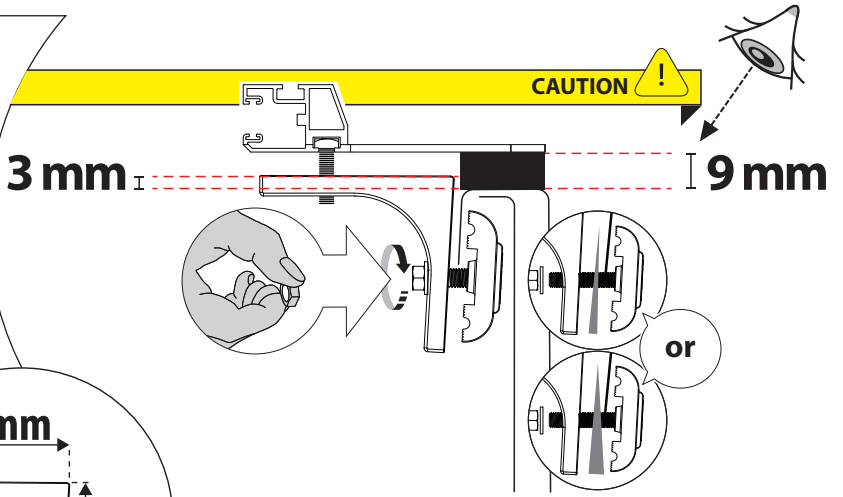
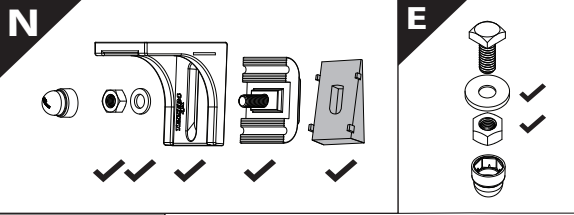
29

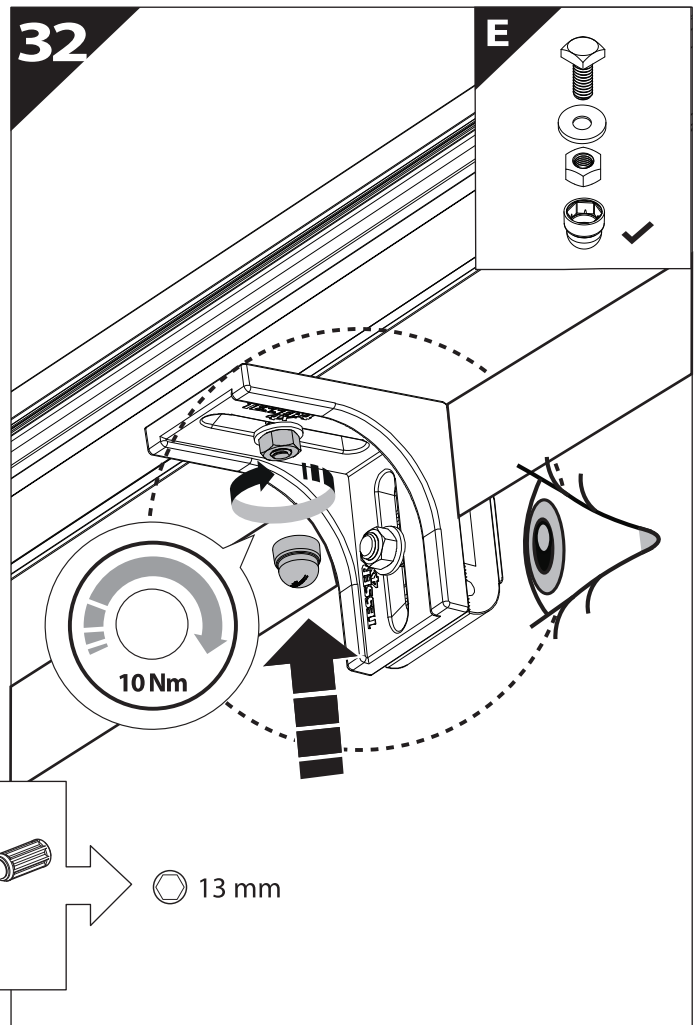
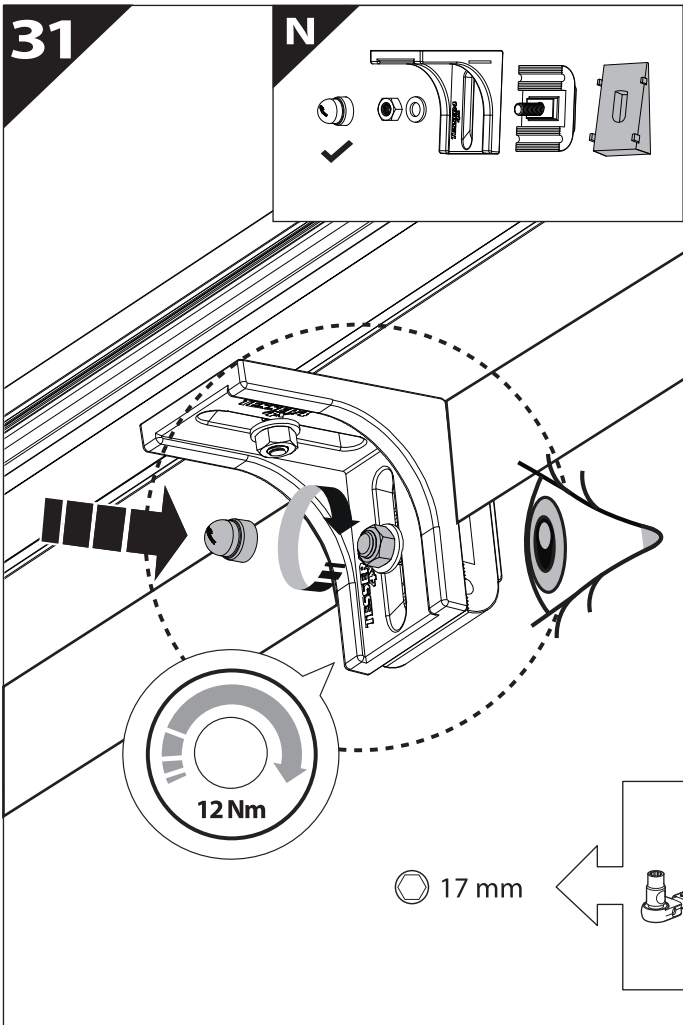


CAUTION !

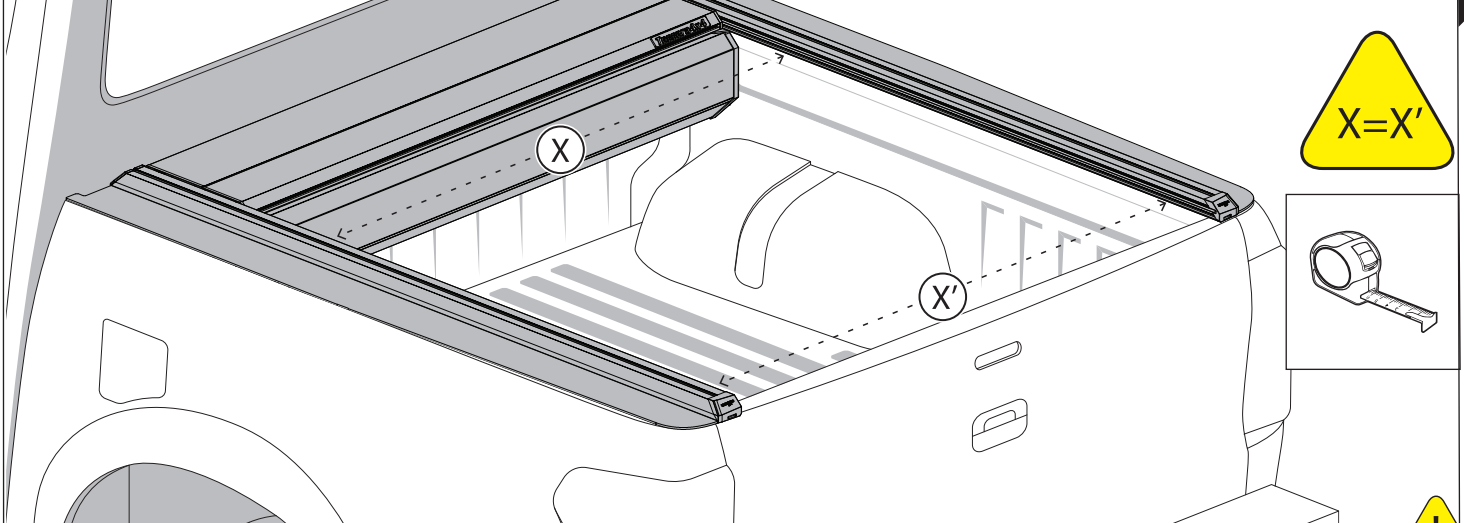


30

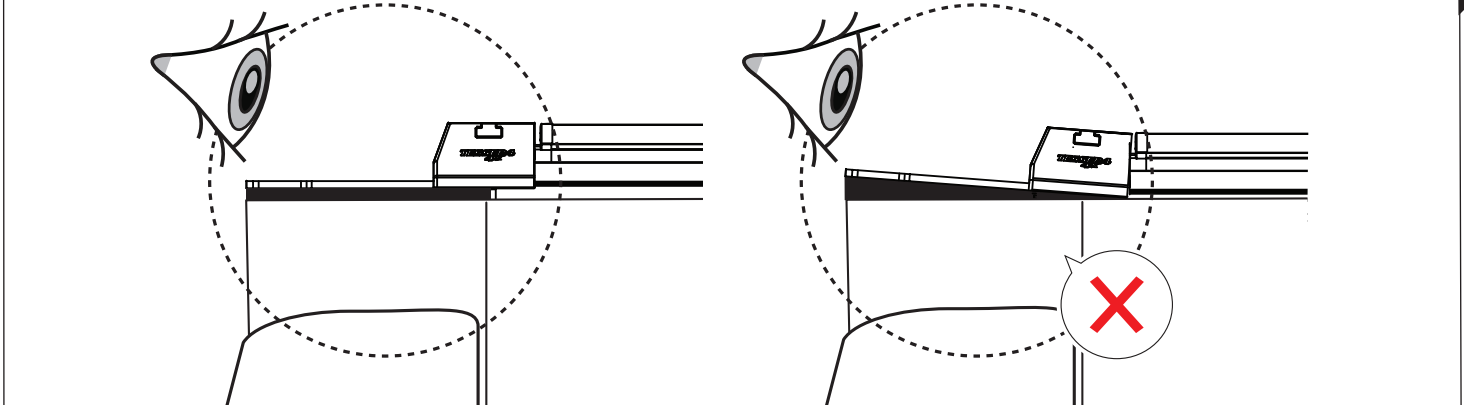




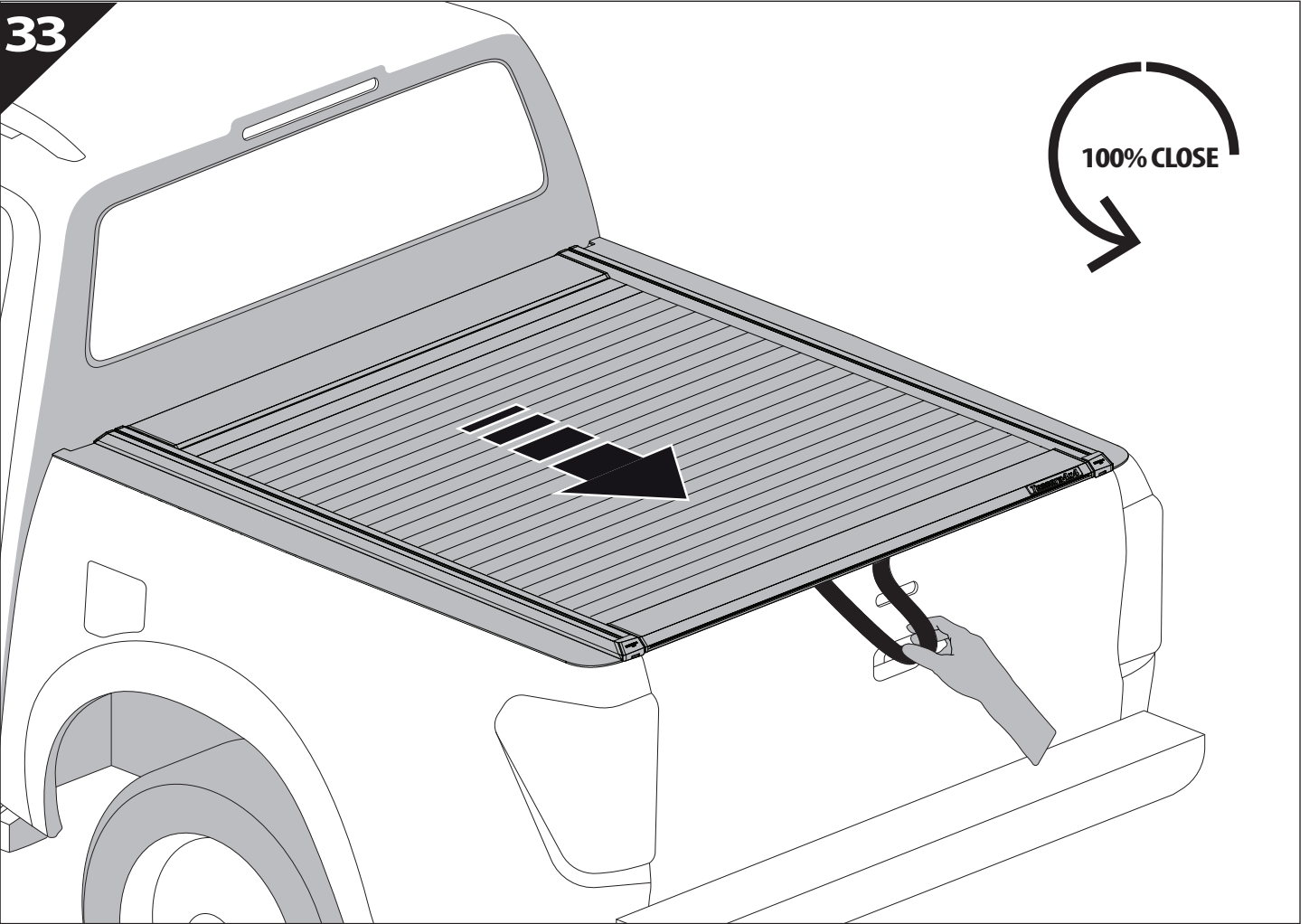
CAUTION !



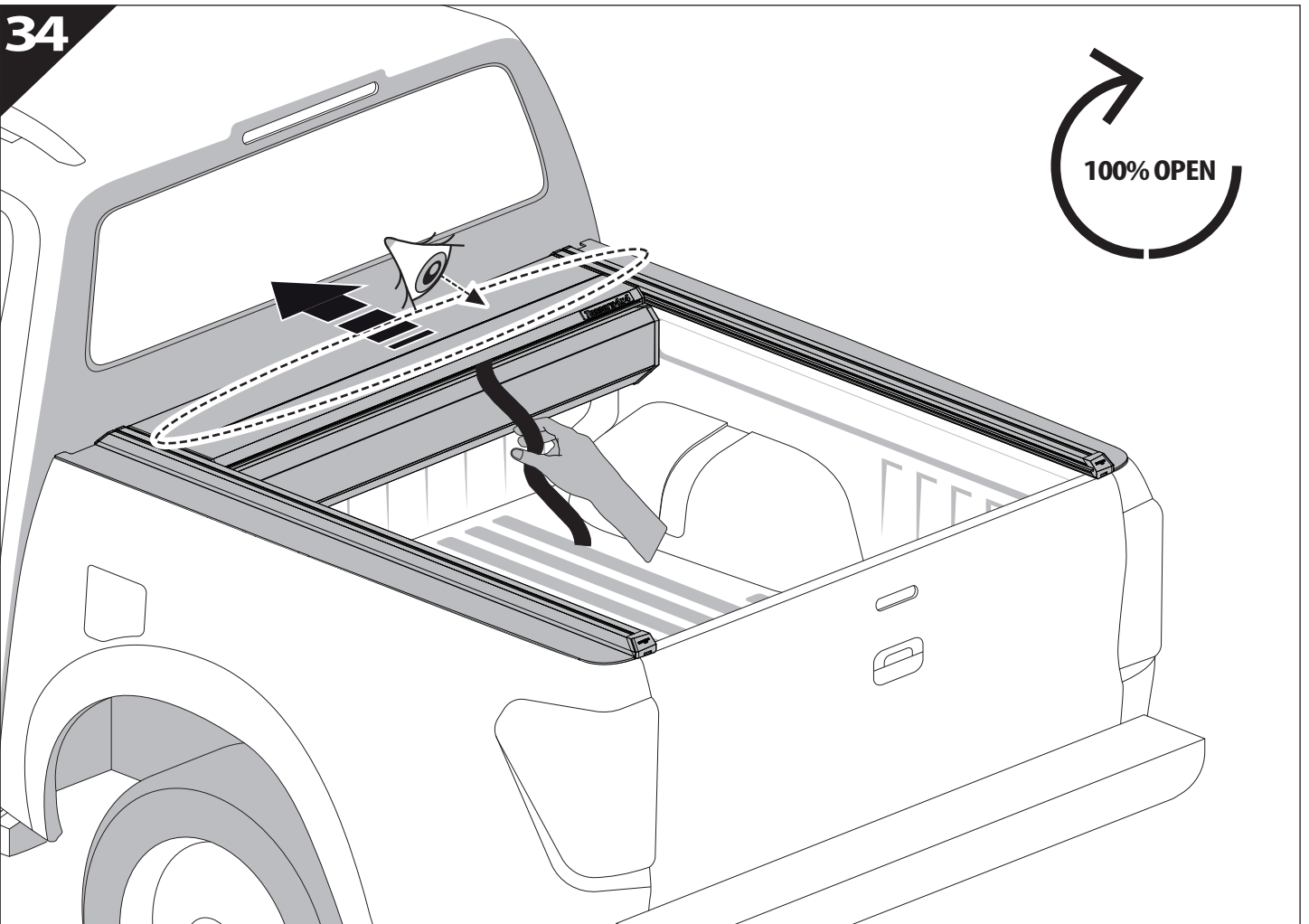
CAUTION !



33



34





GR: Οδηγίες Εγκατάστασης
GB: Installation manual
SF: Asennusohje
F: Notice de montage
PL: Instrukcja montażu
NL: Installatie-instructies
TR: Montaj Talimatı
S: Monteringsanvisning
E: Instrucciones de montaje

H: Szerelési utasítás
P: Instruções de instalação
RUS: Инструкция по установке
N: Monteringsveiledning
D: Einbauanleitung
CZ: Návod k instalaci
I: Istruzioni de montaggio
DK: Monteringsvejledning
RO: Instructiuni de instalare

Customer Service:

+30 (210) 5541161, +30 (210) 5541154 (08:00 - 16:00 EET)

Support department:

info@gianso.gr

Website:

www.tessera4x4.com

Address:

19.5 km of National road Athens-Korinthos (Elefsina) Greece, P.C: 19200