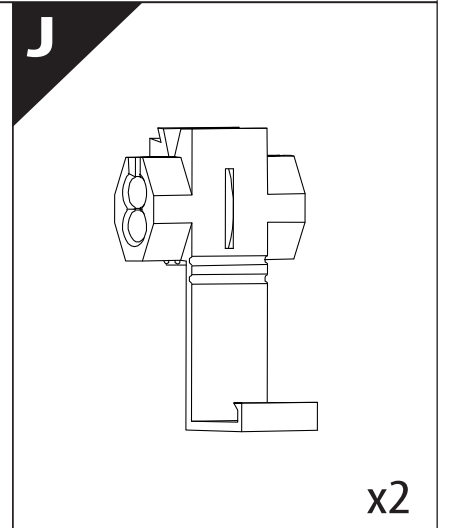
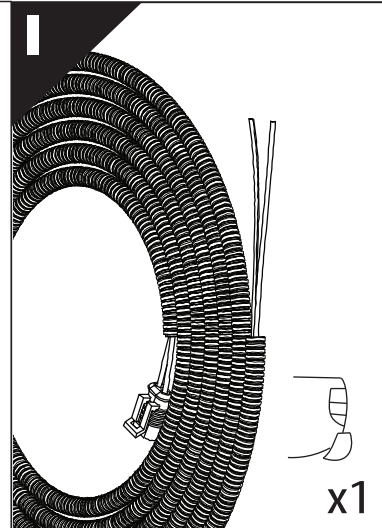
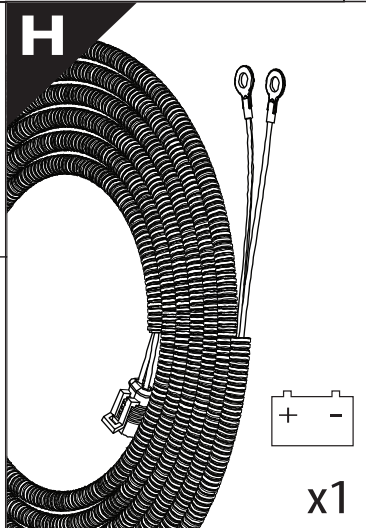
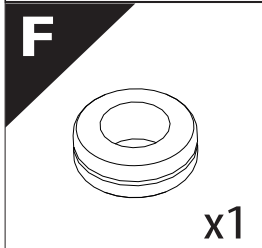
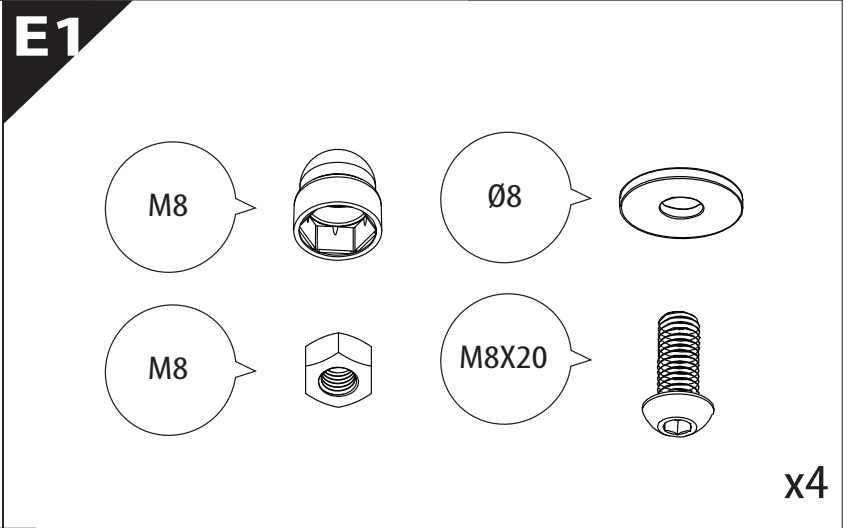
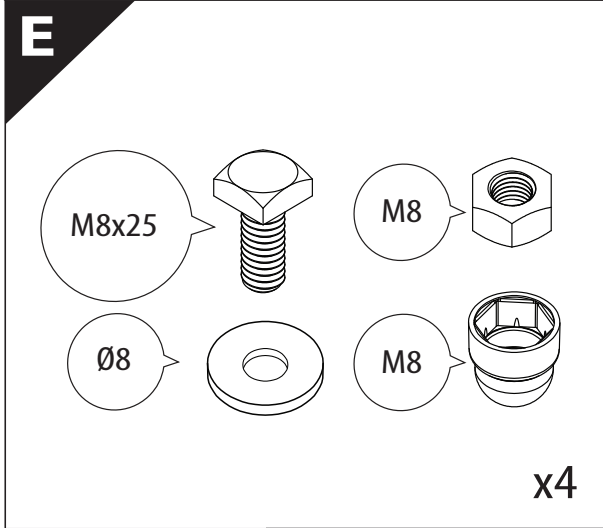
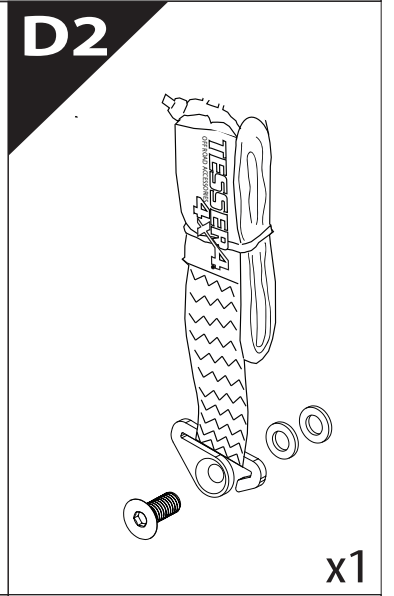
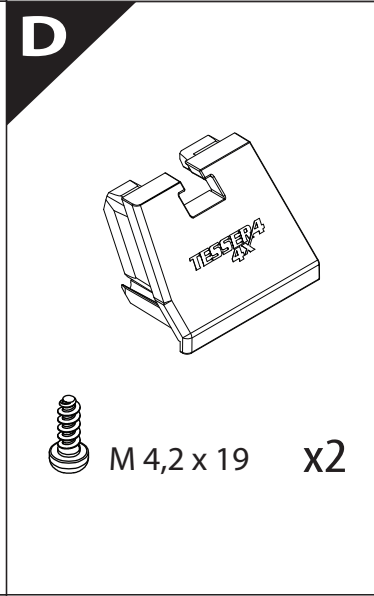
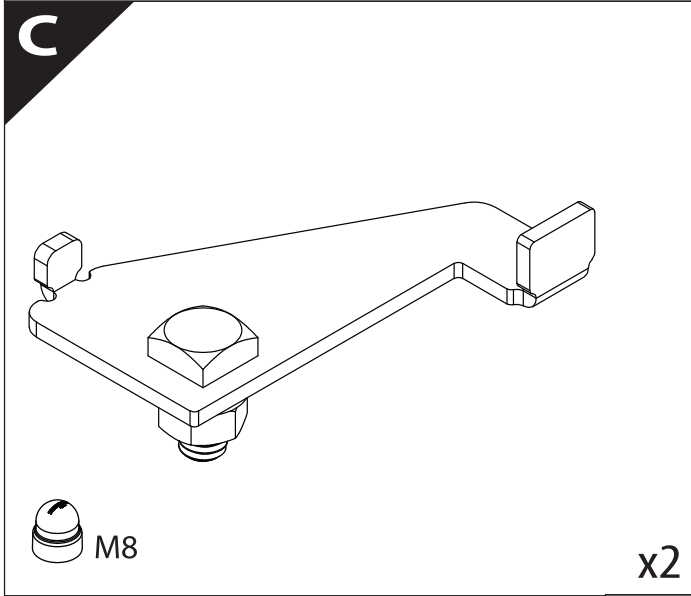
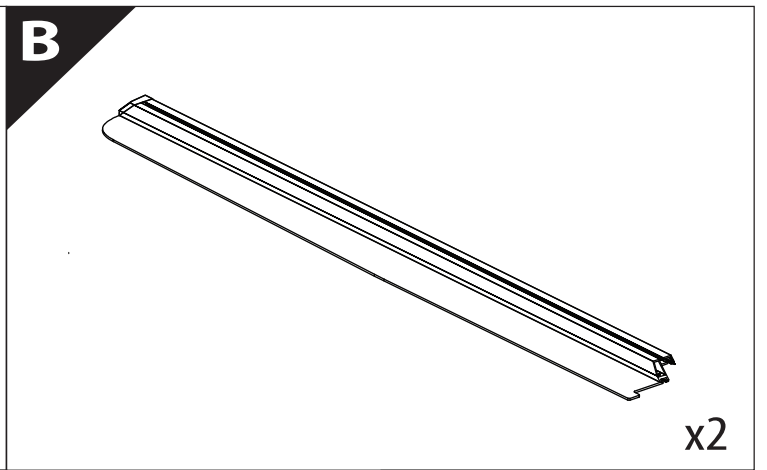
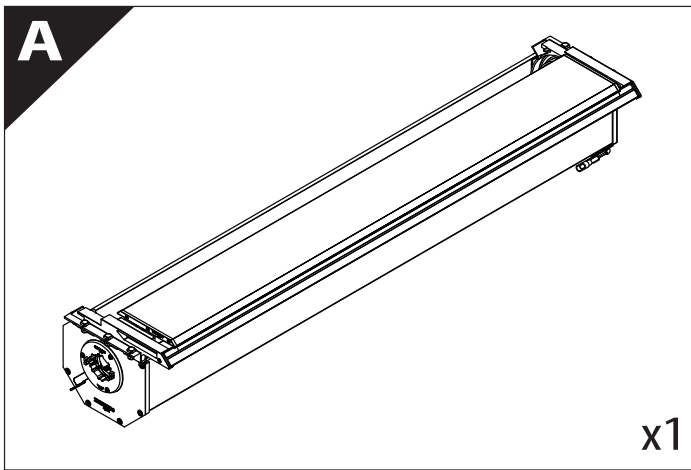
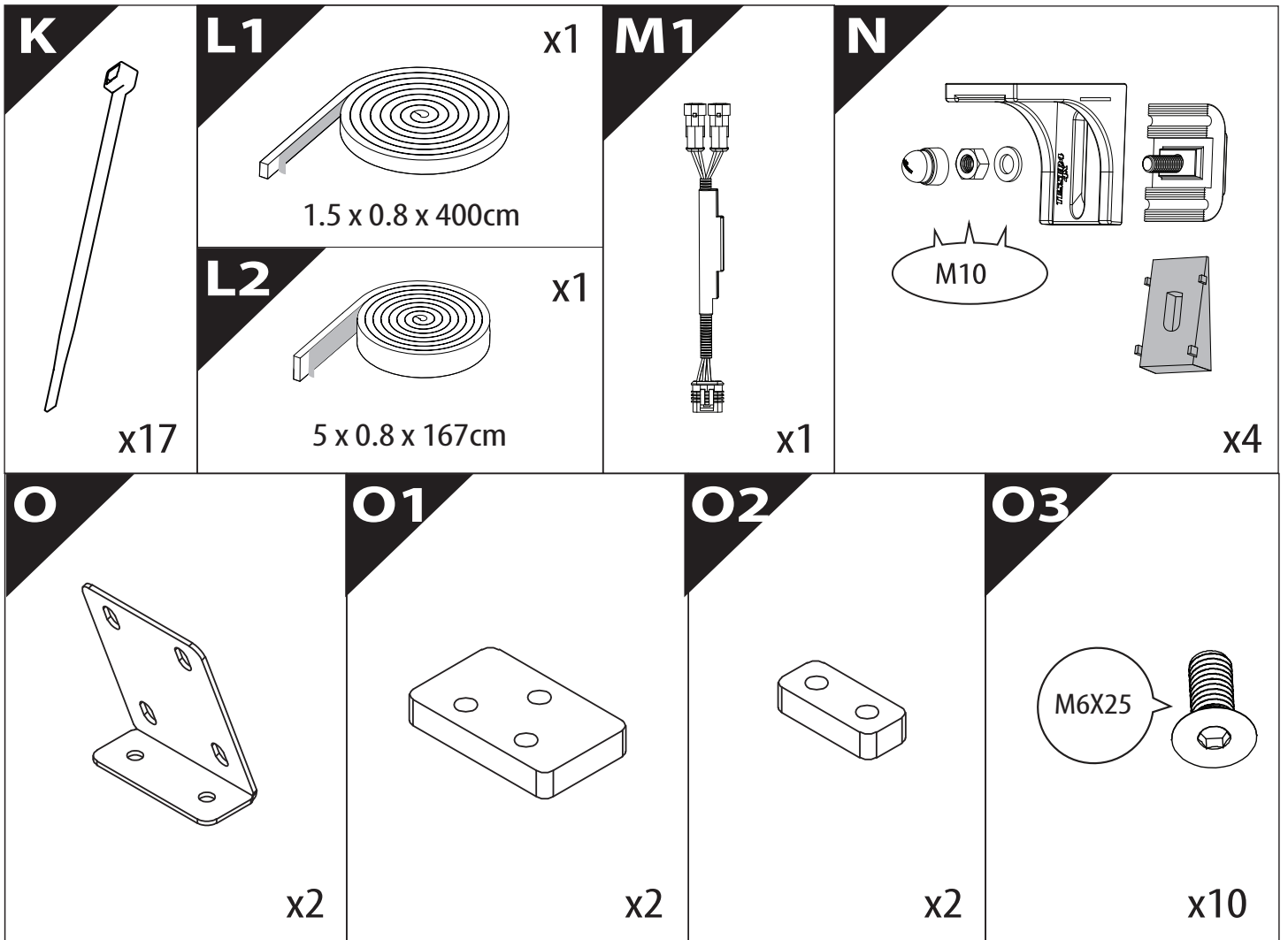
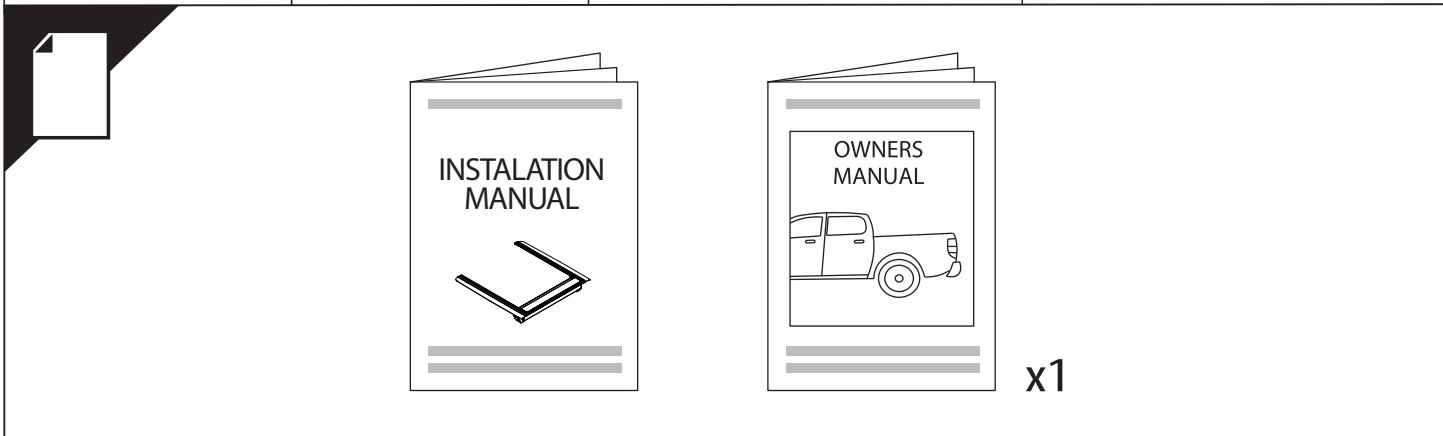
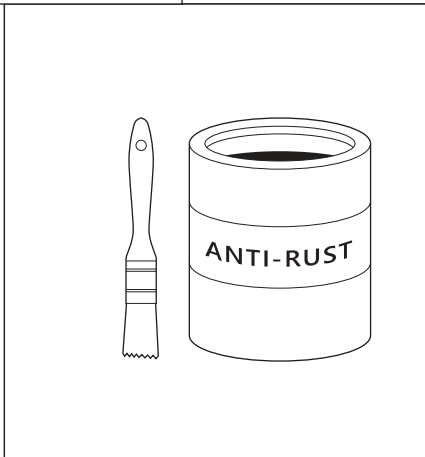
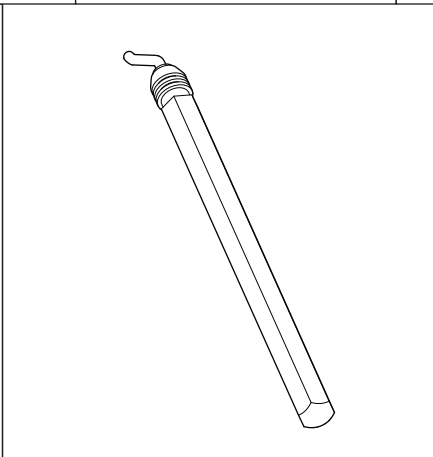
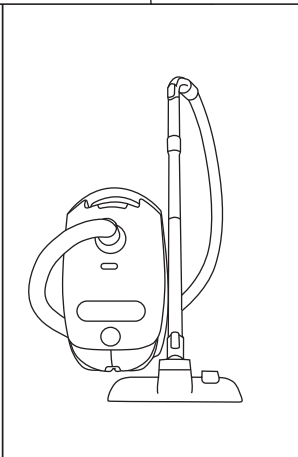
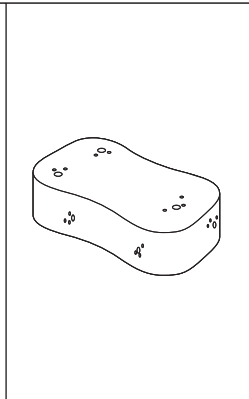
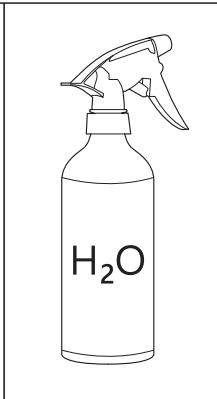
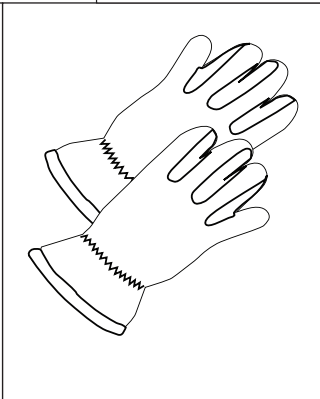
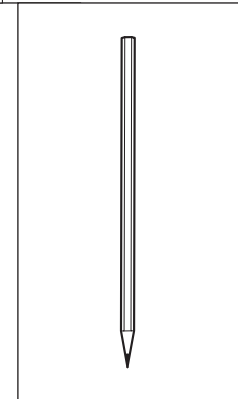
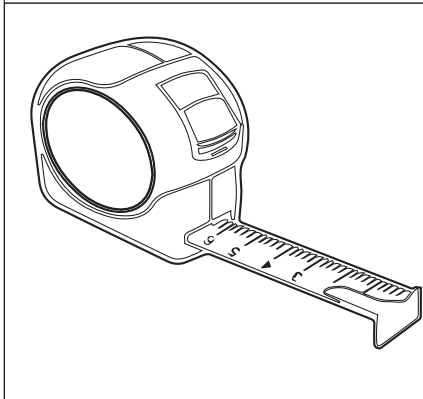
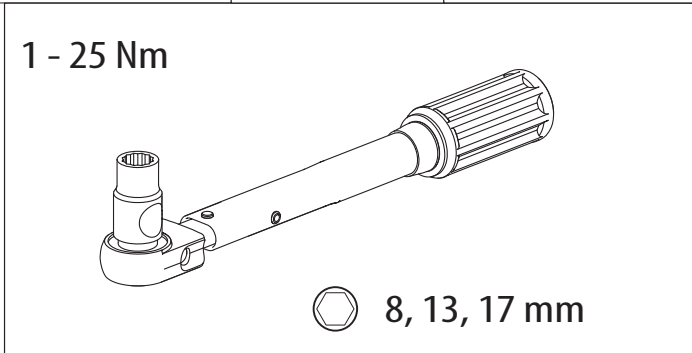
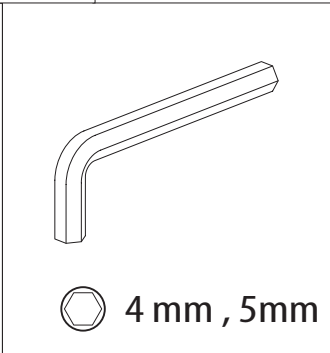
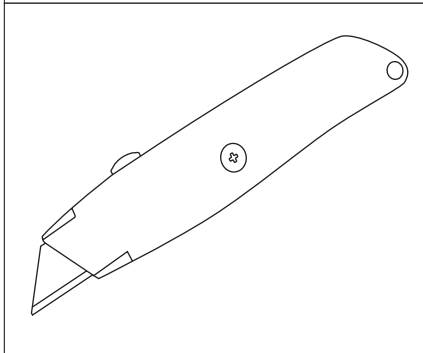
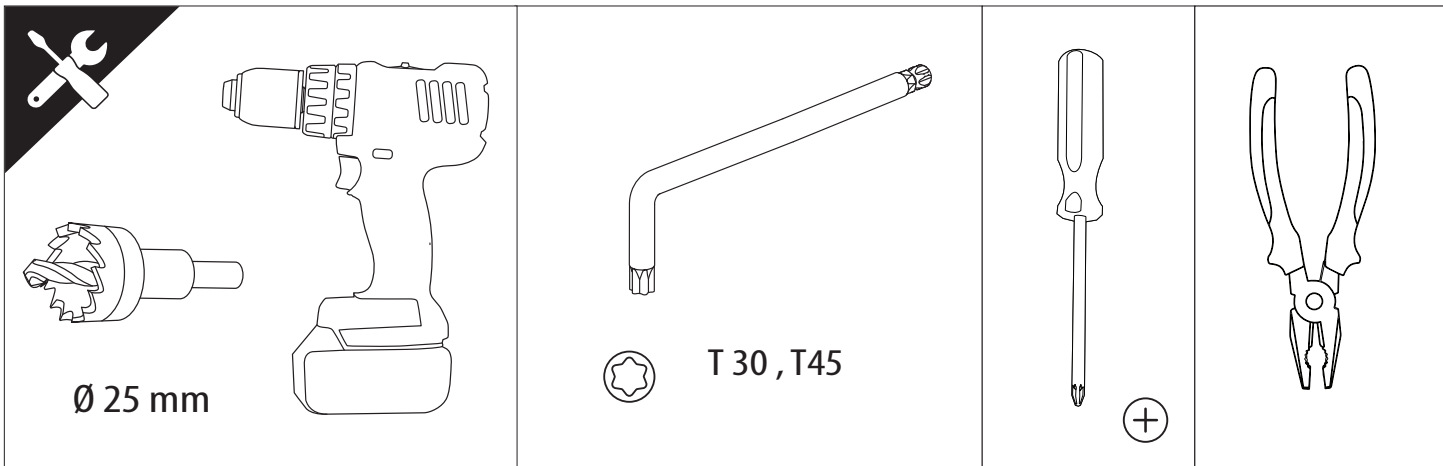


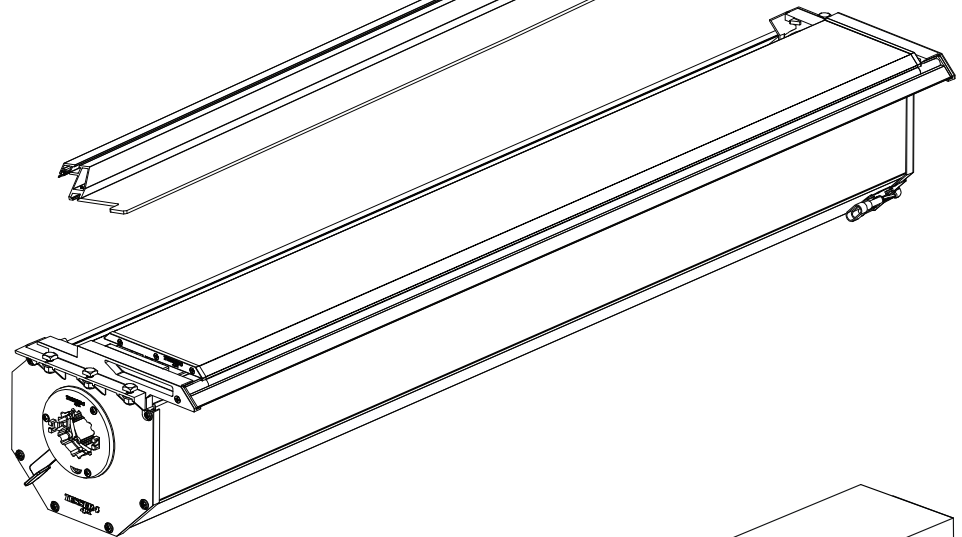
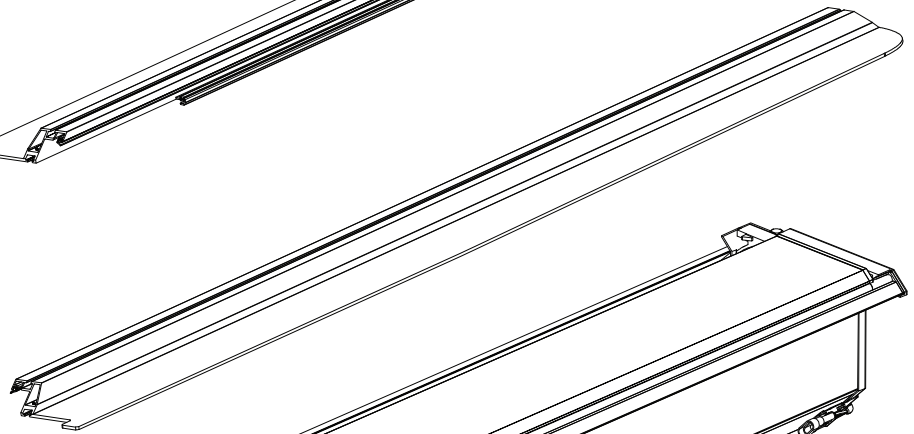
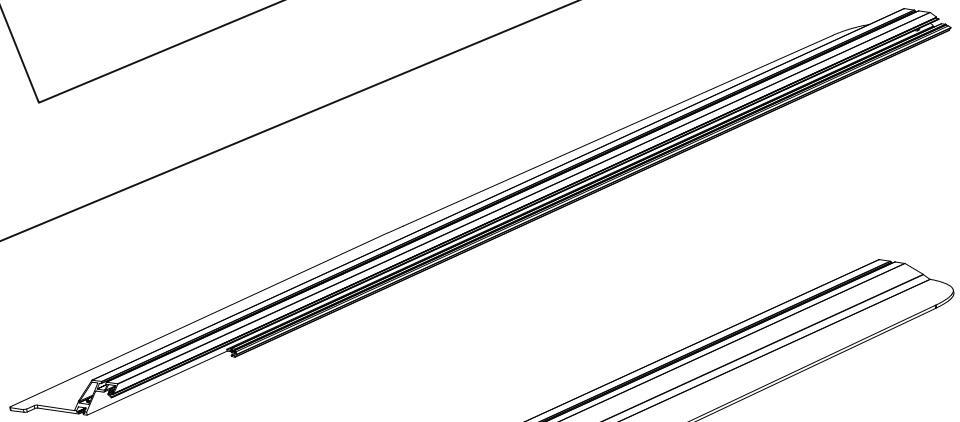
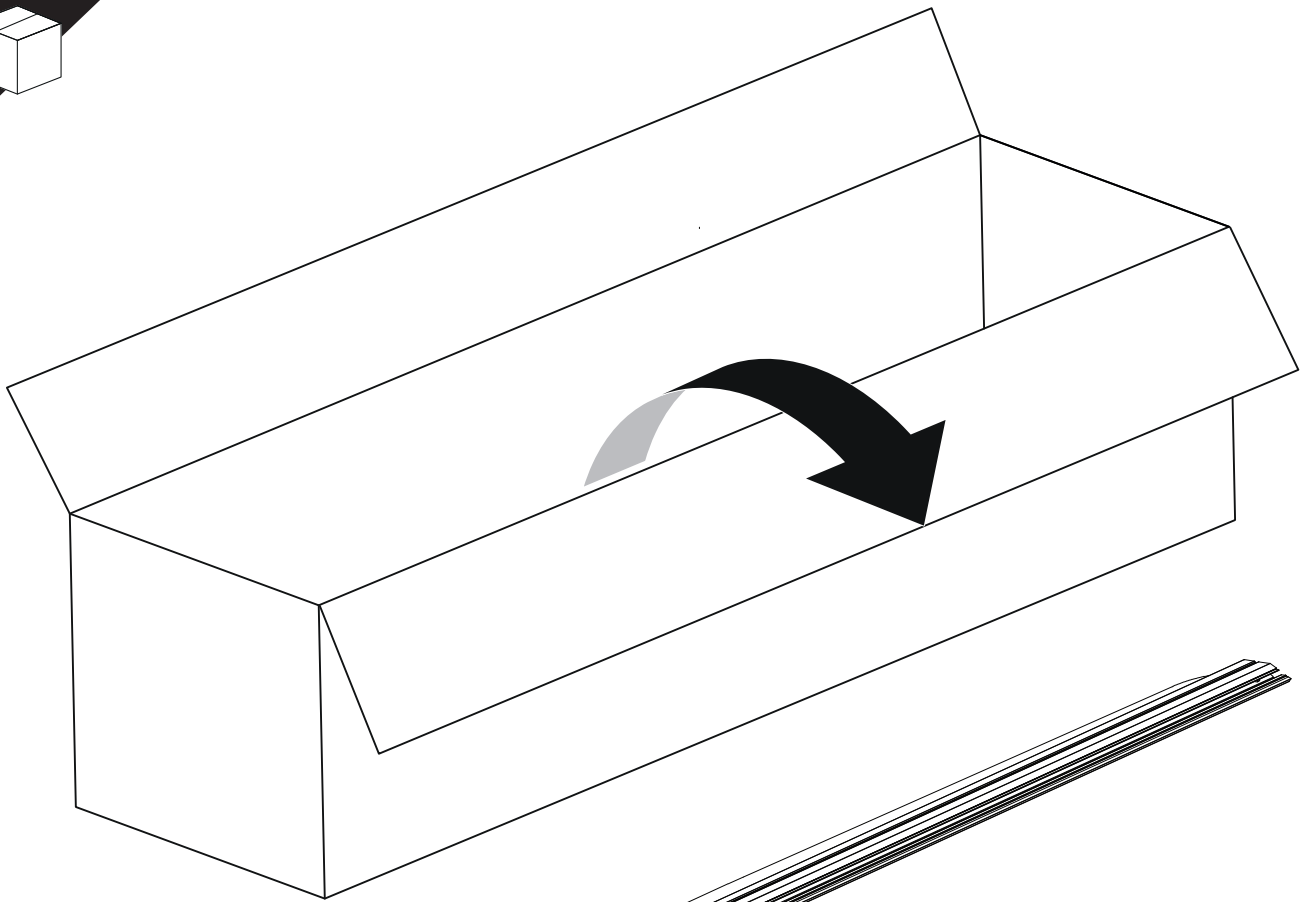
Installation Manual

PART NUMBER(S)	Model Year
TESS 14451 ROLL	Maxus T60 MAX PLUS 2025+ with MAXUS OEM Roll Bar
Cab(s)	Installation Time / Weight
Double Cab	40-60 minutes / 53-57 kg





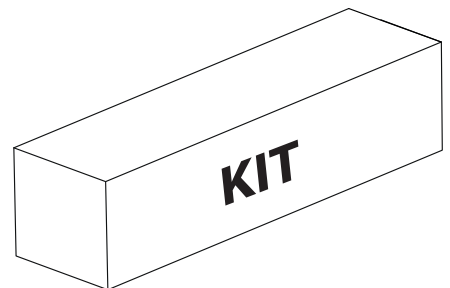




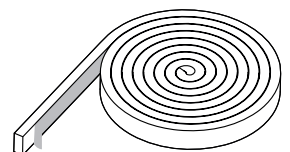
B

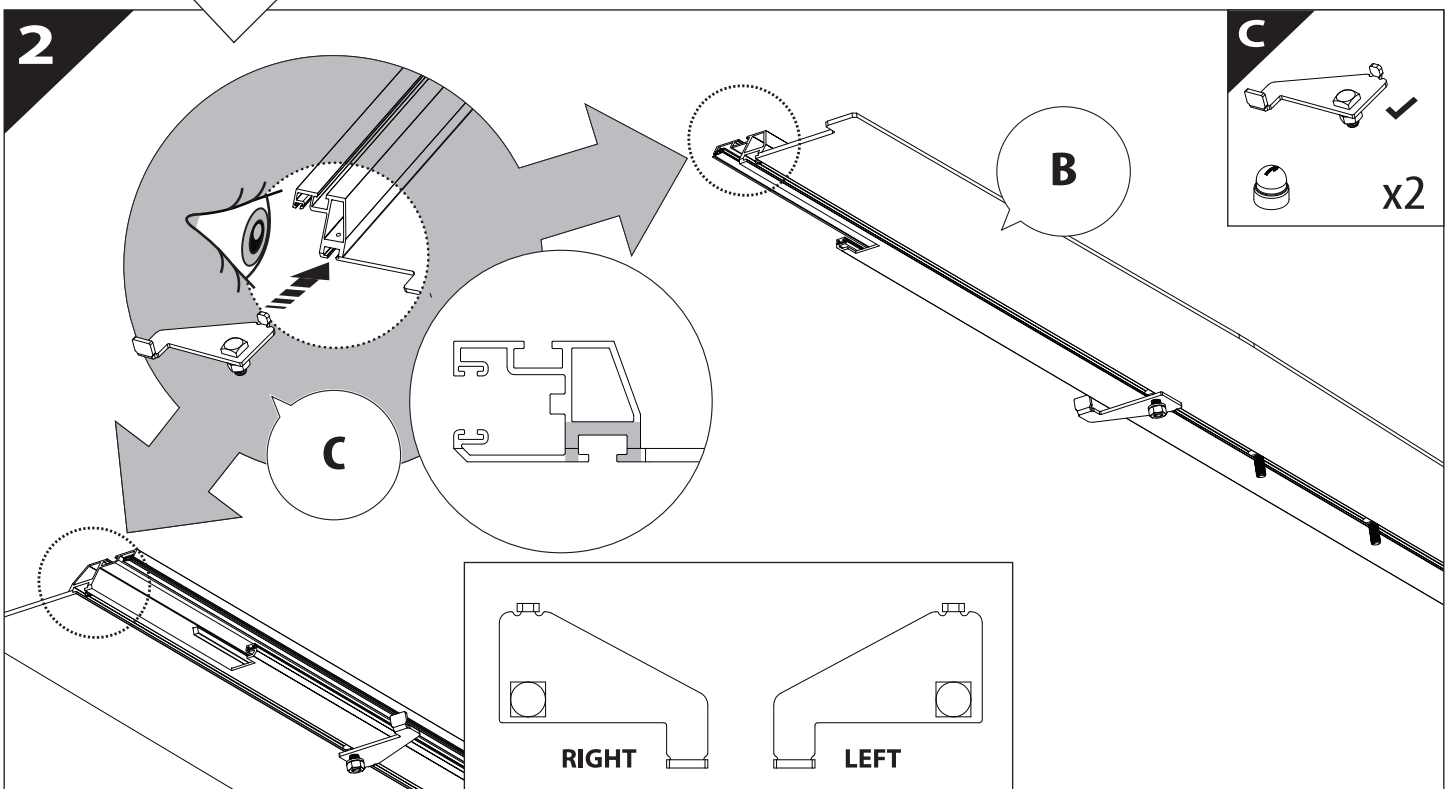
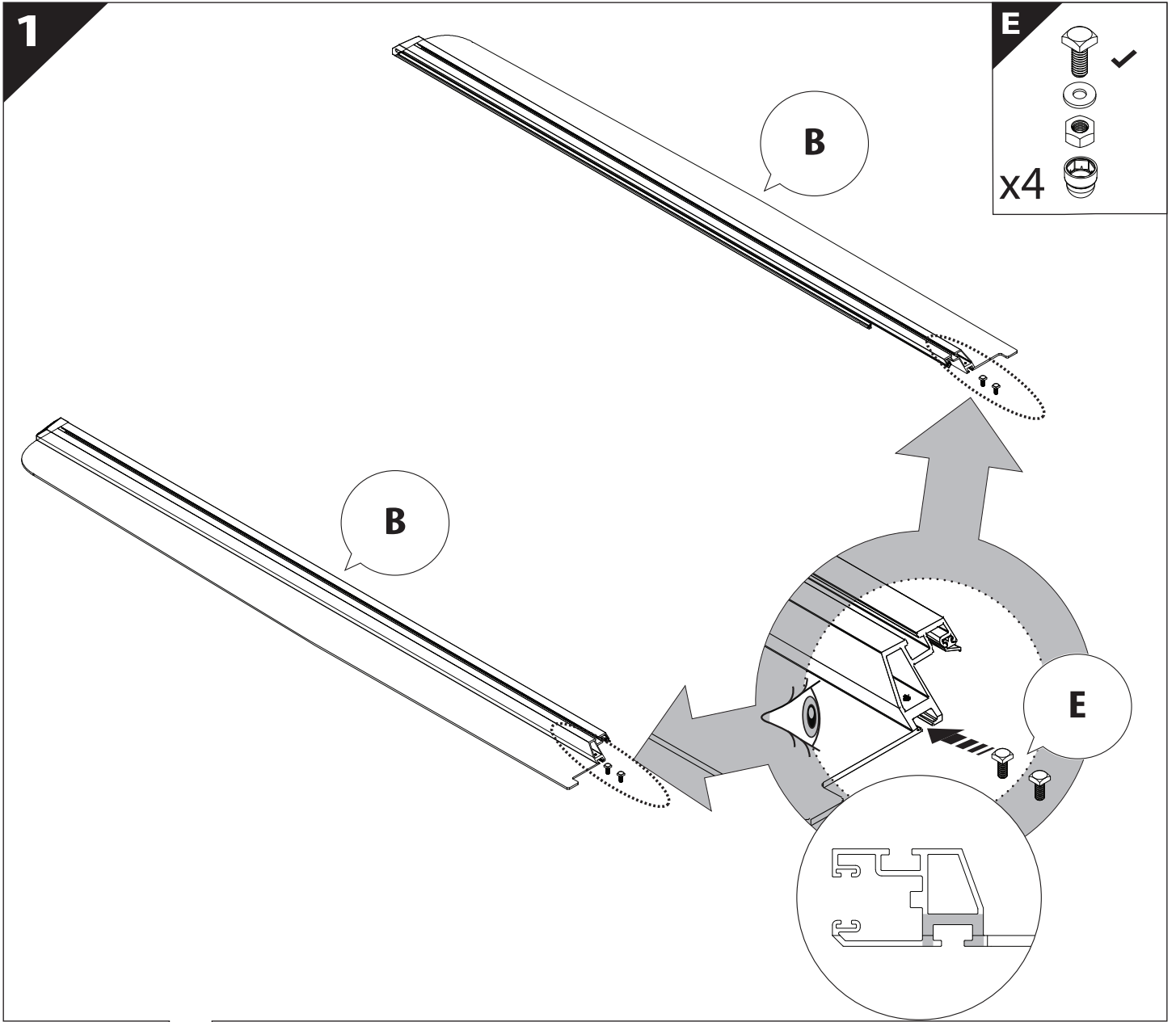
A

KITS

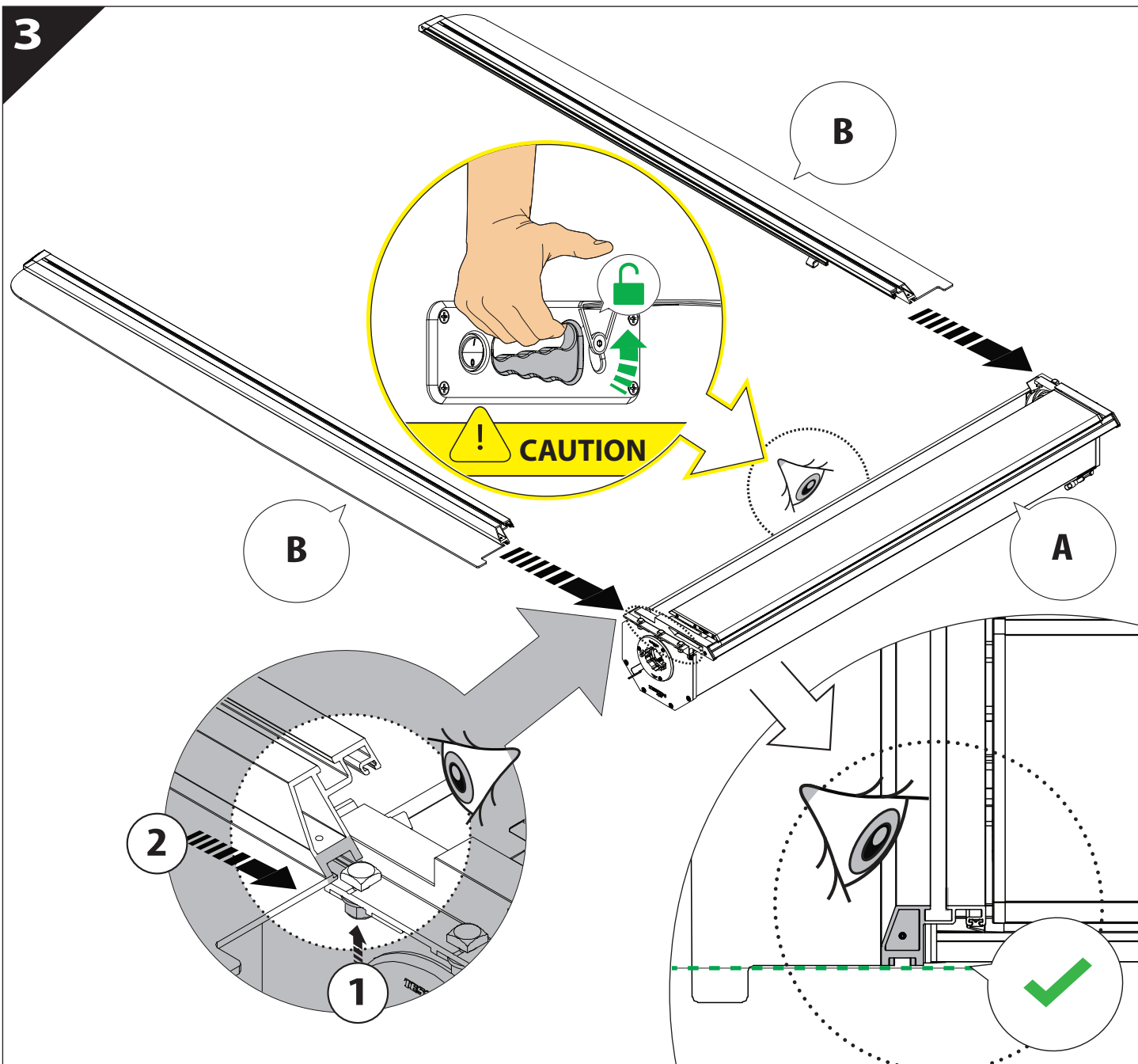


L

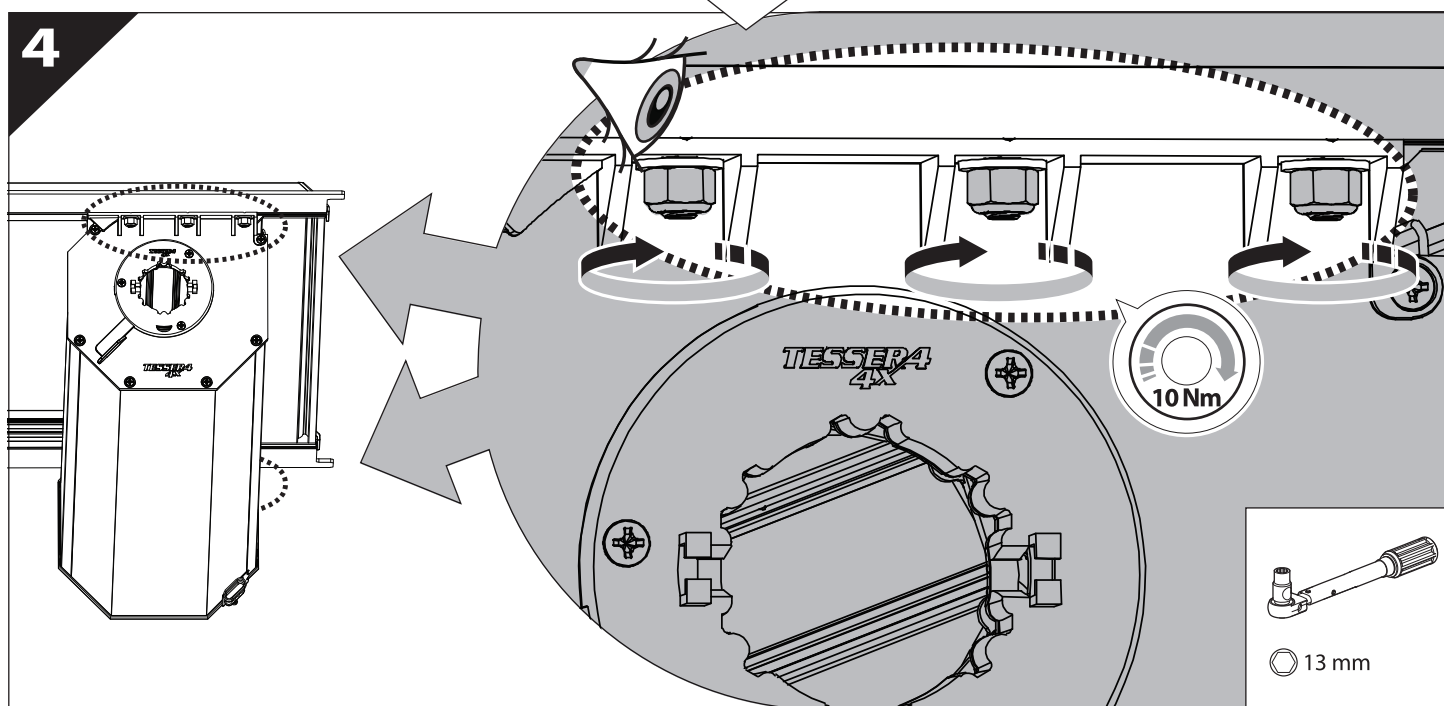


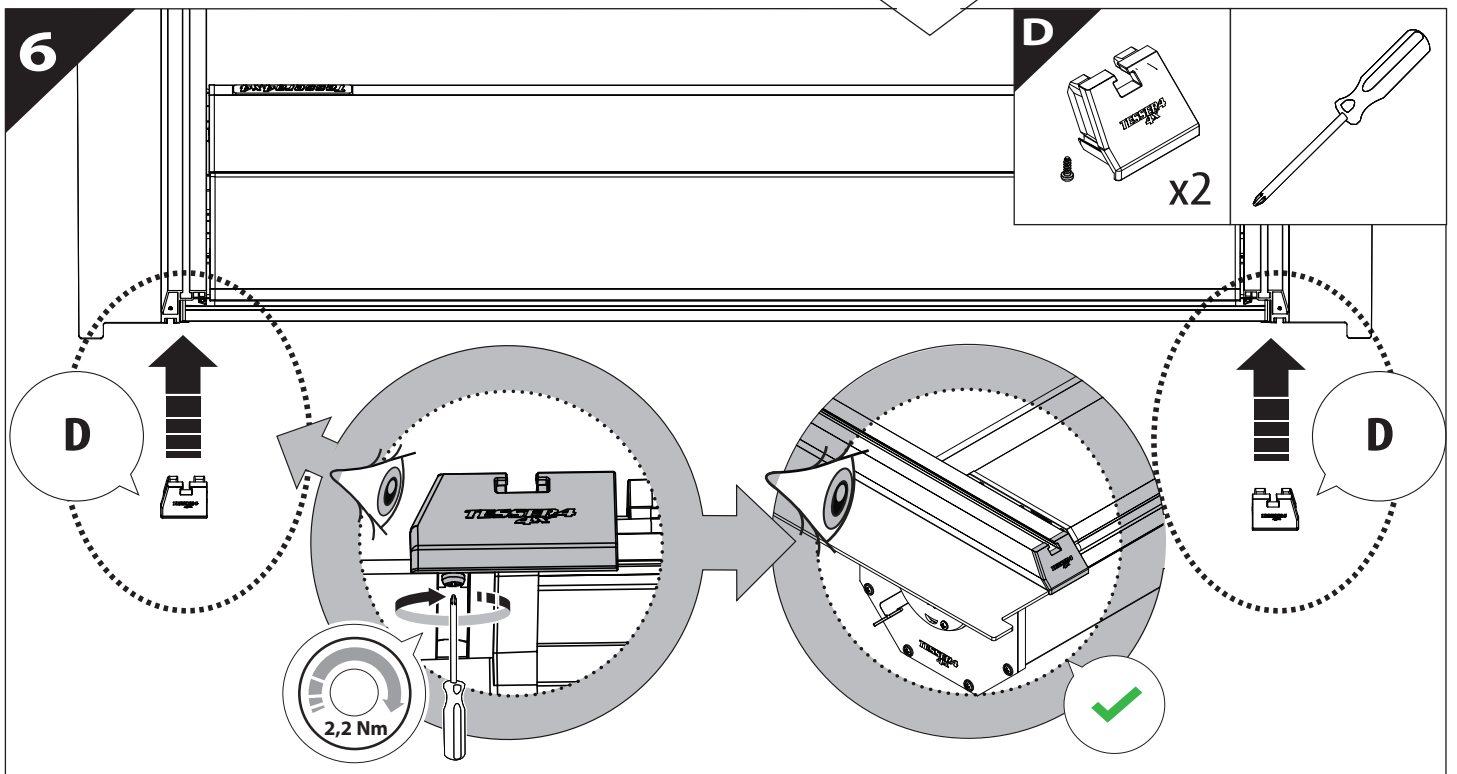
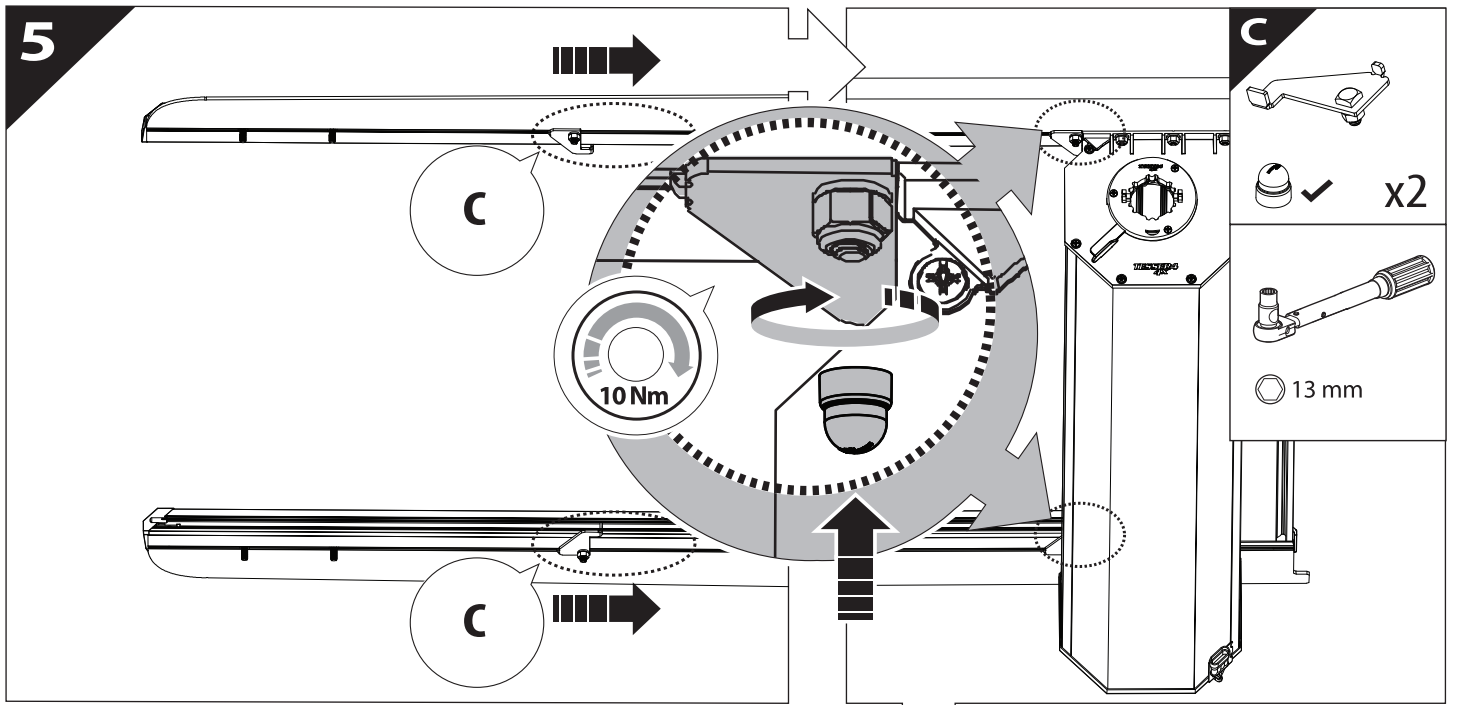


3

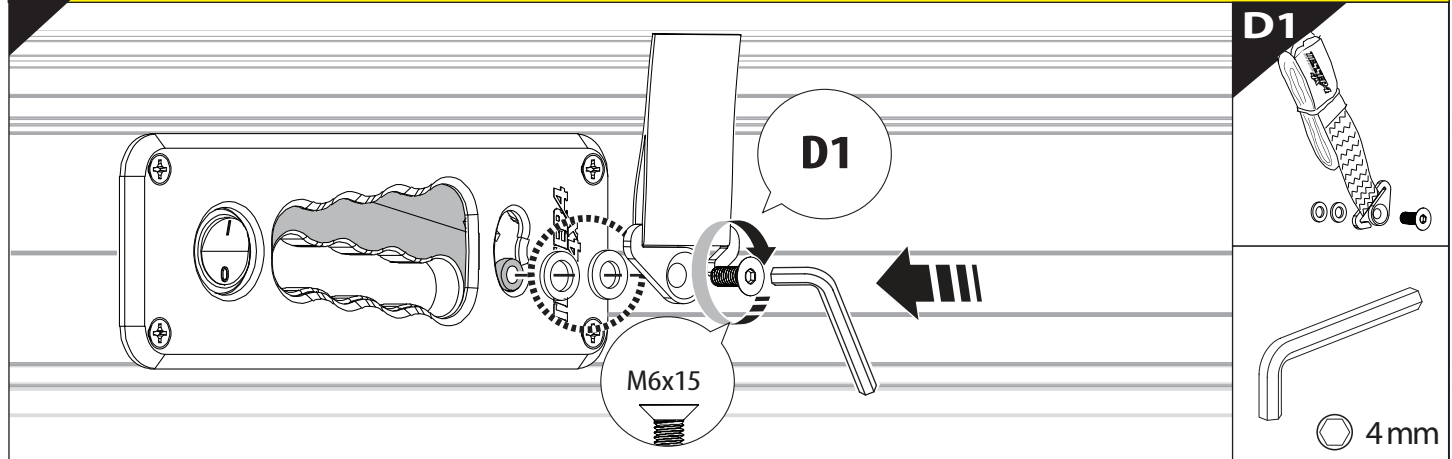


4

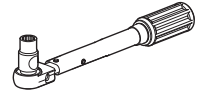
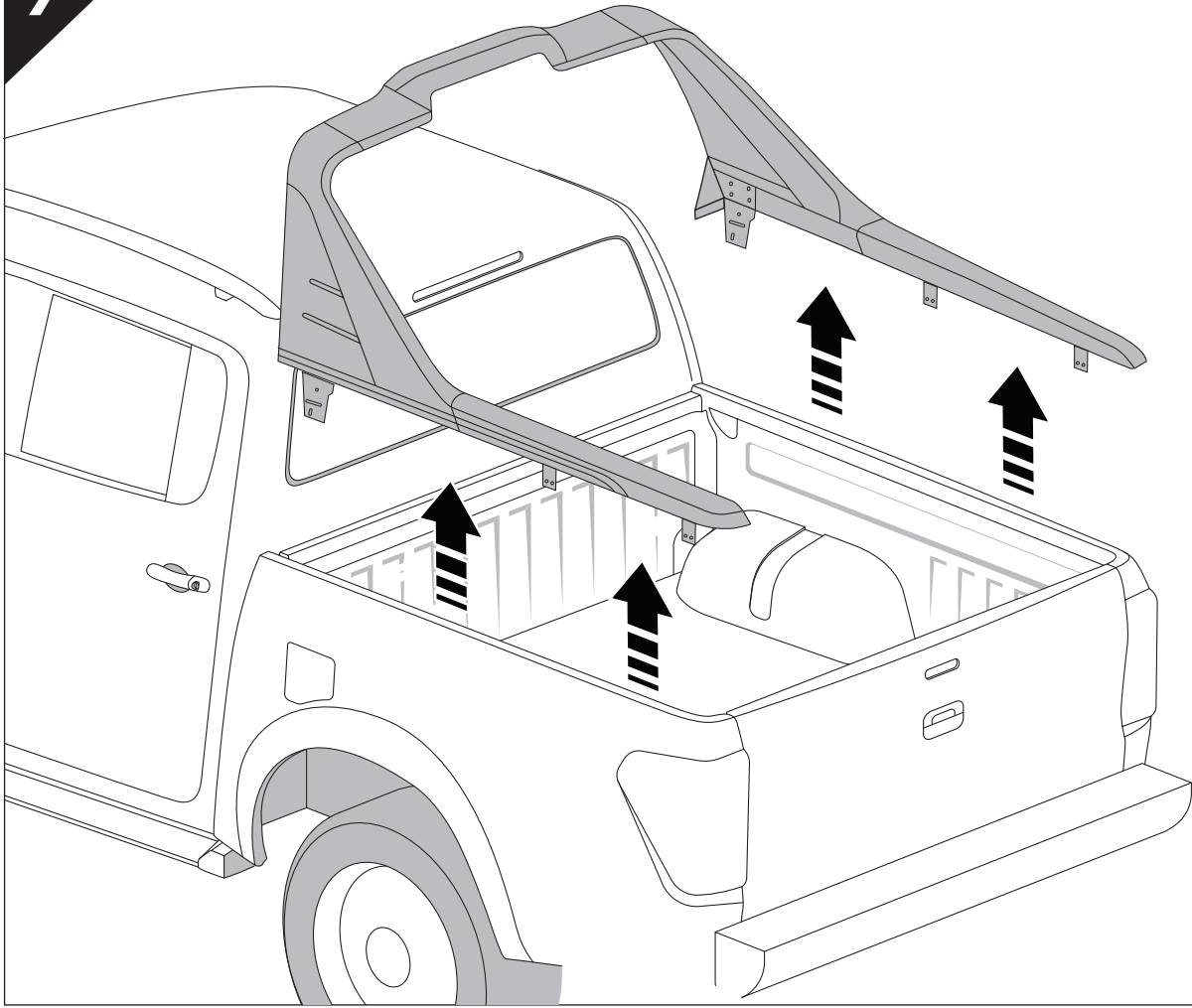




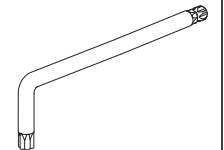
6.1 **!** CAUTION Basic Version ✓ & Basic+S-KIT Version ✓



7



8 mm

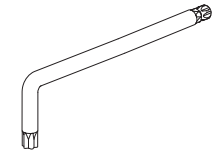


T 45

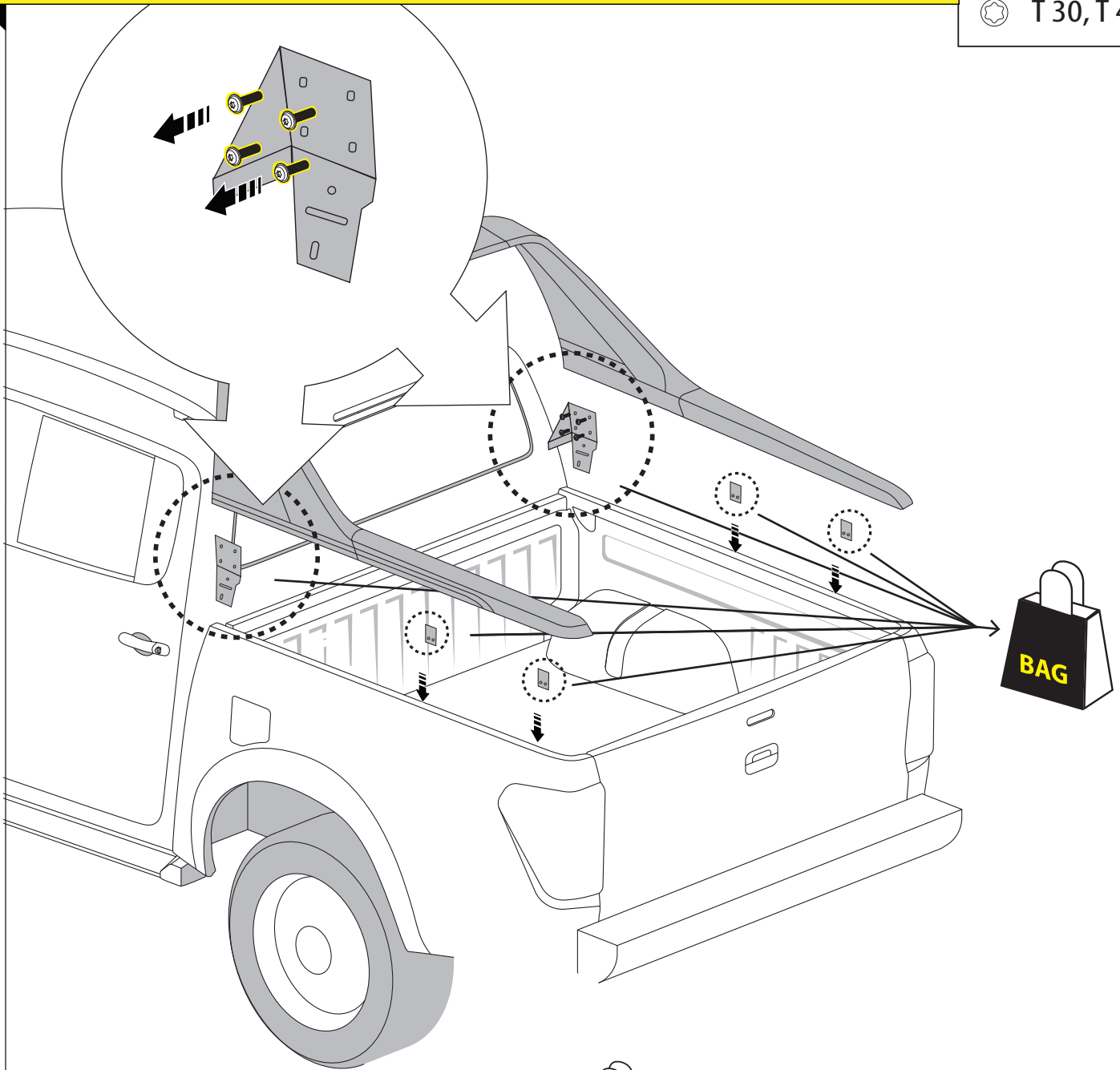
8



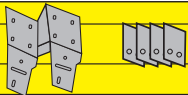
REUSE IN STEP 9



T 30, T 45

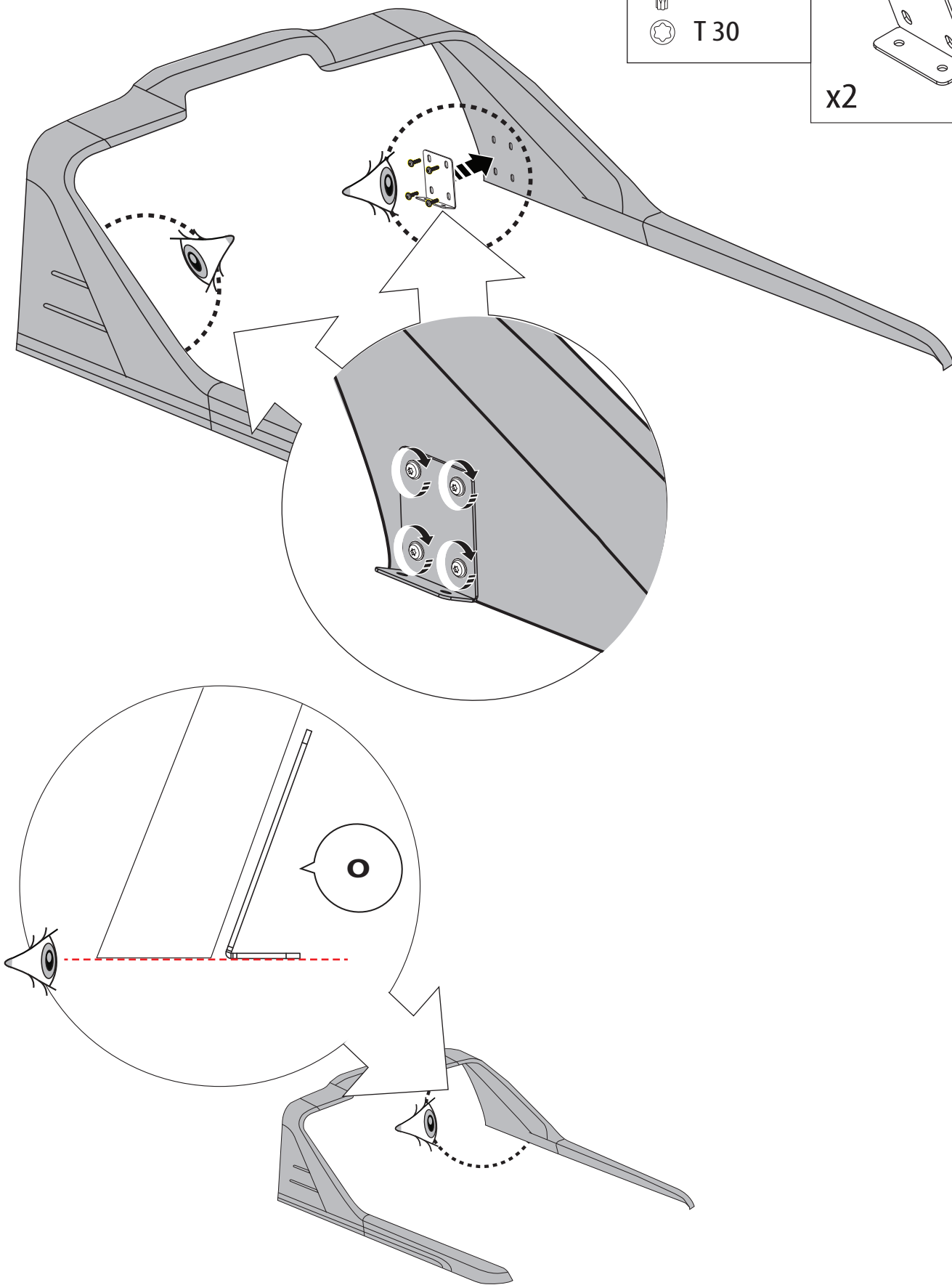
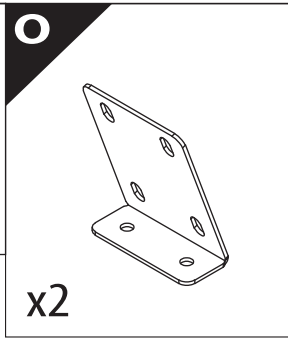
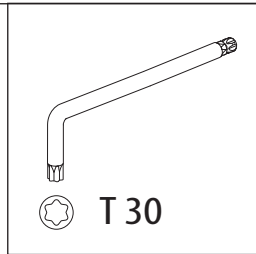


KEEP IN SAFE PLACE

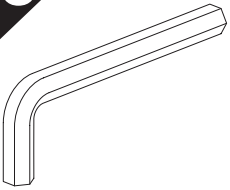
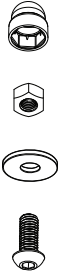
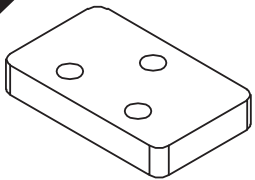
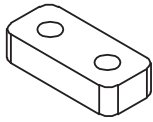
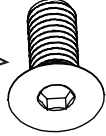


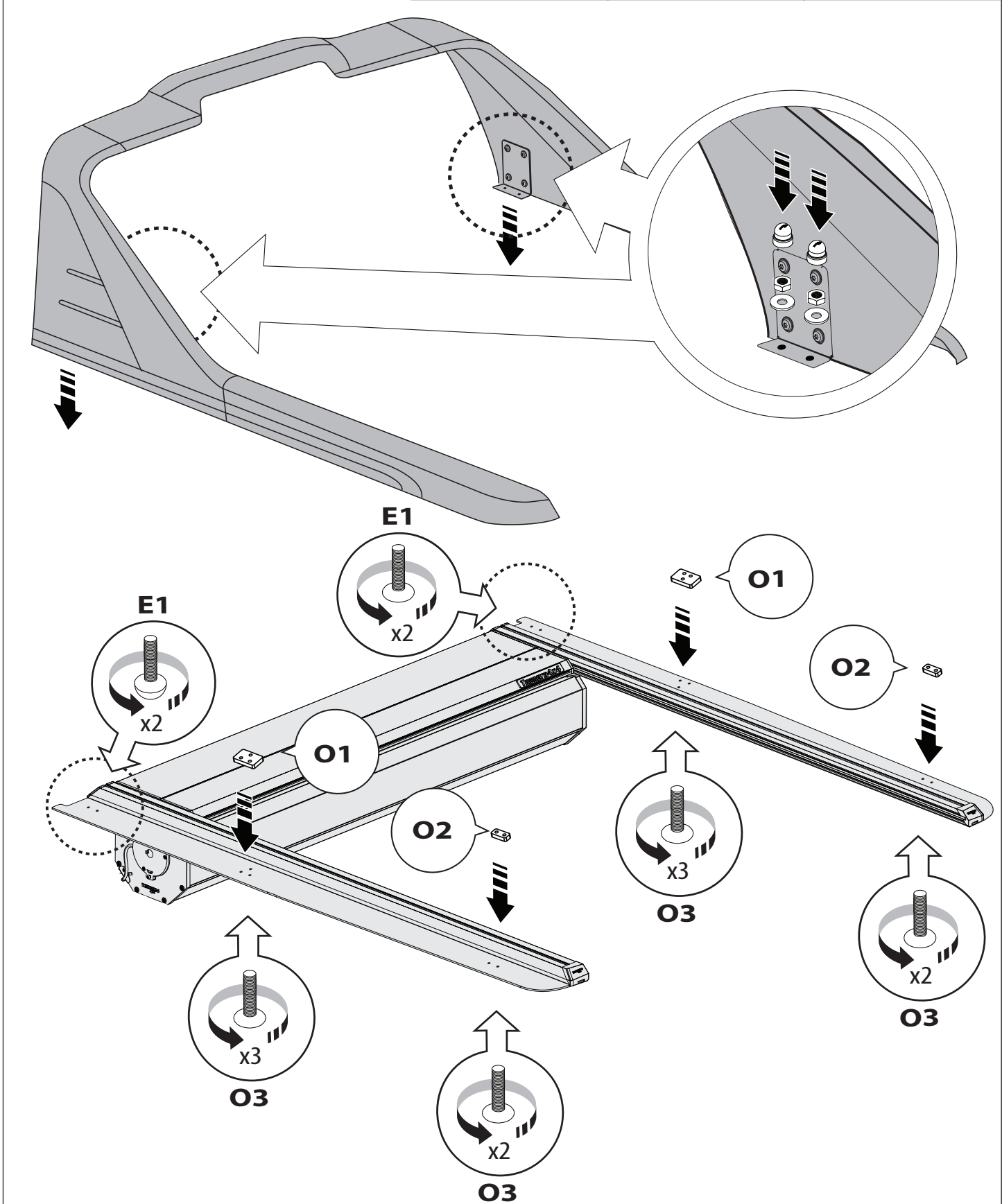
BAG

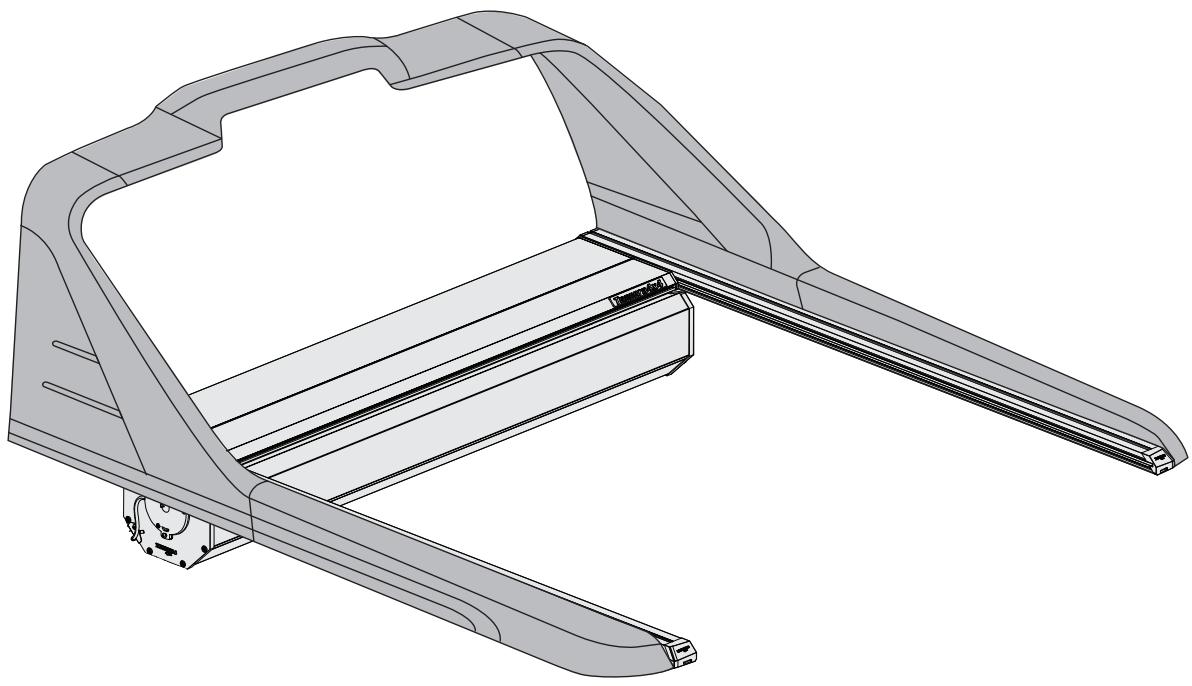
9

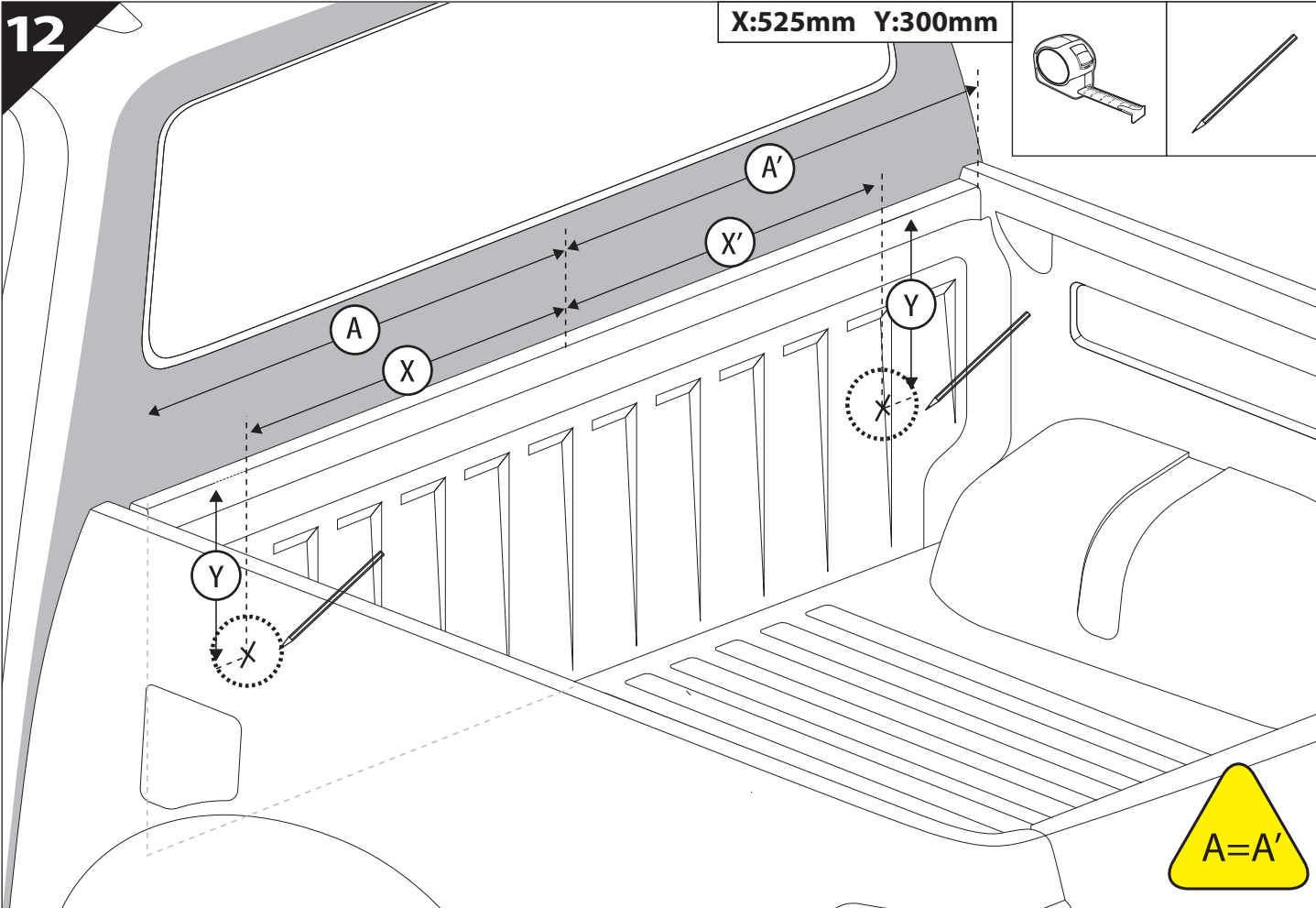


 **USE FROM STEP 8** 

10  4 mm , 5mm	E1  x4	O1  x2	O2  x2	O3  M6X25 x10
--	--	--	--	--







14

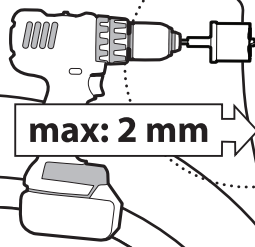


Ø 25 mm




Rust Protection

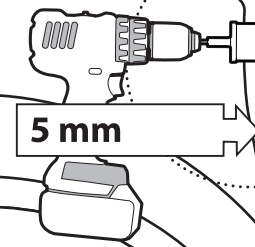
CAUTION



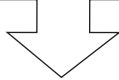
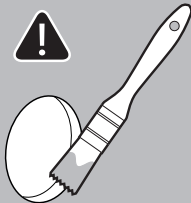


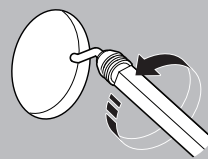

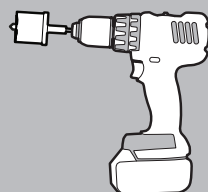

max: 2 mm



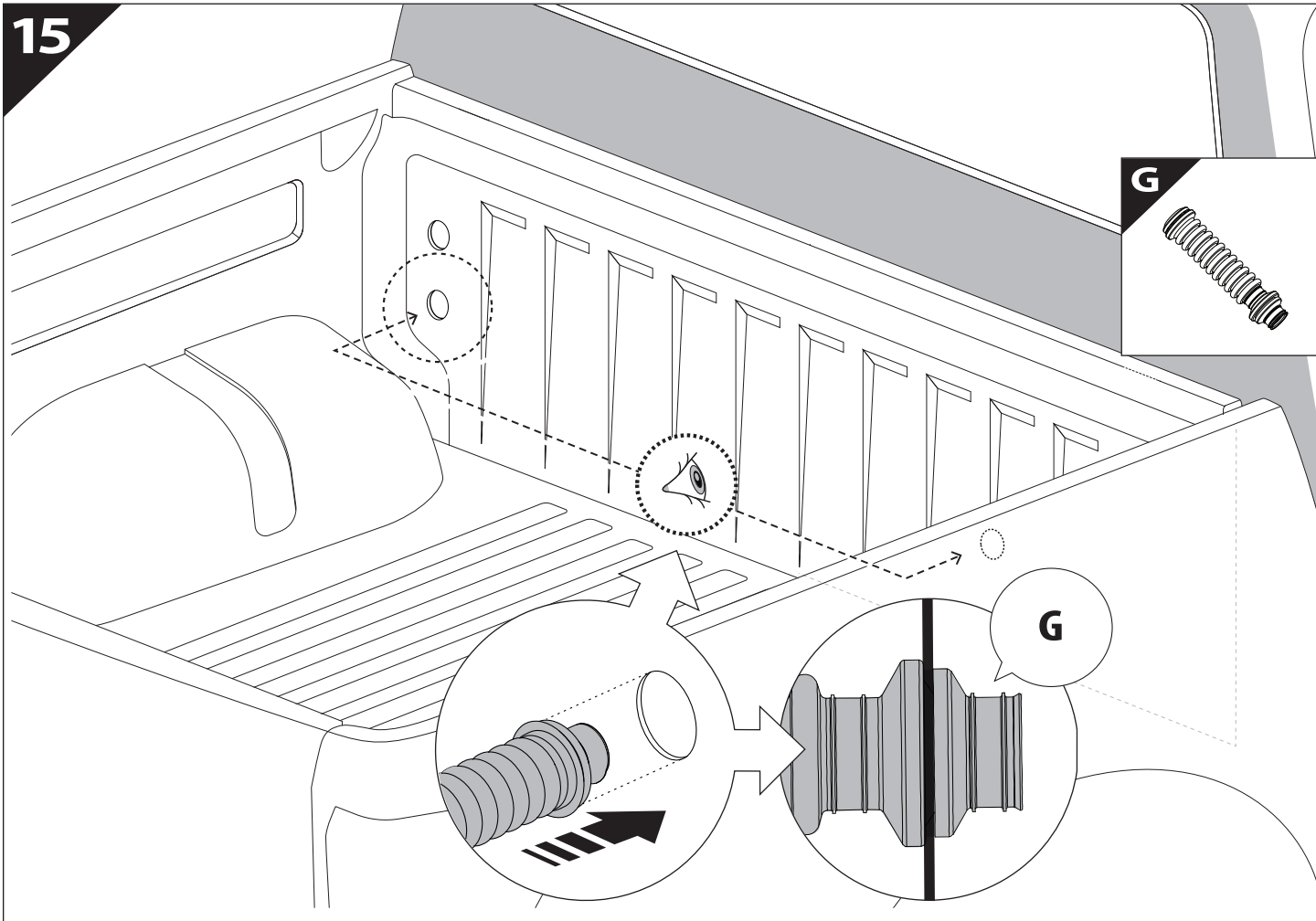
CAUTION



5 mm

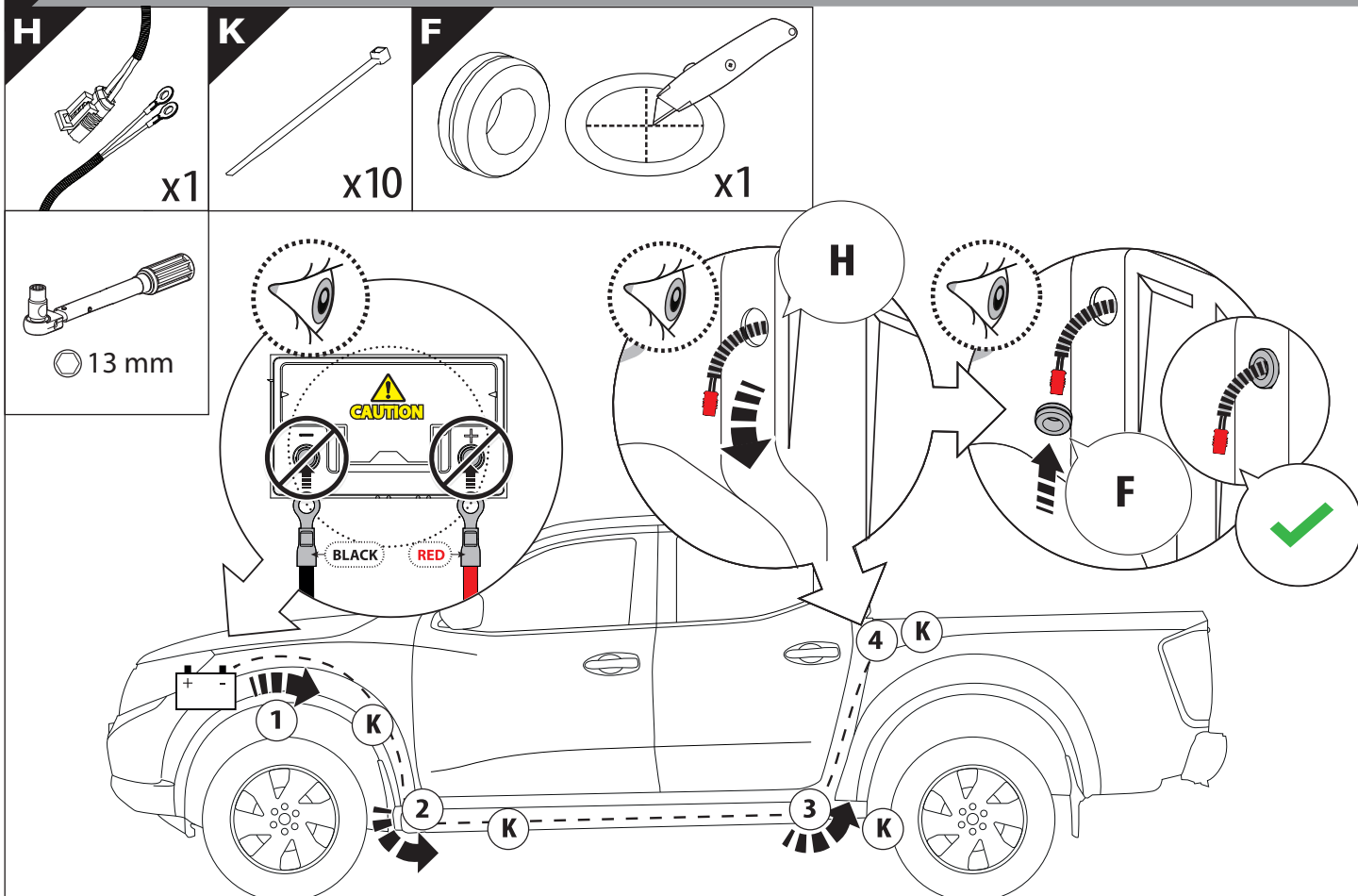


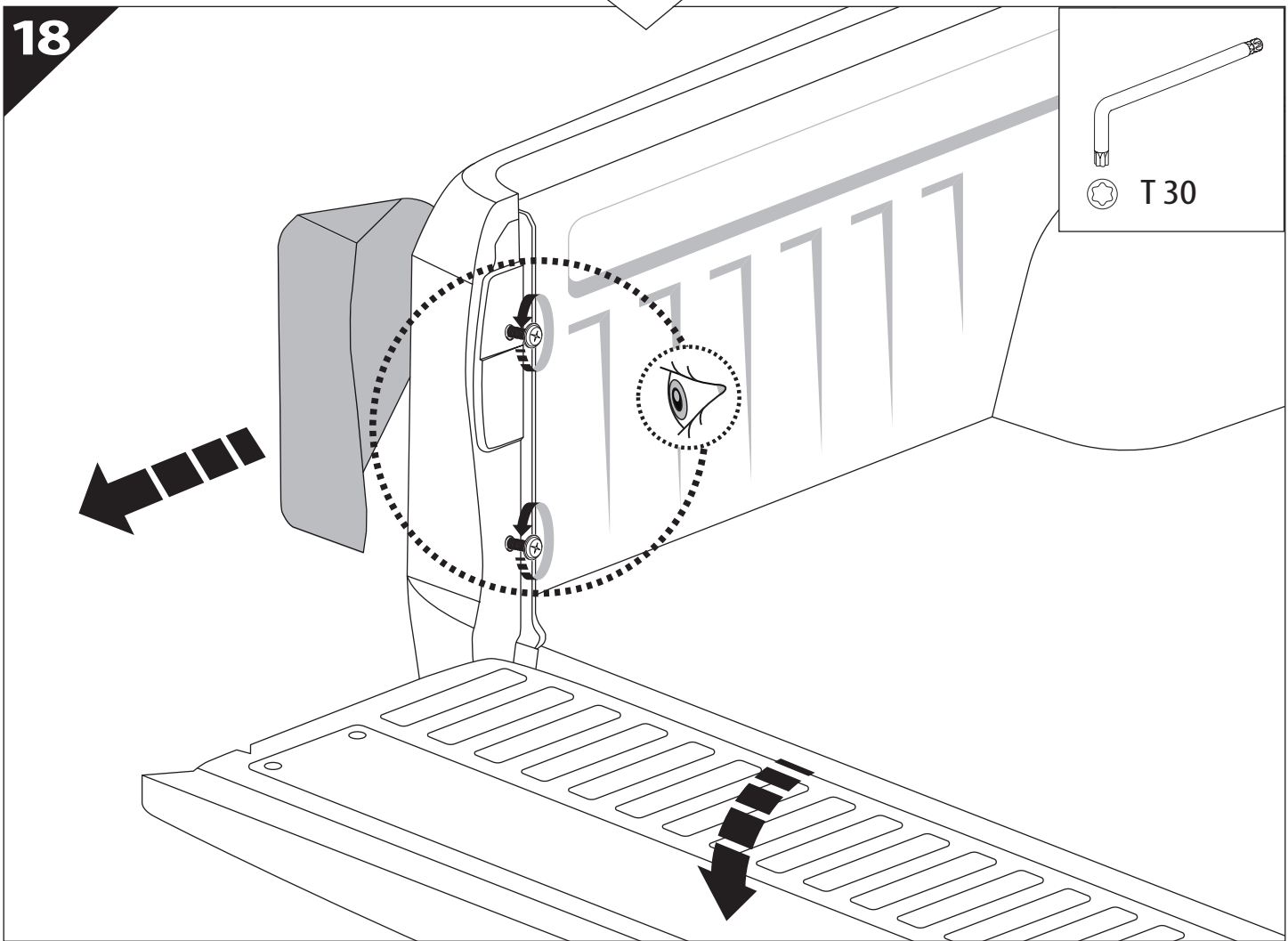
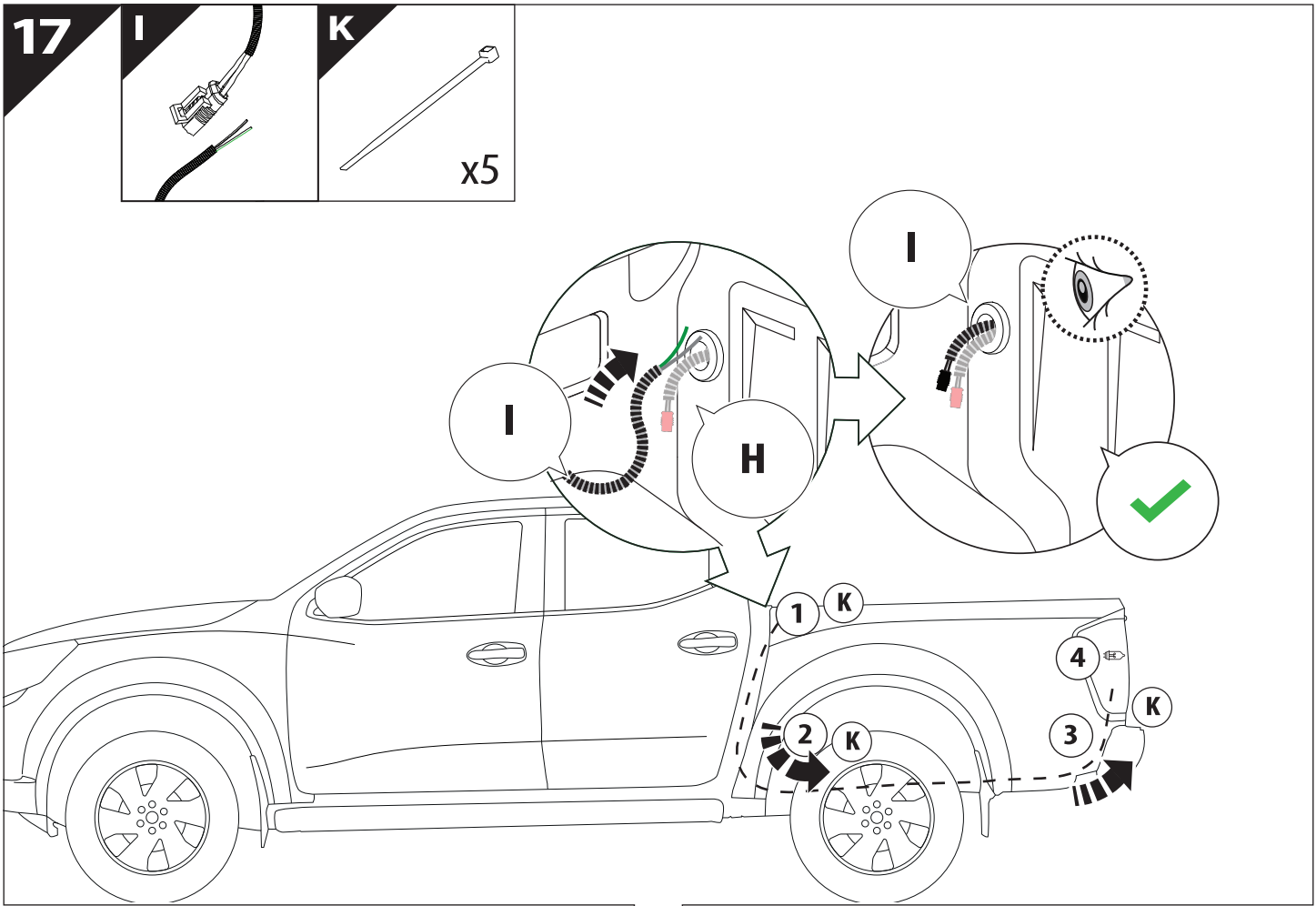
15



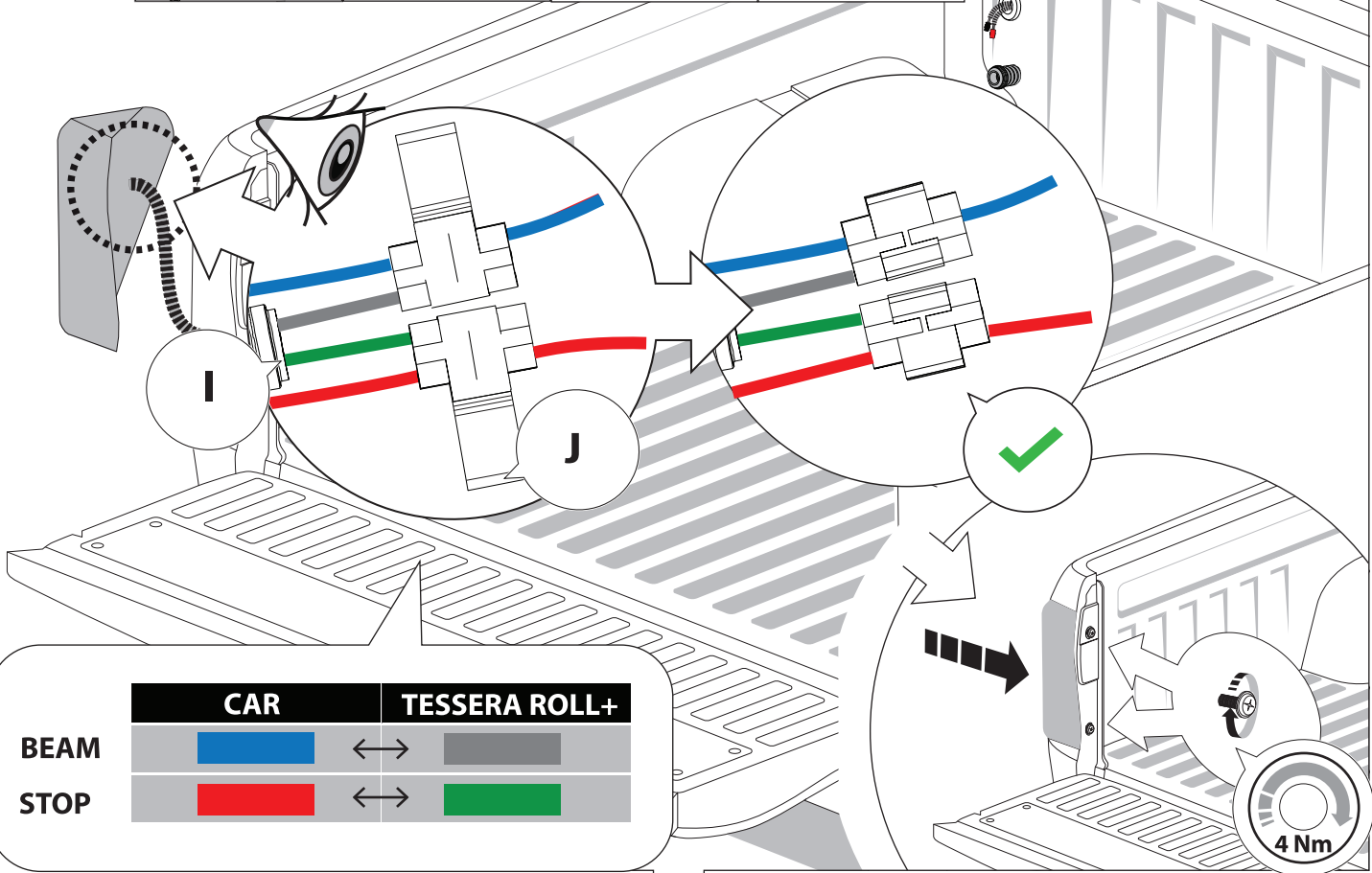
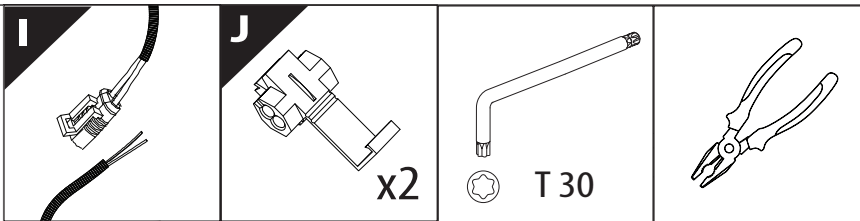
16

Only to be installed by authorized personnel

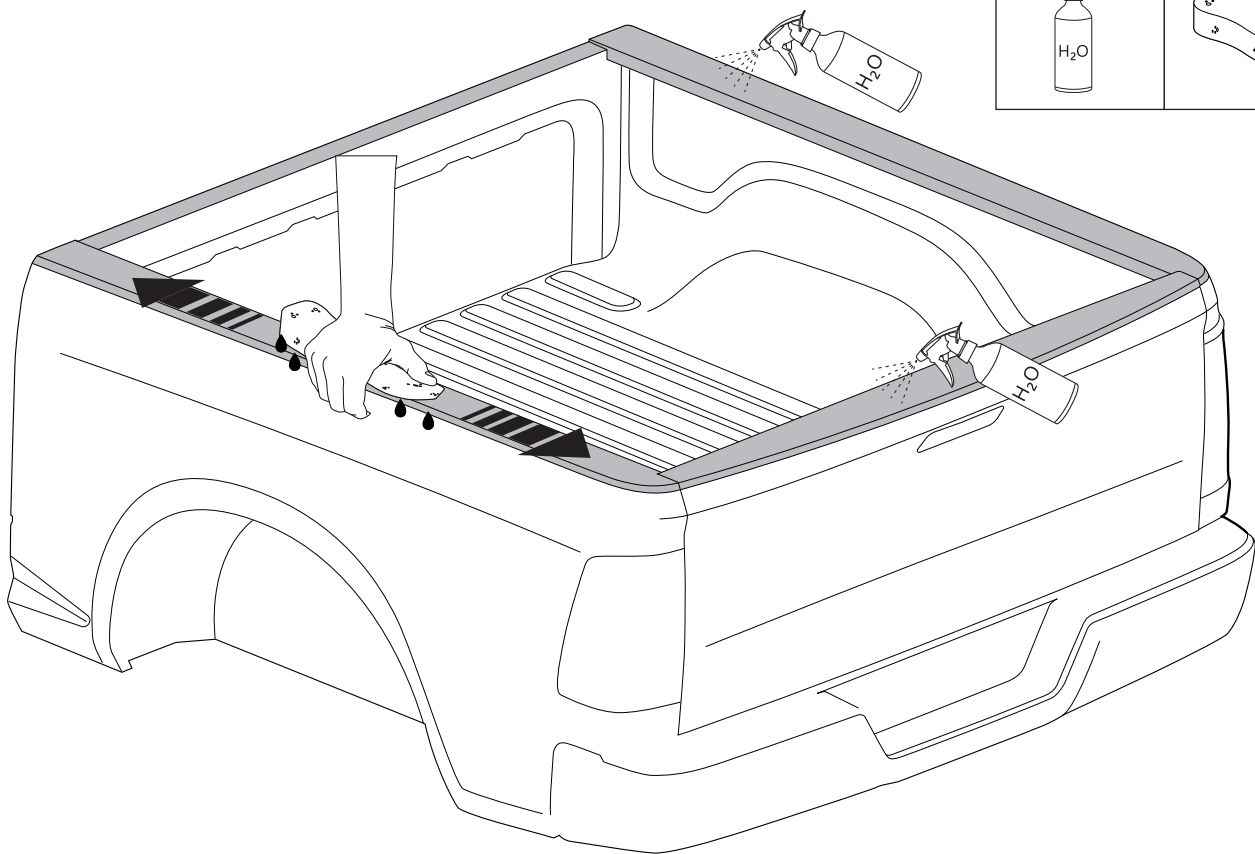
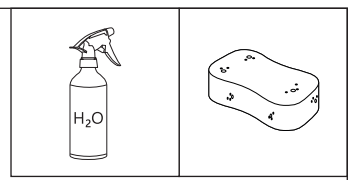




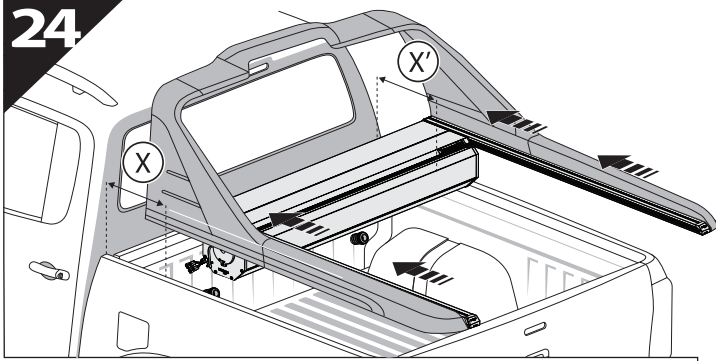
19



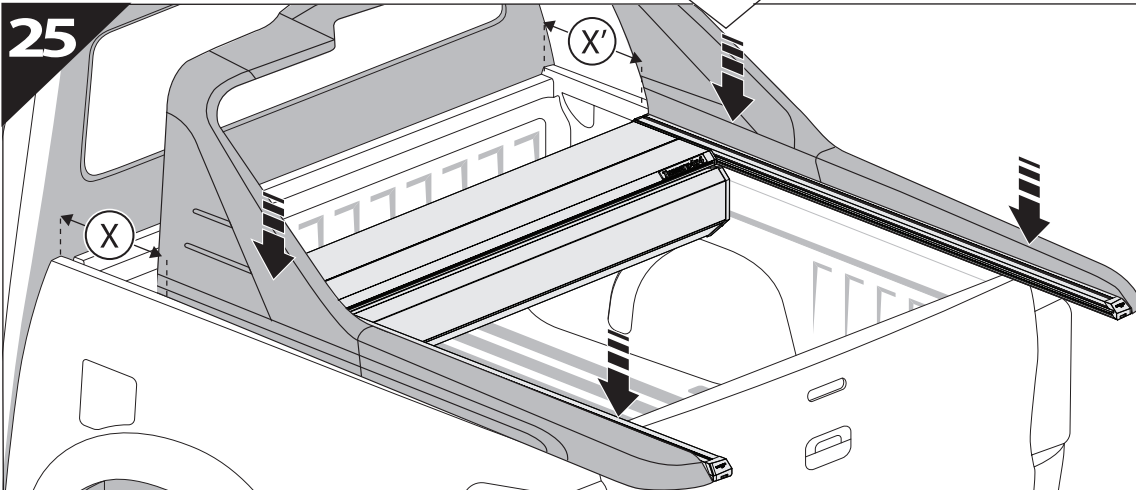
20



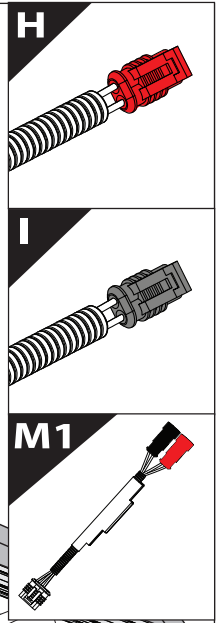
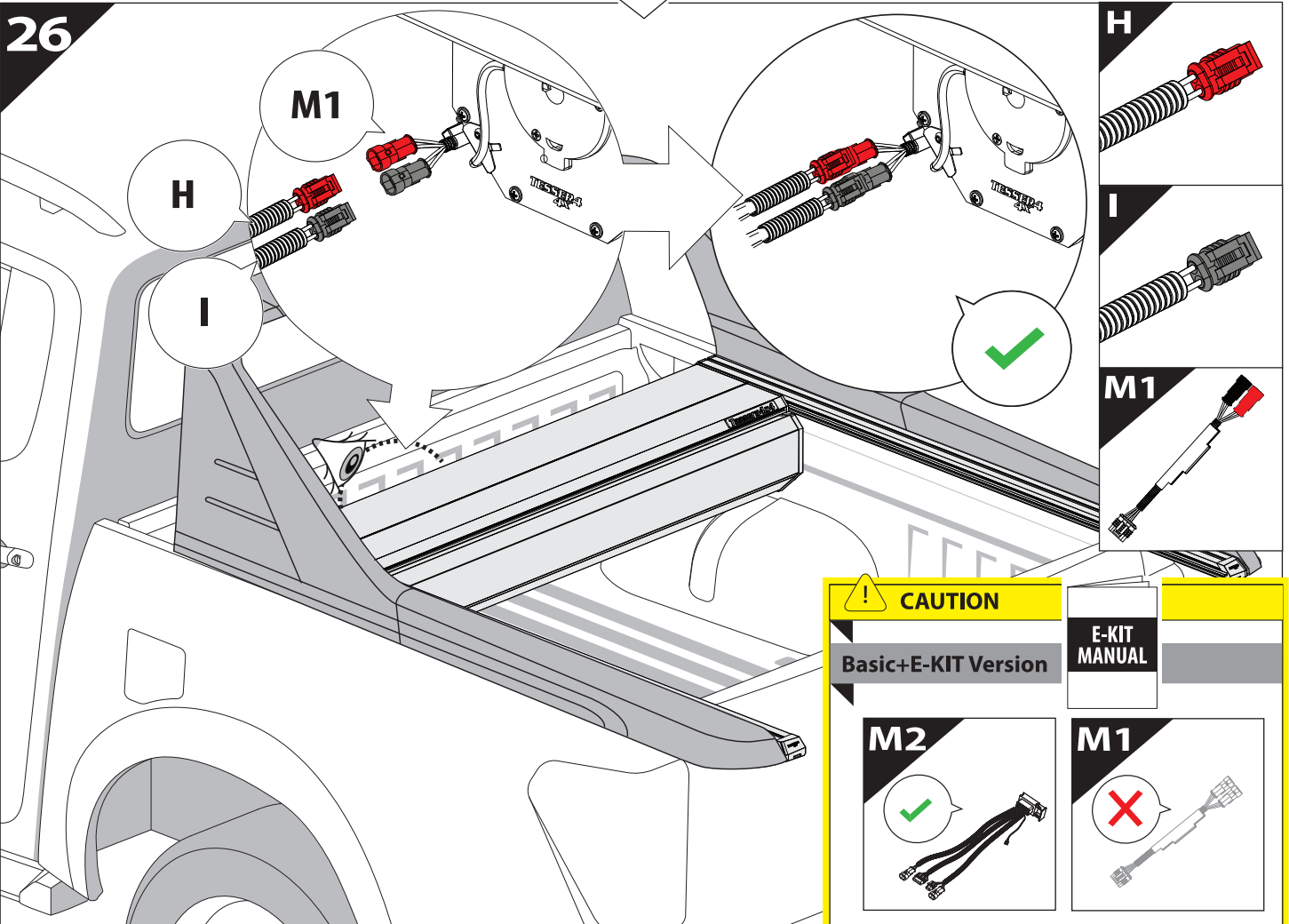
24



25

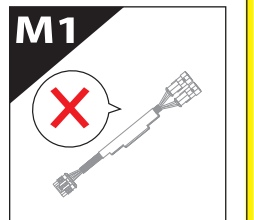
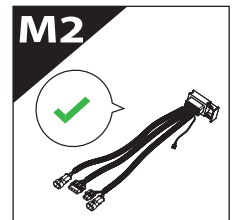


26



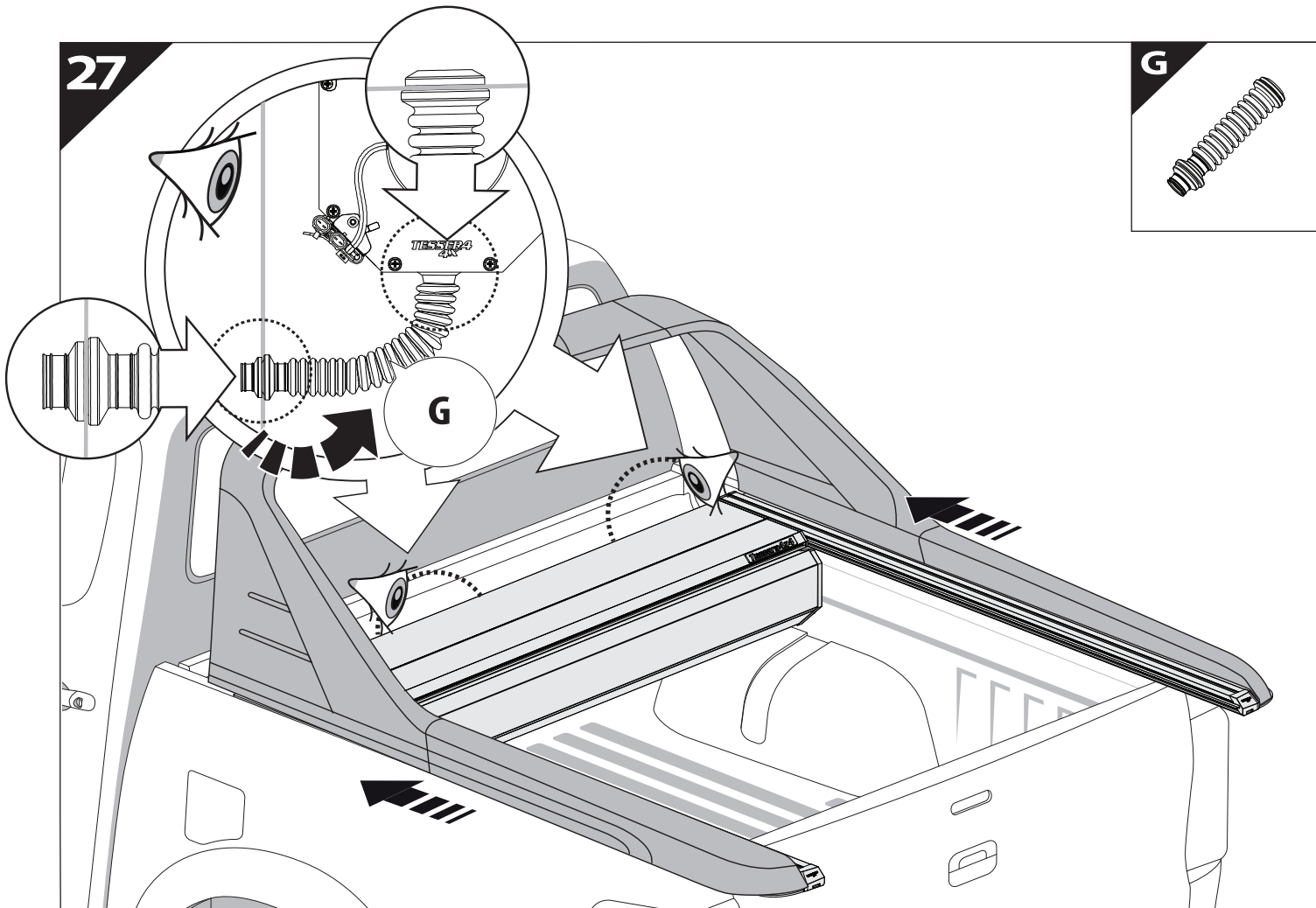
CAUTION
Basic+E-KIT Version

E-KIT
MANUAL

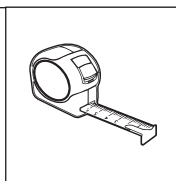
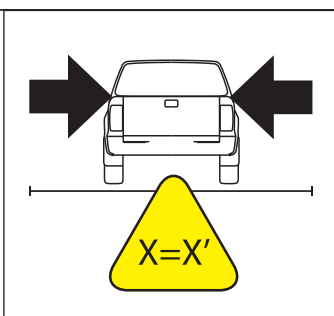
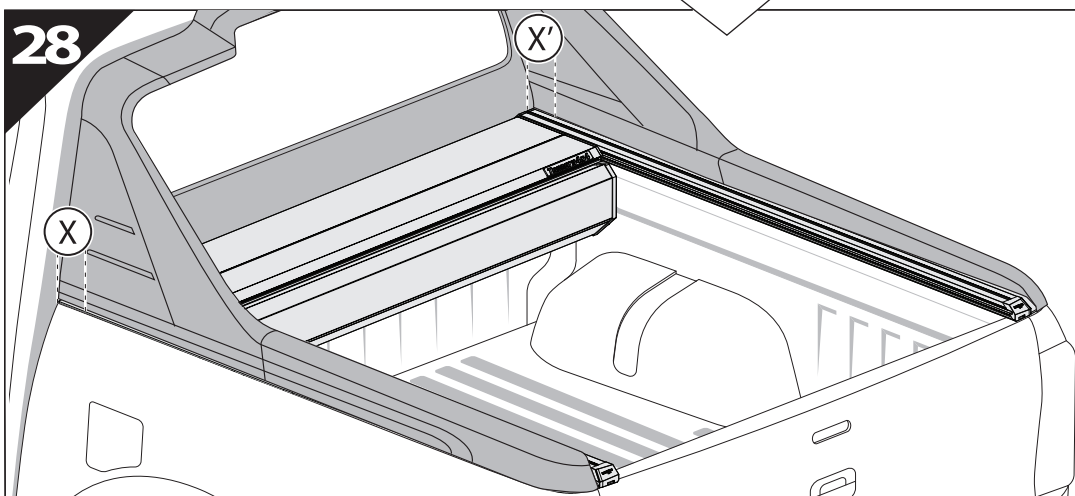


27

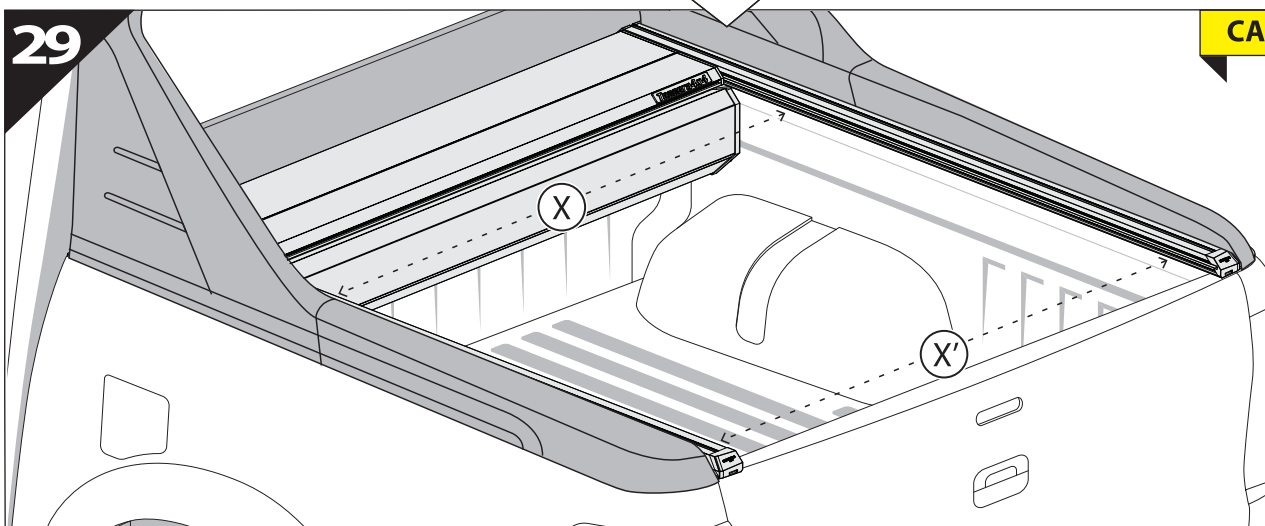
G



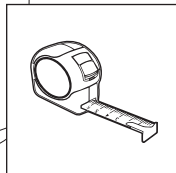
28



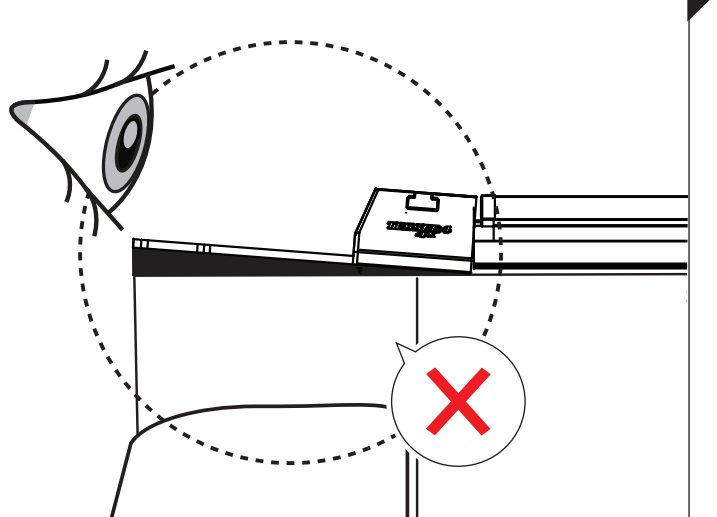
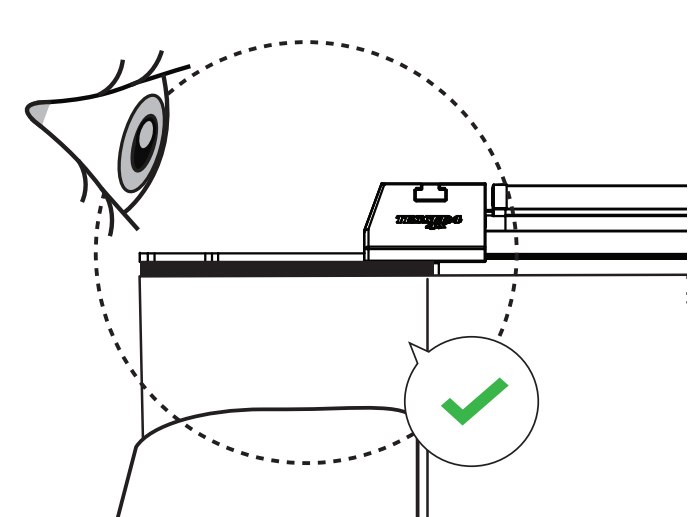
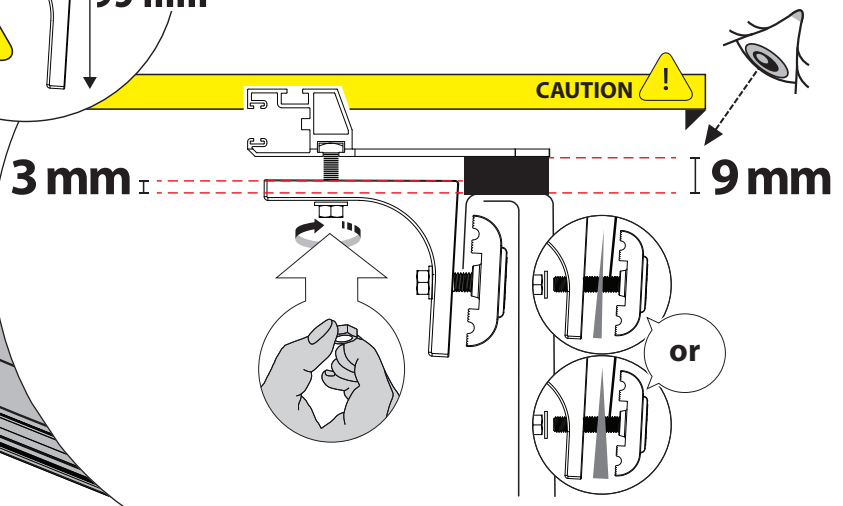
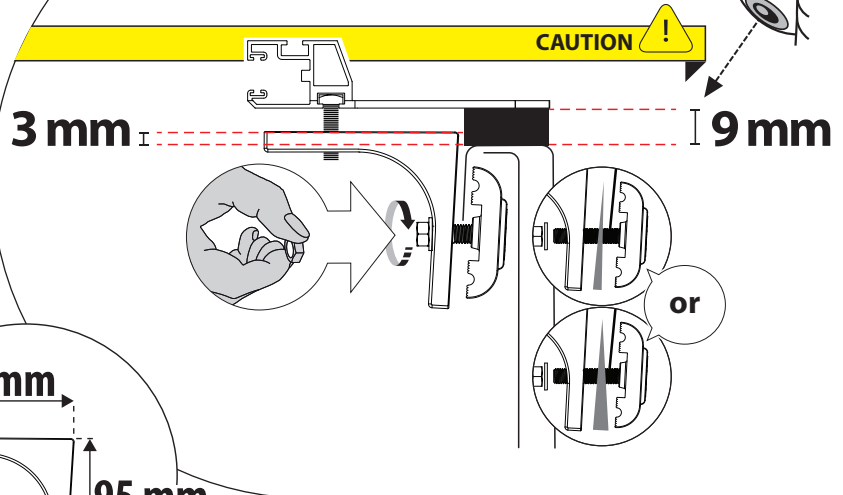
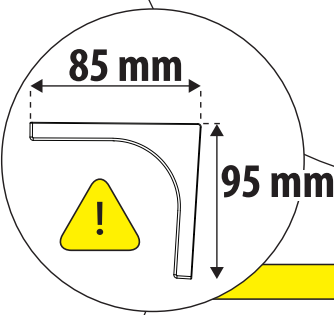
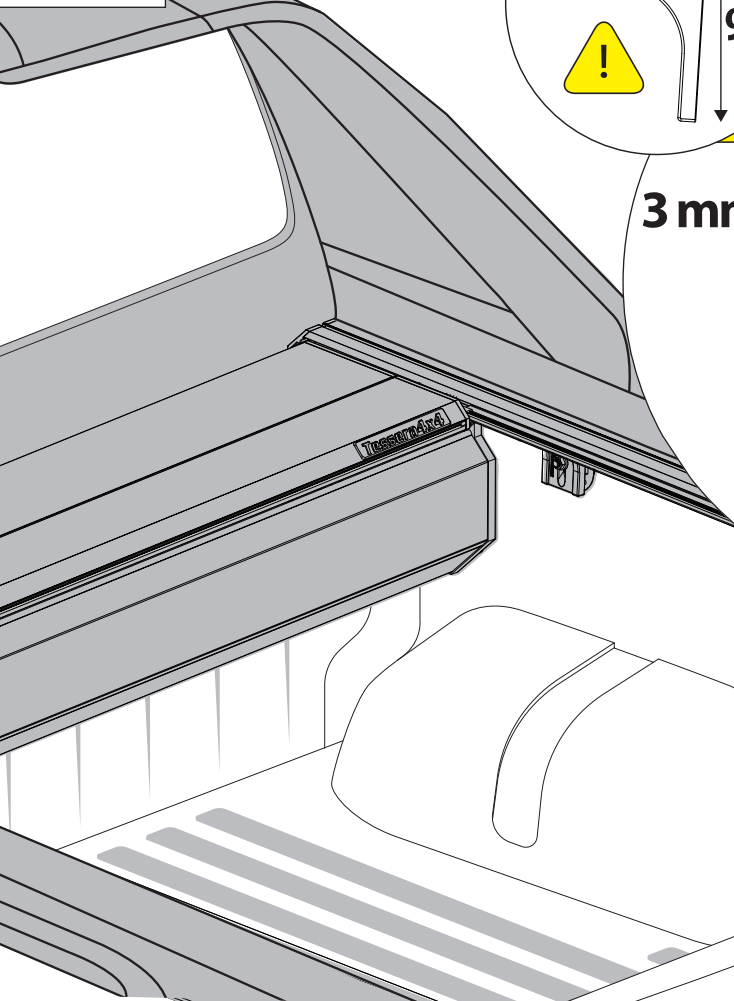
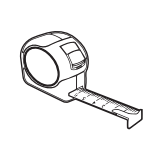
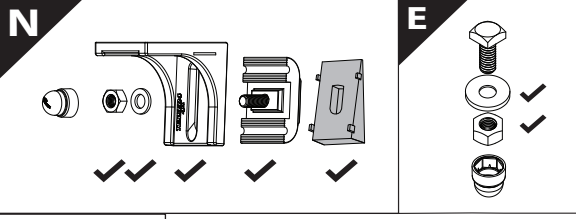
29

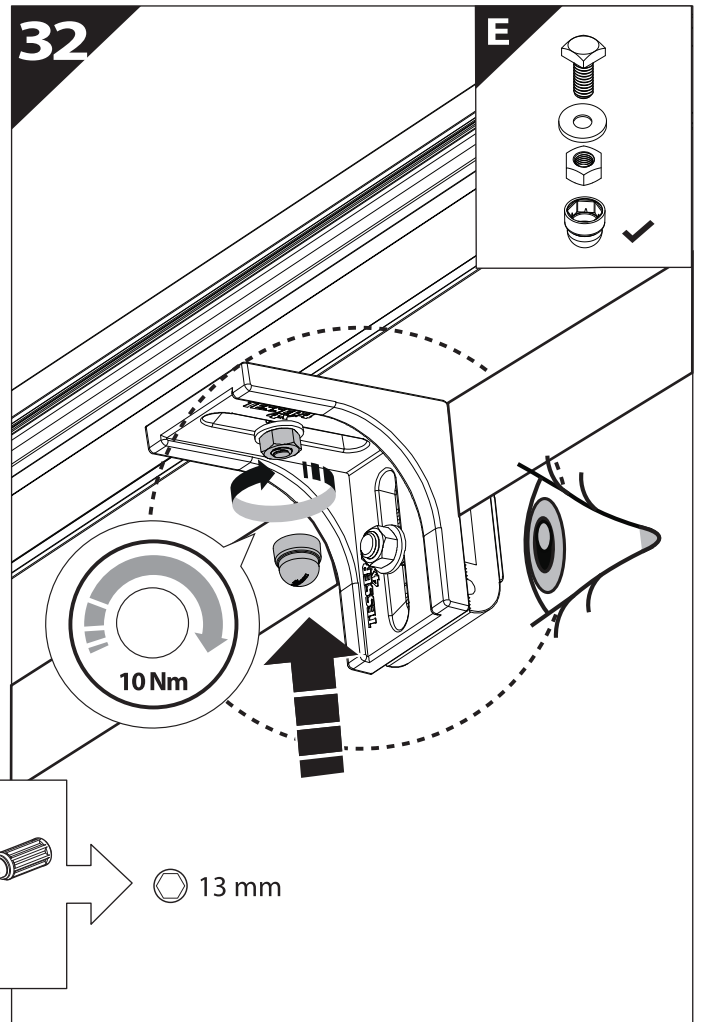
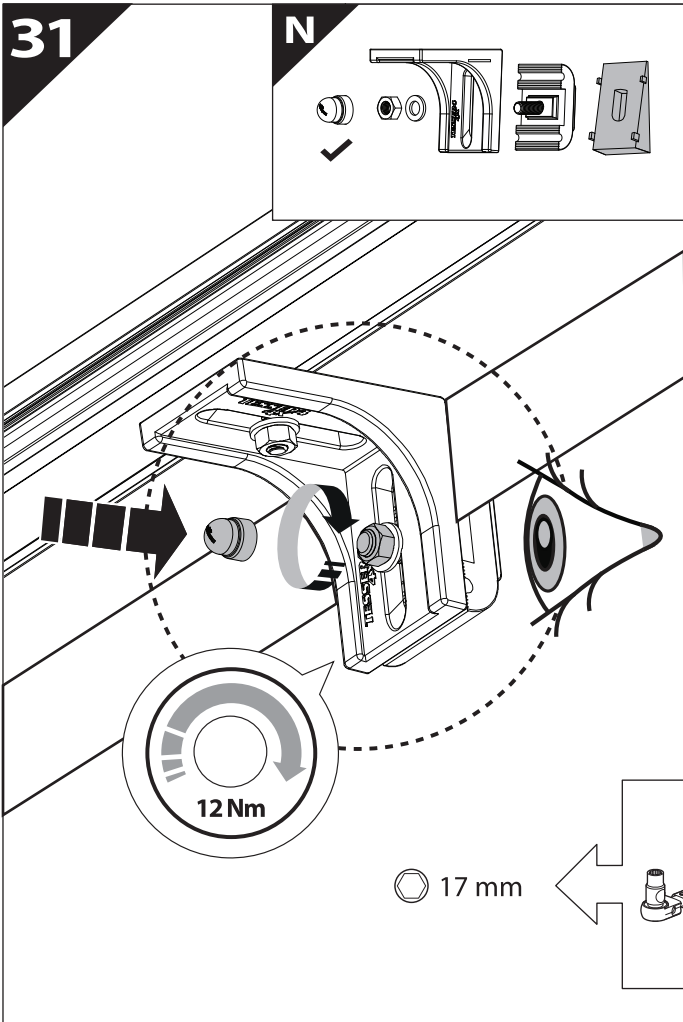


CAUTION !

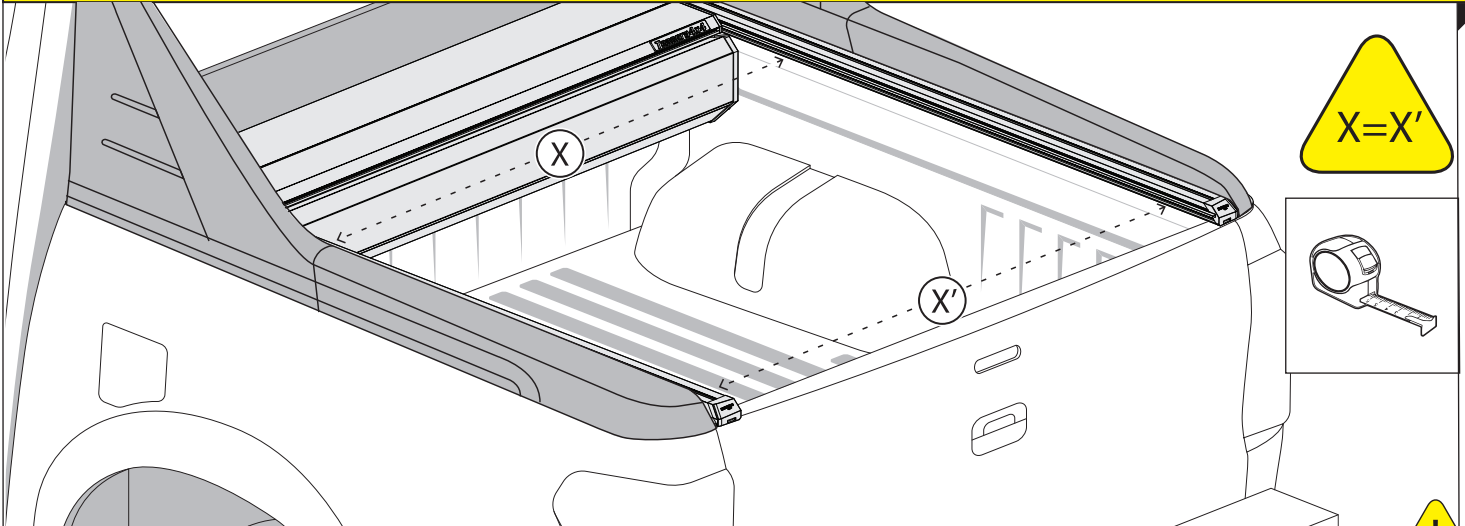


30

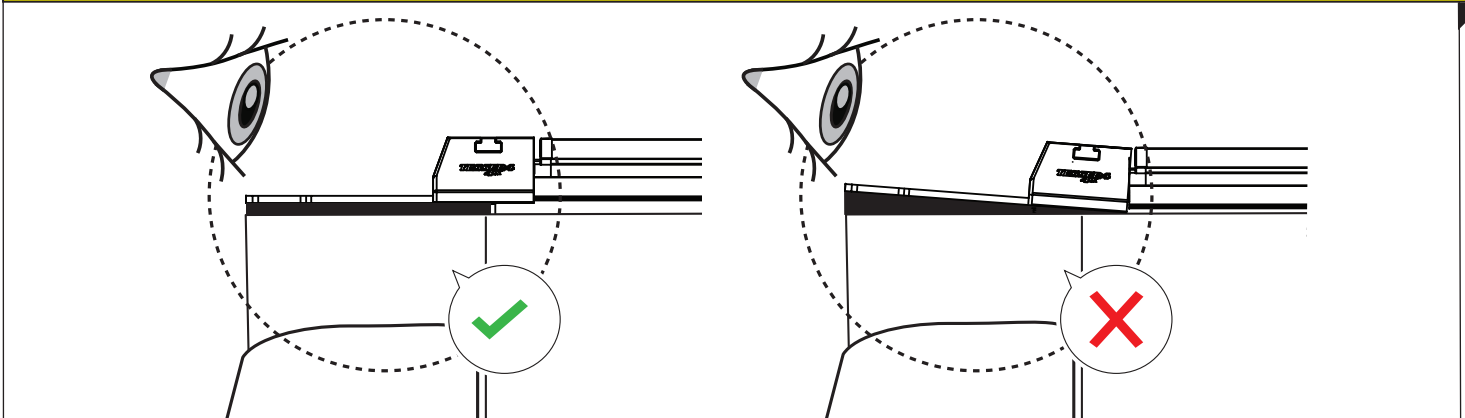


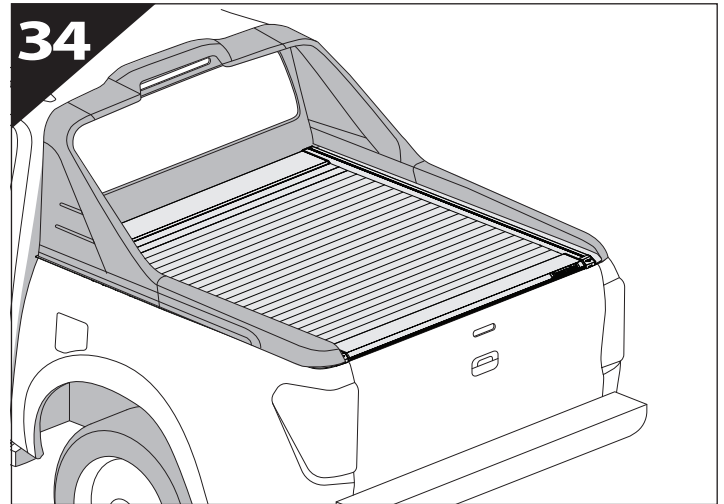
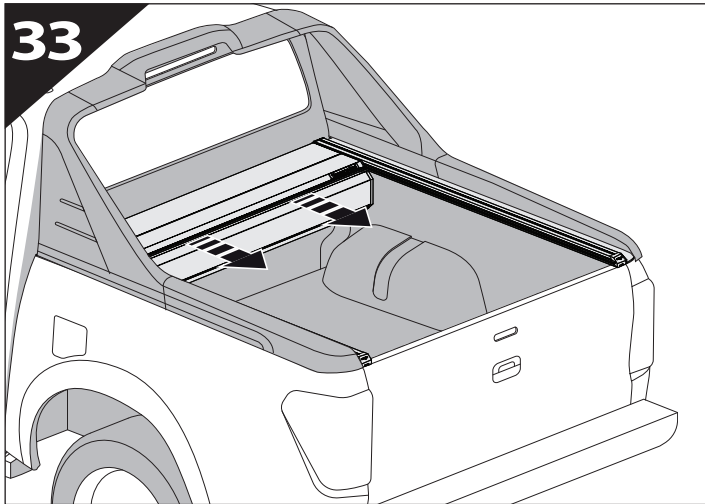


CAUTION !



CAUTION !





GR: Οδηγίες Εγκατάστασης
GB: Installation manual
SF: Asennusohje
F: Notice de montage
PL: Instrukcja montażu
NL: Installatie-instructies
TR: Montaj Talimatı
S: Monteringsanvisning
E: Instrucciones de montaje

H: Szerelési utasítás
P: Instruções de instalação
RUS: Инструкция по установке
N: Monteringsveiledning
D: Einbauanleitung
CZ: Návod k instalaci
I: Istruzioni de montaggio
DK: Monteringsvejledning
RO: Instructiuni de instalare

Customer Service:

+30 (210) 5541161, +30 (210) 5541154 (08:00 - 16:00 EET)

Support department:

info@gianso.gr

Website:

www.tessera4x4.com

Address:

19.5 km of National road Athens-Korinthos (Elefsina) Greece, P.C: 19200