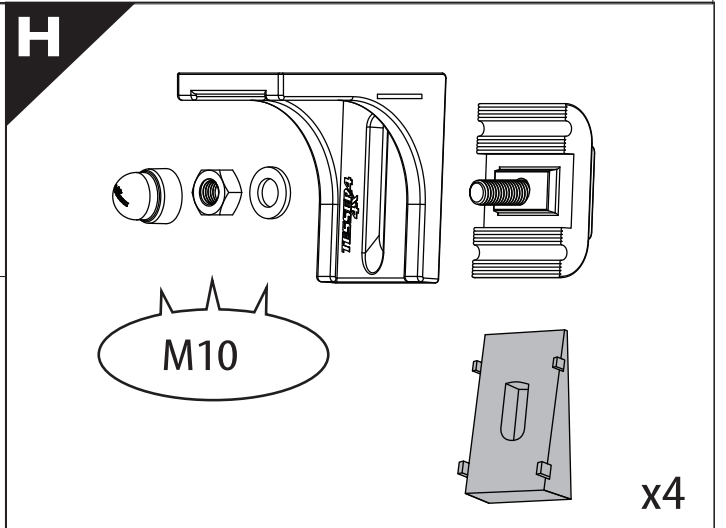
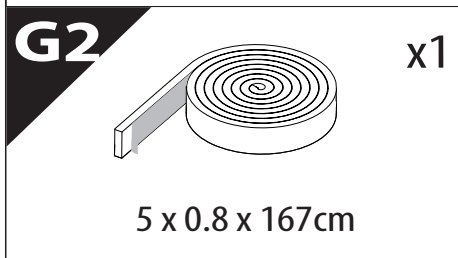
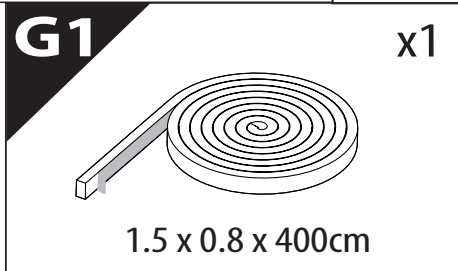
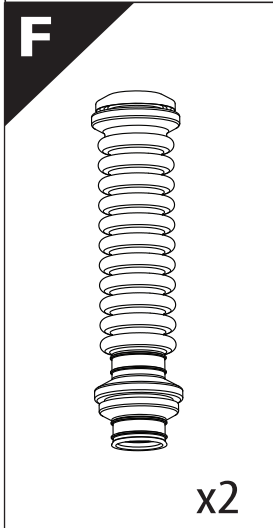
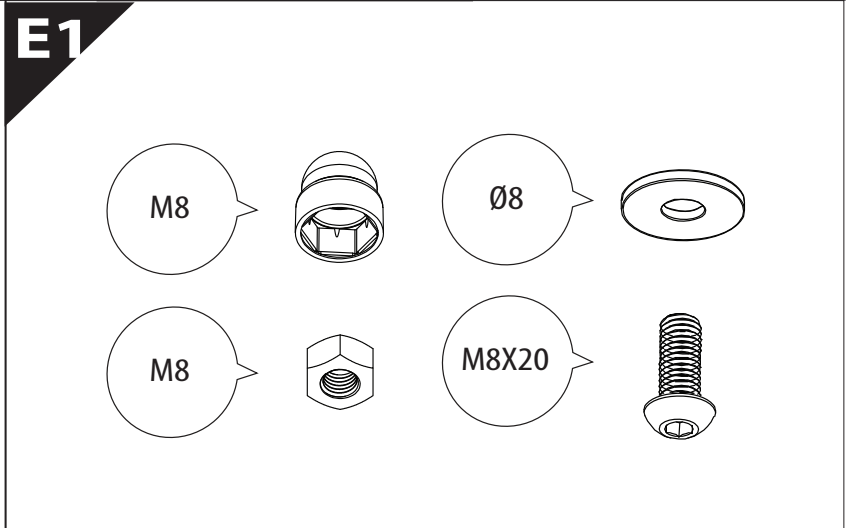
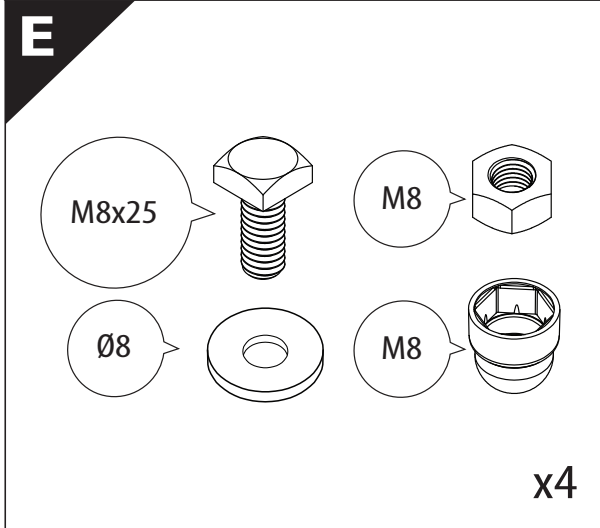
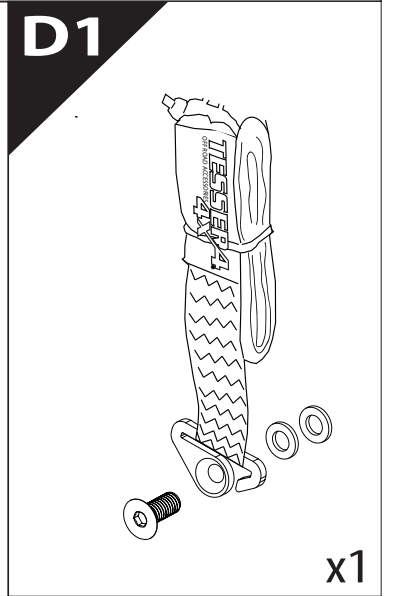
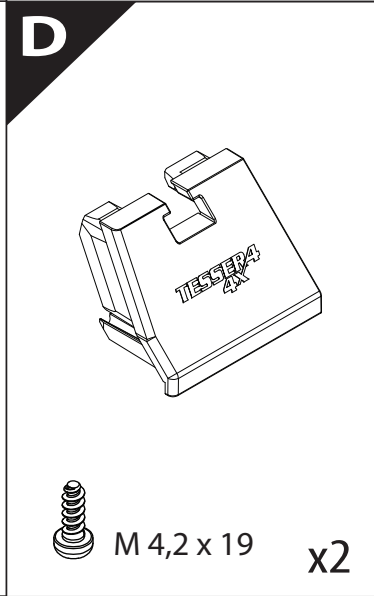
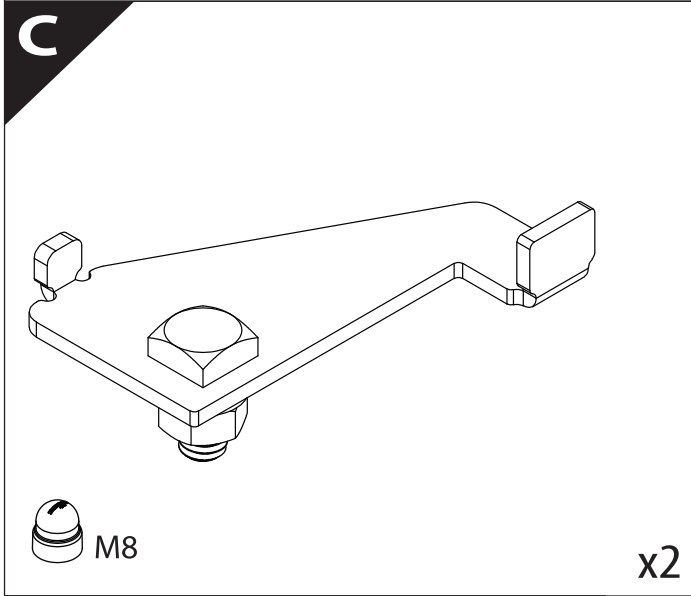
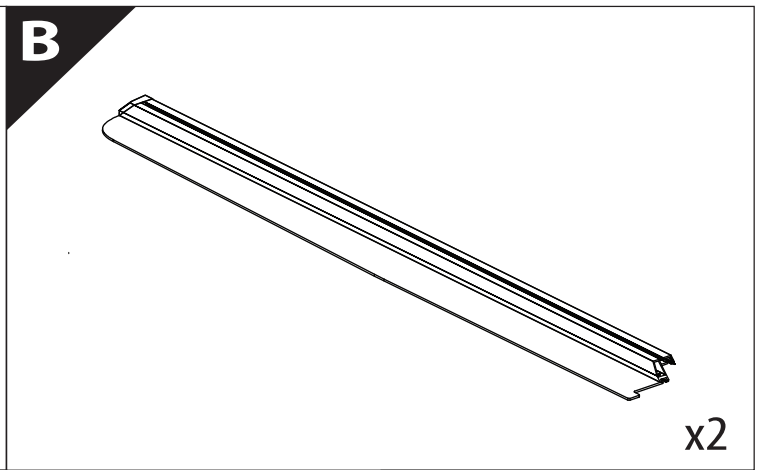
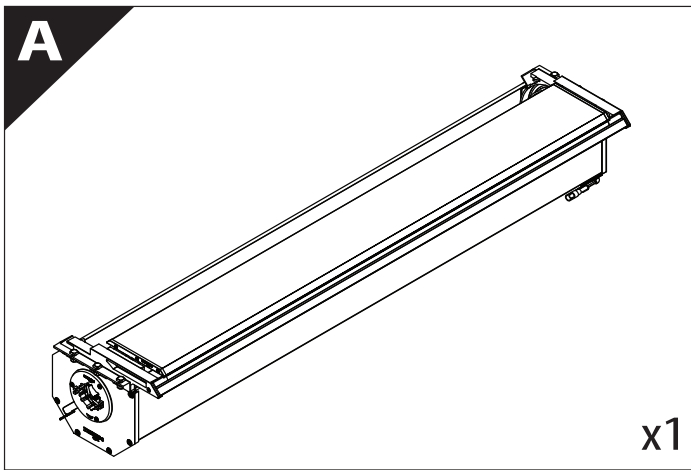
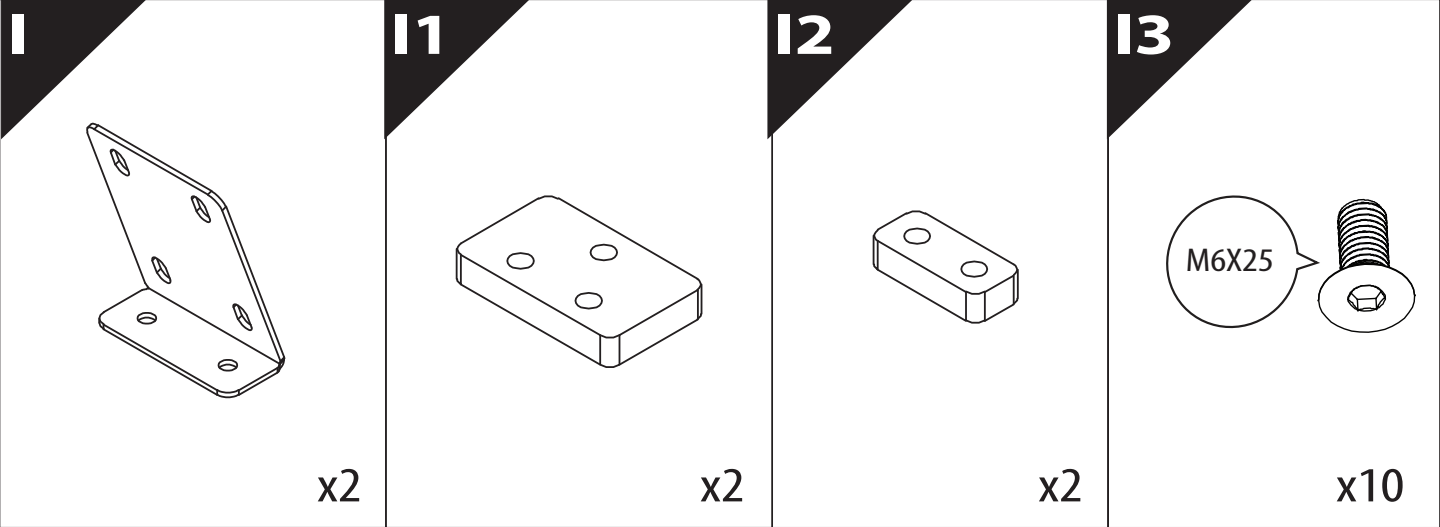
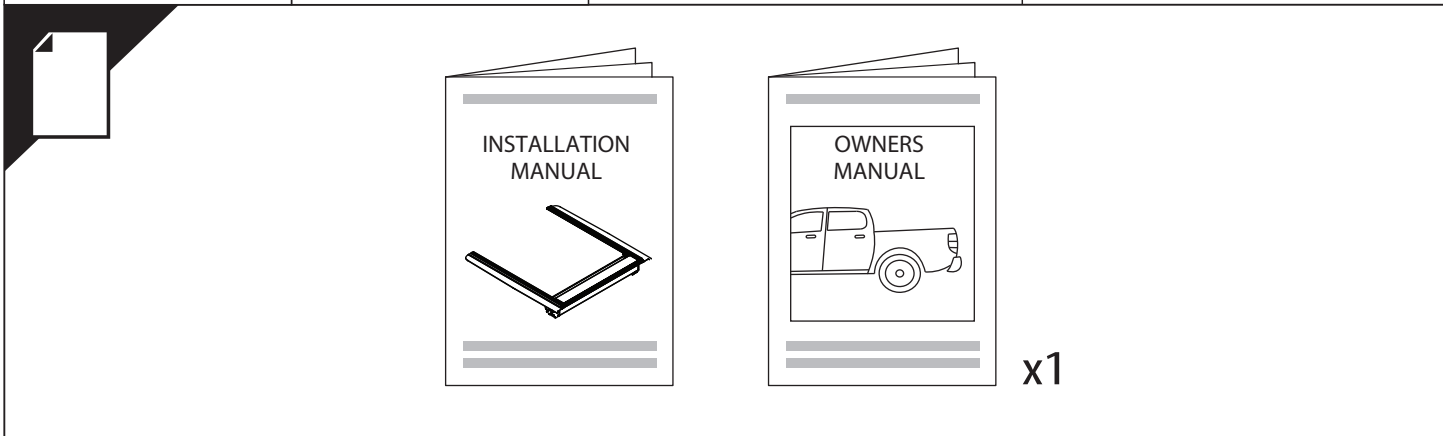
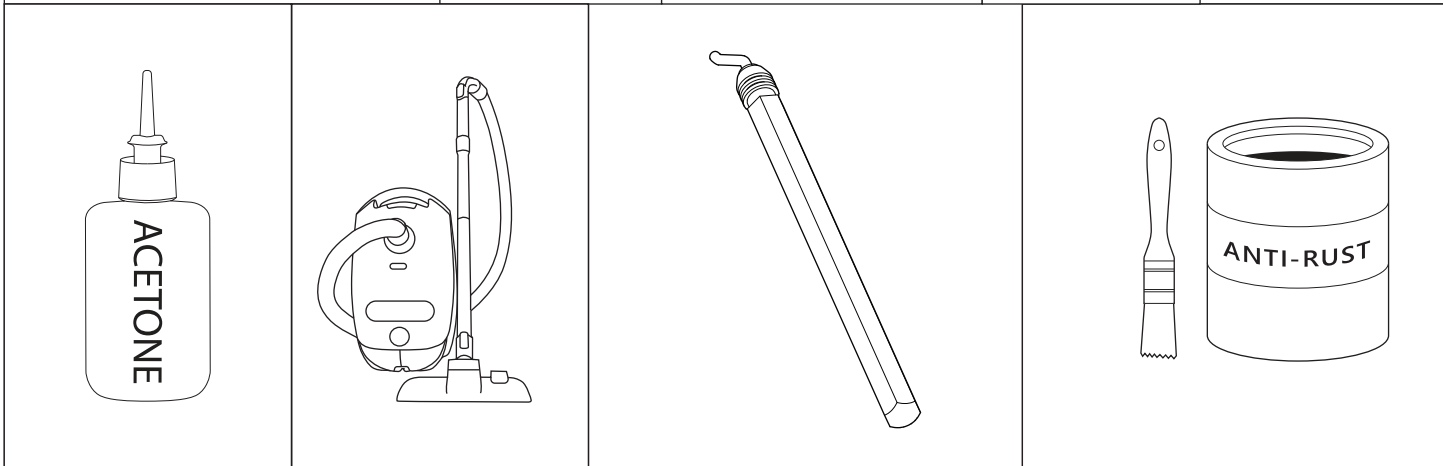
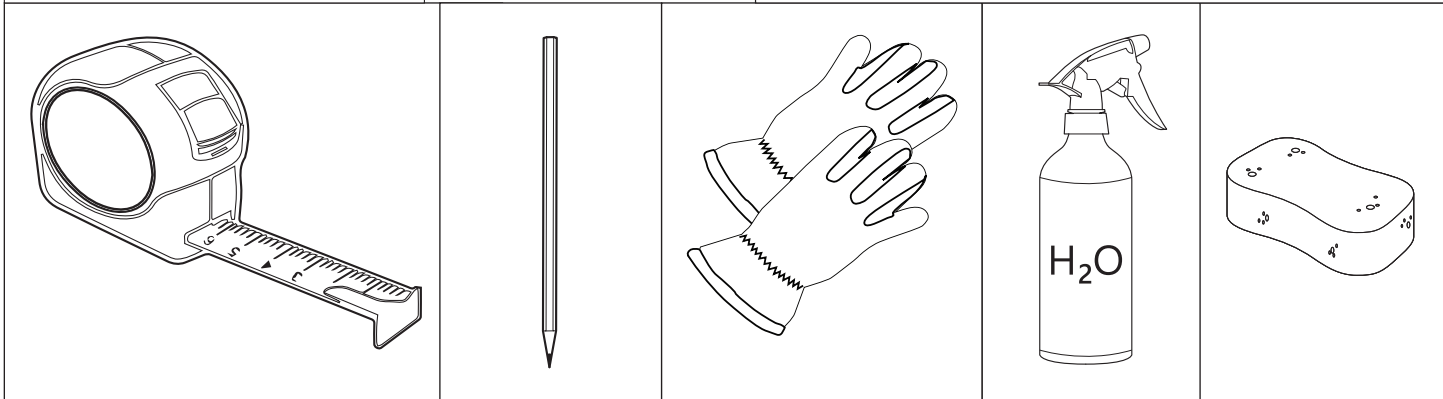
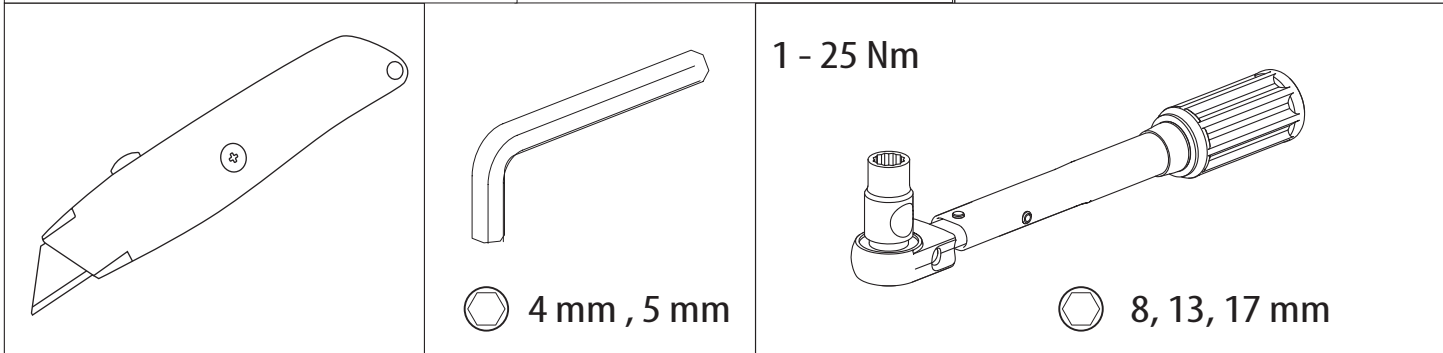
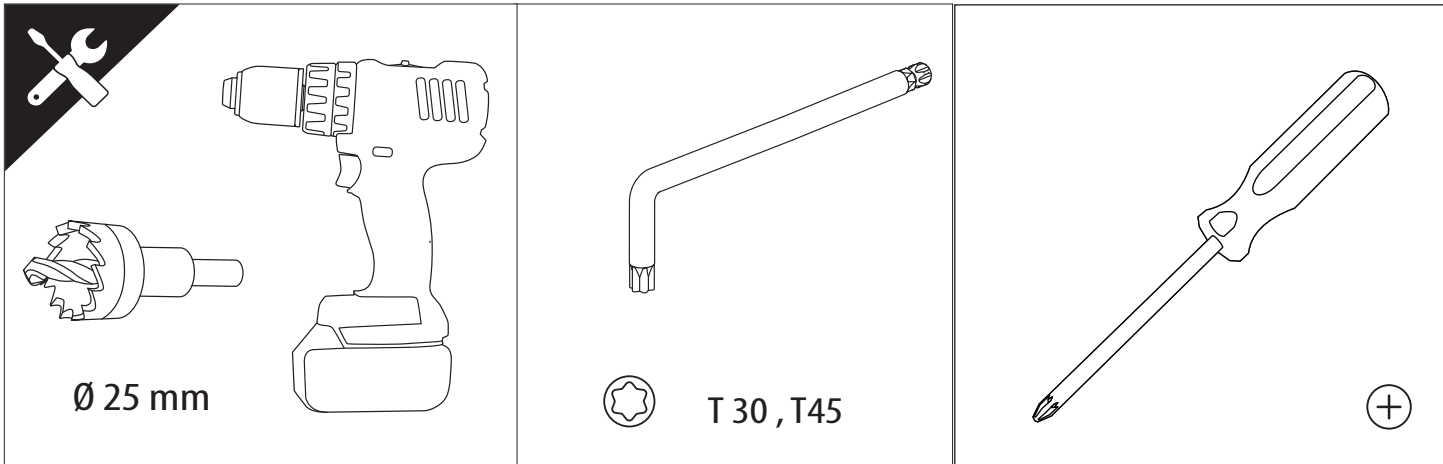


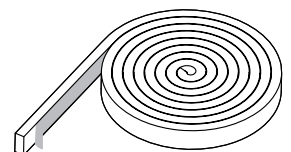
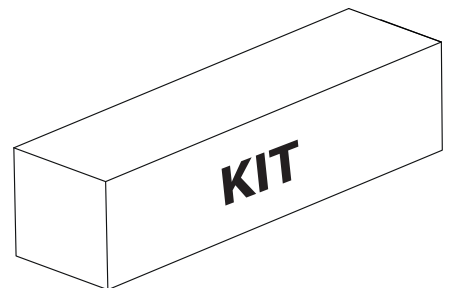
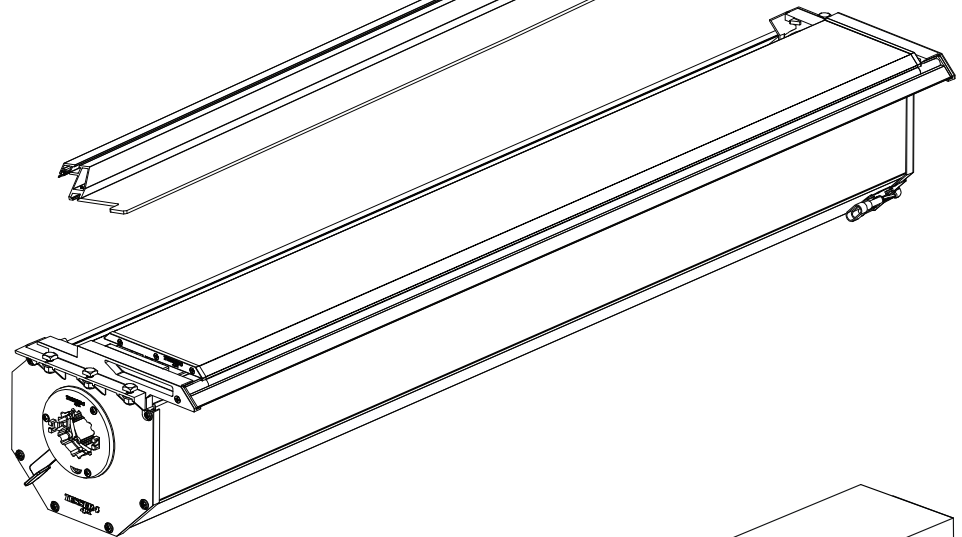
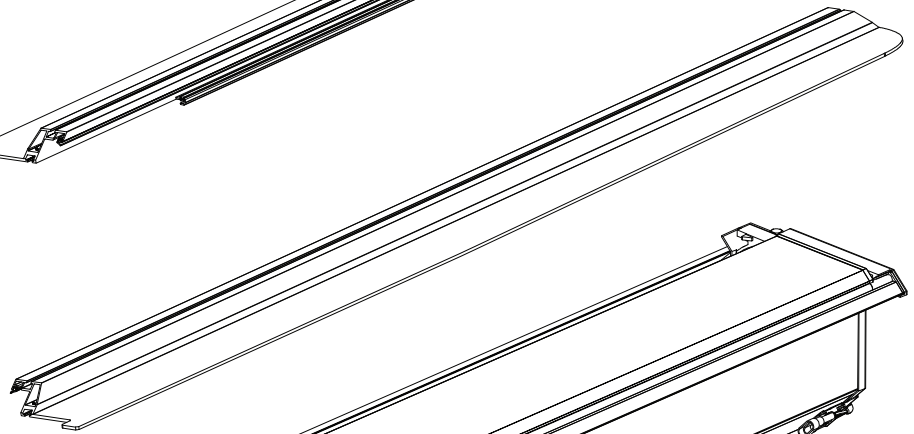
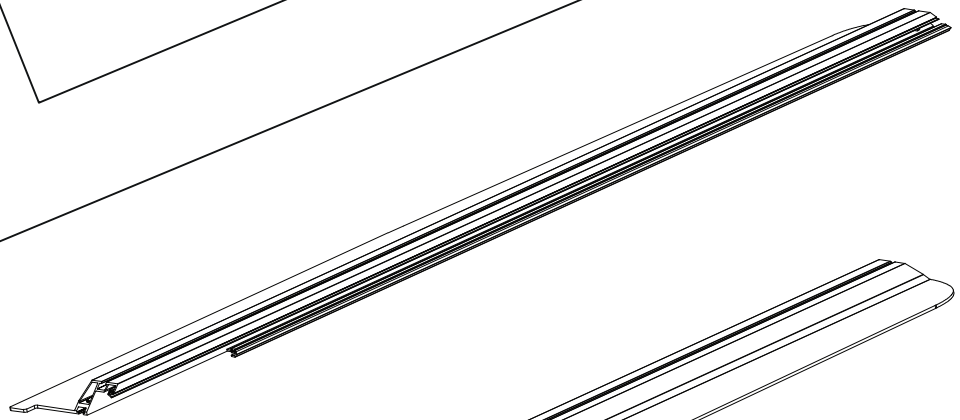
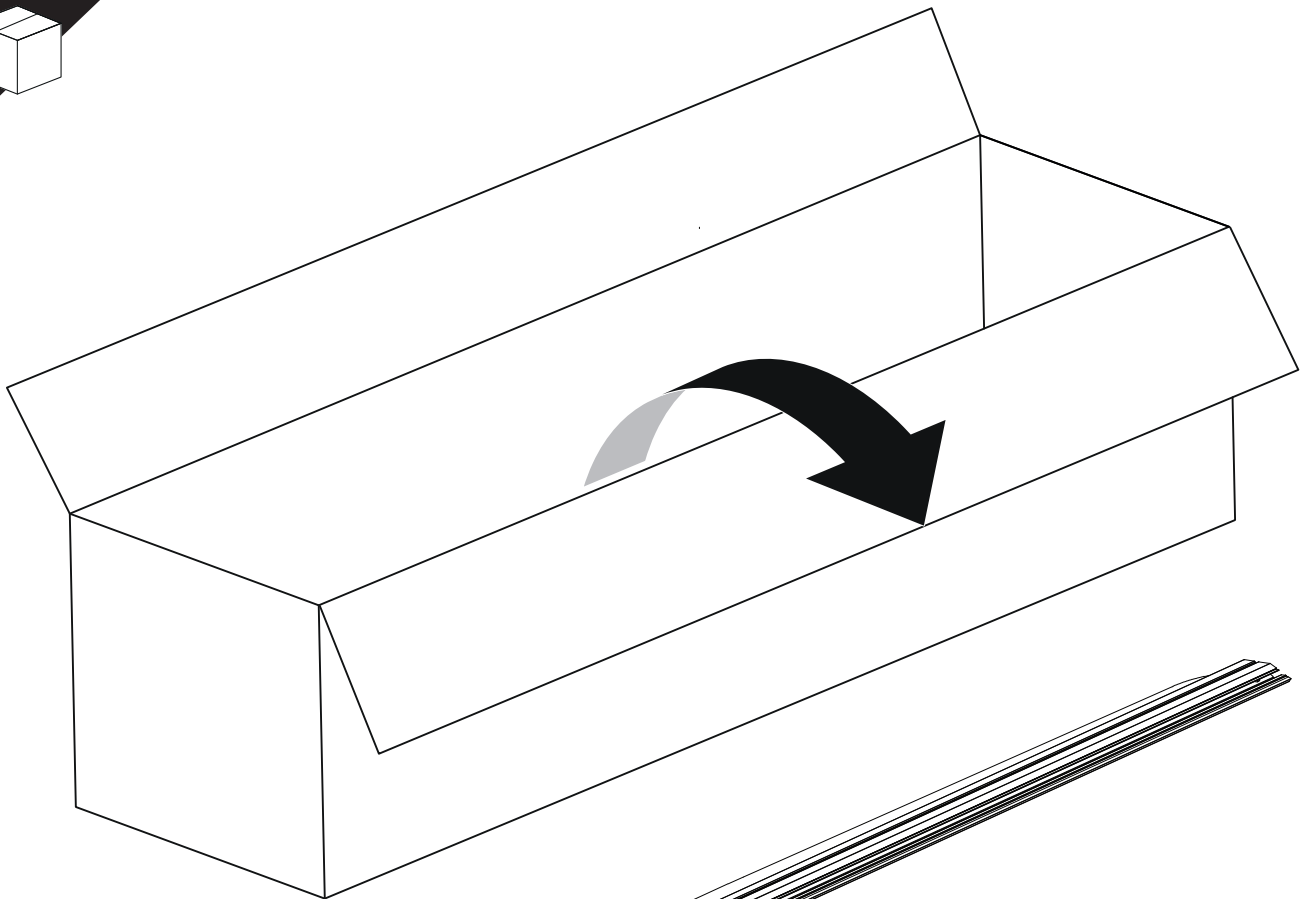
Installation Manual

PART NUMBER(S)	Model Year
TESS 15451 SE	Maxus T60 MAX PLUS 2025+ with MAXUS OEM Roll Bar
Cab(s)	Installation Time / Weight
Double Cab	40-60 minutes / 53-57 kg







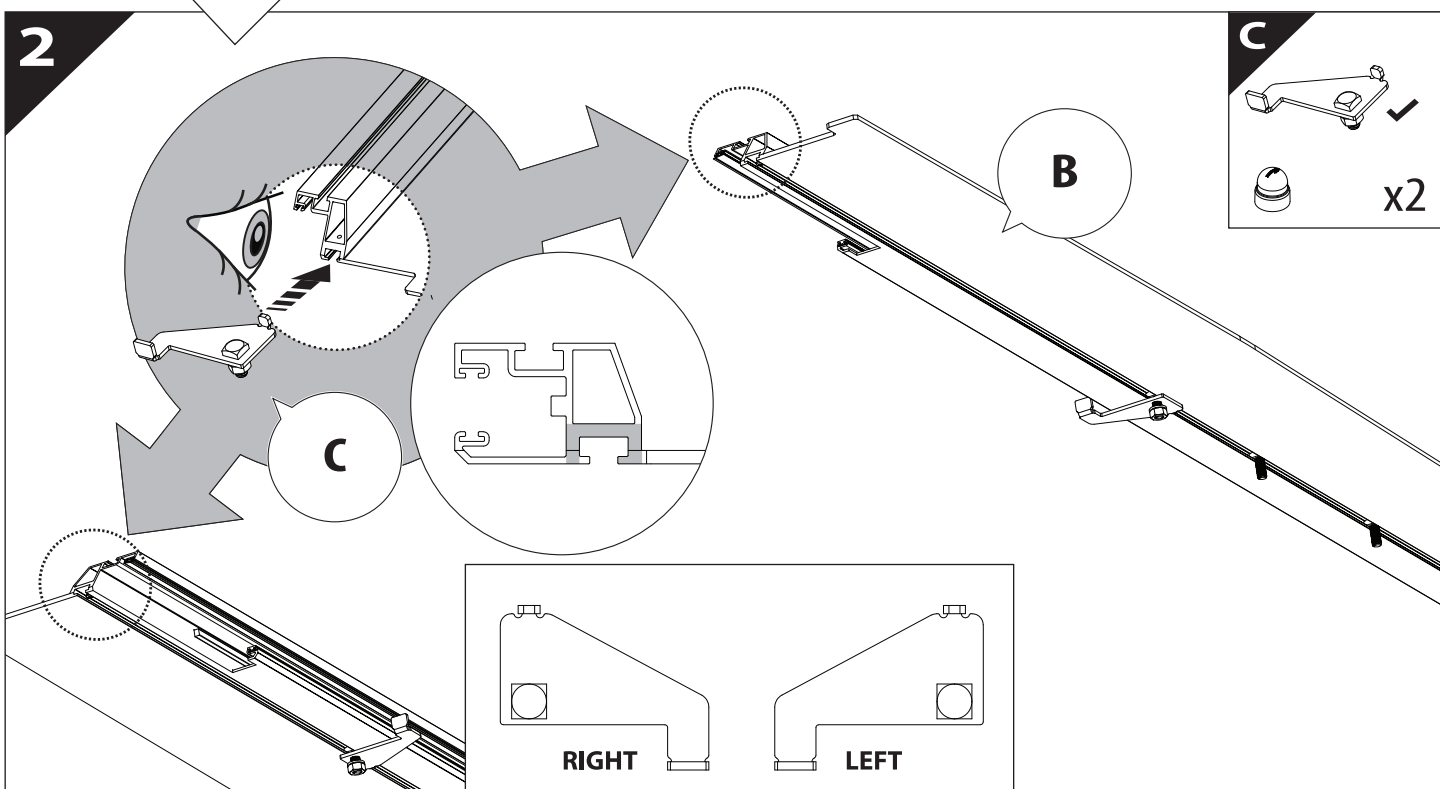
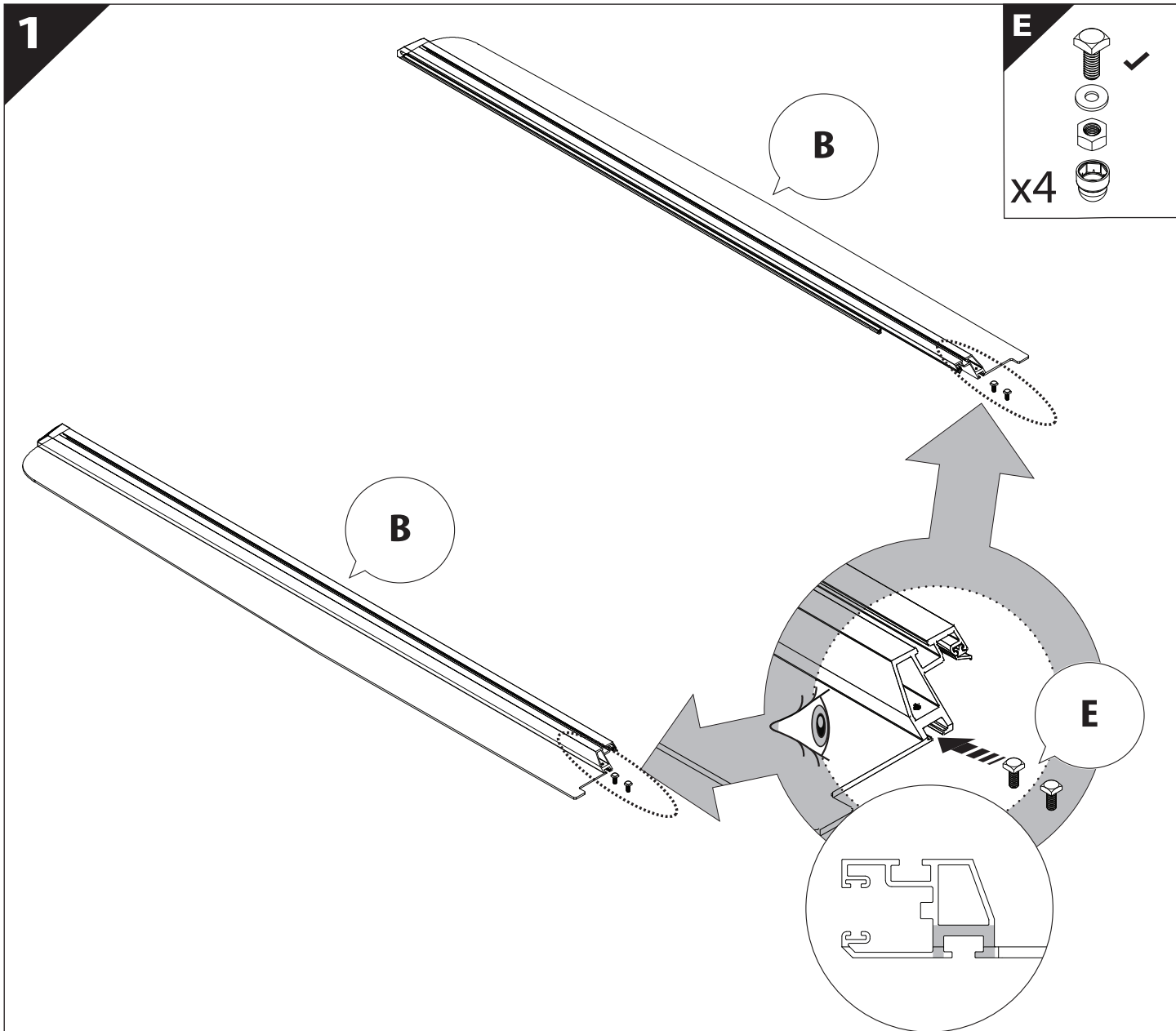


B

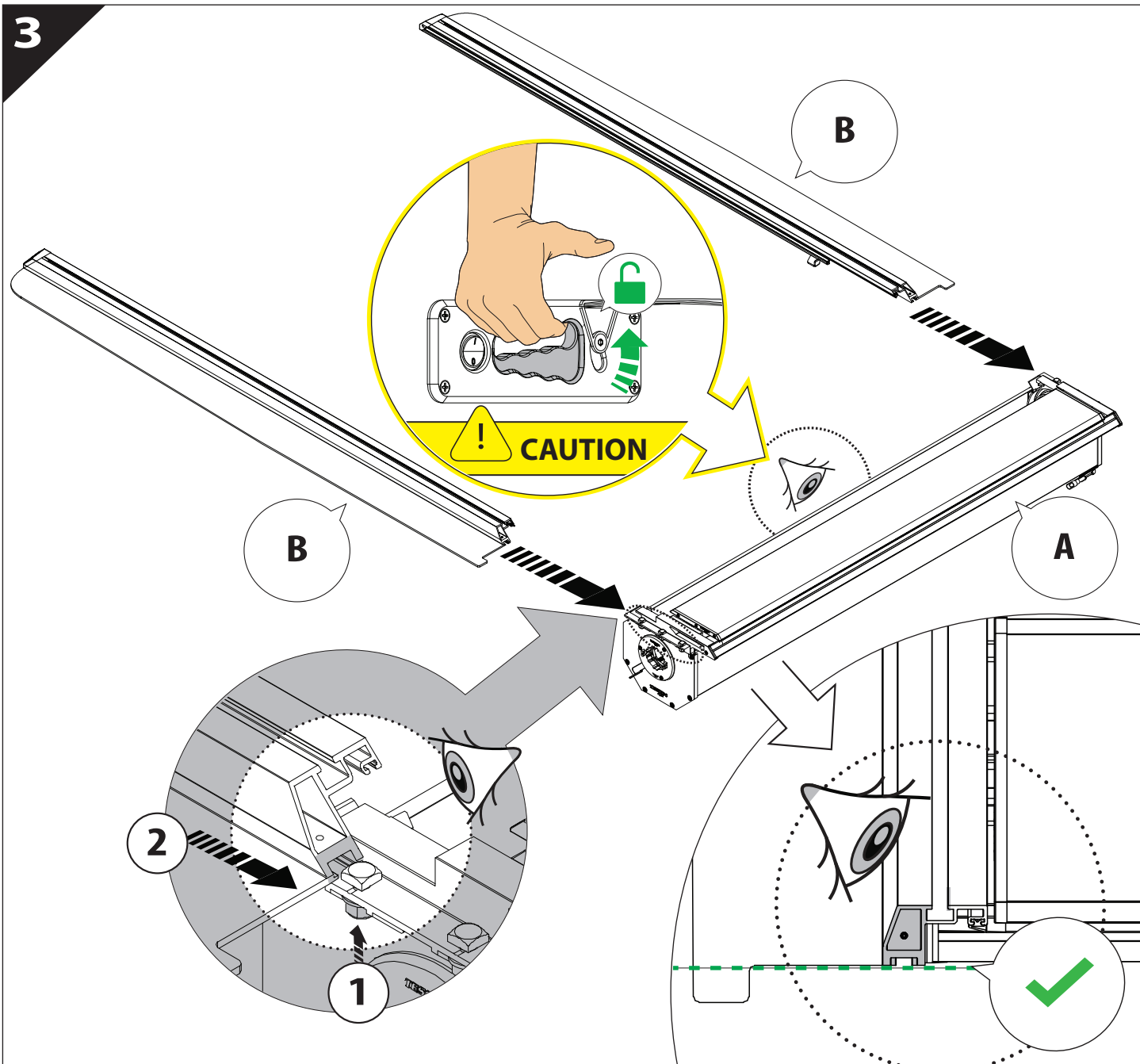
A

KITS

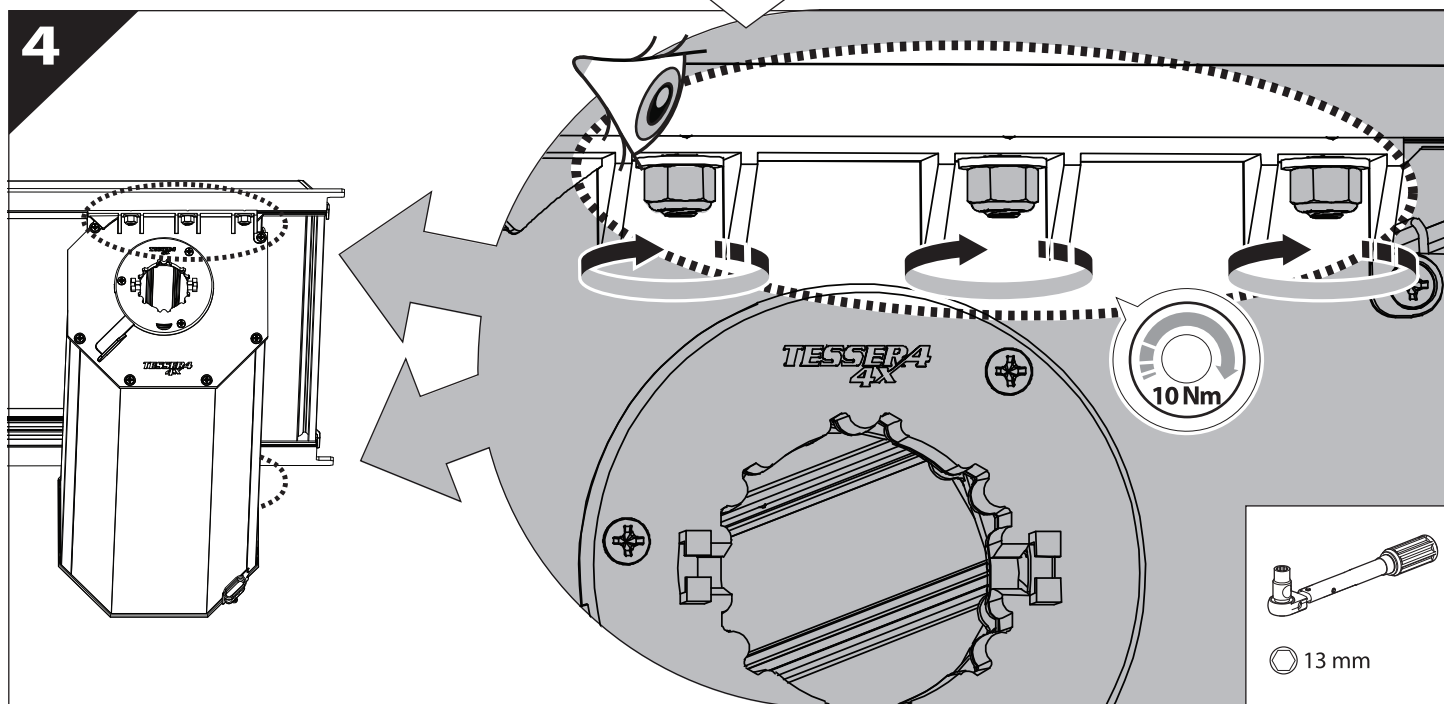
G

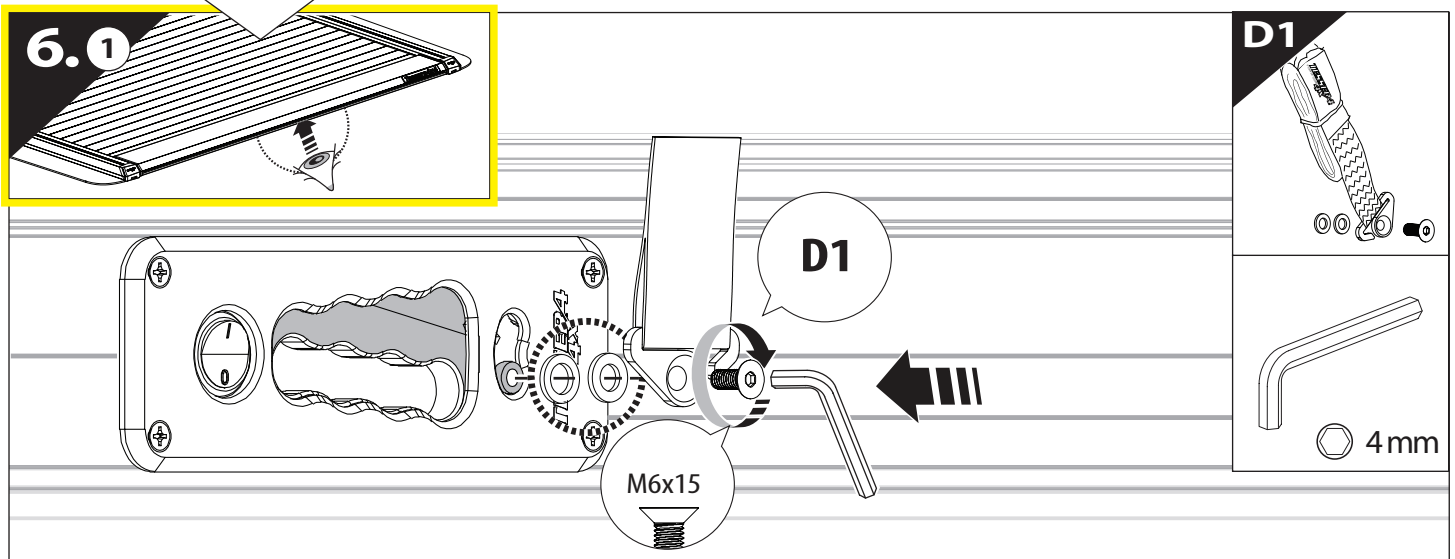
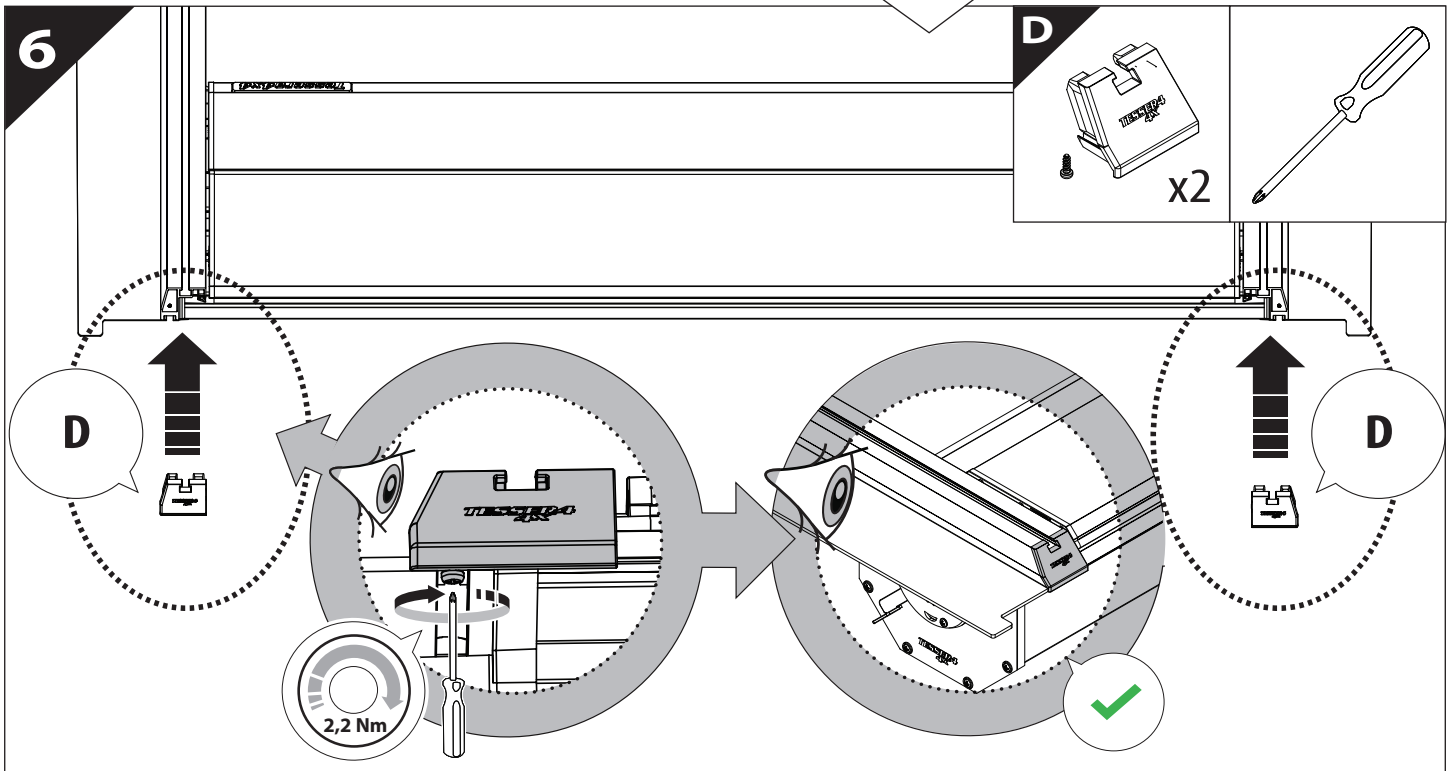
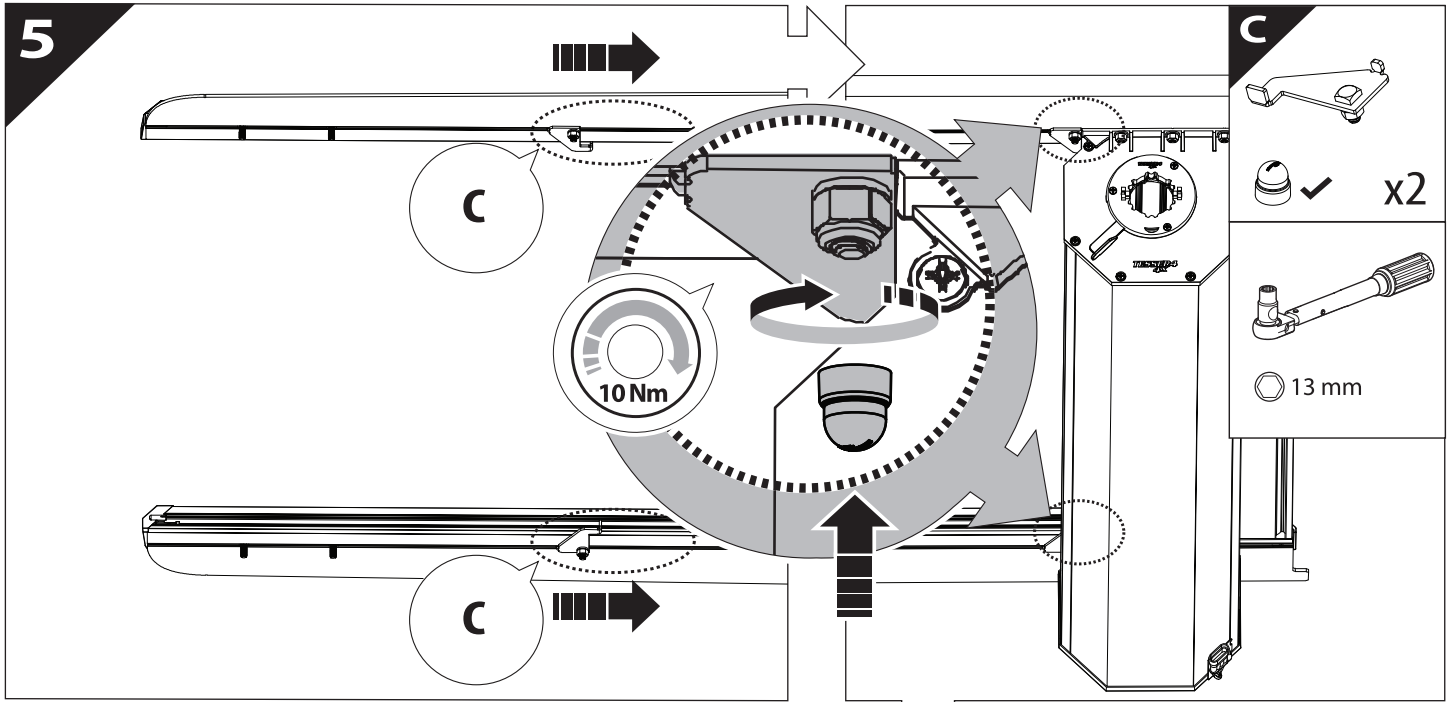


3

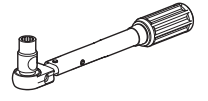
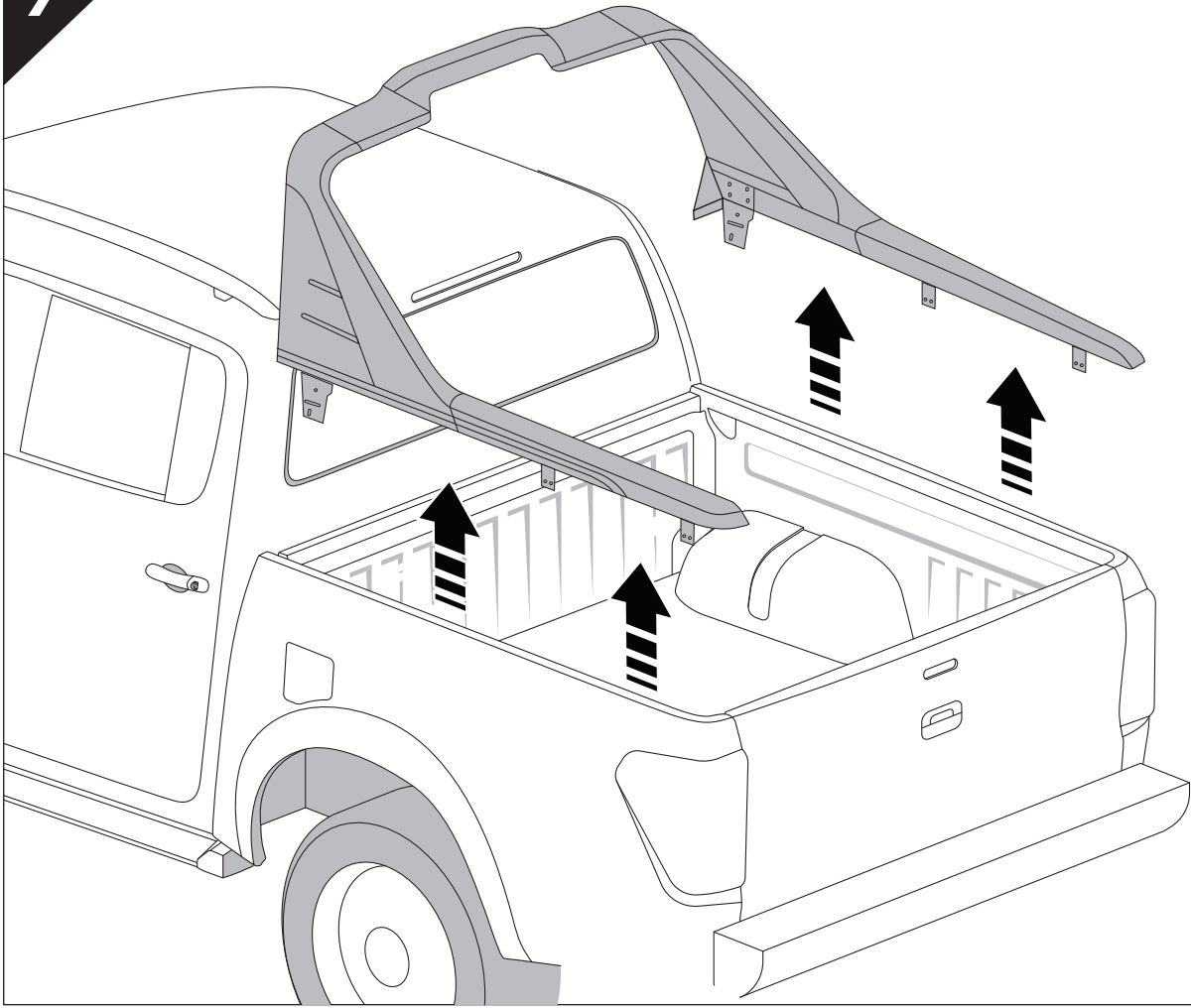


4

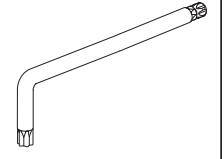




7



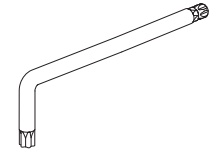
8 mm



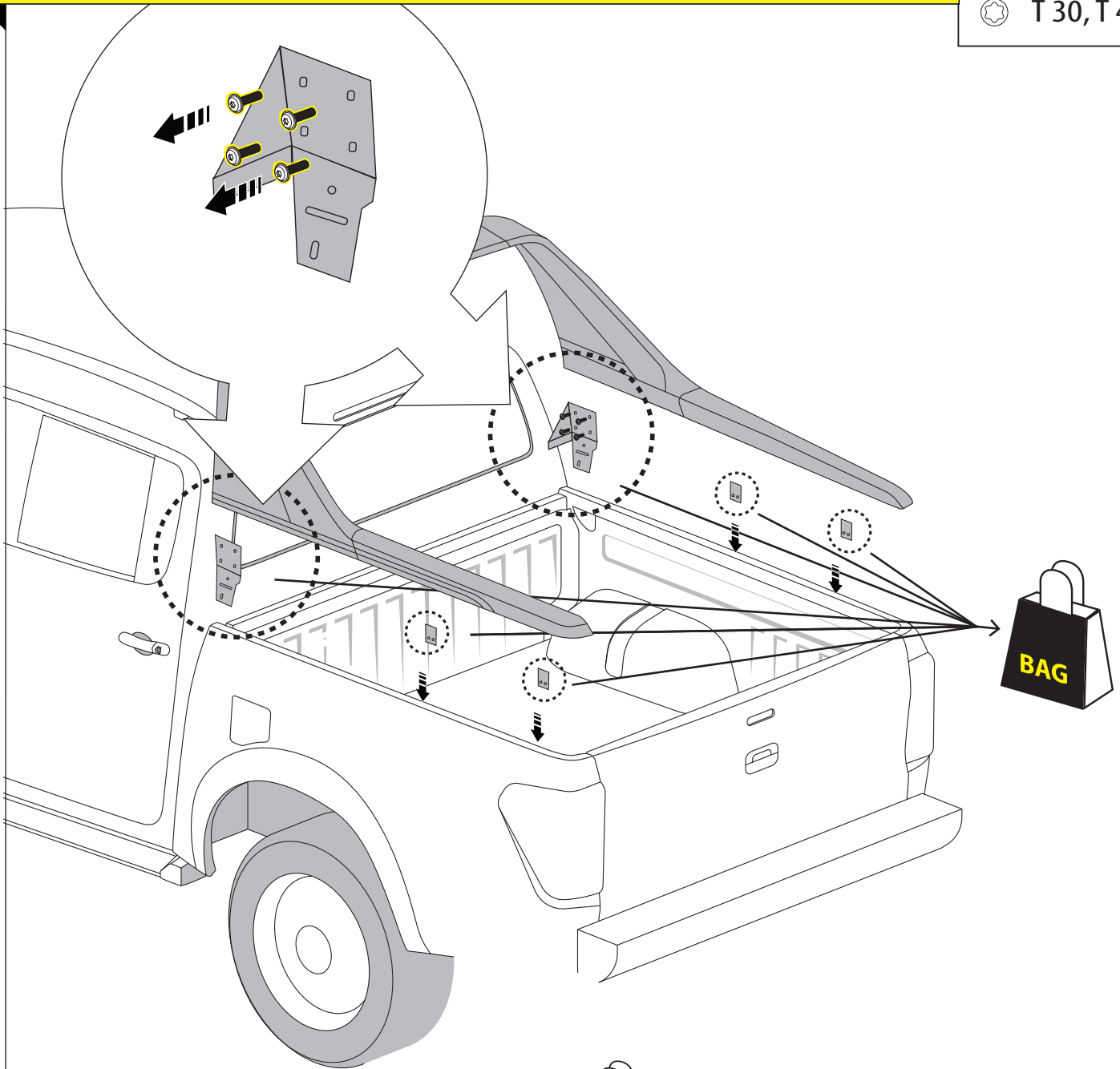
T 45



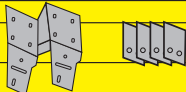
REUSE IN STEP 9



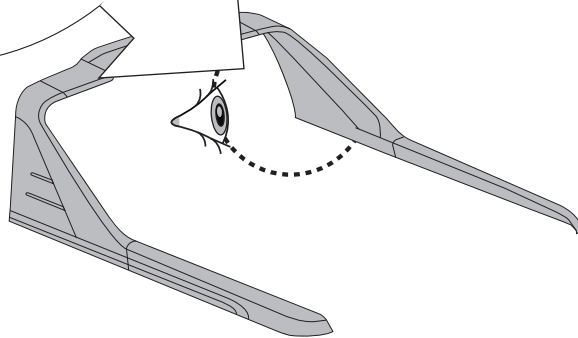
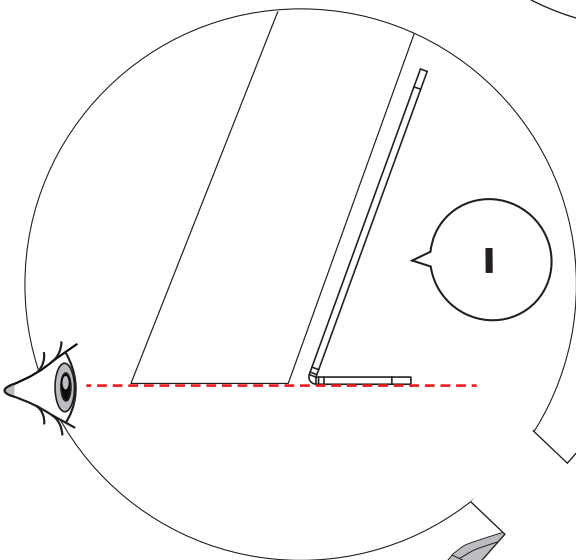
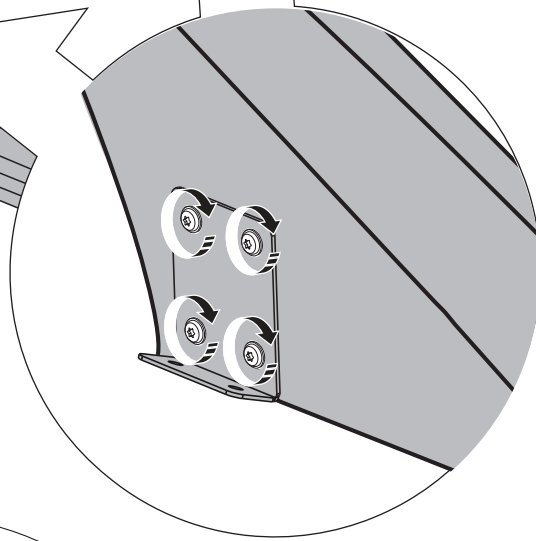
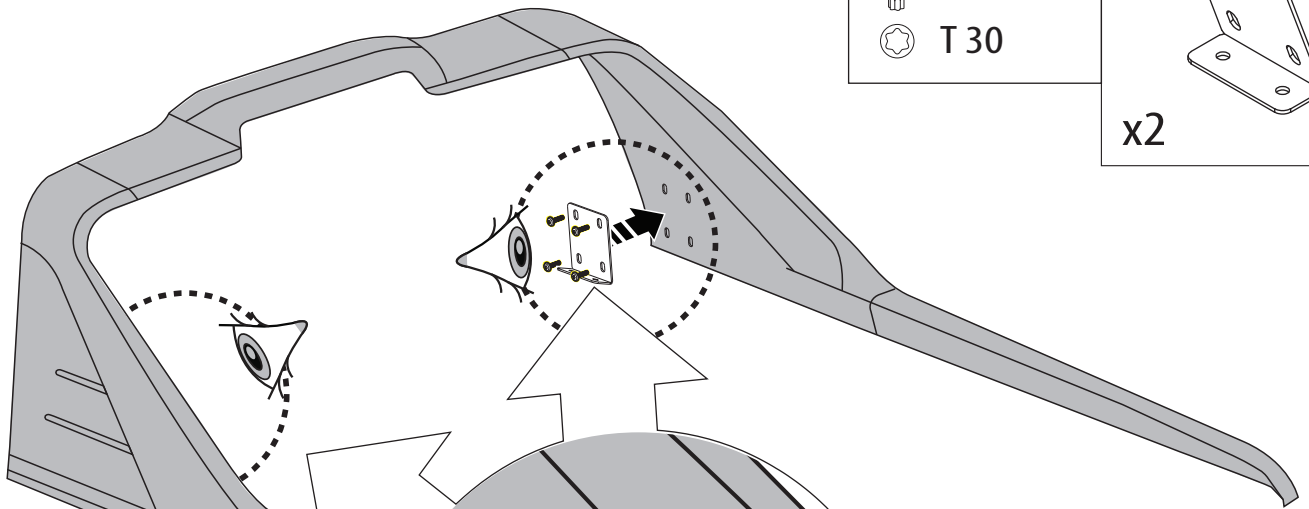
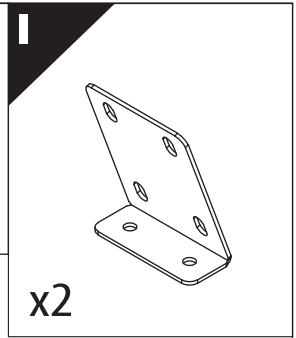
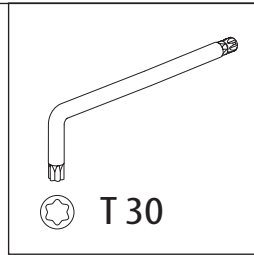
T 30, T 45



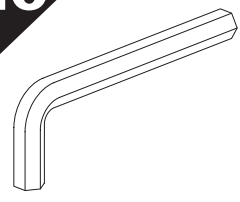

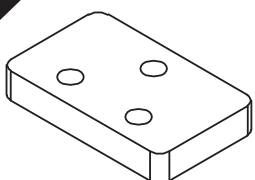
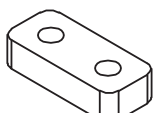
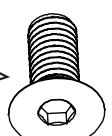
KEEP IN SAFE PLACE

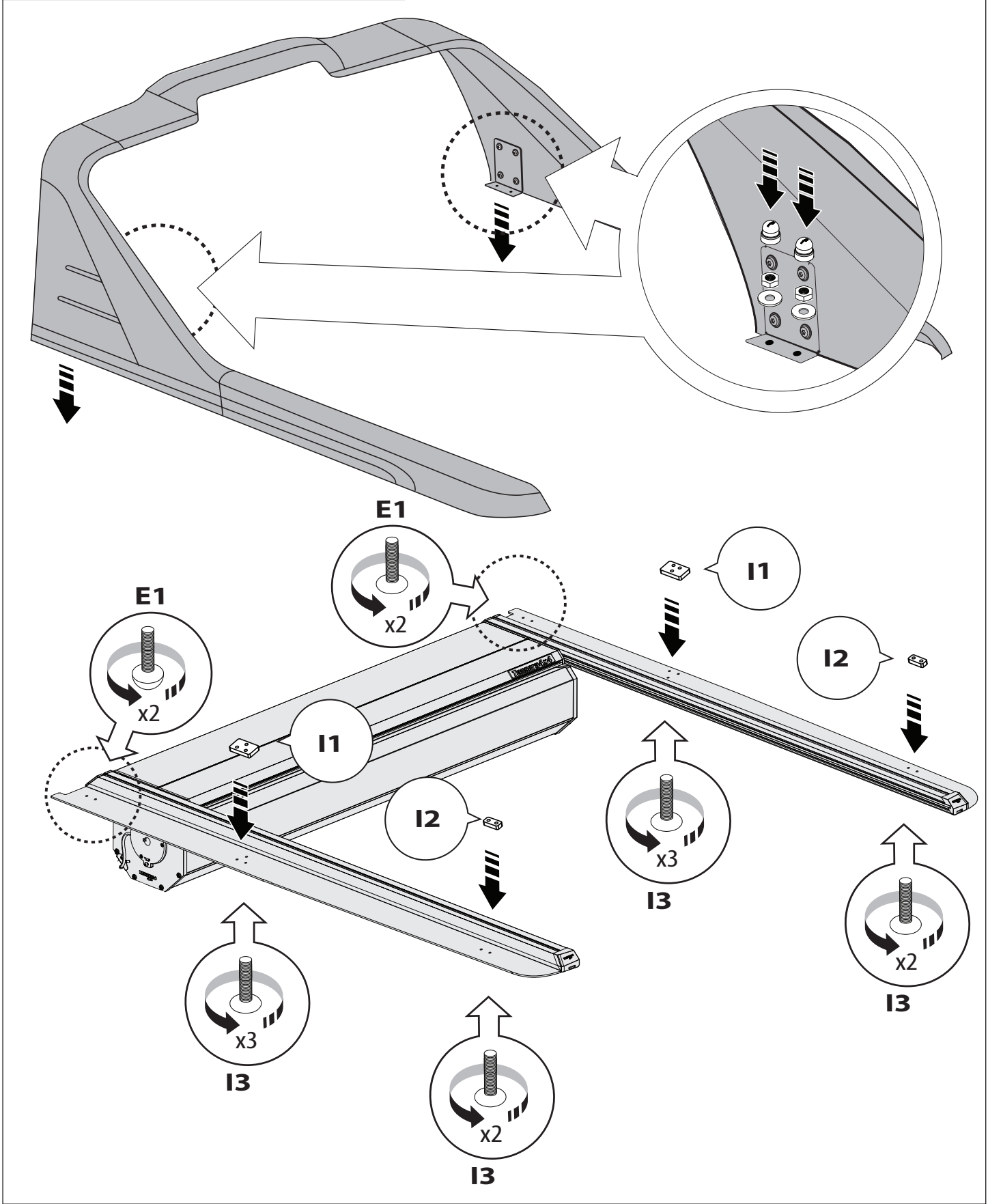


9

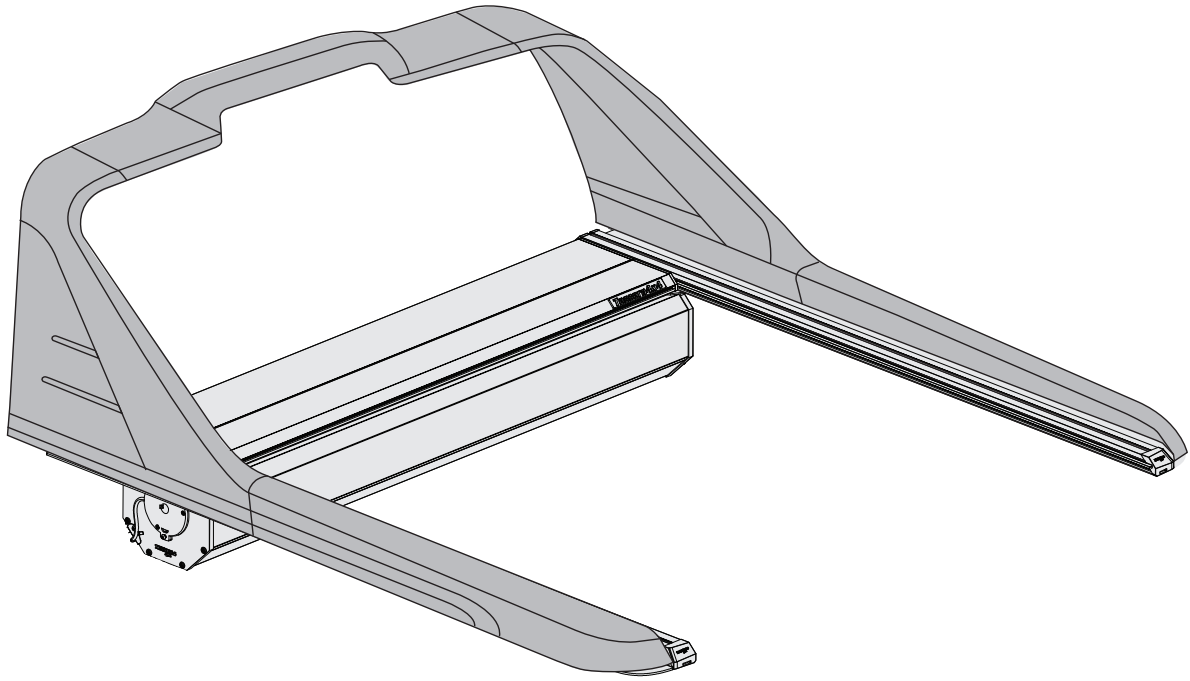


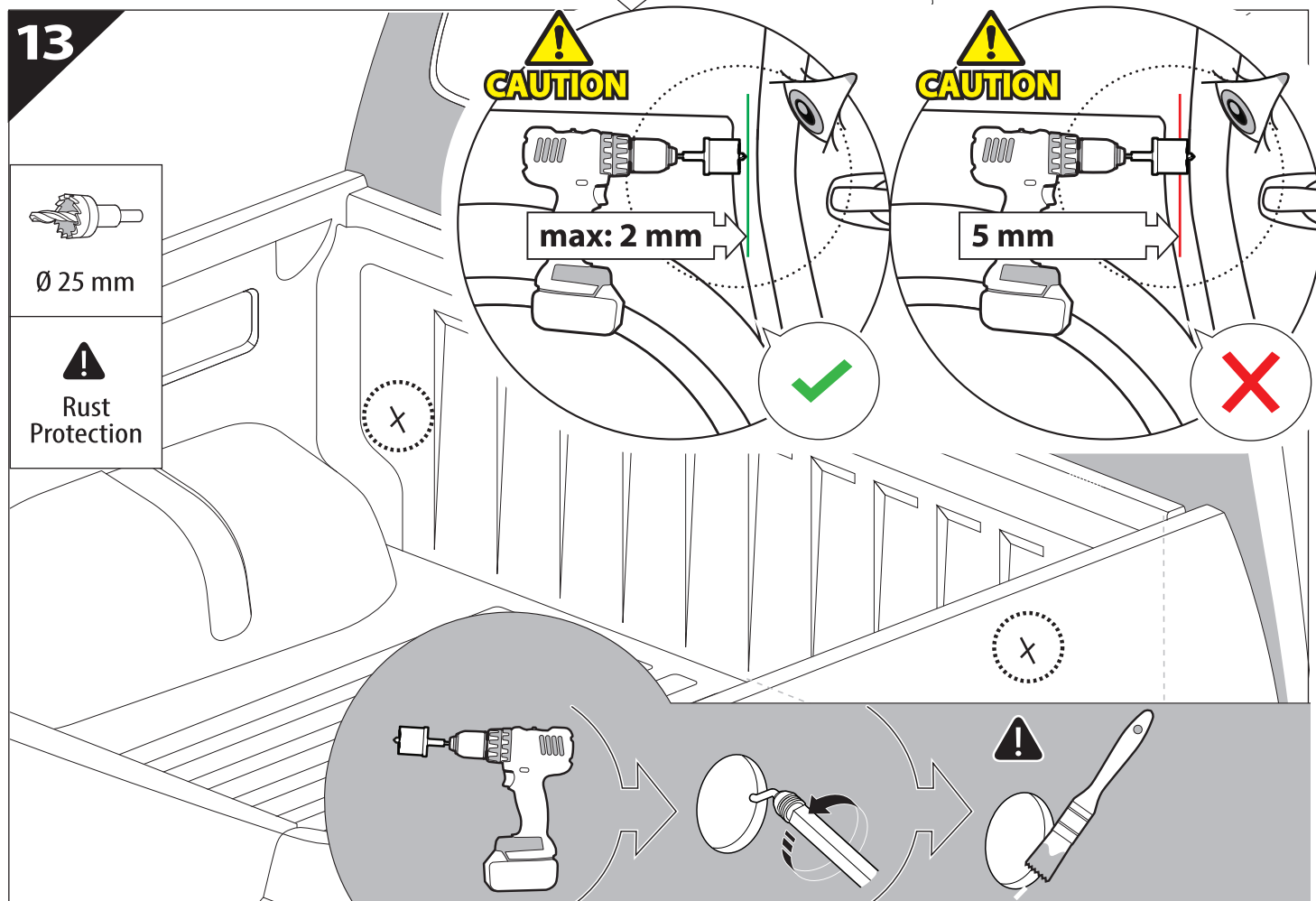
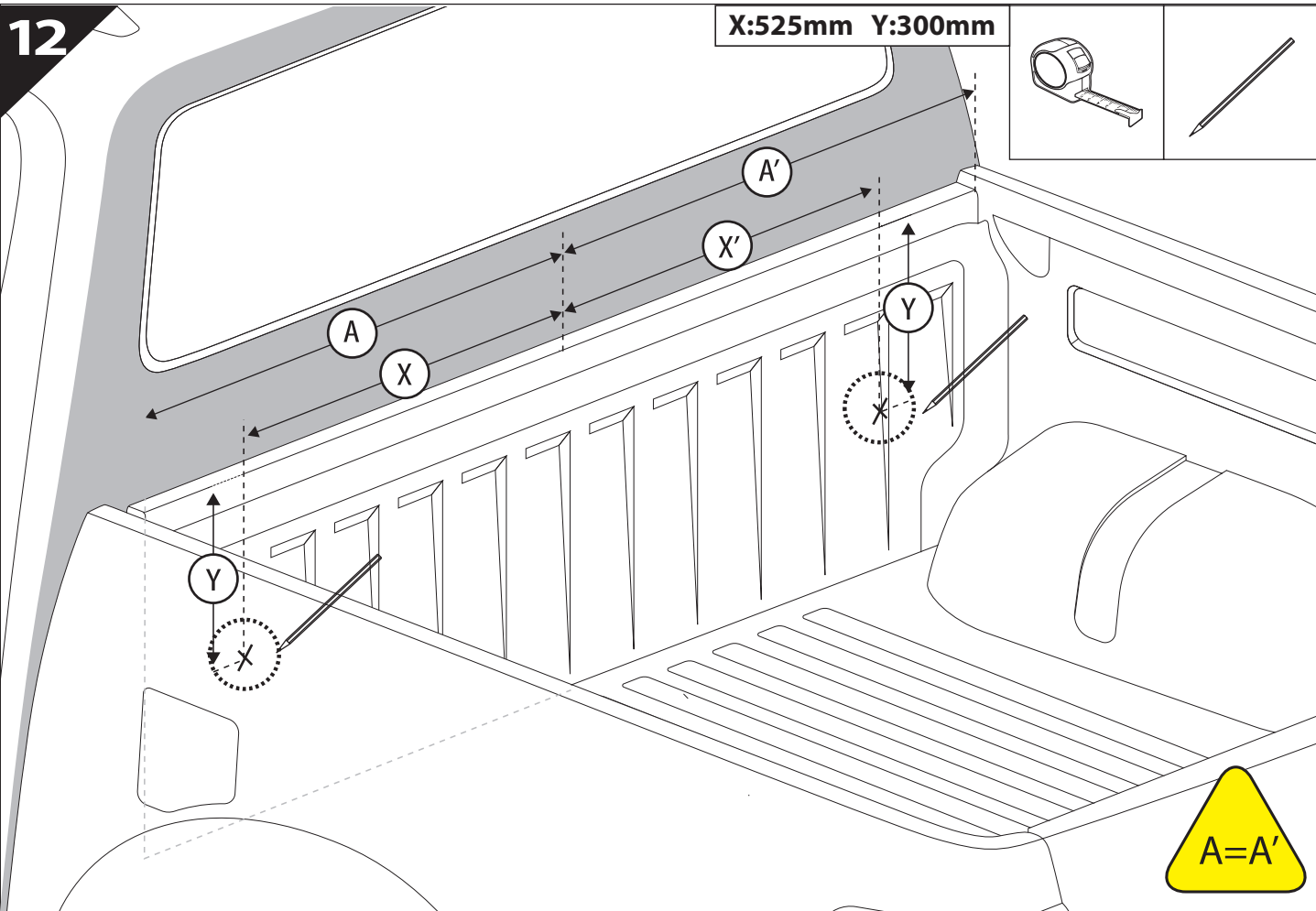
 **USE FROM STEP 8** 

<p>10</p>  <p>4 mm, 5mm</p>	<p>E1</p>  <p>x4</p>	<p>I1</p>  <p>x2</p>	<p>I2</p>  <p>x2</p>	<p>I3</p>  <p>M6X25</p> <p>x10</p>
--	---	--	--	--



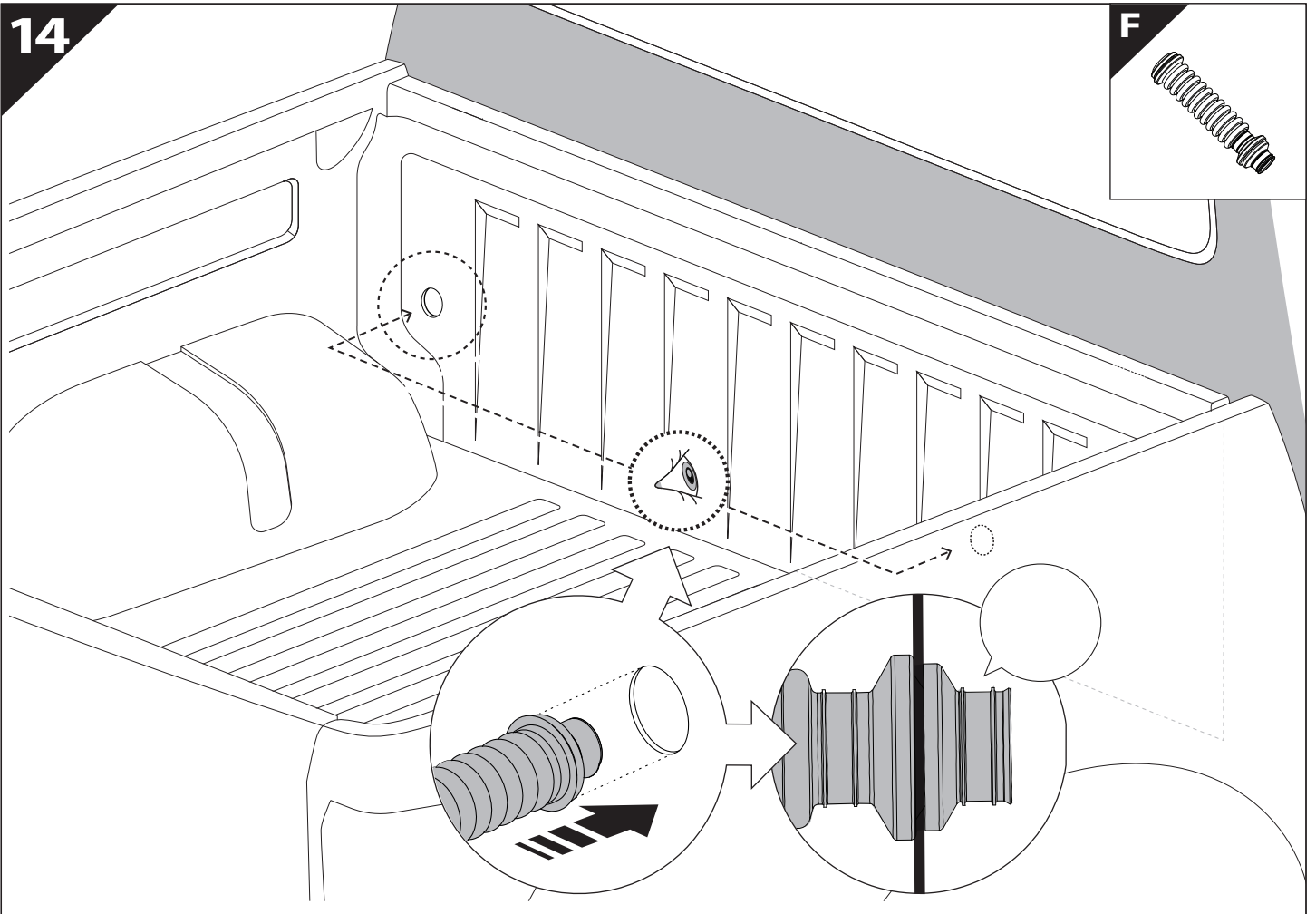
11



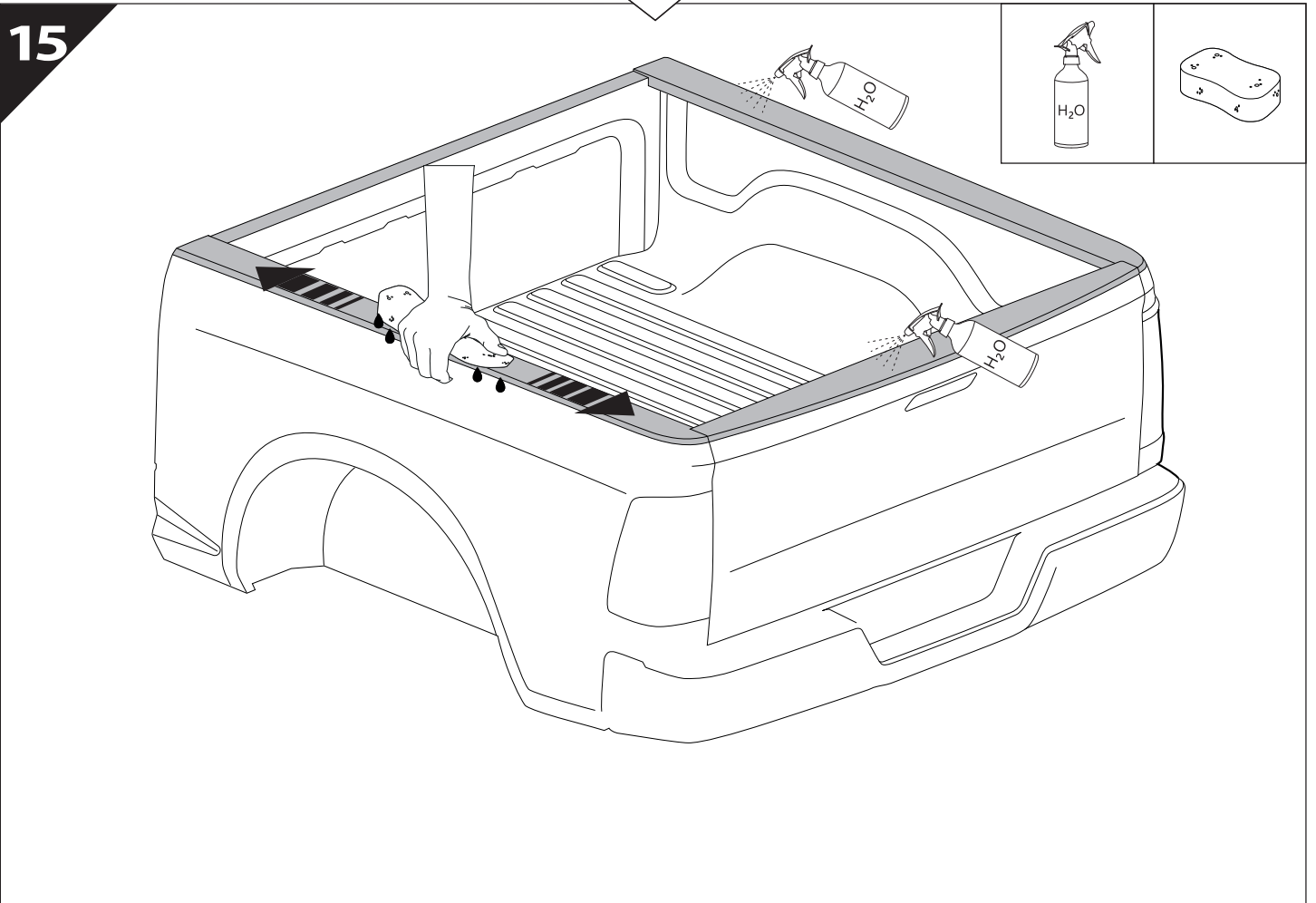


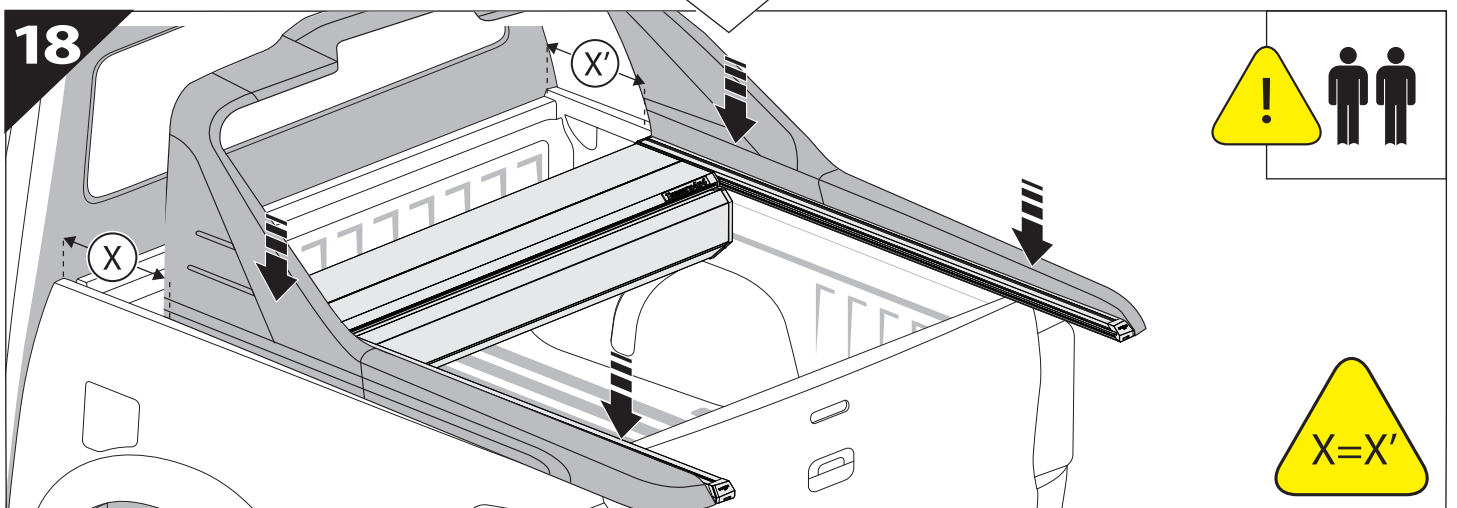
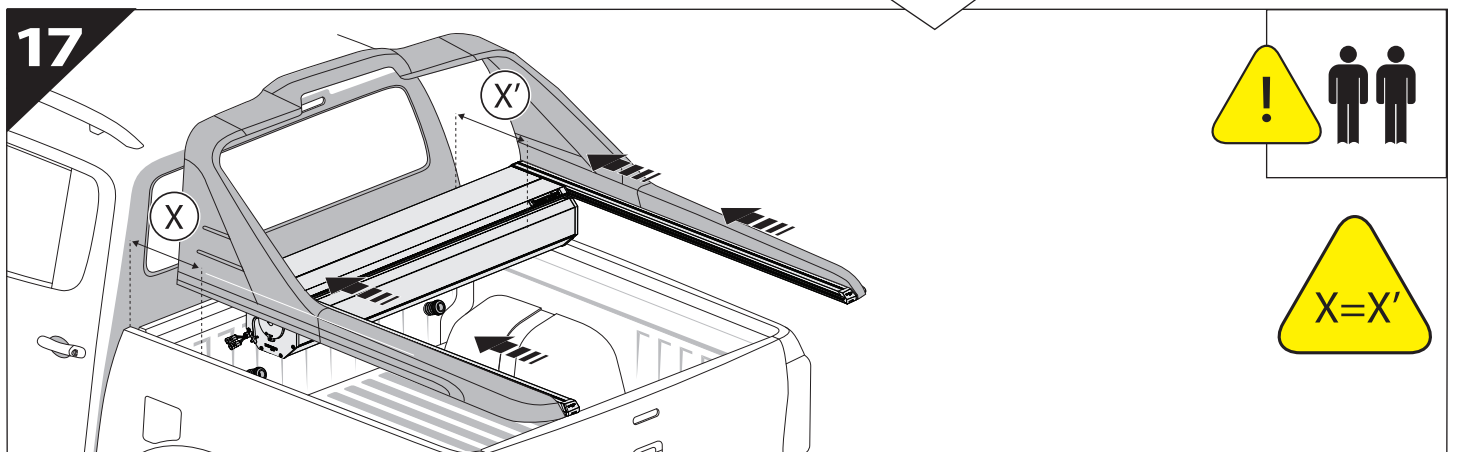
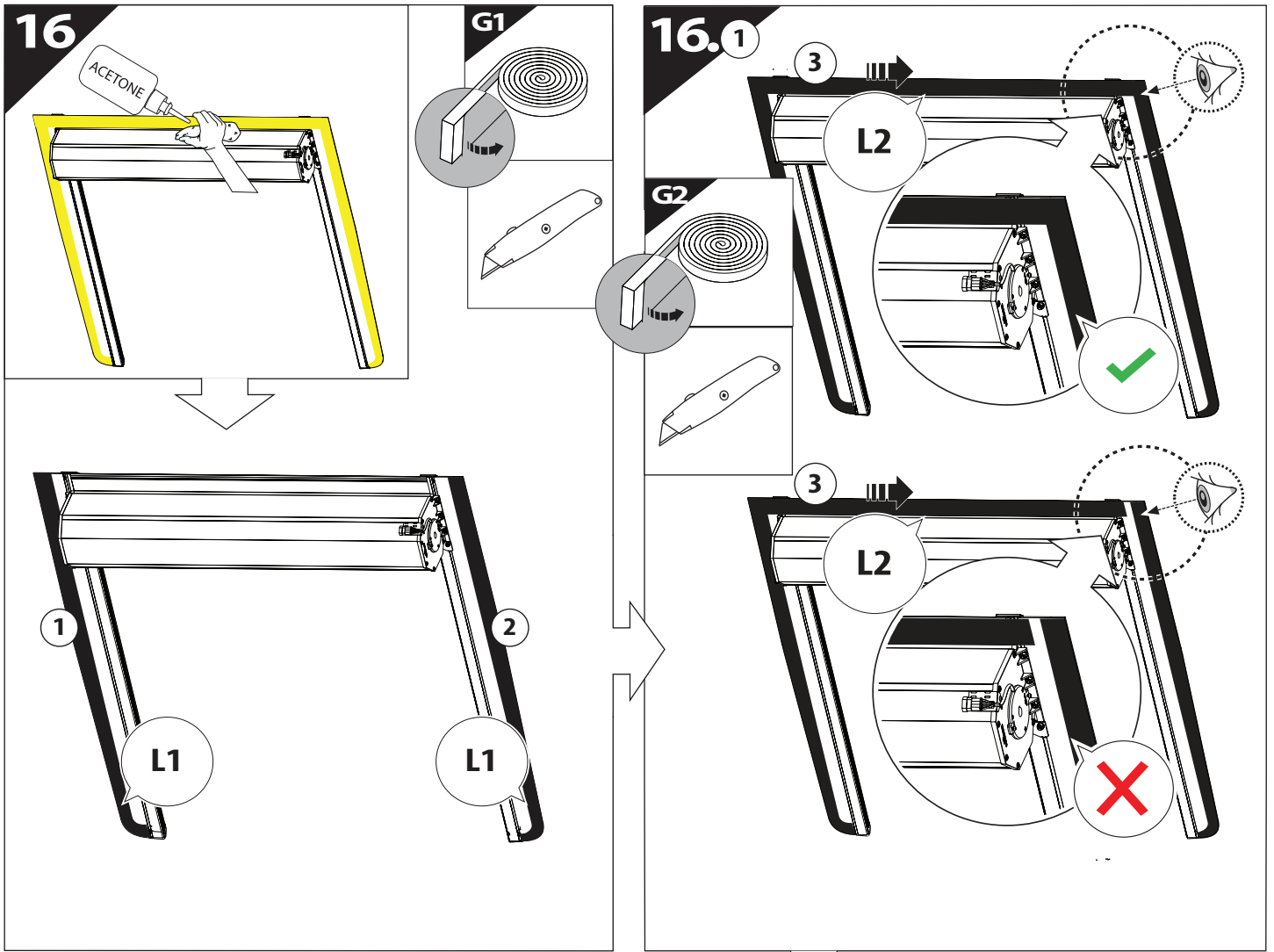
14

F



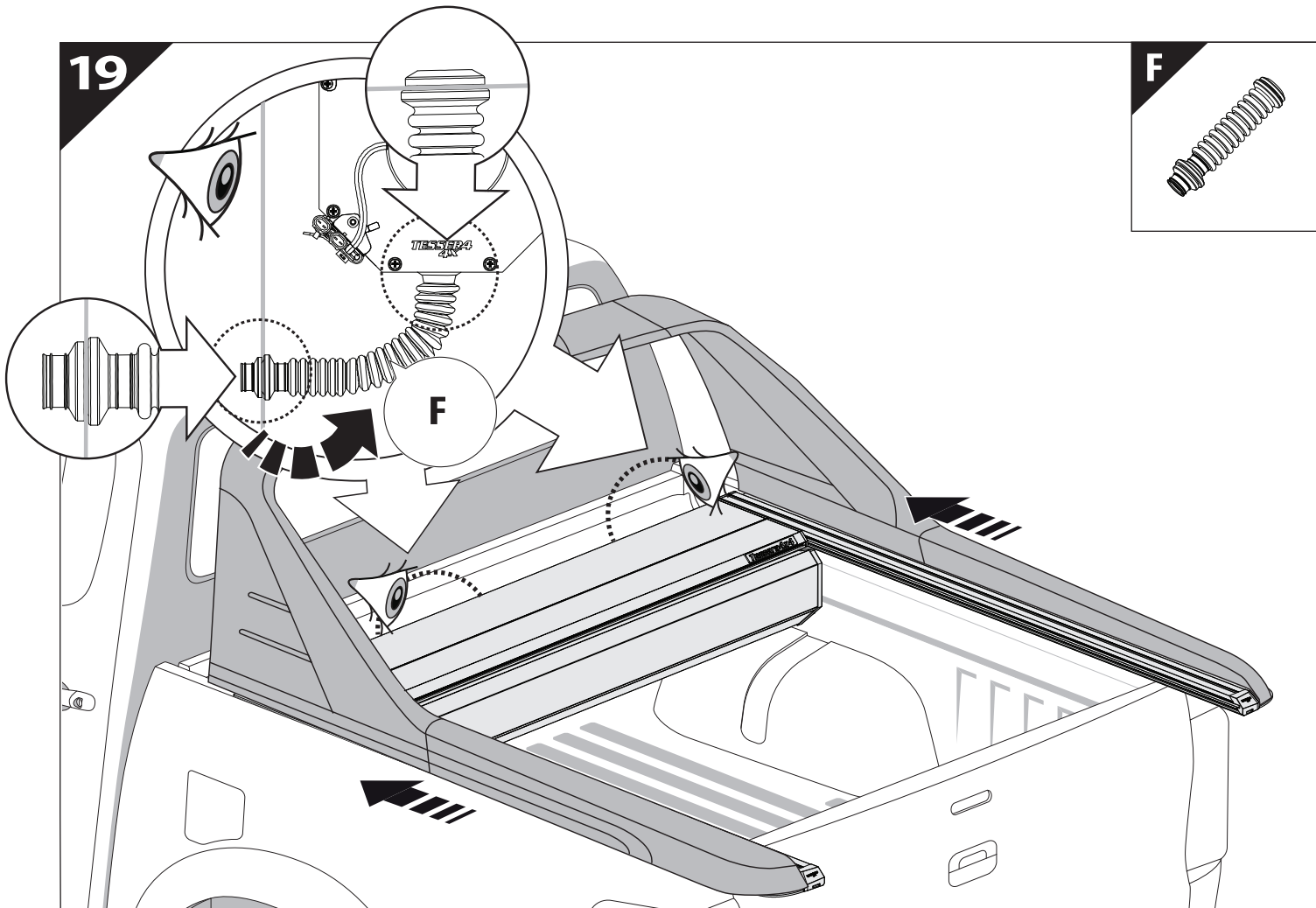
15



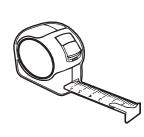
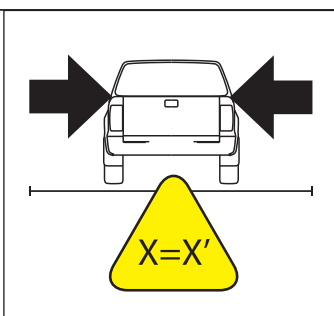
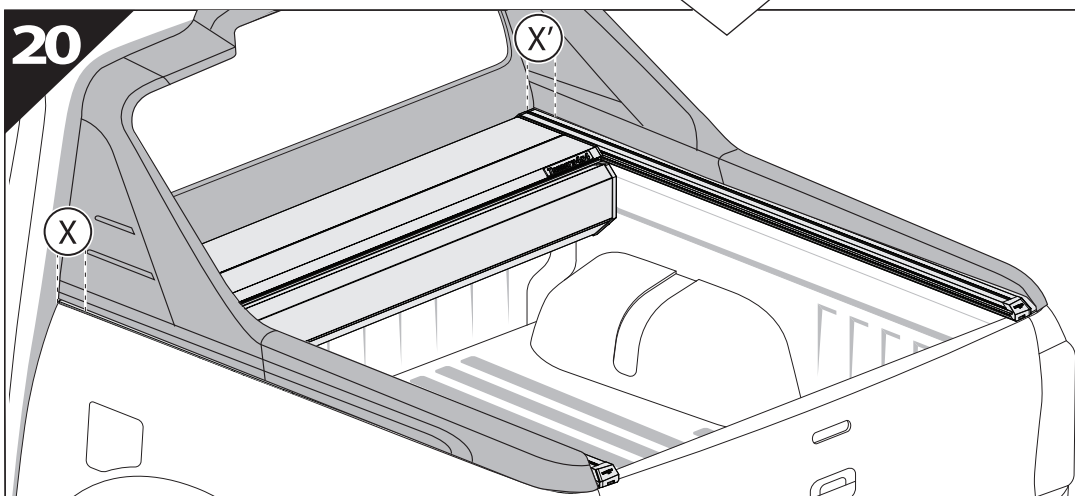


19

F

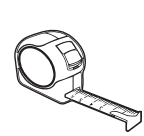
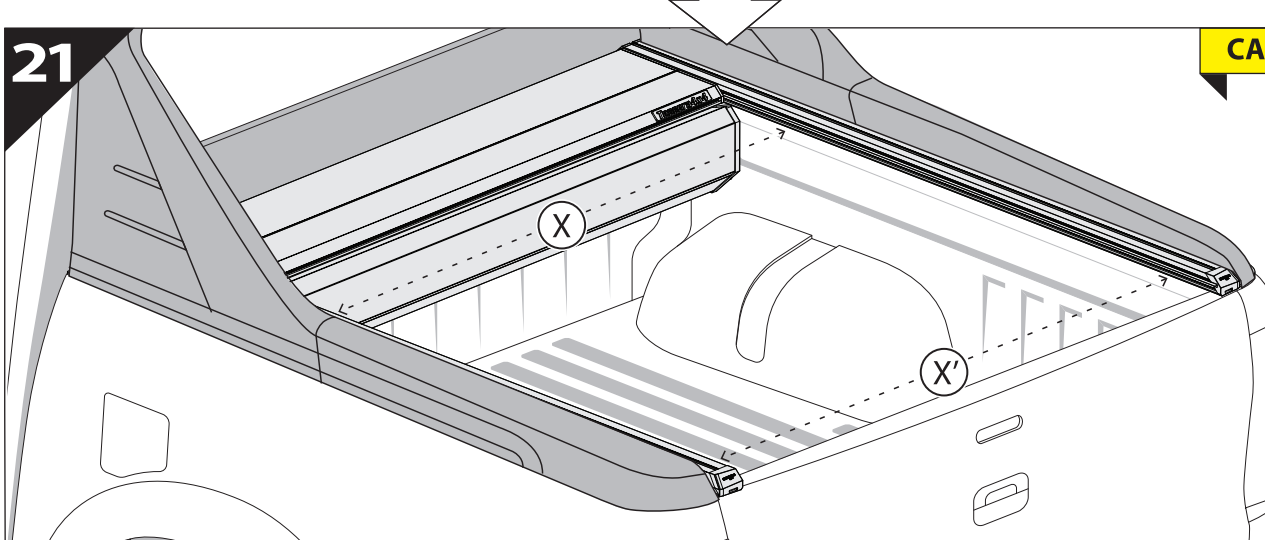


20

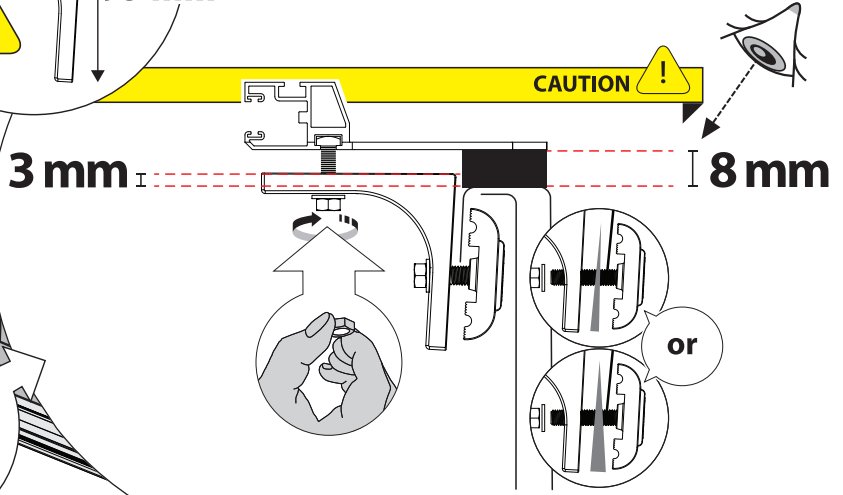
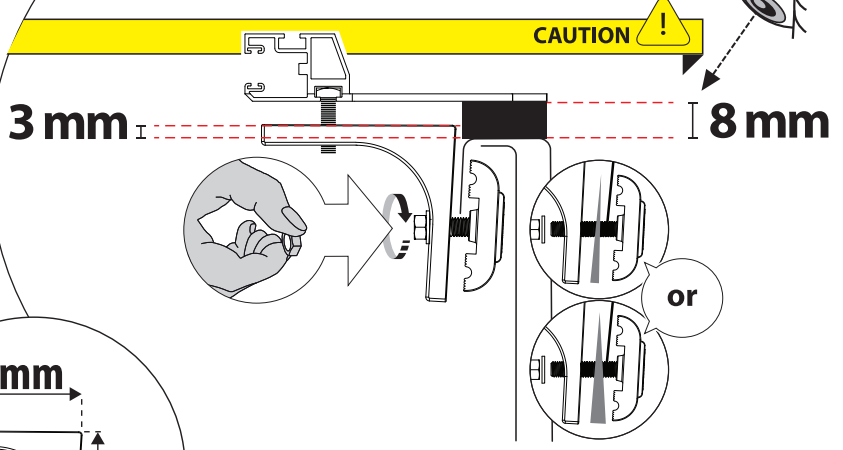
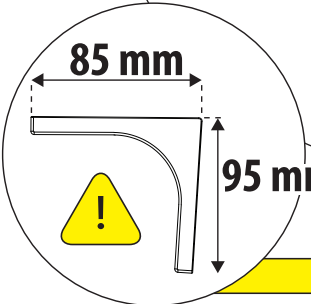
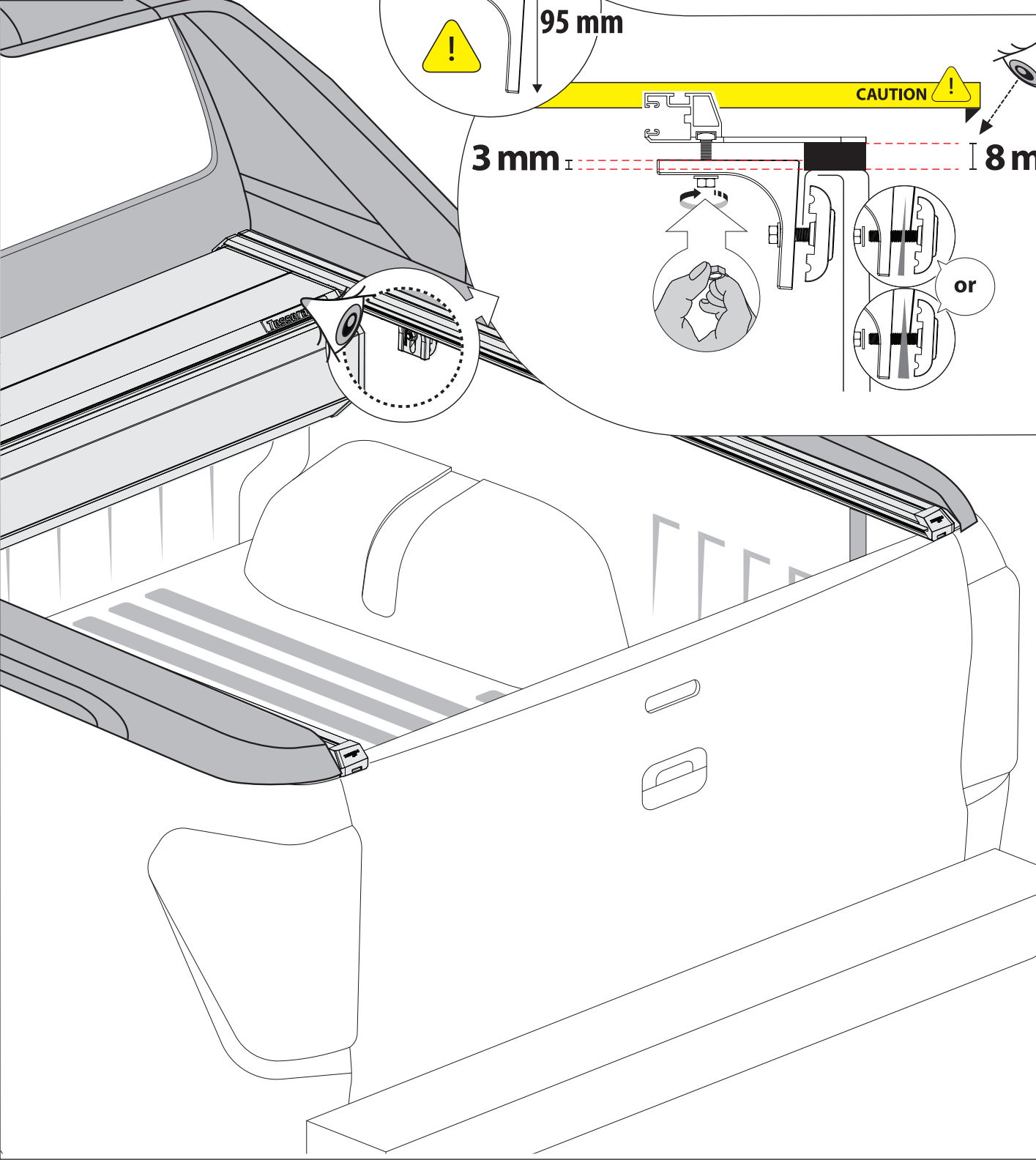
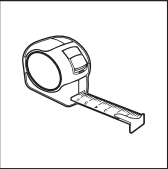
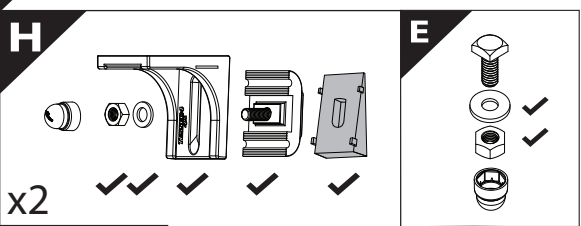


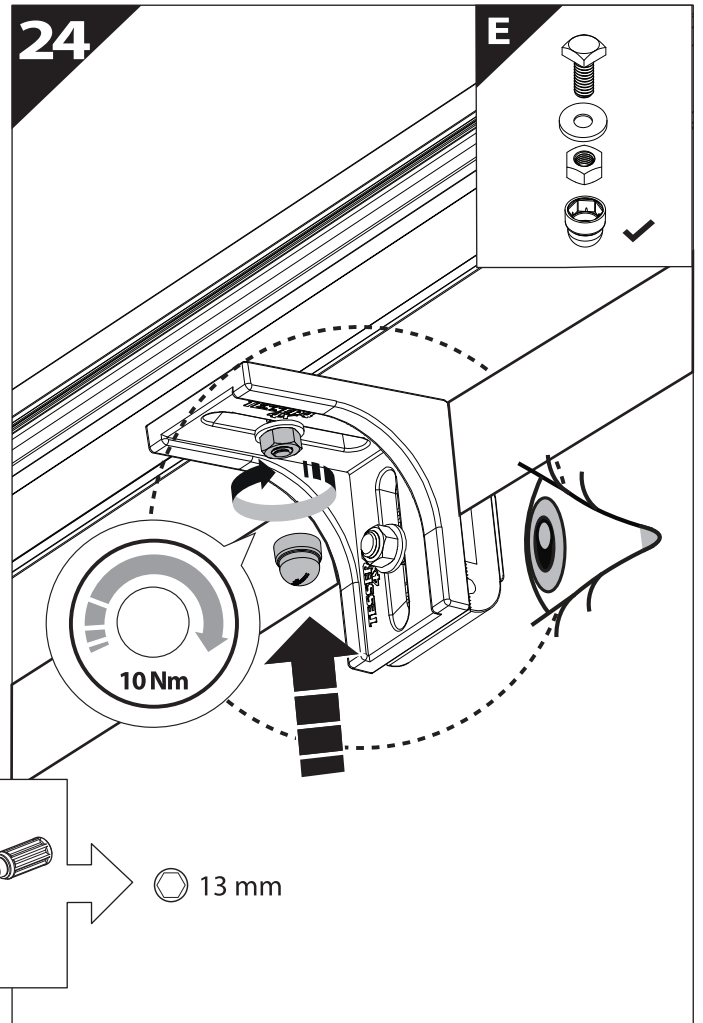
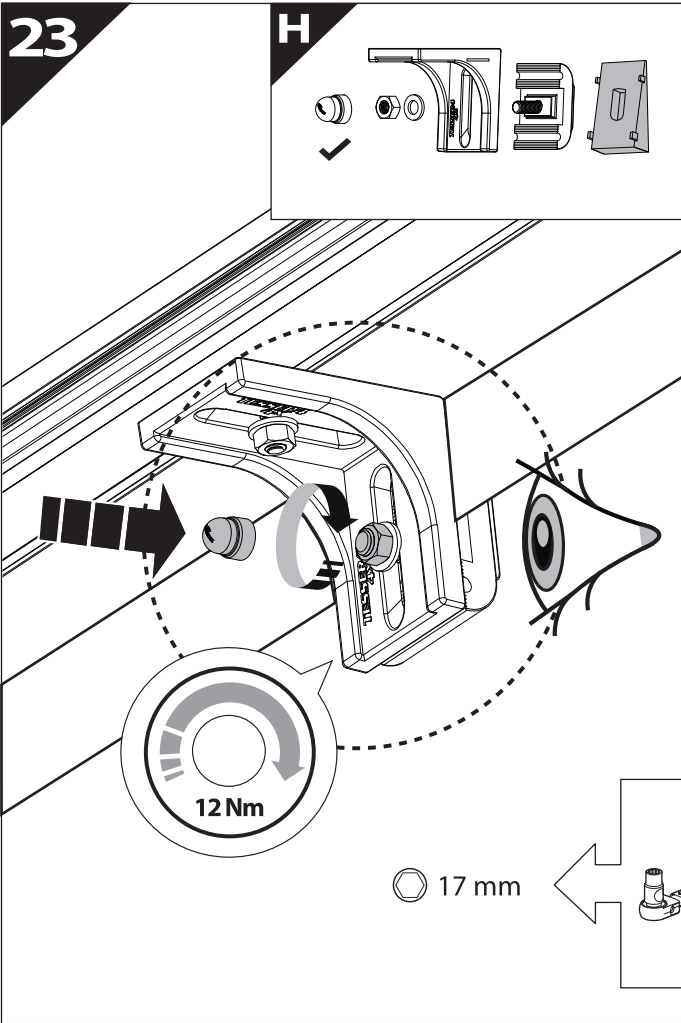
21

CAUTION !

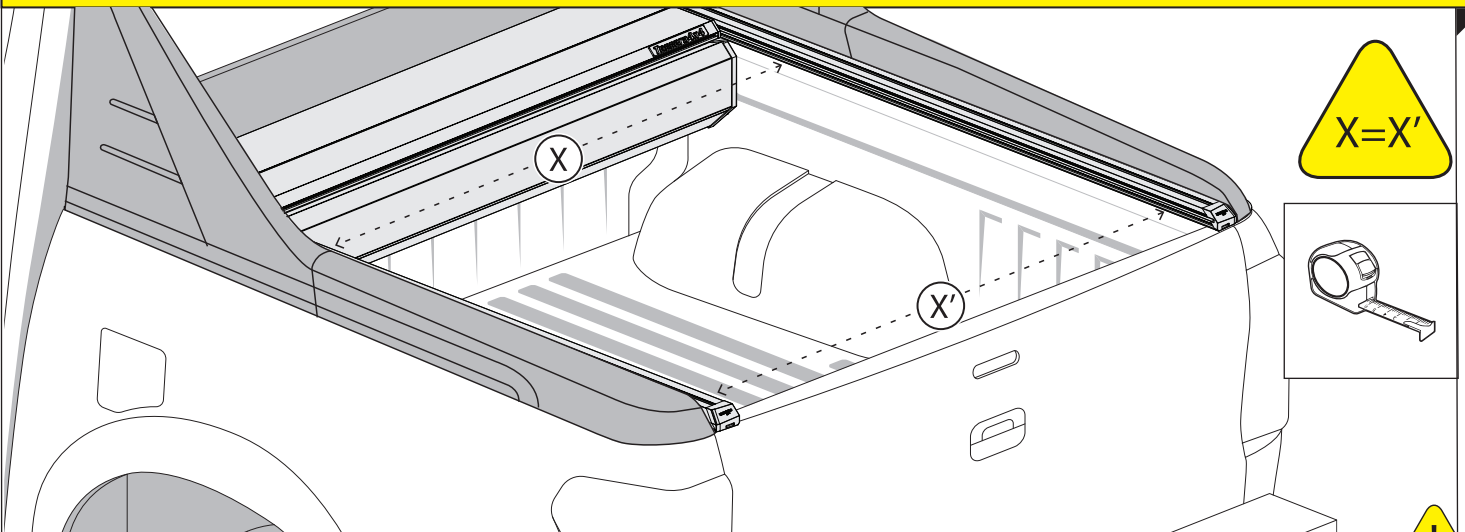


22

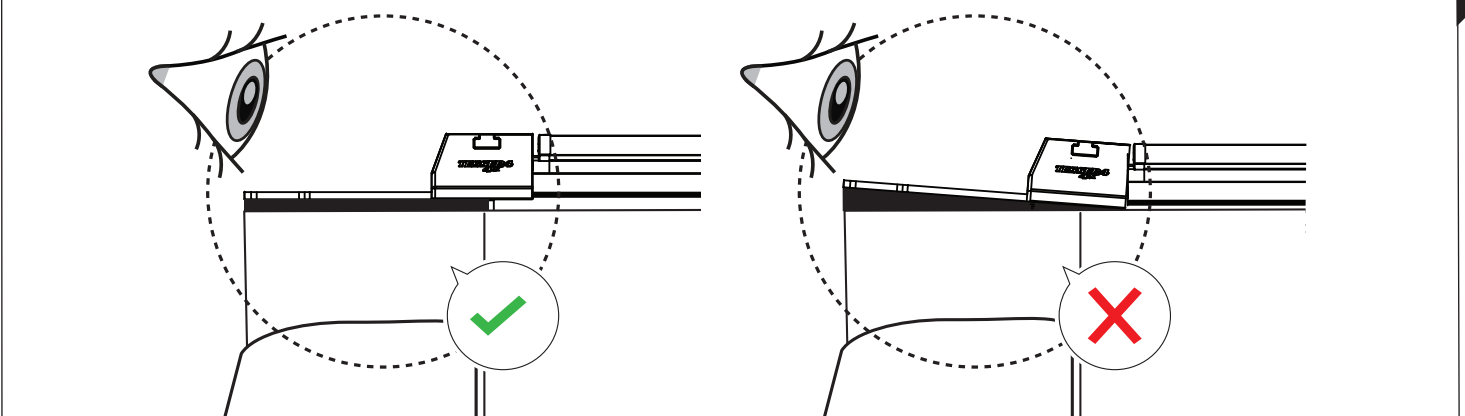


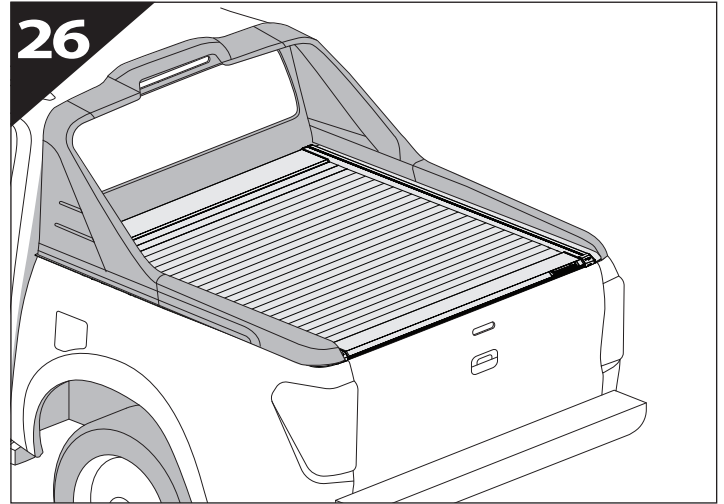
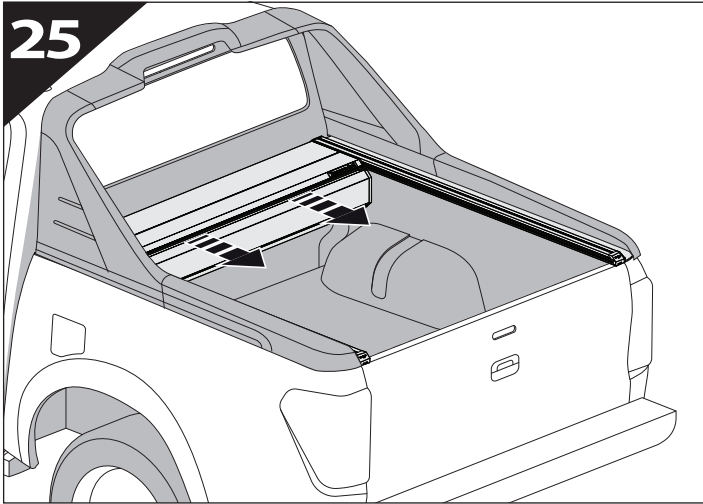


CAUTION !



CAUTION !





GR: Οδηγίες Εγκατάστασης
GB: Installation manual
SF: Asennusohje
F: Notice de montage
PL: Instrukcja montażu
NL: Installatie-instructies
TR: Montaj Talimatı
S: Monteringsanvisning
E: Instrucciones de montaje

H: Szerelési utasítás
P: Instruções de instalação
RUS: Инструкция по установке
N: Monteringsveiledning
D: Einbauanleitung
CZ: Návod k instalaci
I: Istruzioni de montaggio
DK: Monteringsvejledning
RO: Instructiuni de instalare

Customer Service:

+30 (210) 5541161, +30 (210) 5541154 (08:00 - 16:00 EET)

Support department:

info@gianso.gr

Website:

www.tessera4x4.com

Address:

19.5 km of National road Athens-Korinthos (Elefsina) Greece, P.C: 19200