

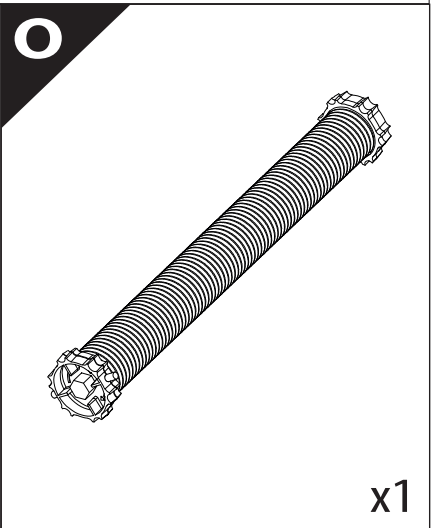
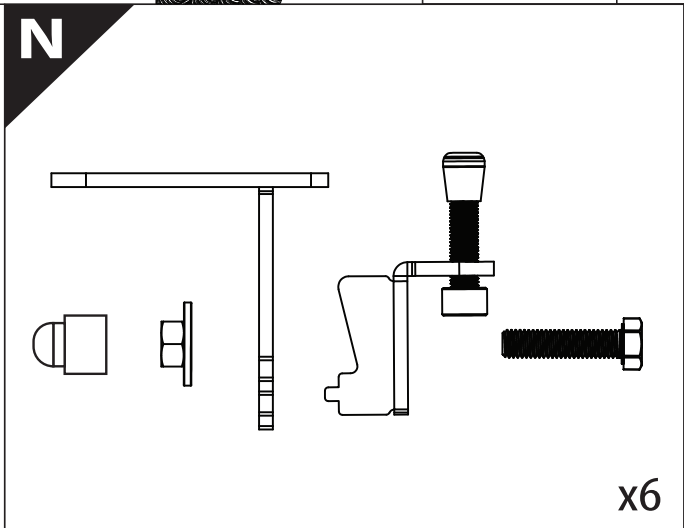
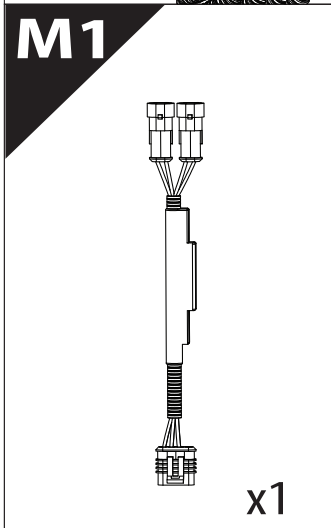
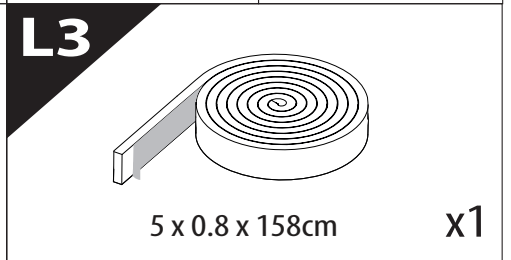
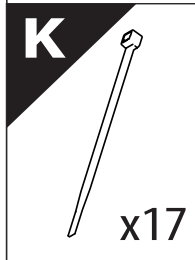
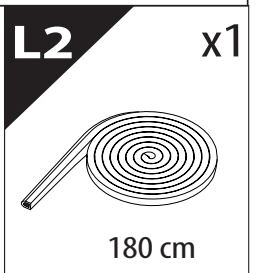
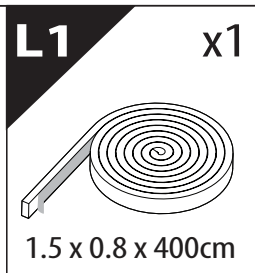
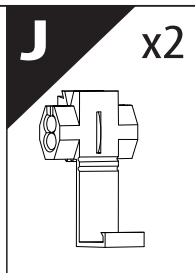
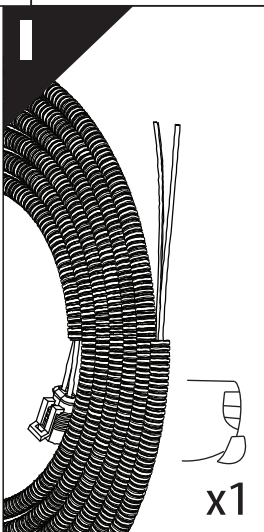
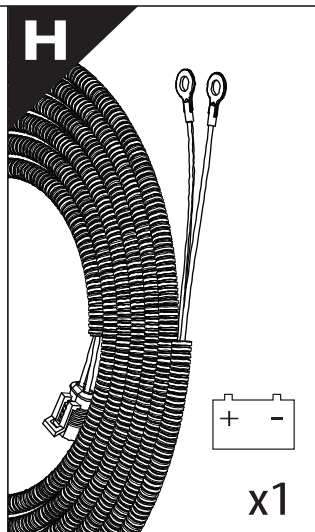
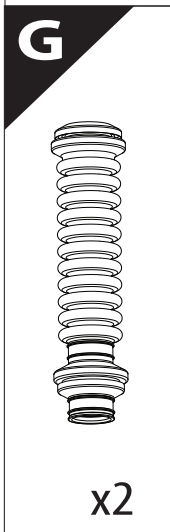
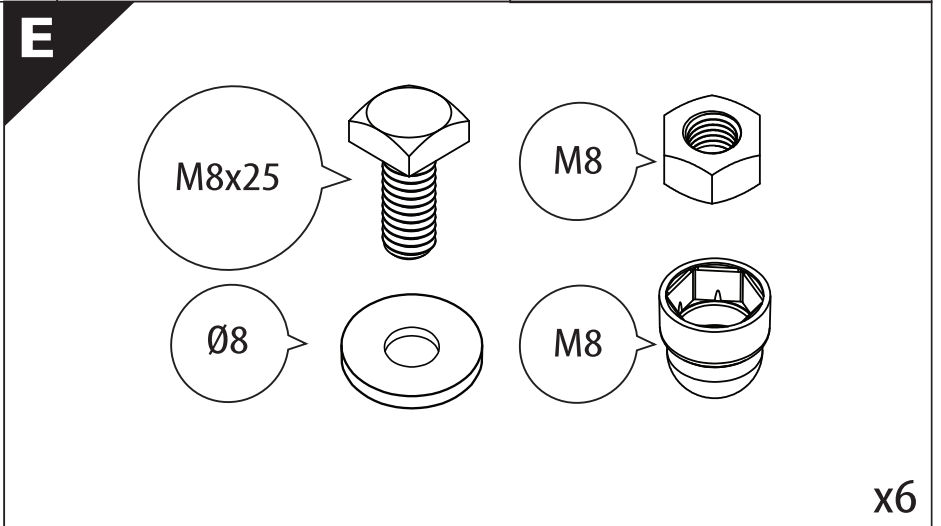
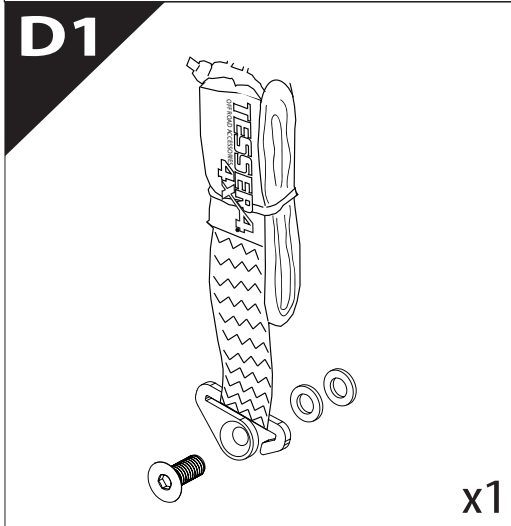
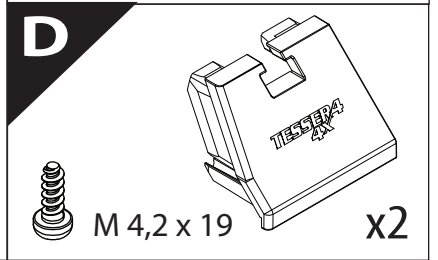
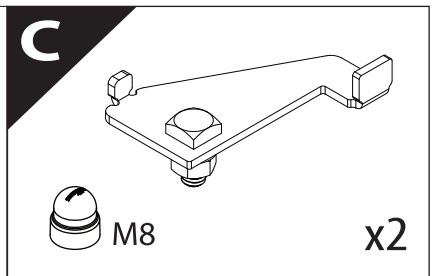
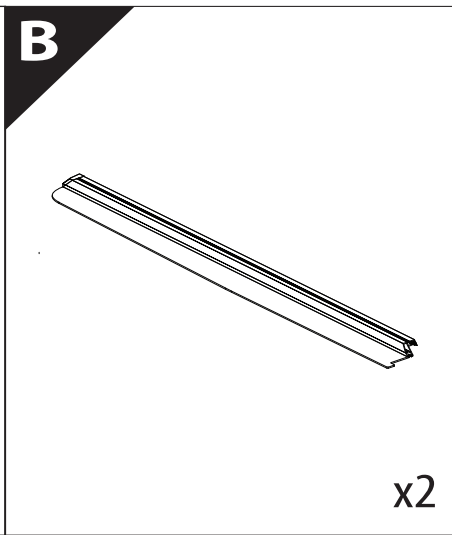
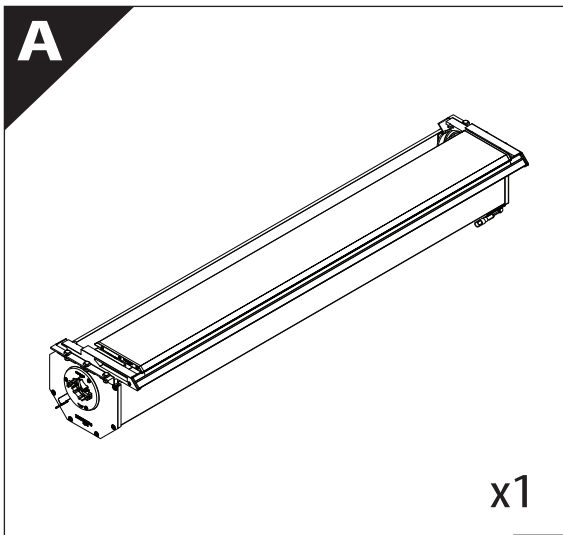
Tessera Roll+

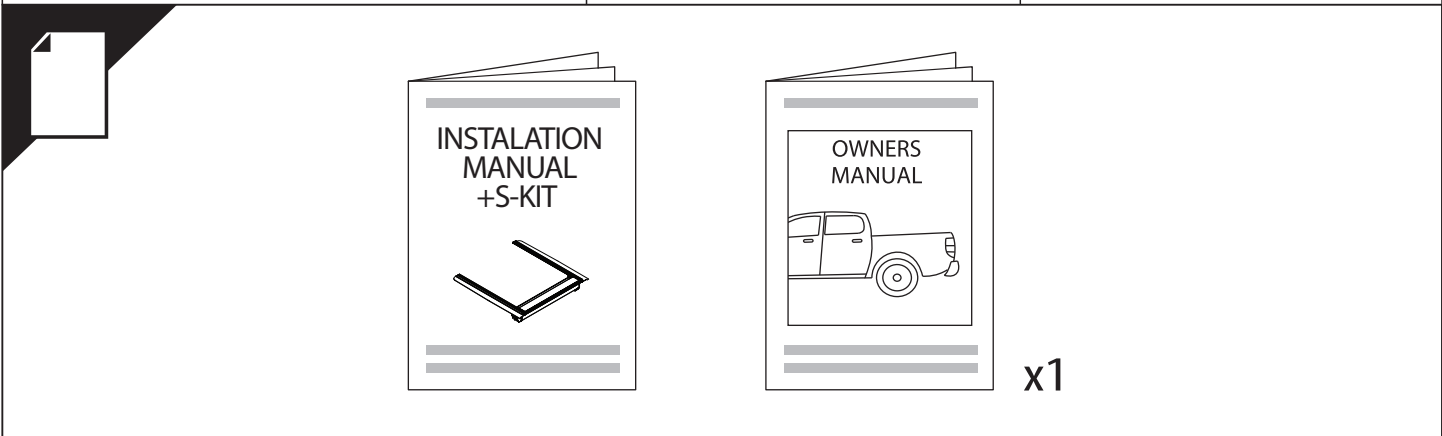
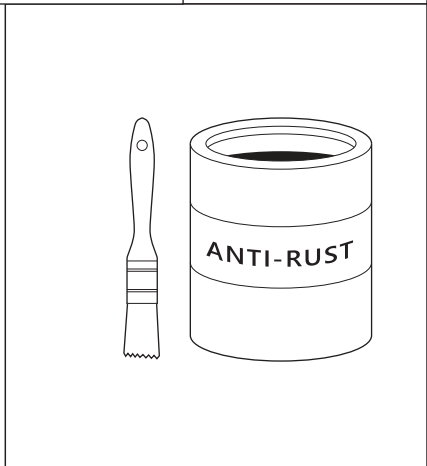
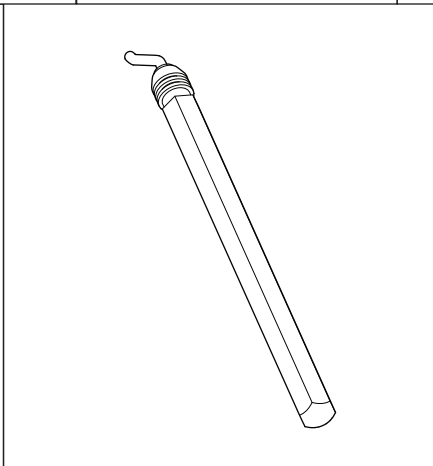
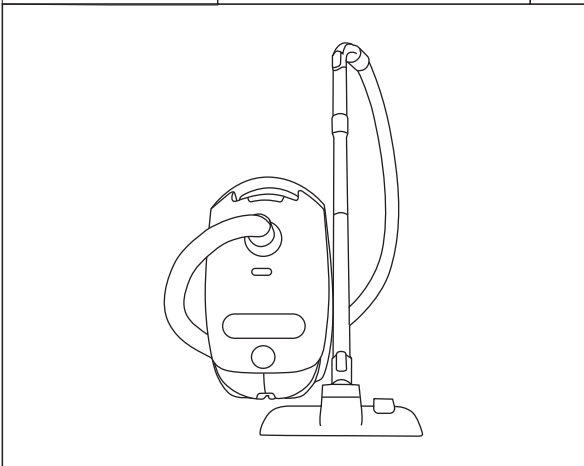
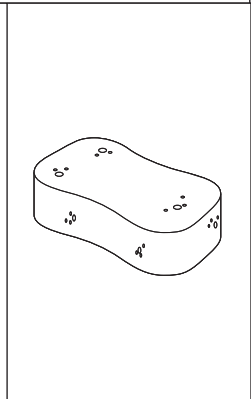
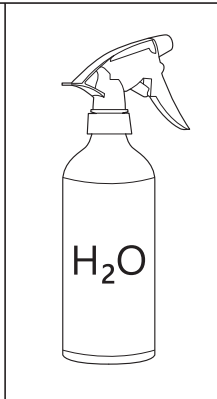
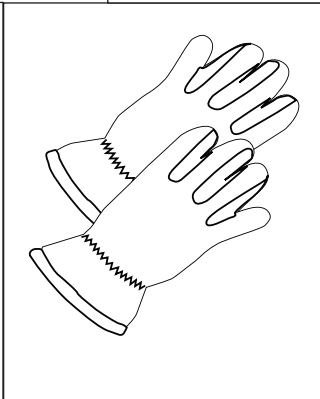
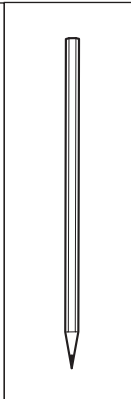
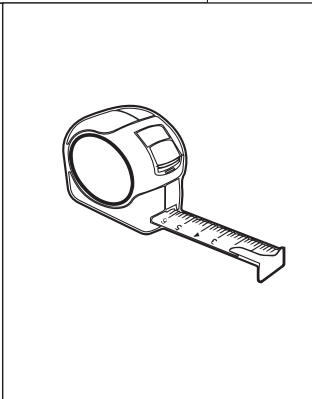
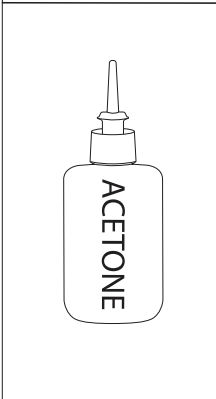
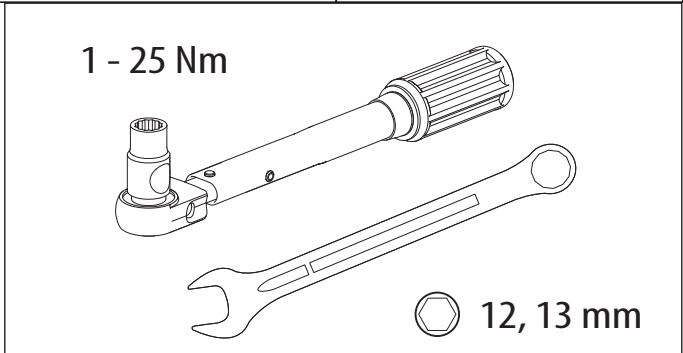
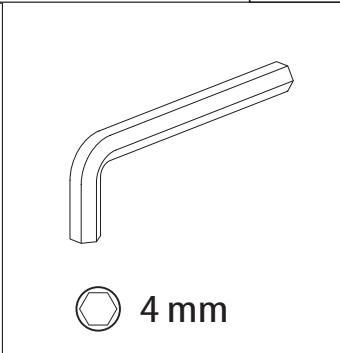
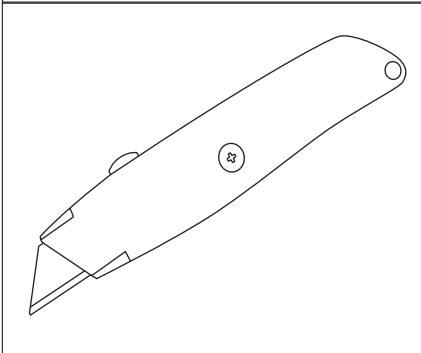
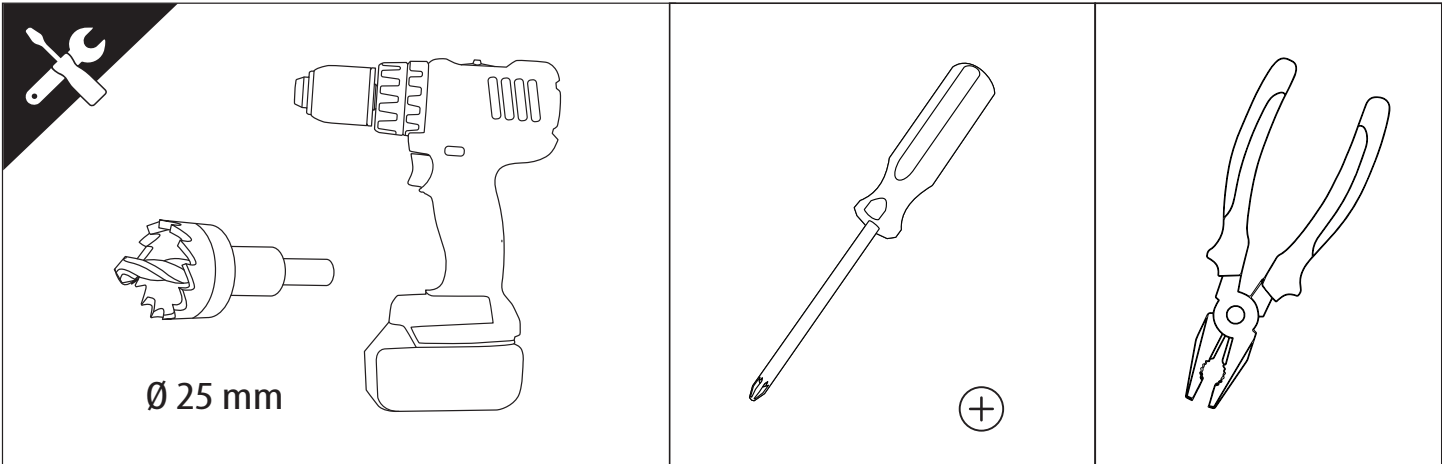
Basic Version + ⚙️ S-KIT

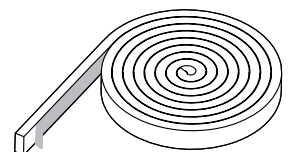
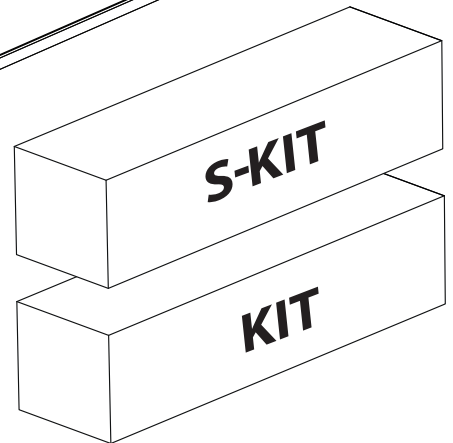
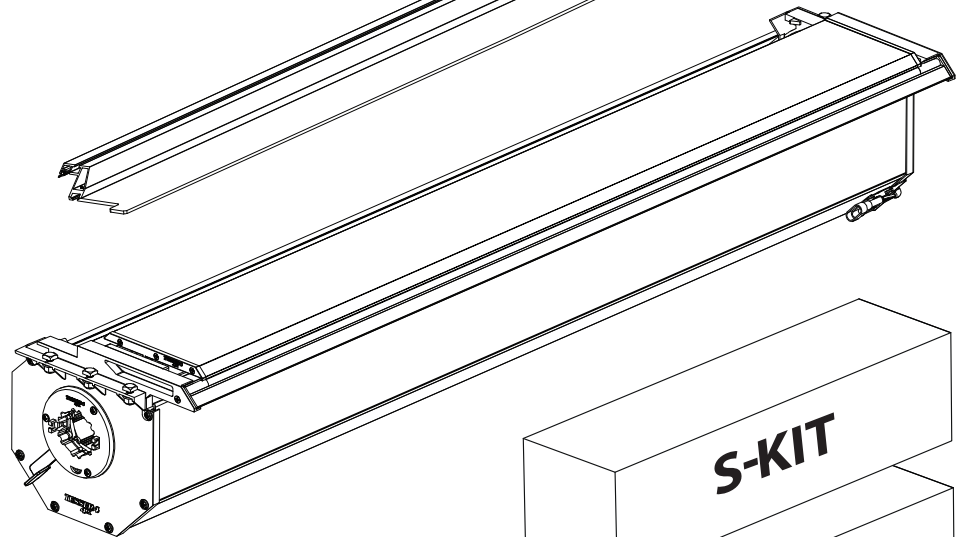
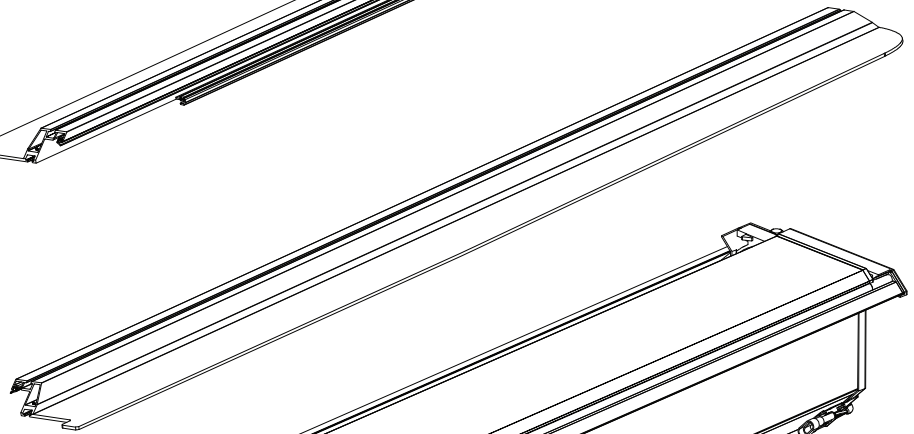
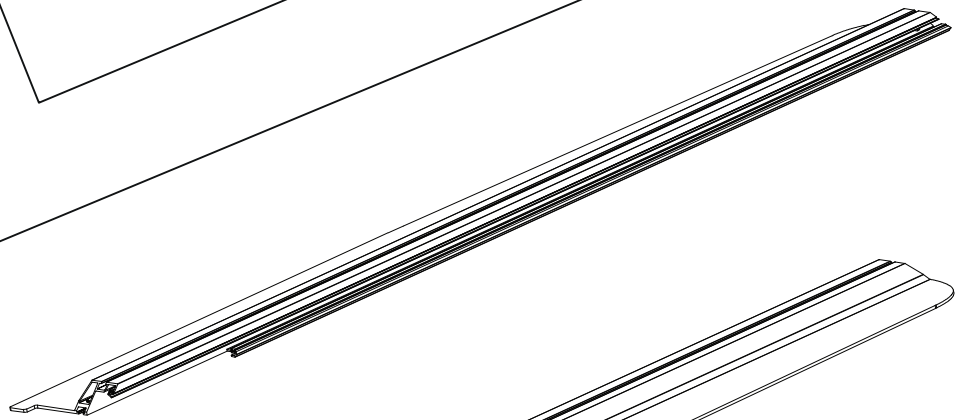
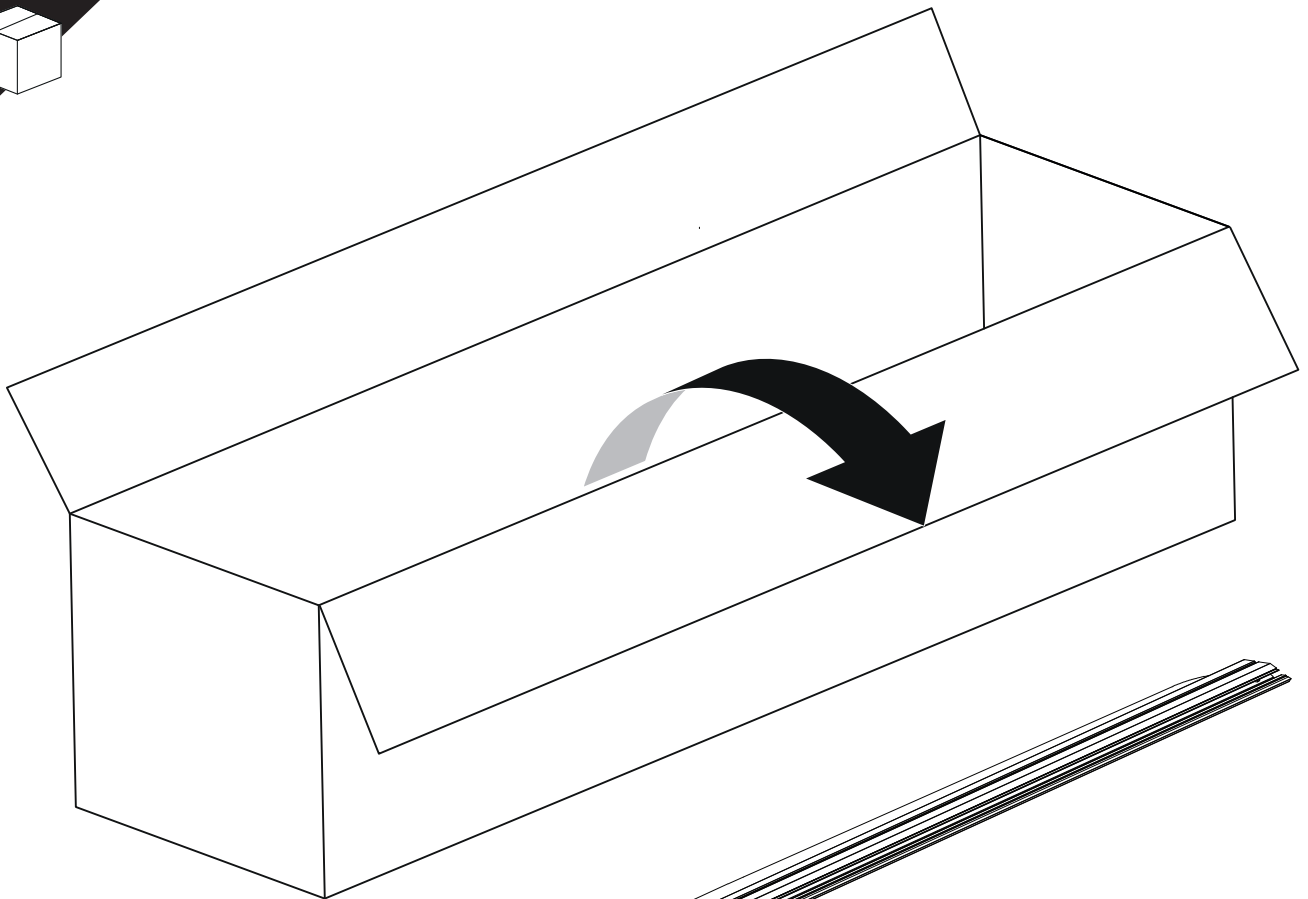


Installation Manual

PART NUMBER(S)	Model Year
TESS 1456 ROLL+S-KIT	GMC Hummer EV 2025+
FEET	Installation Time / Weight
5 Feet	40-60 minutes / 53-57 kg





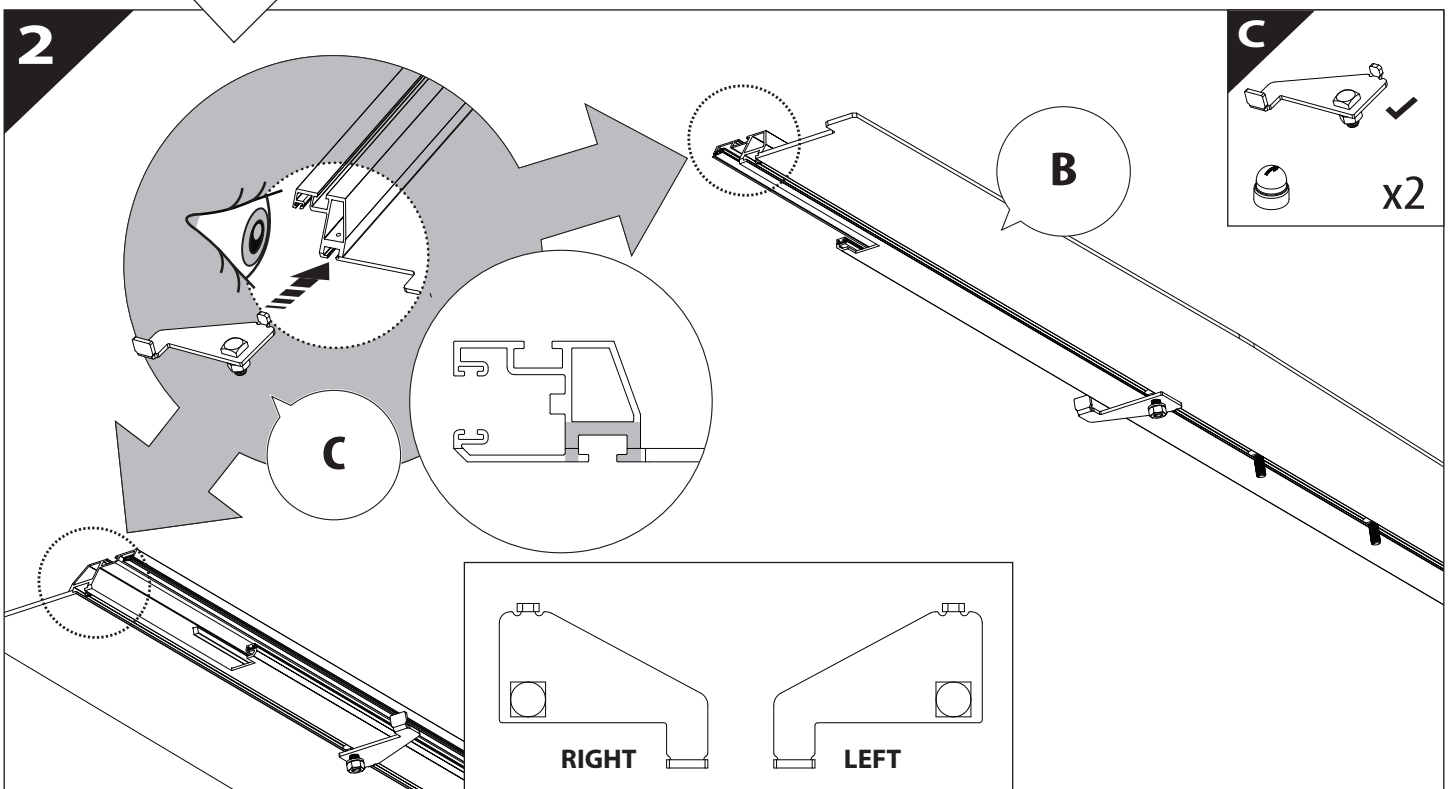
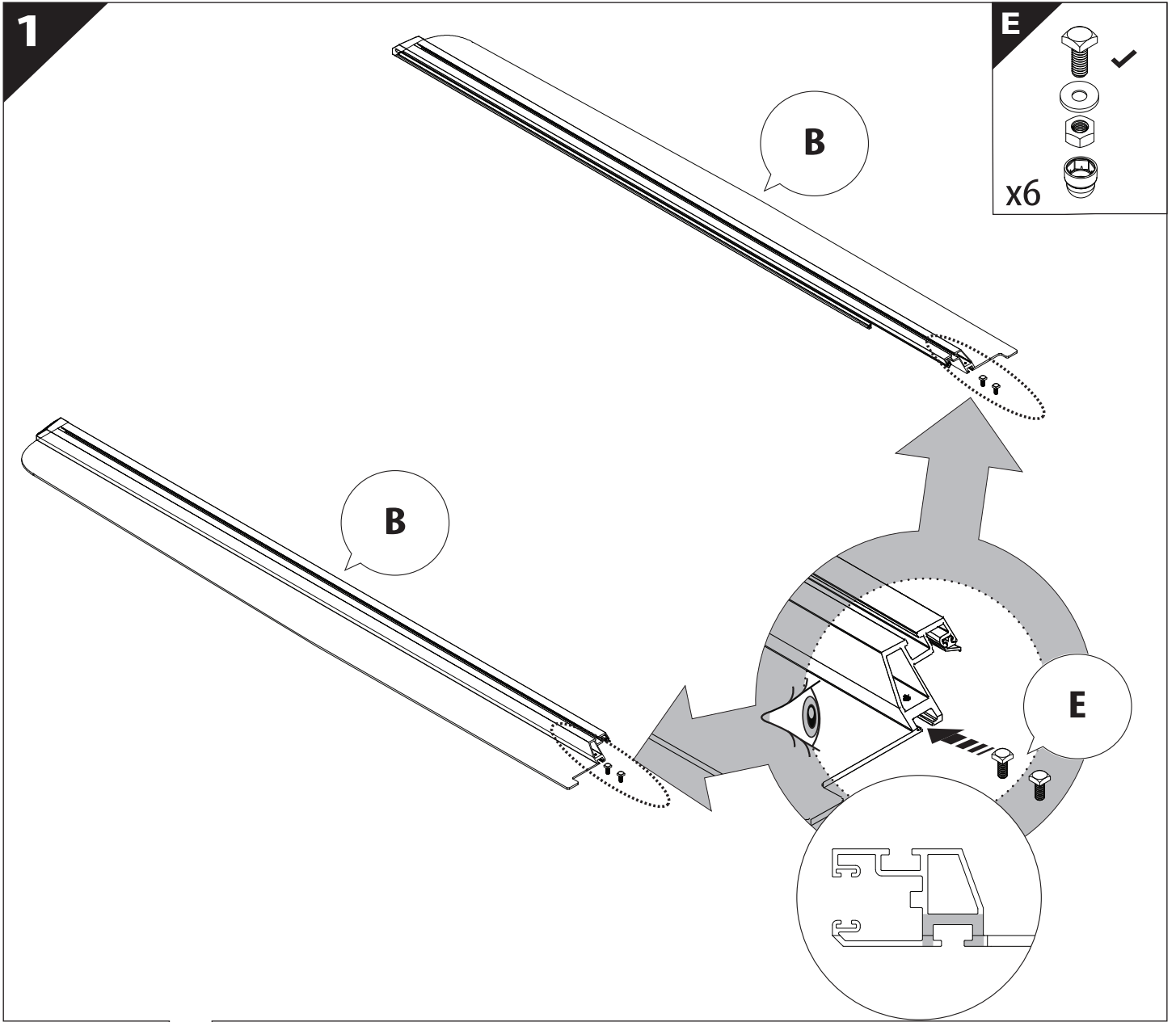


B

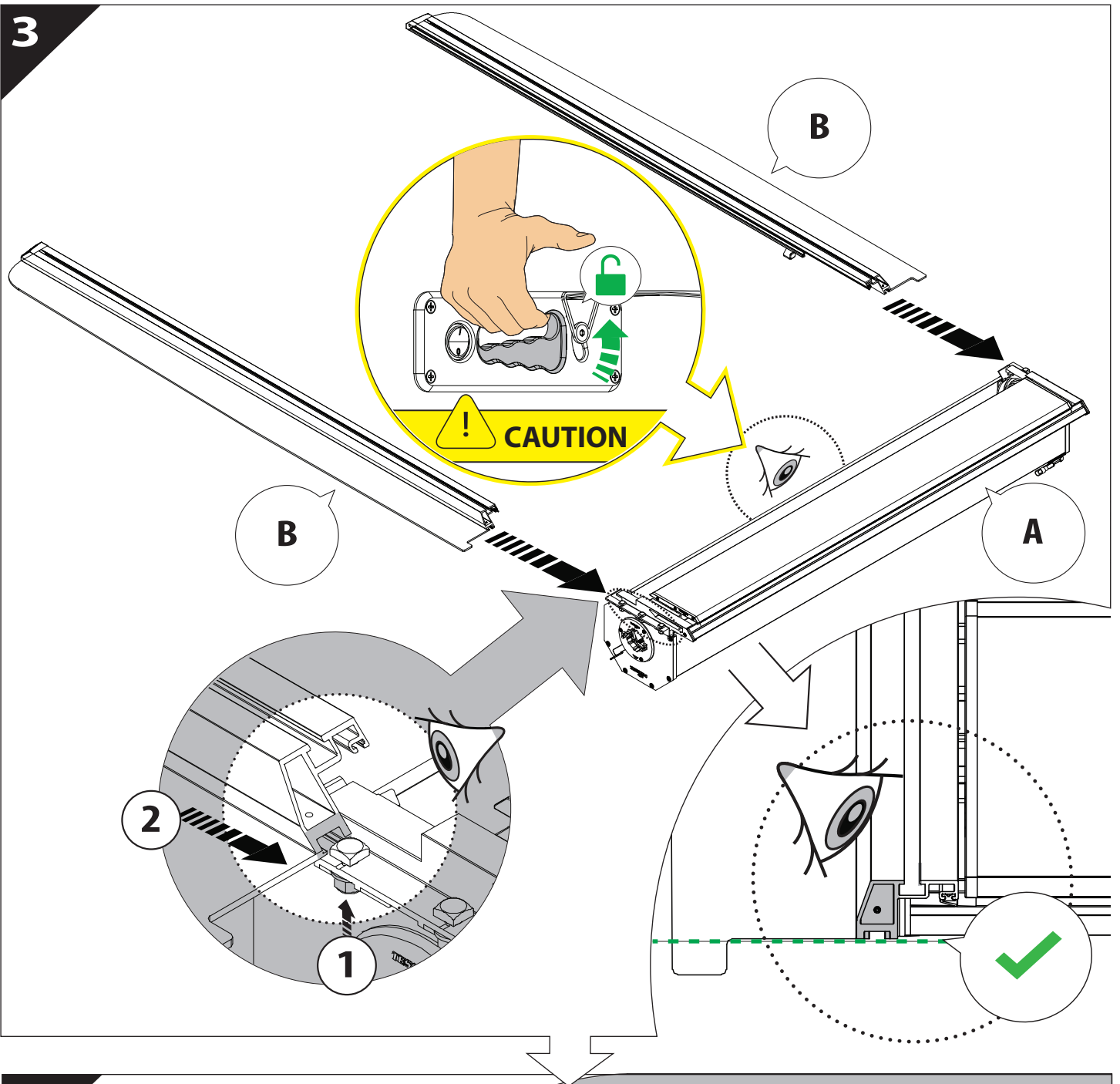
A

KITS

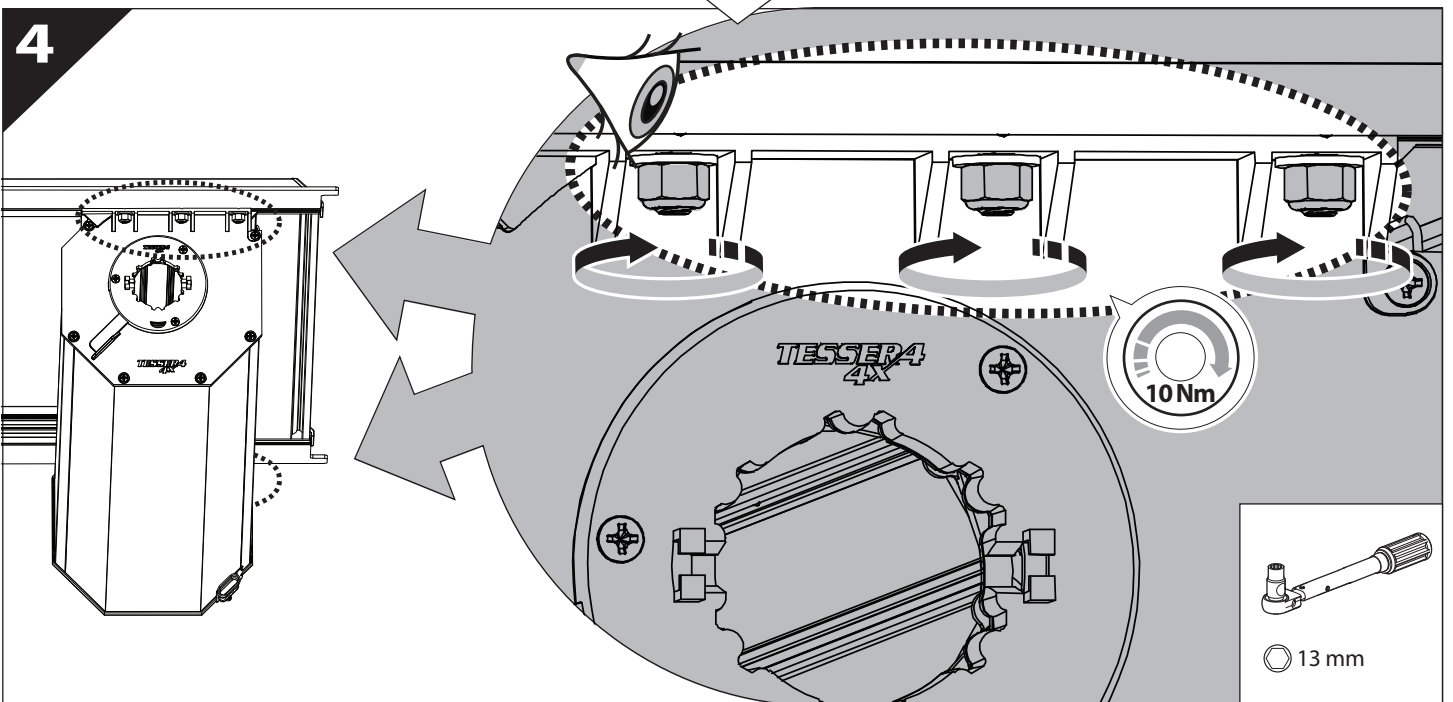
L

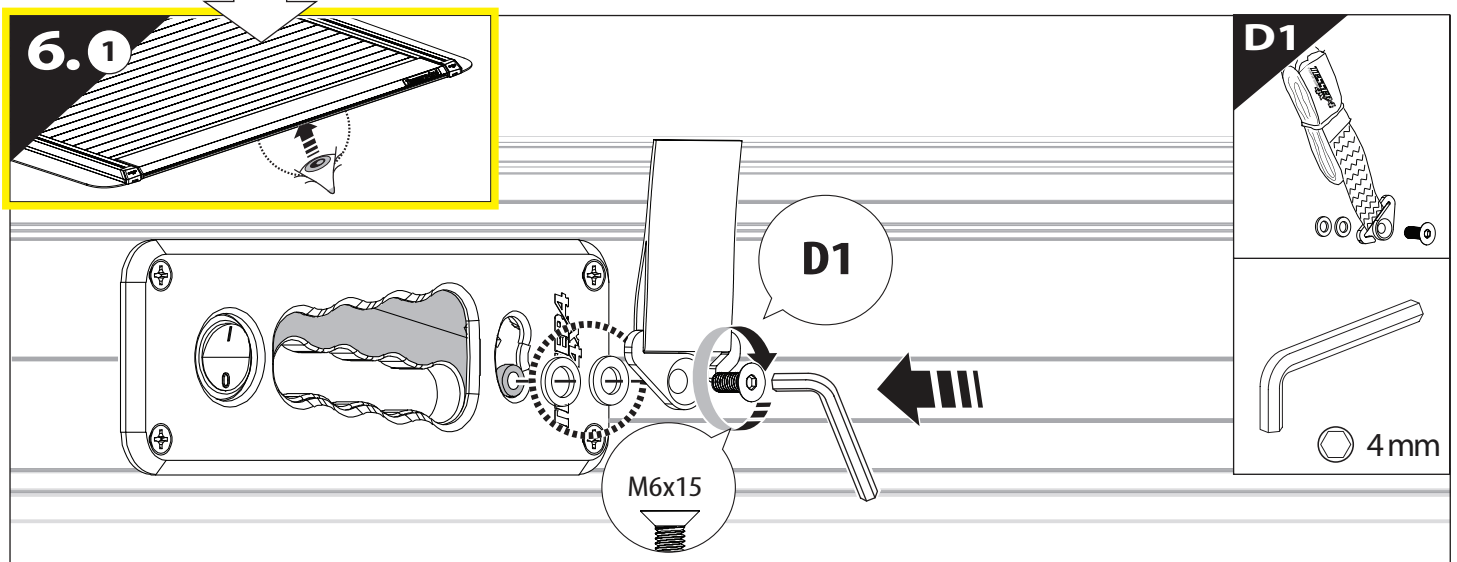
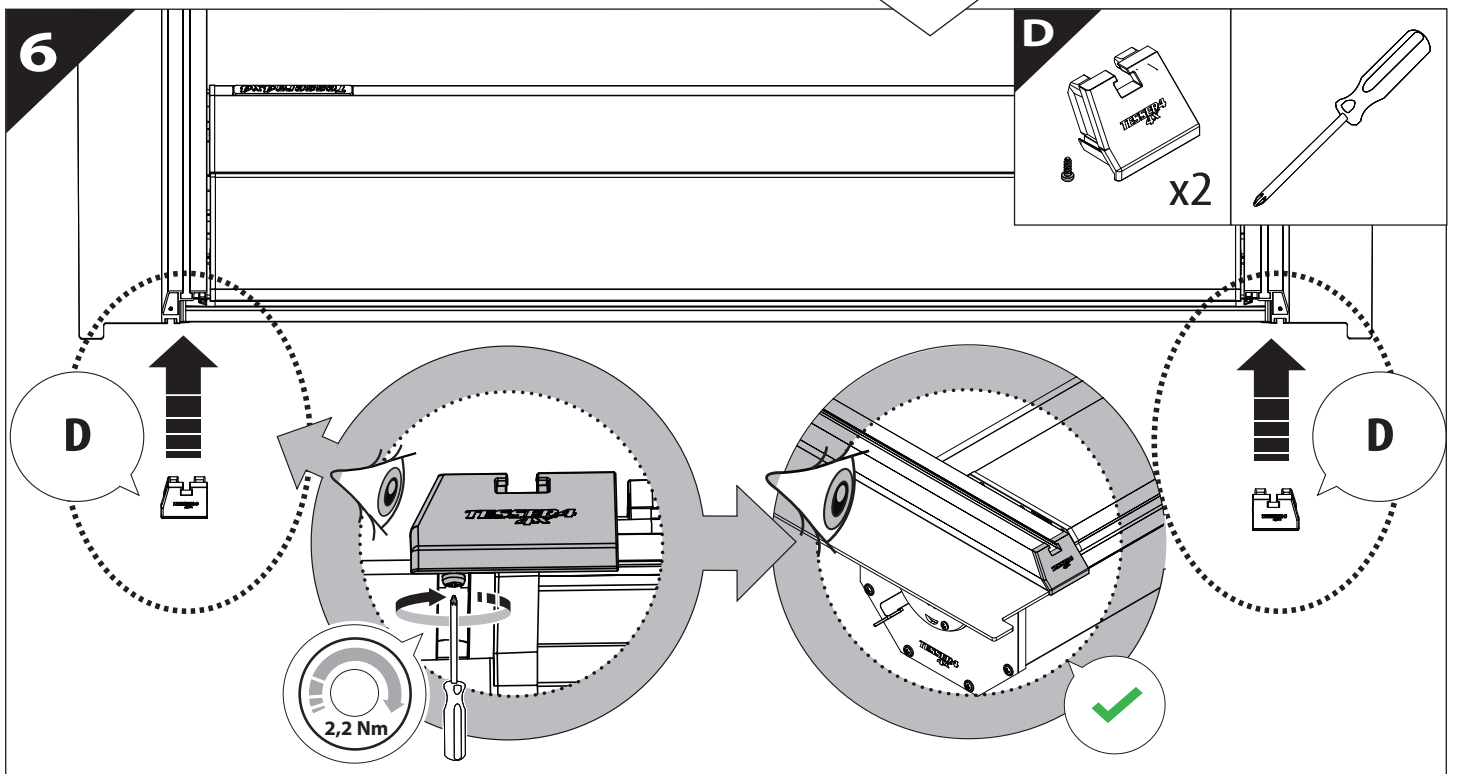
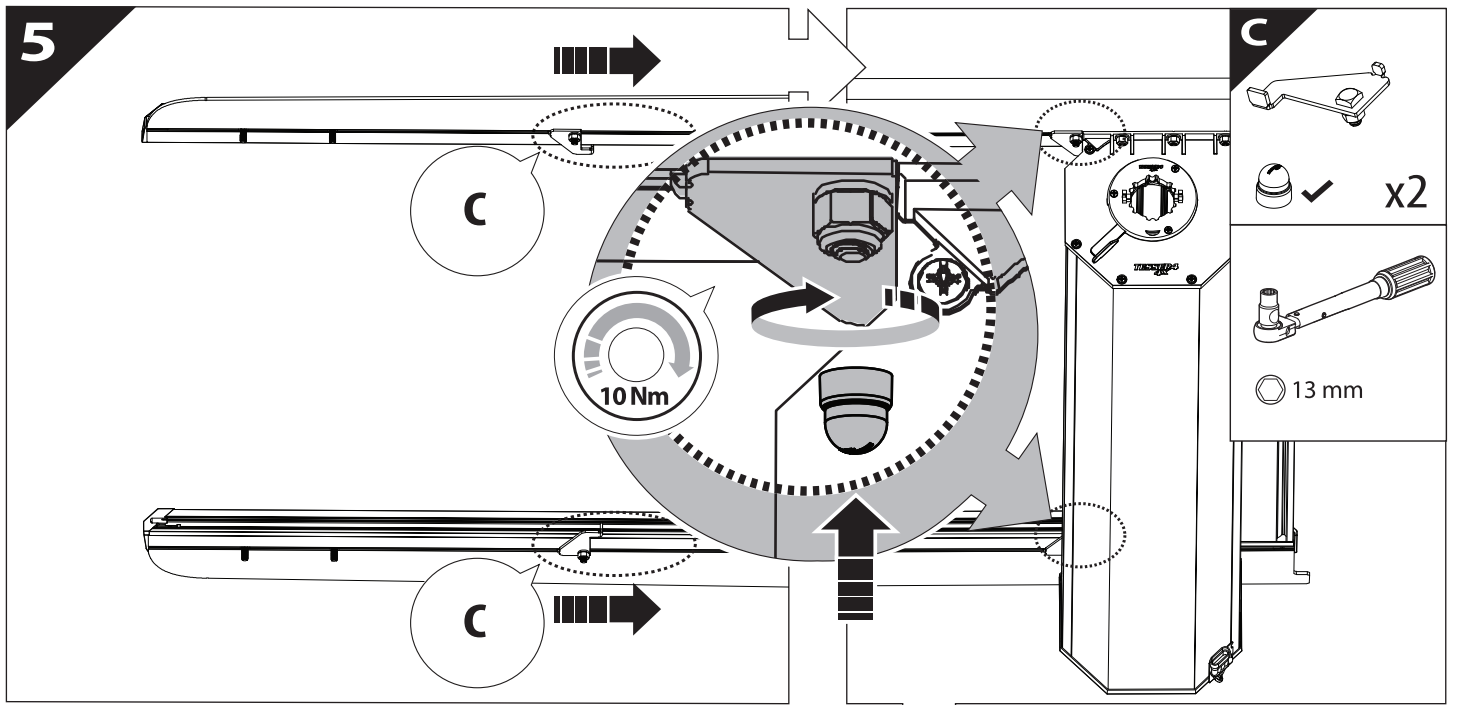


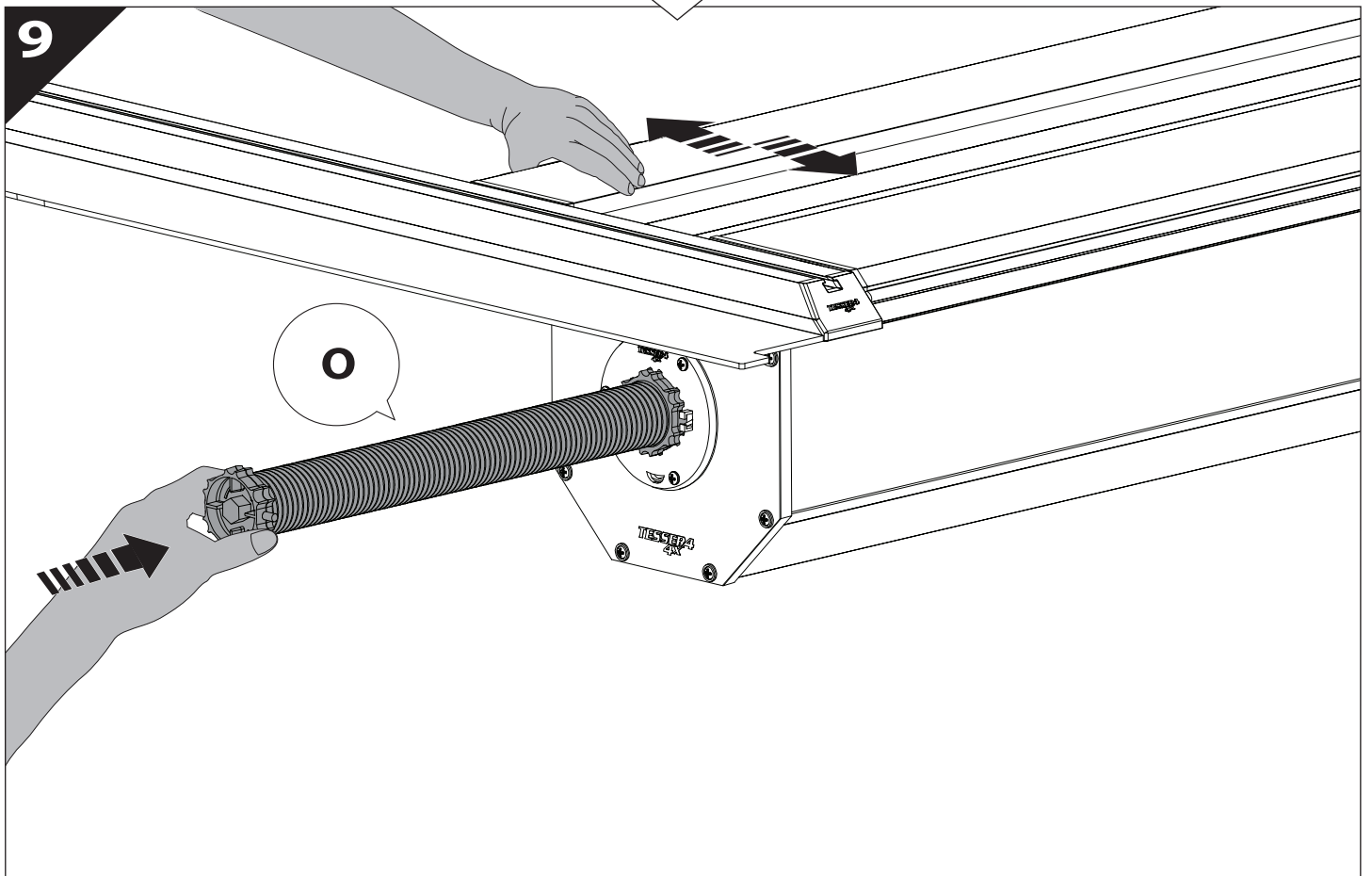
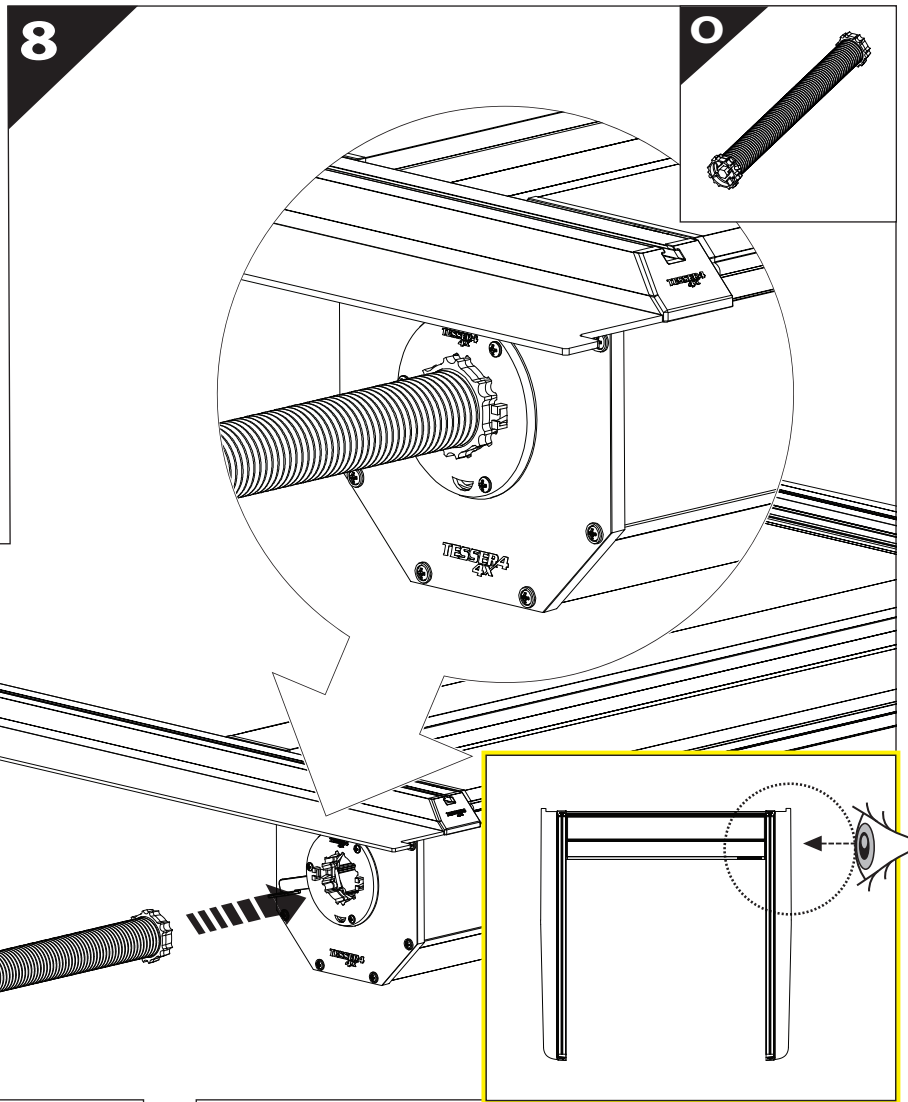
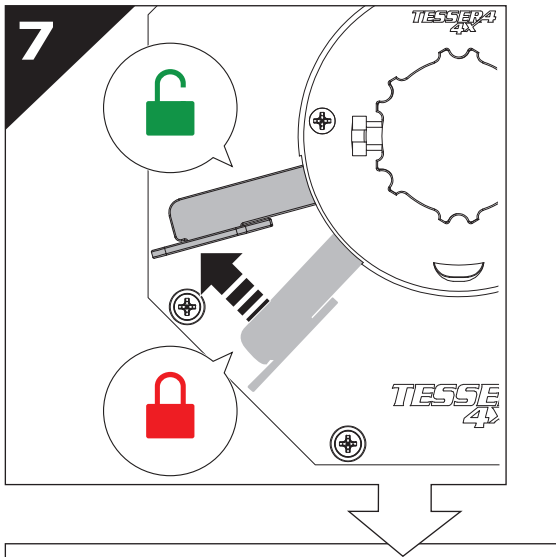
3

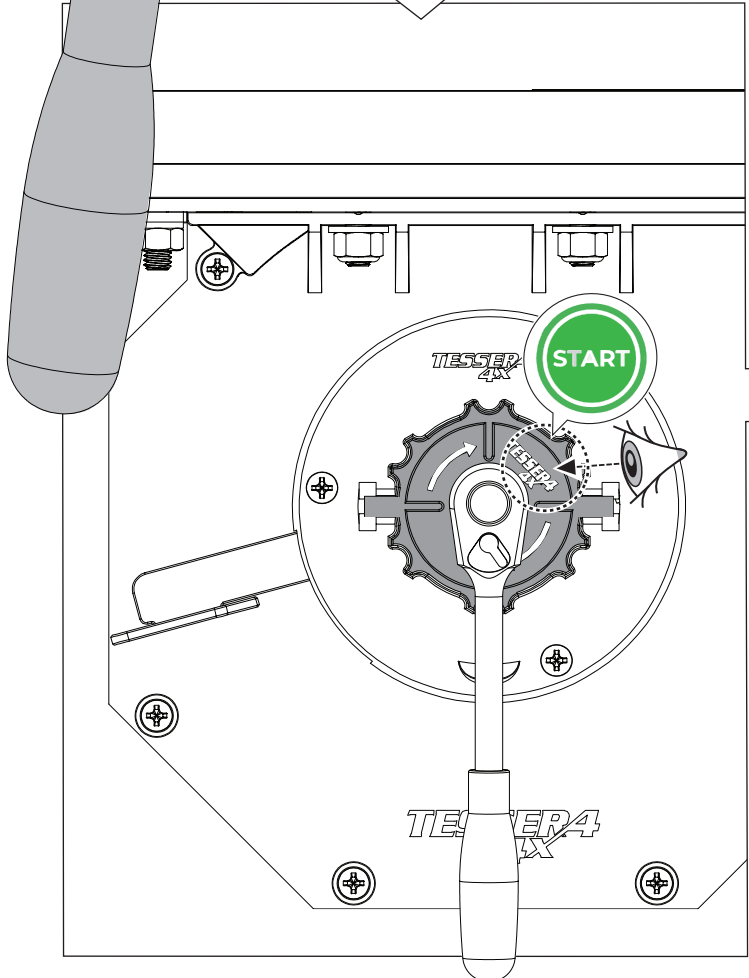
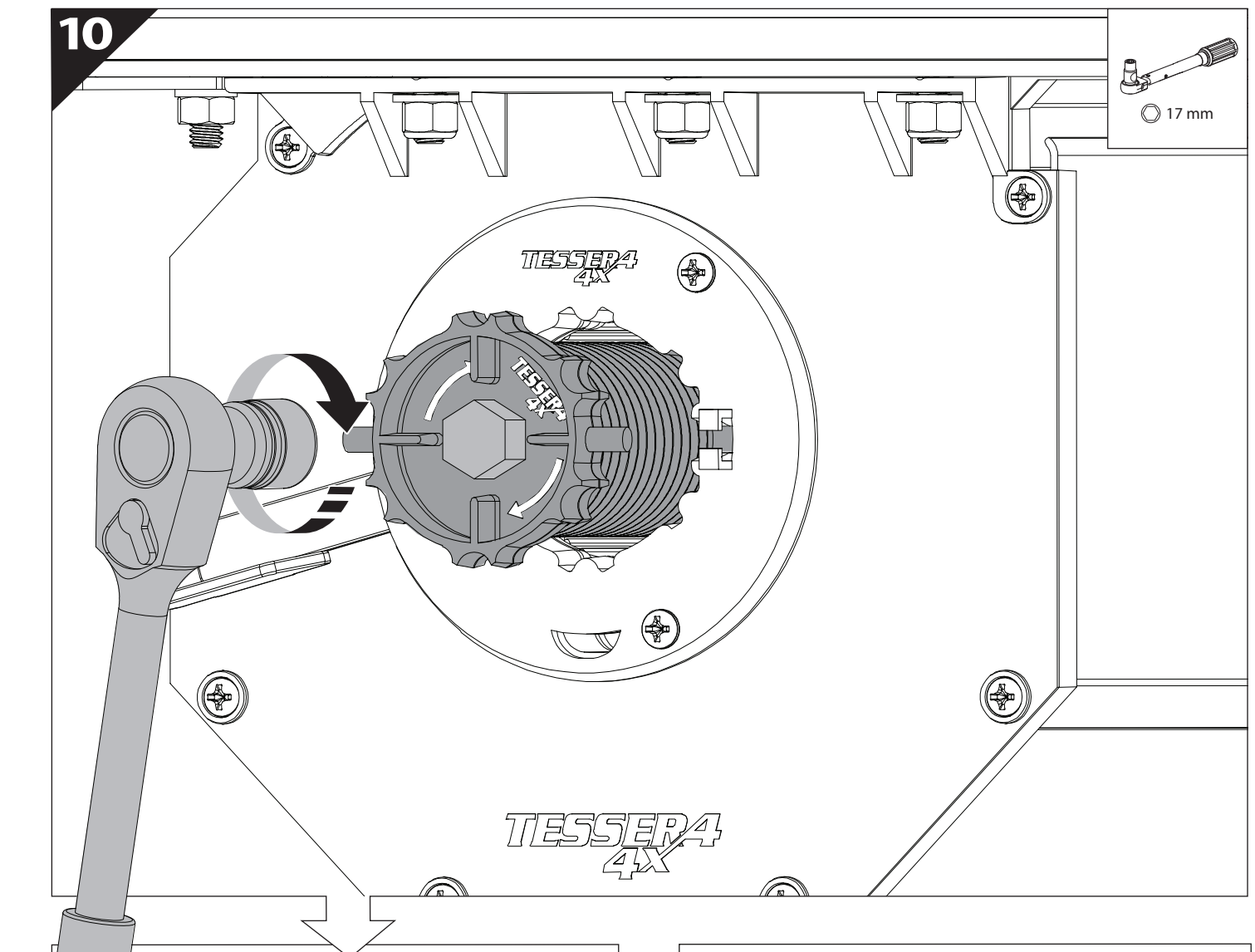
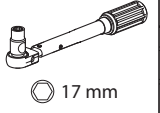


4

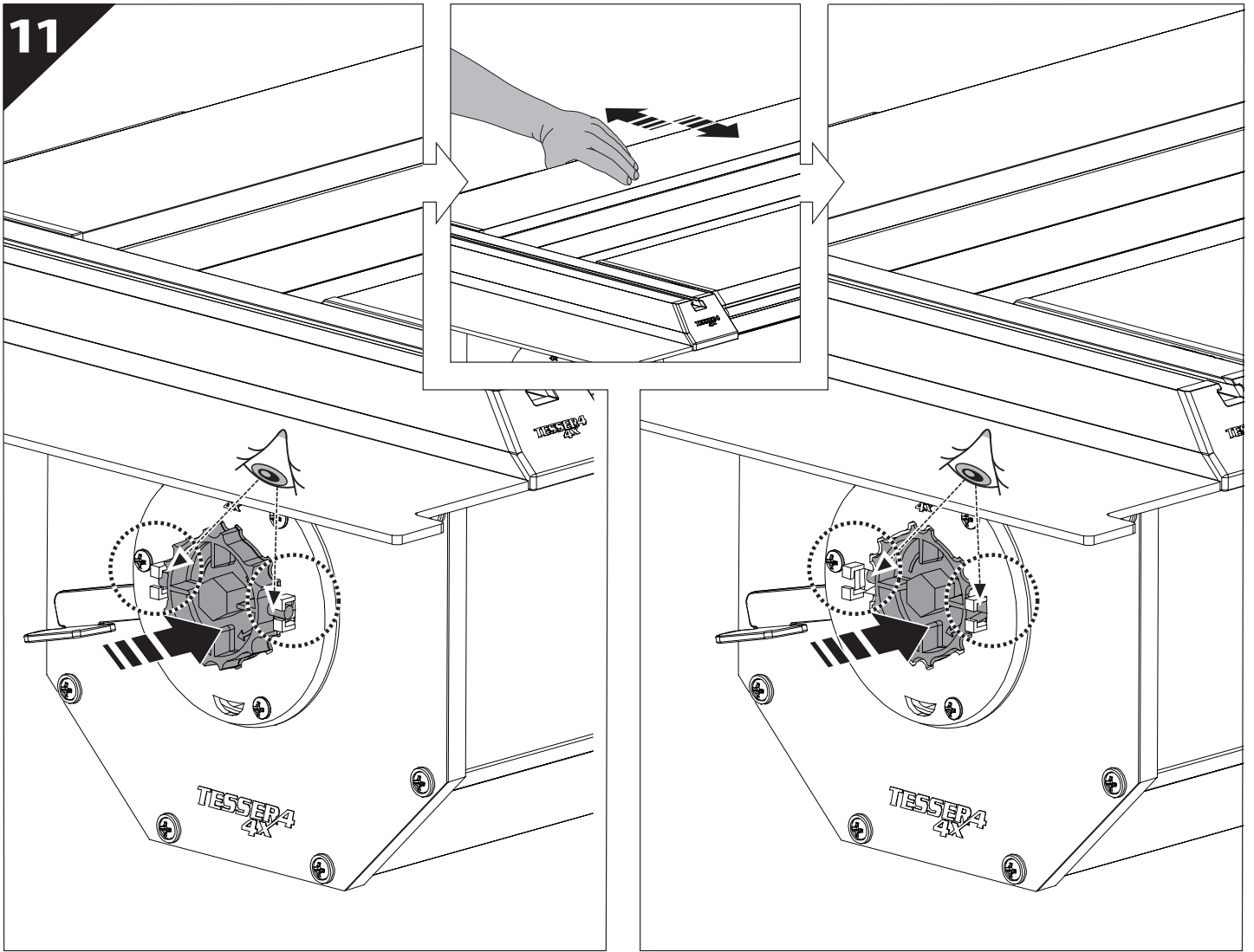




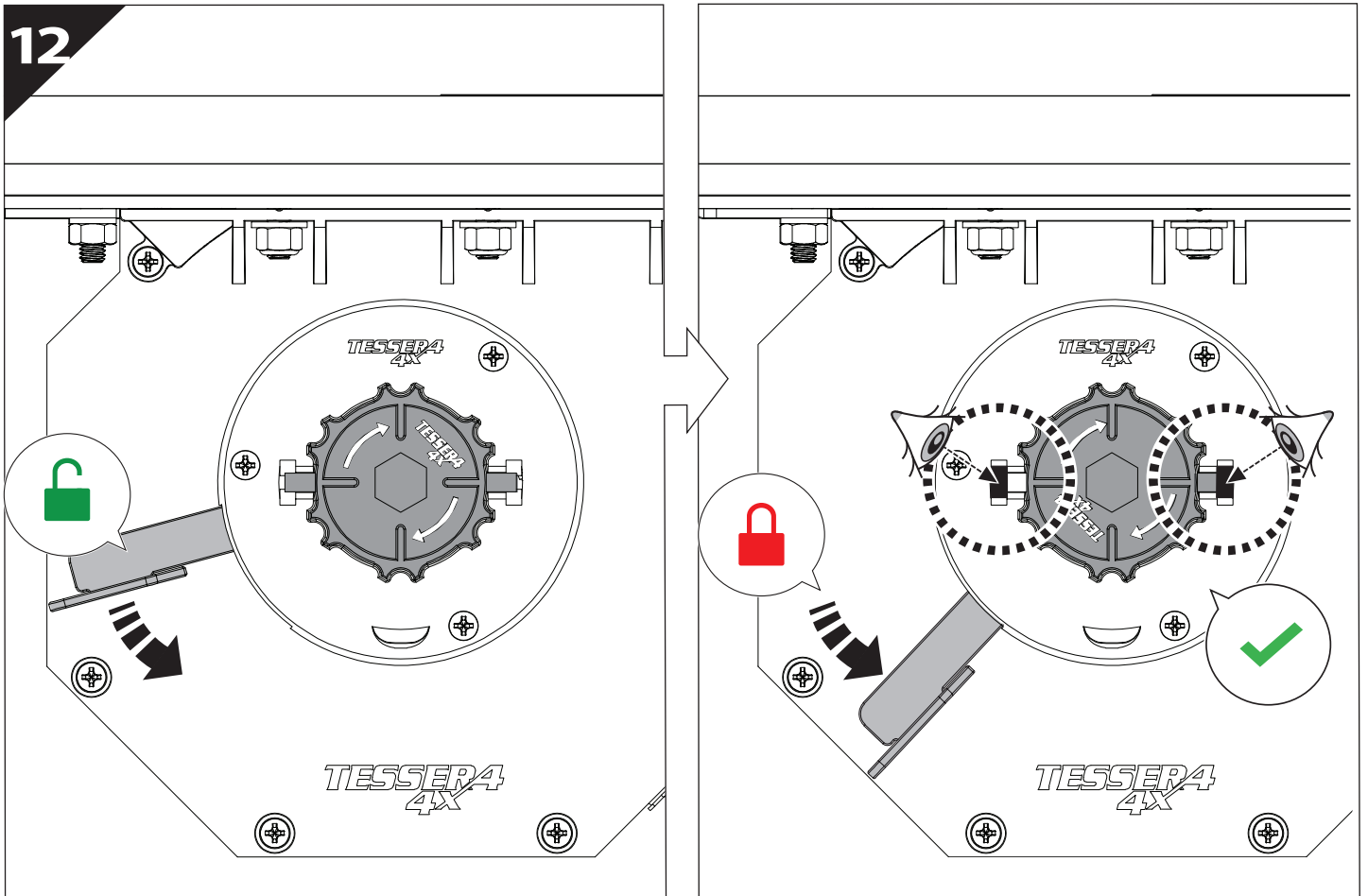




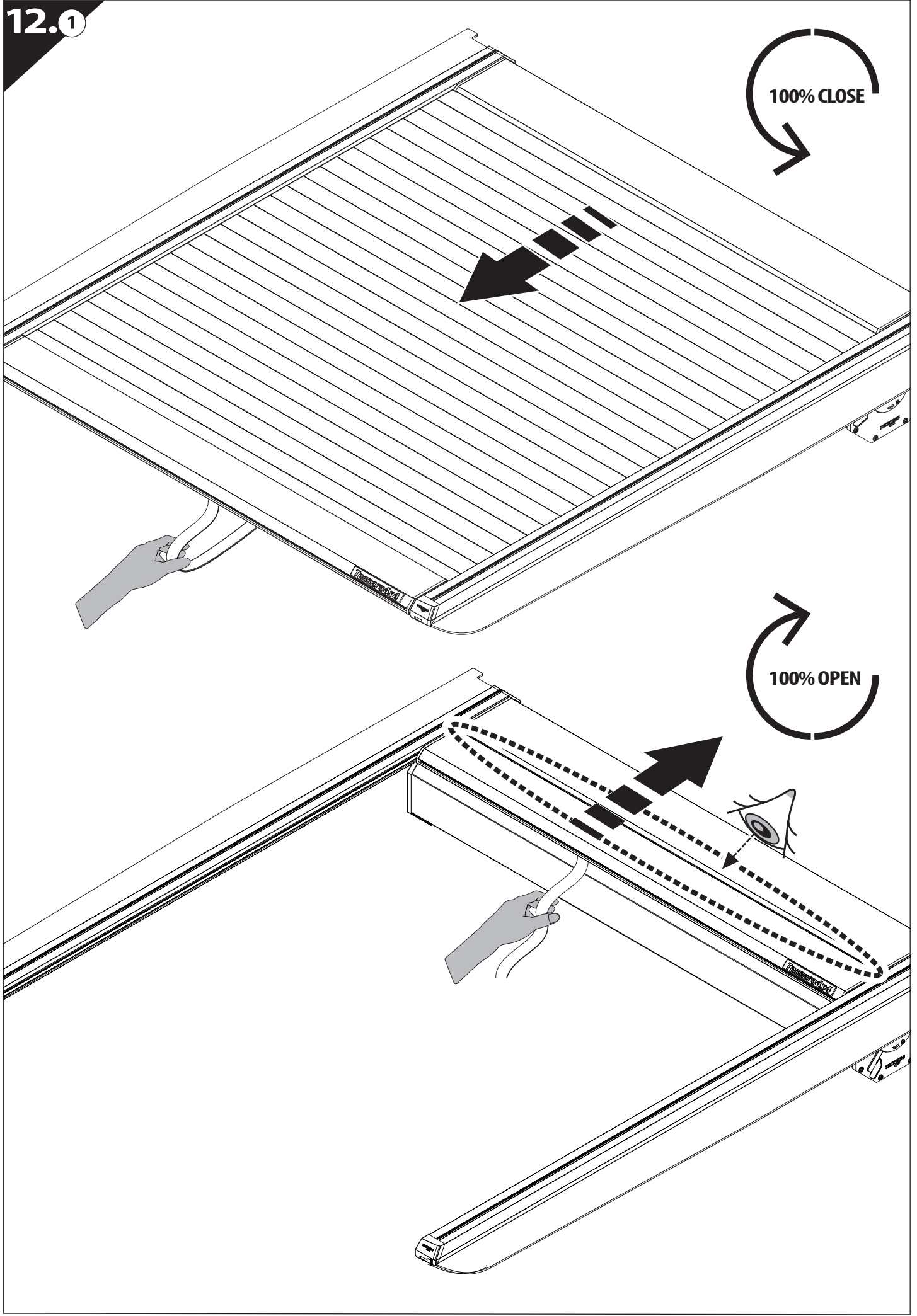
11



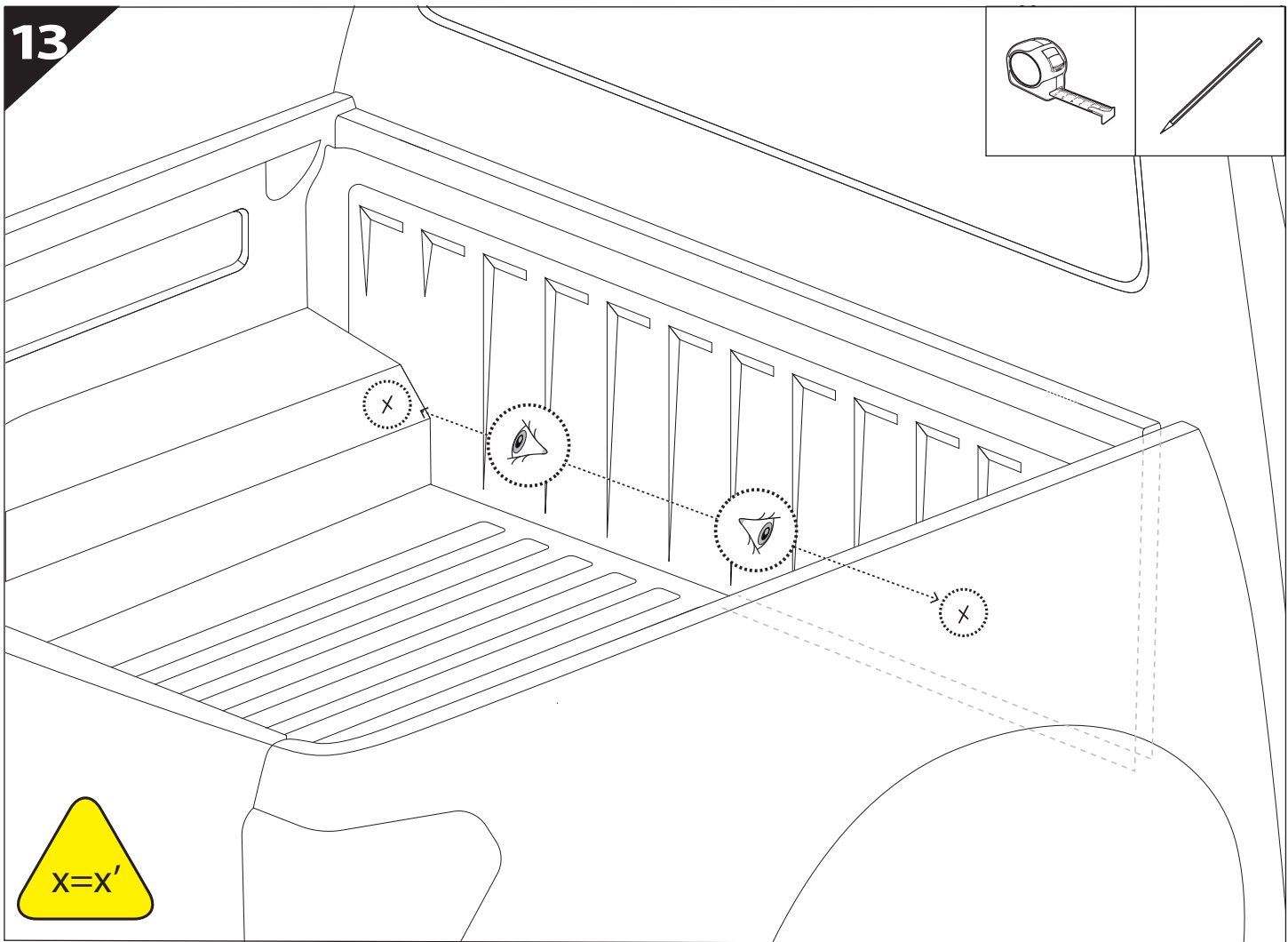
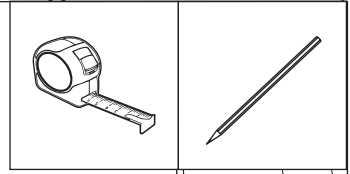
12



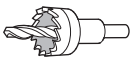
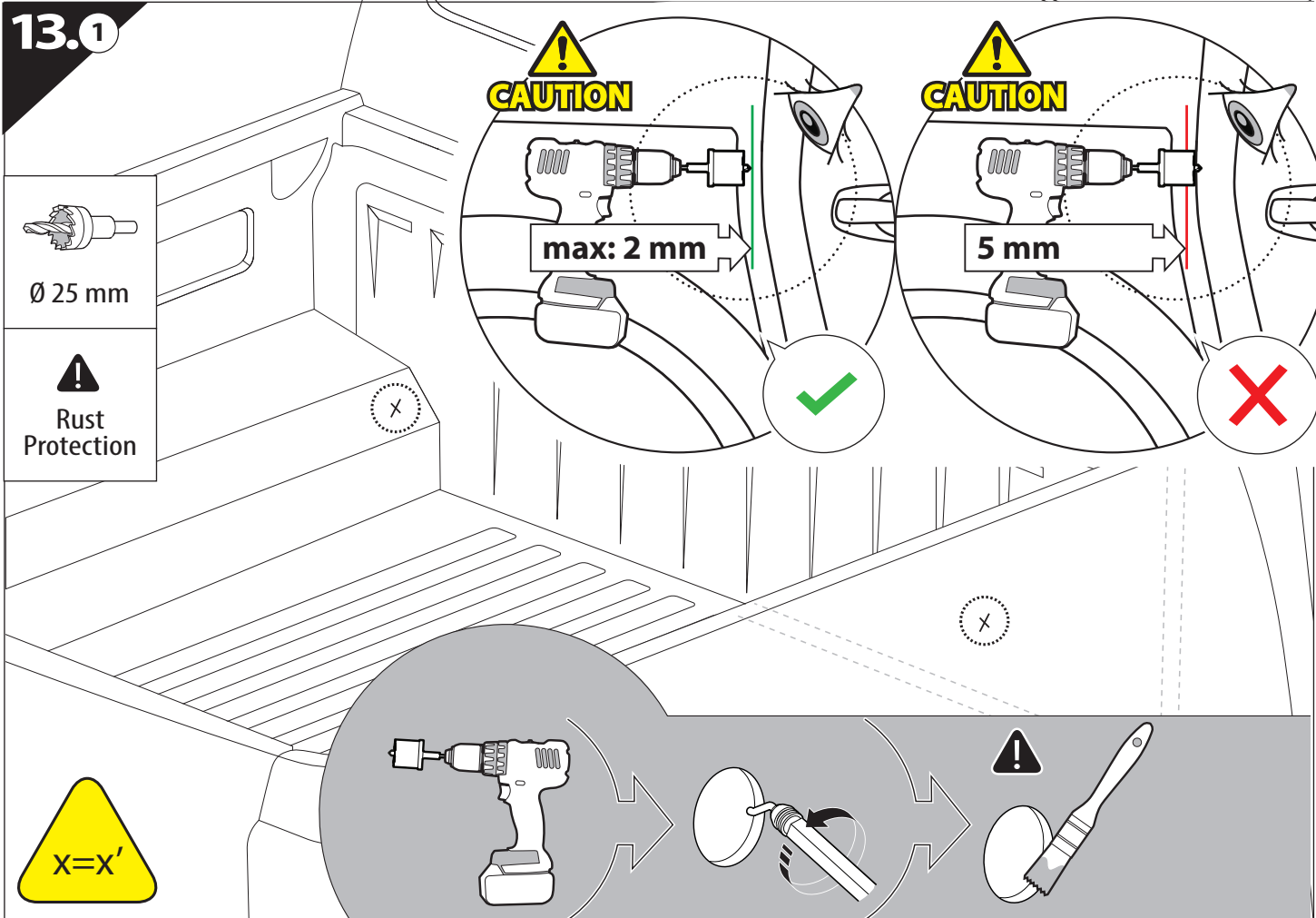
12.0



13



13.0



Ø 25 mm



Rust Protection

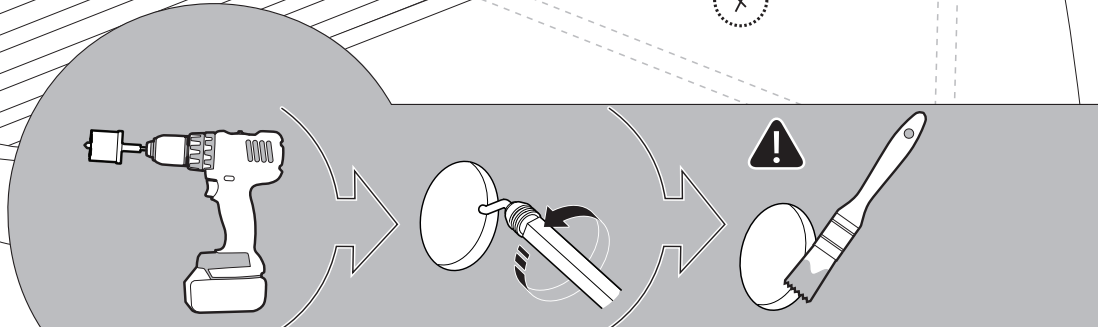
CAUTION

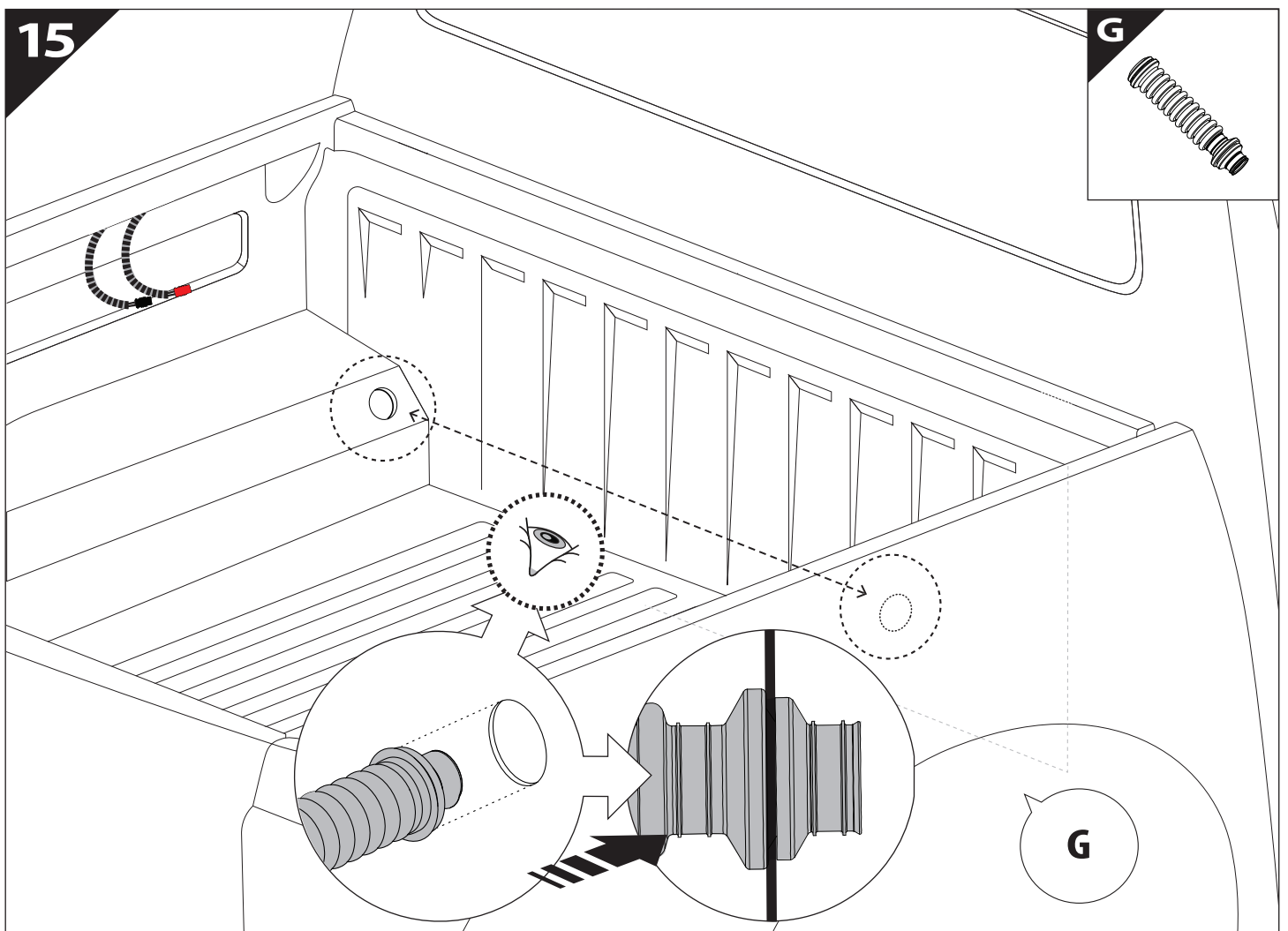
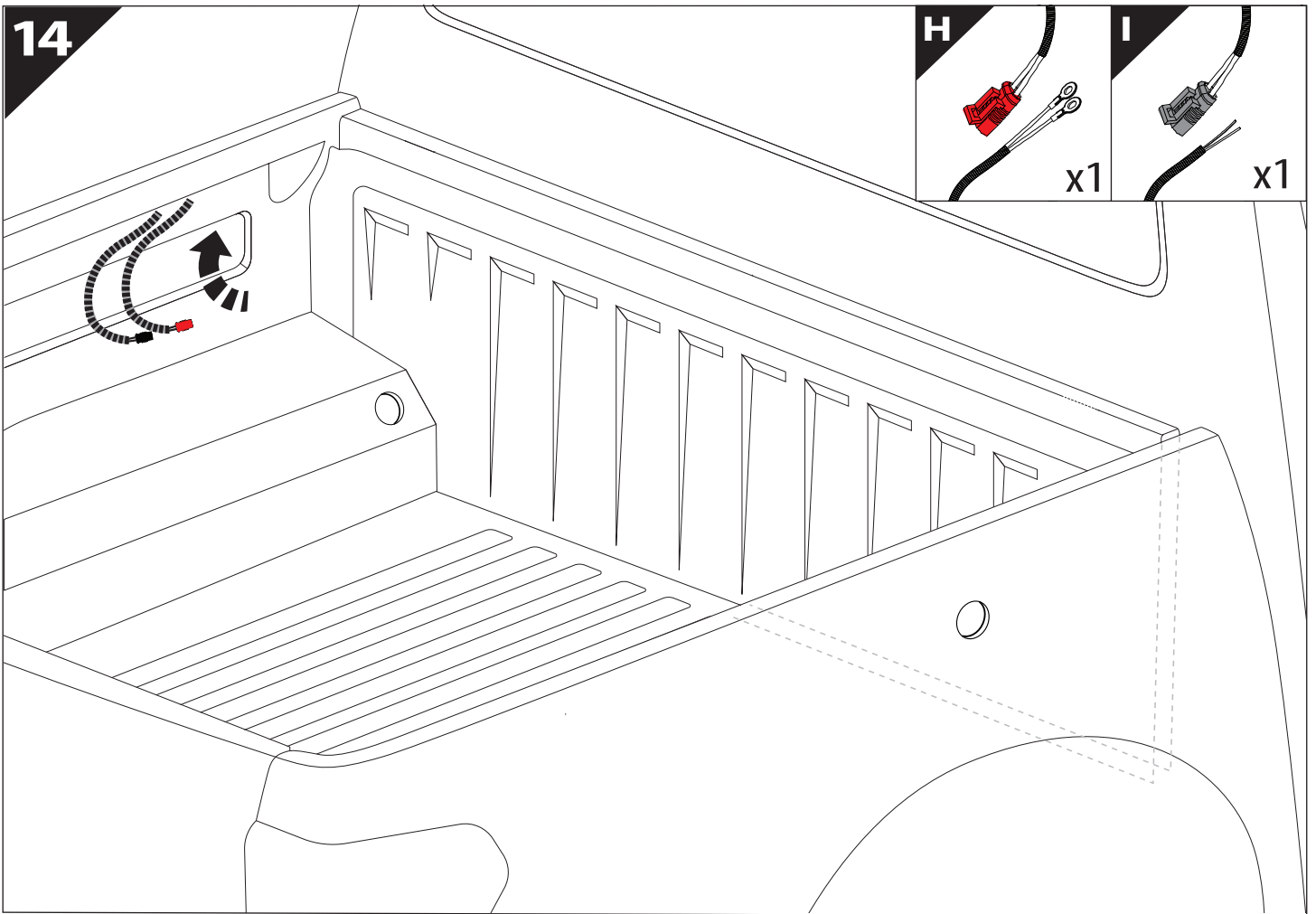
max: 2 mm

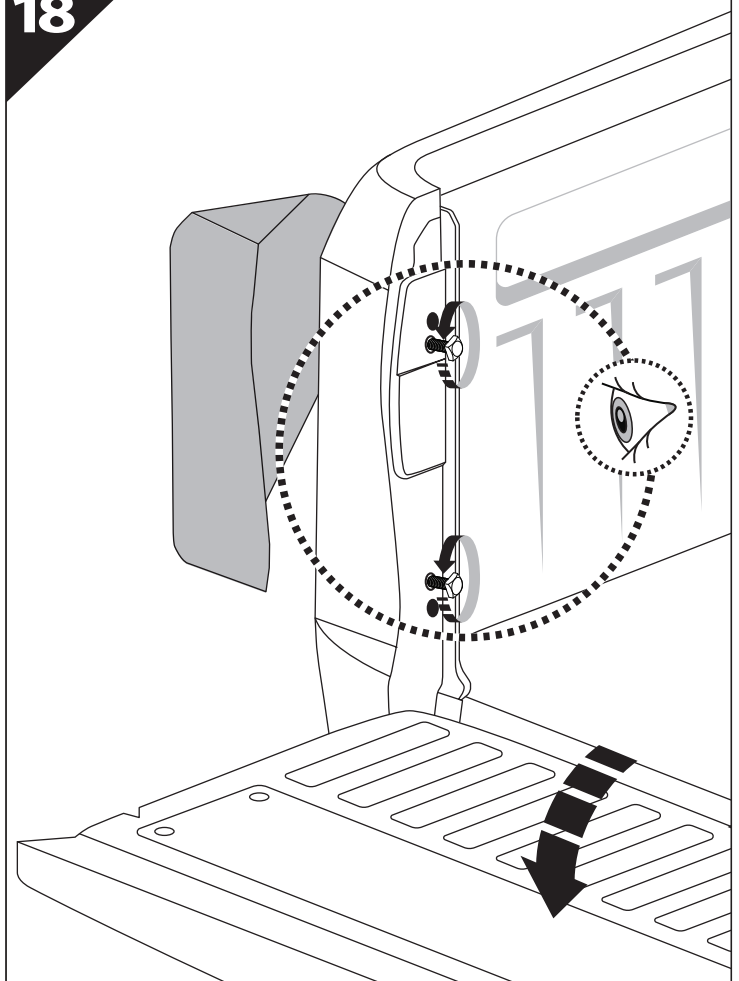
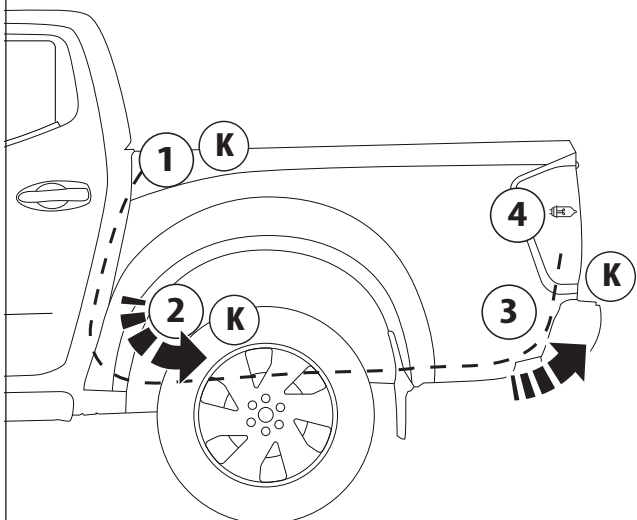
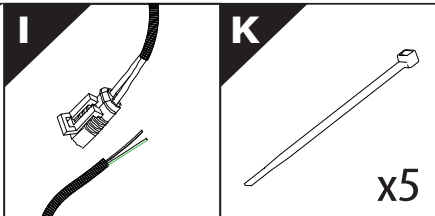
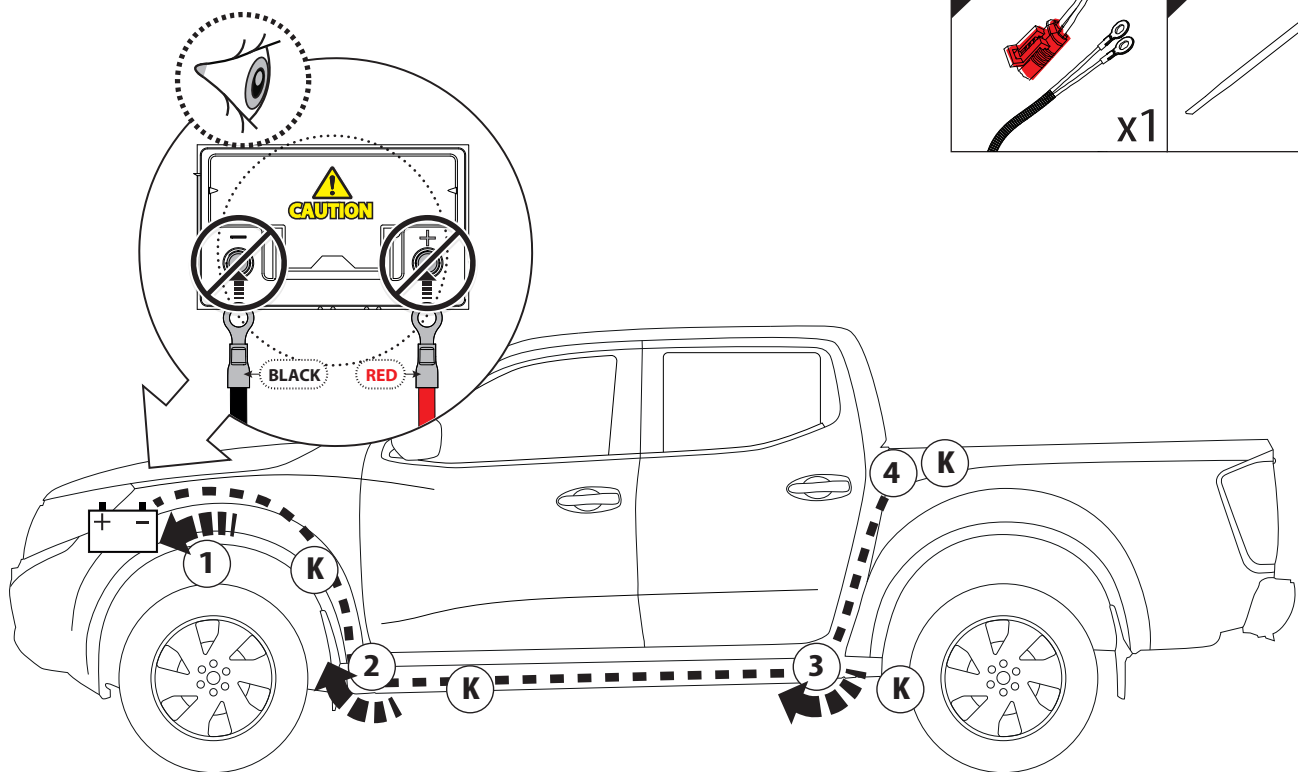
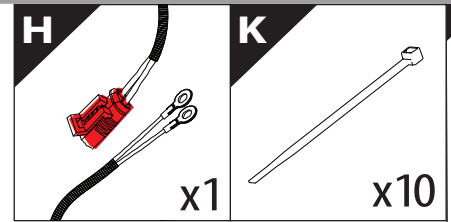


CAUTION

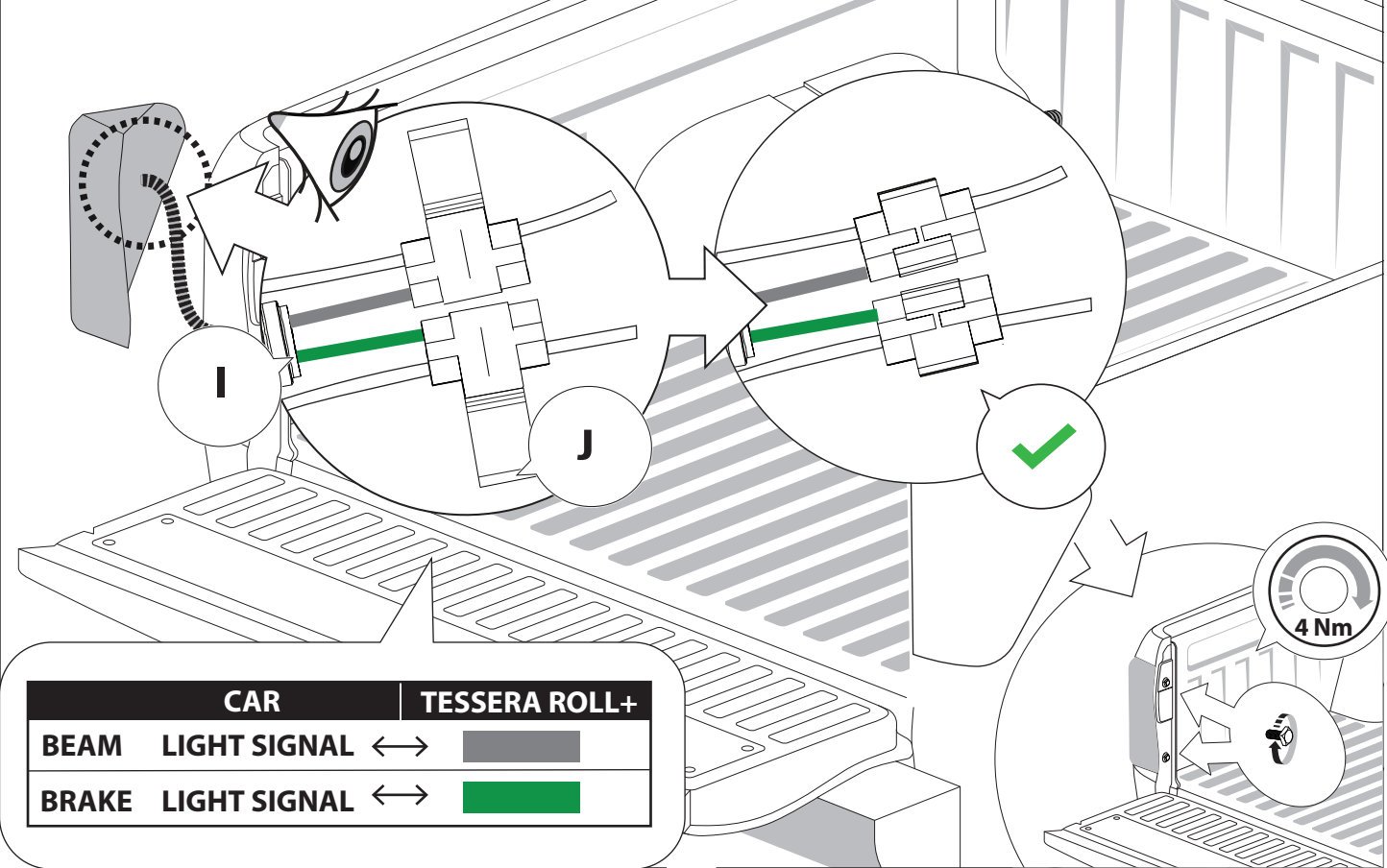
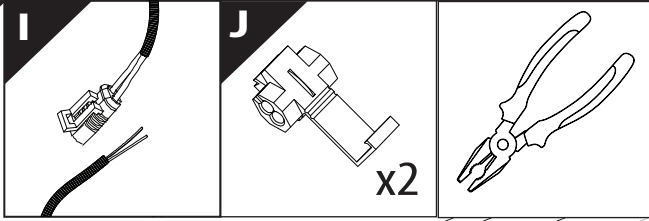
5 mm



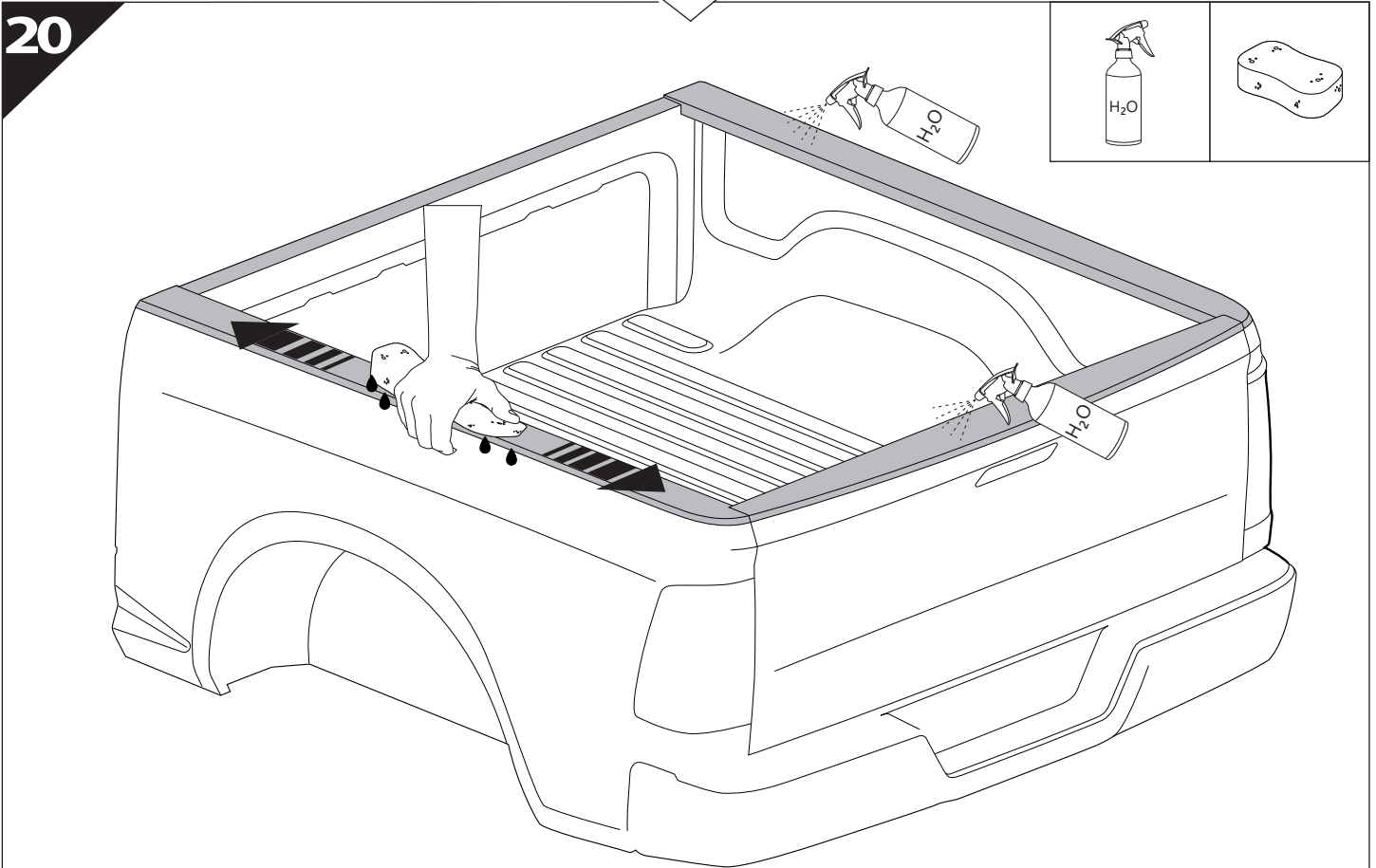
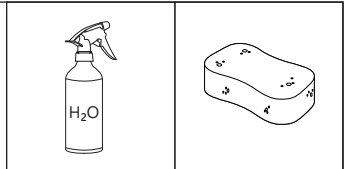


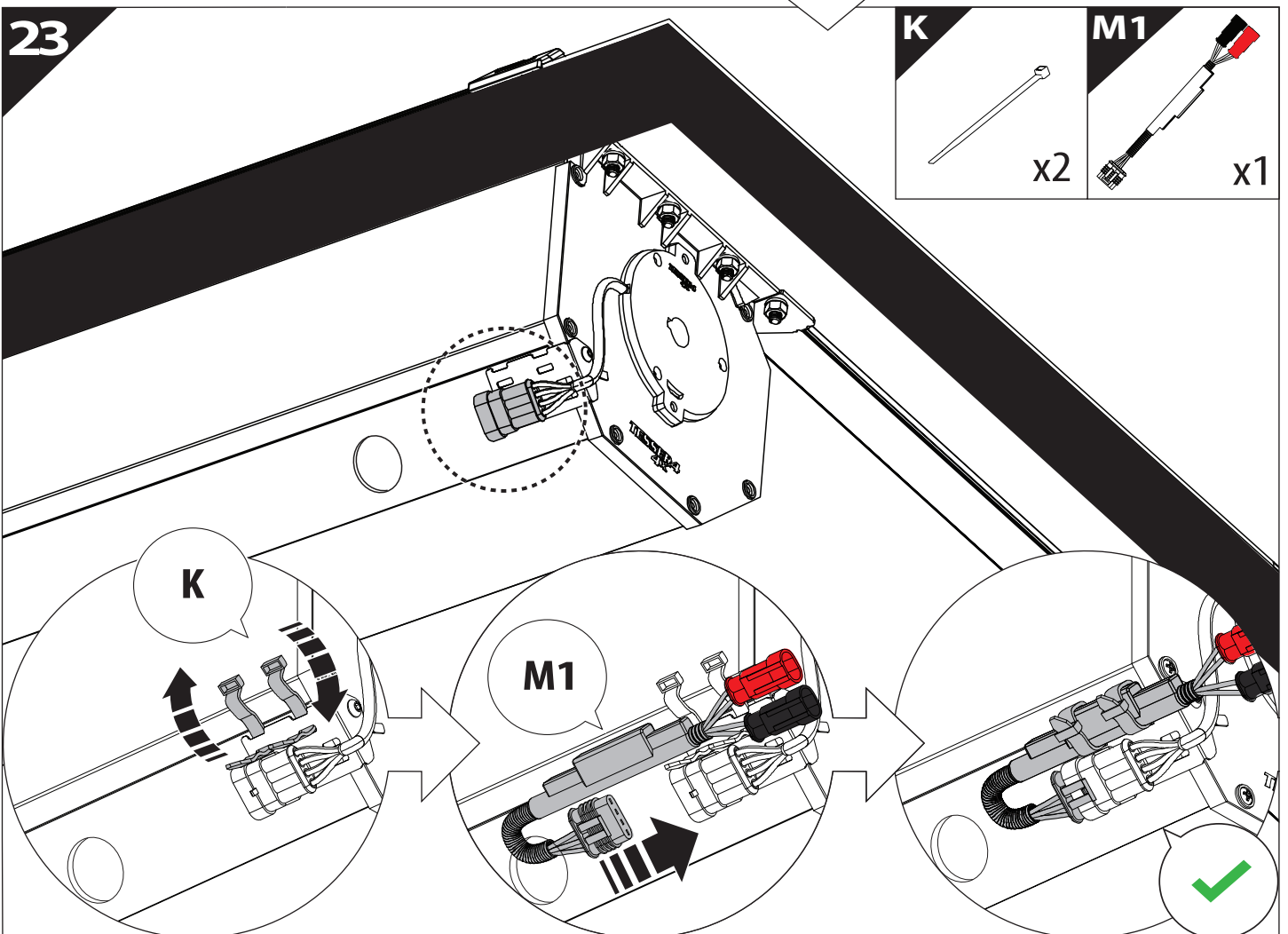
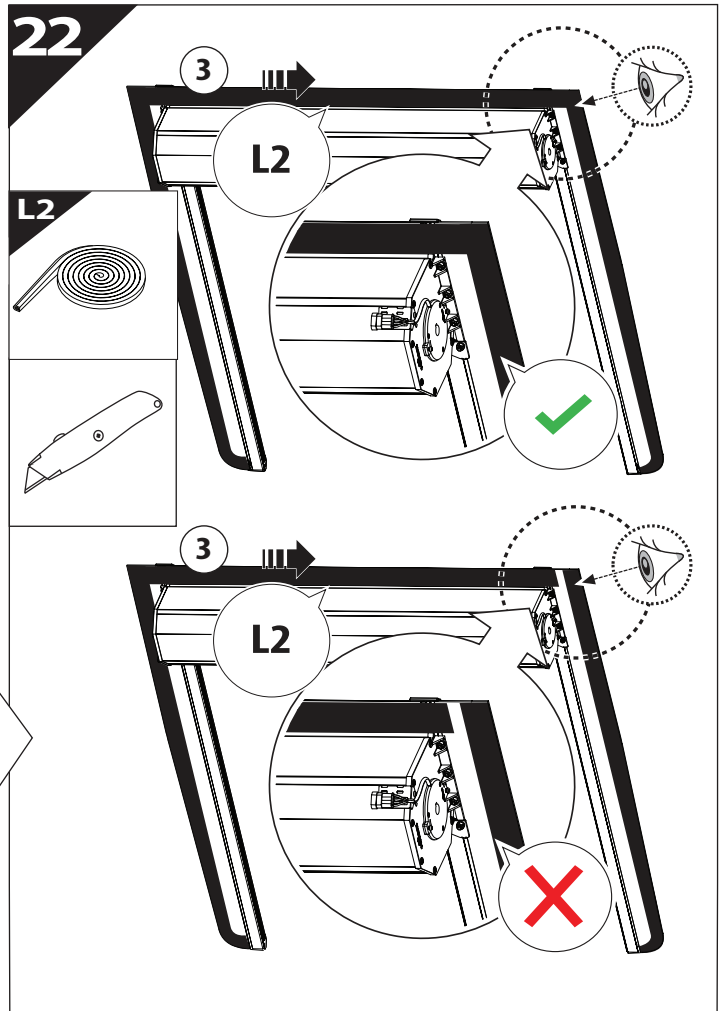
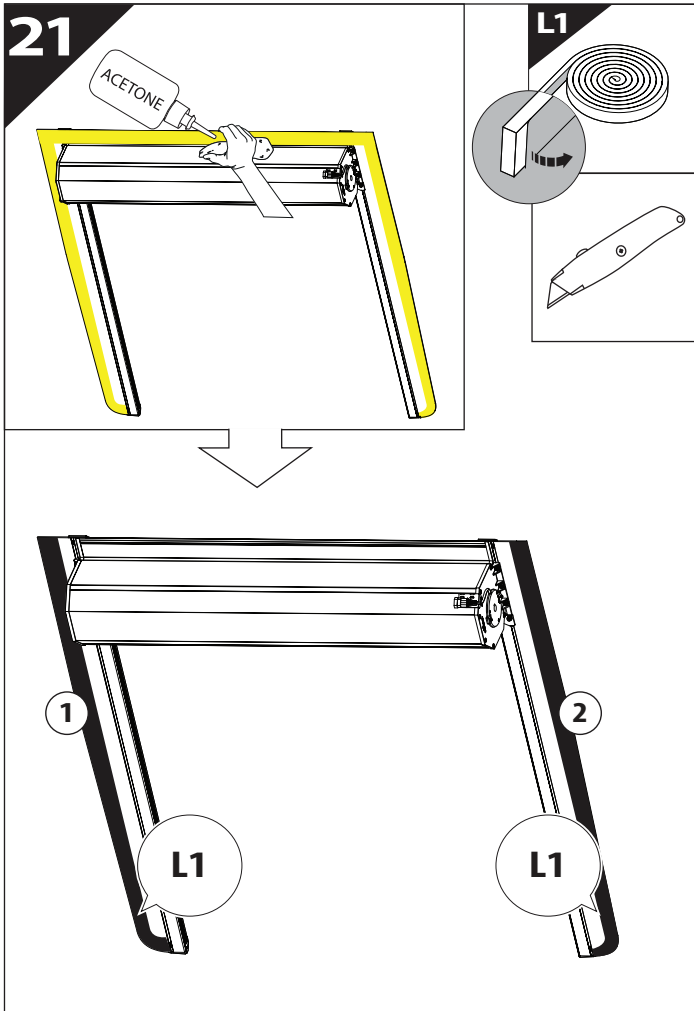


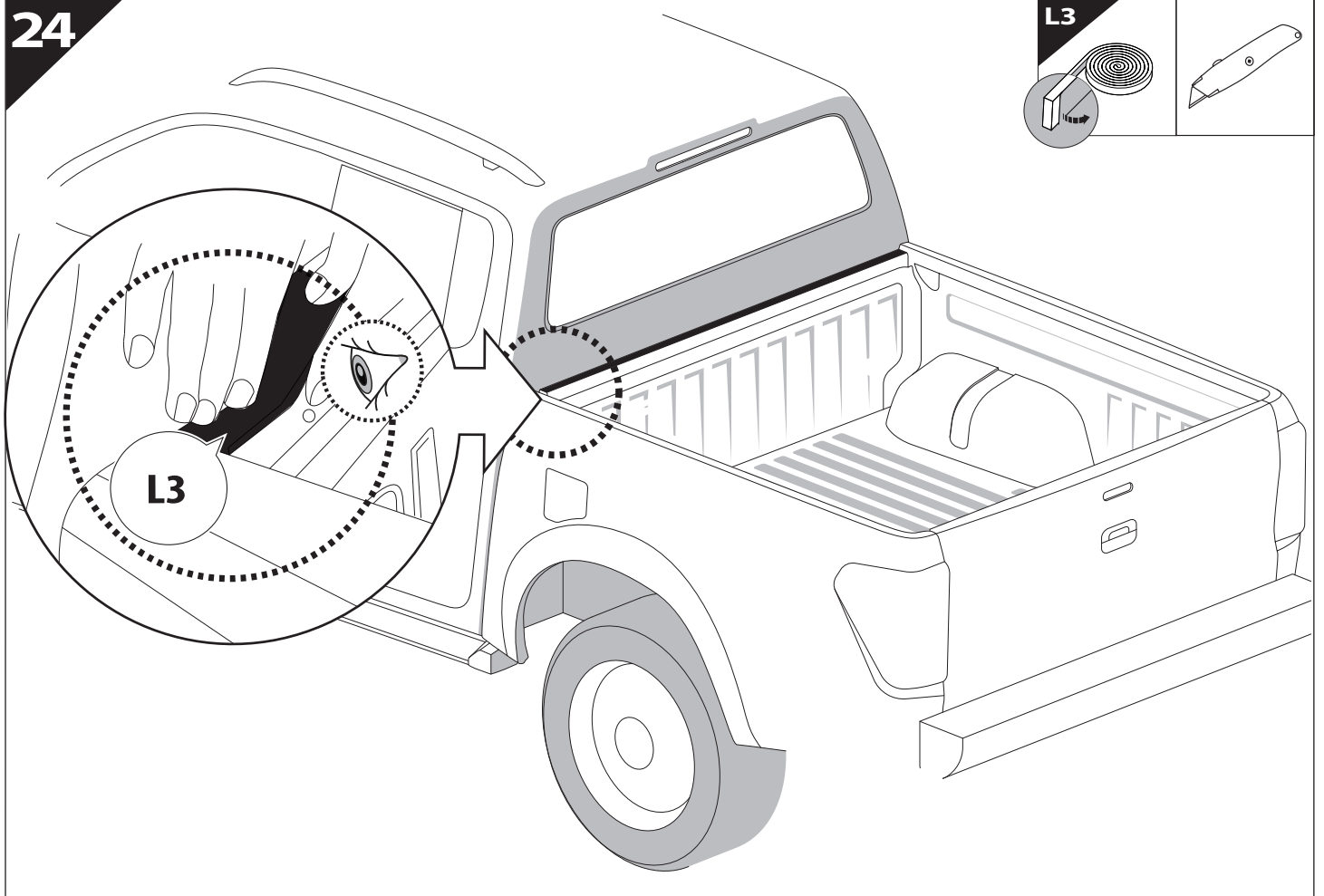
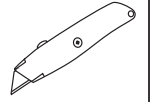
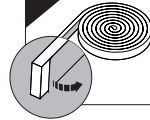
19

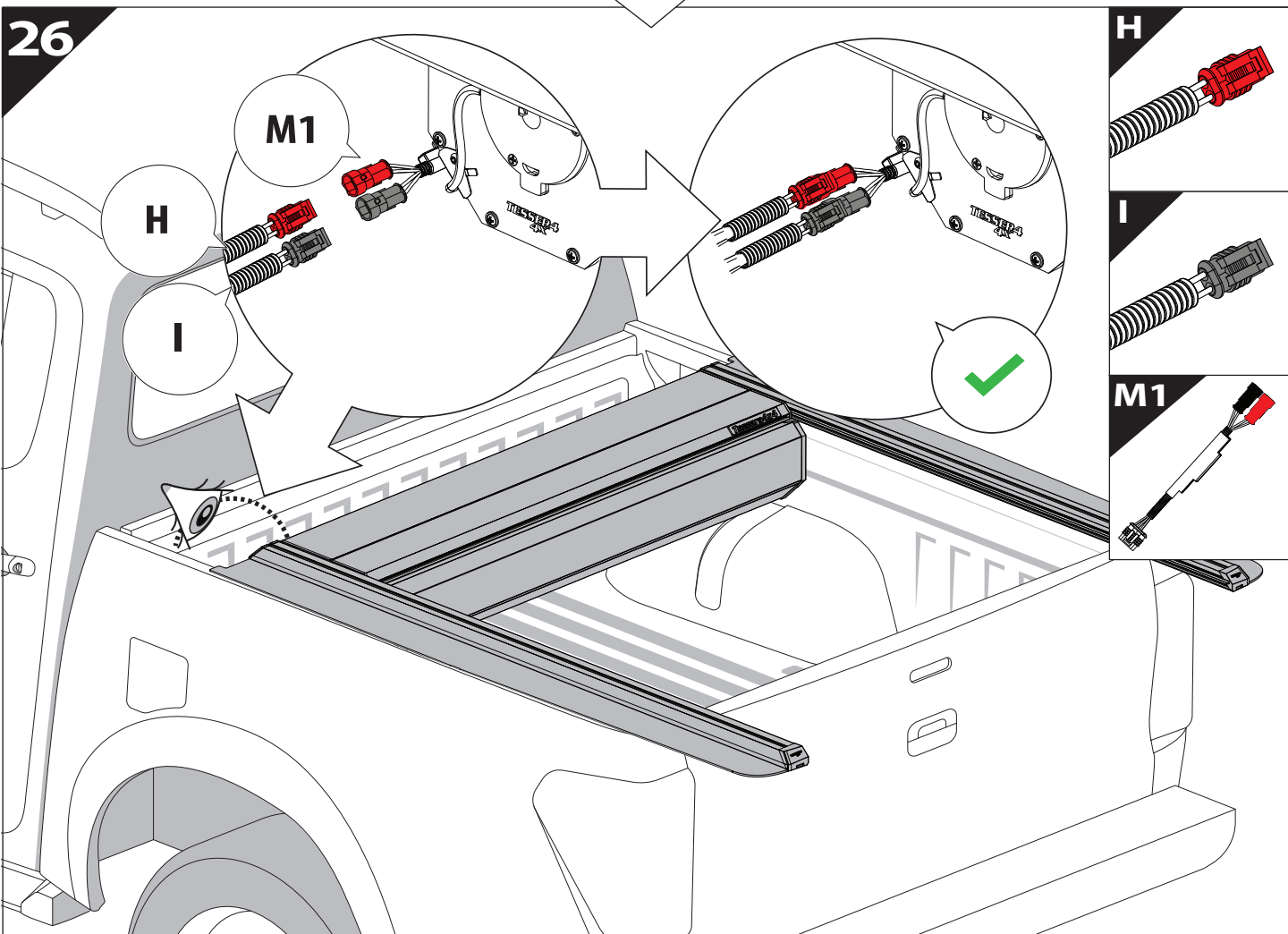
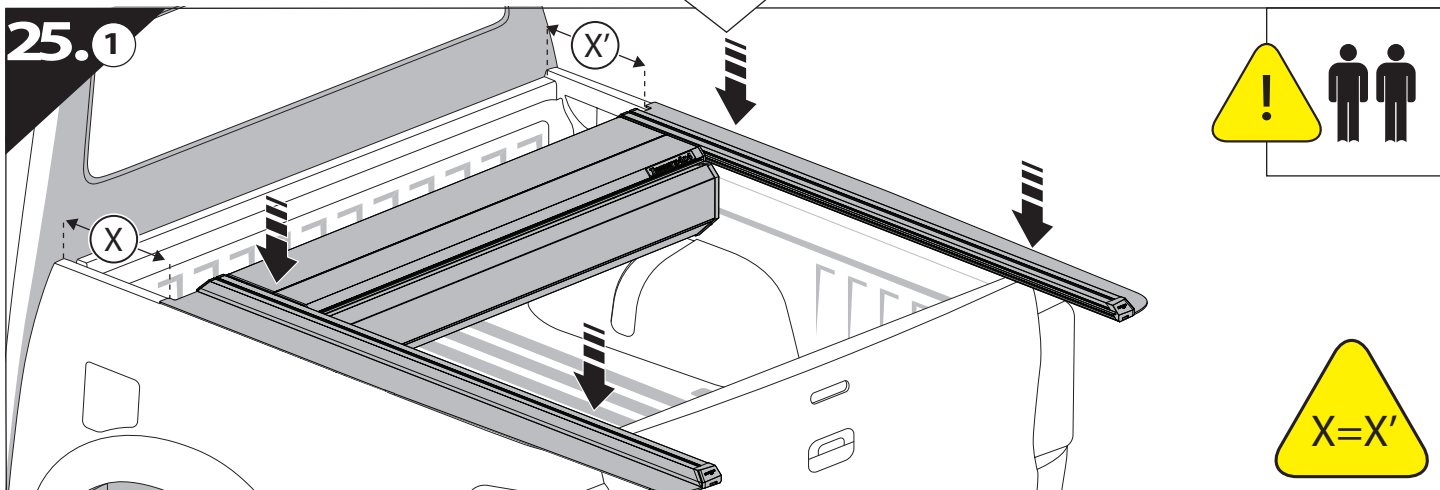
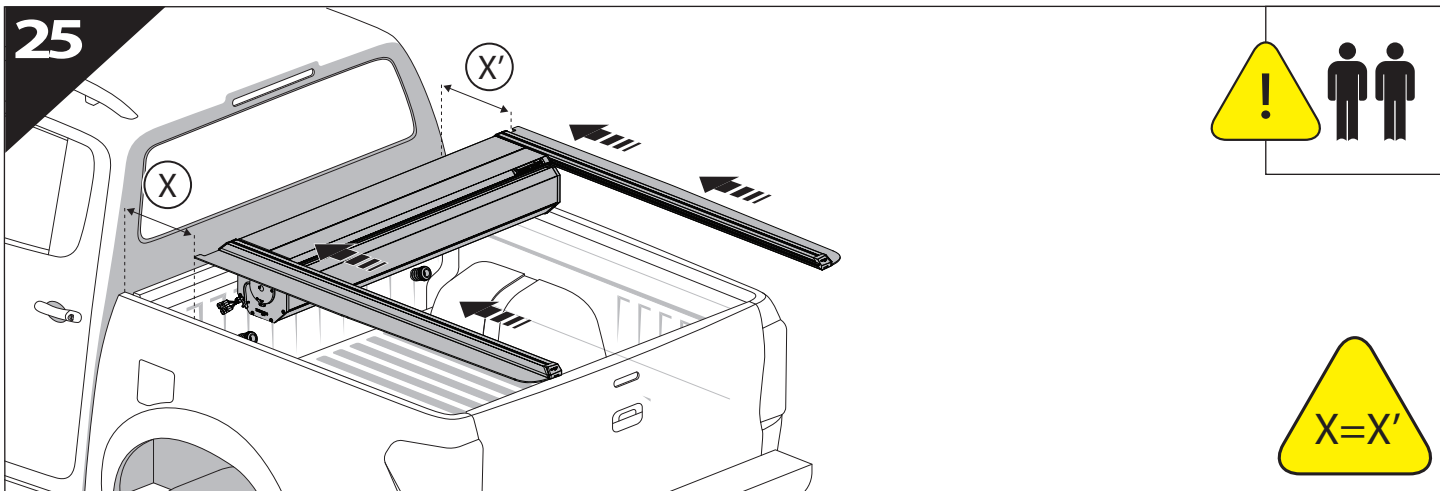


20



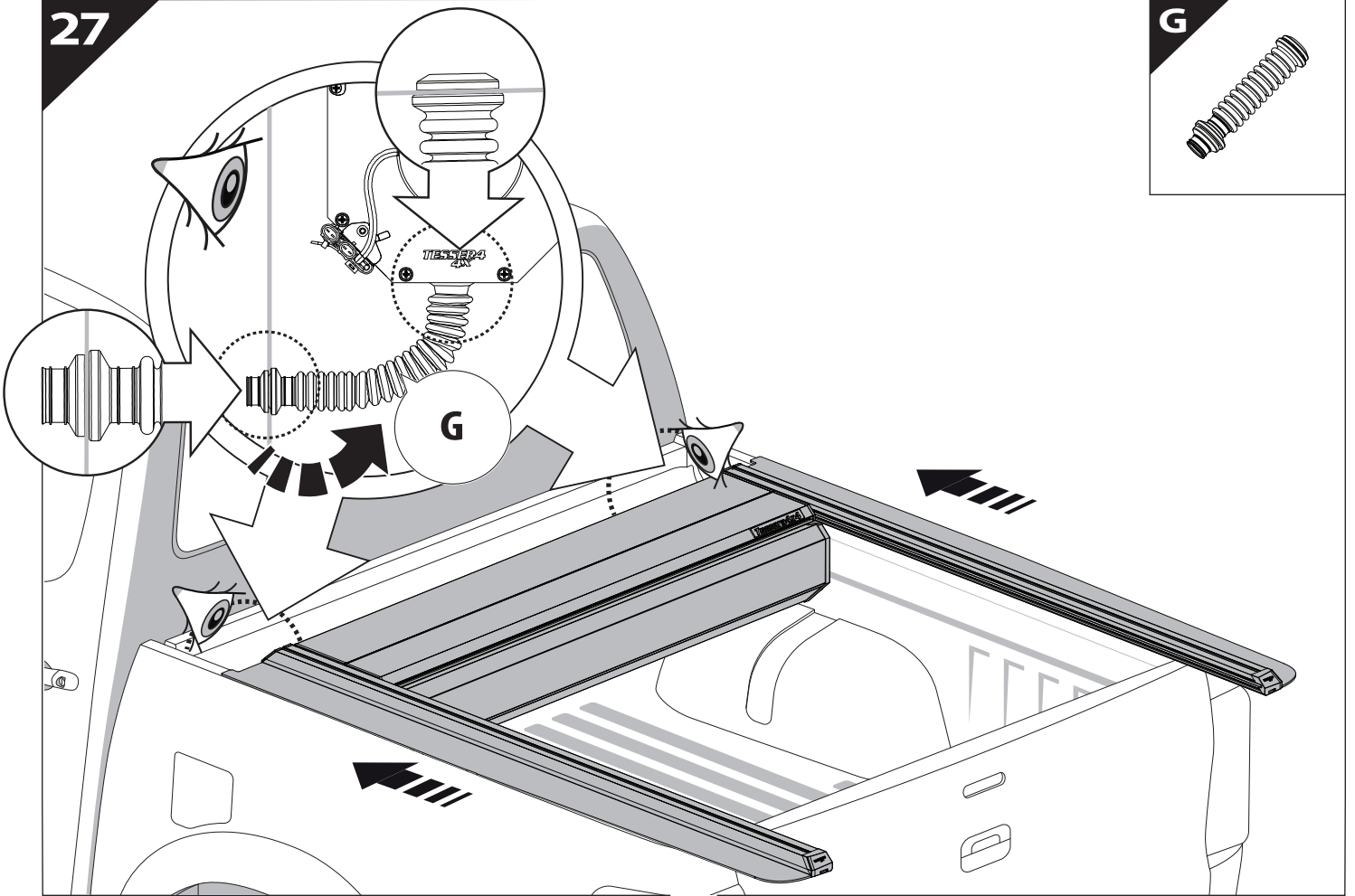




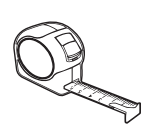
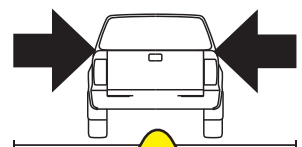
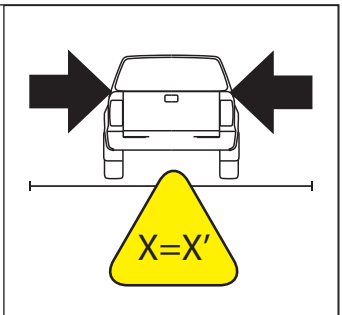
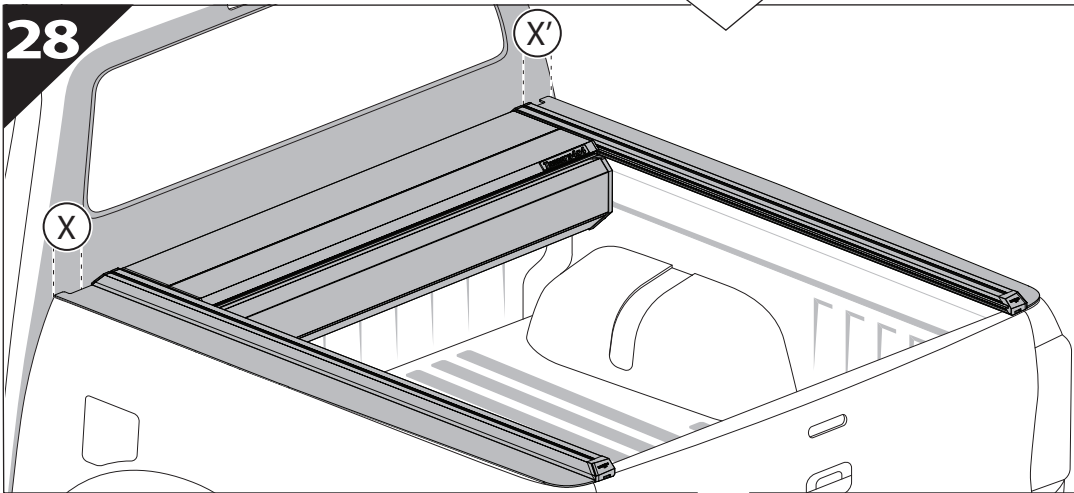


27

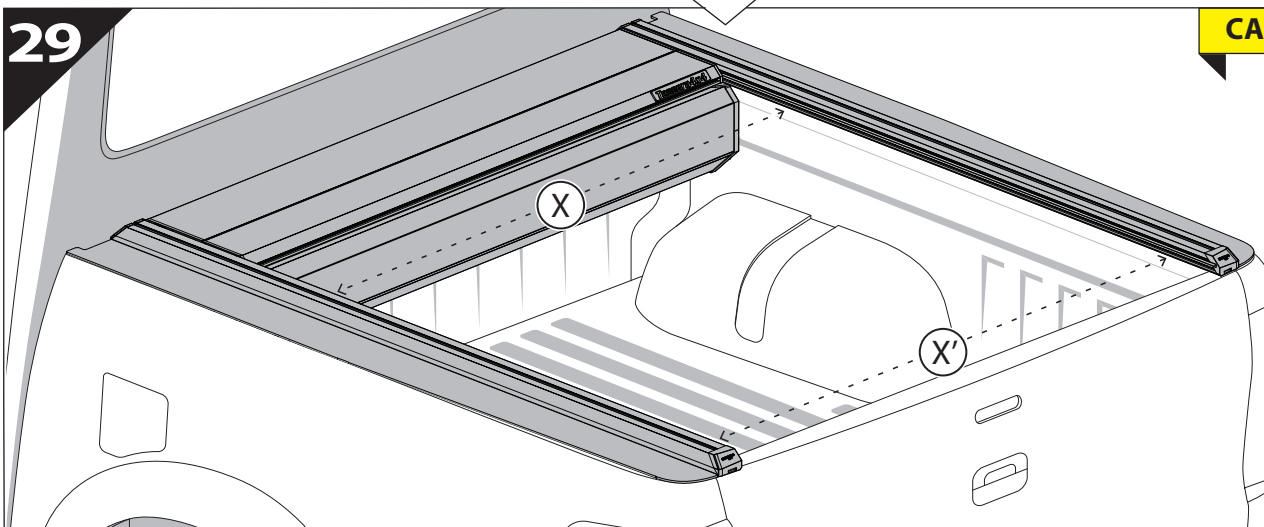
G



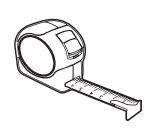
28

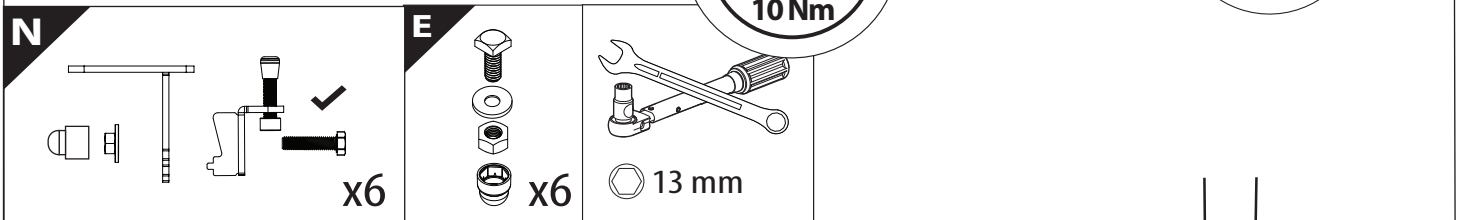
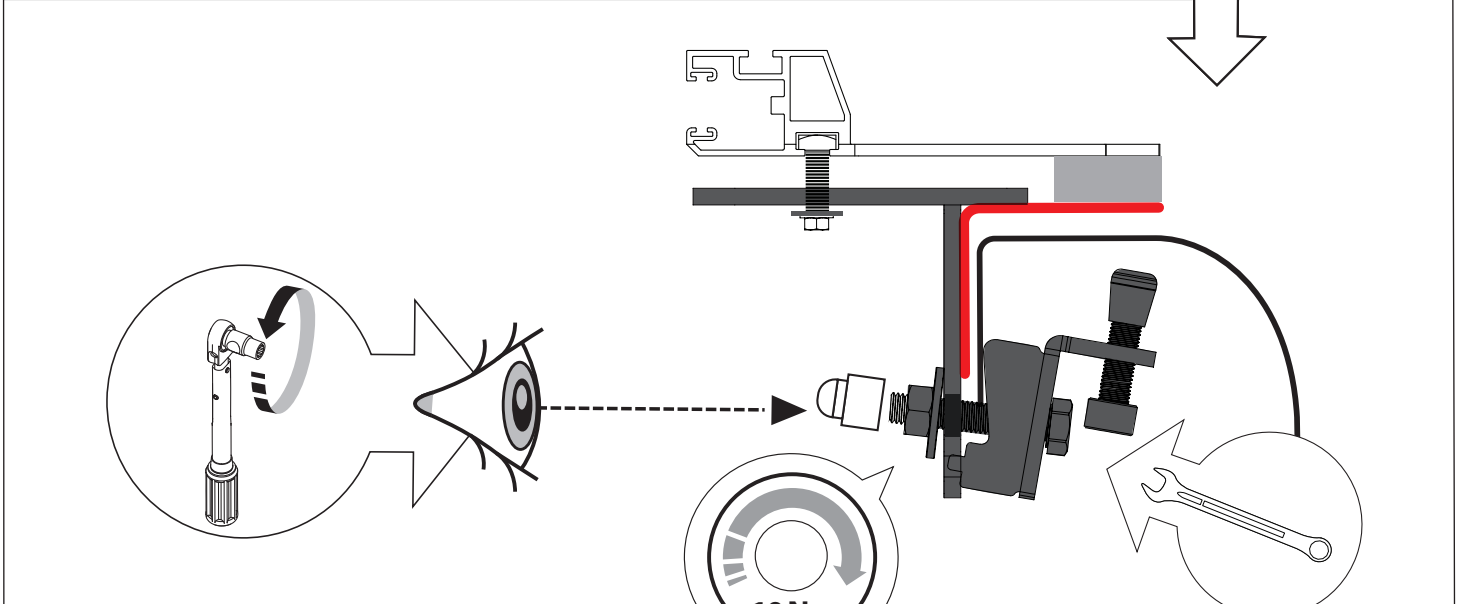
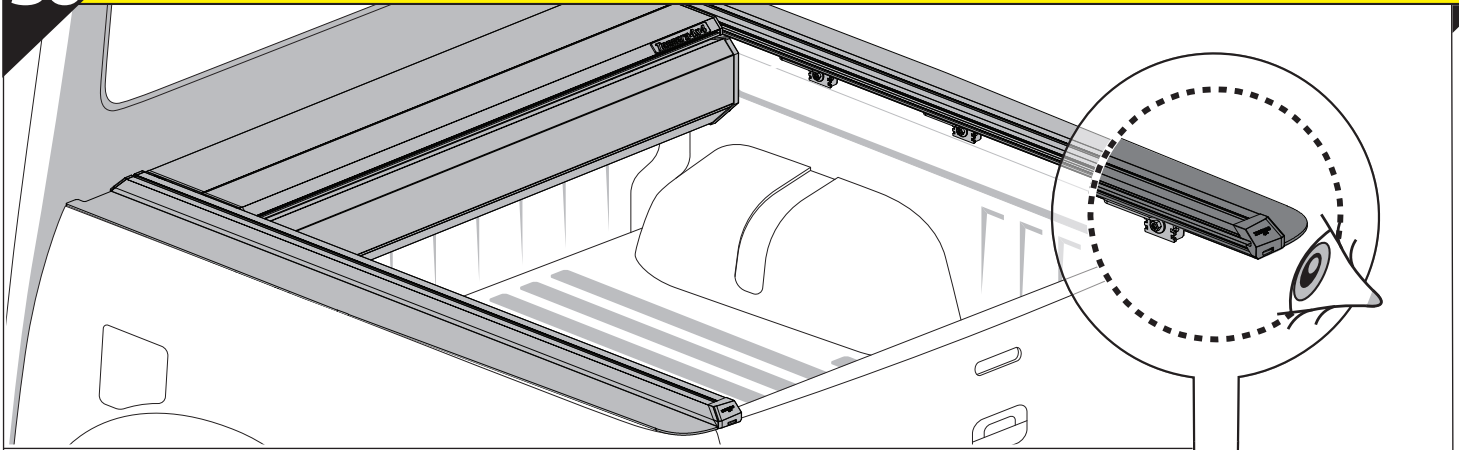


29

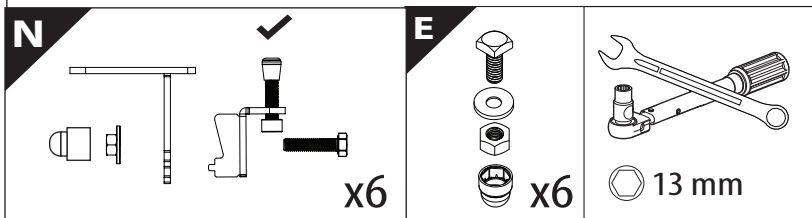
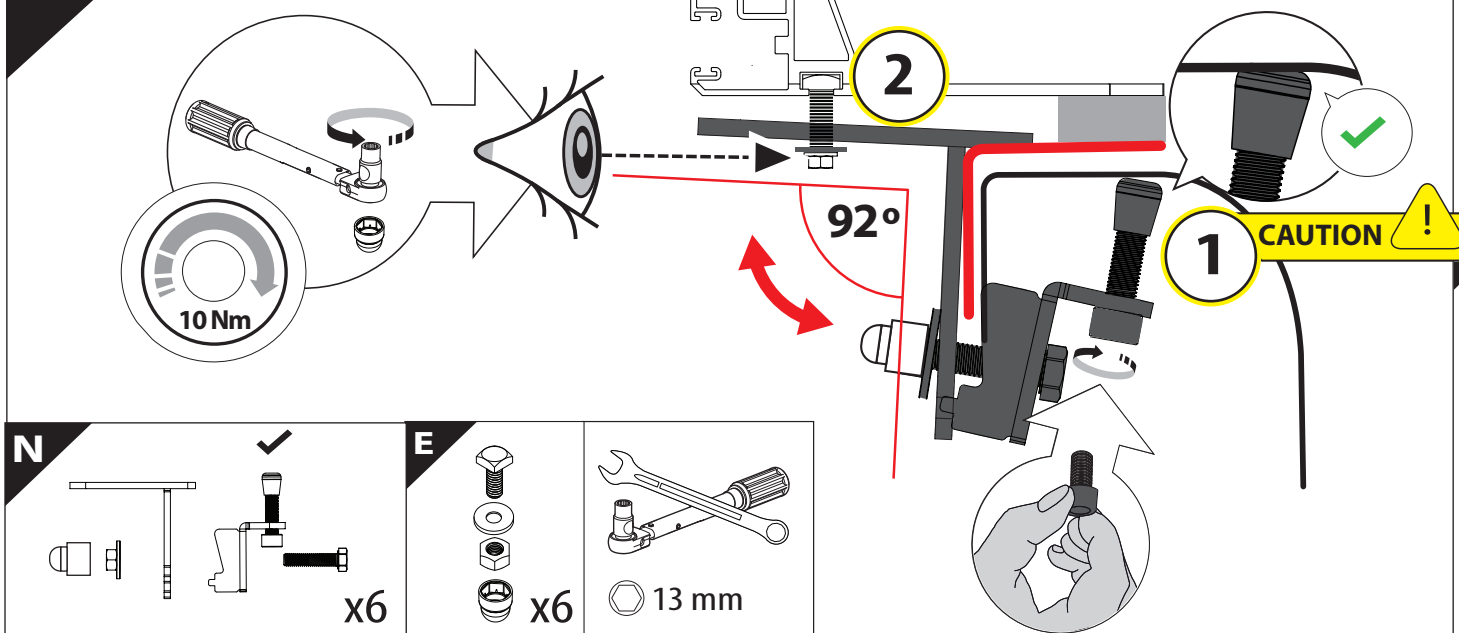


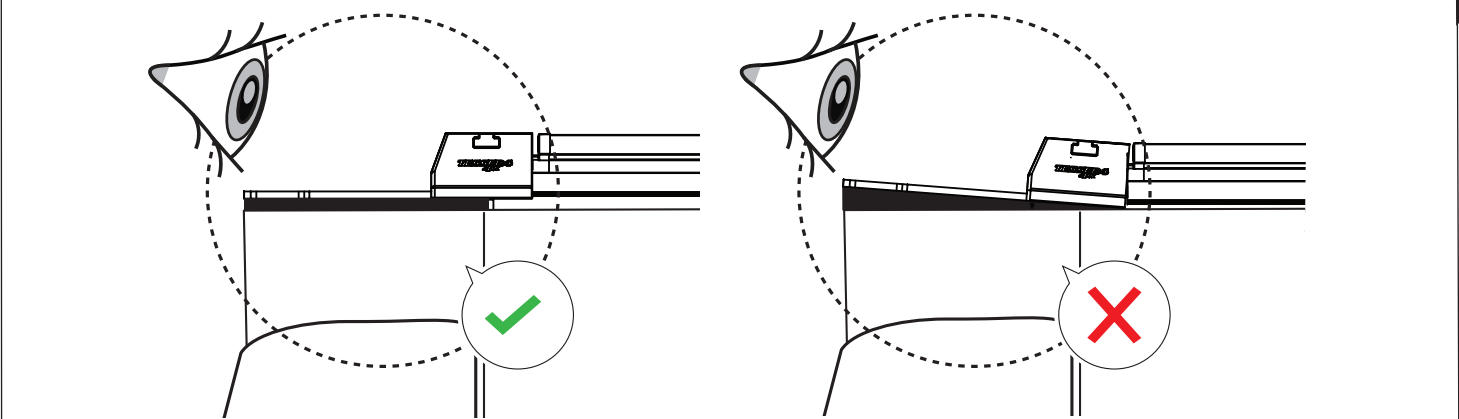
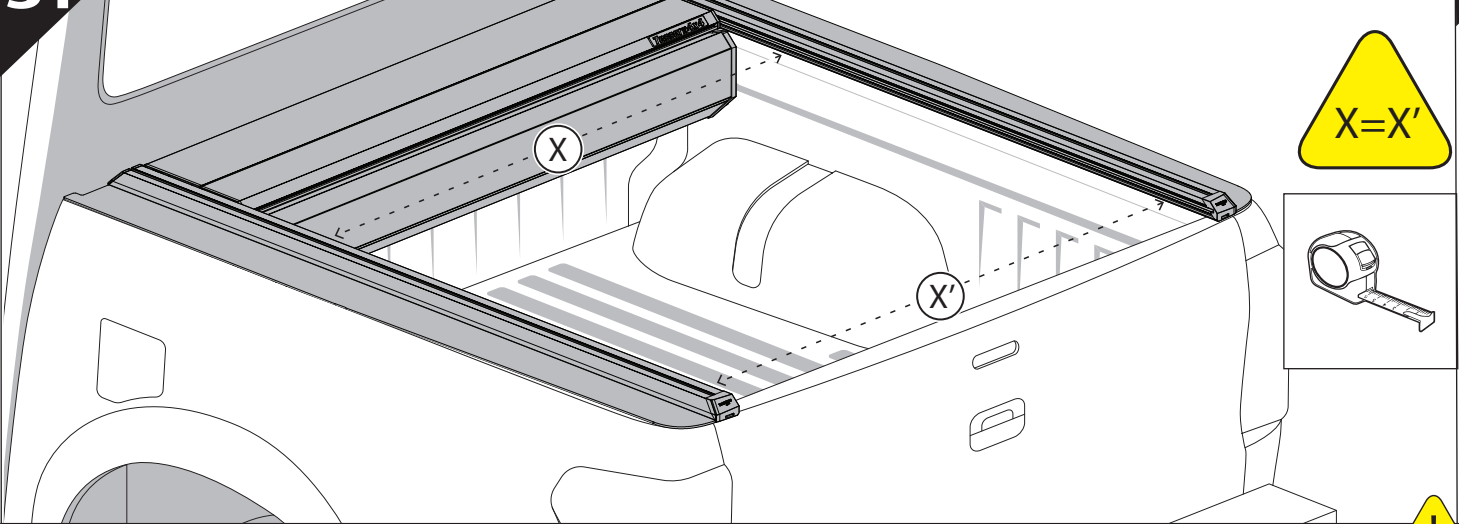
CAUTION !



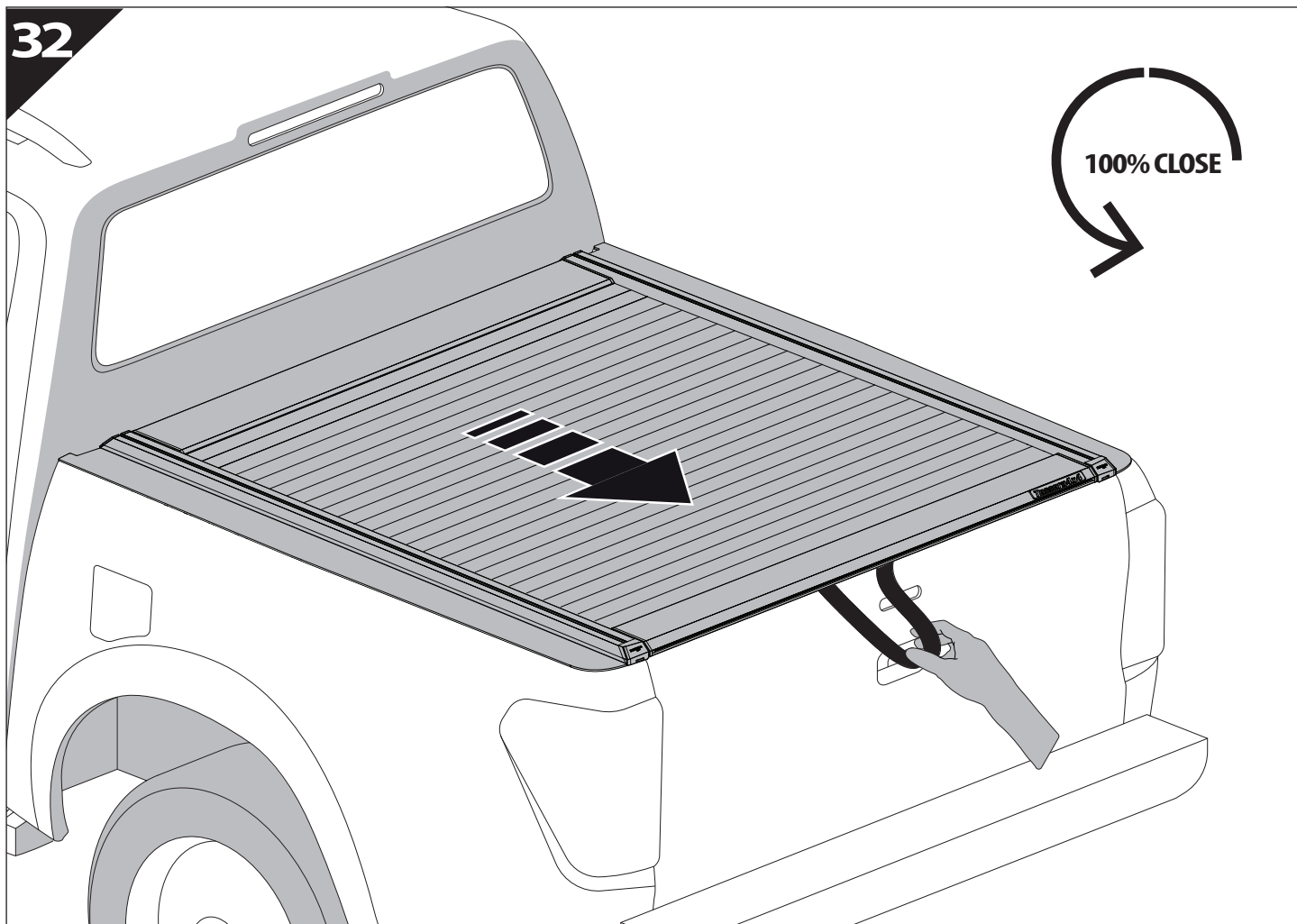


30.1

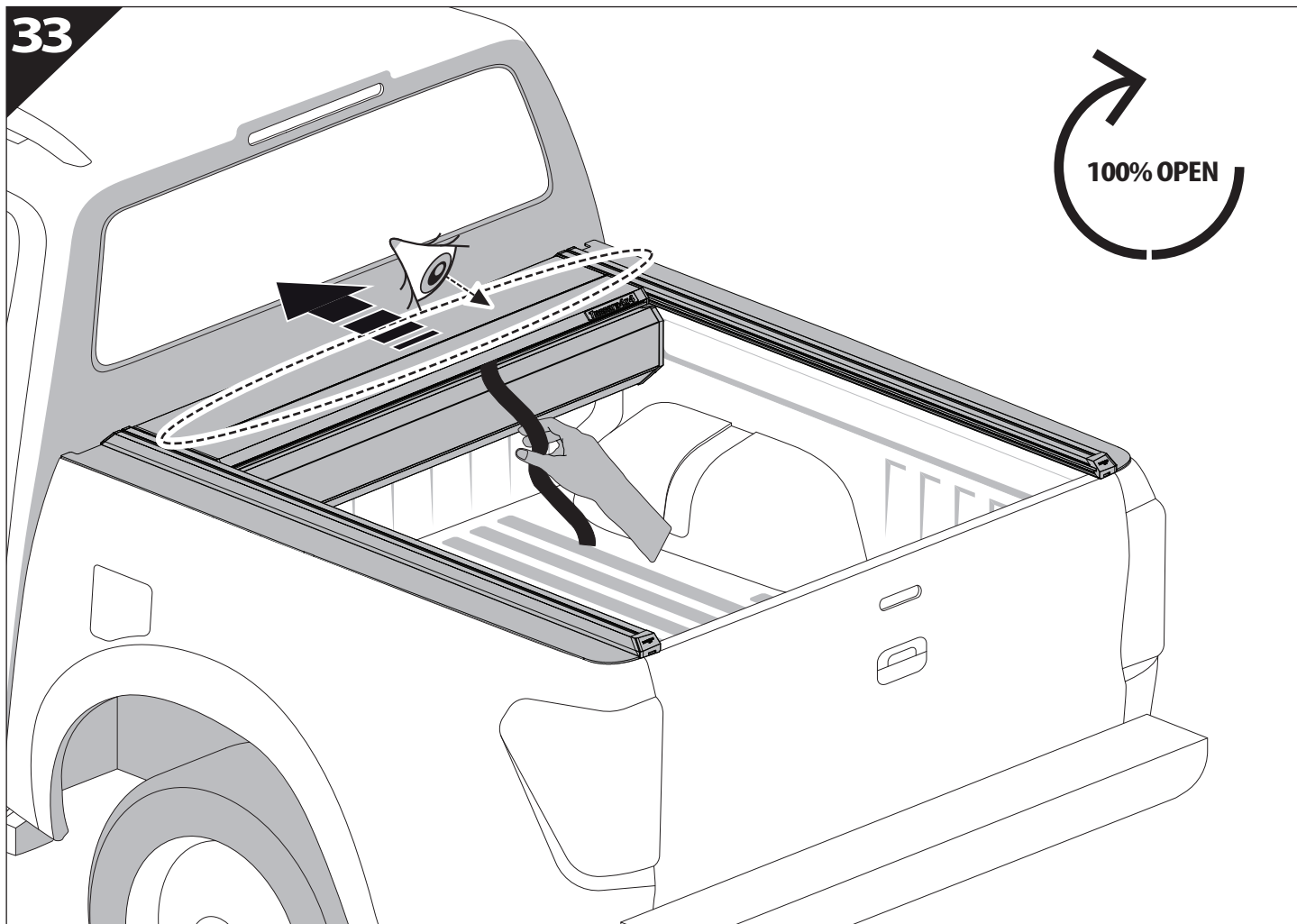




32



33





GR: Οδηγίες Εγκατάστασης
GB: Installation manual
SF: Asennusohje
F: Notice de montage
PL: Instrukcja montażu
NL: Installatie-instructies
TR: Montaj Talimatı
S: Monteringsanvisning
E: Instrucciones de montaje

H: Szerelési utasítás
P: Instruções de instalação
RUS: Инструкция по установке
N: Monteringsveiledning
D: Einbauanleitung
CZ: Návod k instalaci
I: Istruzioni de montaggio
DK: Monteringsvejledning
RO: Instructiuni de instalare

Customer Service:

+30 (210) 5541161, +30 (210) 5541154 (08:00 - 16:00 EET)

Support department:

info@gianso.gr

Website:

www.tessera4x4.com

Address:

19.5 km of National road Athens-Korinthos (Elefsina) Greece, P.C: 19240