

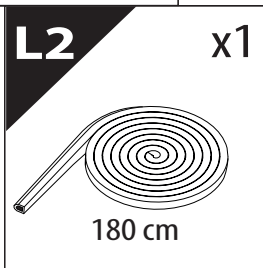
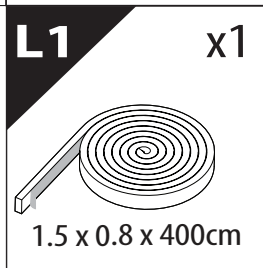
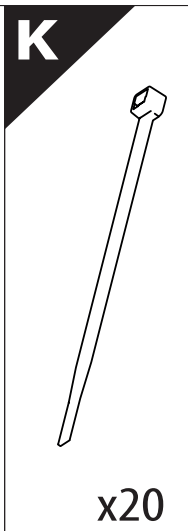
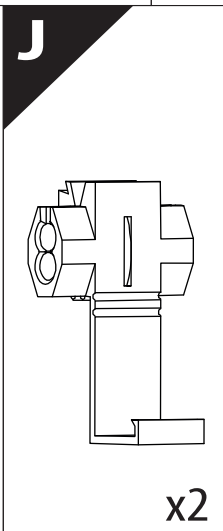
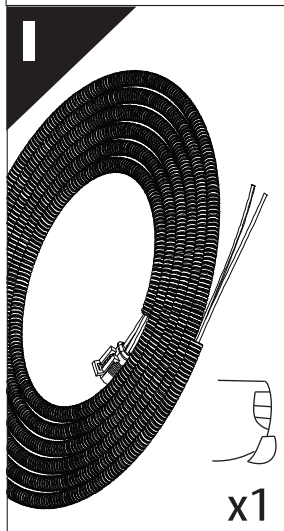
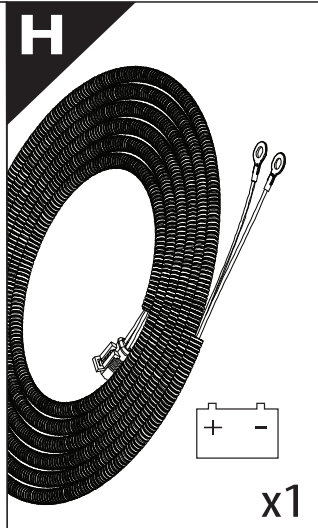
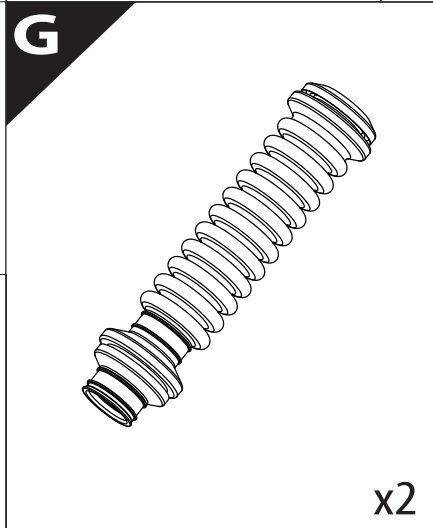
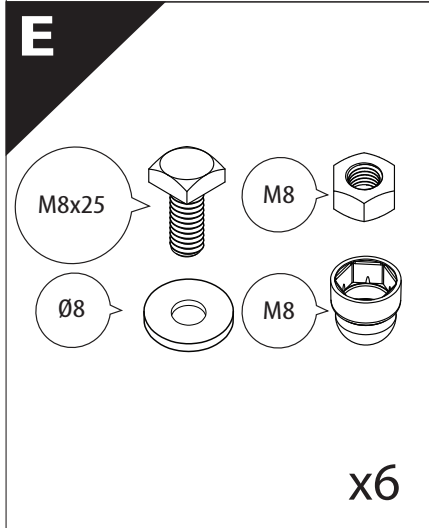
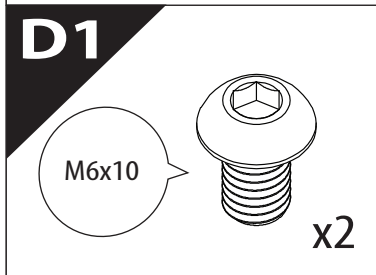
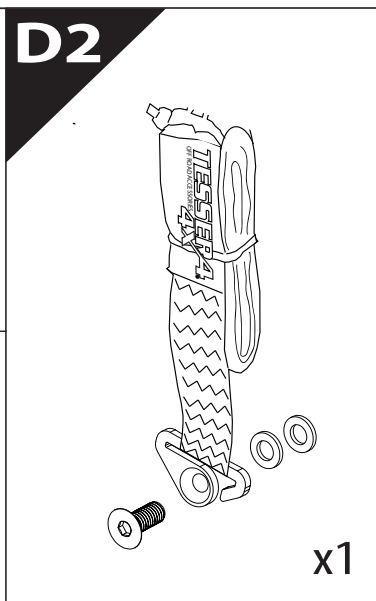
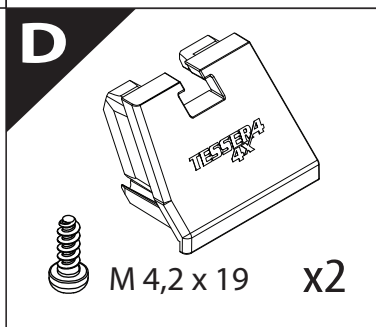
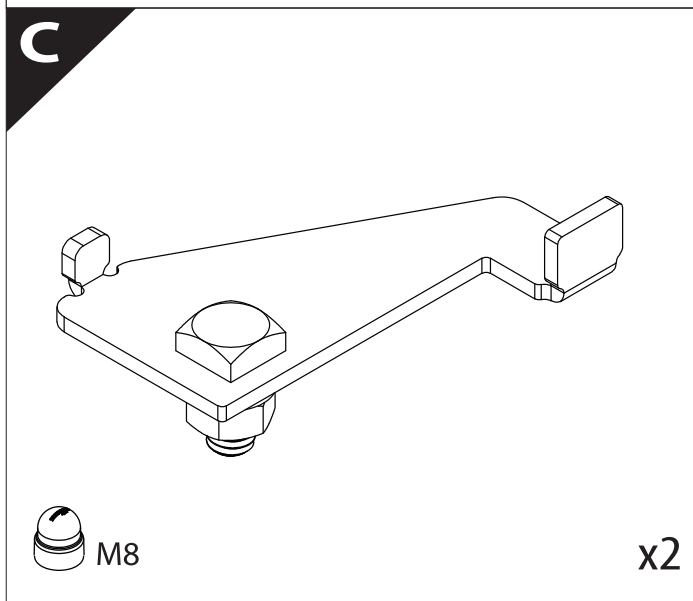
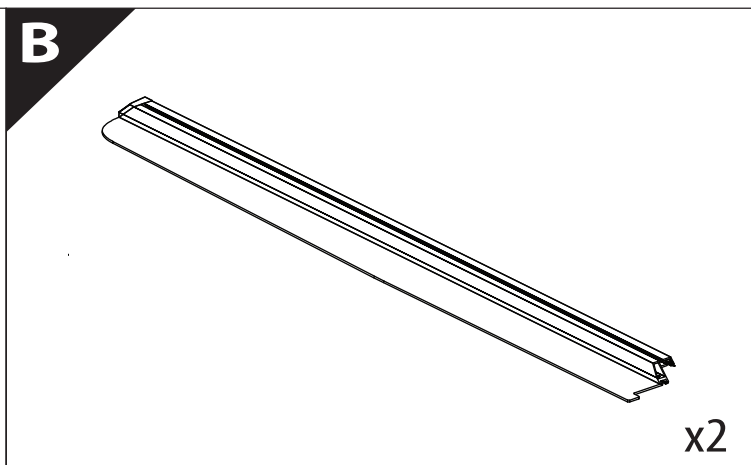
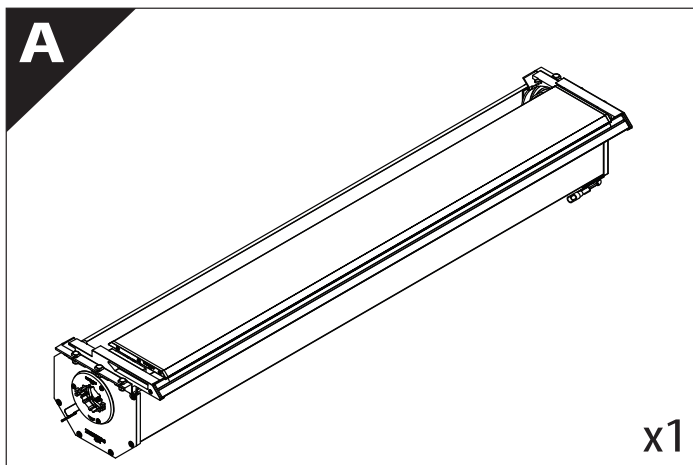
Tessera Roll+

Basic Version + ⚡ E-KIT

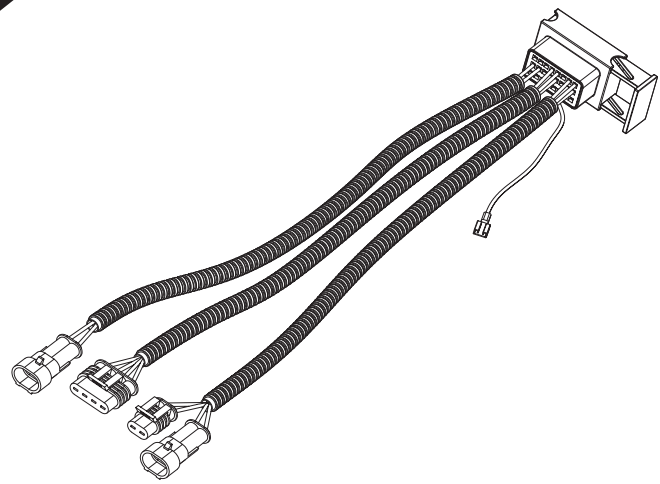


Installation Manual

PART NUMBER(S)	Model Year
TESS 1456 ROLL+E-KIT	GMC Hummer EV 2025+
FEET	Installation Time / Weight
5 Feet	40-60 minutes / 53-57 kg

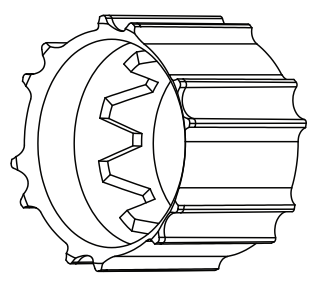


M2



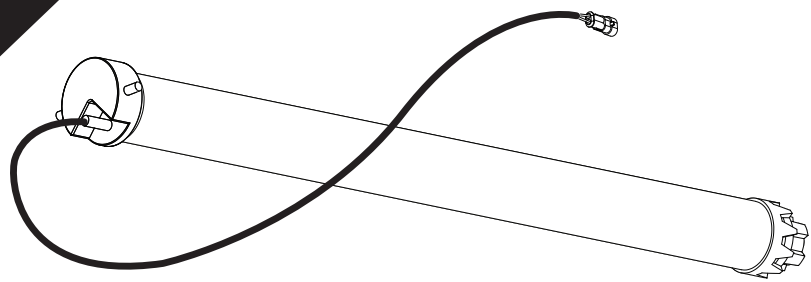
x1

N



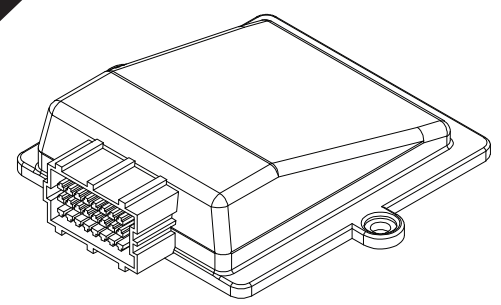
x1

O



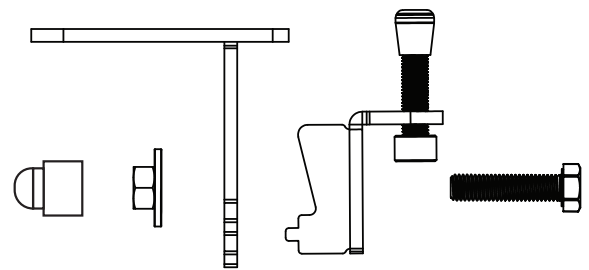
x1

P



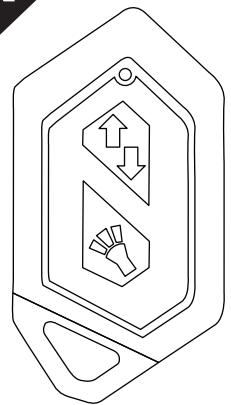
x1

Q



x6

R

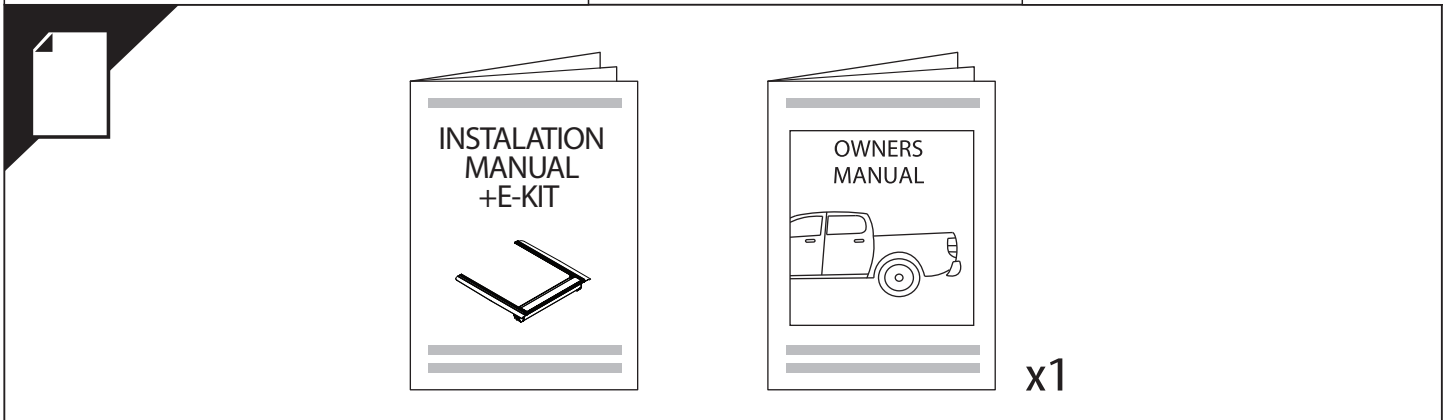
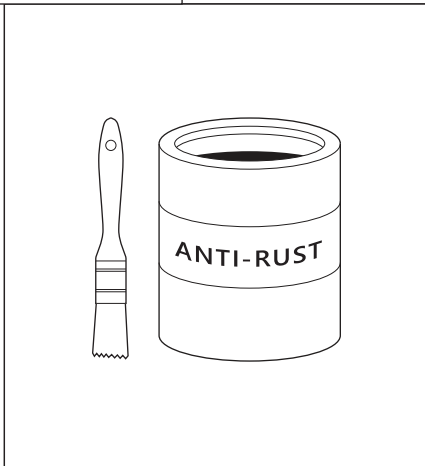
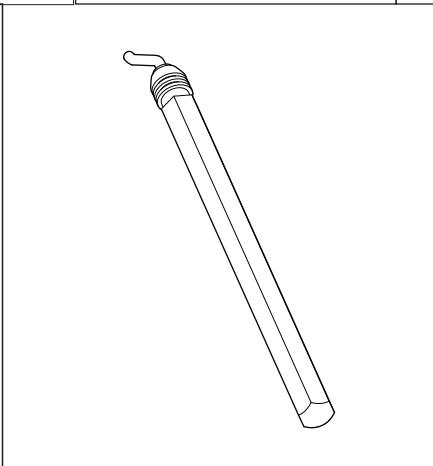
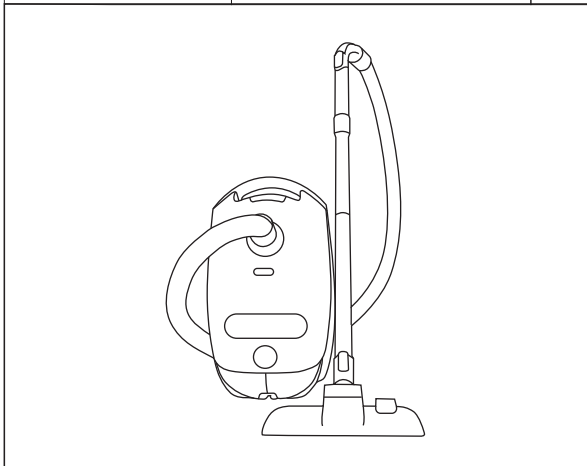
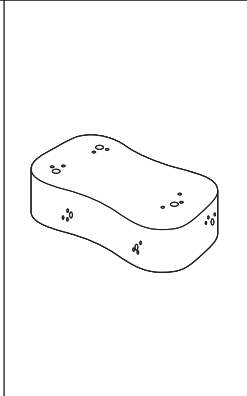
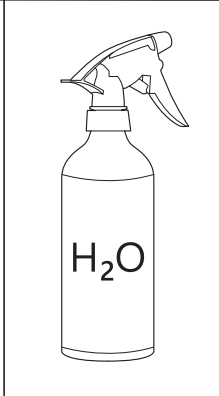
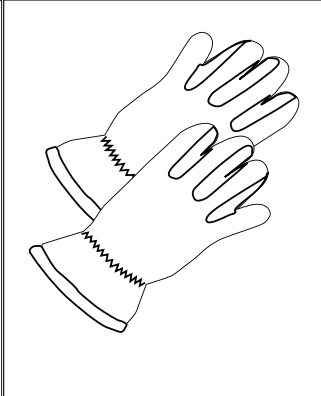
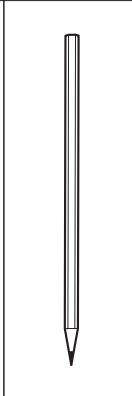
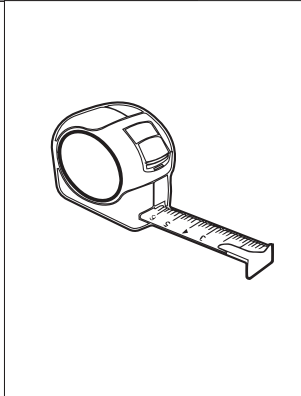
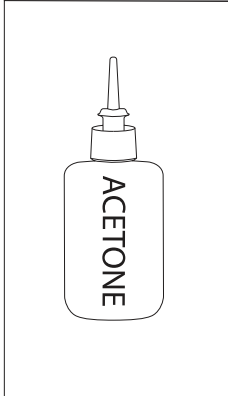
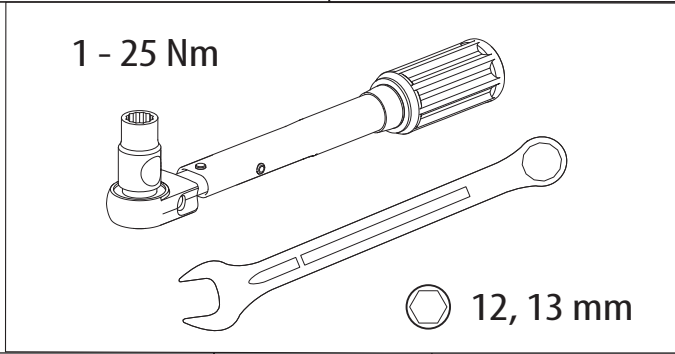
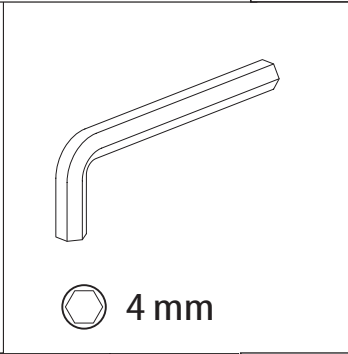
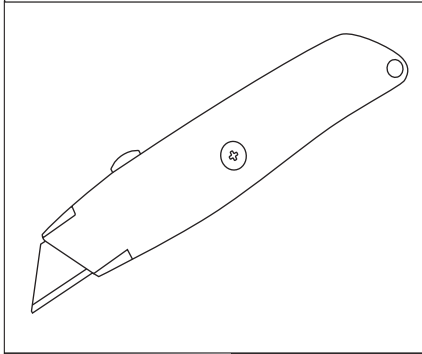
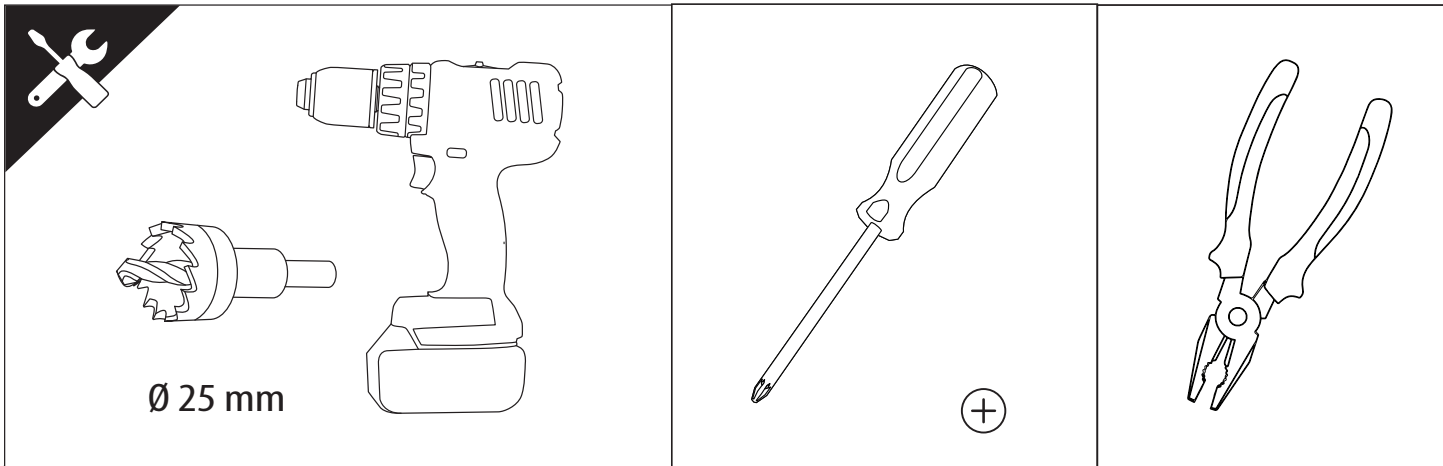


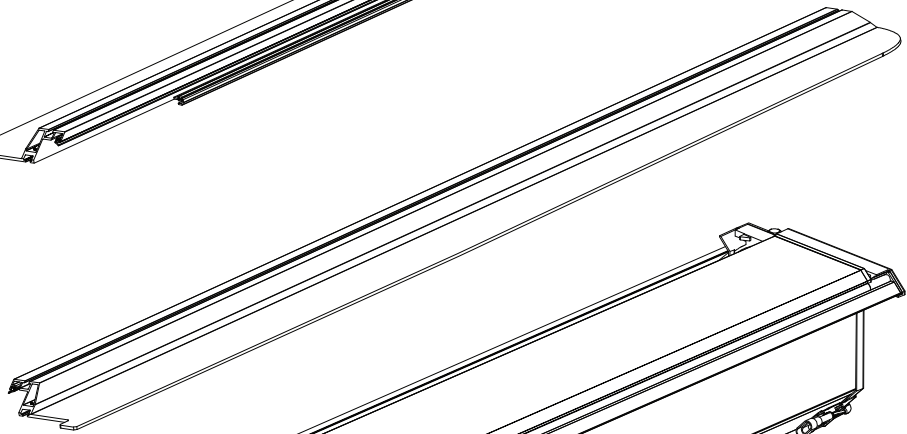
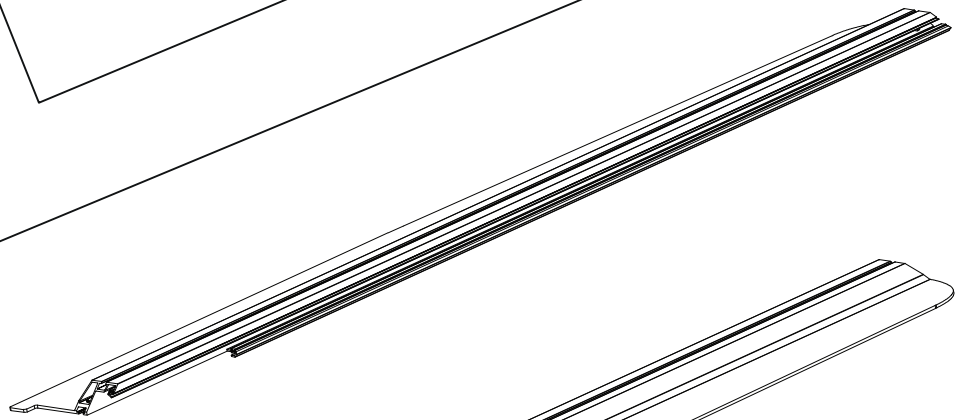
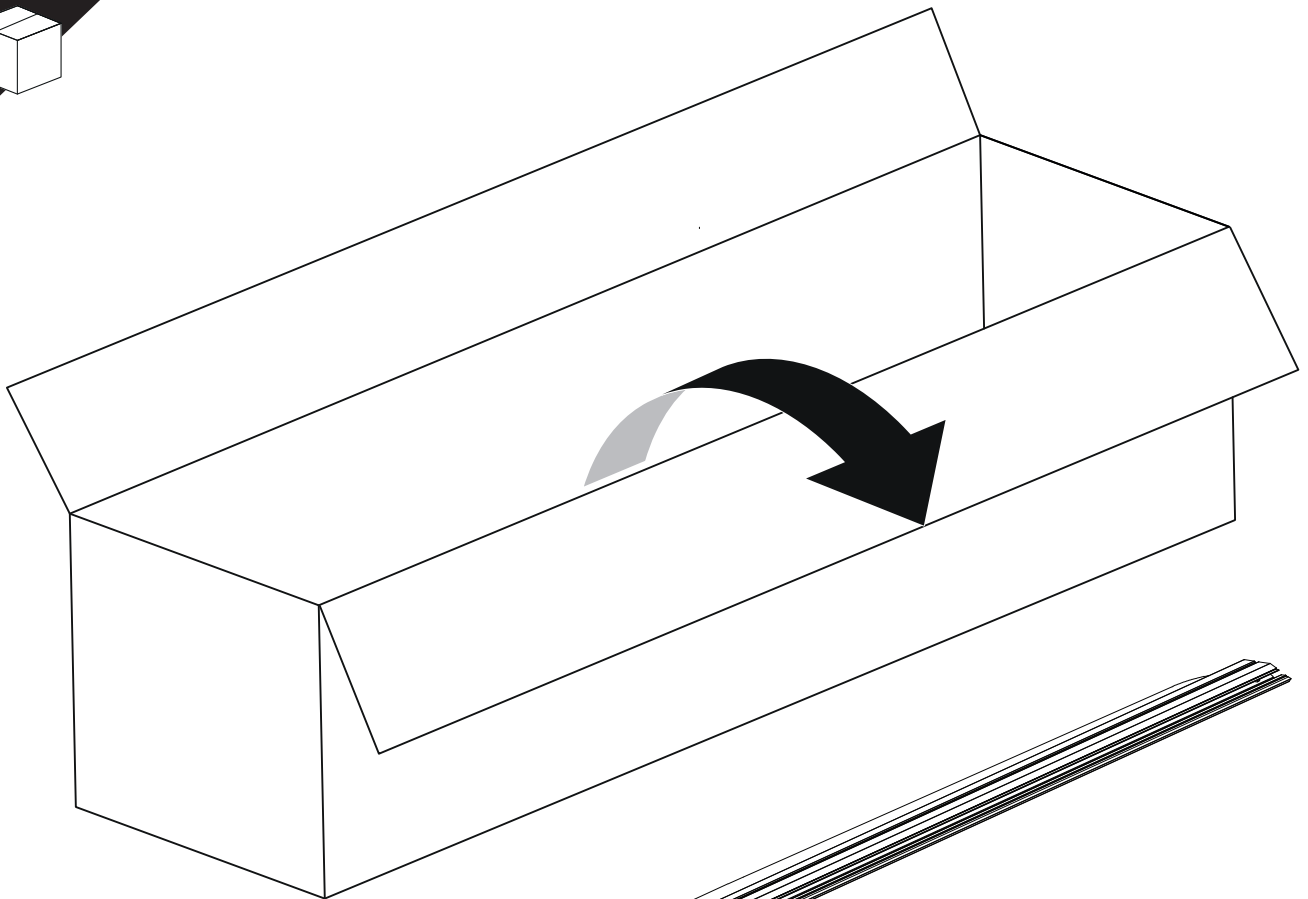
x2

S

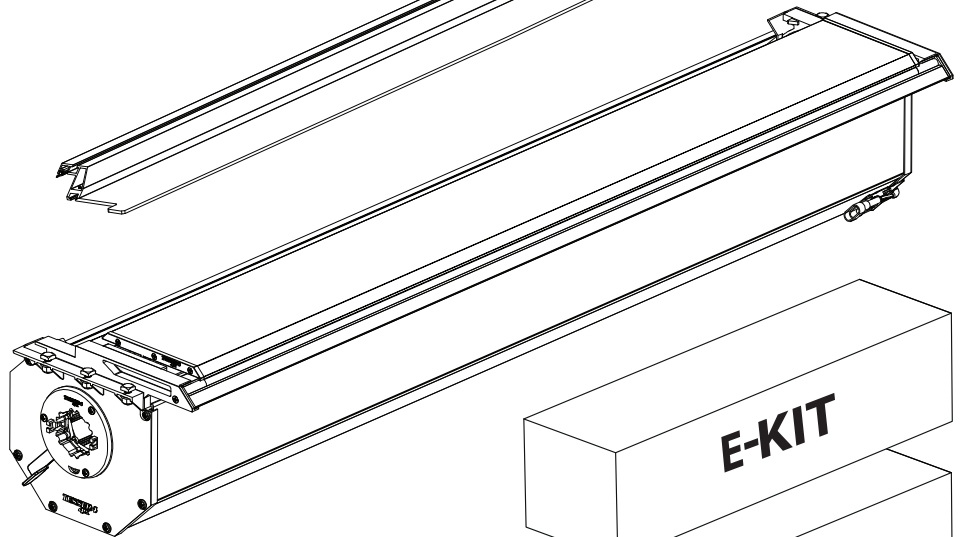


x2

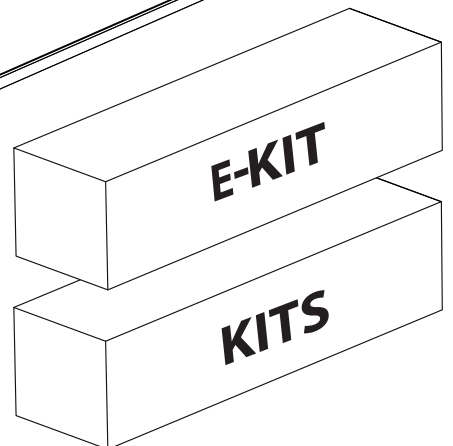




B

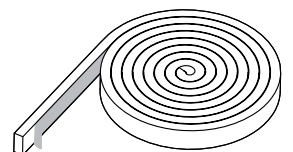


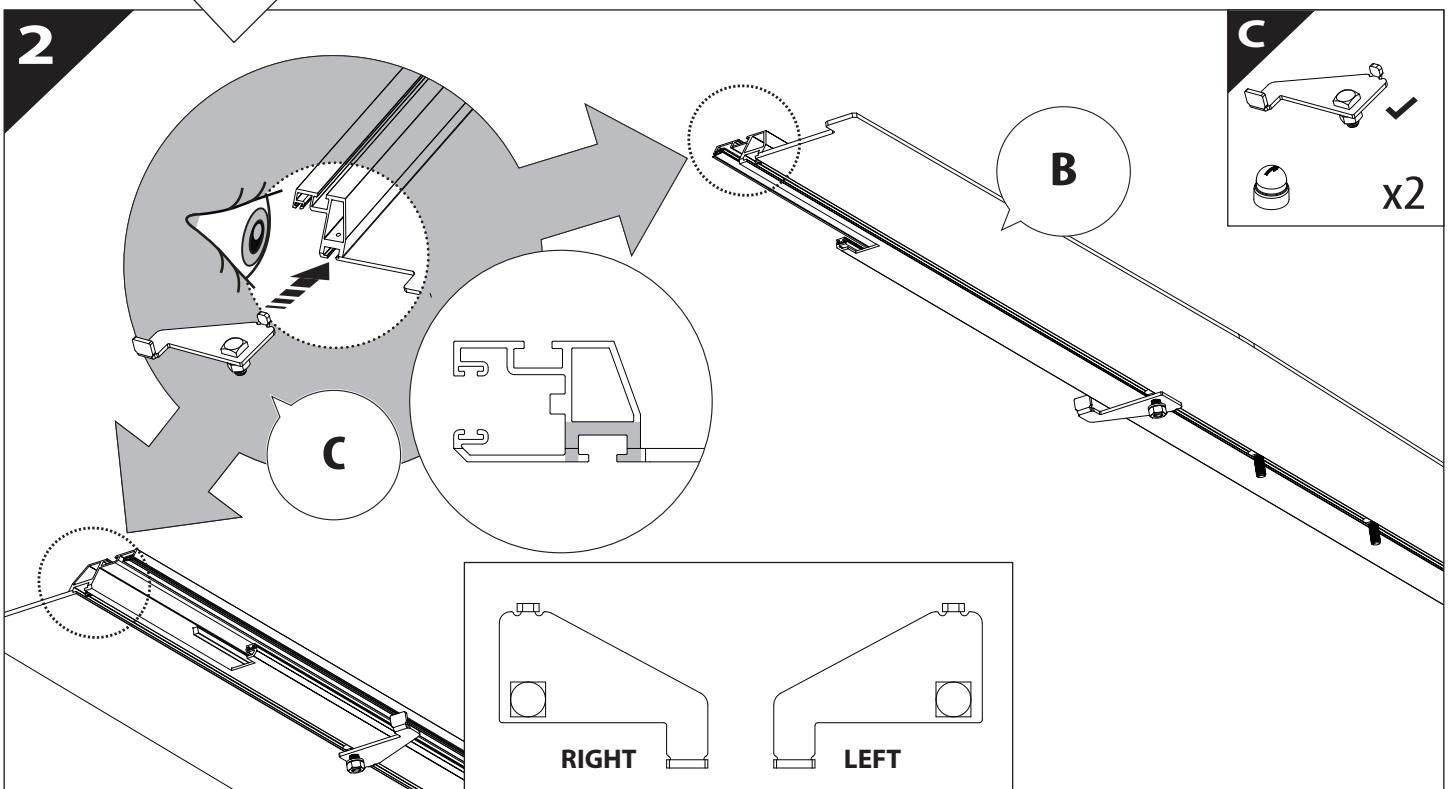
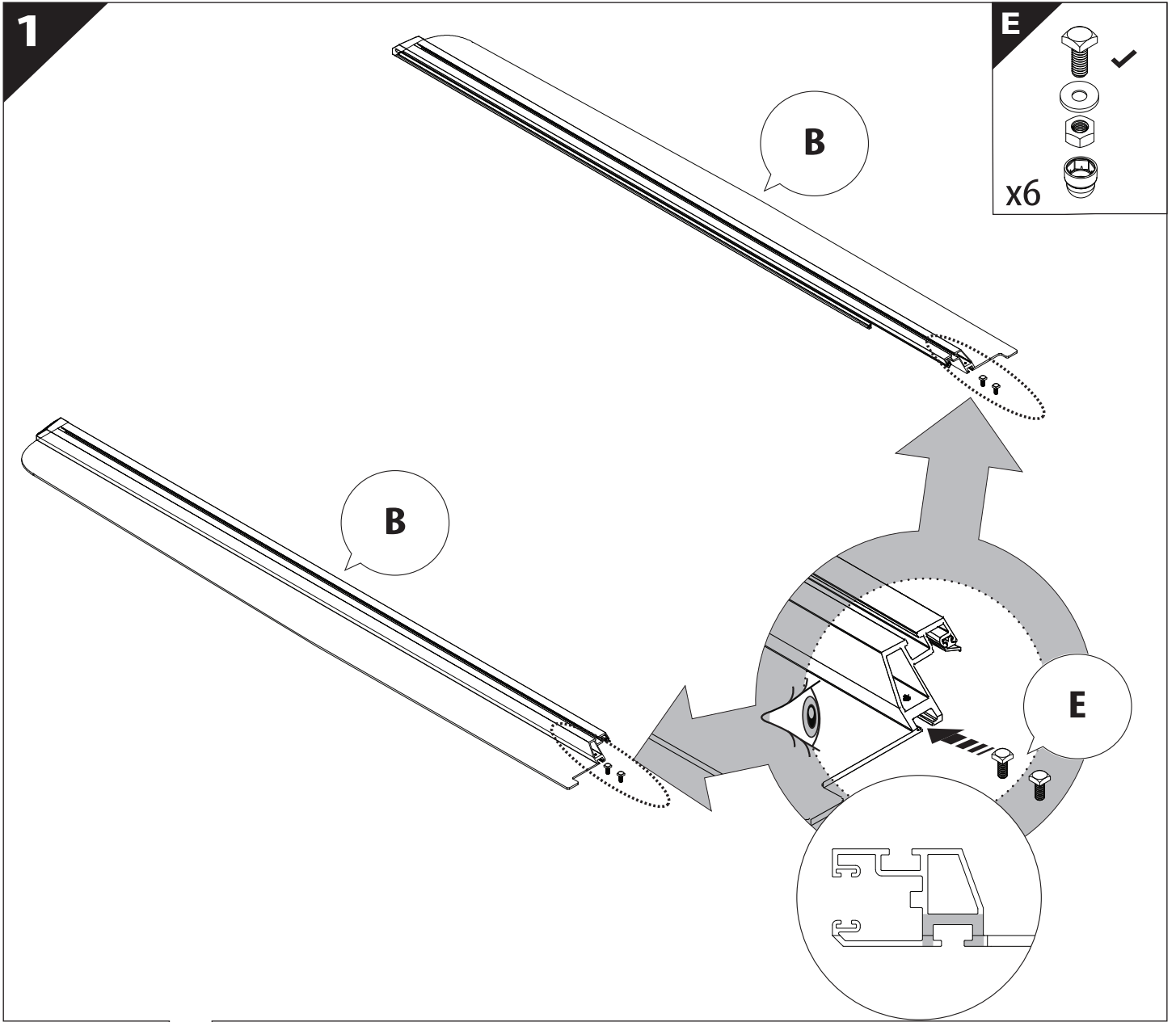
A



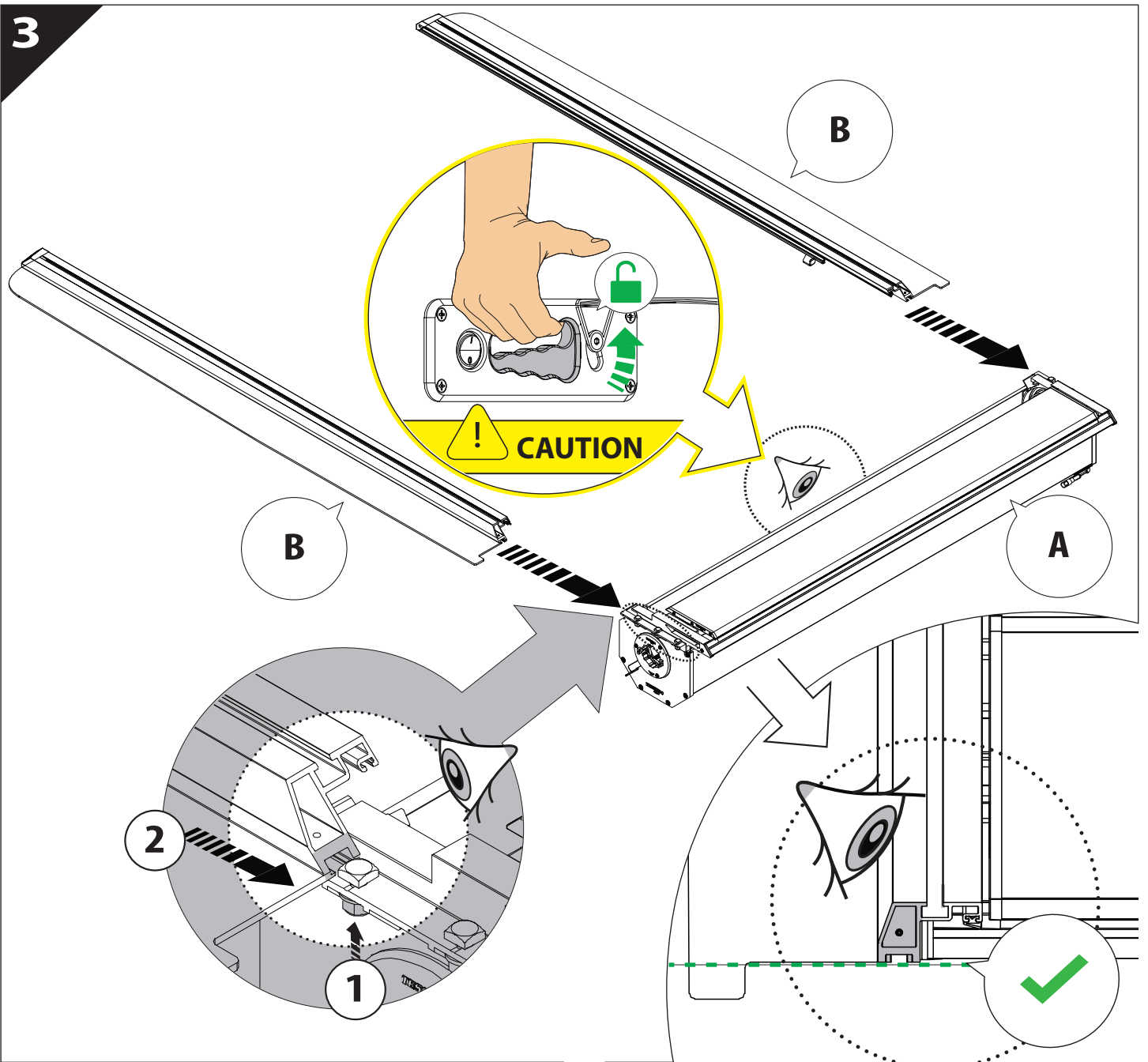
KITS

L

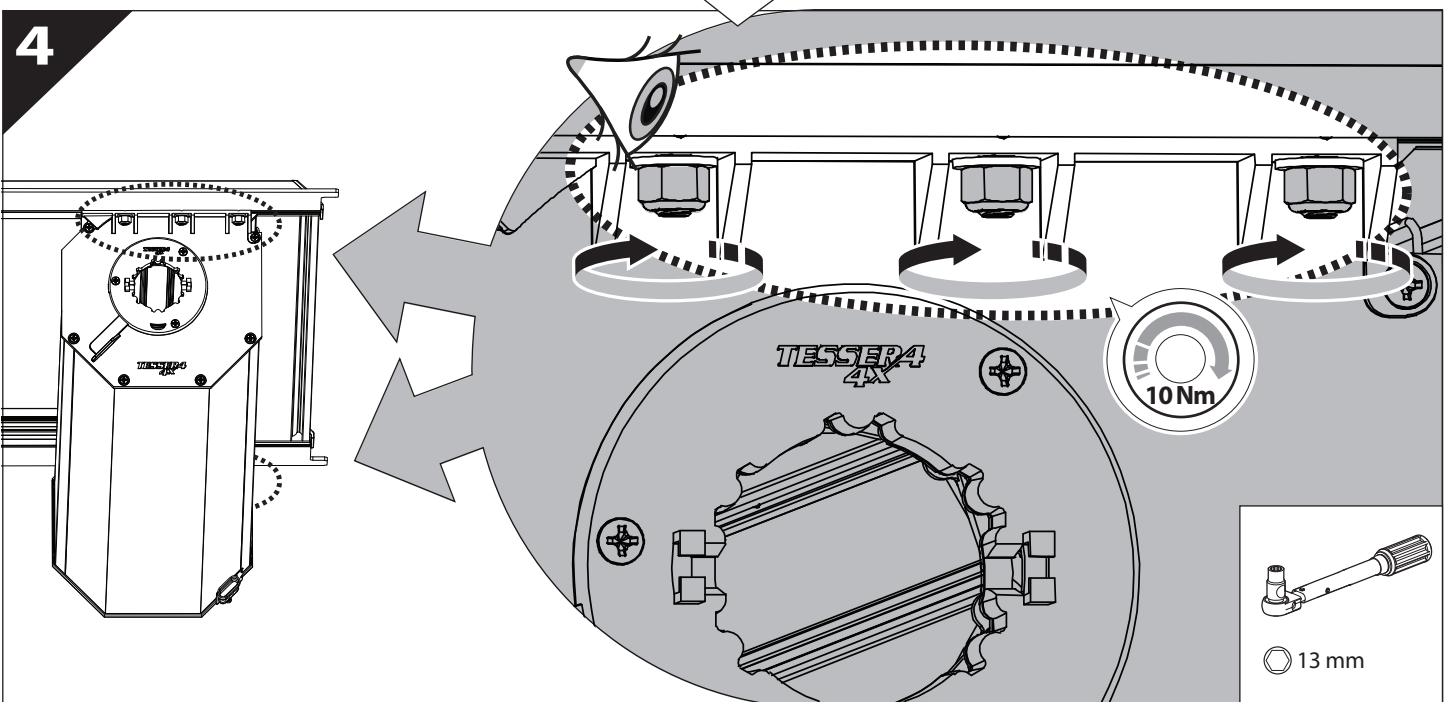


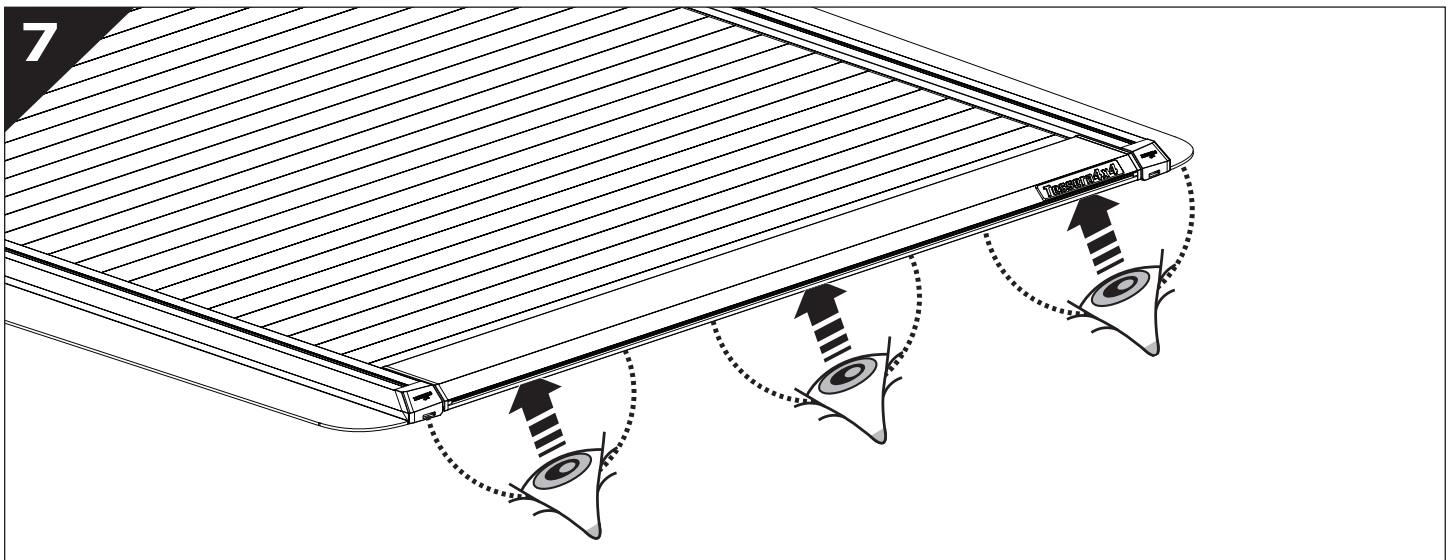
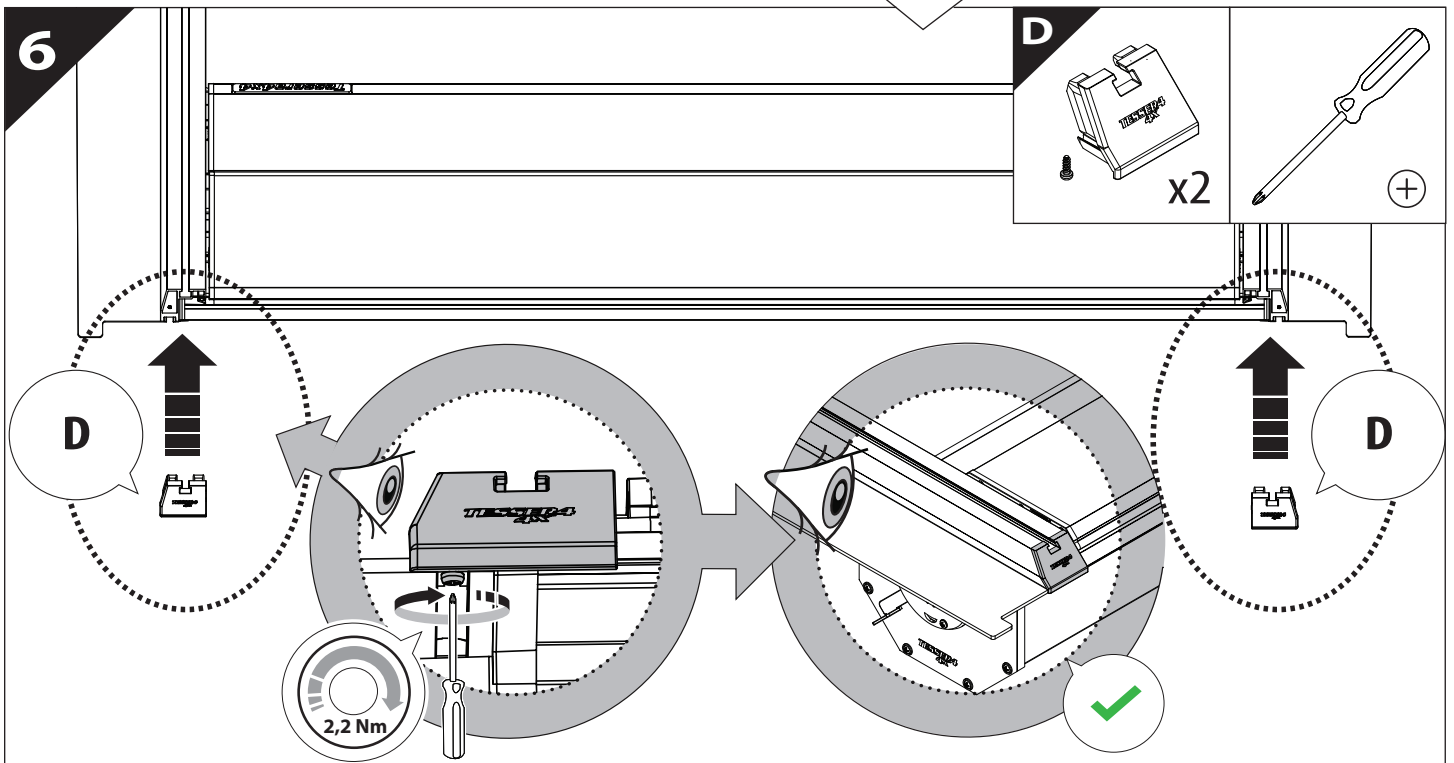
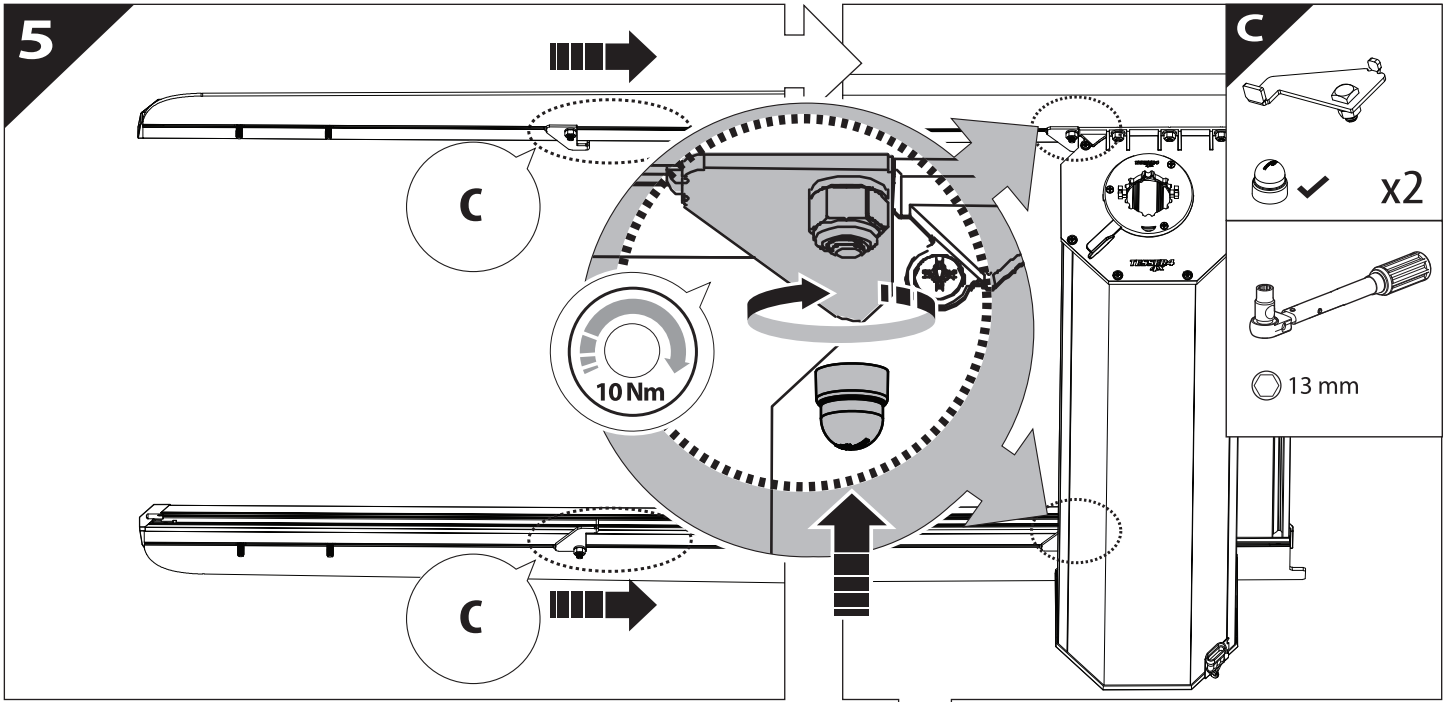


3

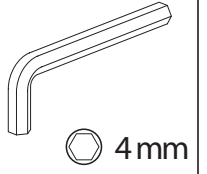
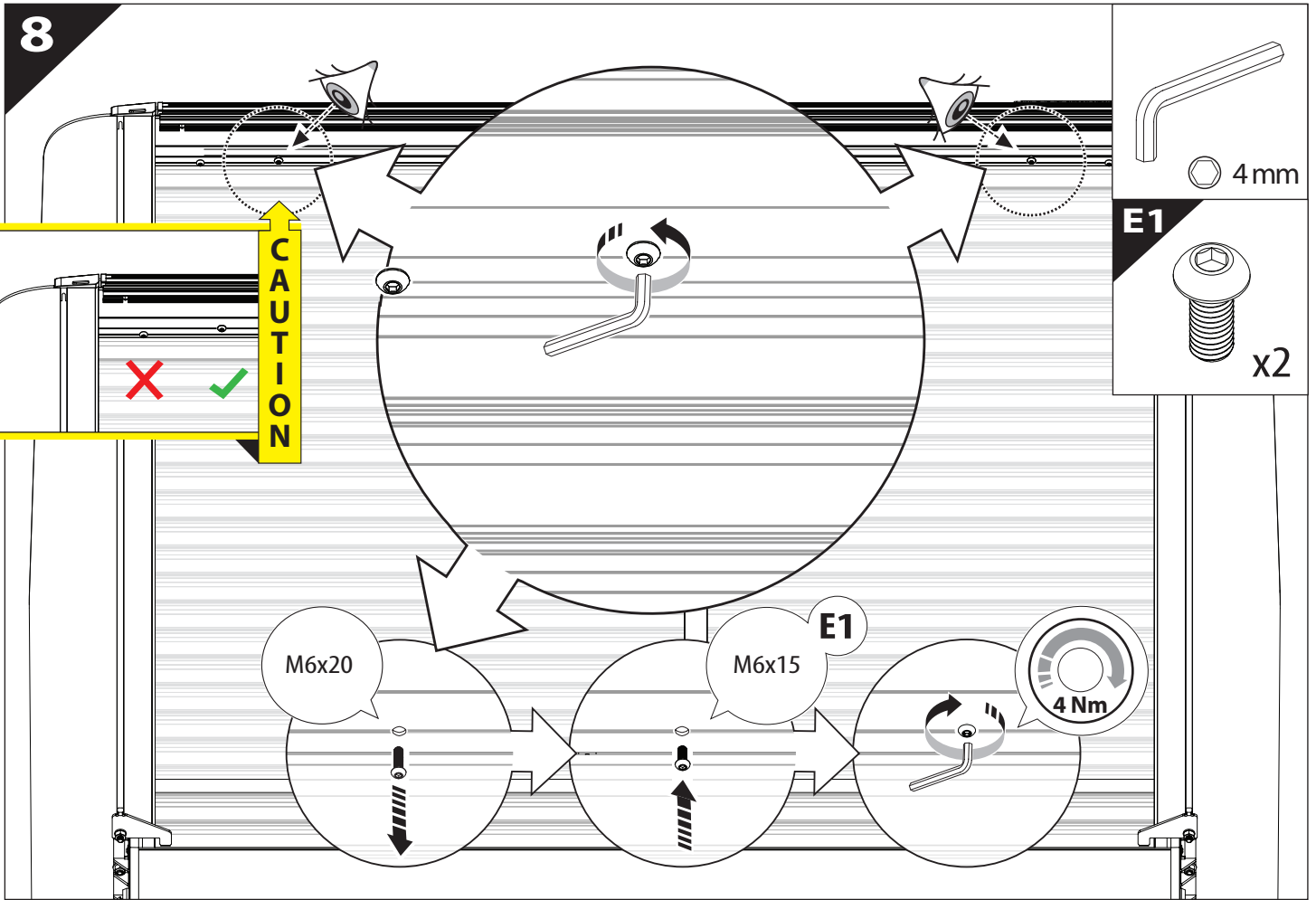
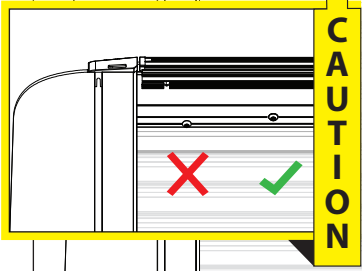


4





8



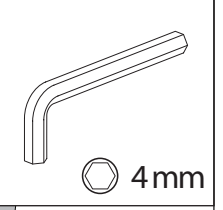
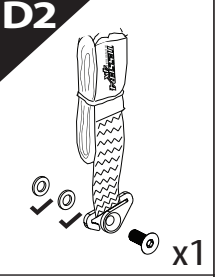
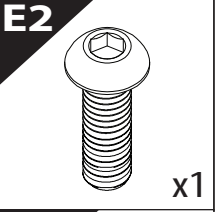
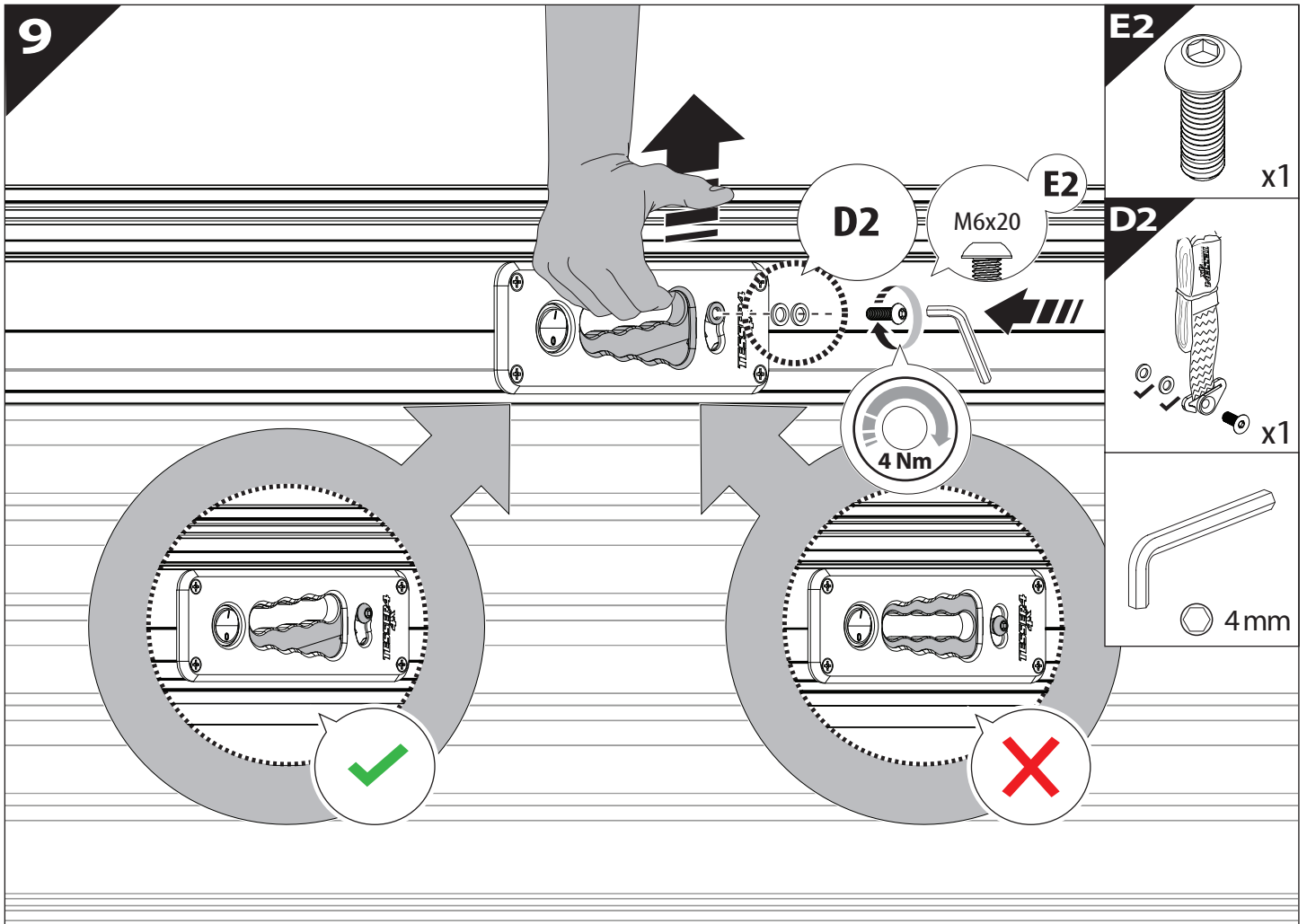
M6x20

M6x15

E1

4 Nm

9



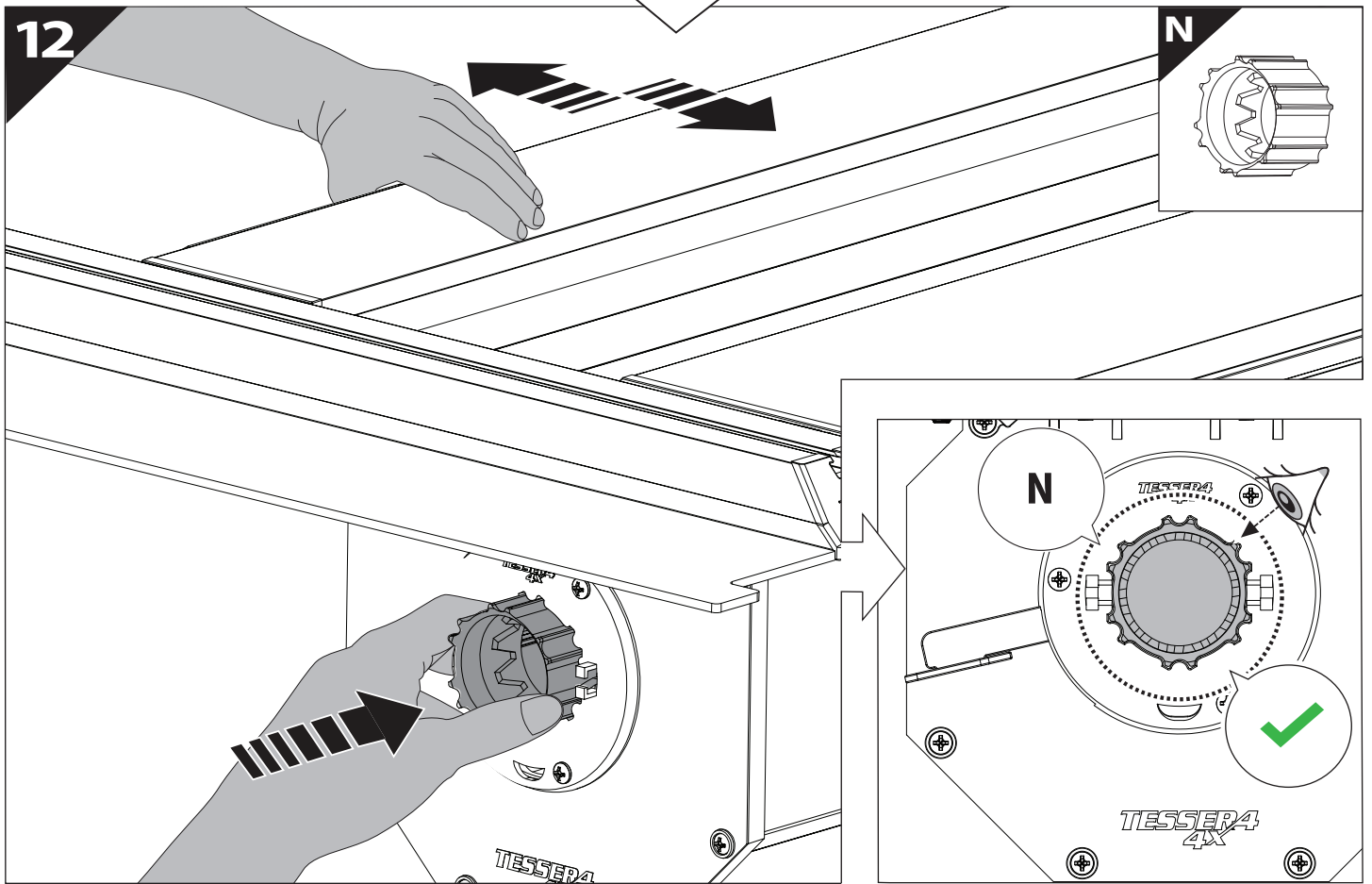
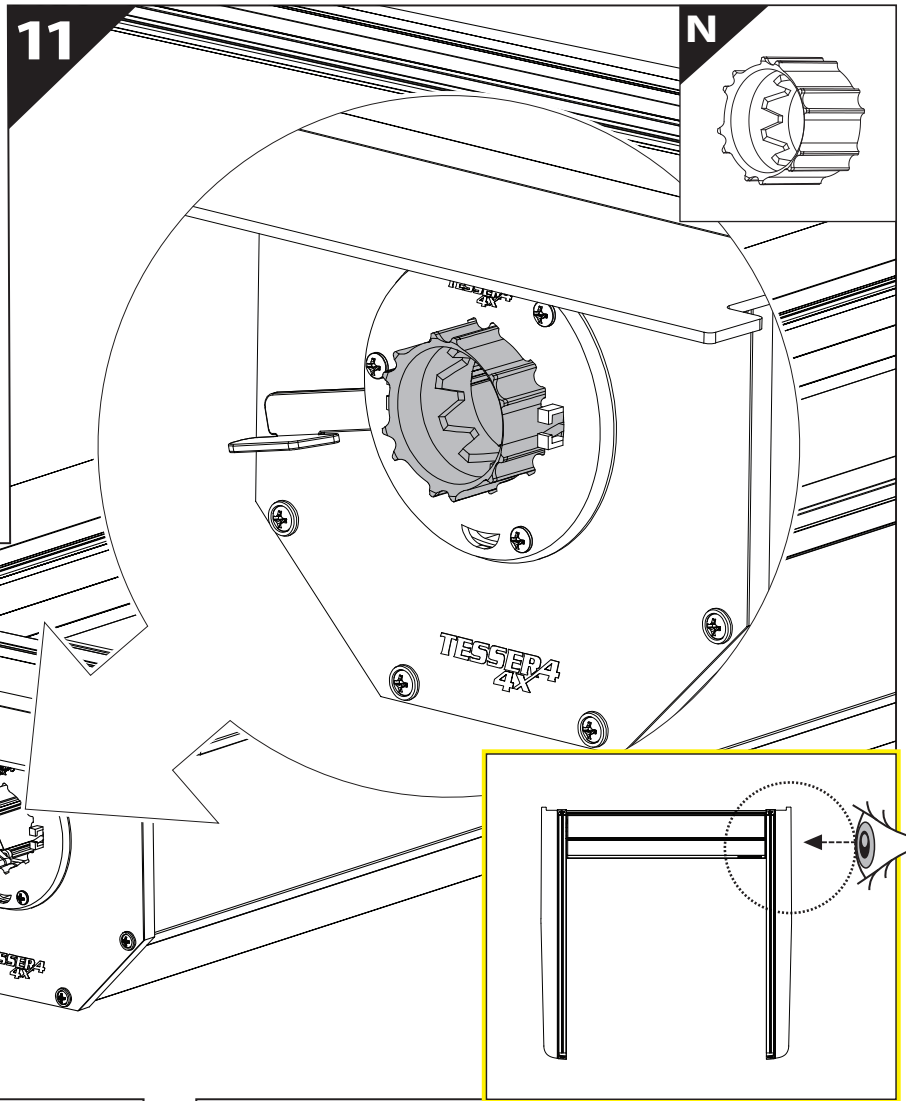
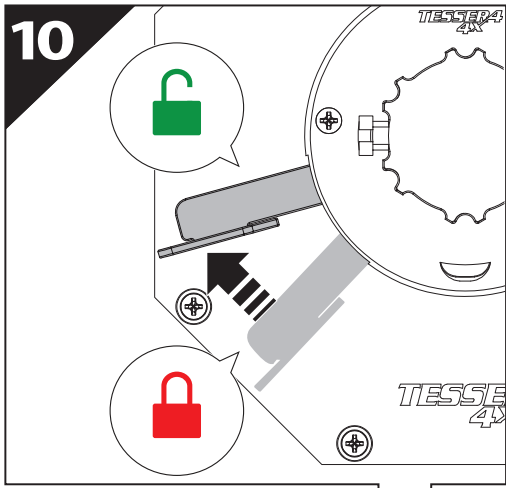
D2

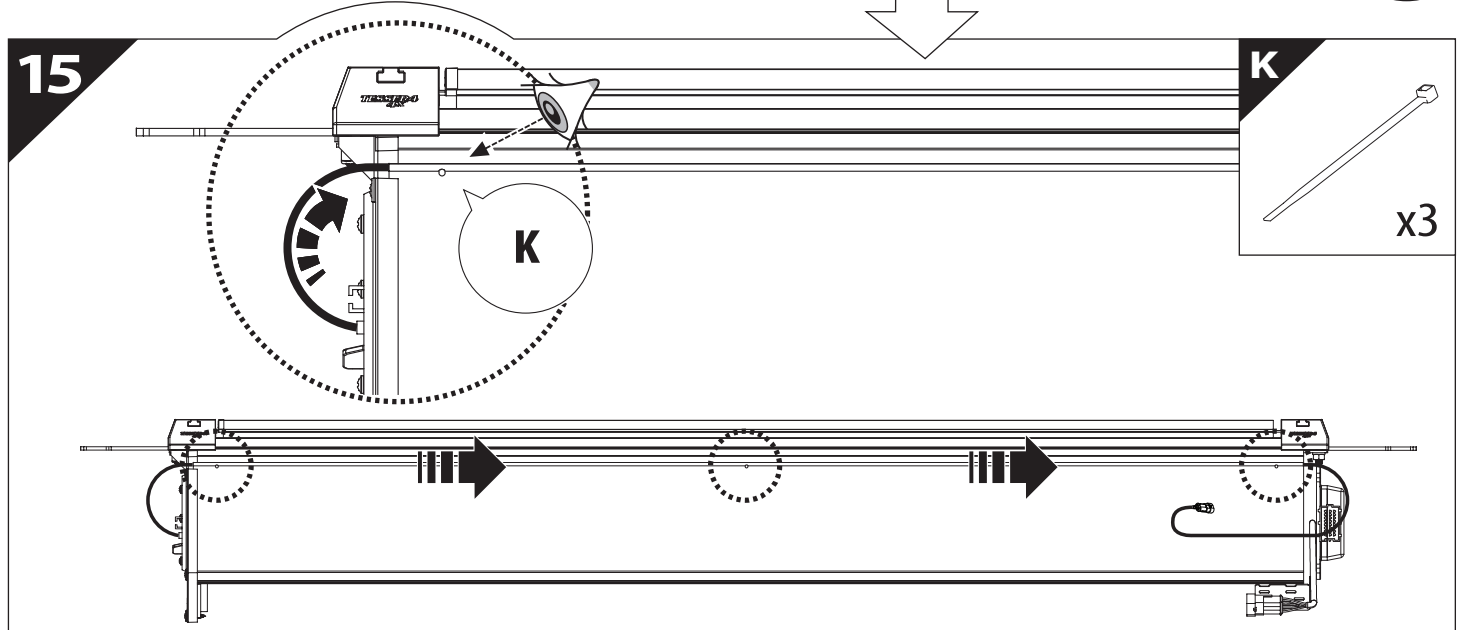
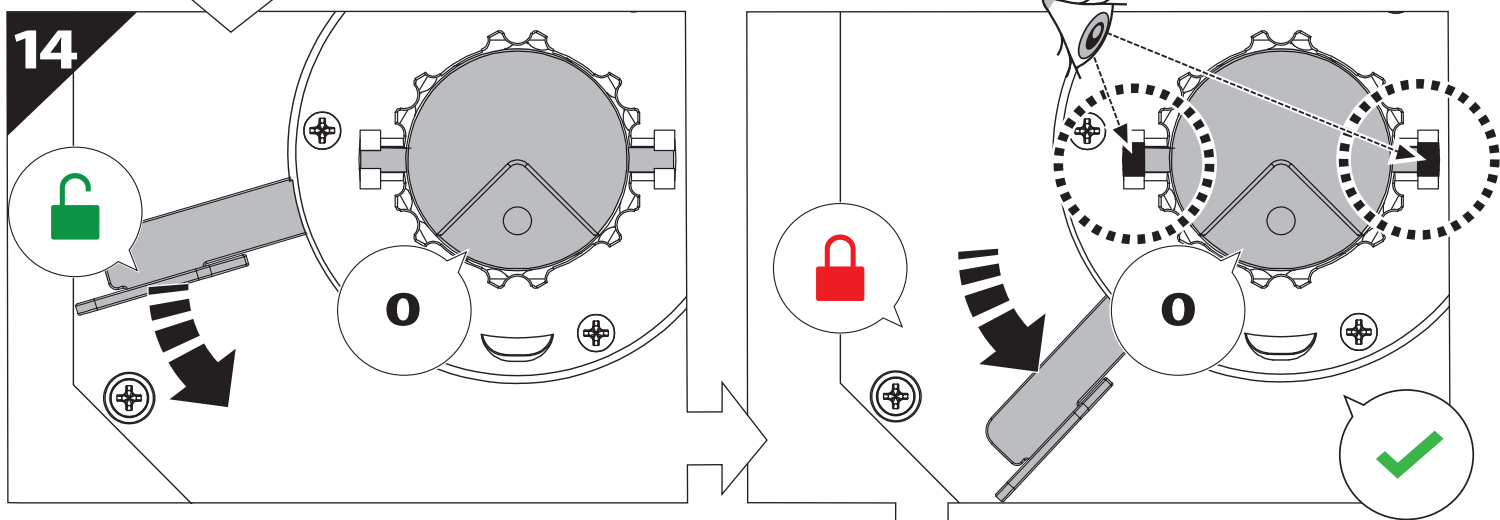
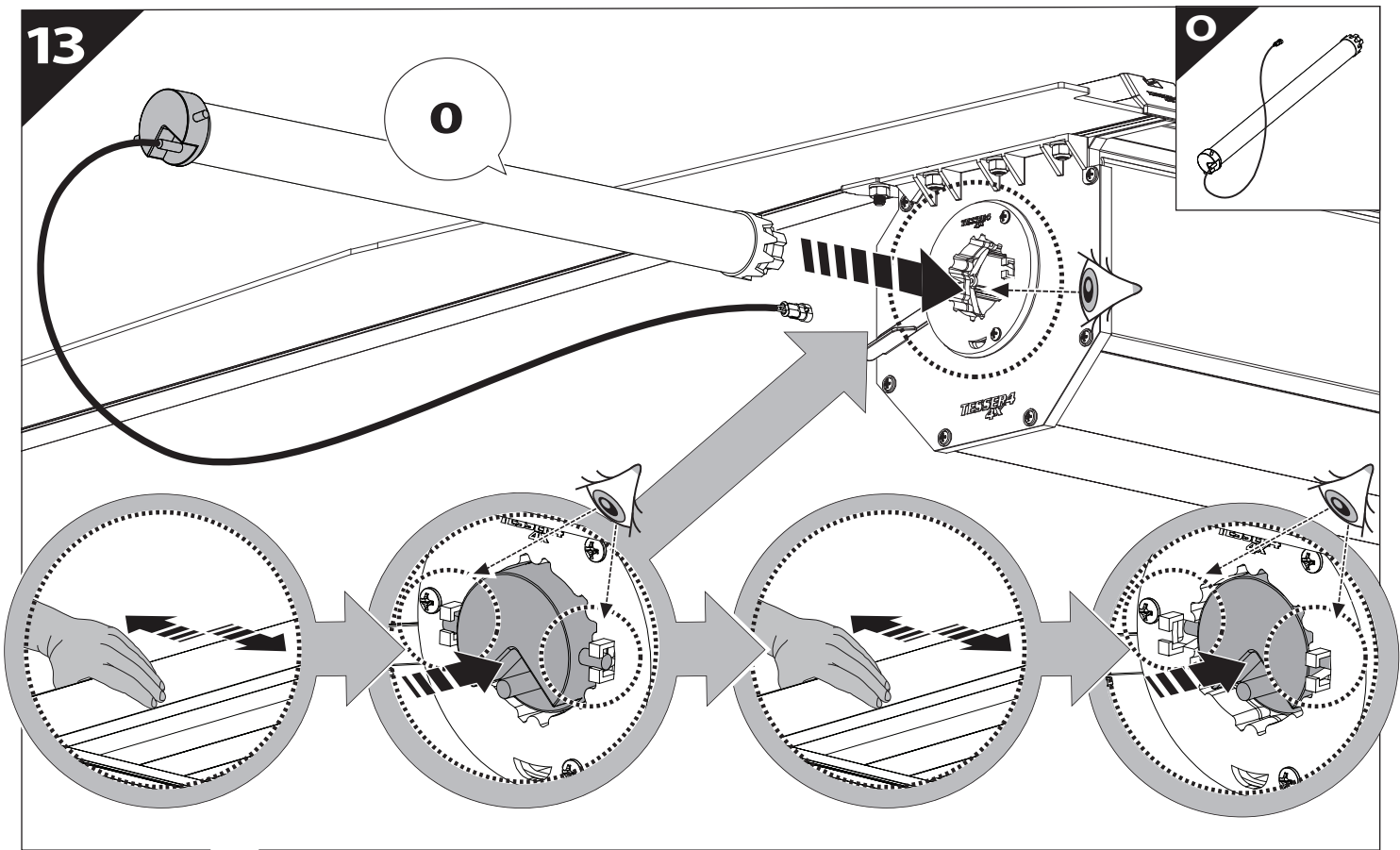
M6x20

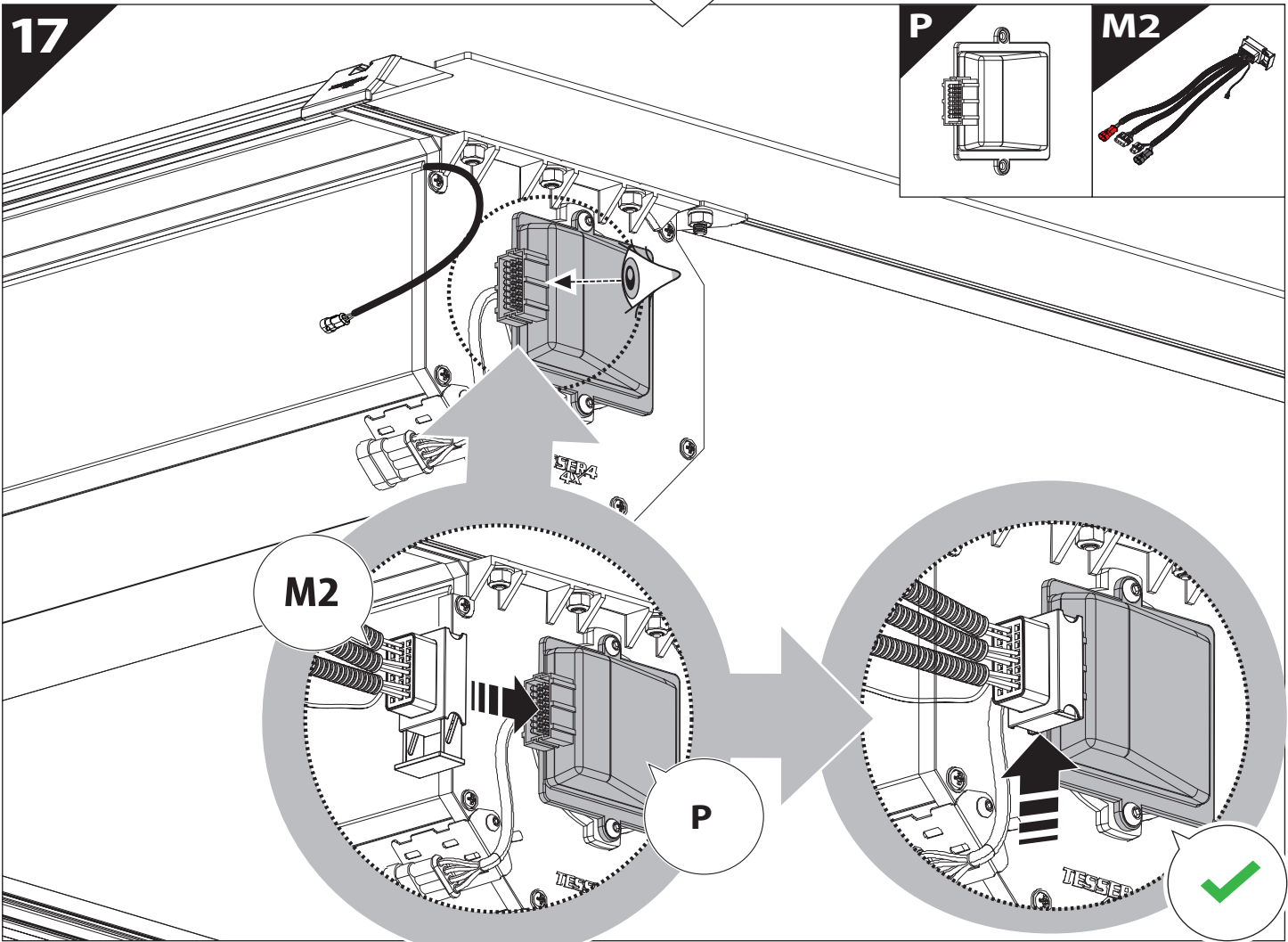
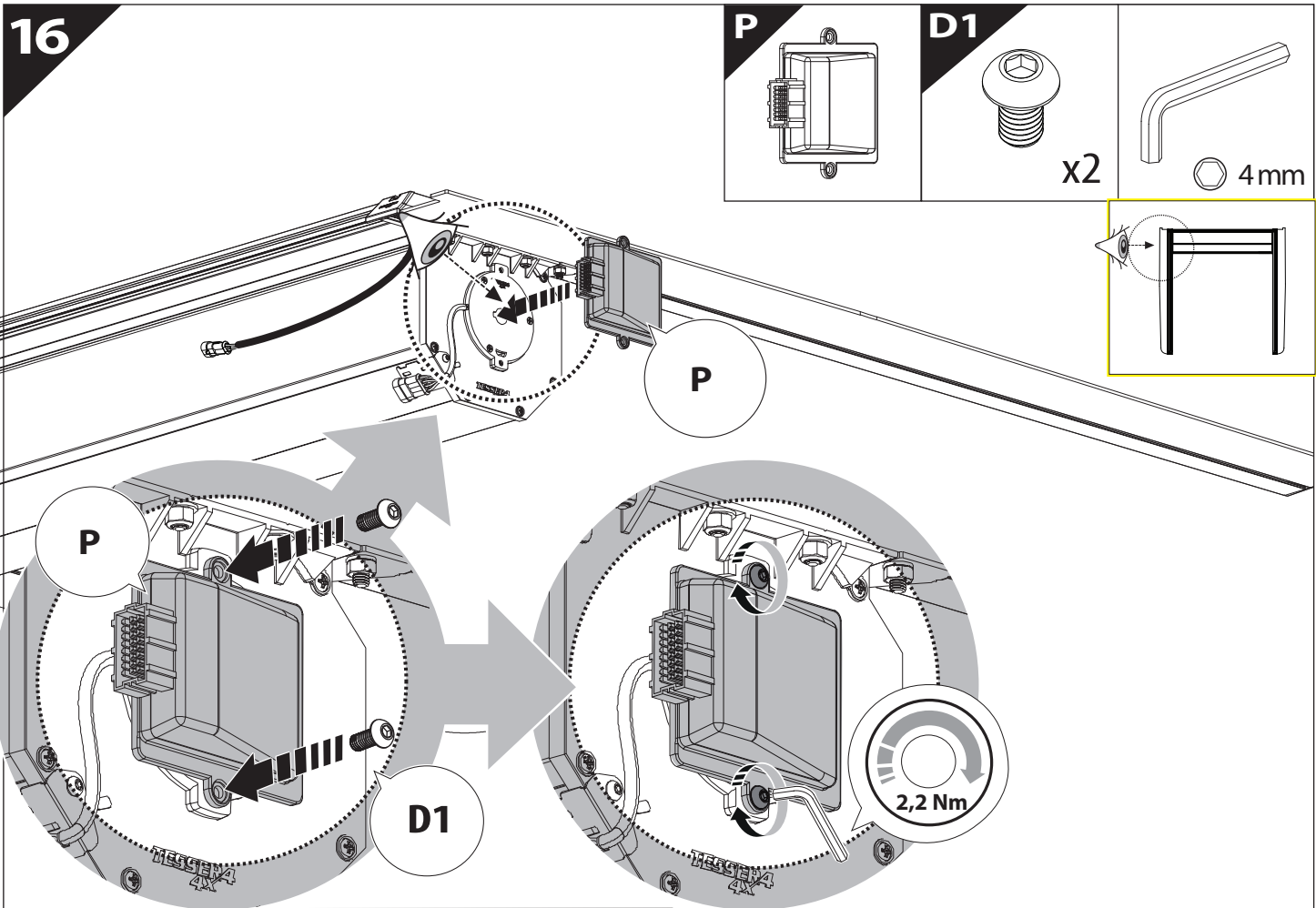
E2

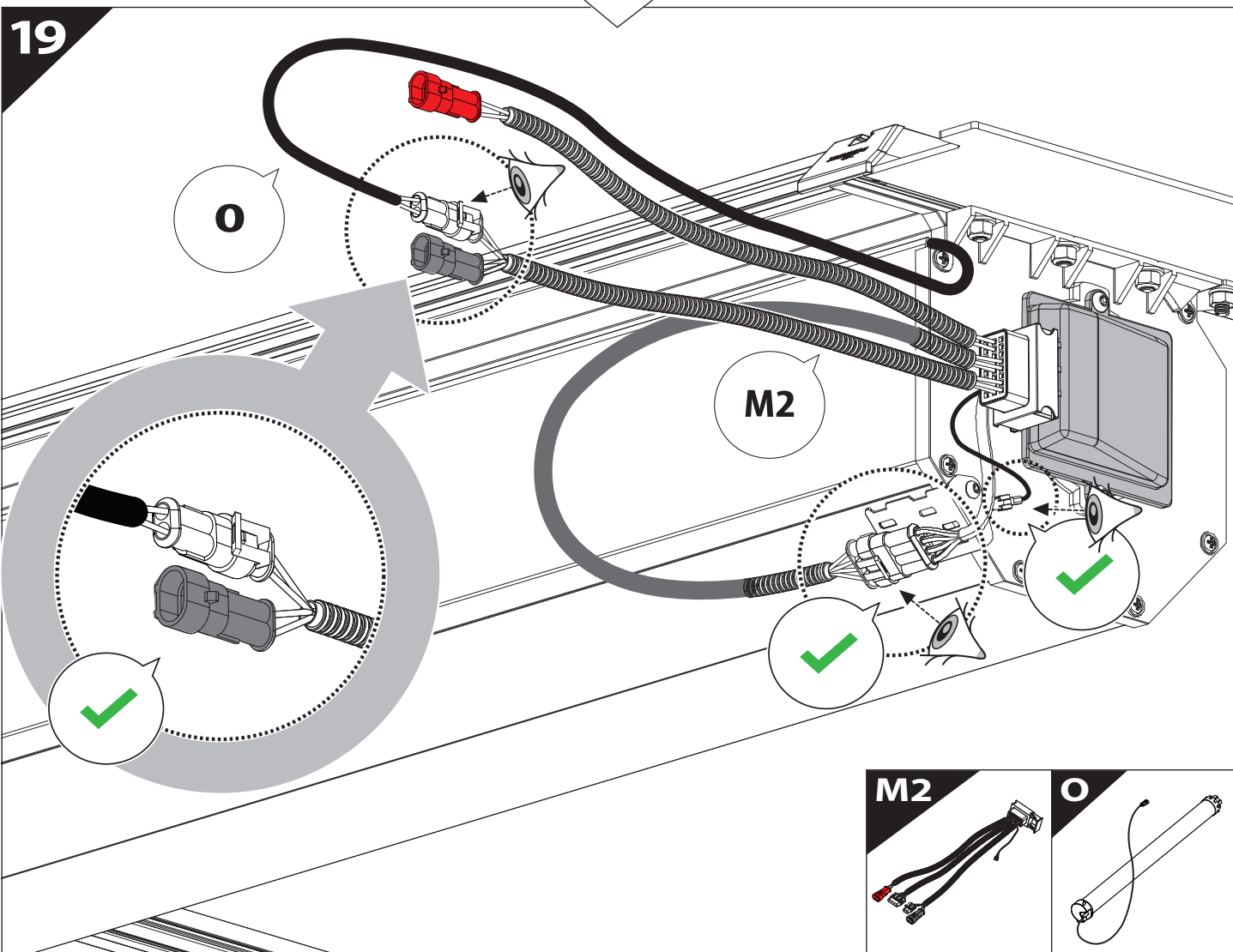
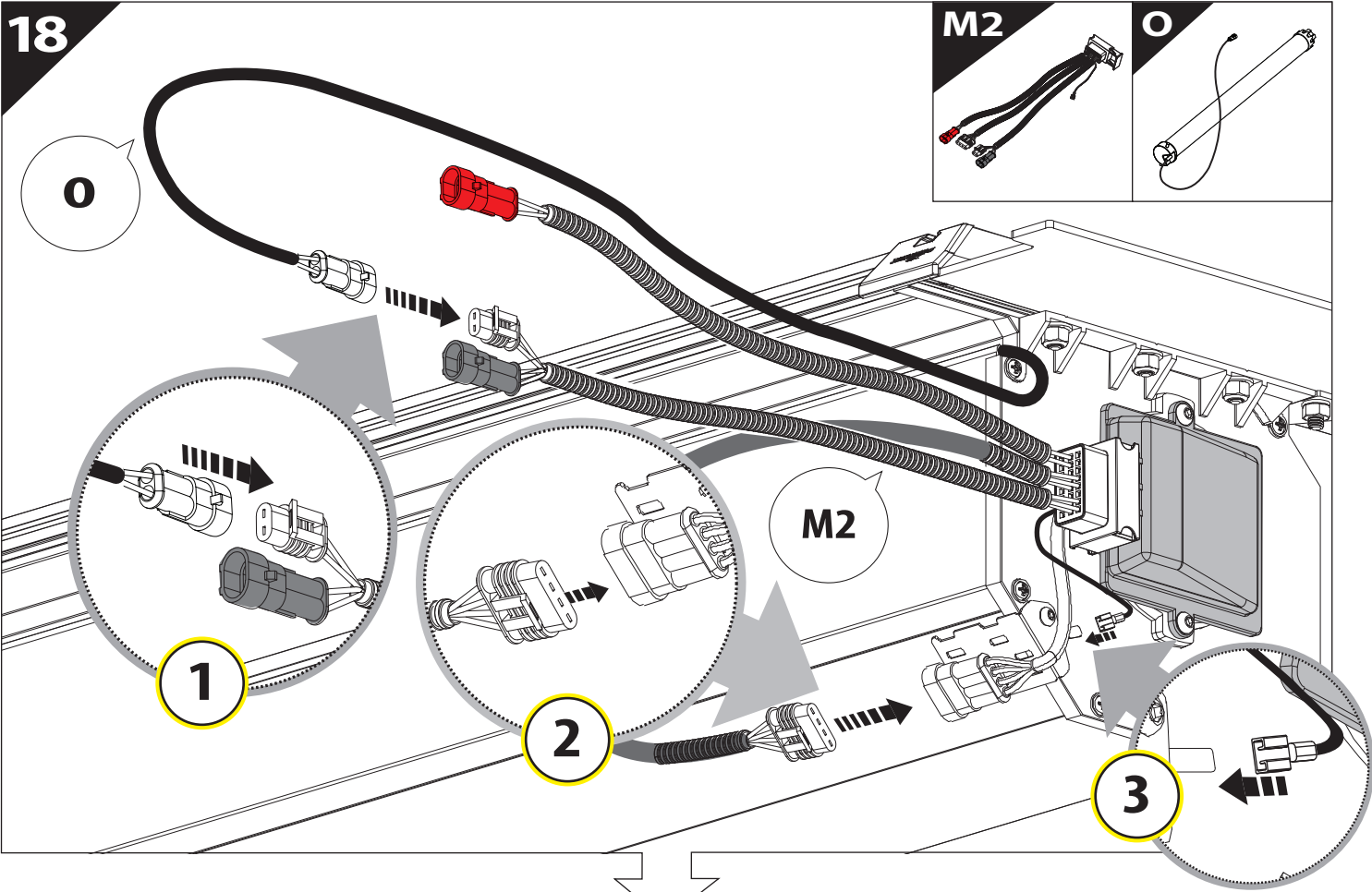
4 Nm







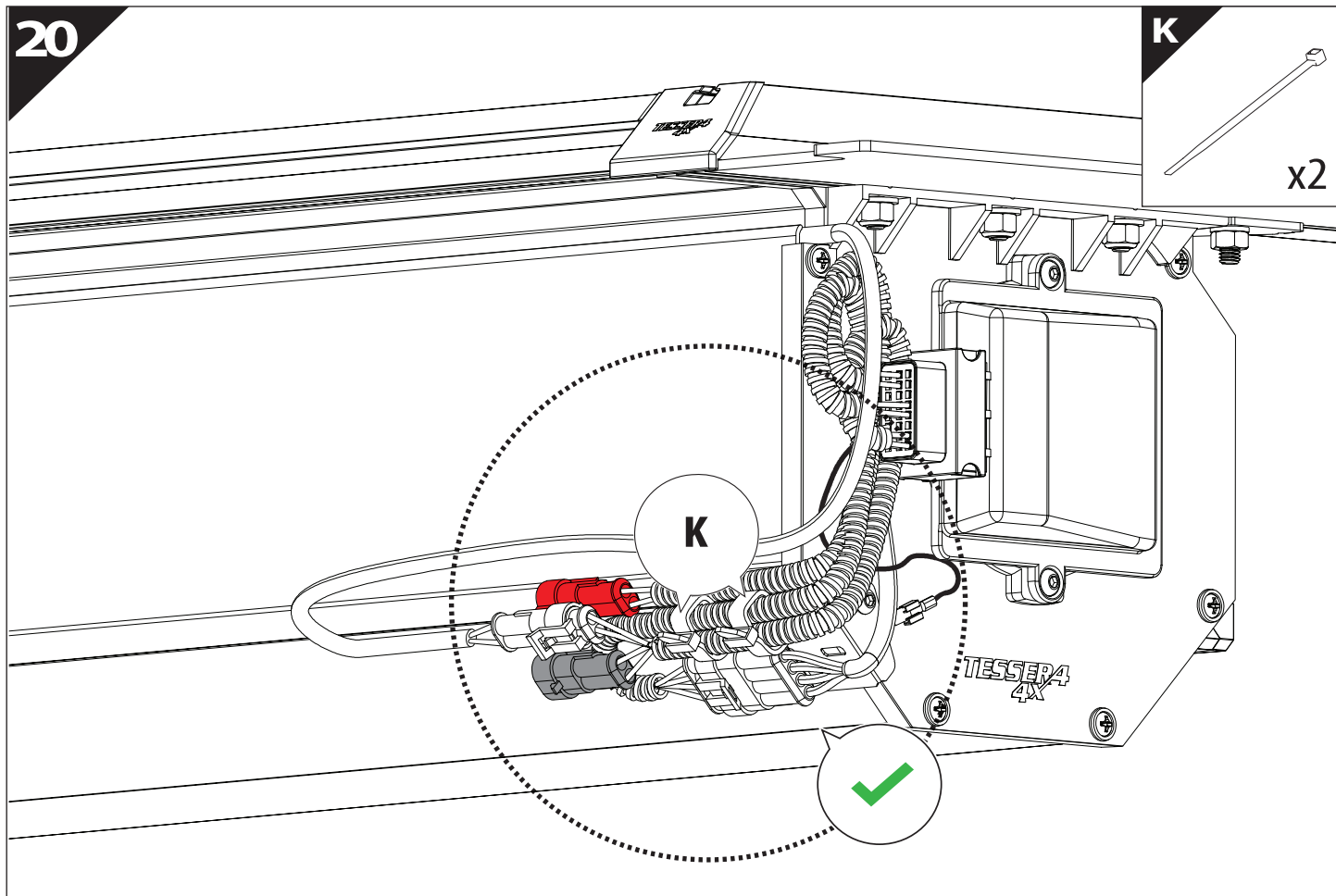




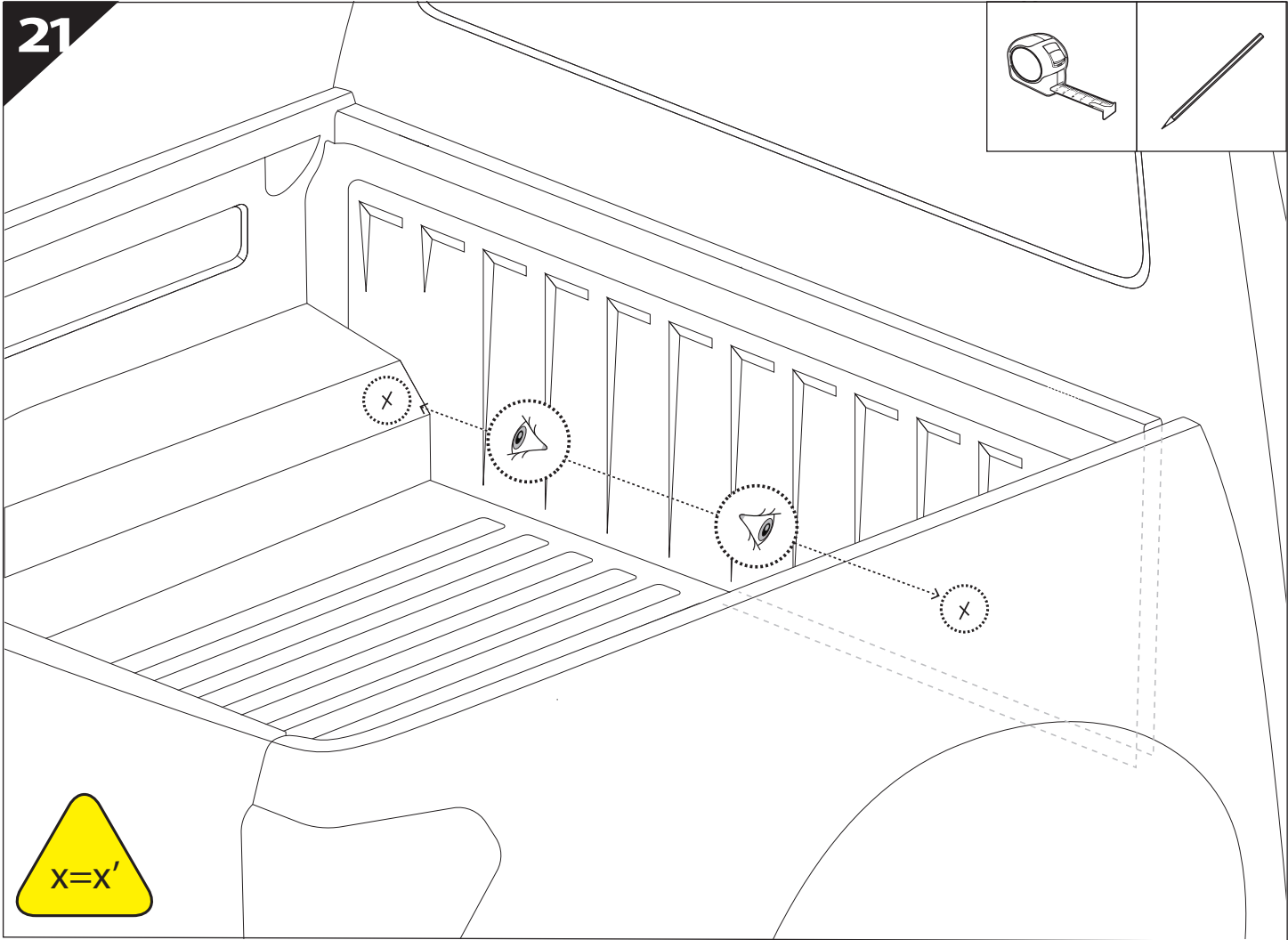
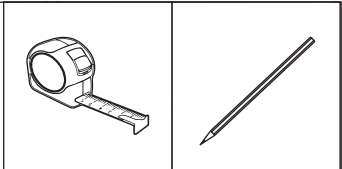
20

K

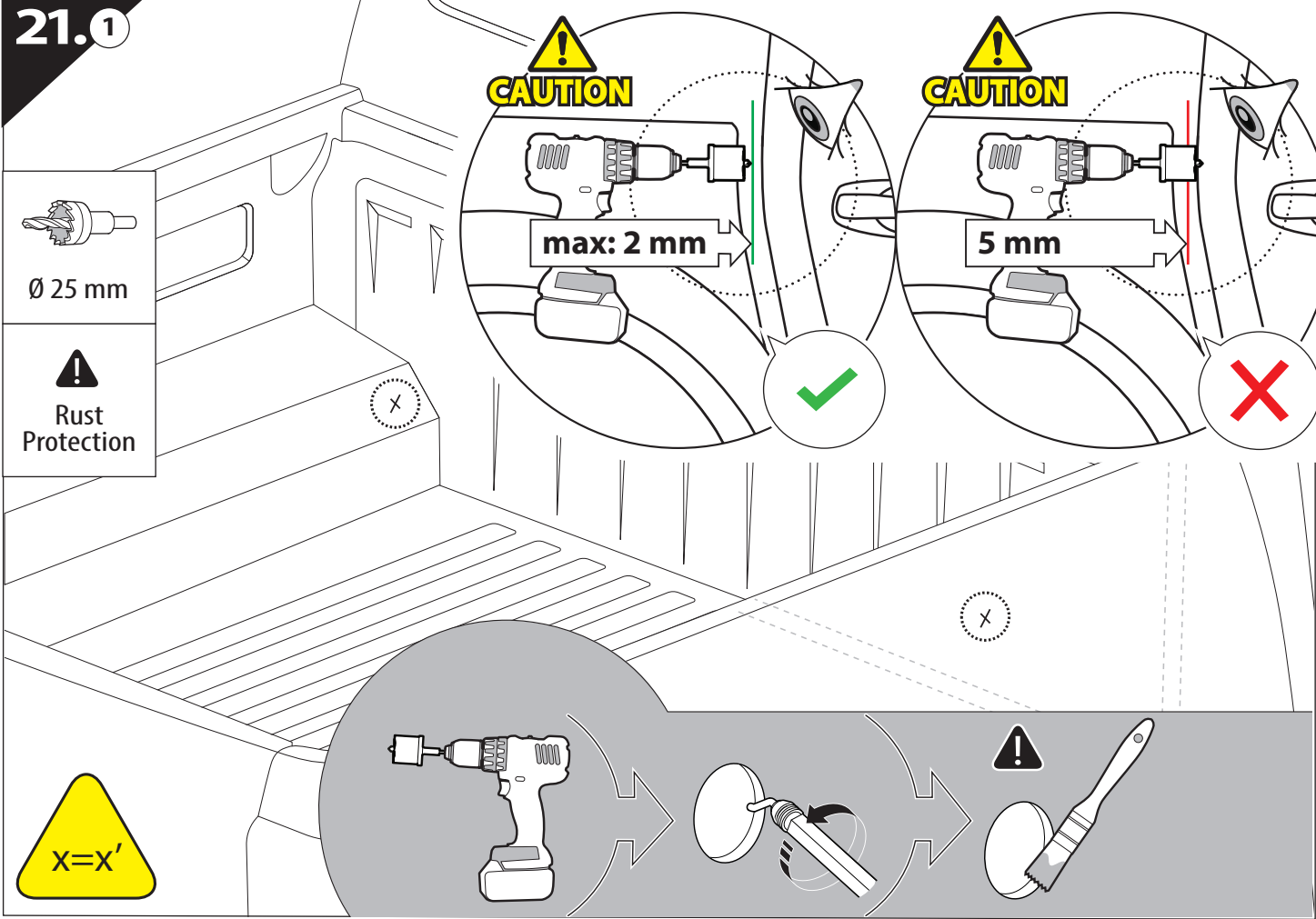
x2

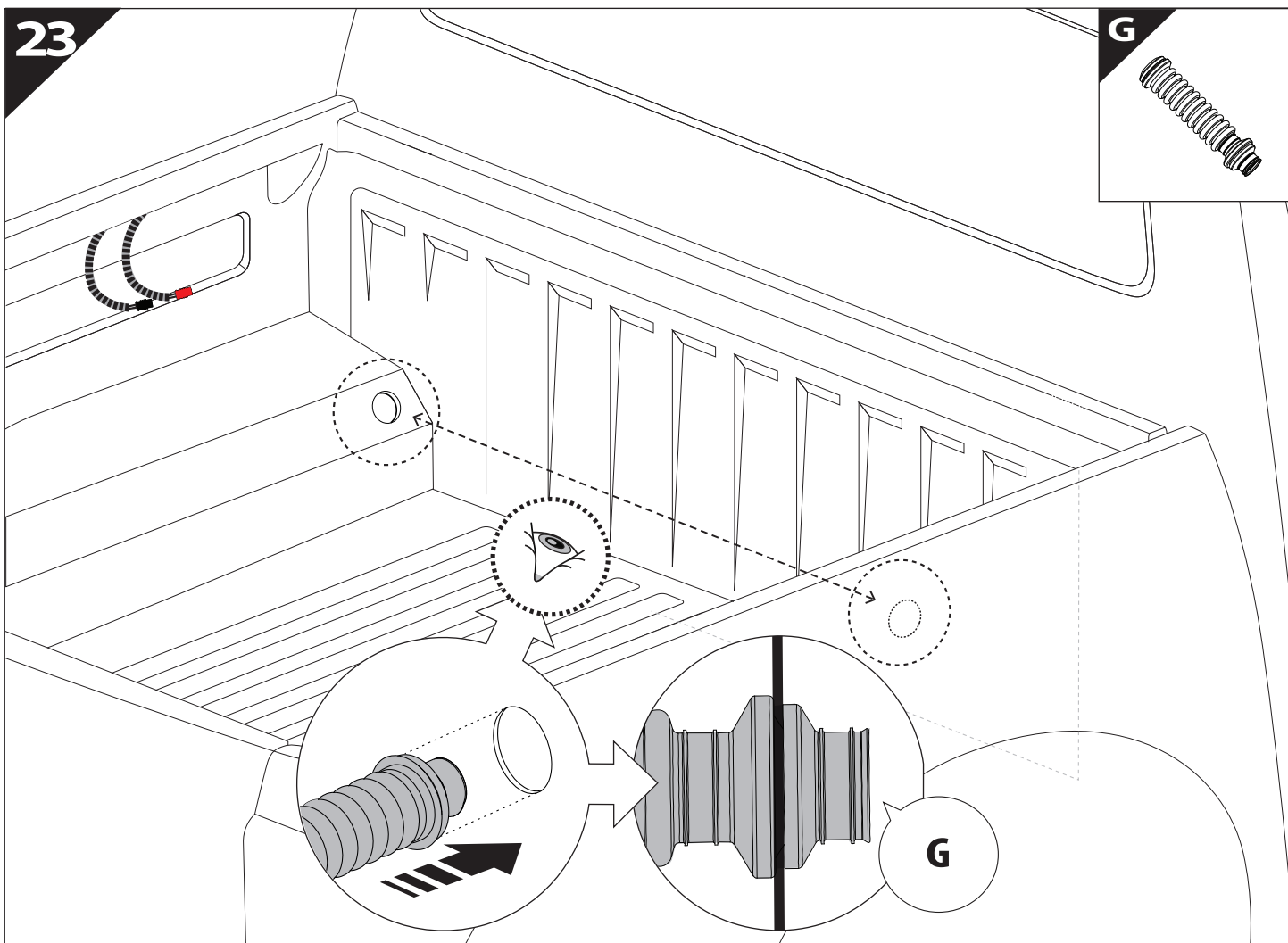
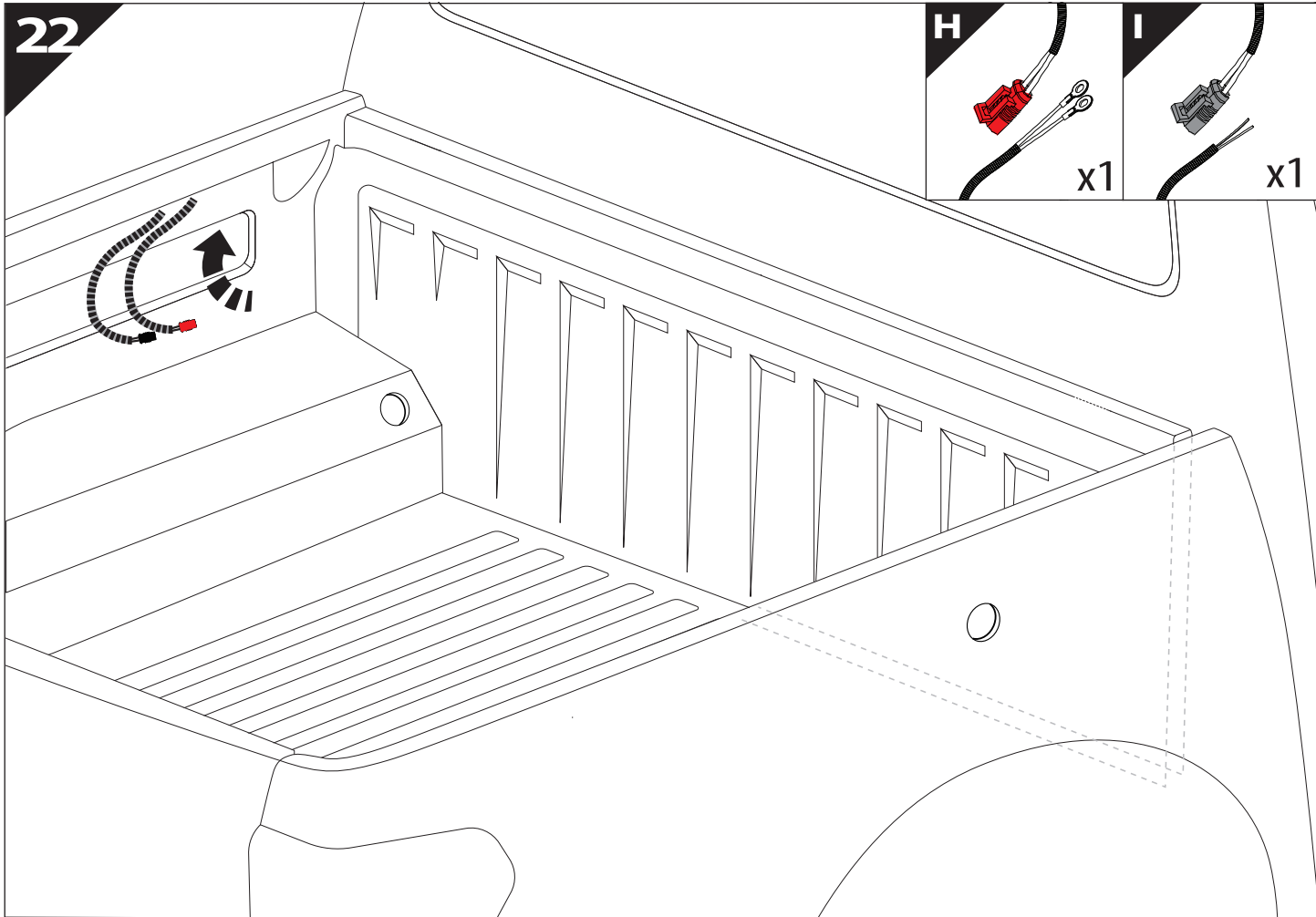


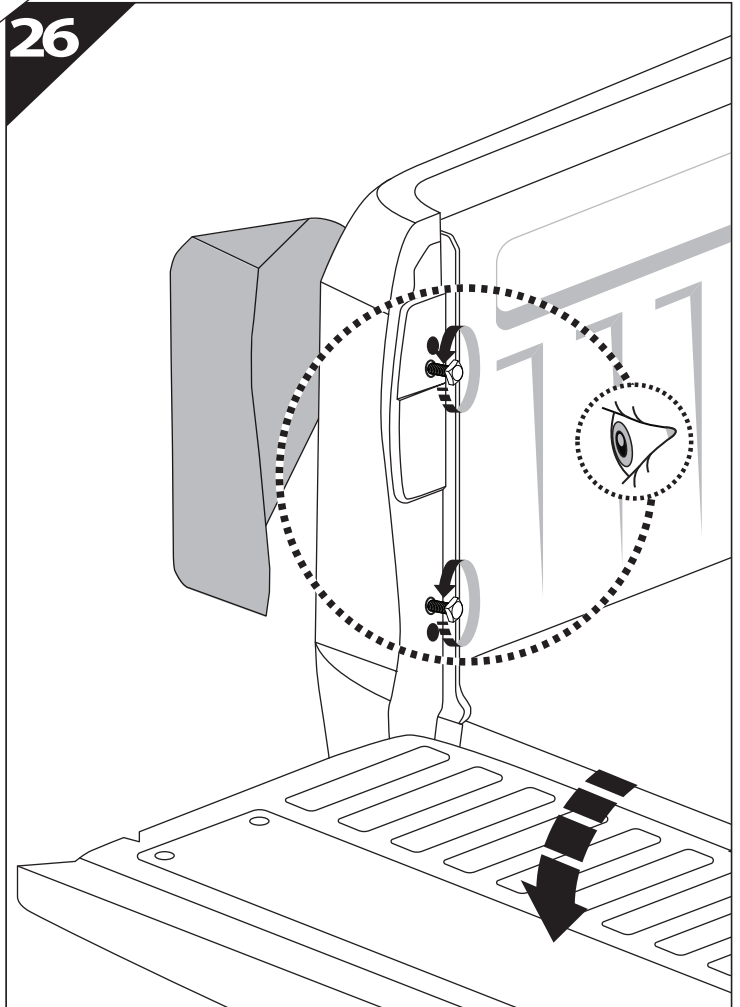
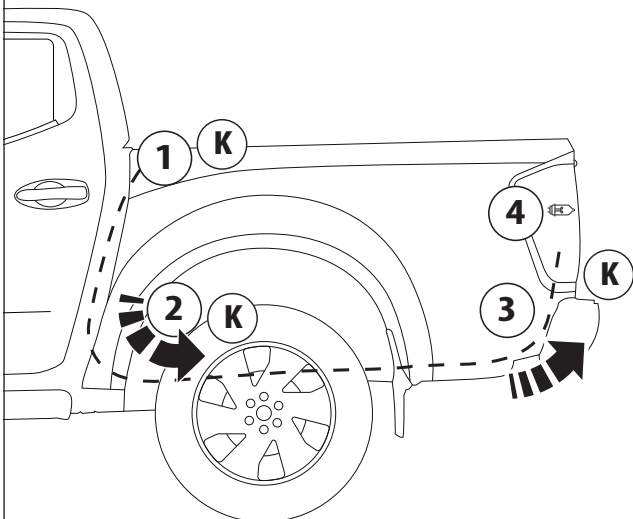
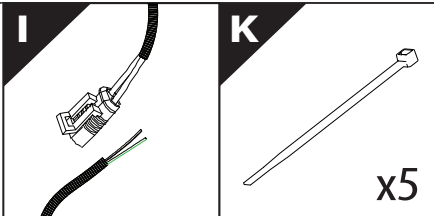
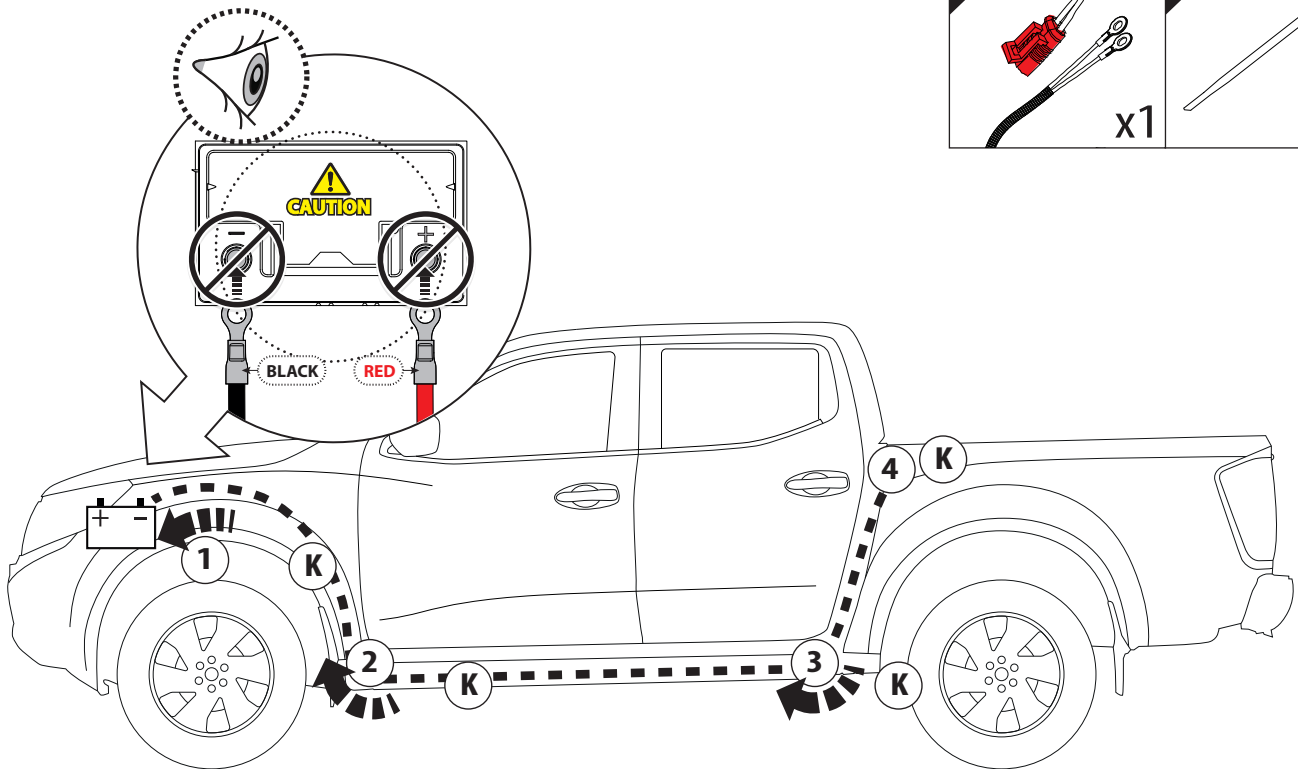
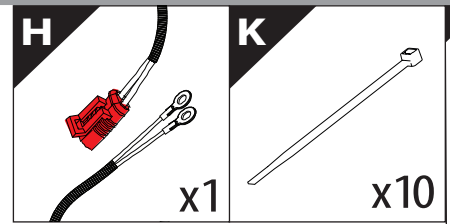
21

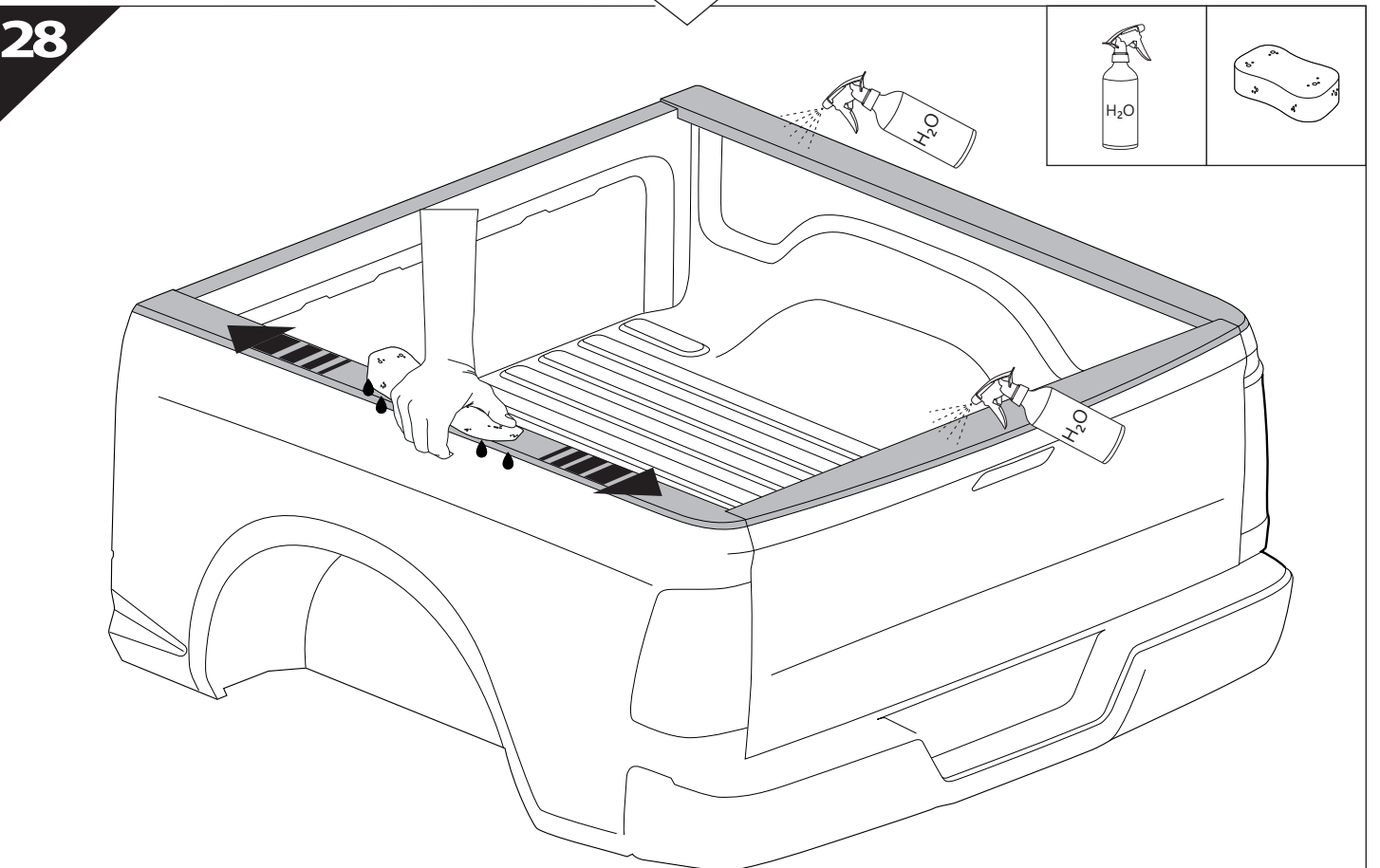
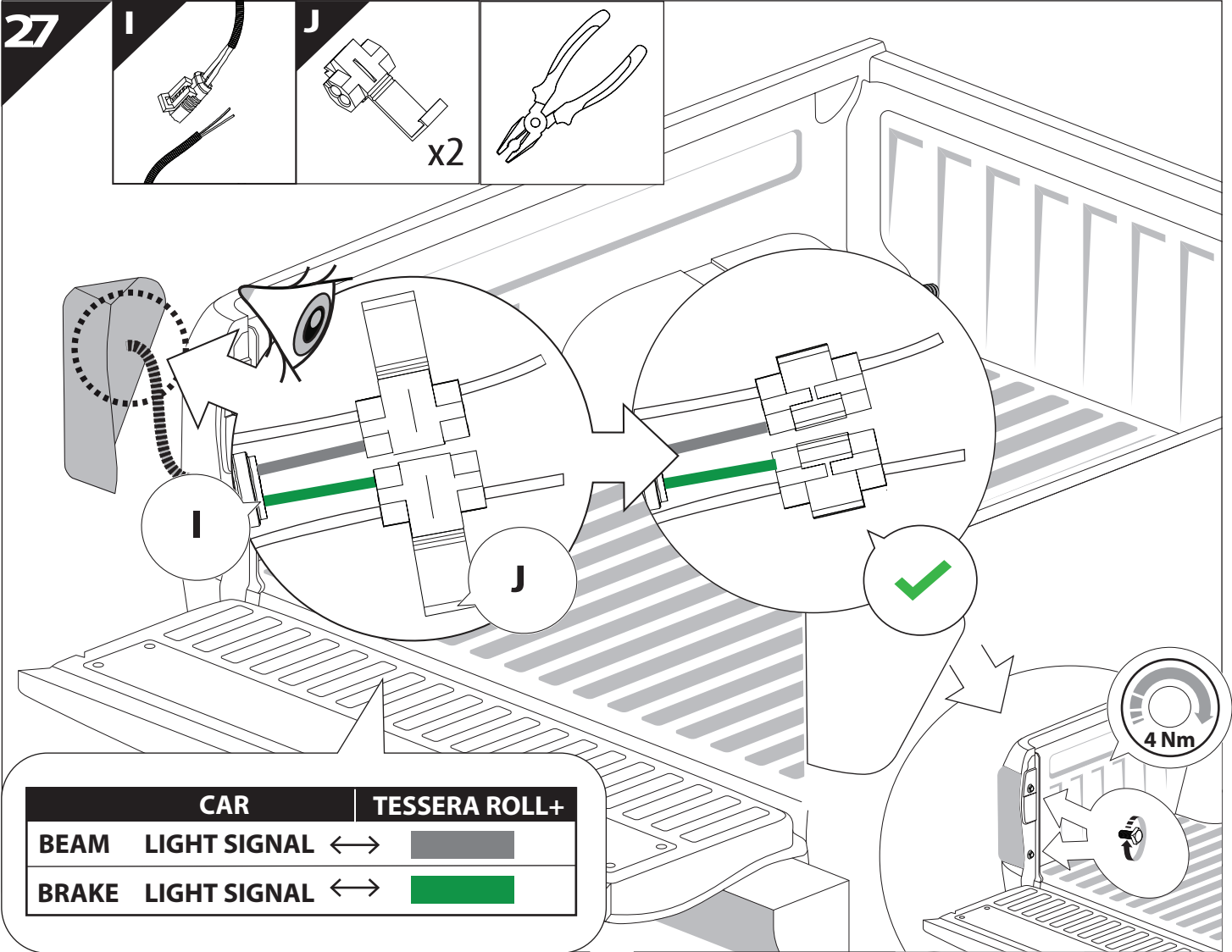


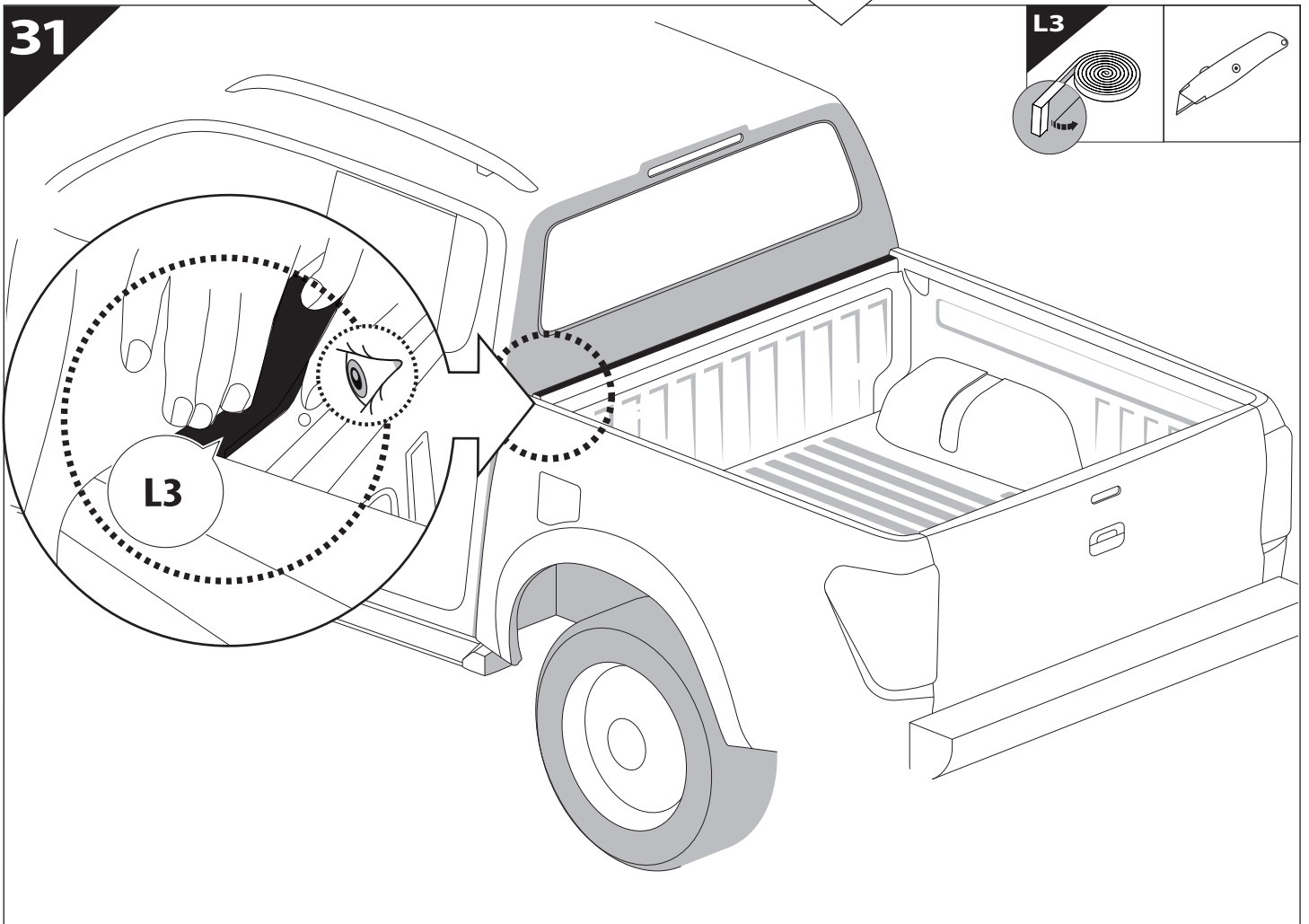
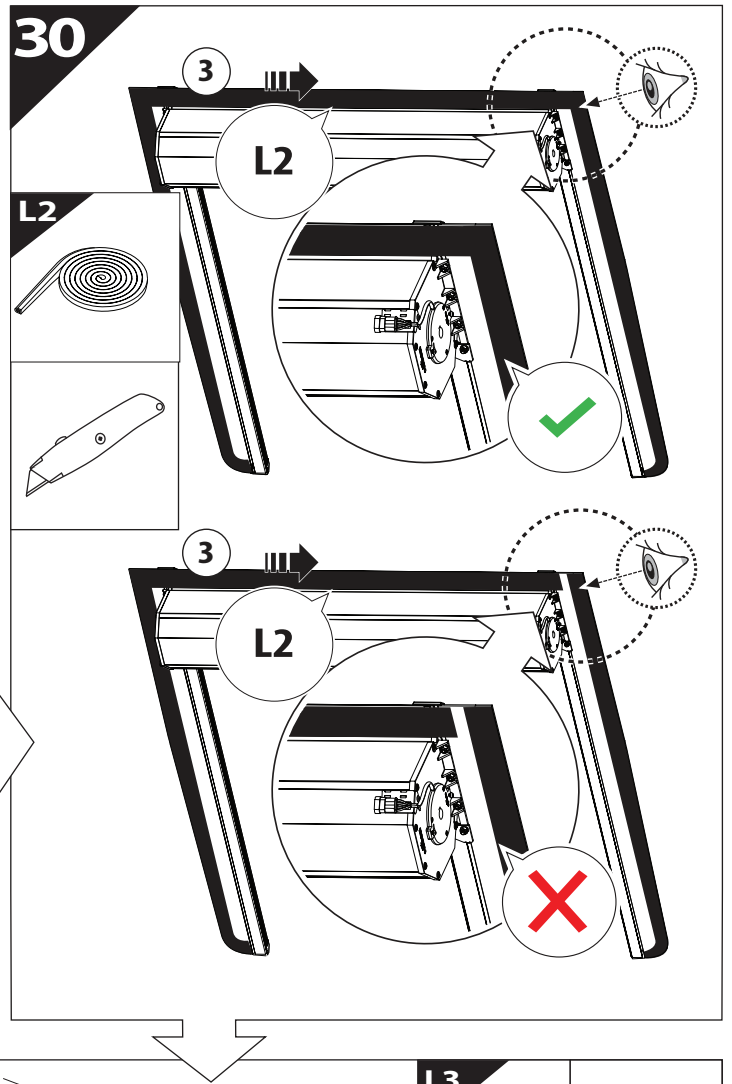
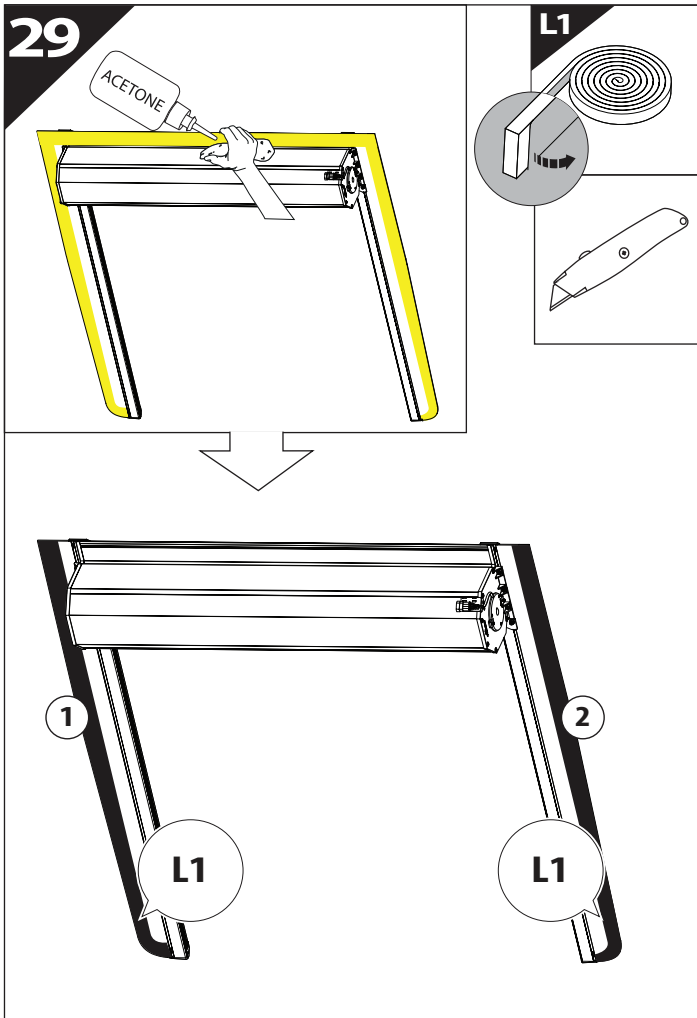
21.0

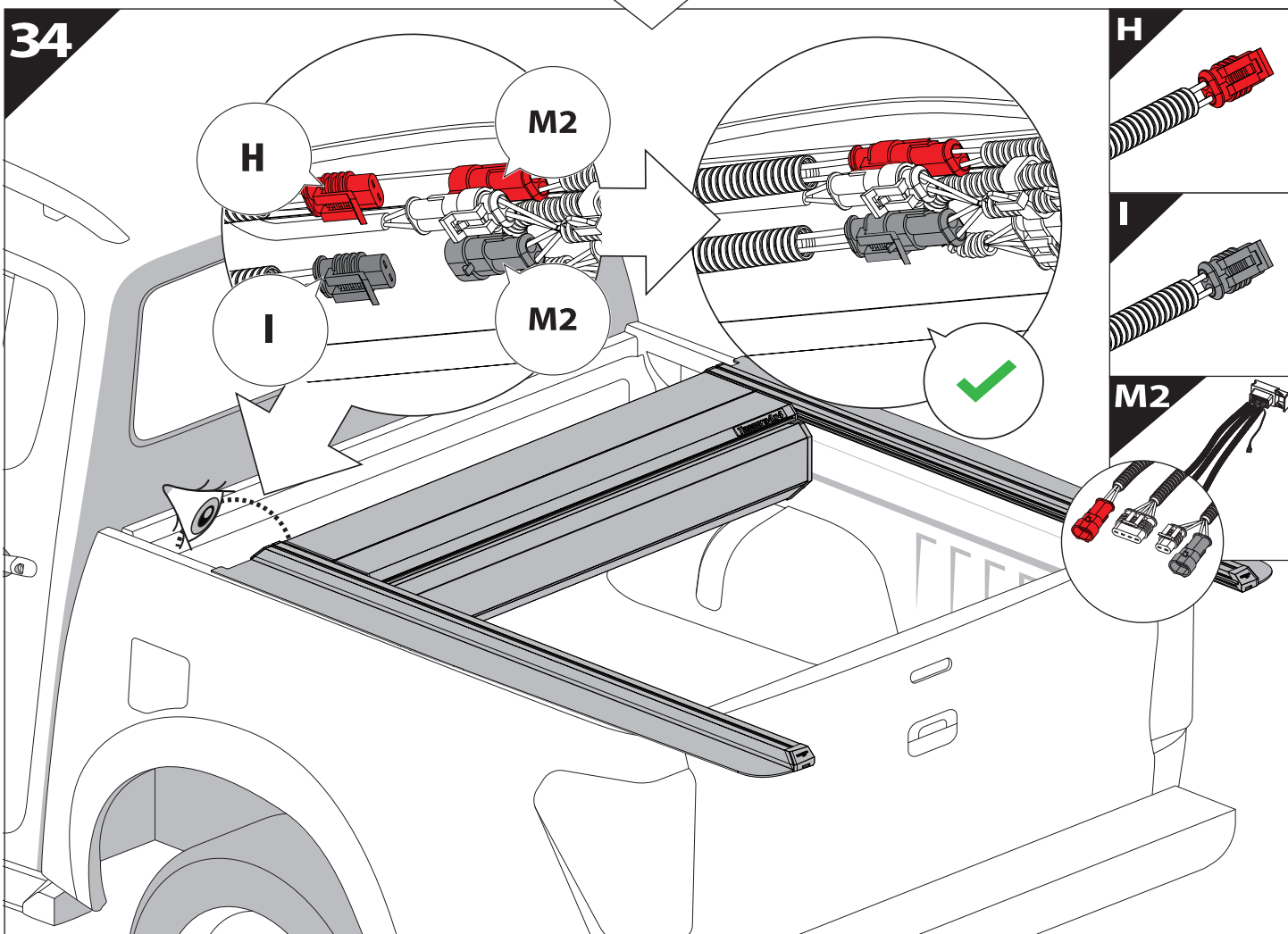
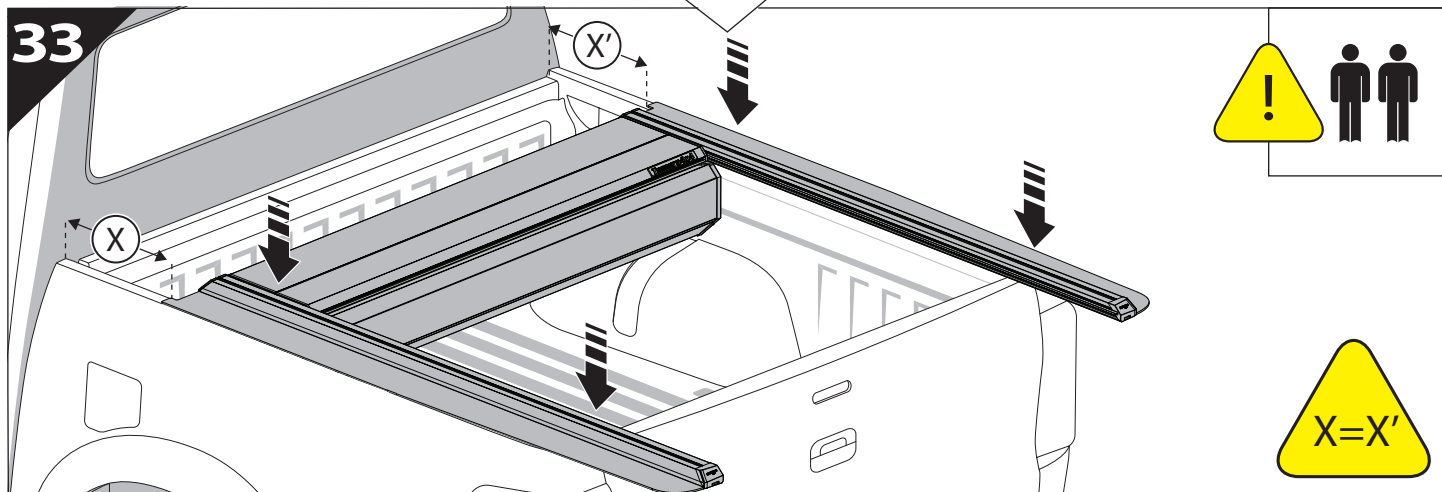
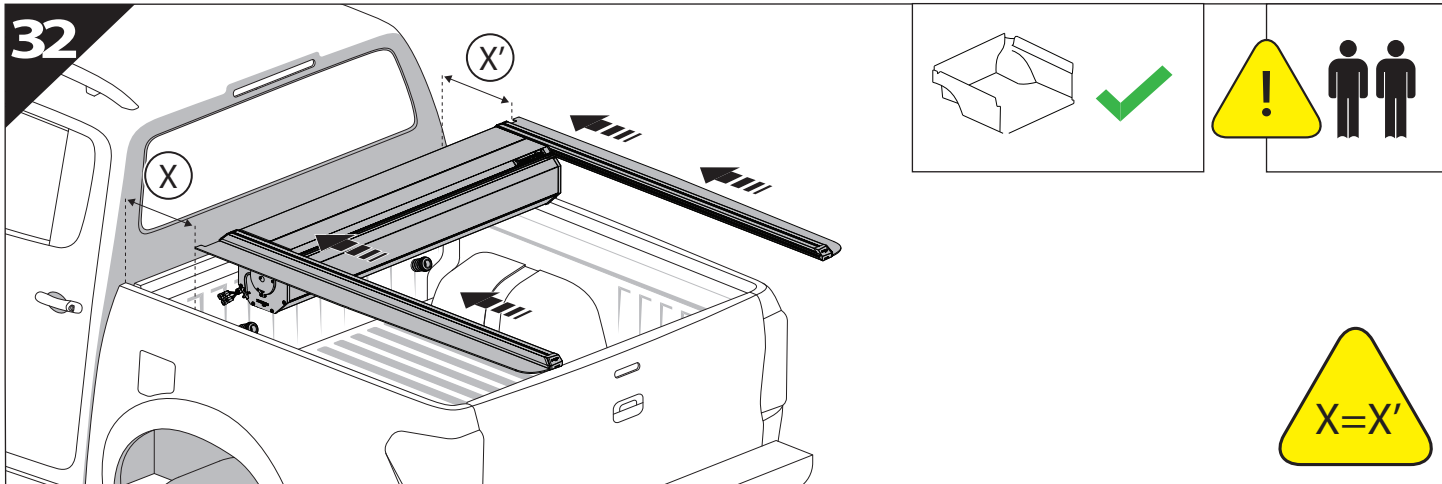






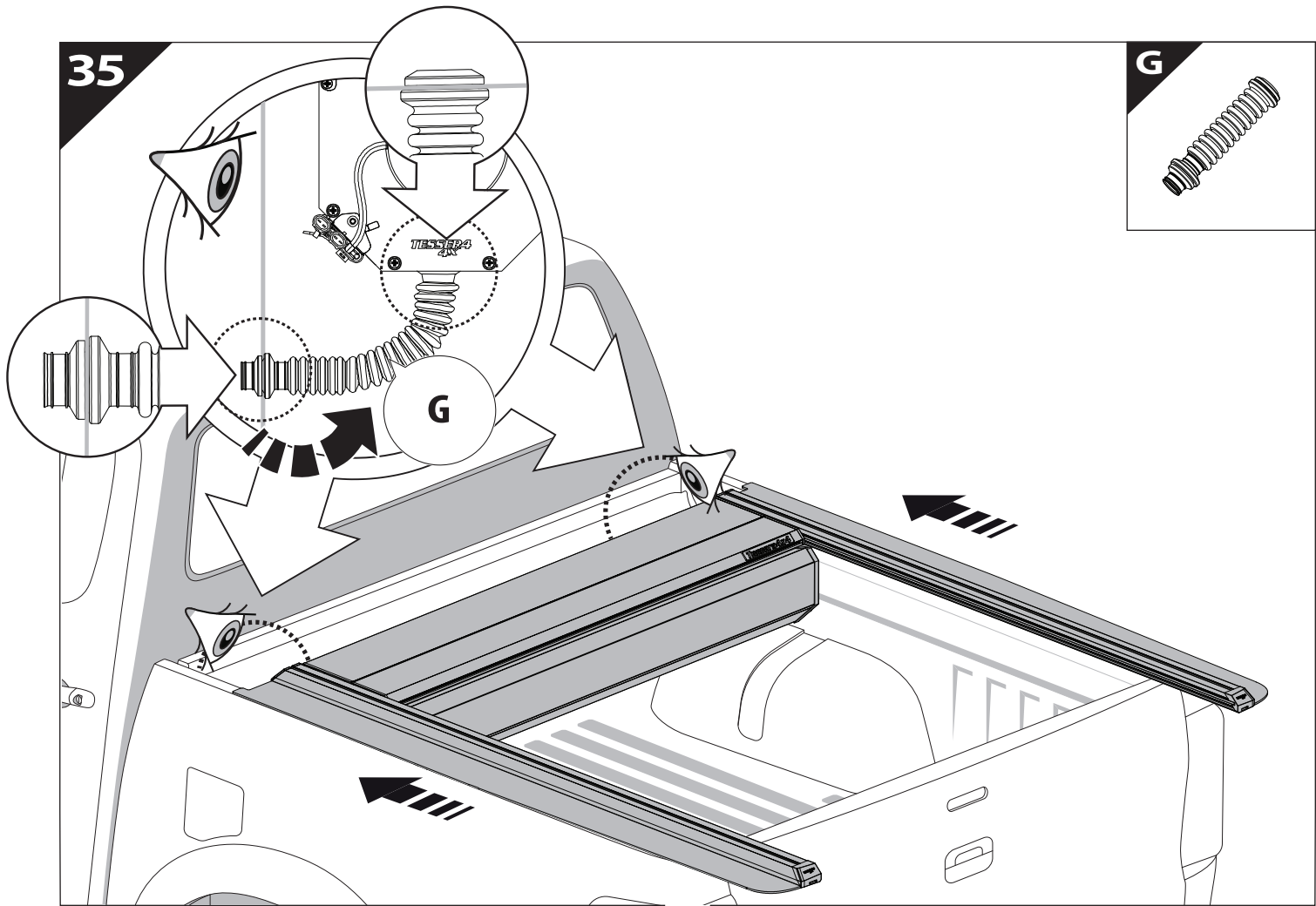




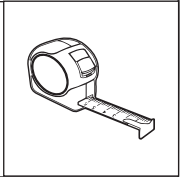
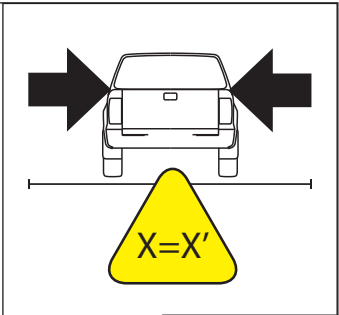
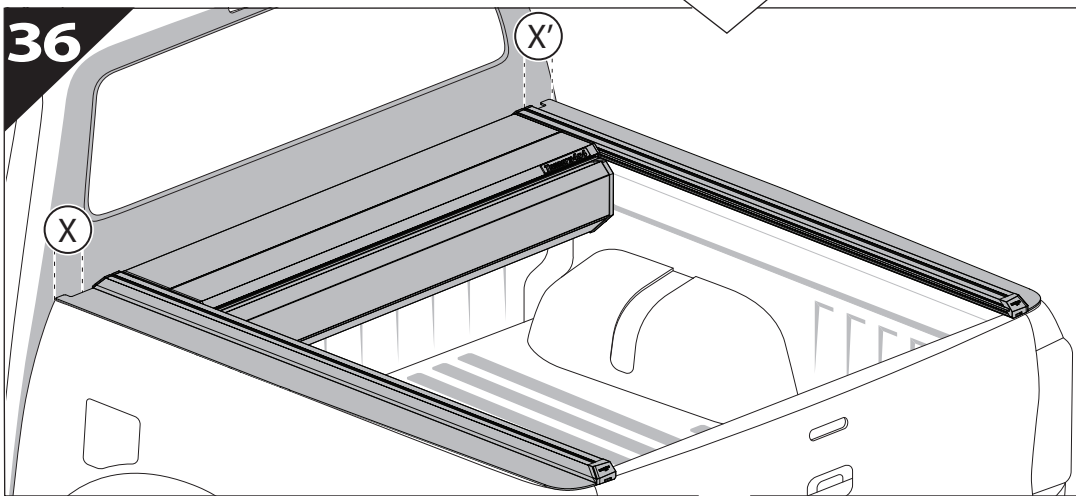


35

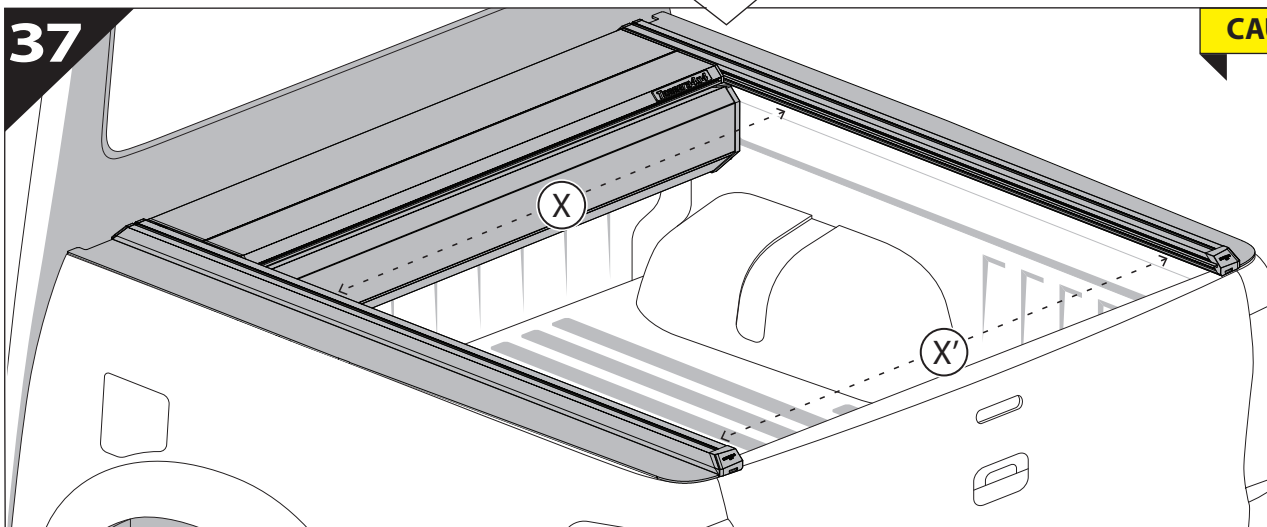
G



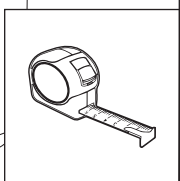
36

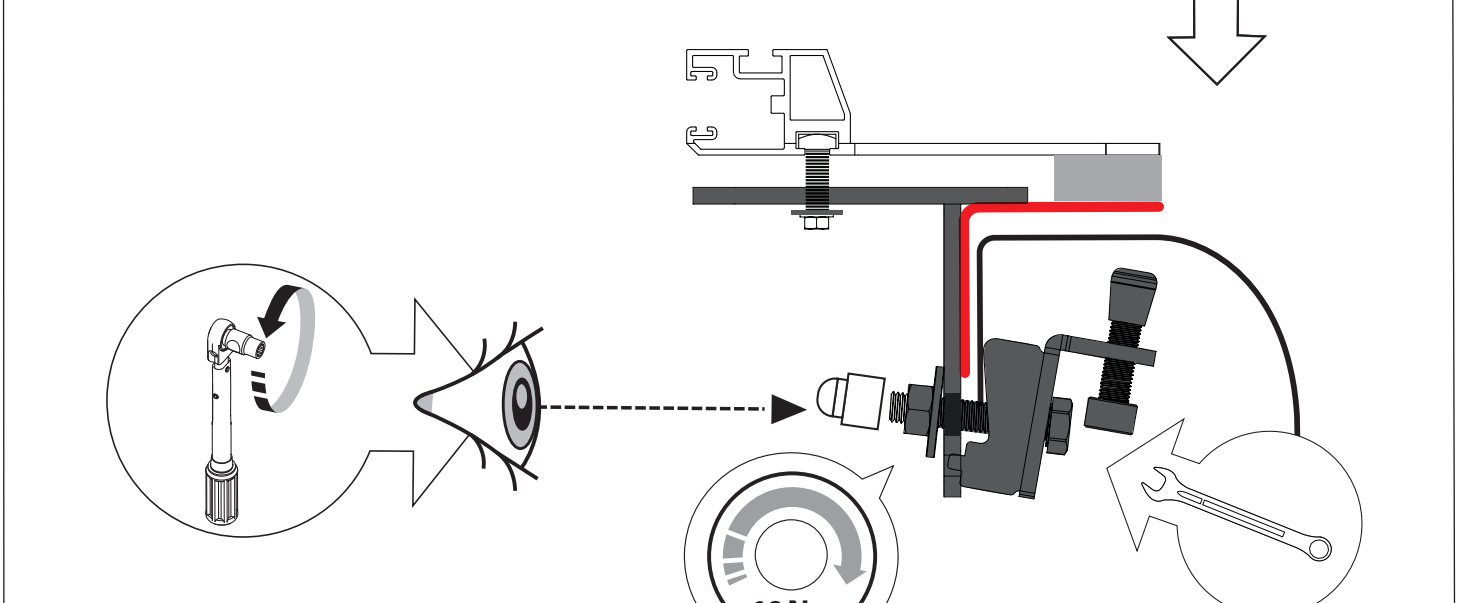
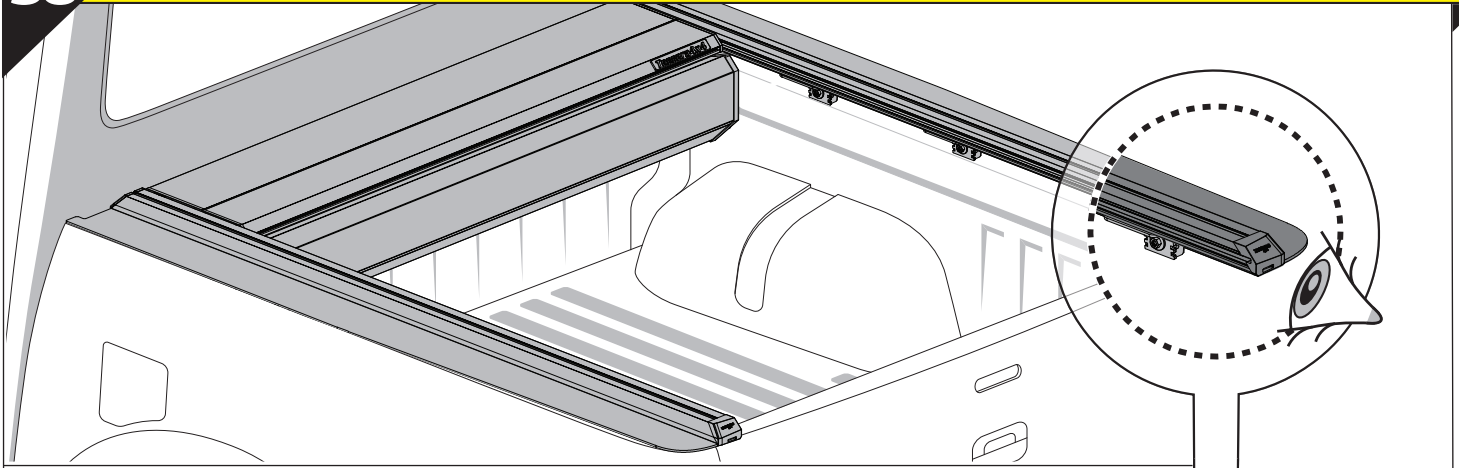


37

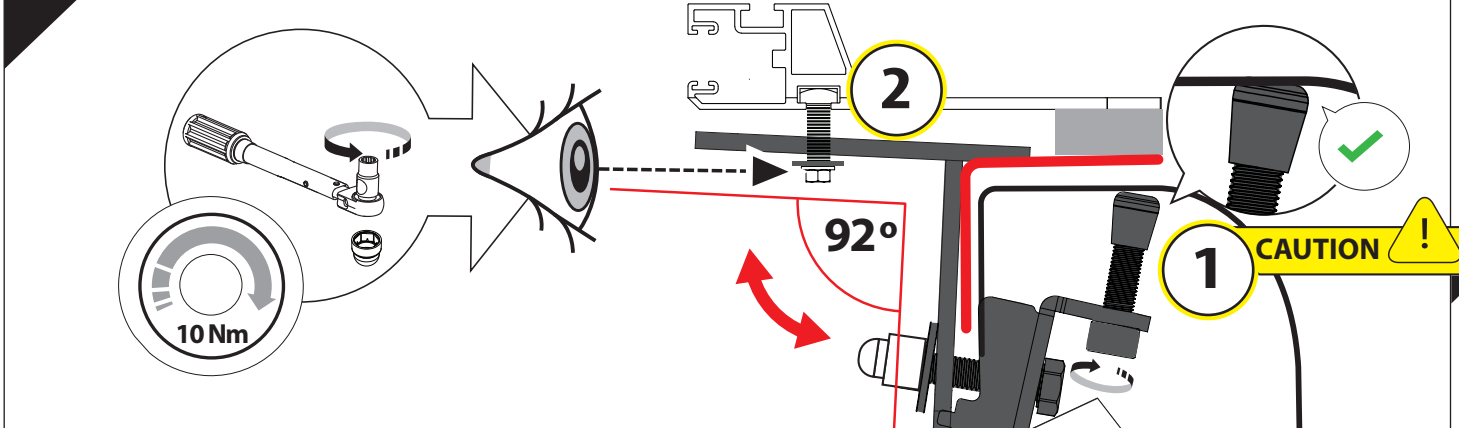


CAUTION !

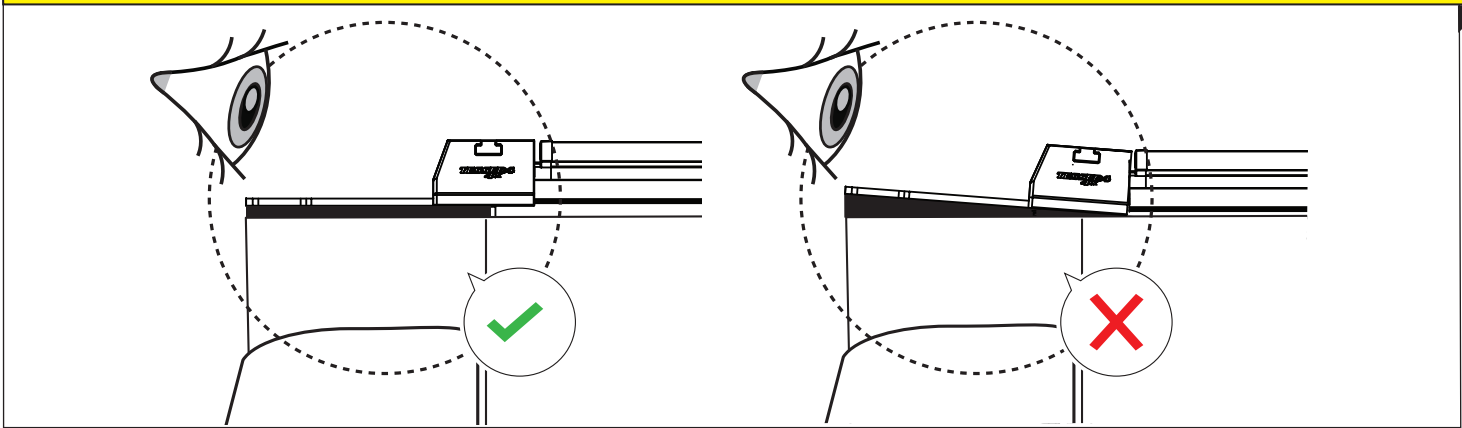
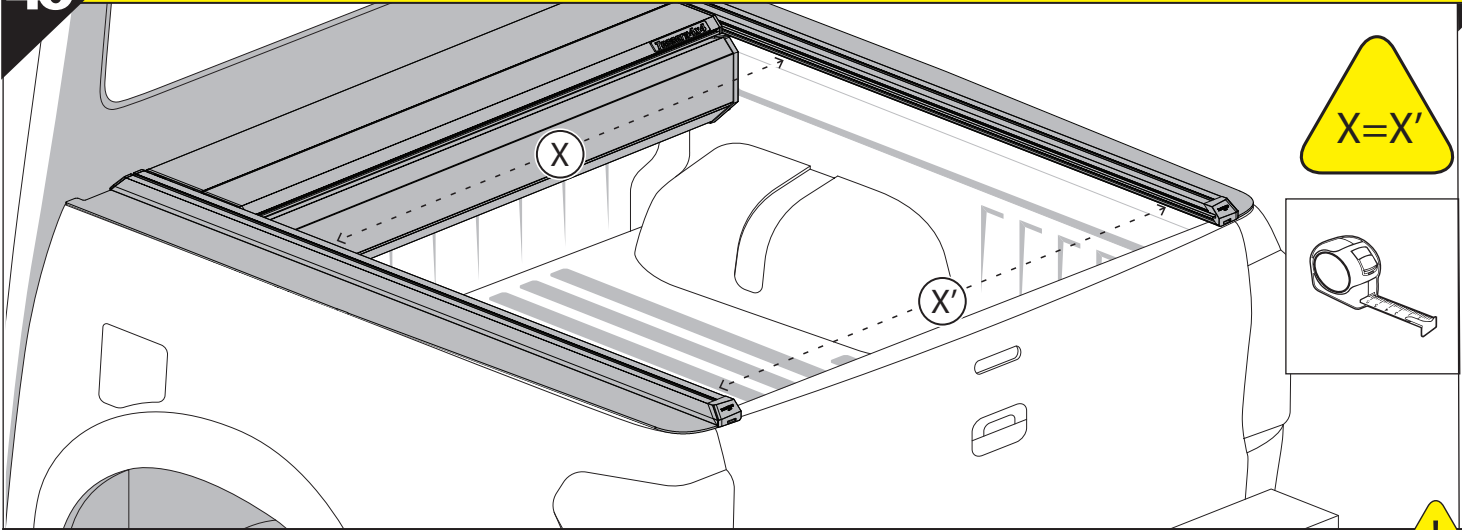


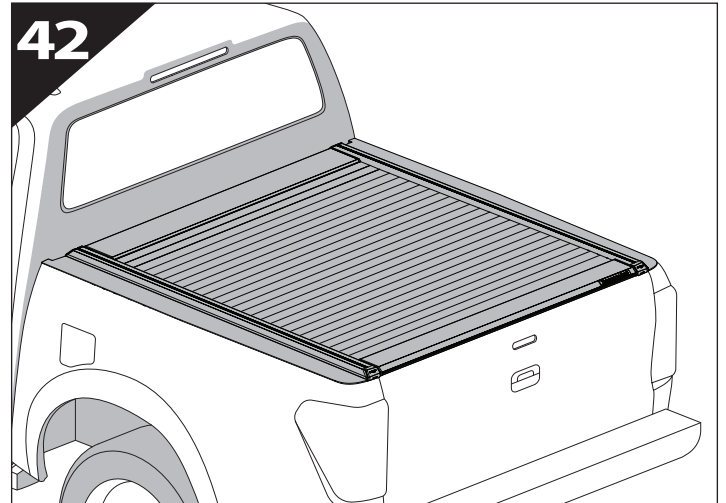
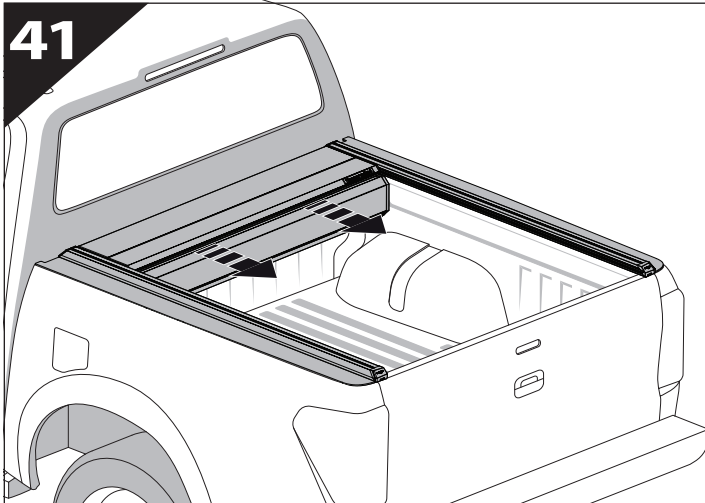


<p>Q</p> <p>x6</p>	<p>E</p> <p>x6</p>	<p>13 mm</p>
---------------------------	---------------------------	--------------



<p>Q</p> <p>x6</p>	<p>E</p> <p>x6</p>	<p>13 mm</p>
---------------------------	---------------------------	--------------





GR: Οδηγίες Εγκατάστασης
GB: Installation manual
SF: Asennusohje
F: Notice de montage
PL: Instrukcja montażu
NL: Installatie-instructies
TR: Montaj Talimatı
S: Monteringsanvisning
E: Instrucciones de montaje

H: Szerelési utasítás
P: Instruções de instalação
RUS: Инструкция по установке
N: Monteringsveiledning
D: Einbauanleitung
CZ: Návod k instalaci
I: Istruzioni de montaggio
DK: Monteringsvejledning
RO: Instructiuni de instalare

Customer Service:

+30 (210) 5541161, +30 (210) 5541154 (08:00 - 16:00 EET)

Support department:

info@gianso.gr

Website:

www.tessera4x4.com

Address:

19.5 km of National road Athens-Korinthos (Elefsina) Greece, P.C: 19200