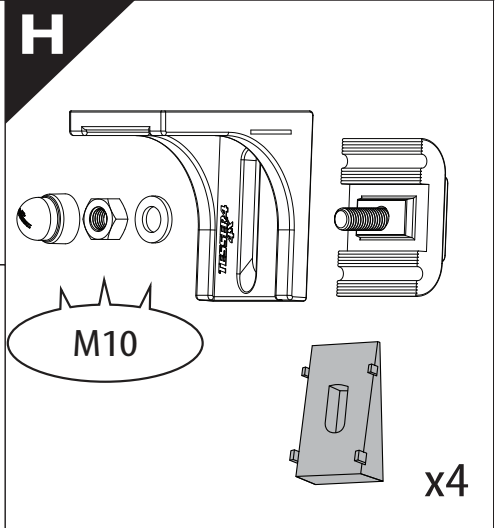
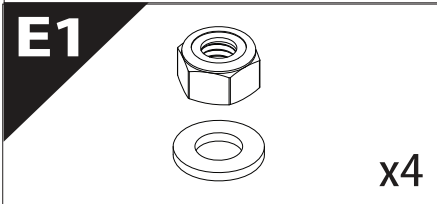
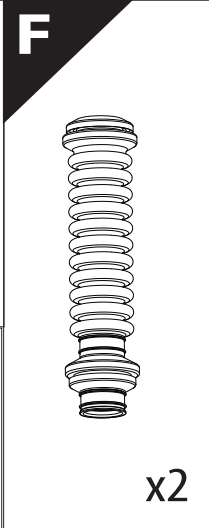
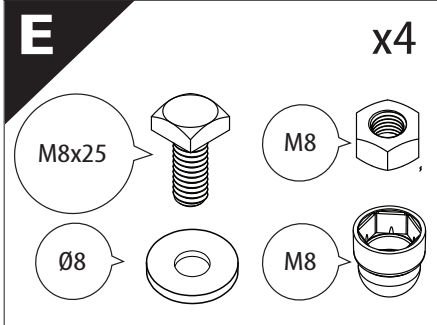
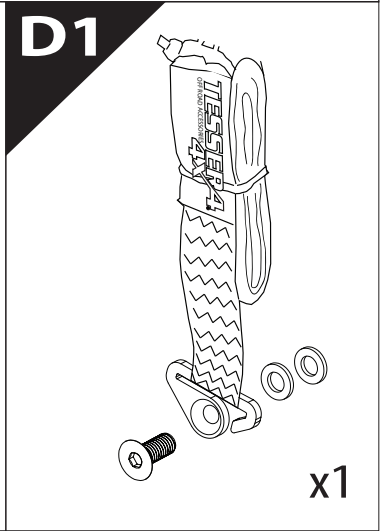
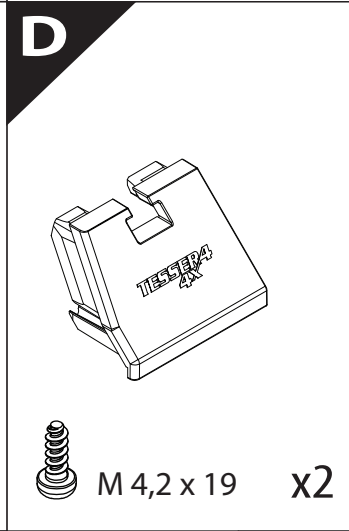
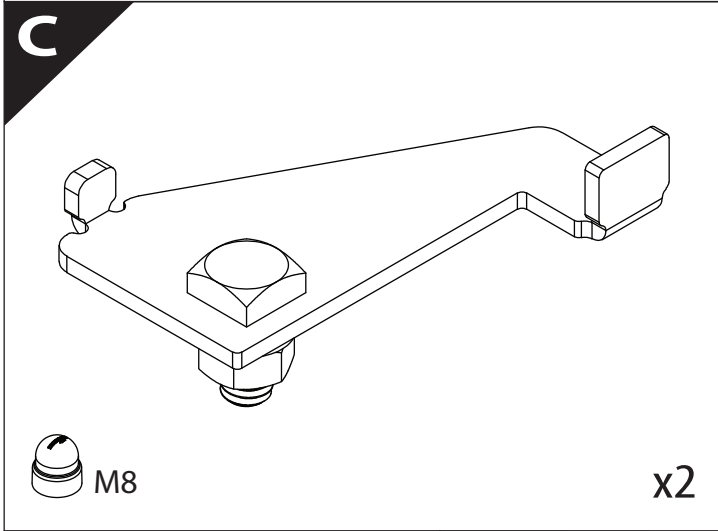
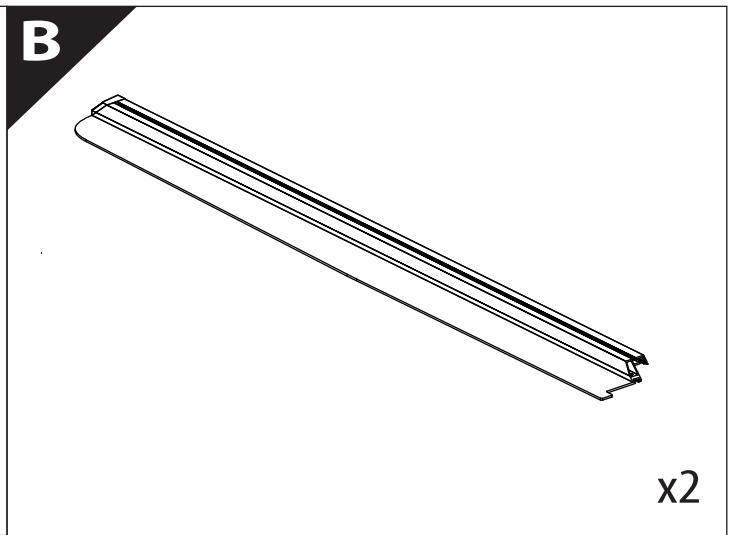
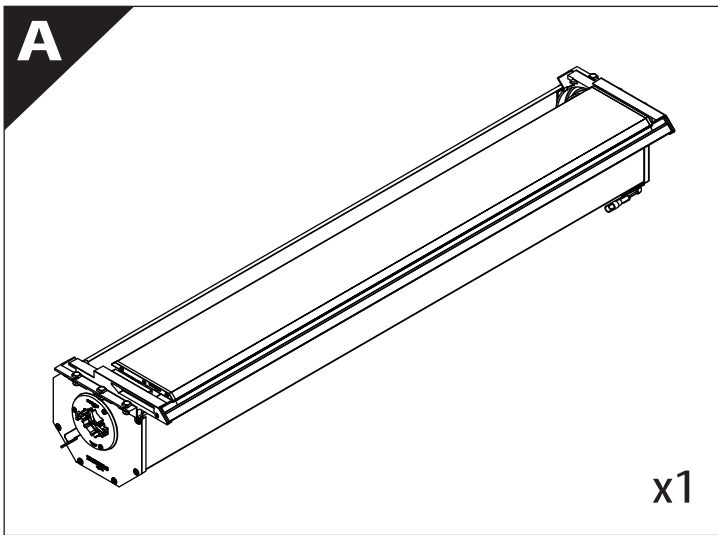
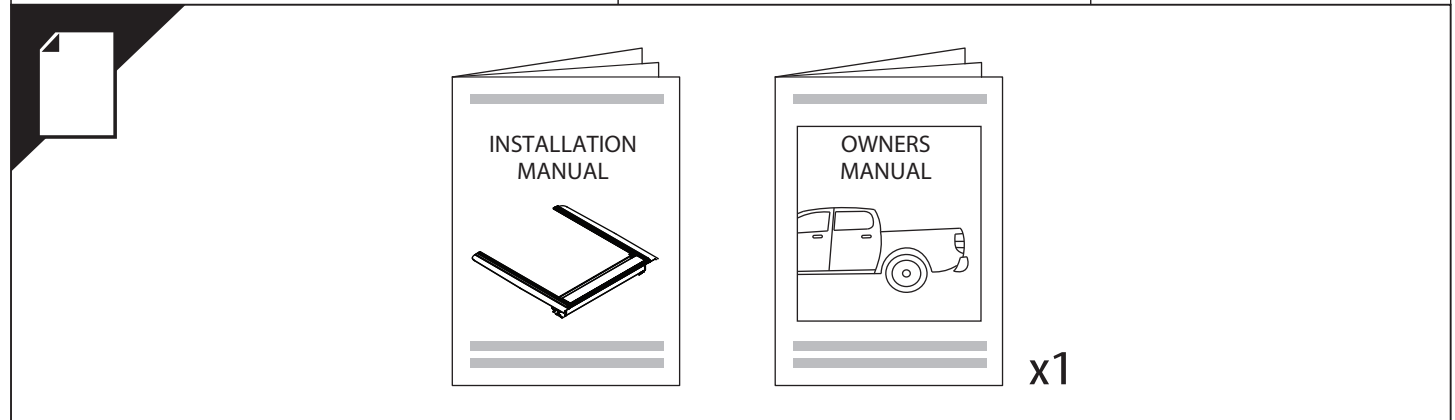
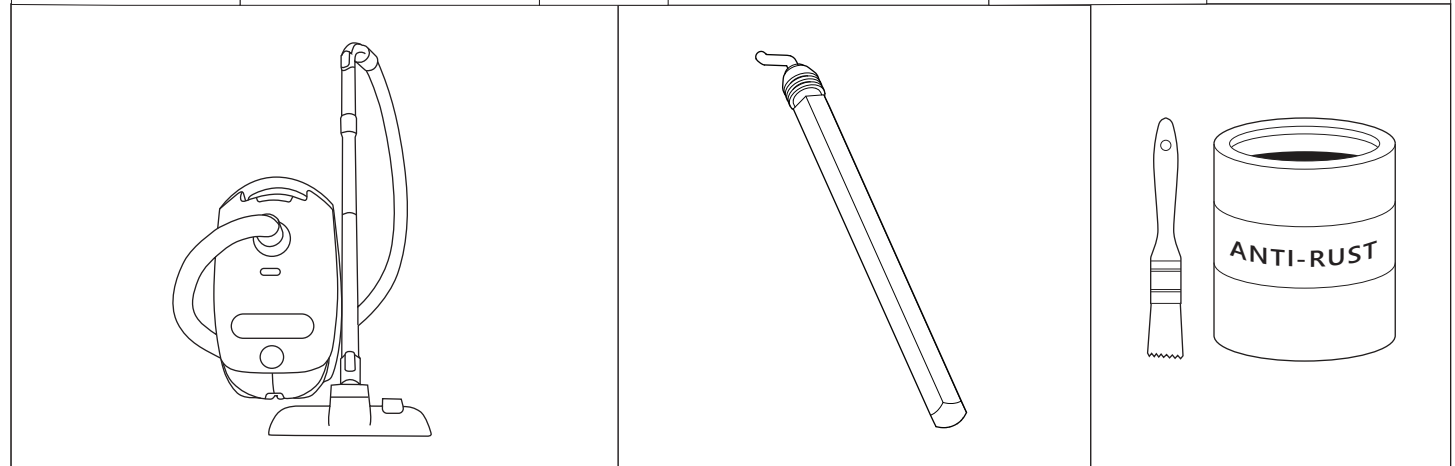
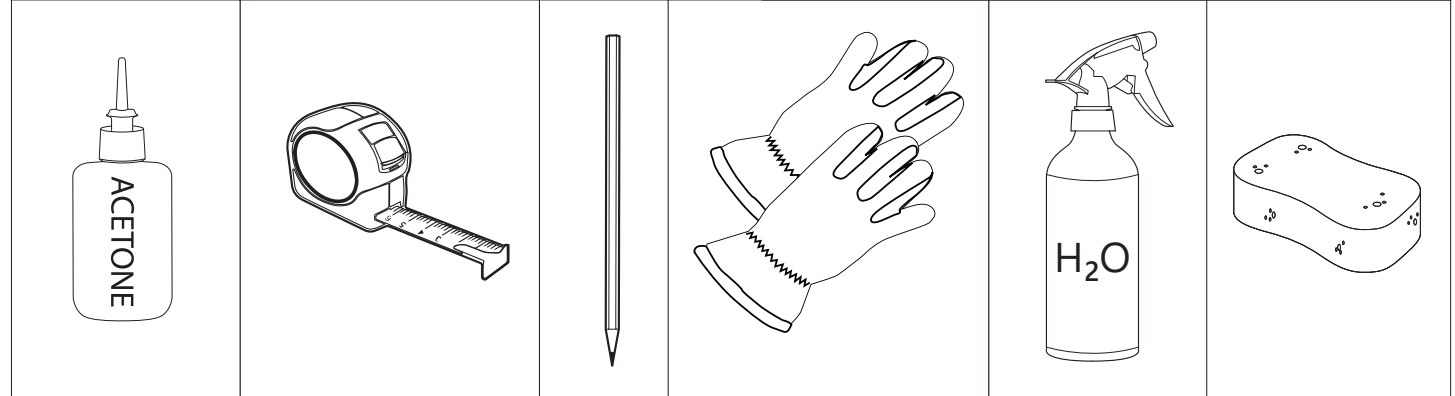
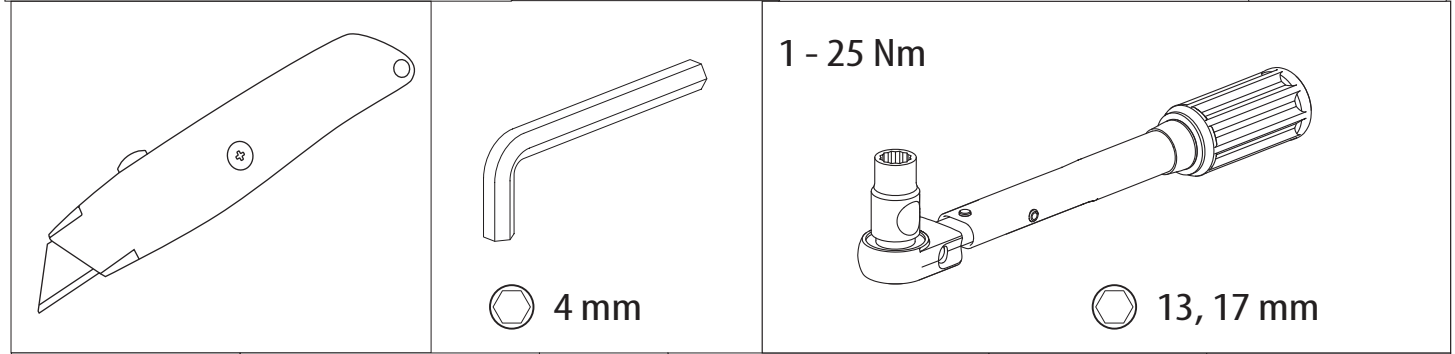
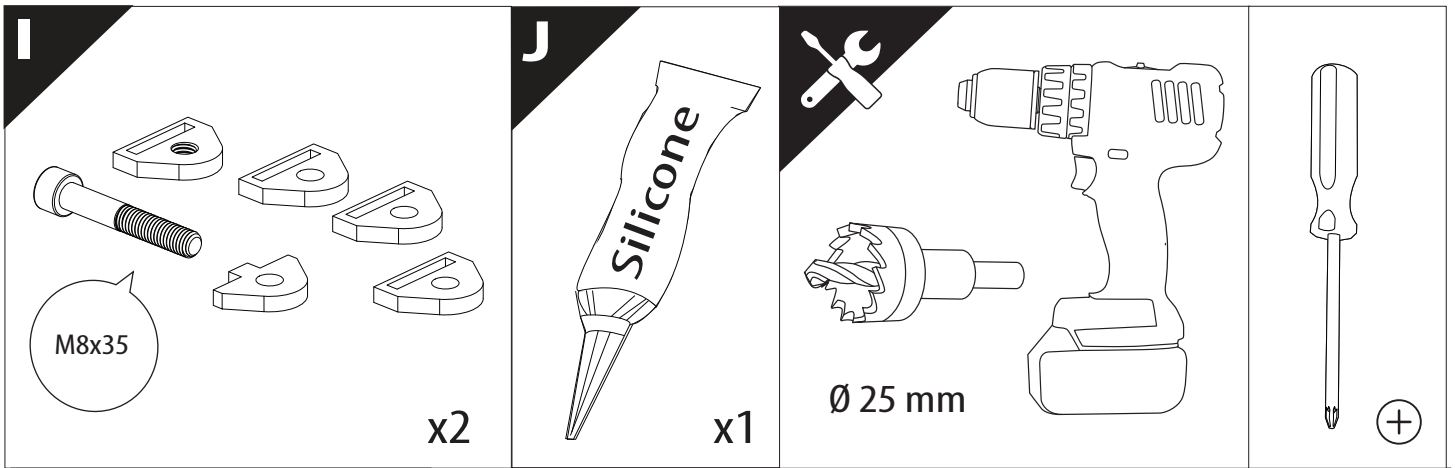
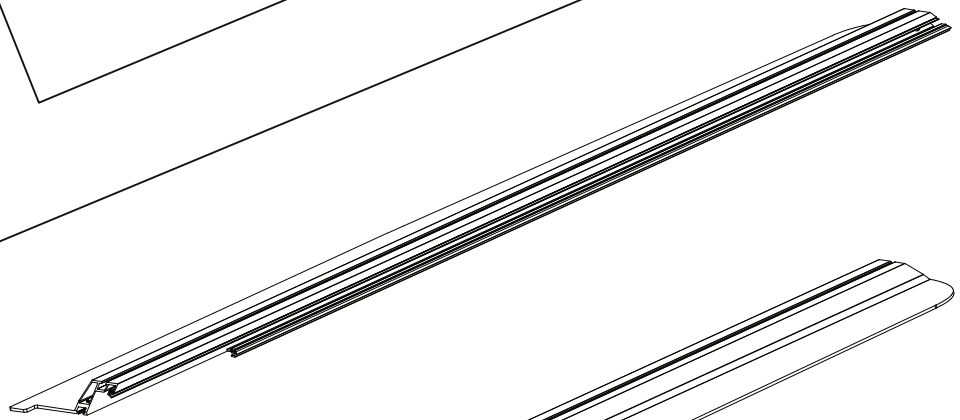
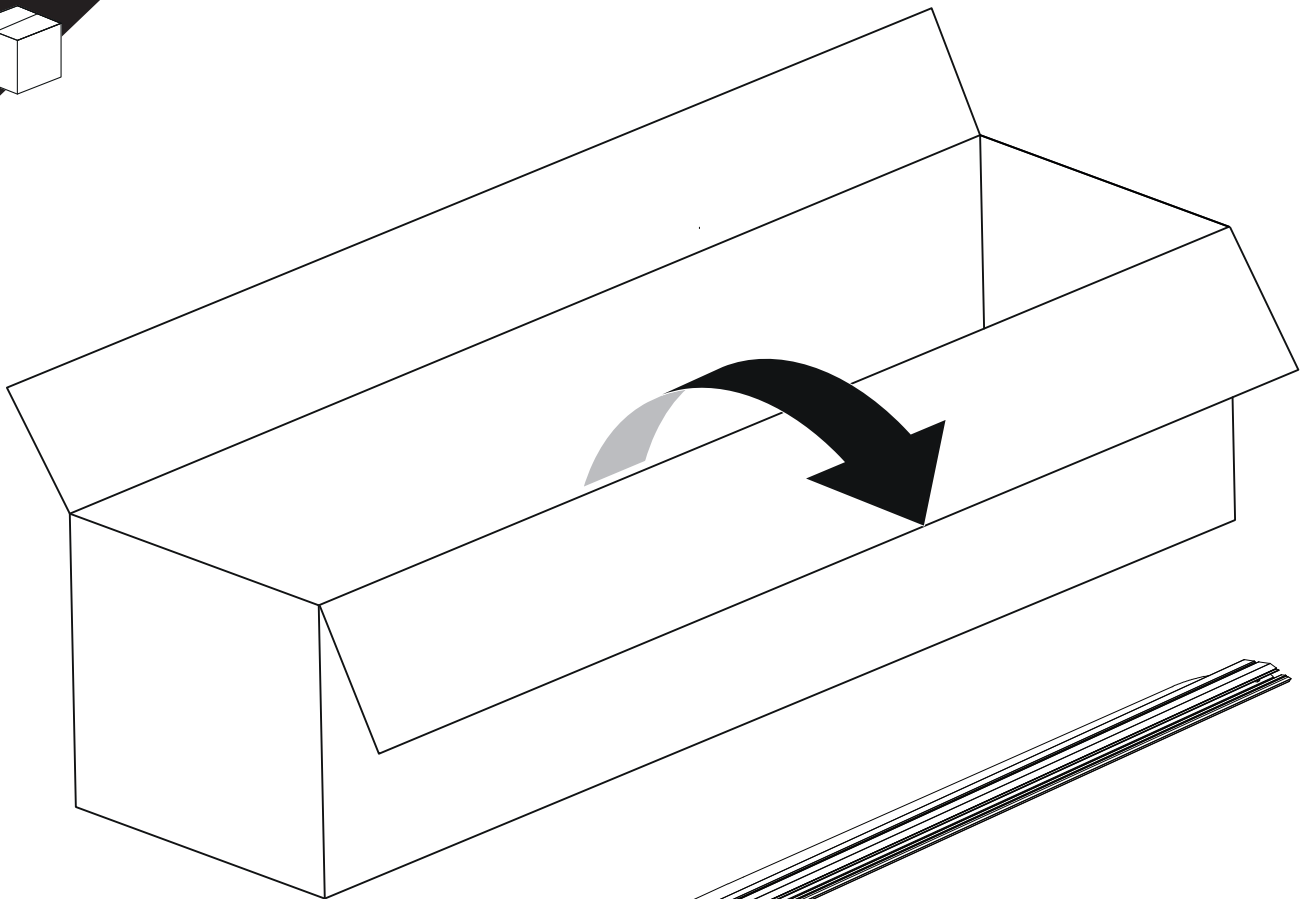


## Installation Manual

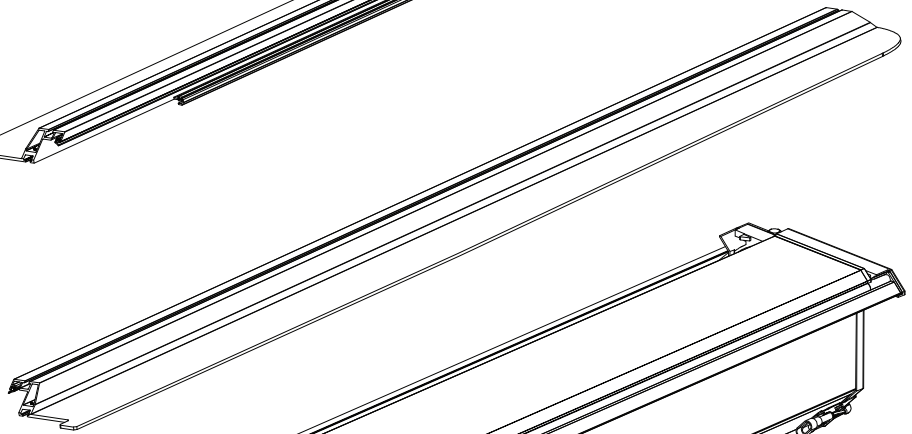
<b>PART NUMBER(S)</b>	<b>Model Year</b>
<b>TESS 15431 SE</b>	<b>FOTON TUNLAND V9 WITH OEM ROLLBAR 2024+</b>
<b>Cab(s)</b>	<b>Installation Time / Weight</b>
<b>Double Cab</b>	<b>40-60 minutes / 53-57 kg</b>



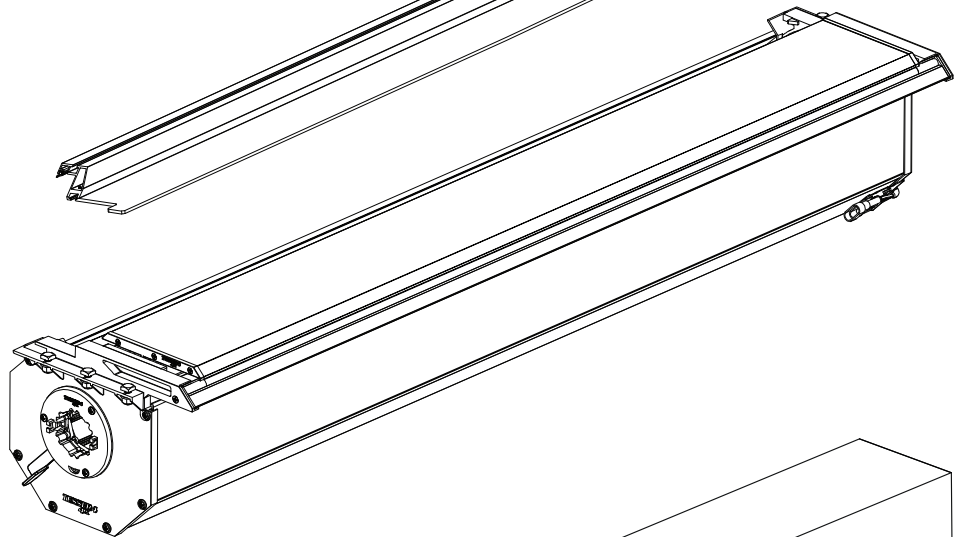




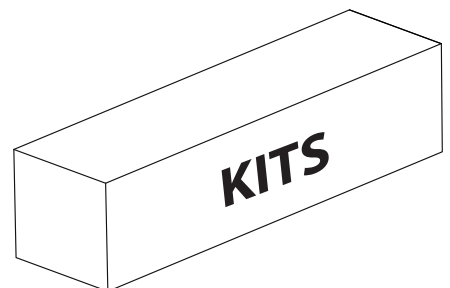
**B**



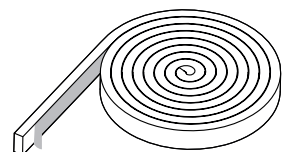
**A**

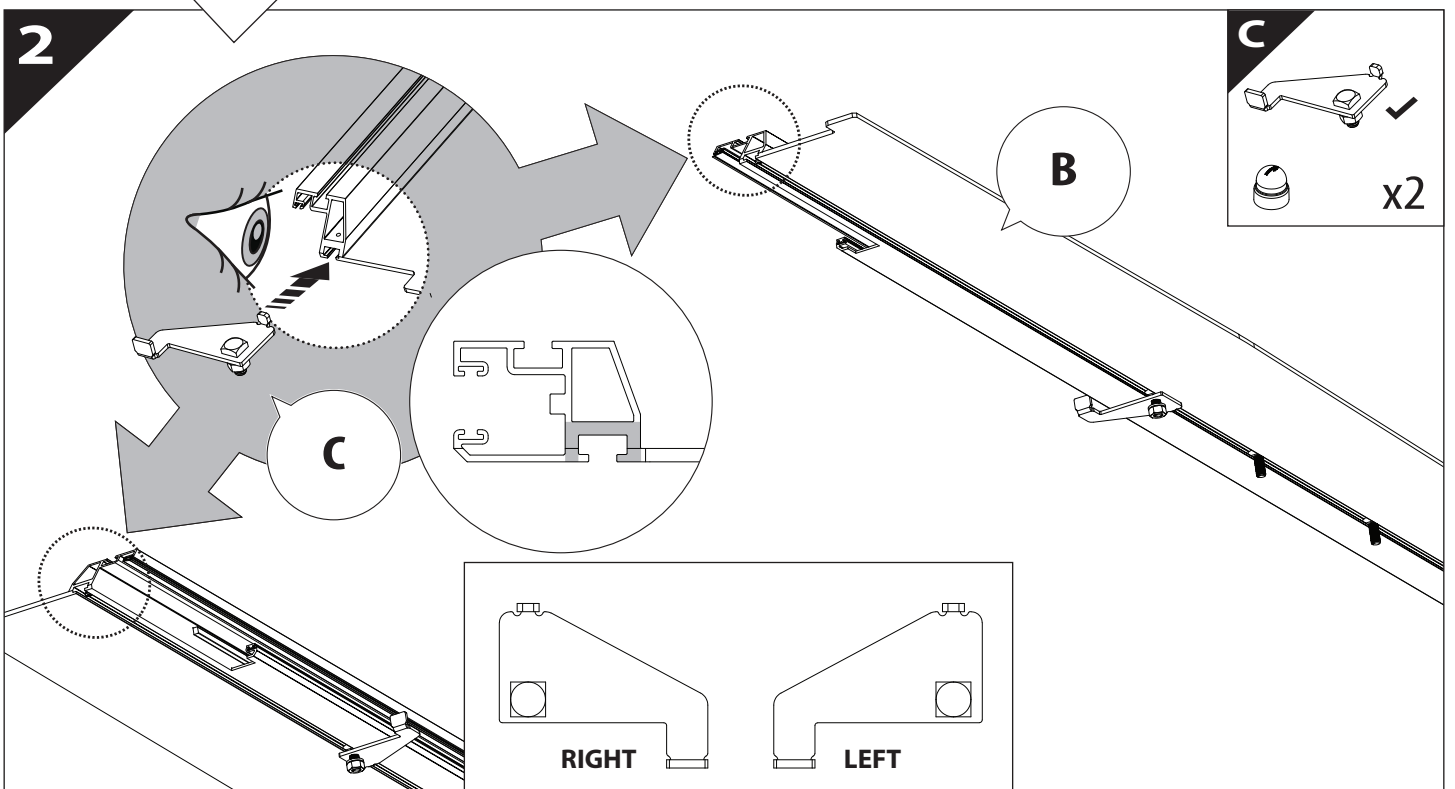
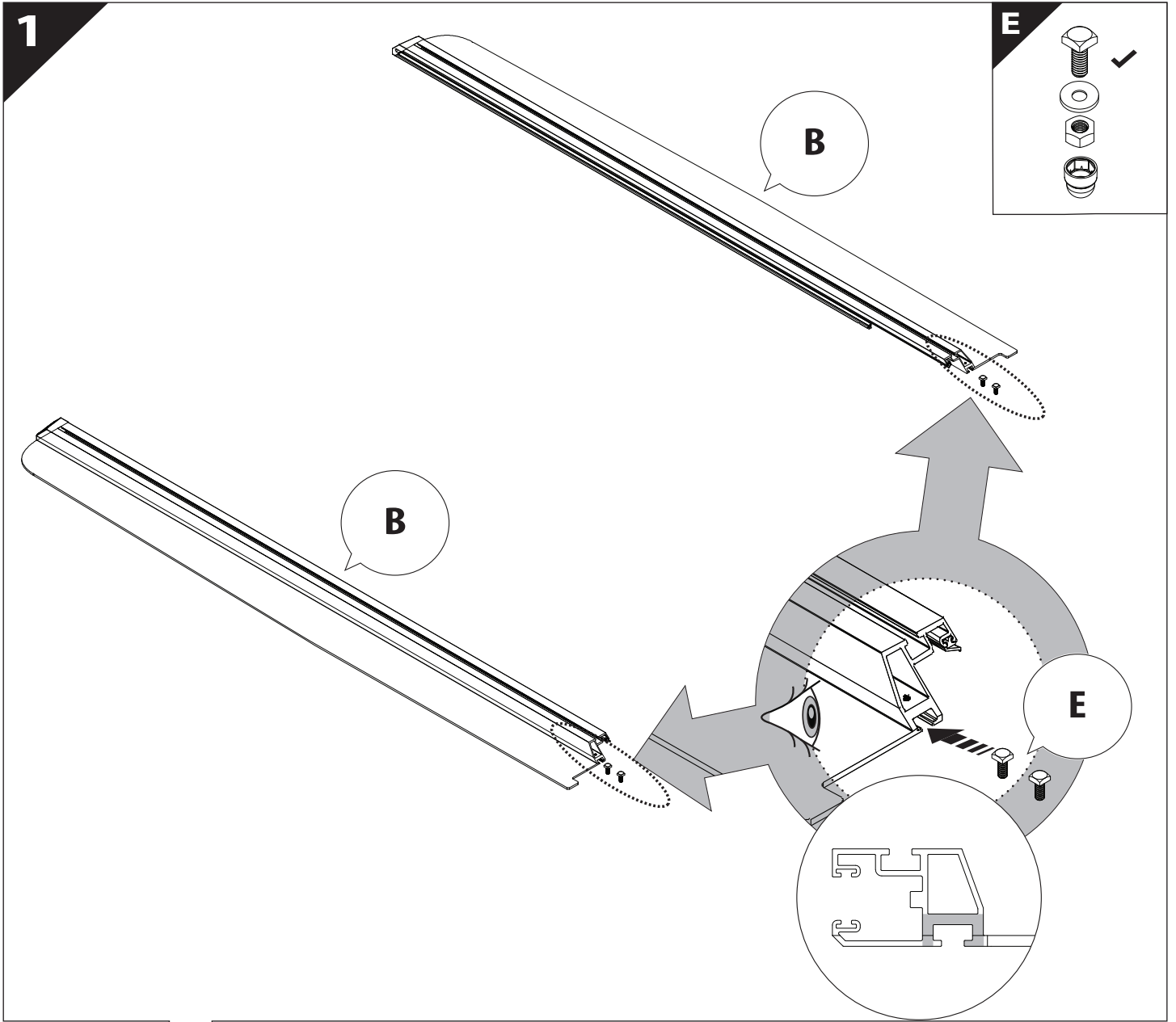


**KITS**

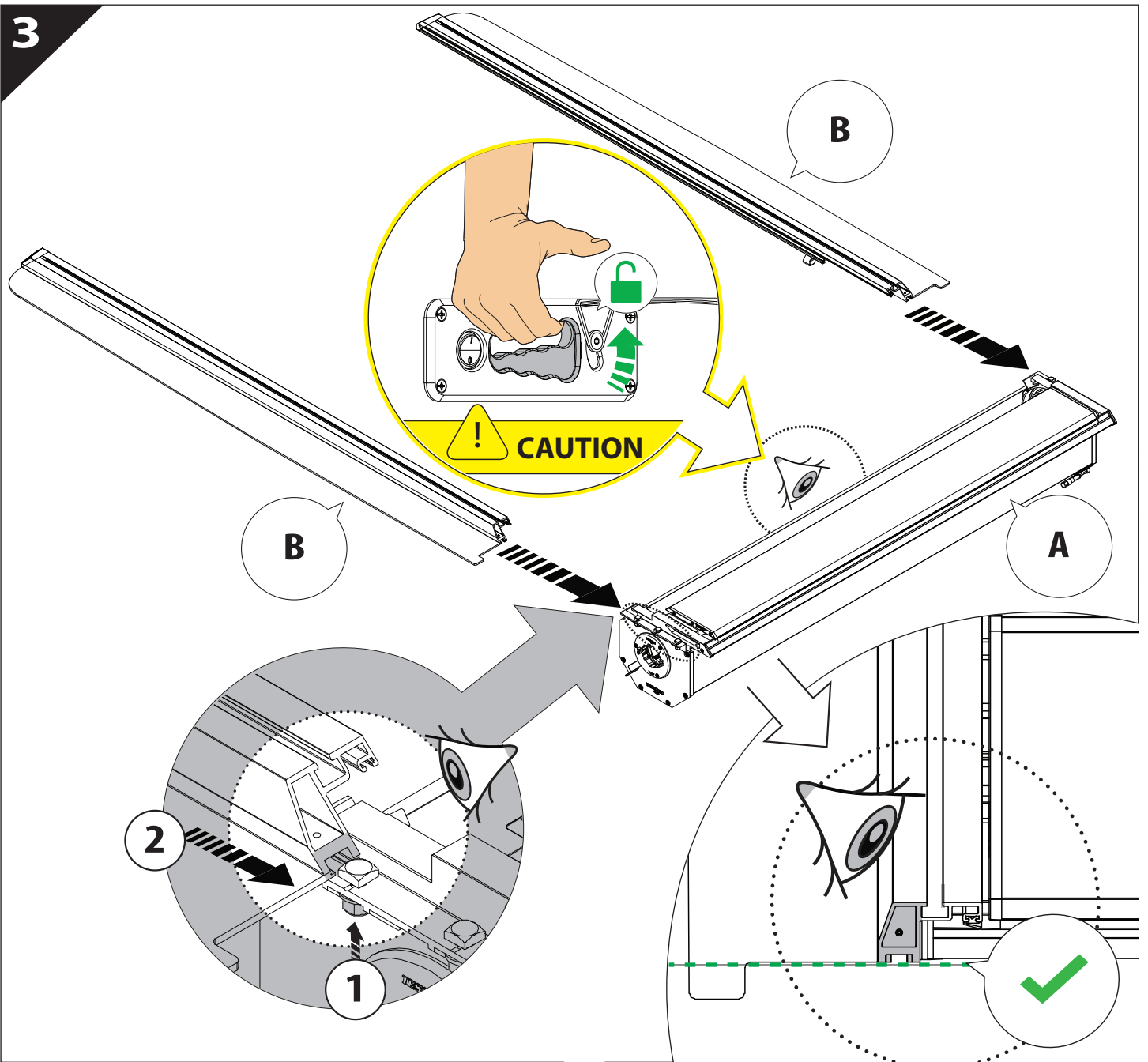


**G**

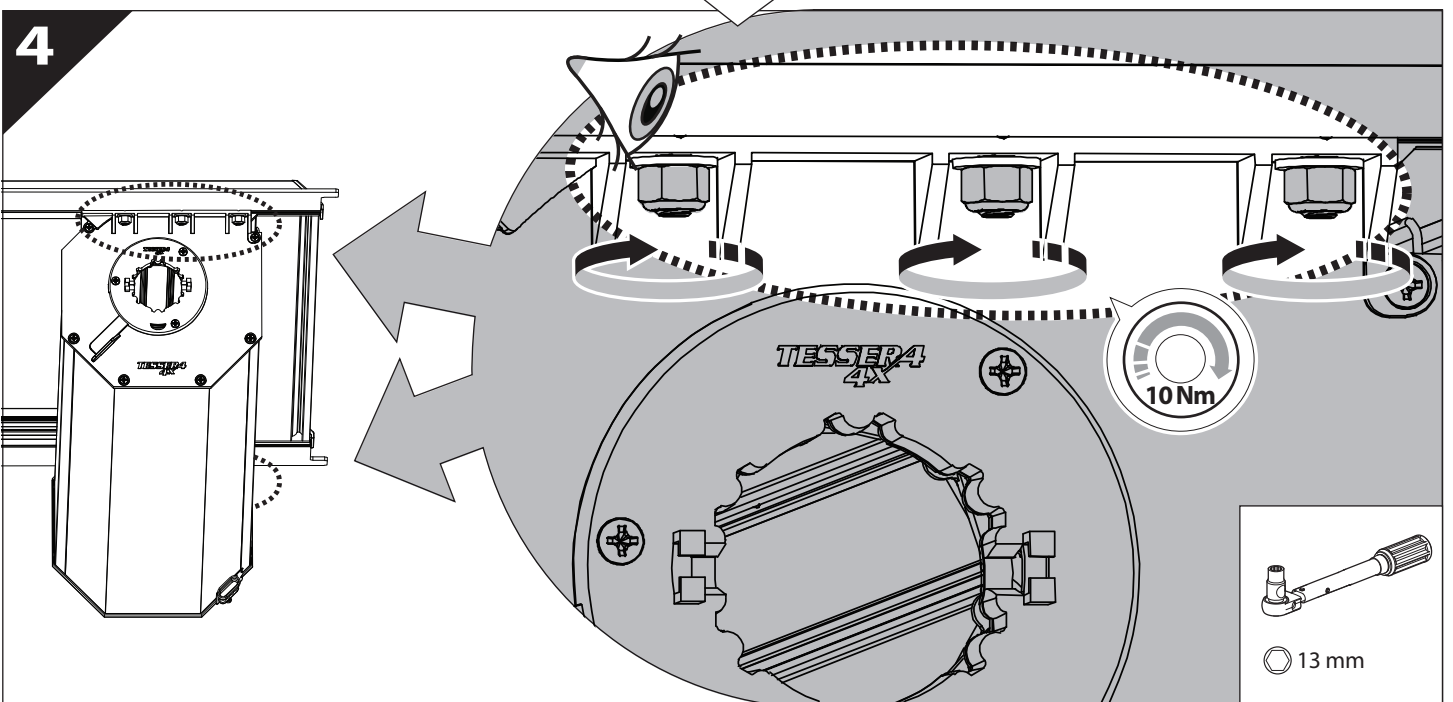


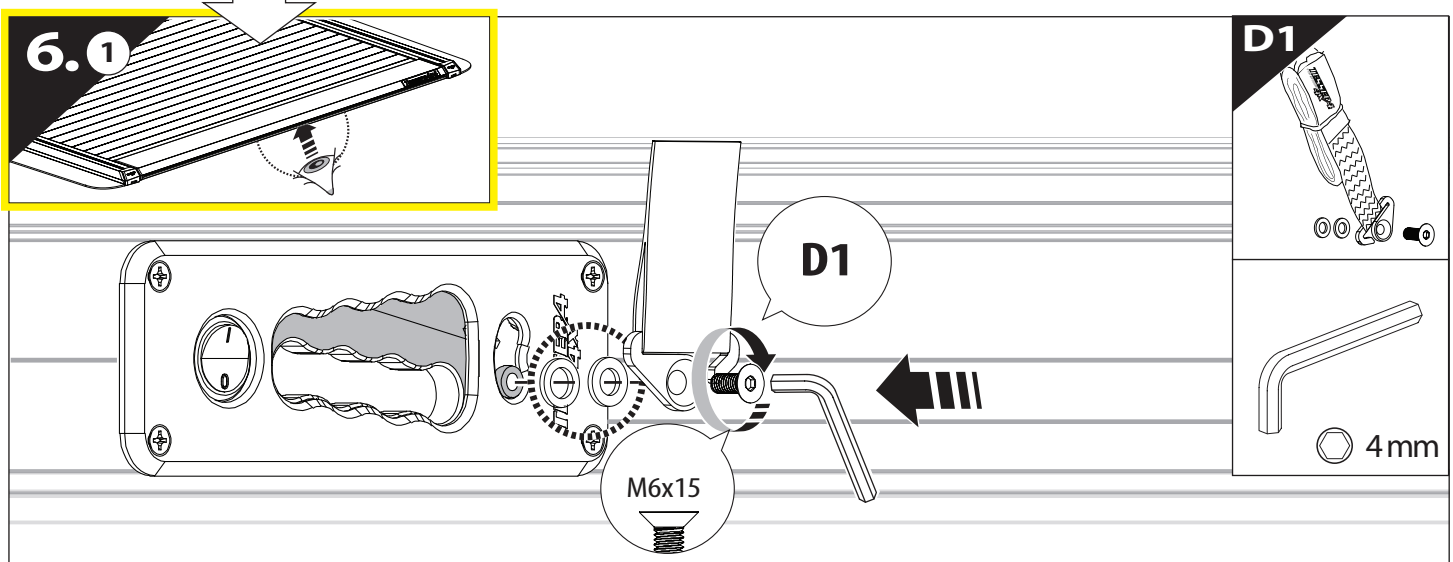
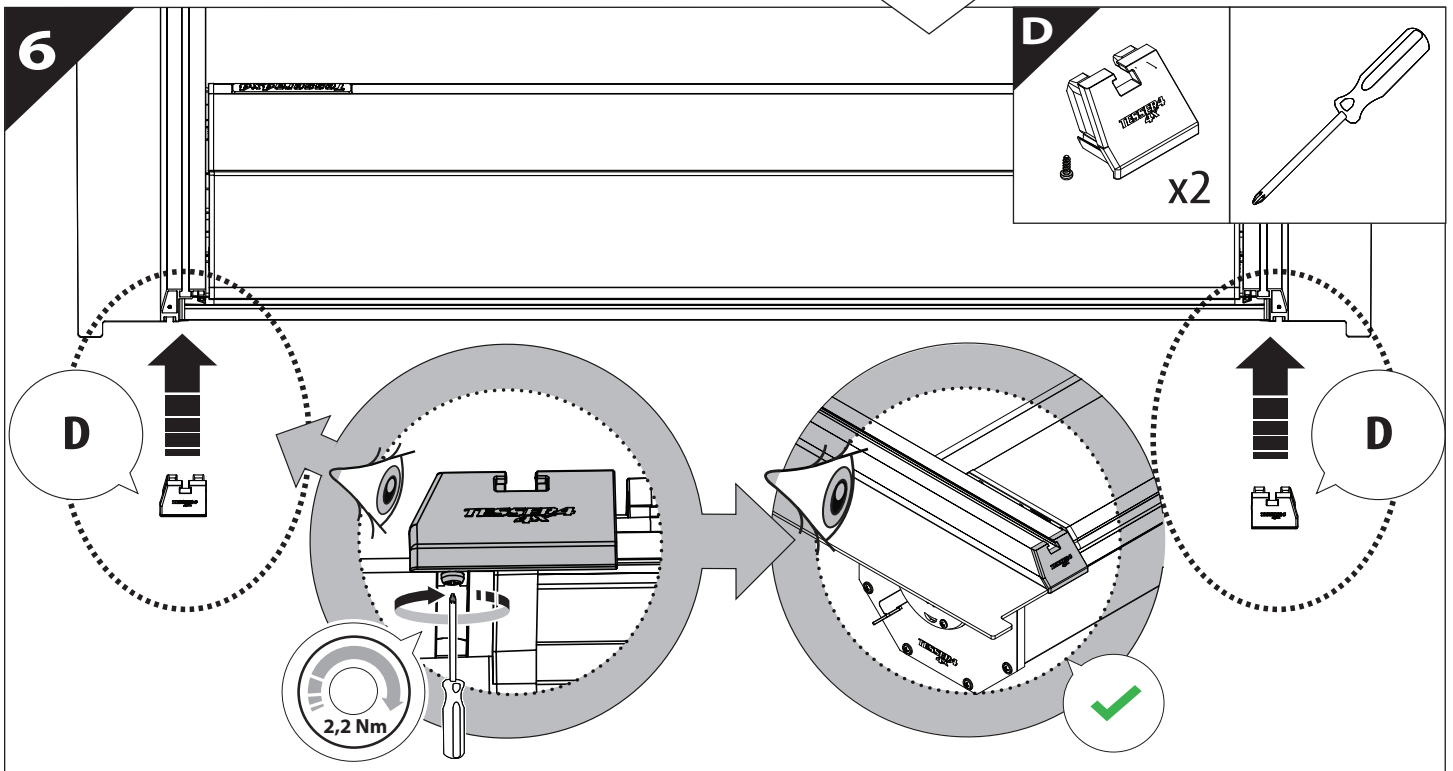
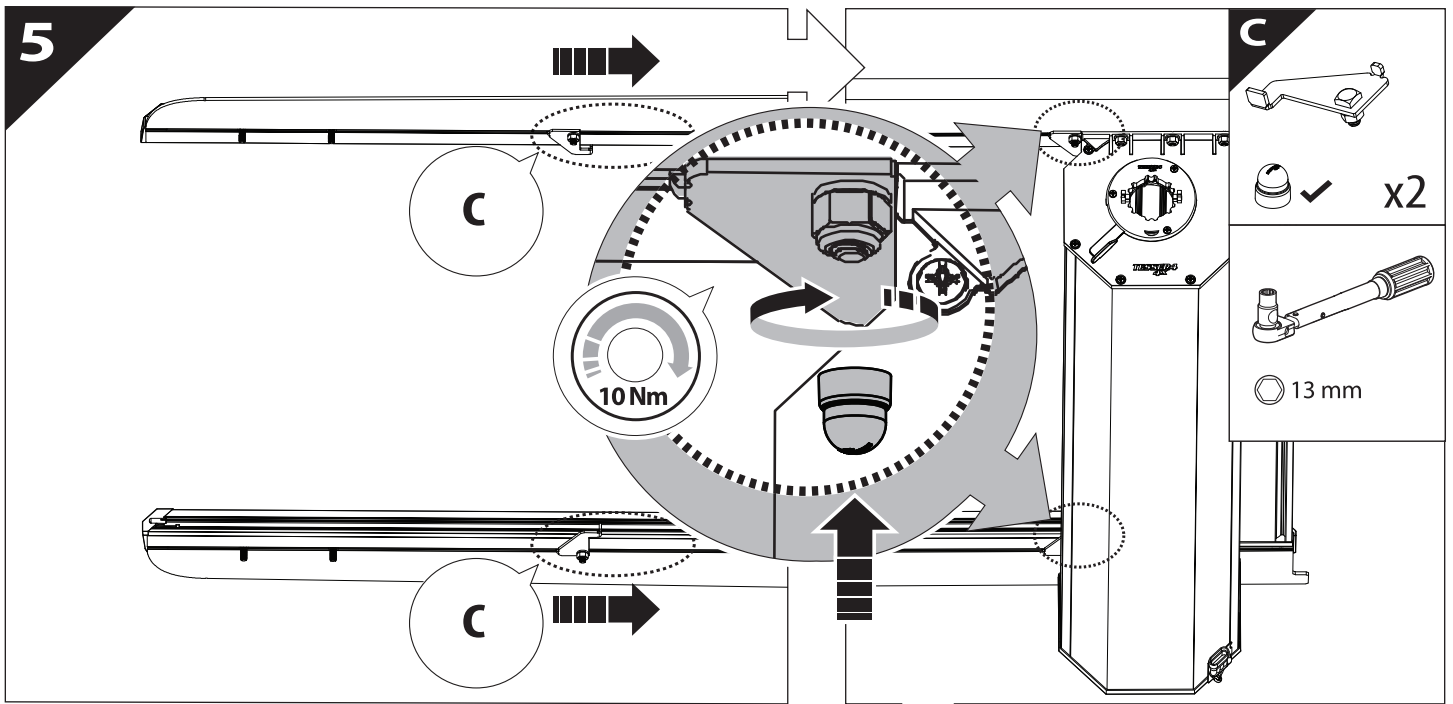


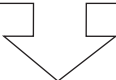
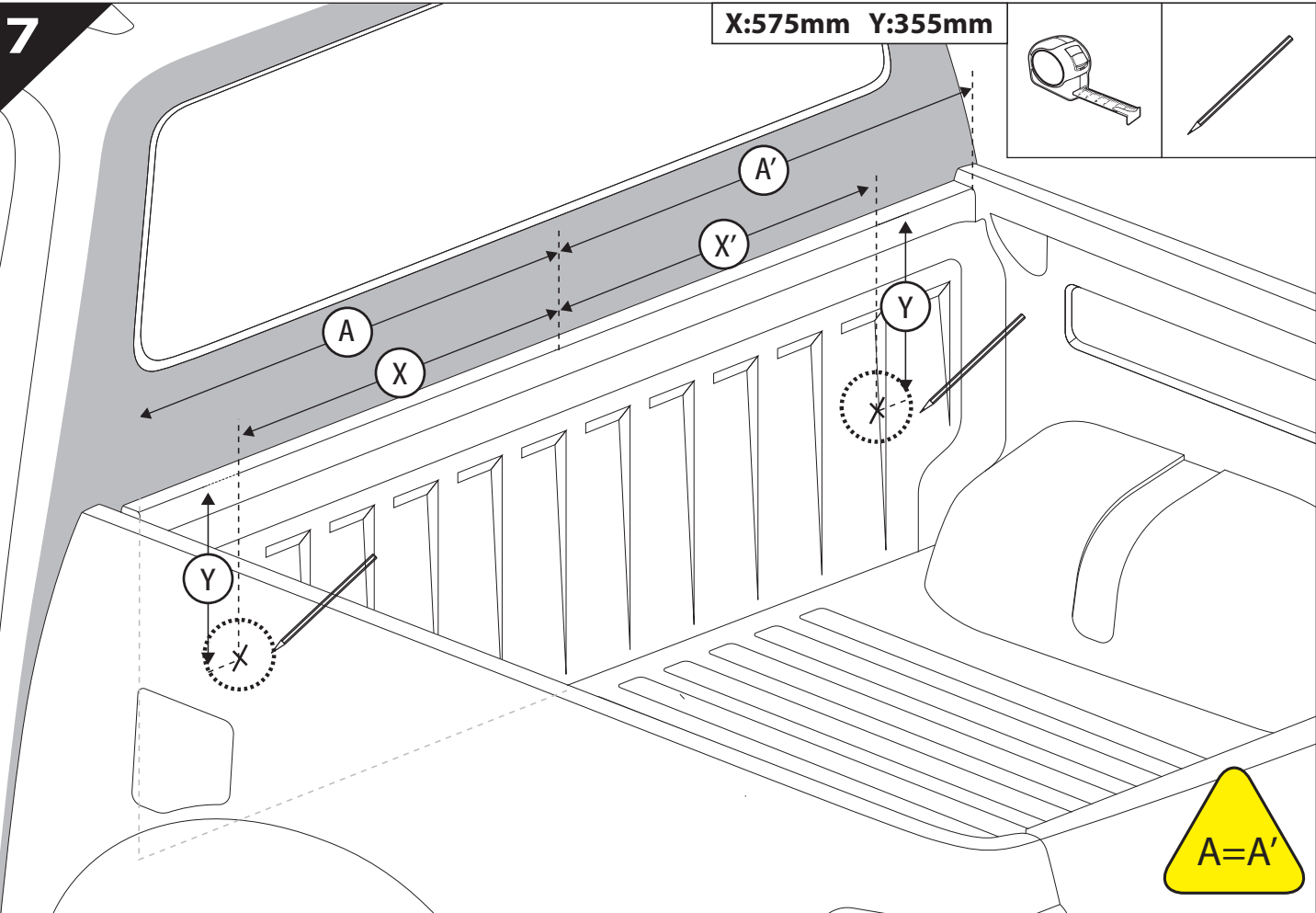
3



4








8

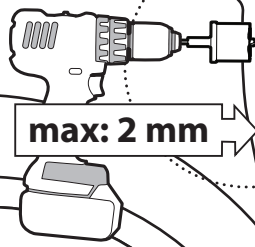


Ø 25 mm




Rust Protection

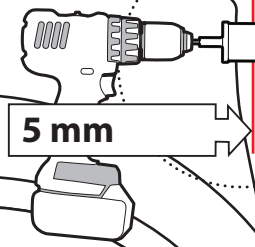
**CAUTION**




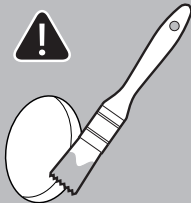
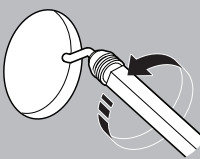
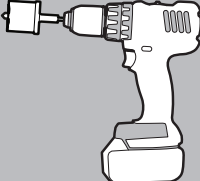

max: 2 mm



**CAUTION**

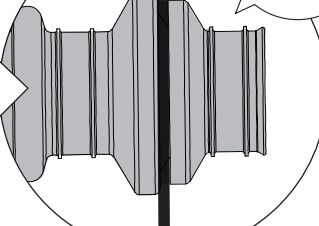
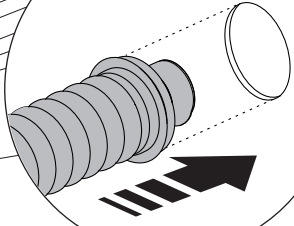



5 mm



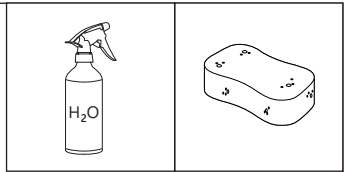
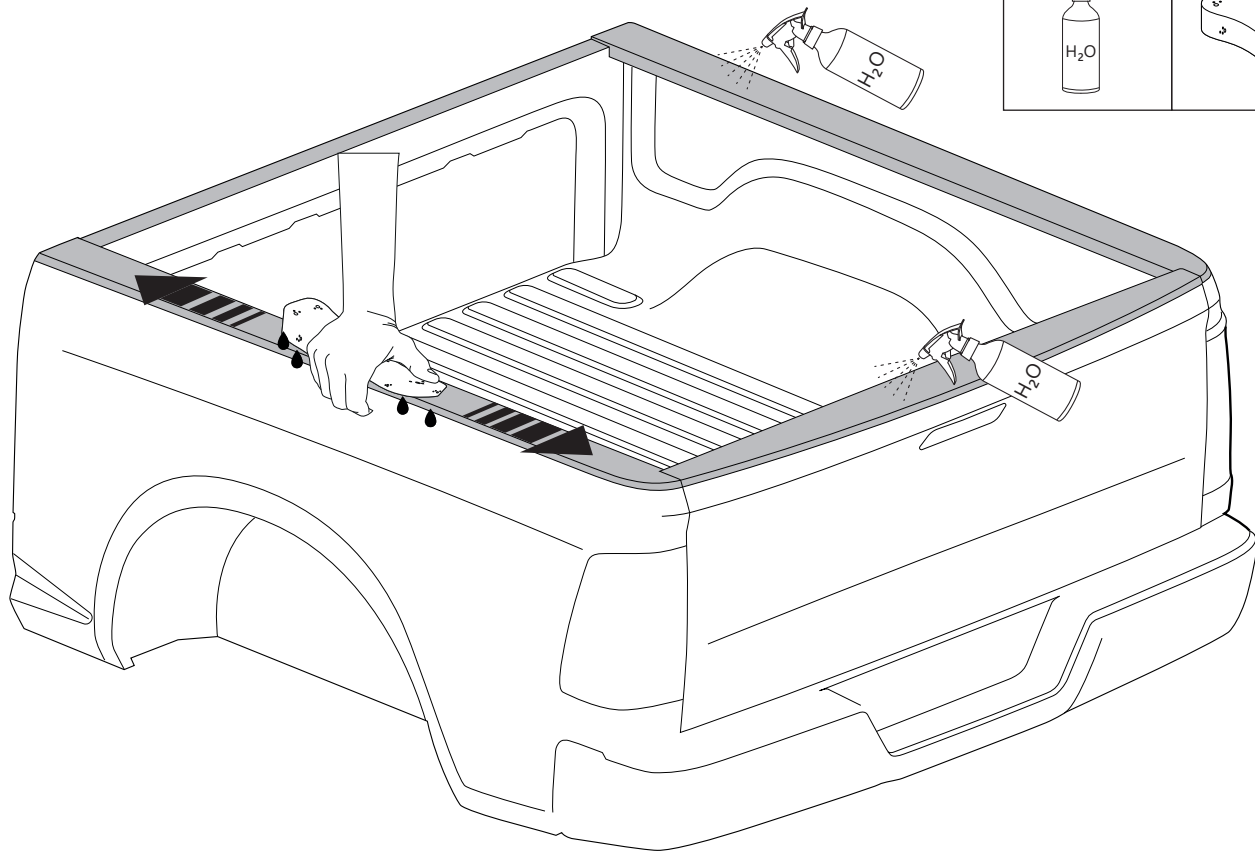
9

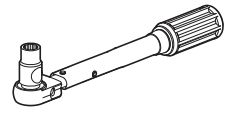
**F**



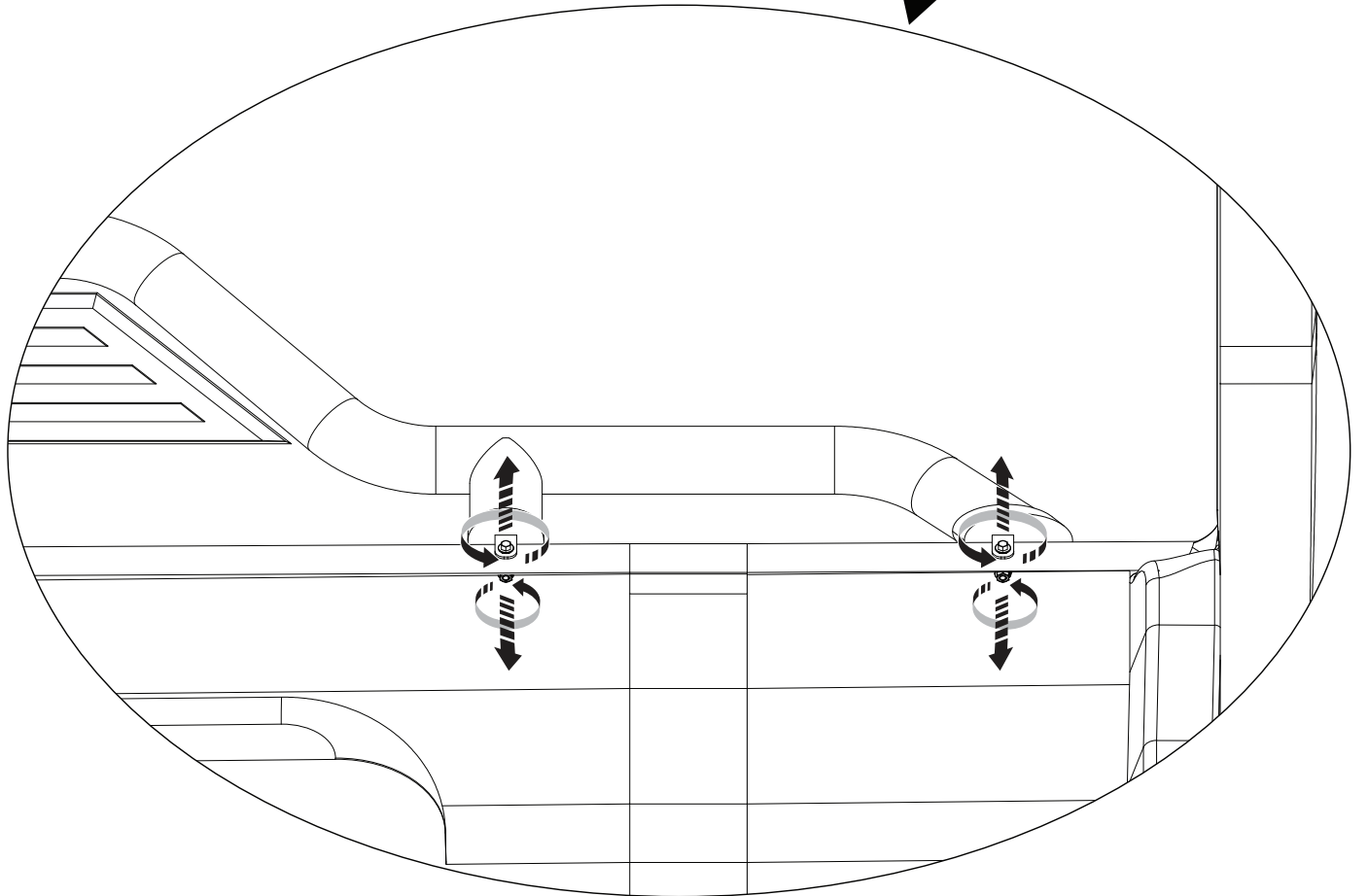
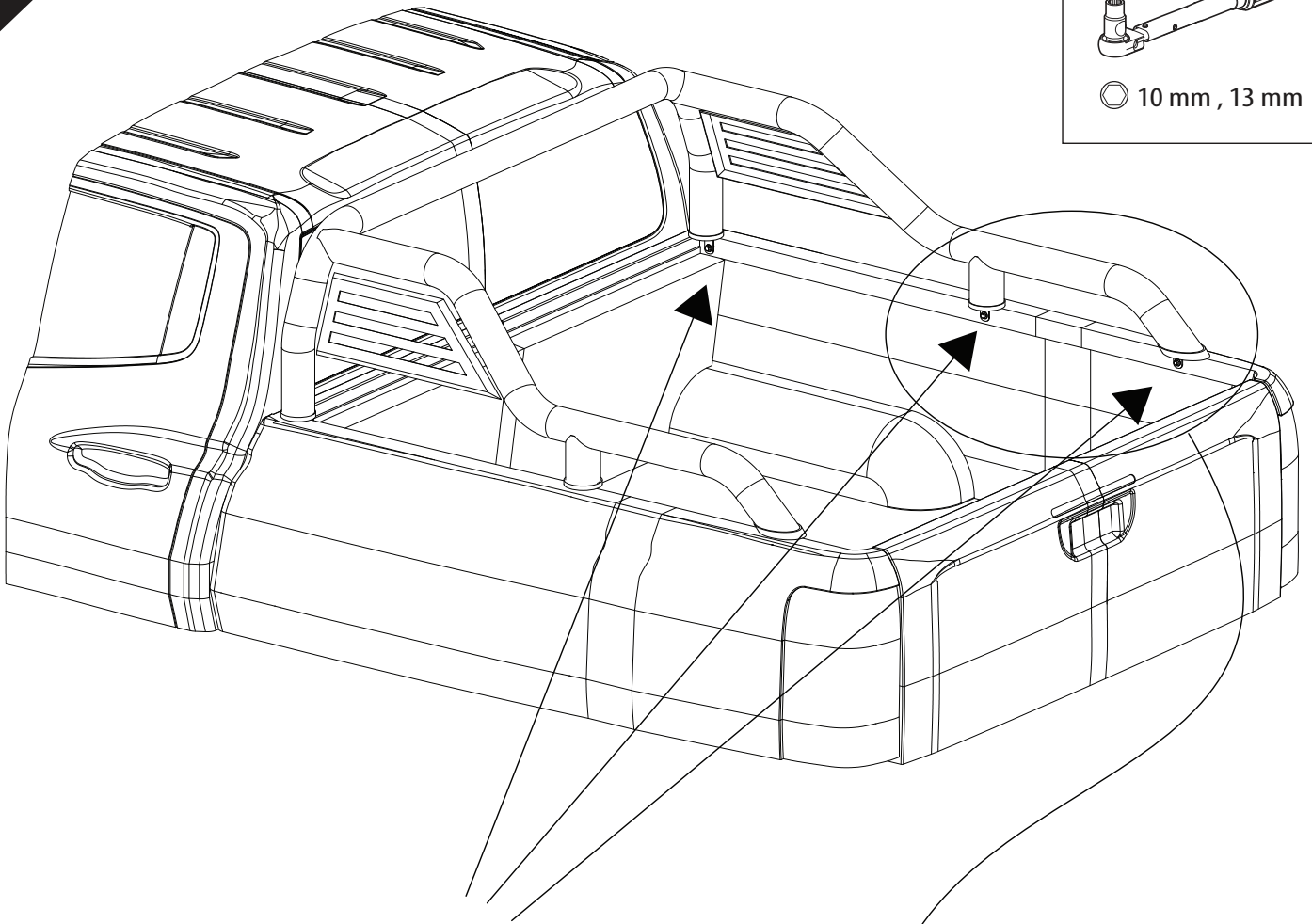
**F**

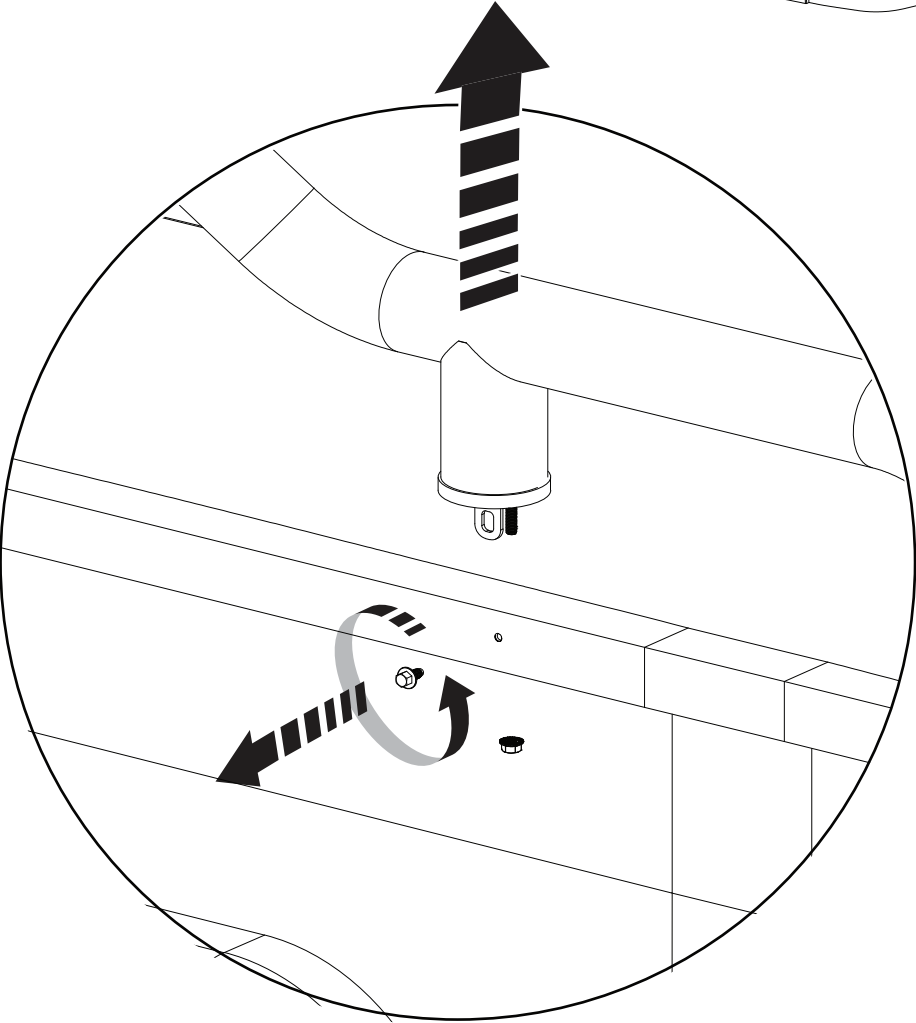
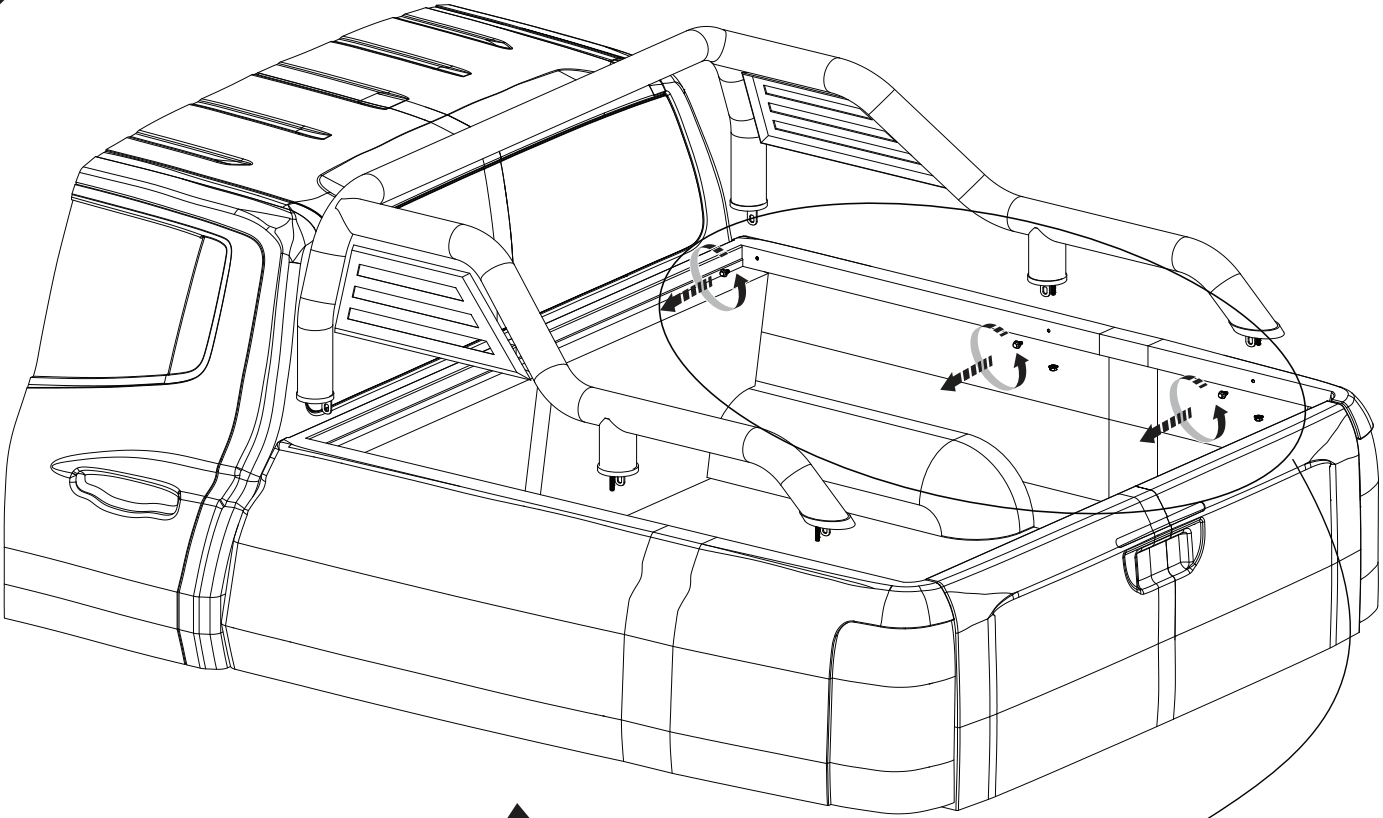
10

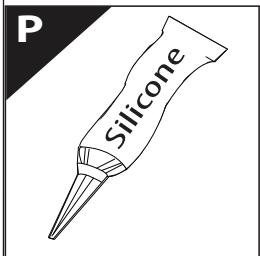
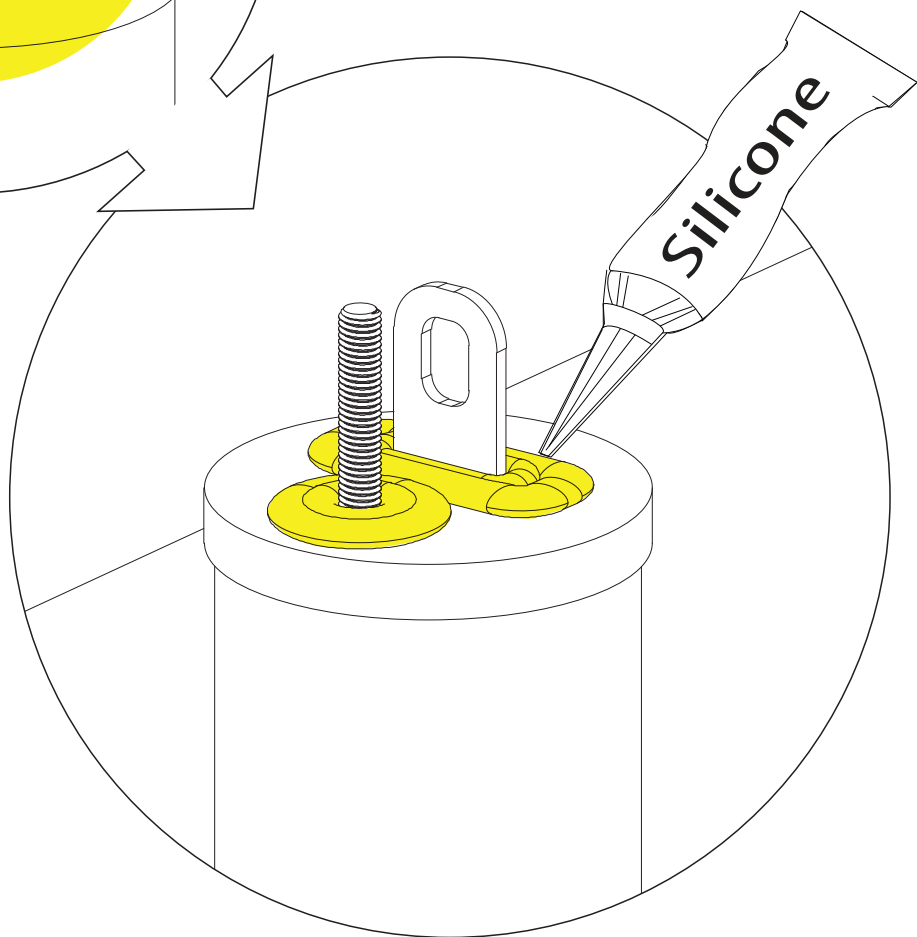
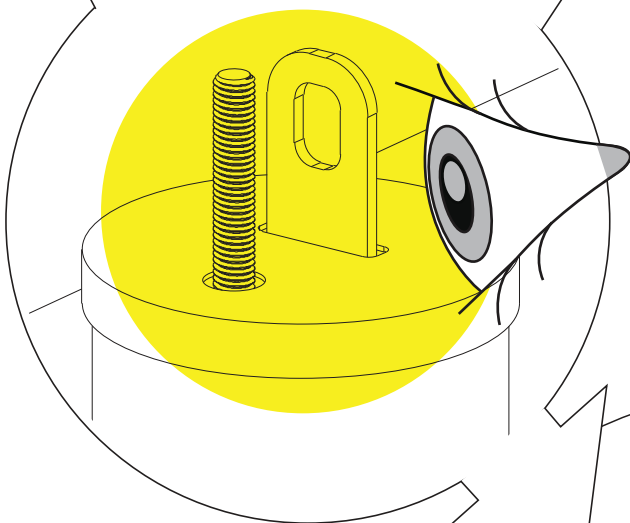
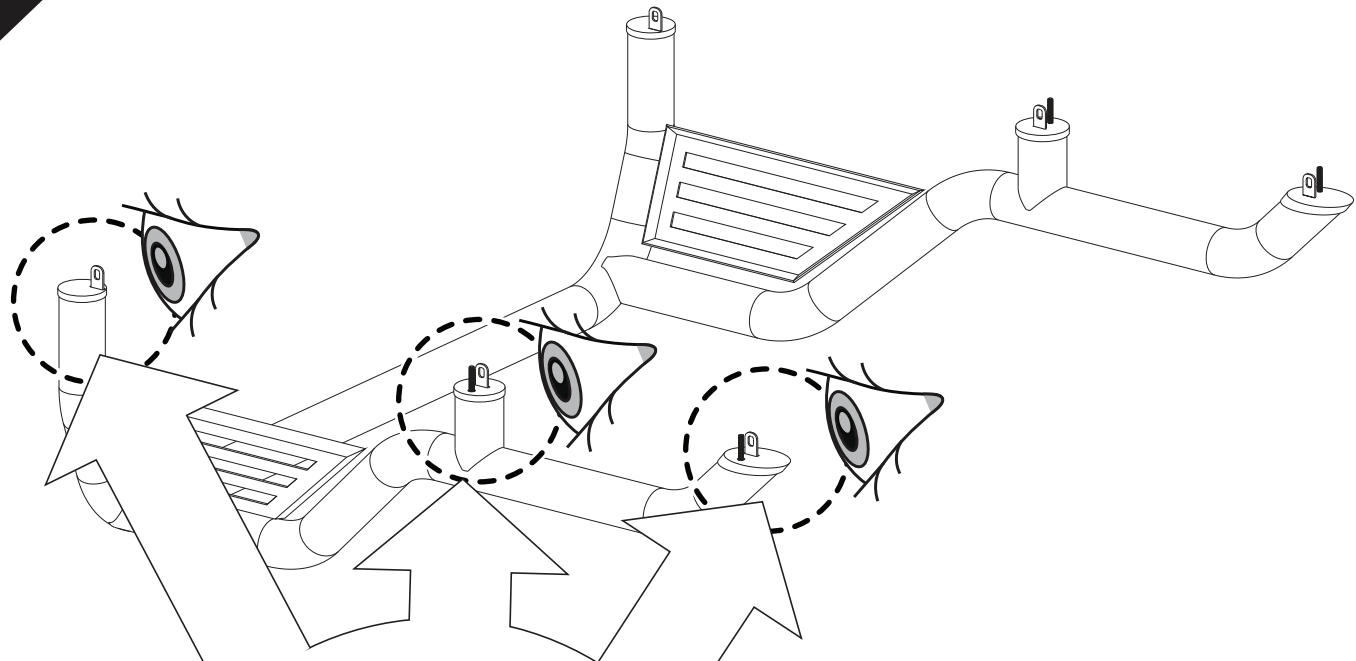


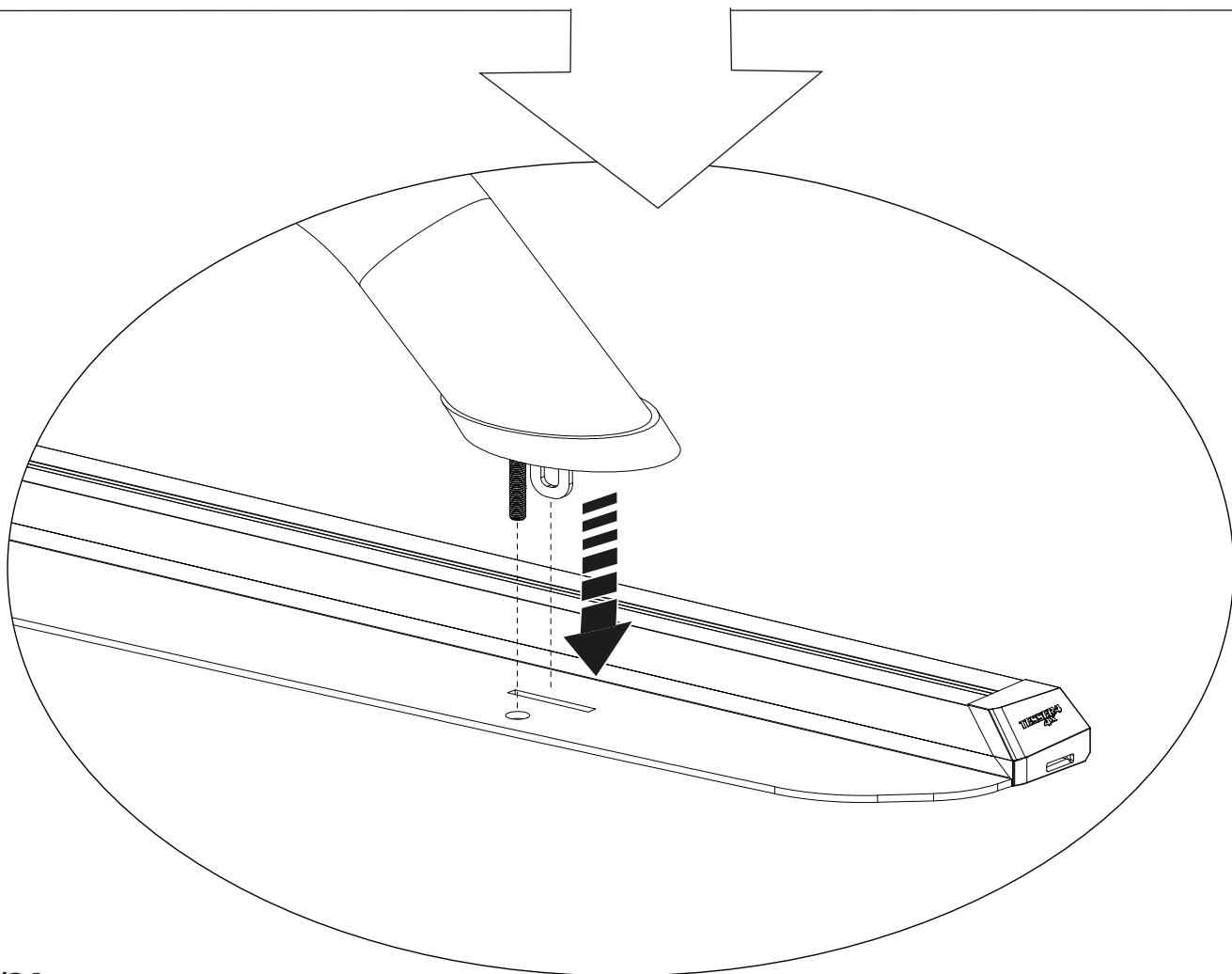
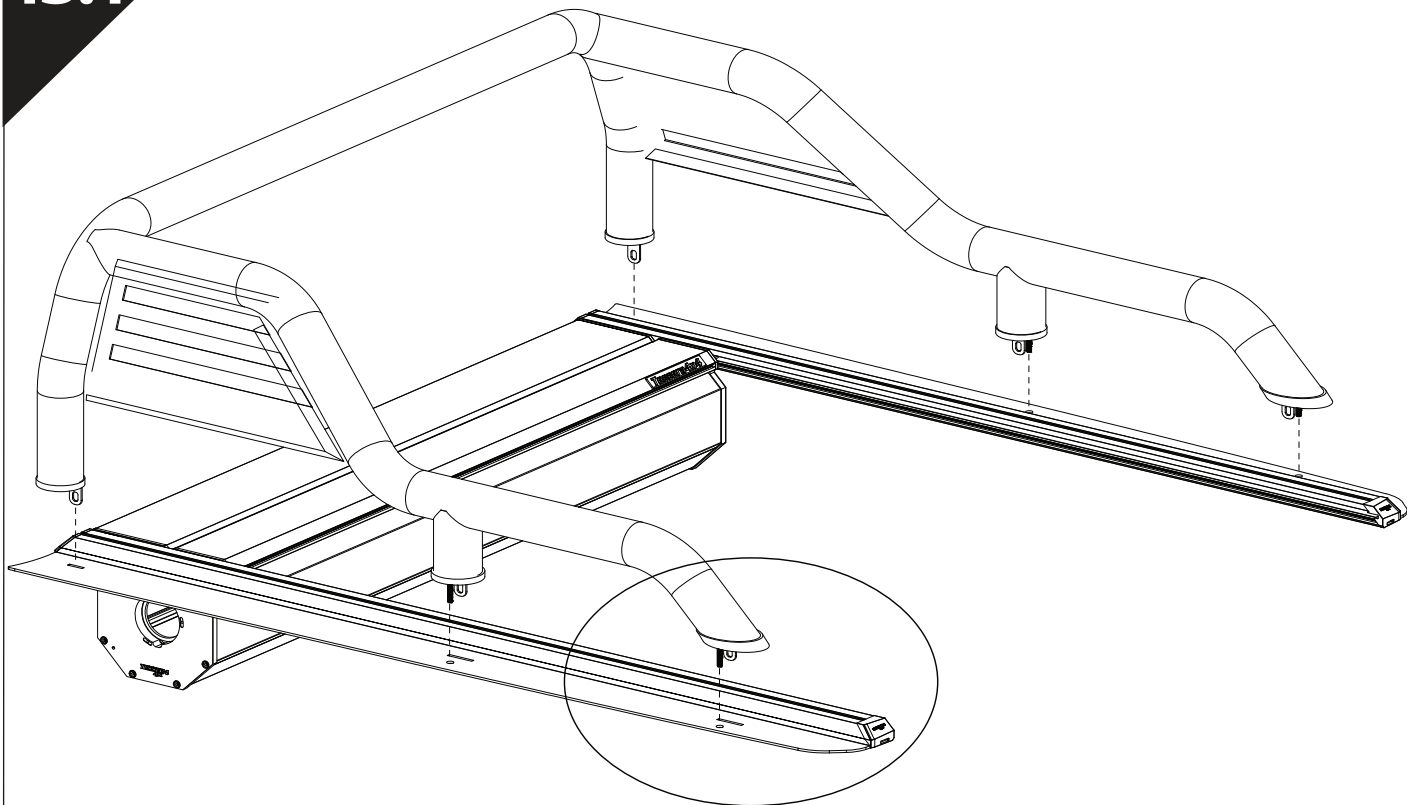


10 mm , 13 mm

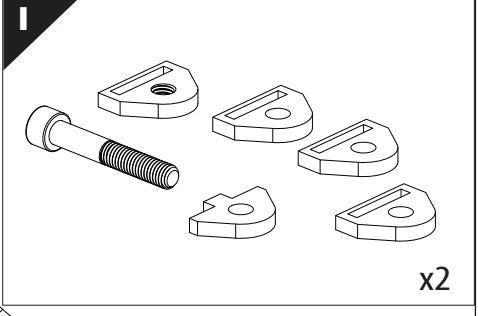




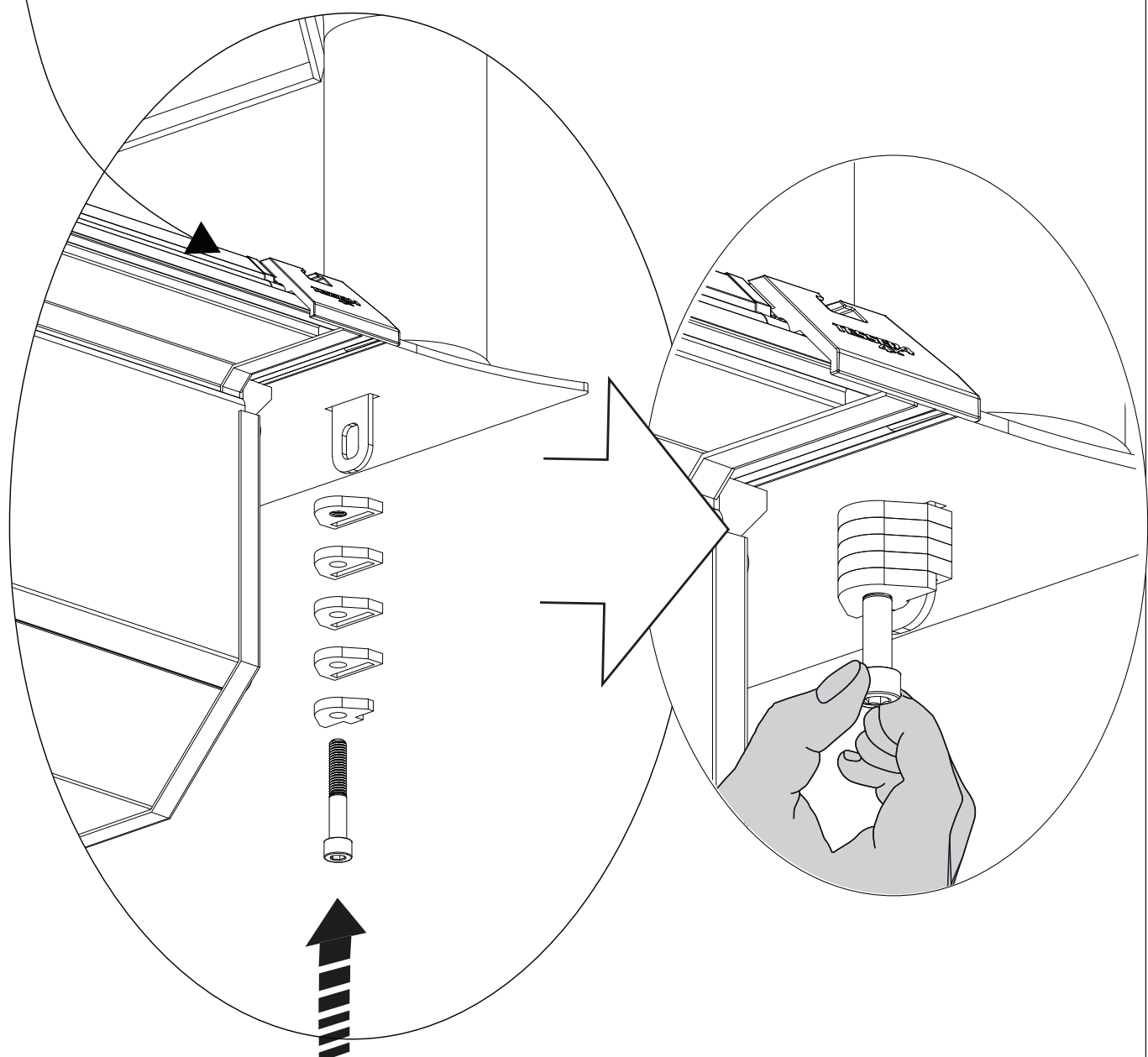
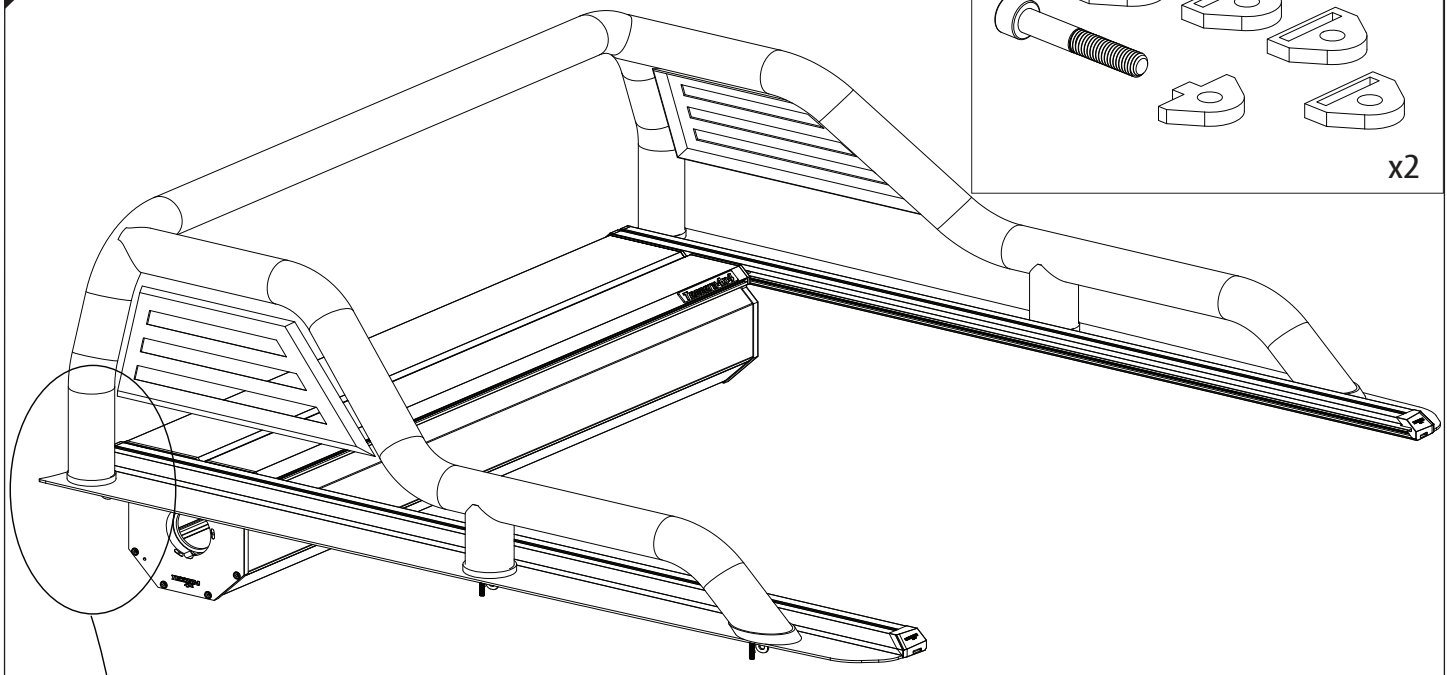


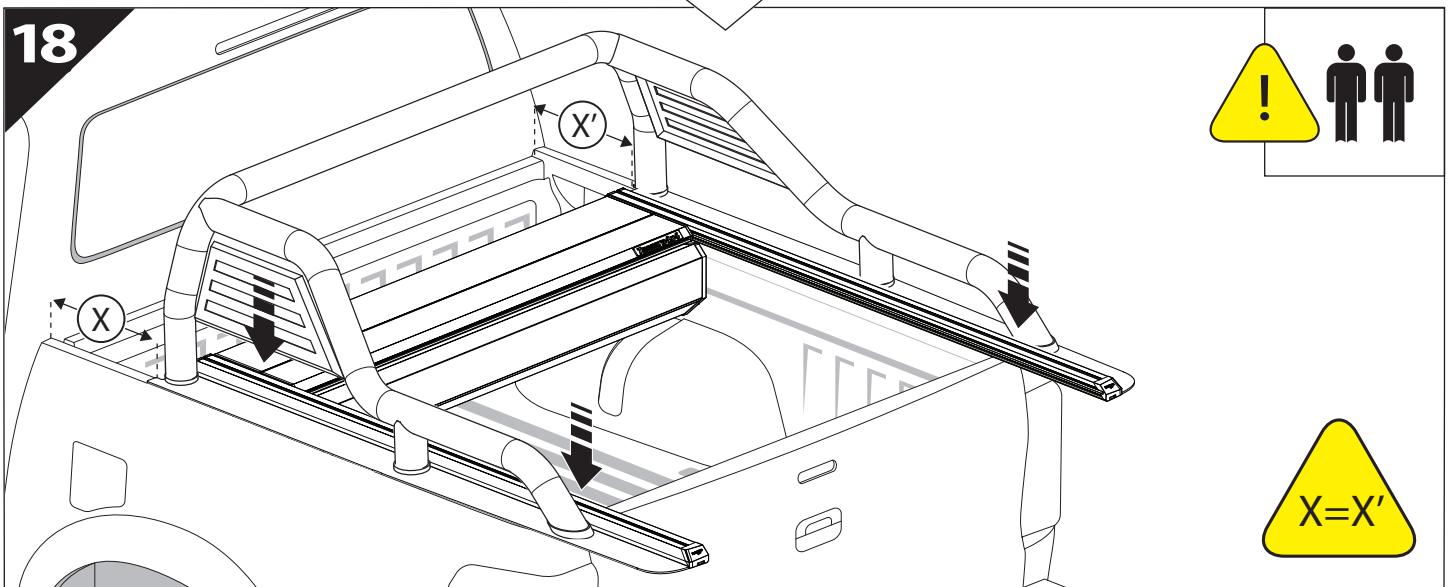
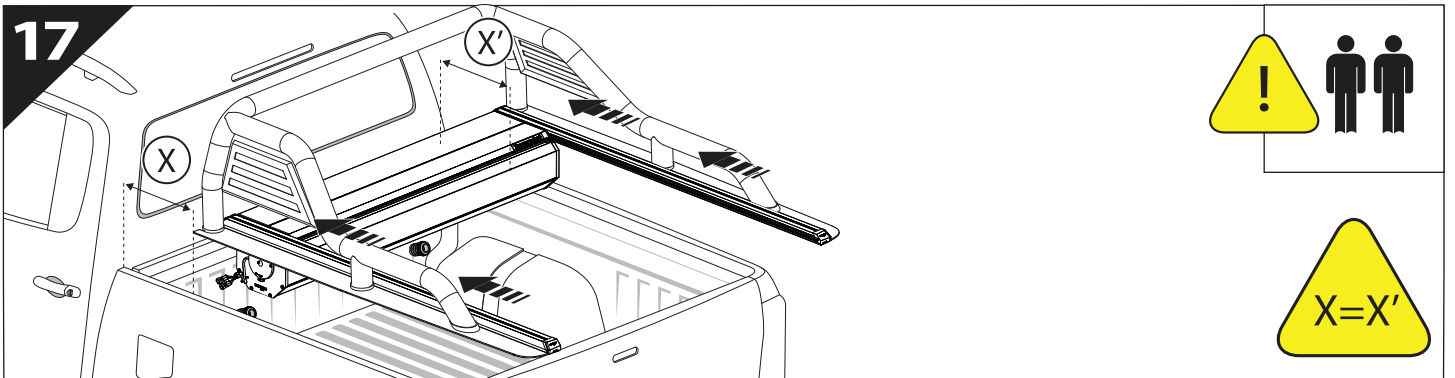
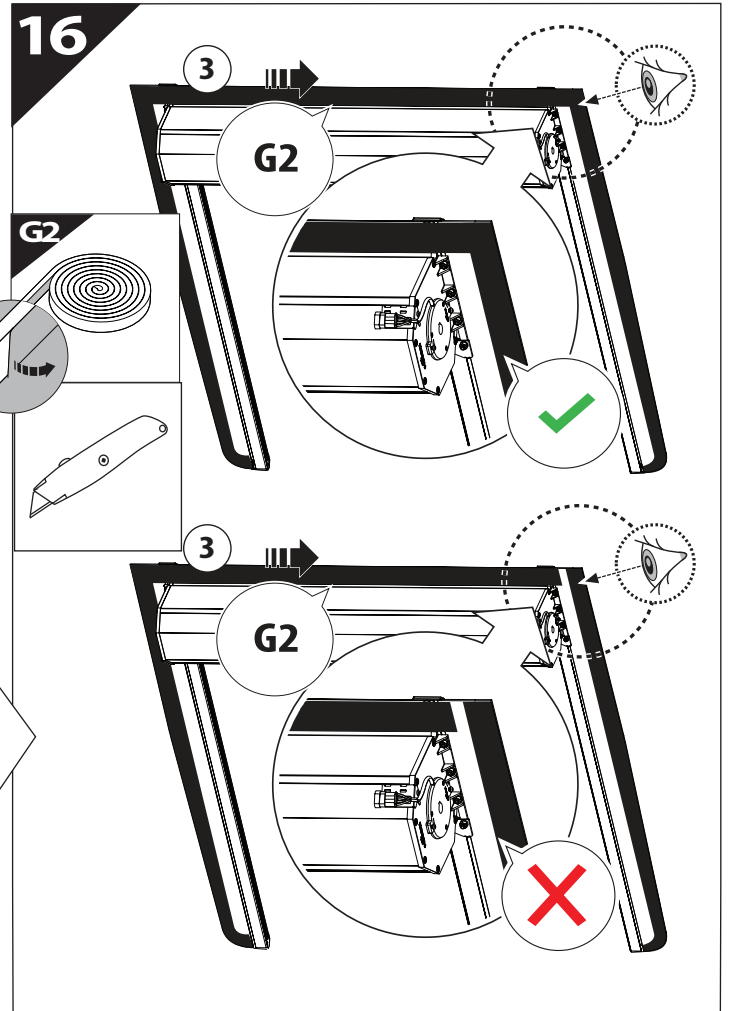
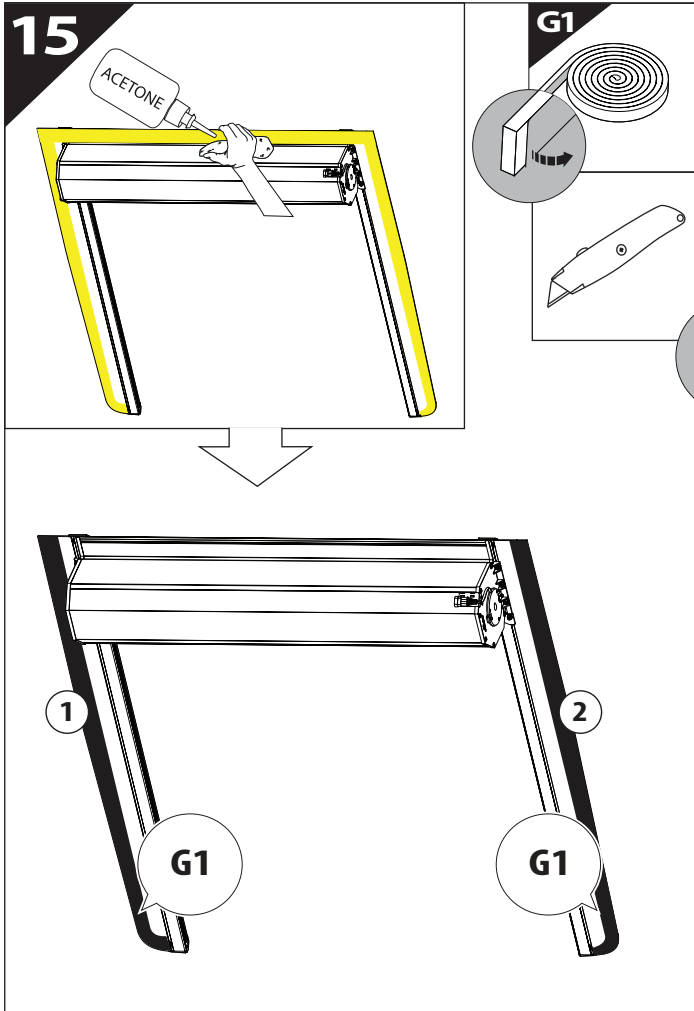


14

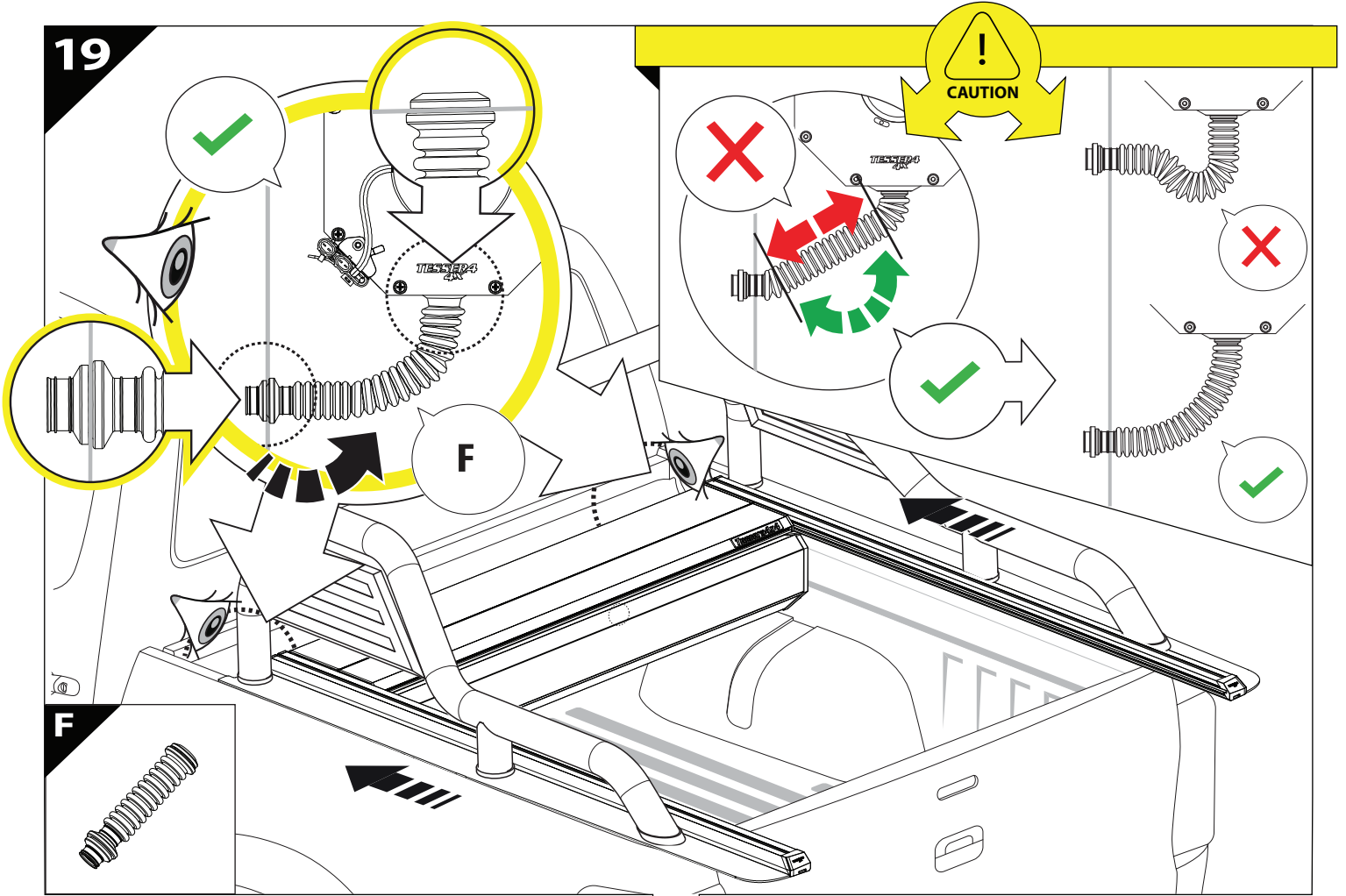


x2

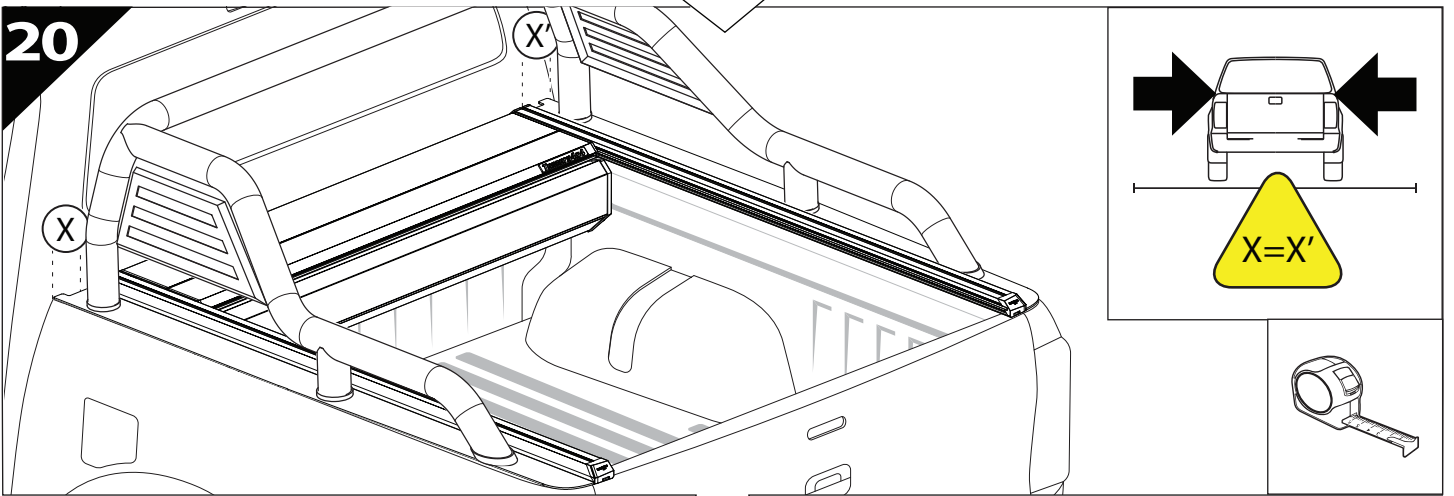




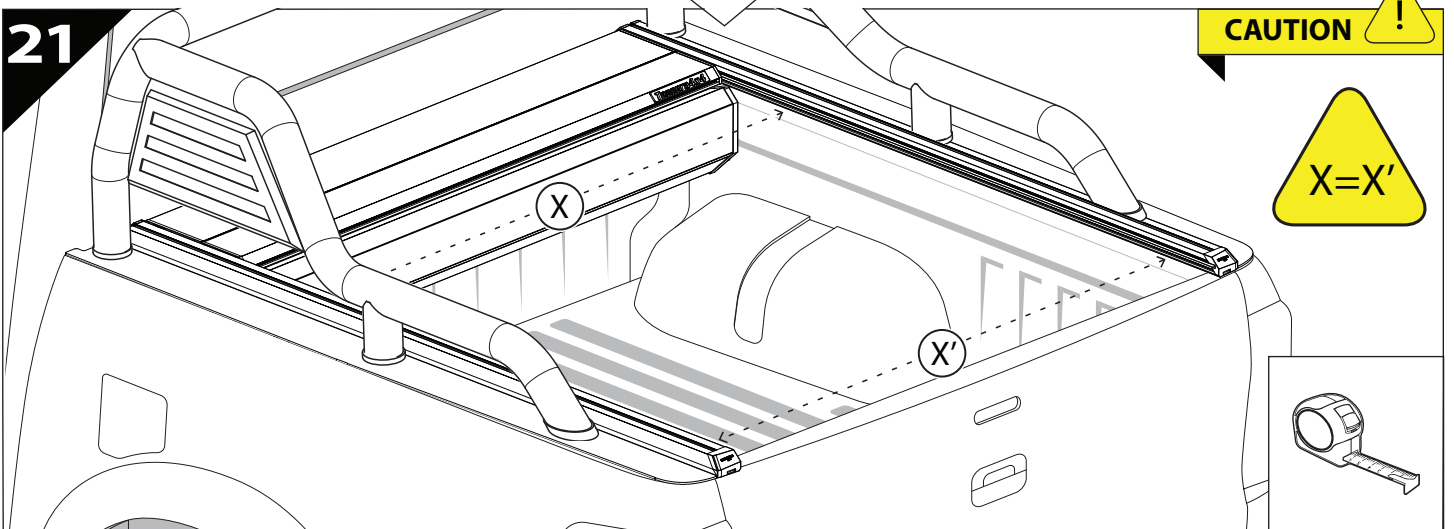
19

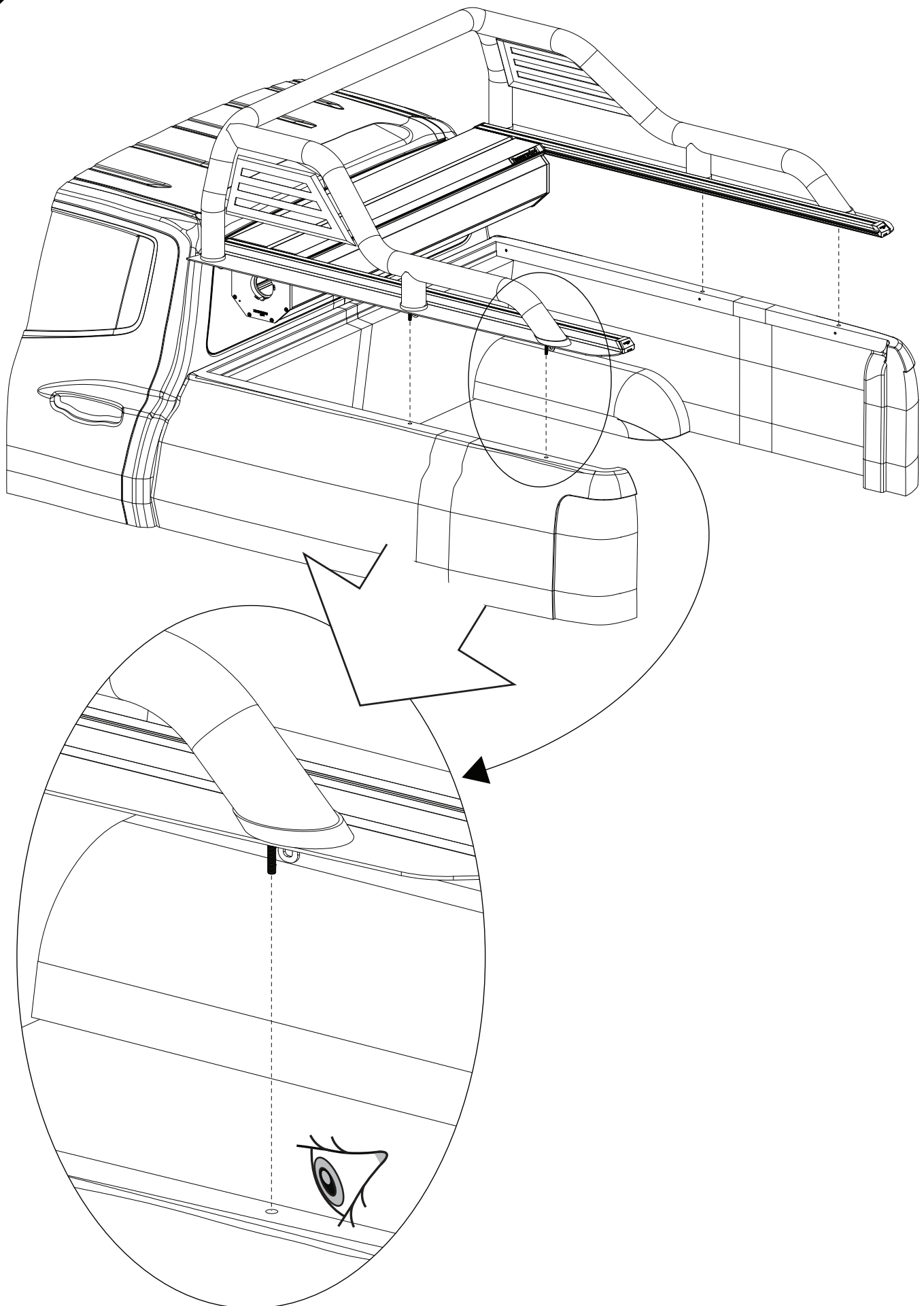


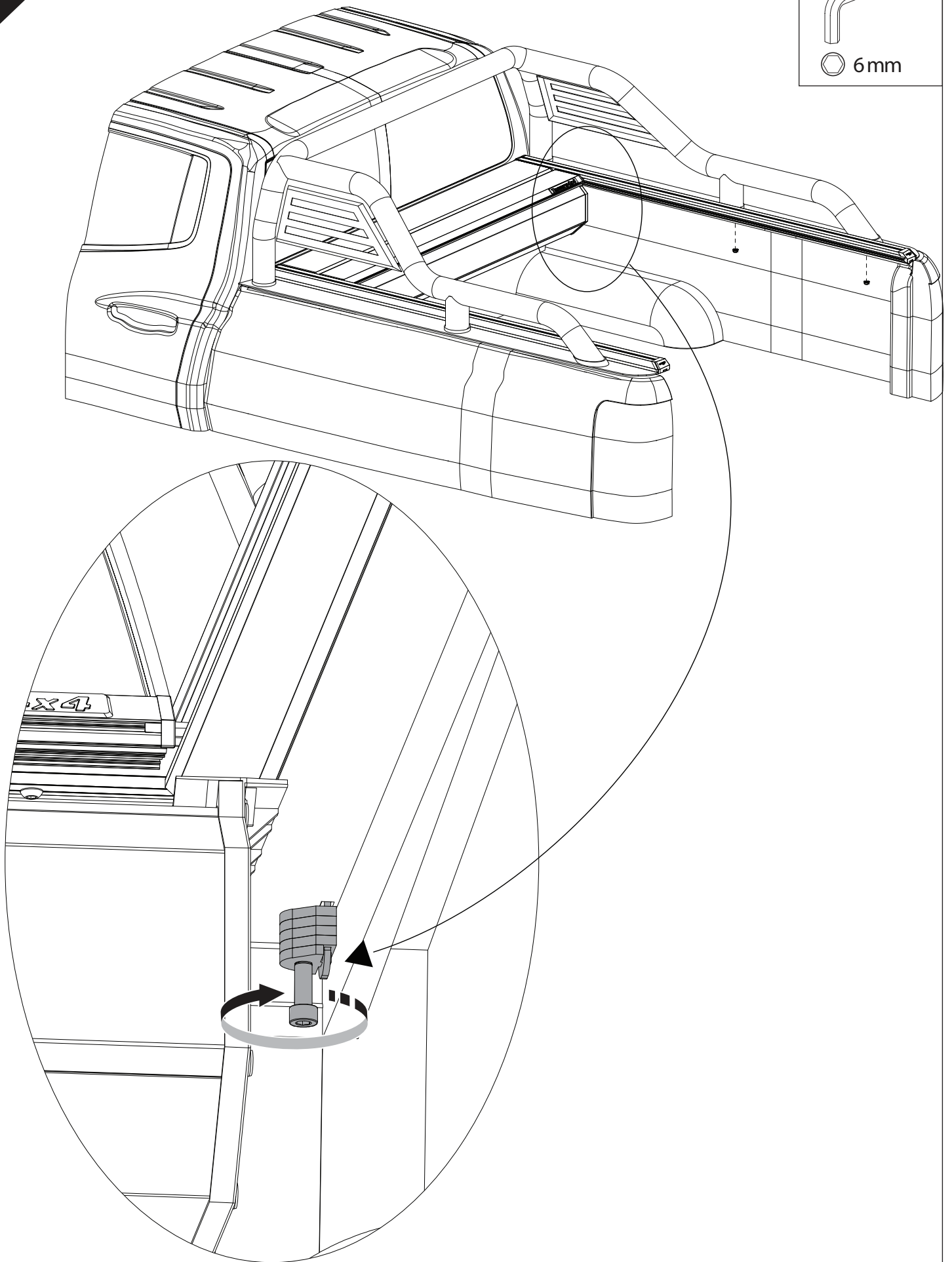
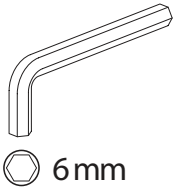
20

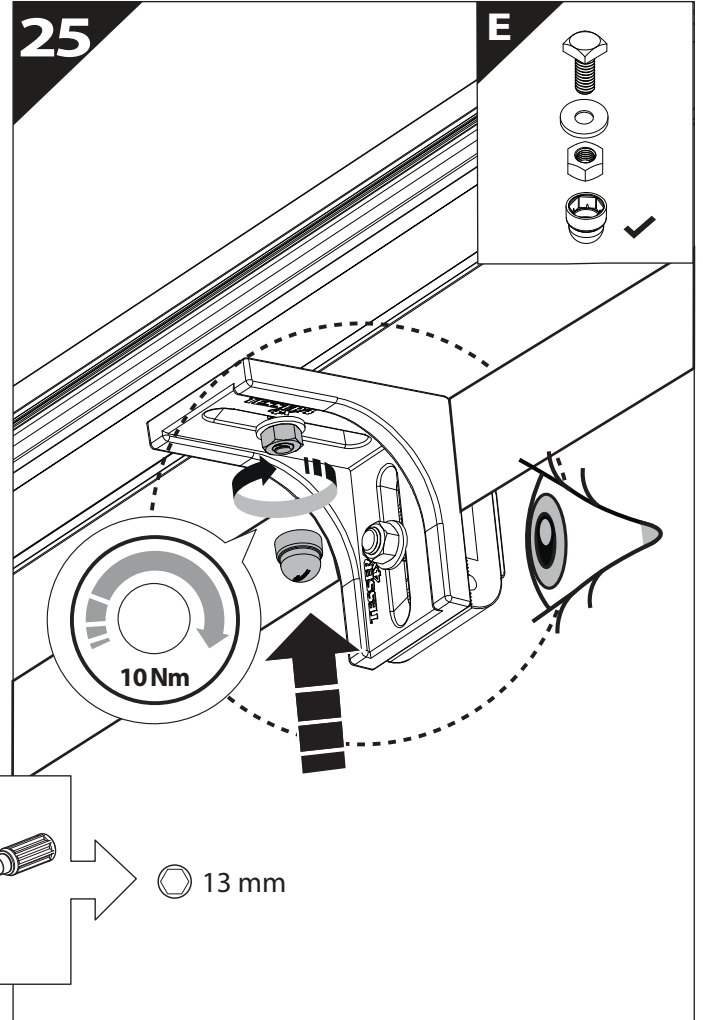
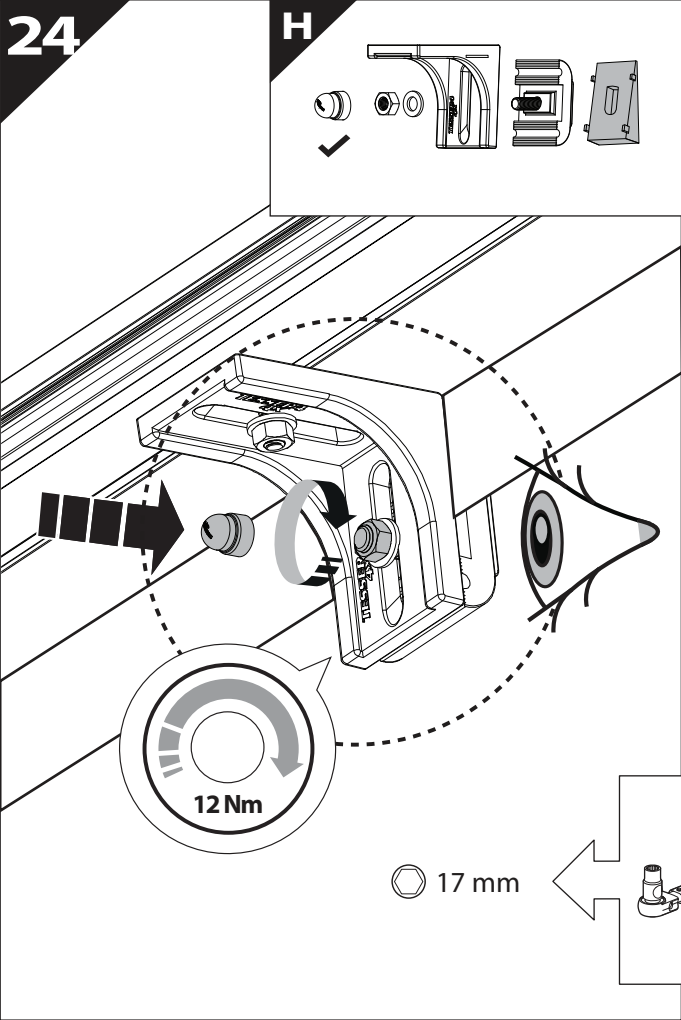


21

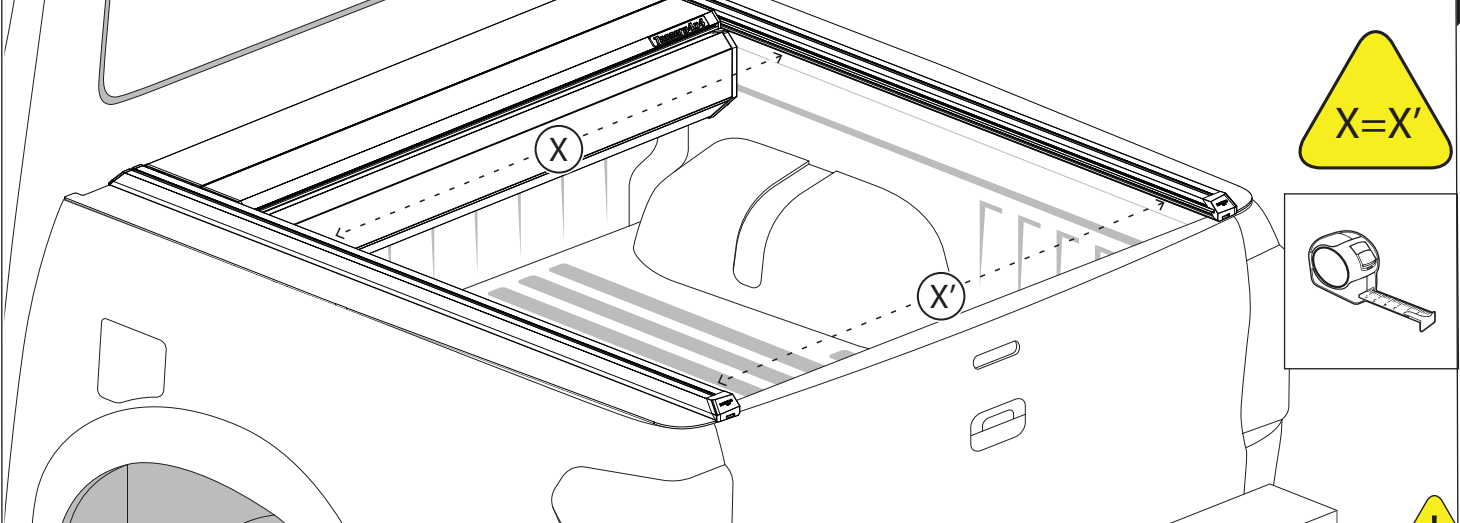




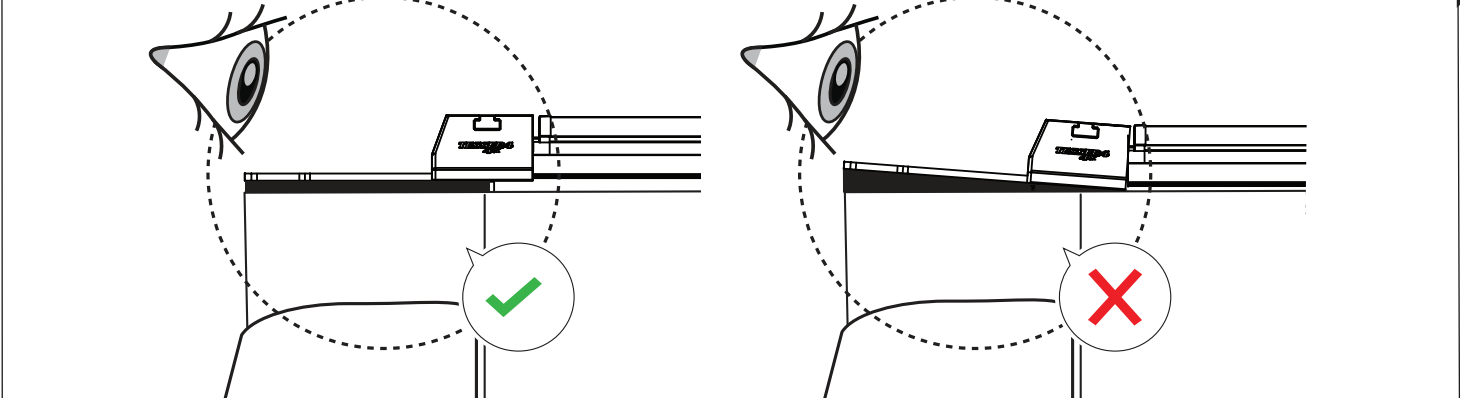


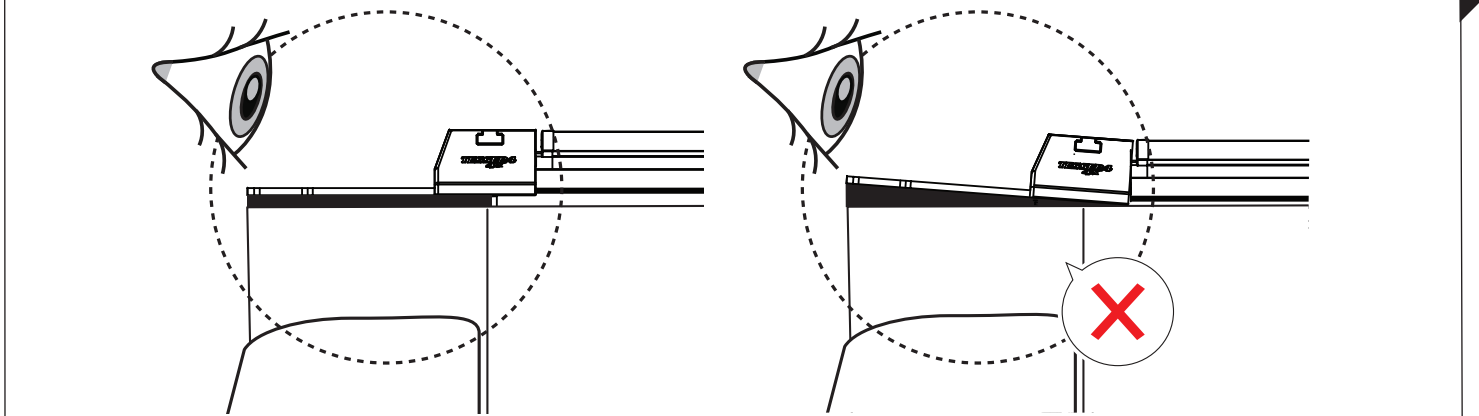
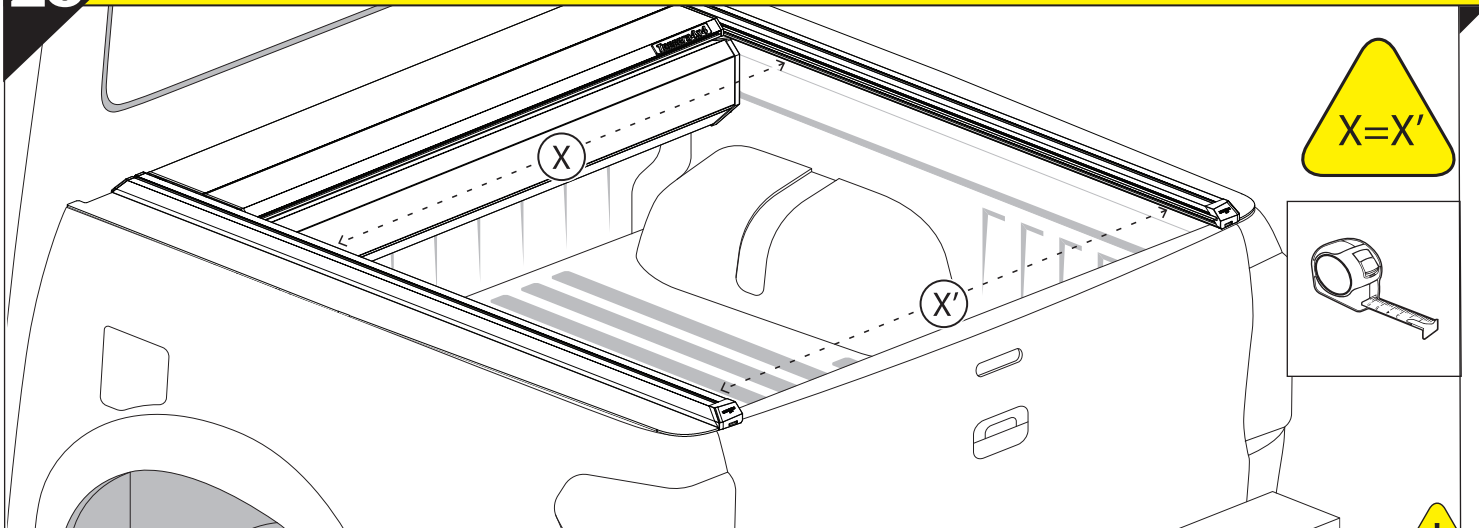


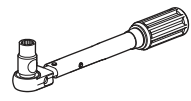
**CAUTION !**



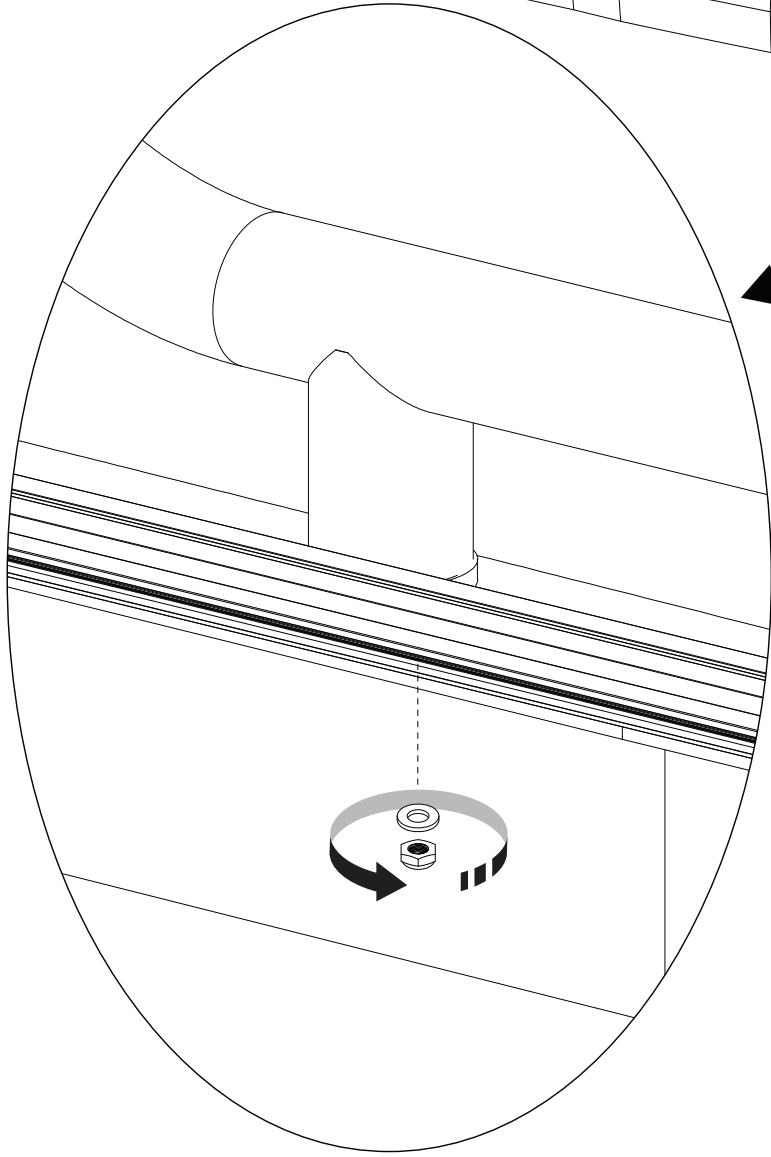
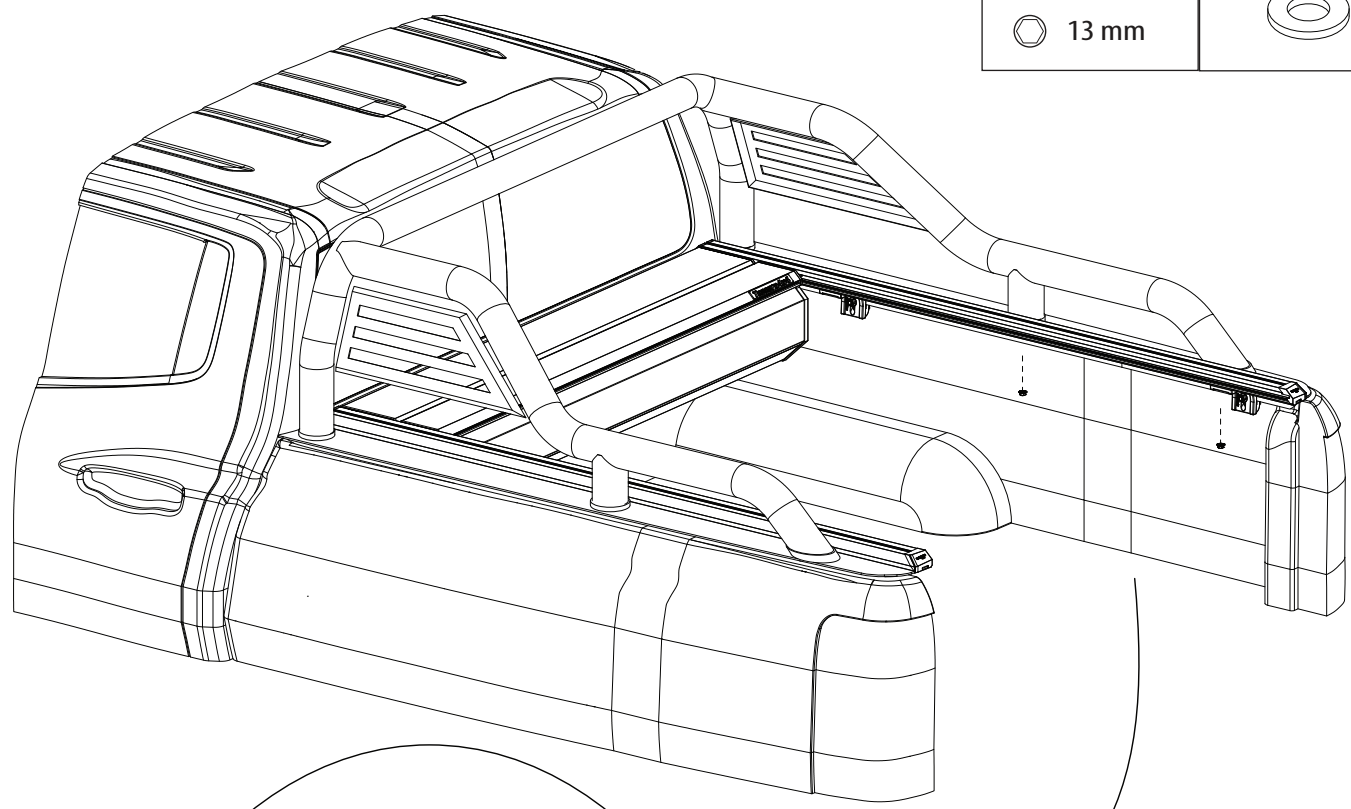
**CAUTION !**

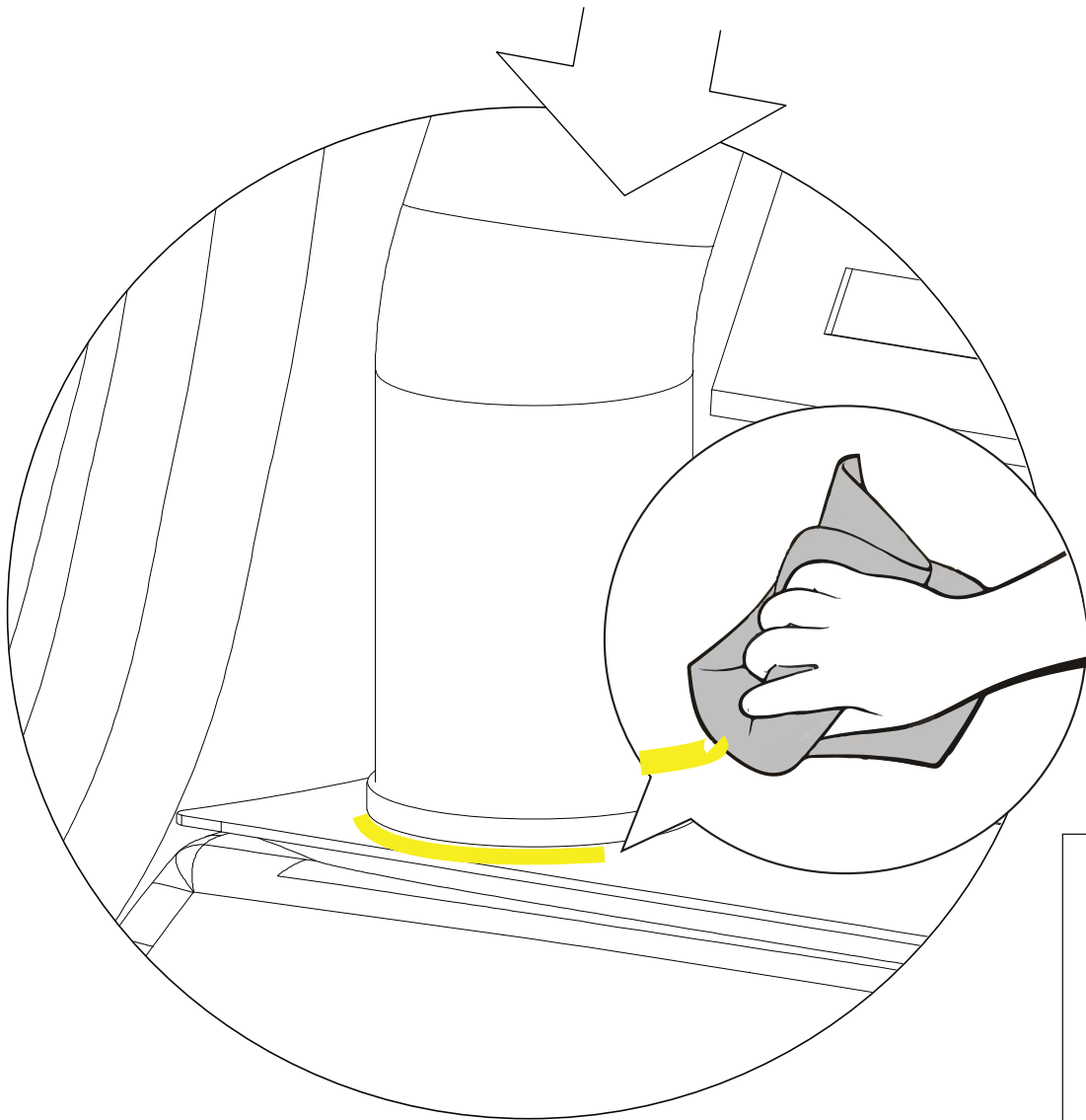
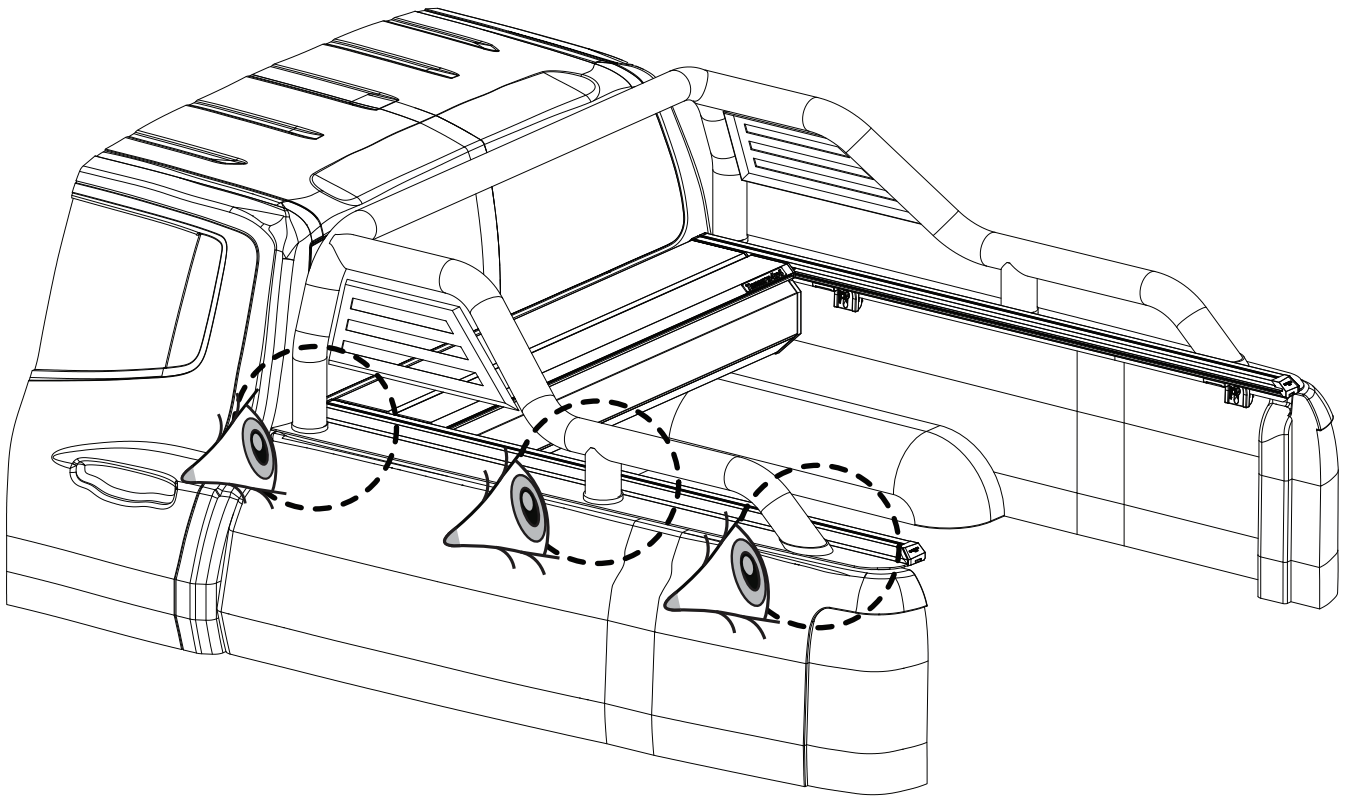


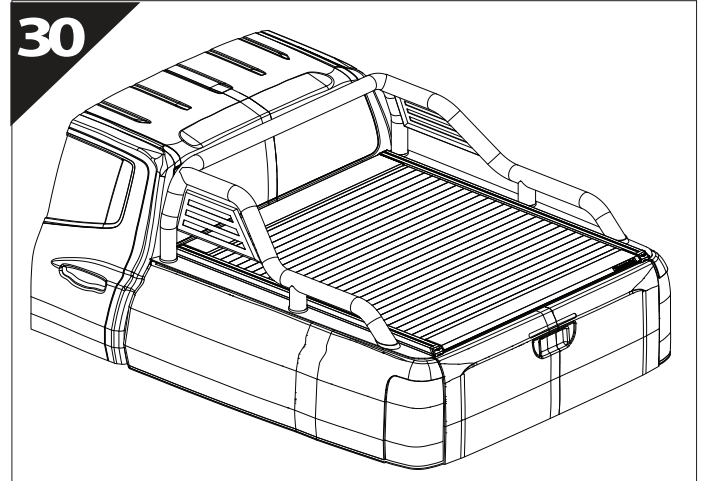
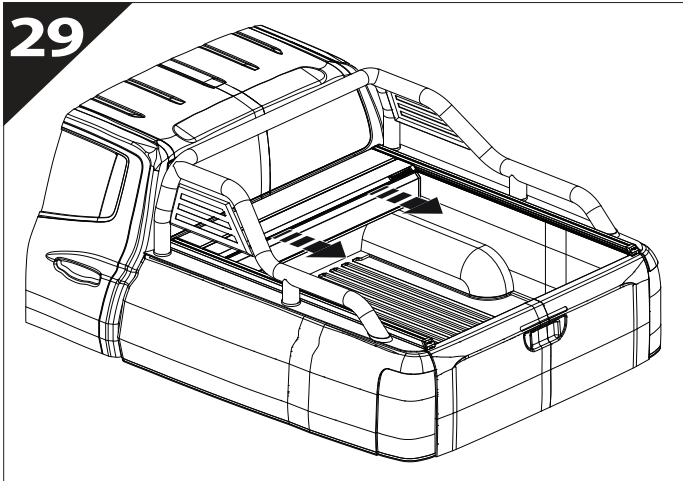




13 mm







**GR:** Οδηγίες Εγκατάστασης  
**GB:** Installation manual  
**SF:** Asennusohje  
**F:** Notice de montage  
**PL:** Instrukcja montażu  
**NL:** Installatie-instructies  
**TR:** Montaj Talimatı  
**S:** Monteringsanvisning  
**E:** Instrucciones de montaje

**H:** Szerelési utasítás  
**P:** Instruções de instalação  
**RUS:** Инструкция по установке  
**N:** Monteringsveiledning  
**D:** Einbauanleitung  
**CZ:** Návod k instalaci  
**I:** Istruzioni de montaggio  
**DK:** Monteringsvejledning  
**RO:** Instructiuni de instalare

Customer Service:

+30 (210) 5541161, +30 (210) 5541154 (08:00 - 16:00 EET)

Support department:

[info@gianso.gr](mailto:info@gianso.gr)

Website:

[www.tessera4x4.com](http://www.tessera4x4.com)

Address:

19.5 km of National road Athens-Korinthos (Elefsina) Greece, P.C: 19200