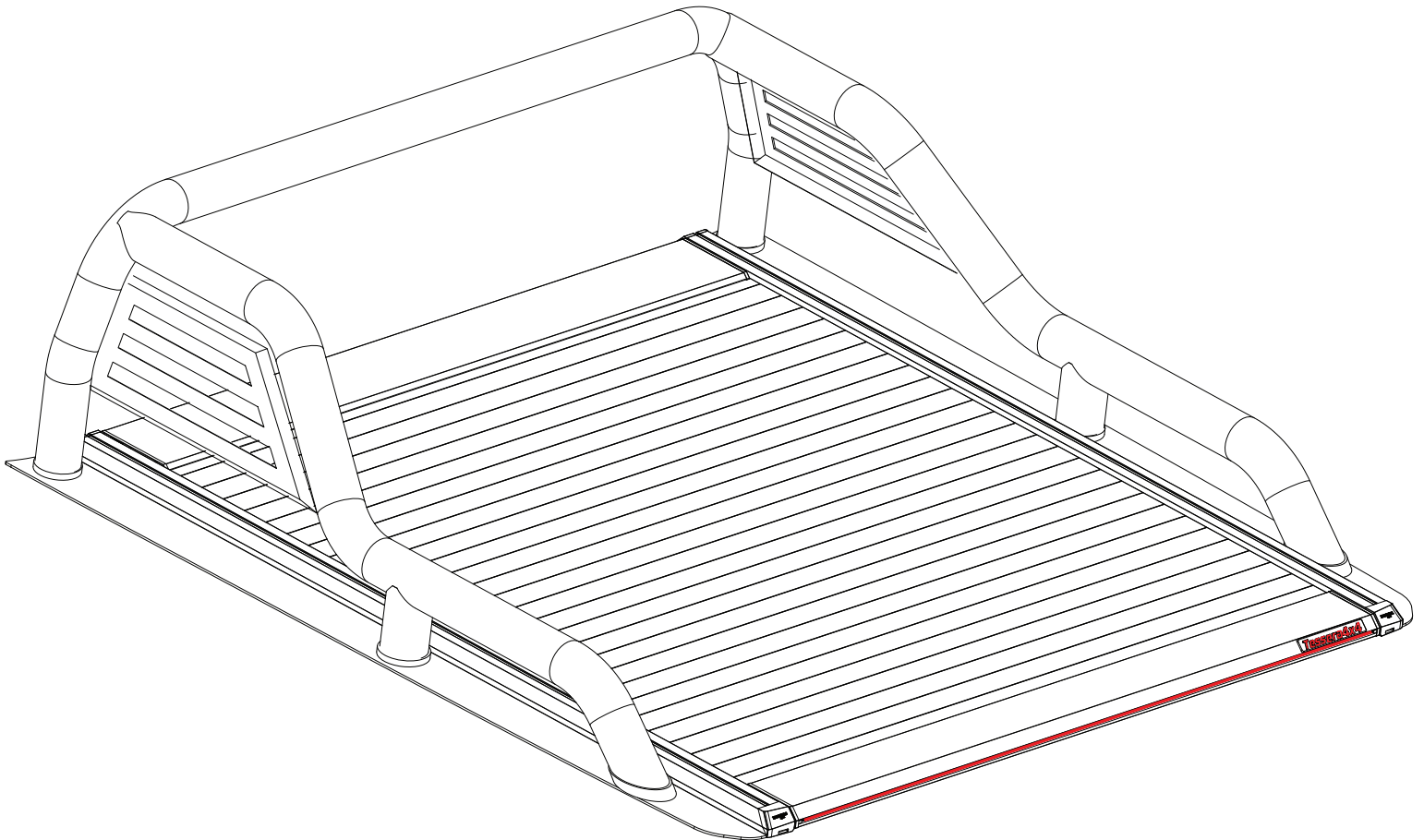


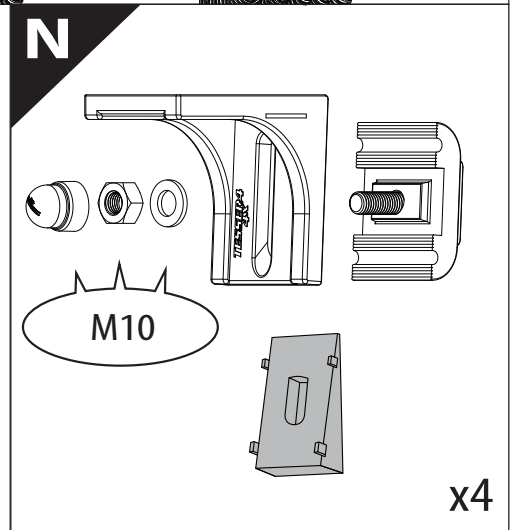
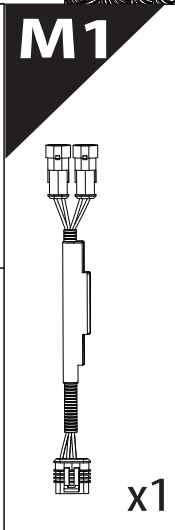
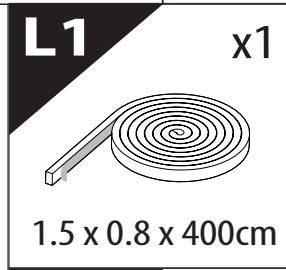
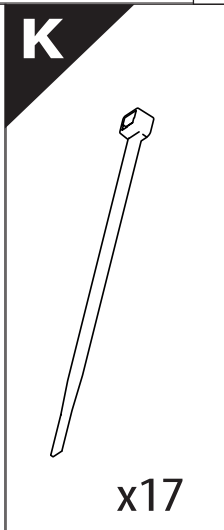
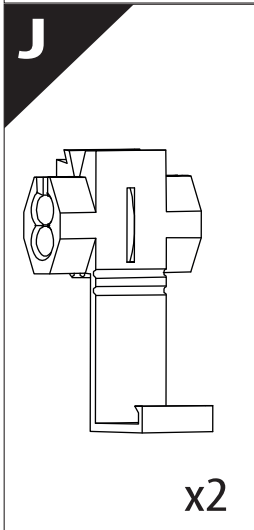
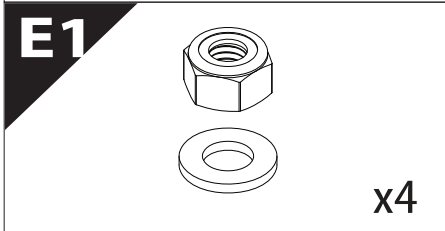
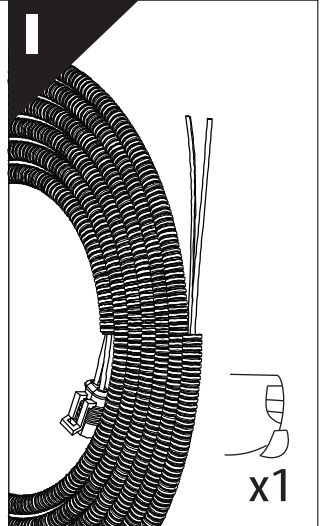
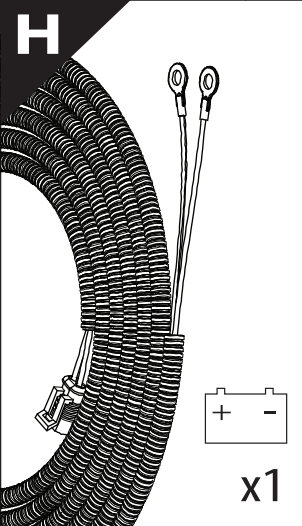
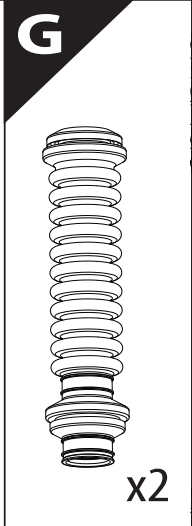
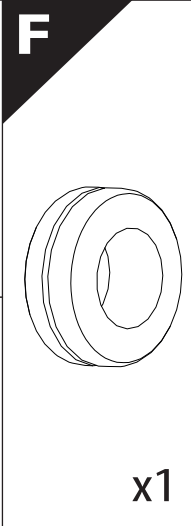
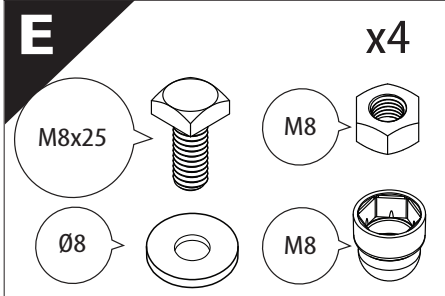
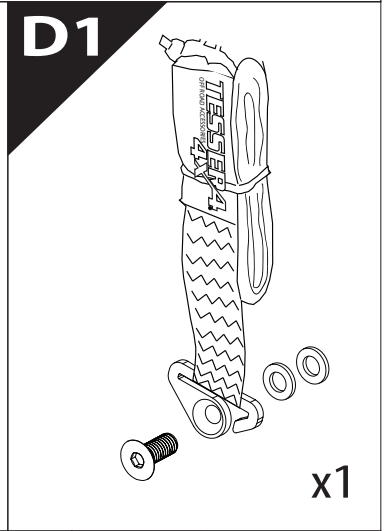
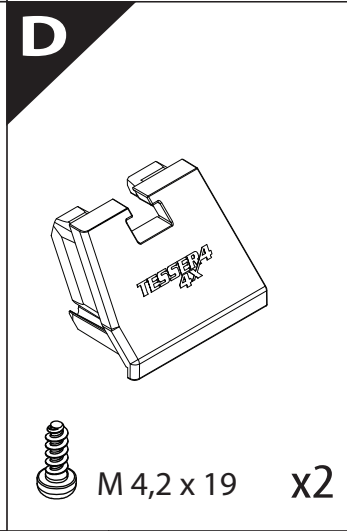
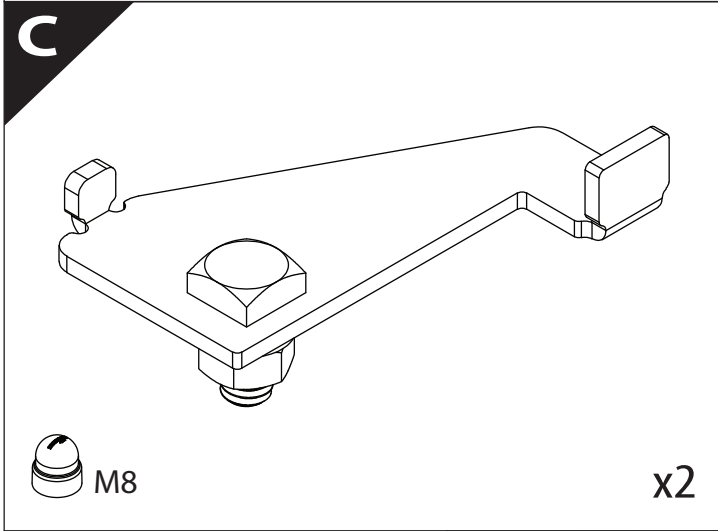
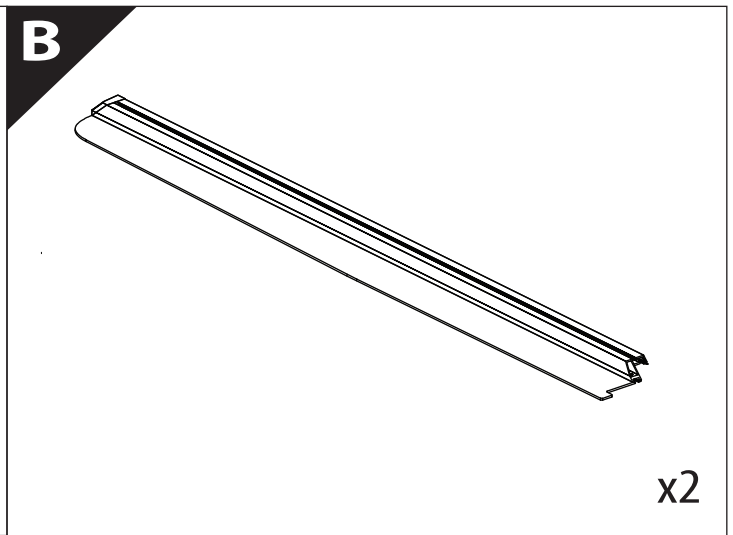
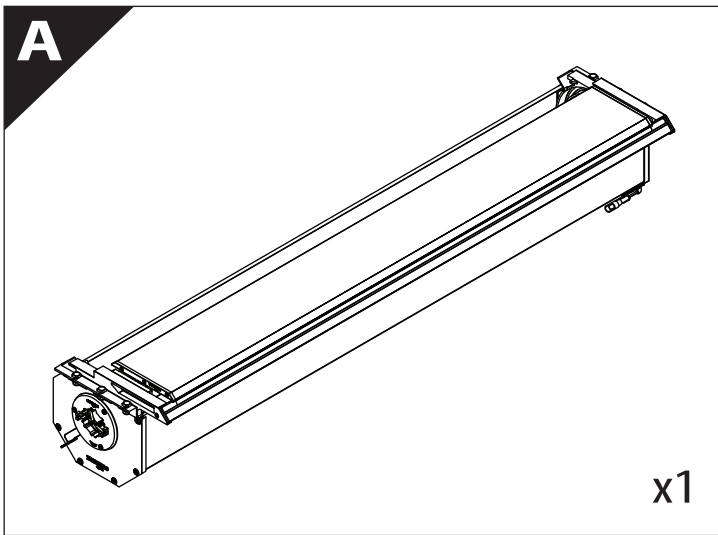
Tessera Roll+

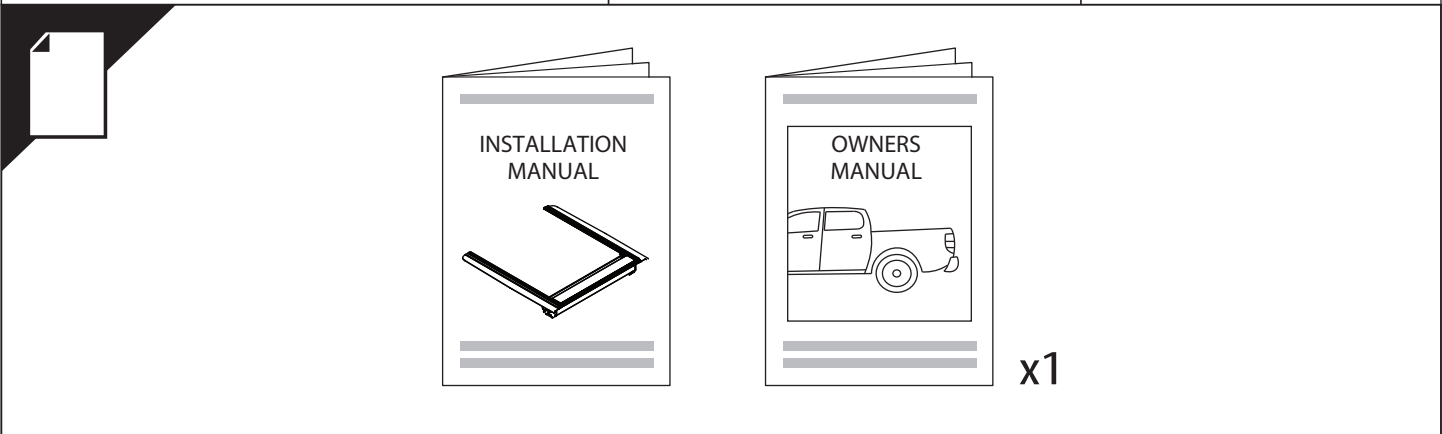
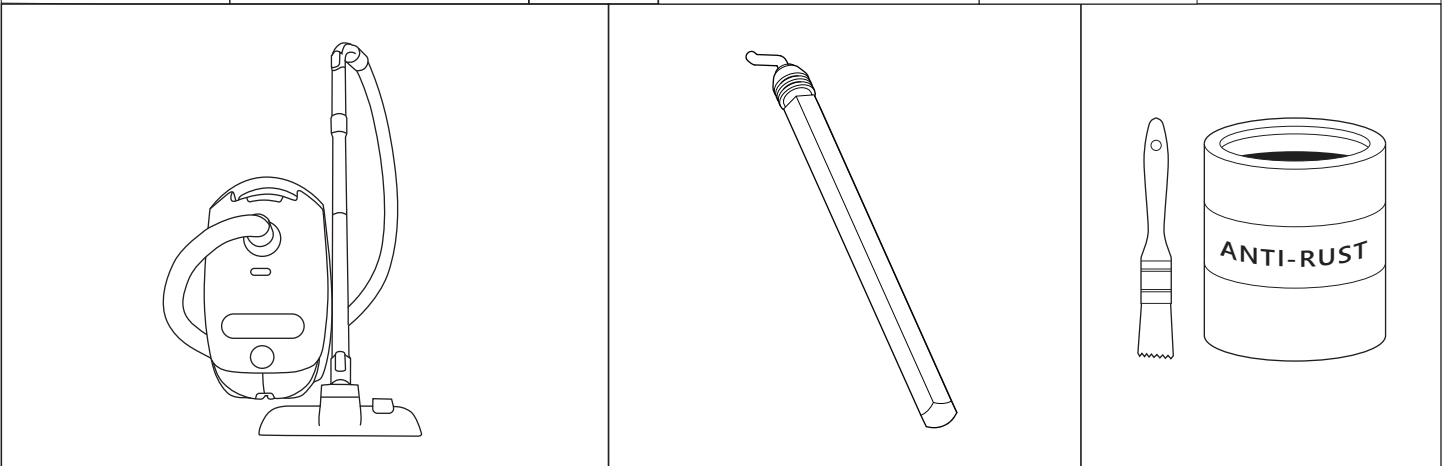
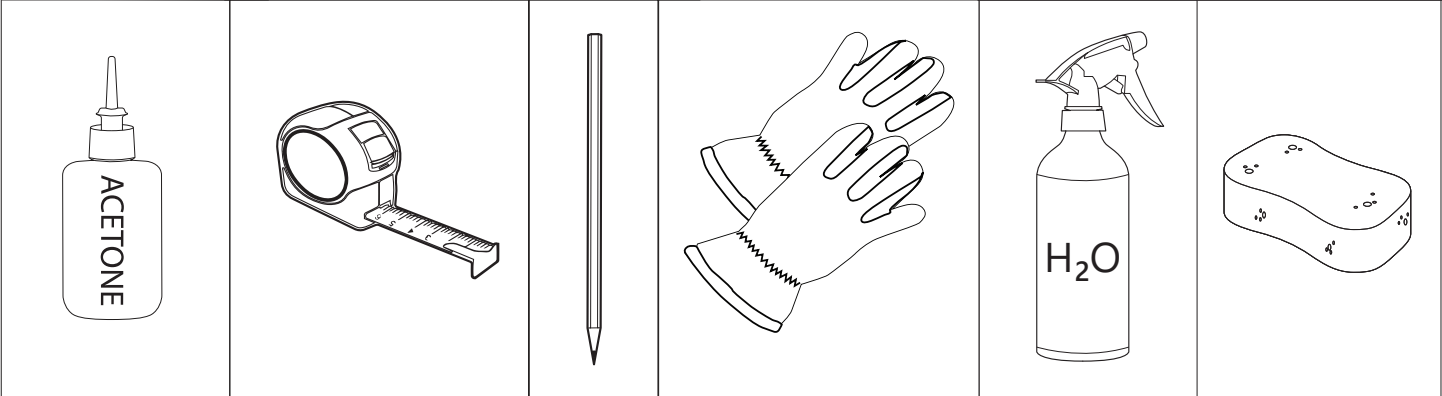
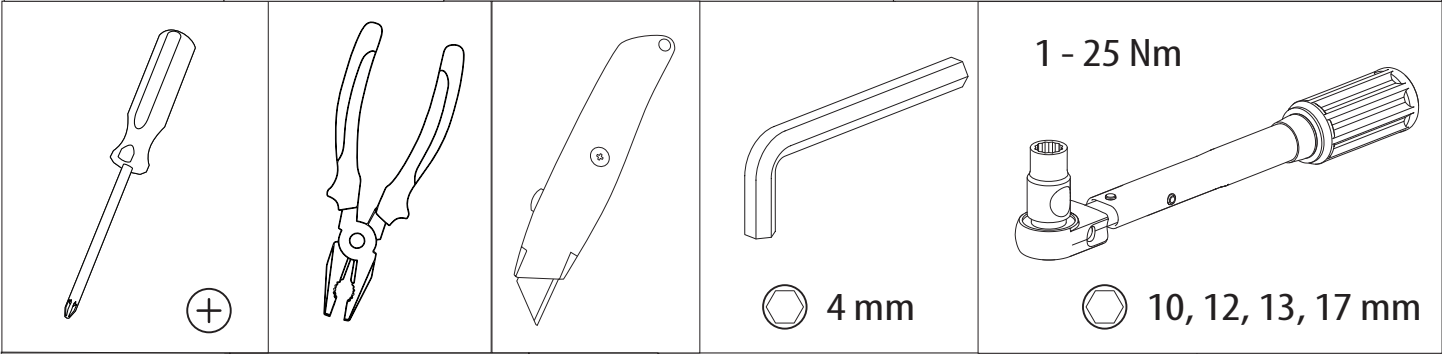
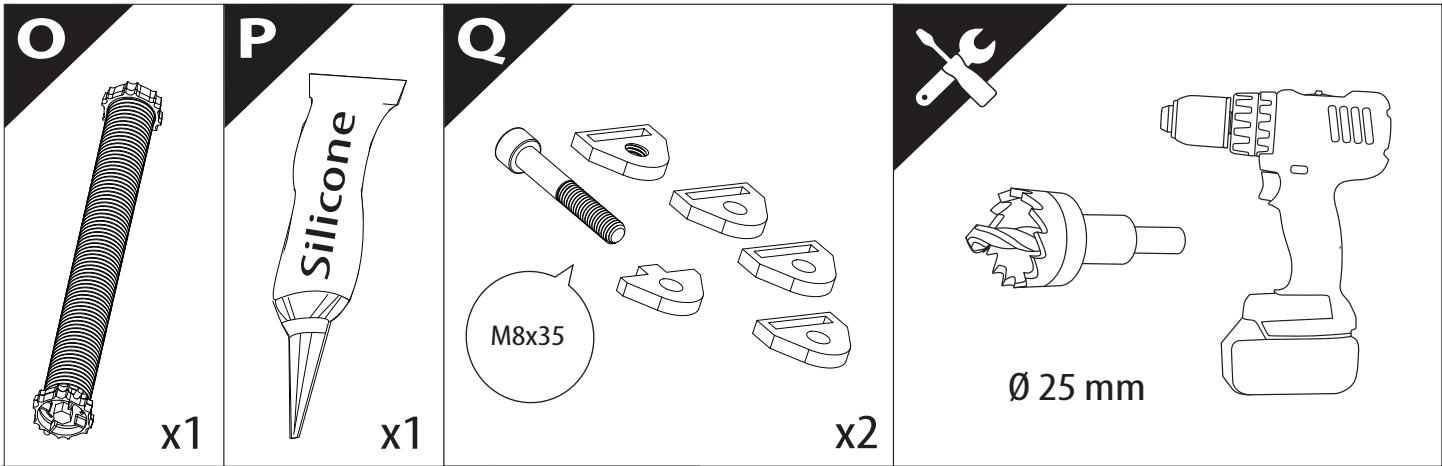
Basic Version + ⚙️ S-KIT

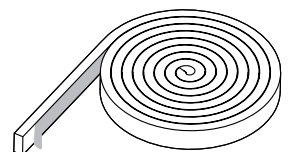
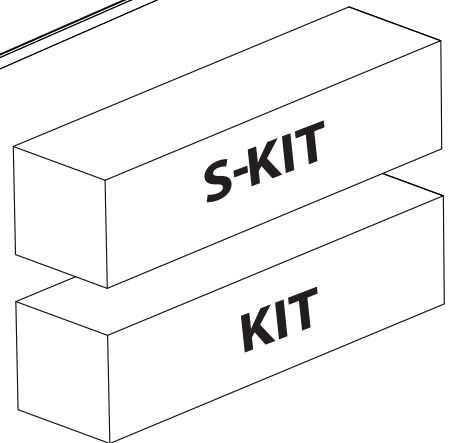
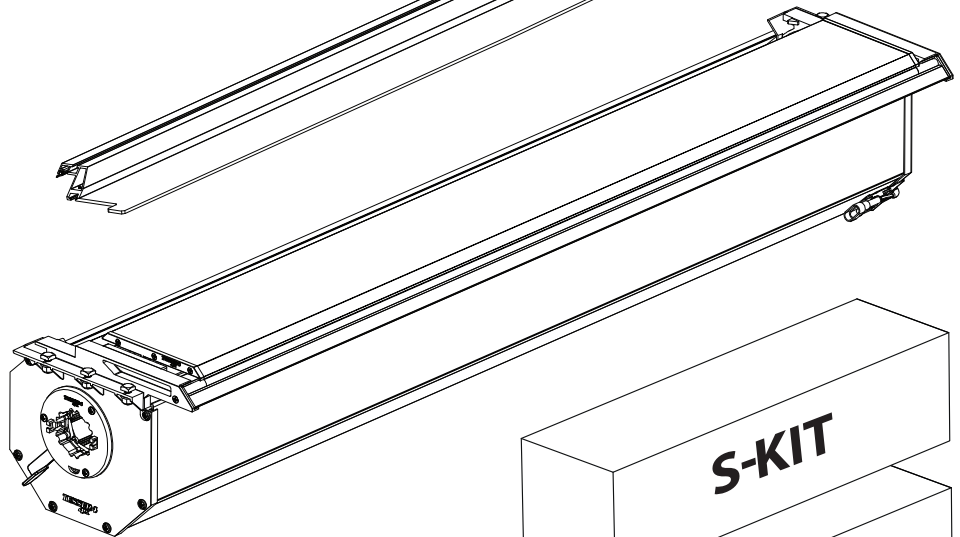
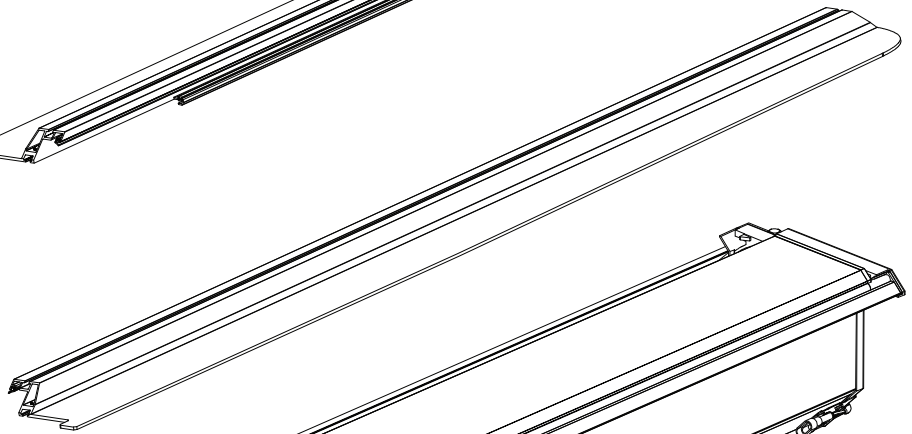
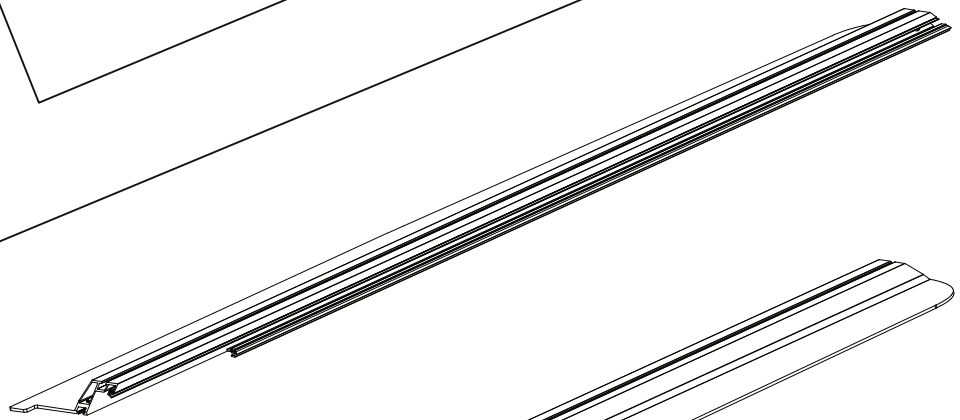
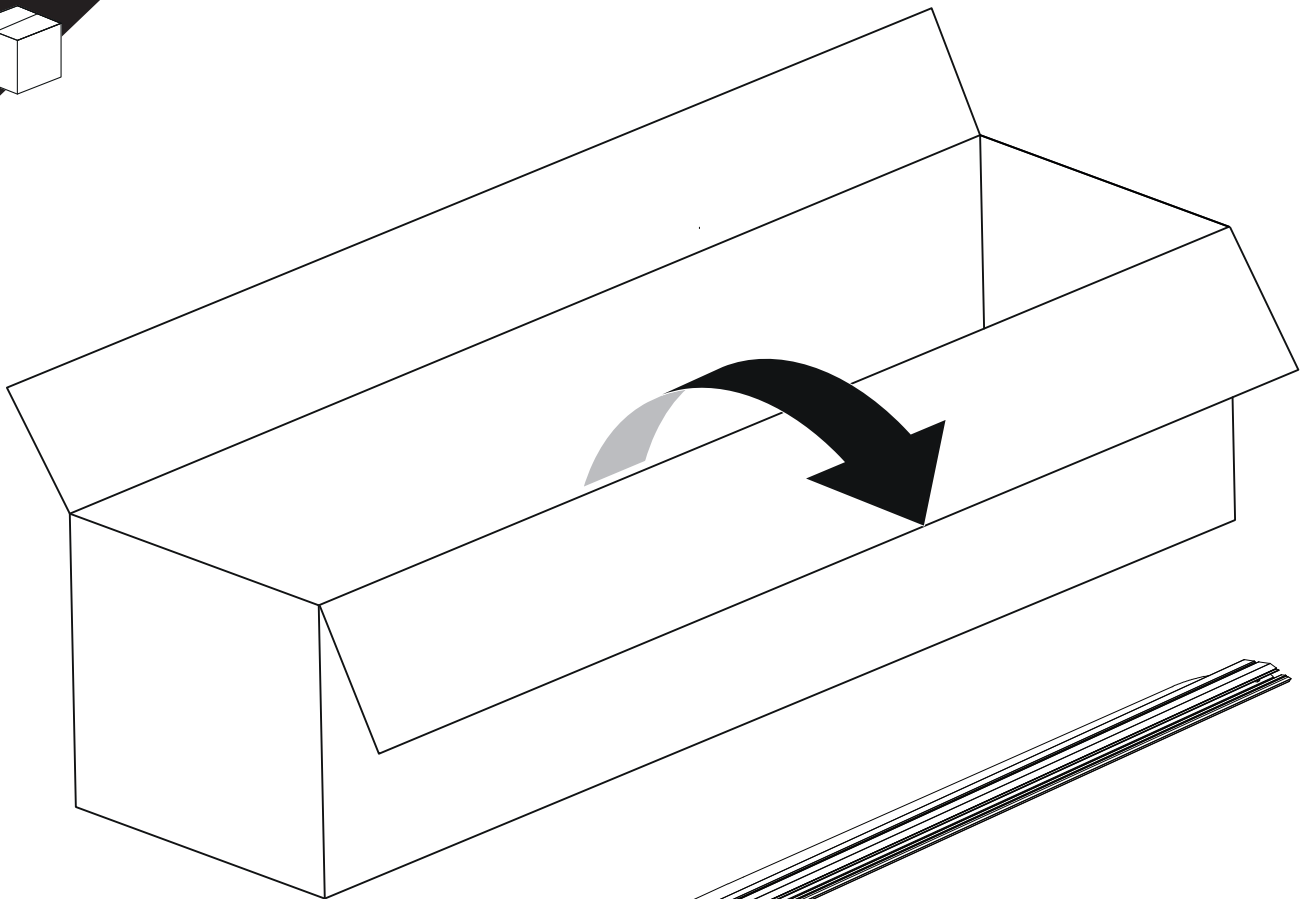


Installation Manual

PART NUMBER(S)	Model Year
TESS 14431 ROLL+ S-KIT	FOTON TUNLAND V9 WITH OEM ROLLBAR 2024+
Cab(s)	Installation Time / Weight
Double Cab	40-60 minutes / 53-57 kg





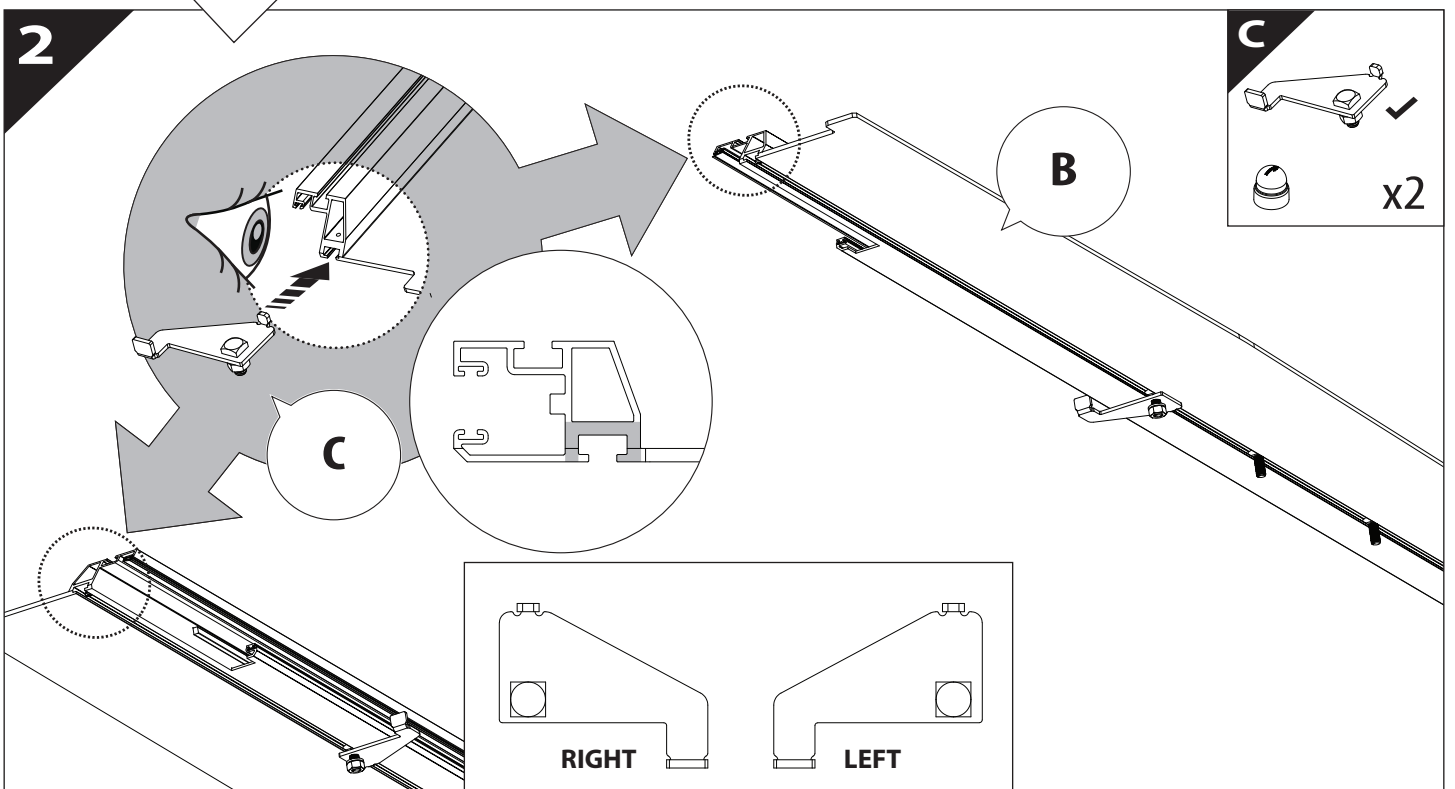
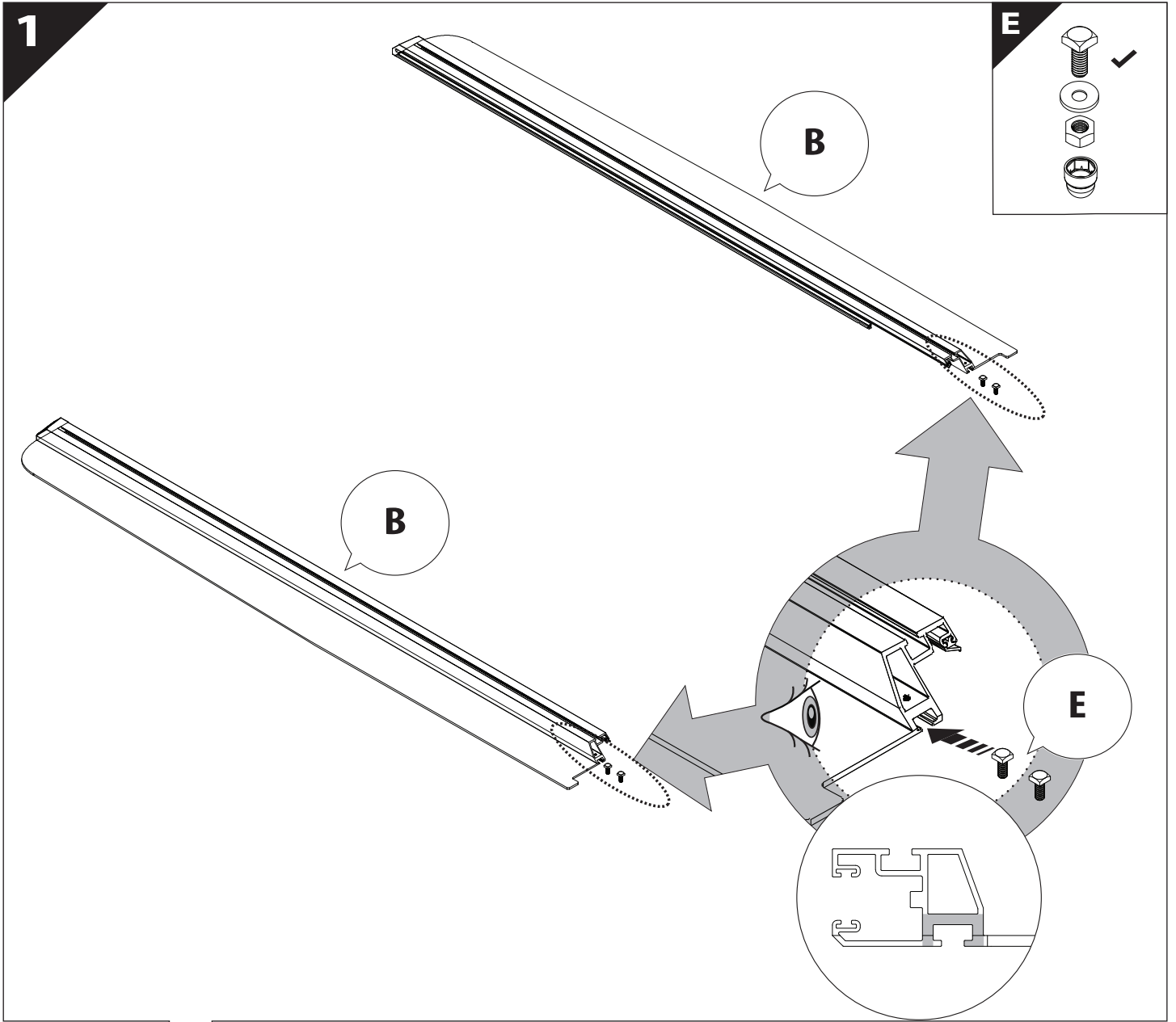


B

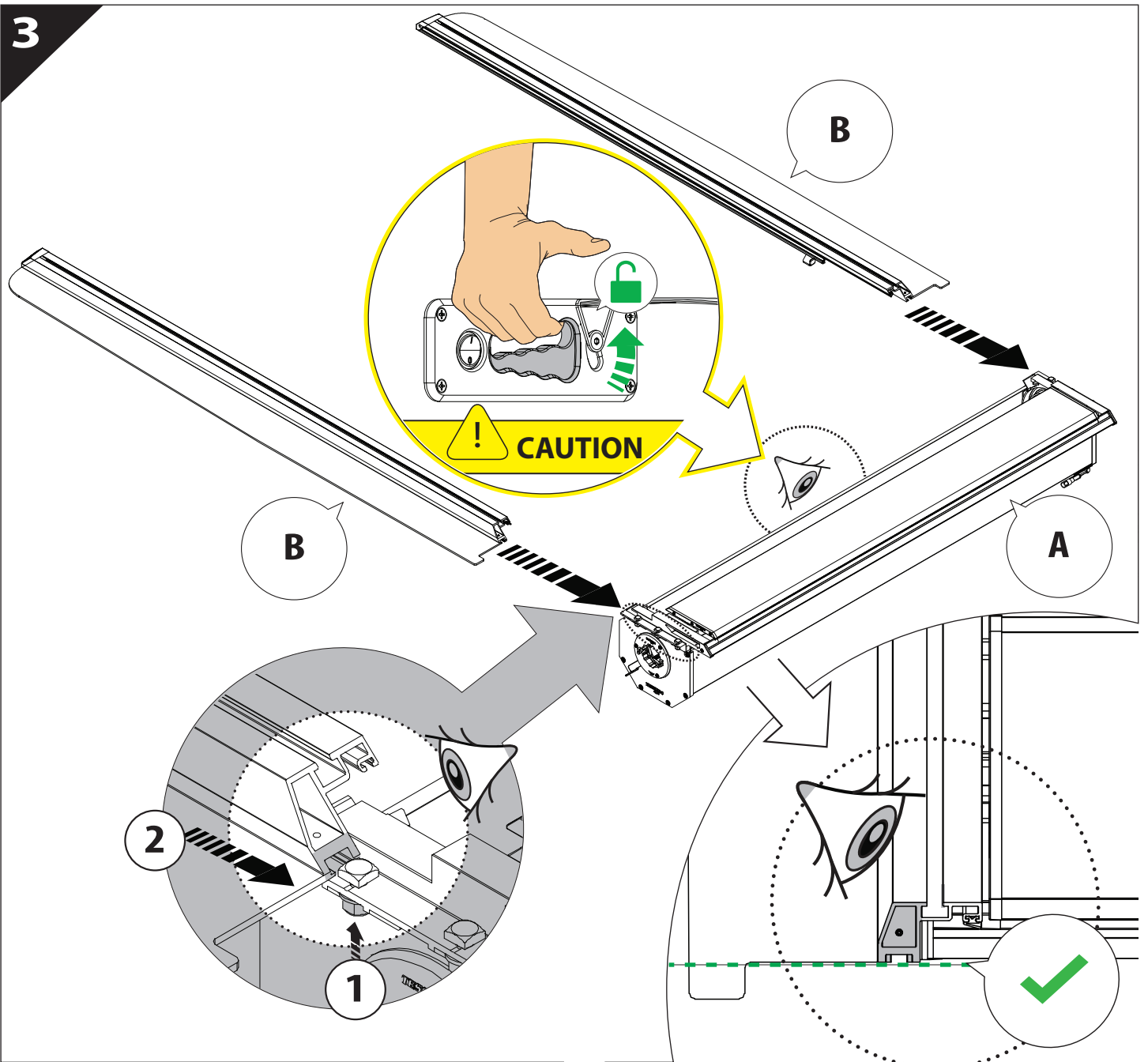
A

KITS

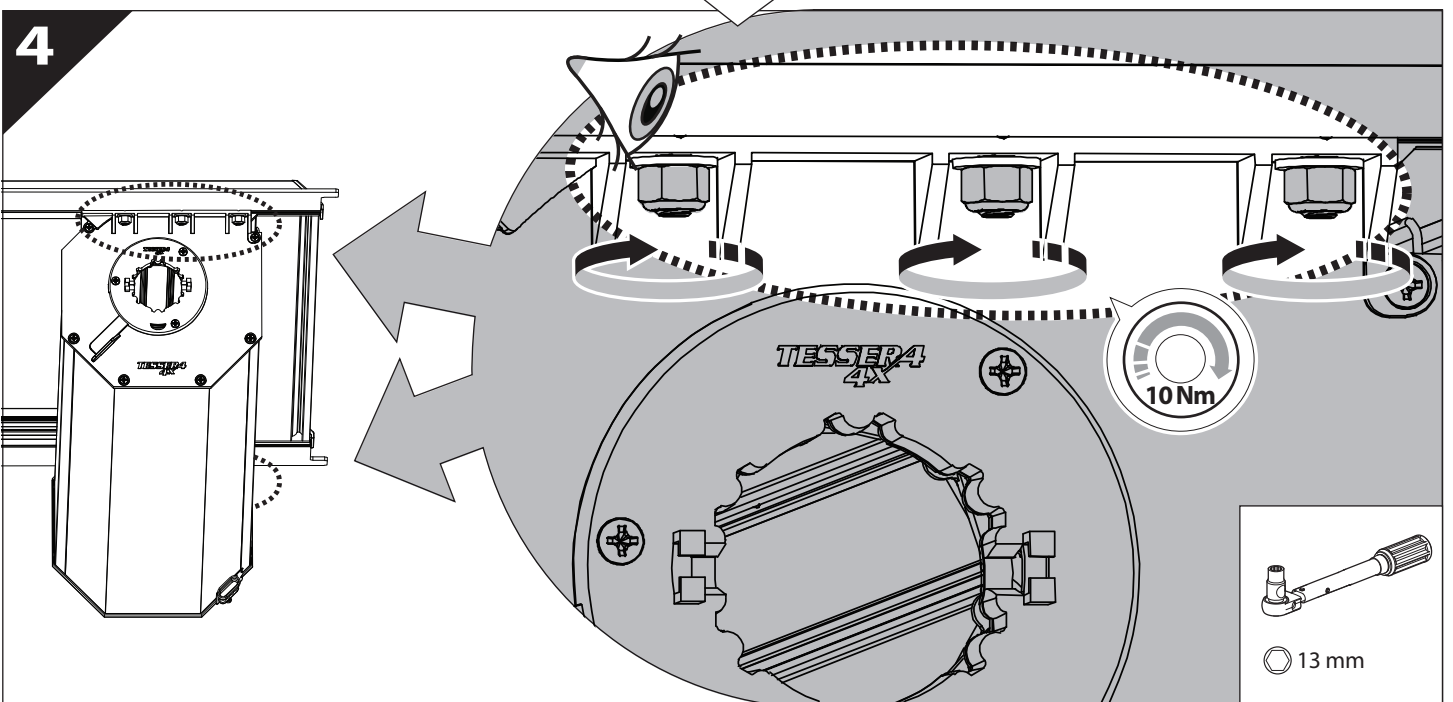
L

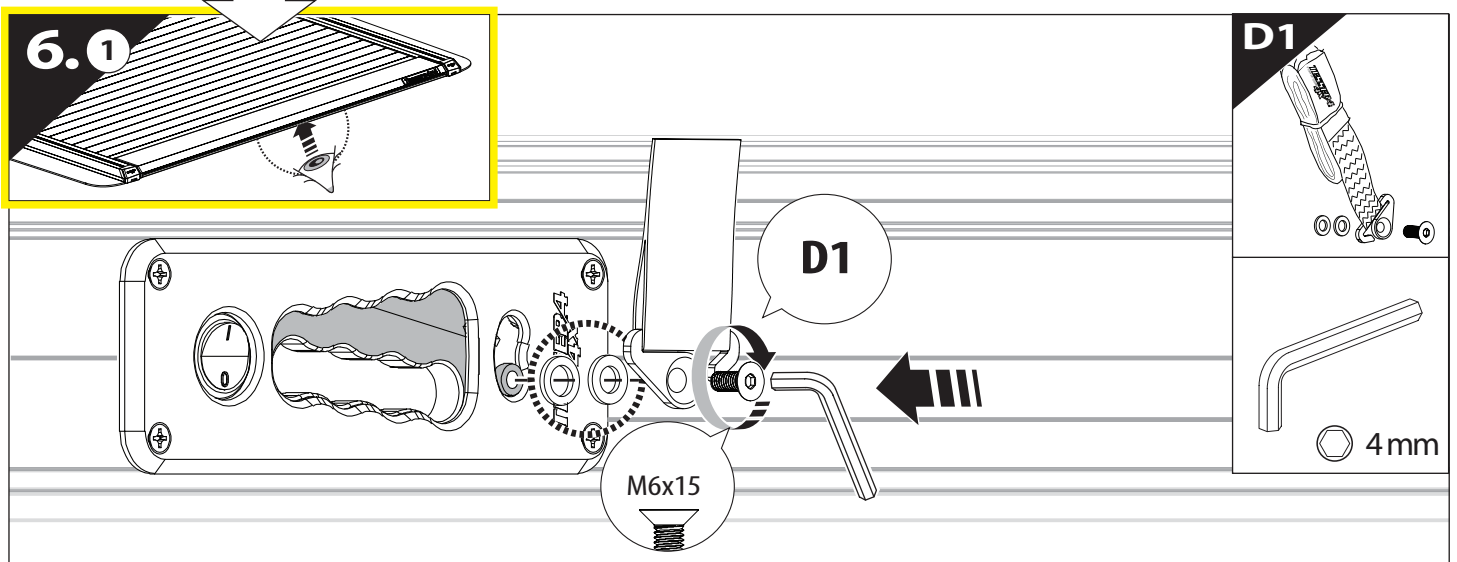
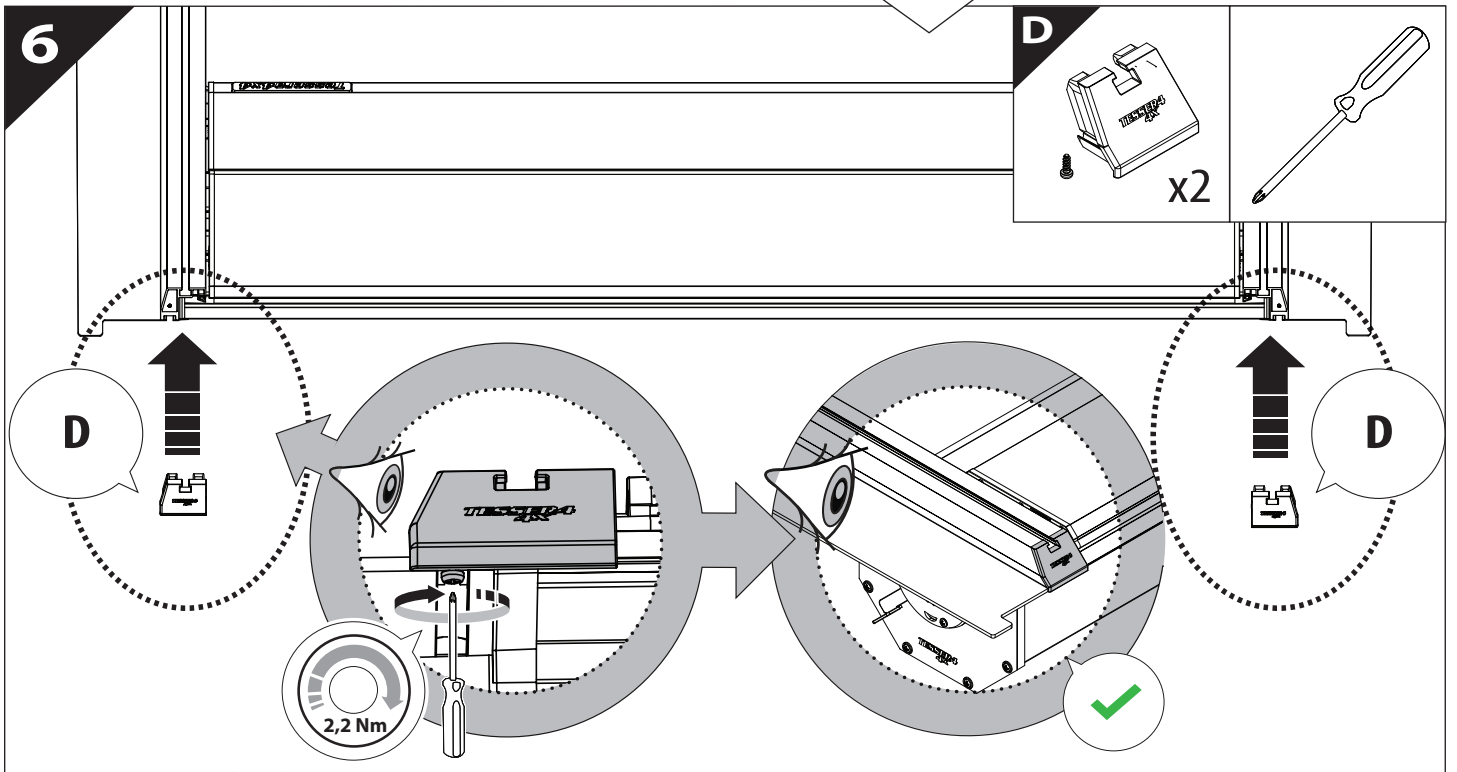
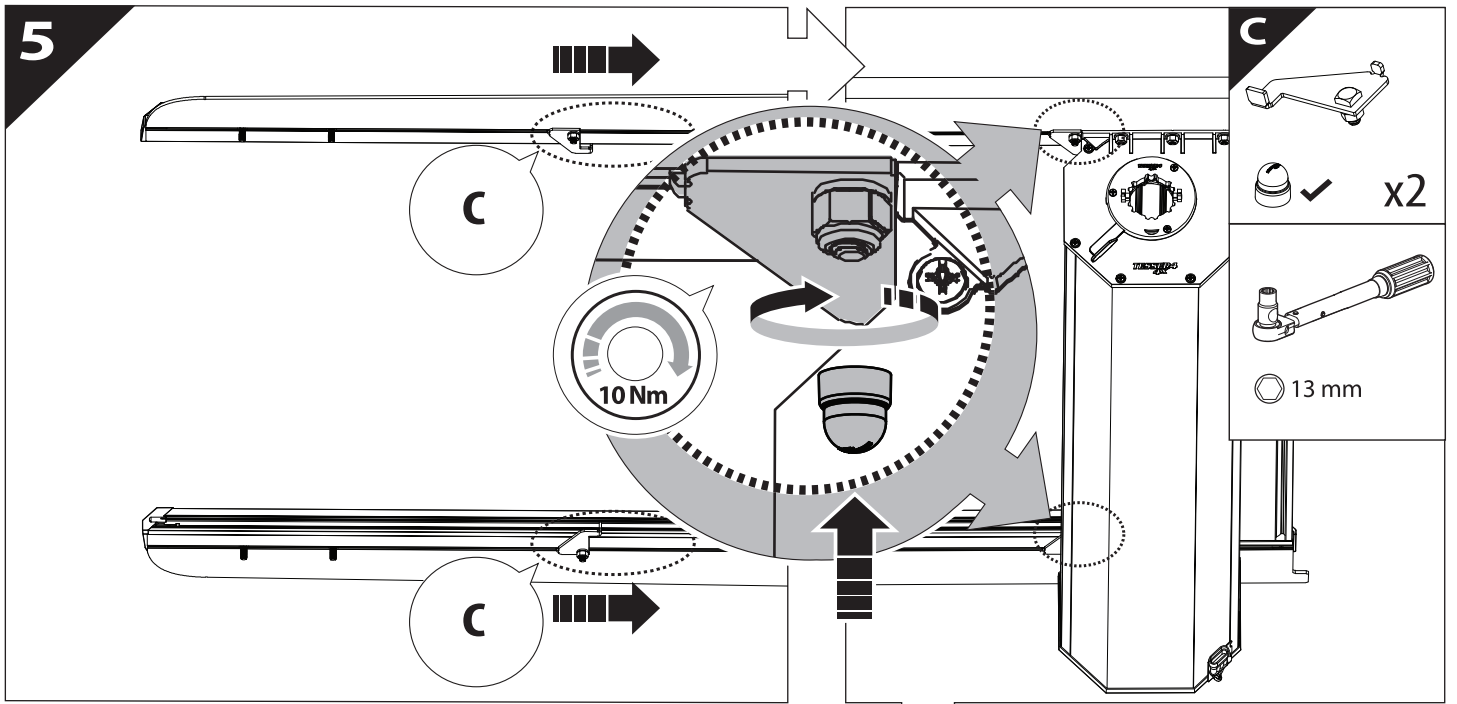


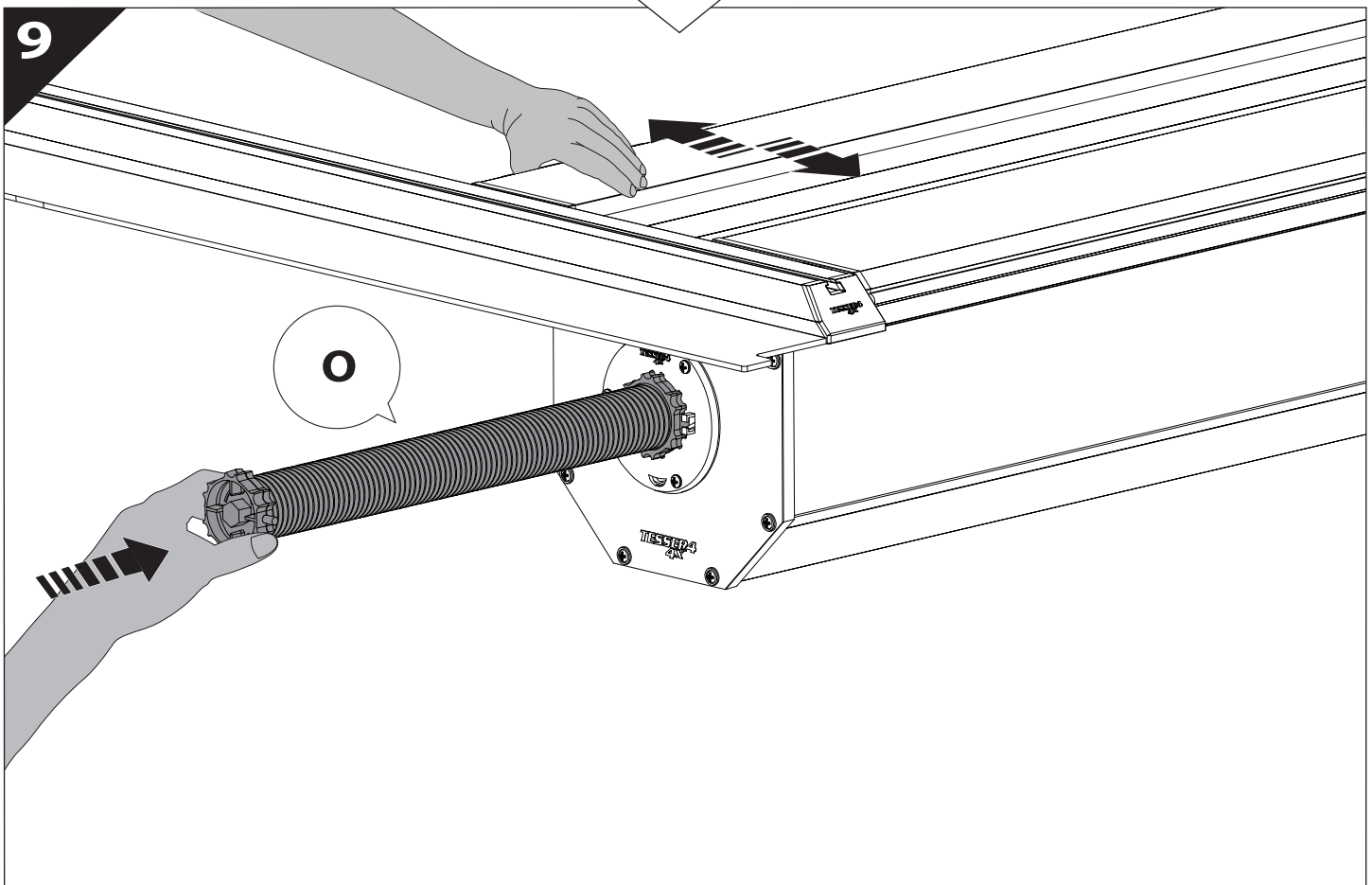
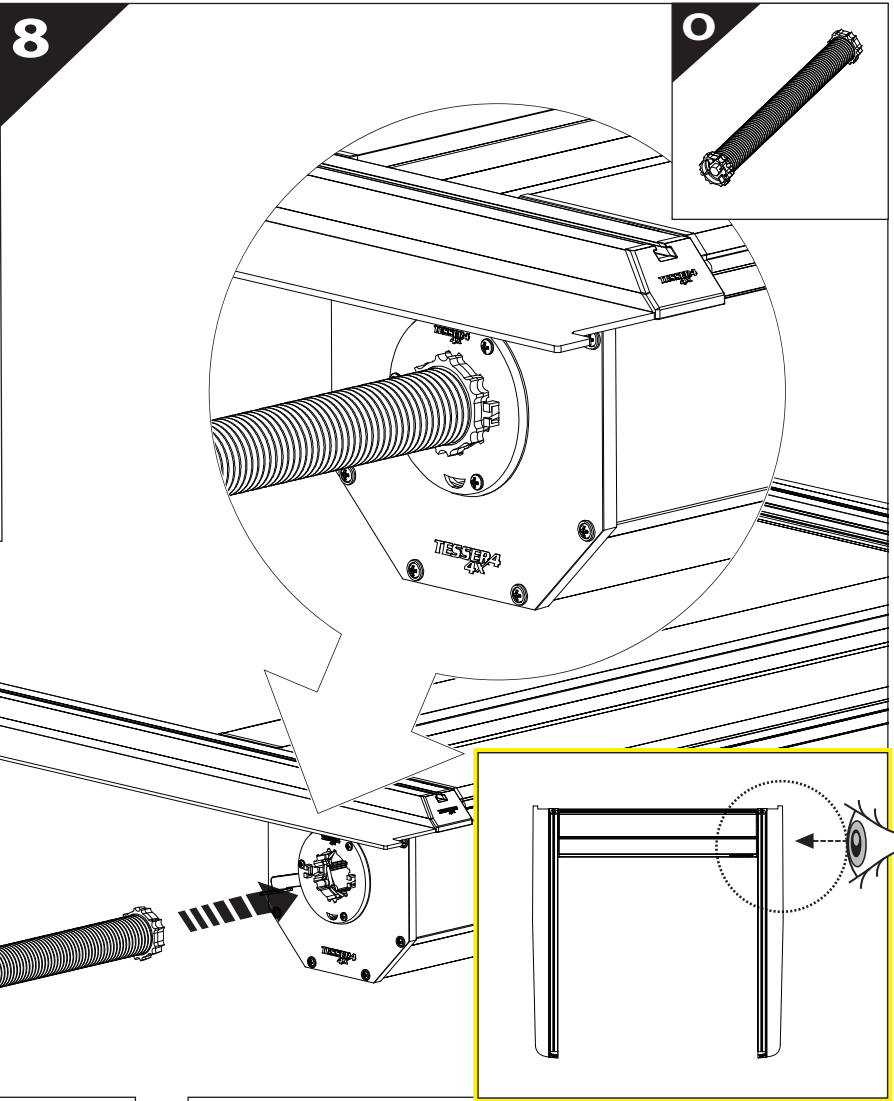
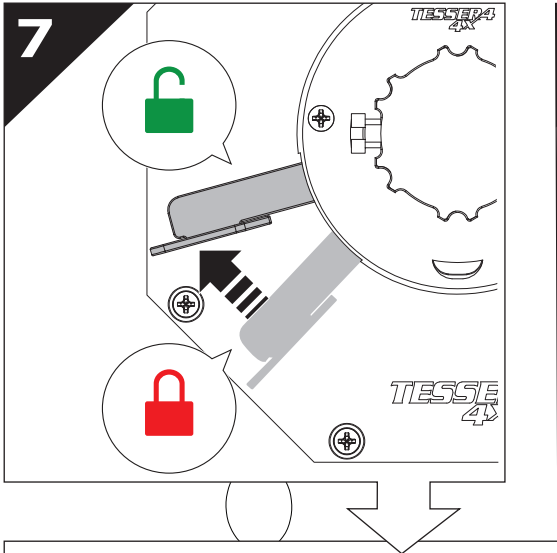
3



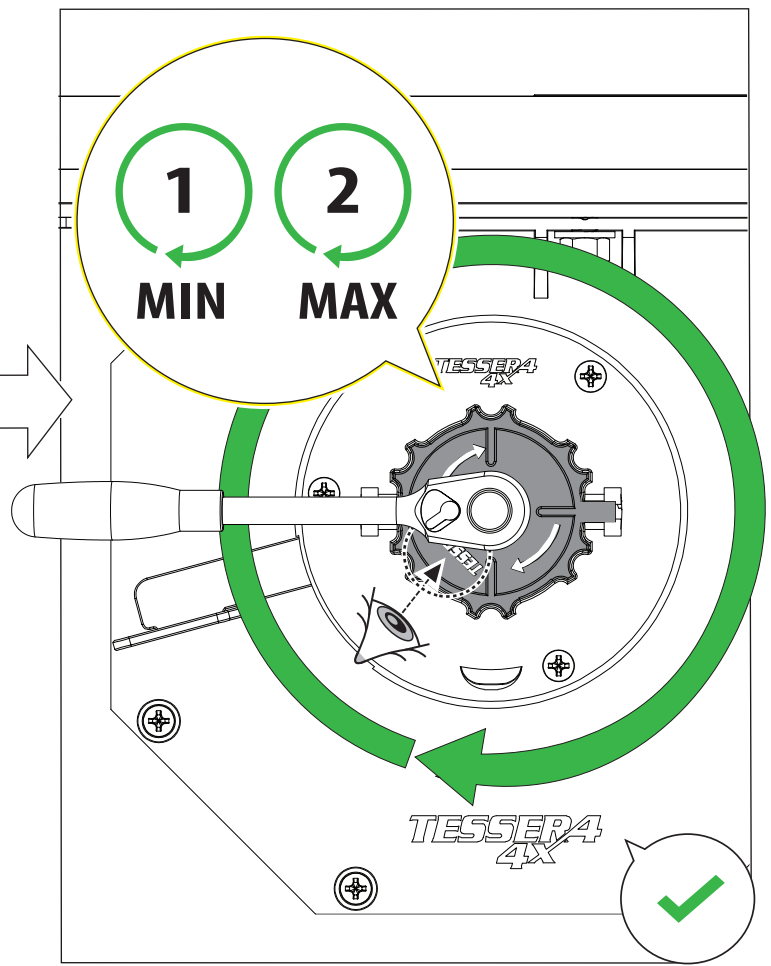
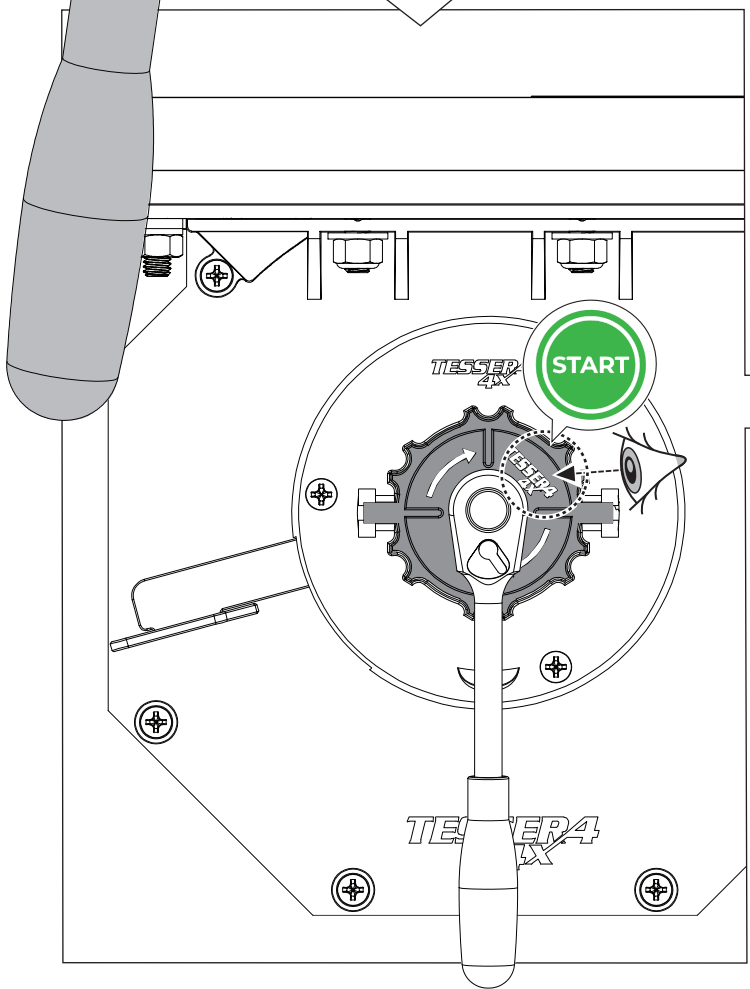
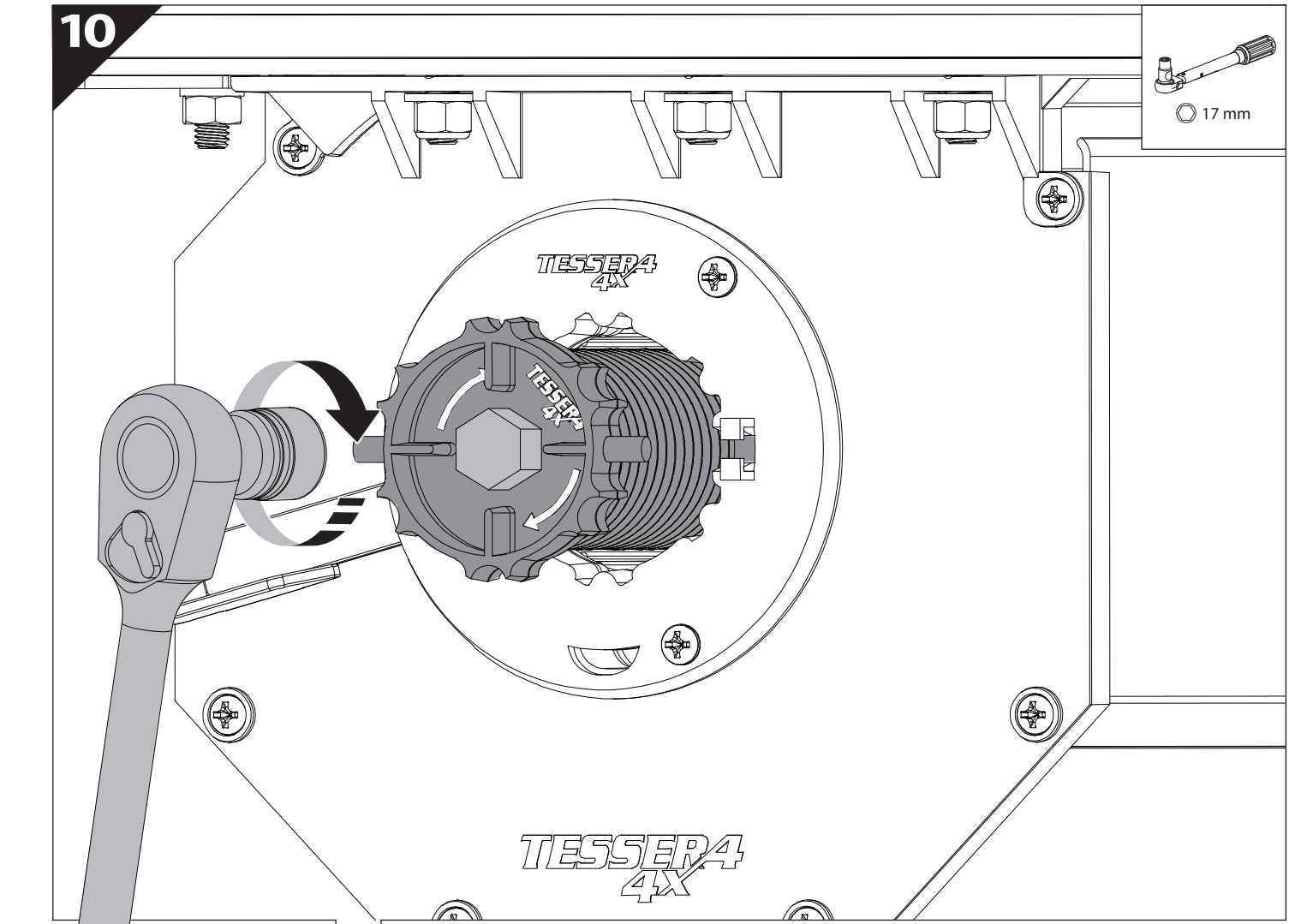
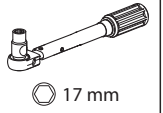
4



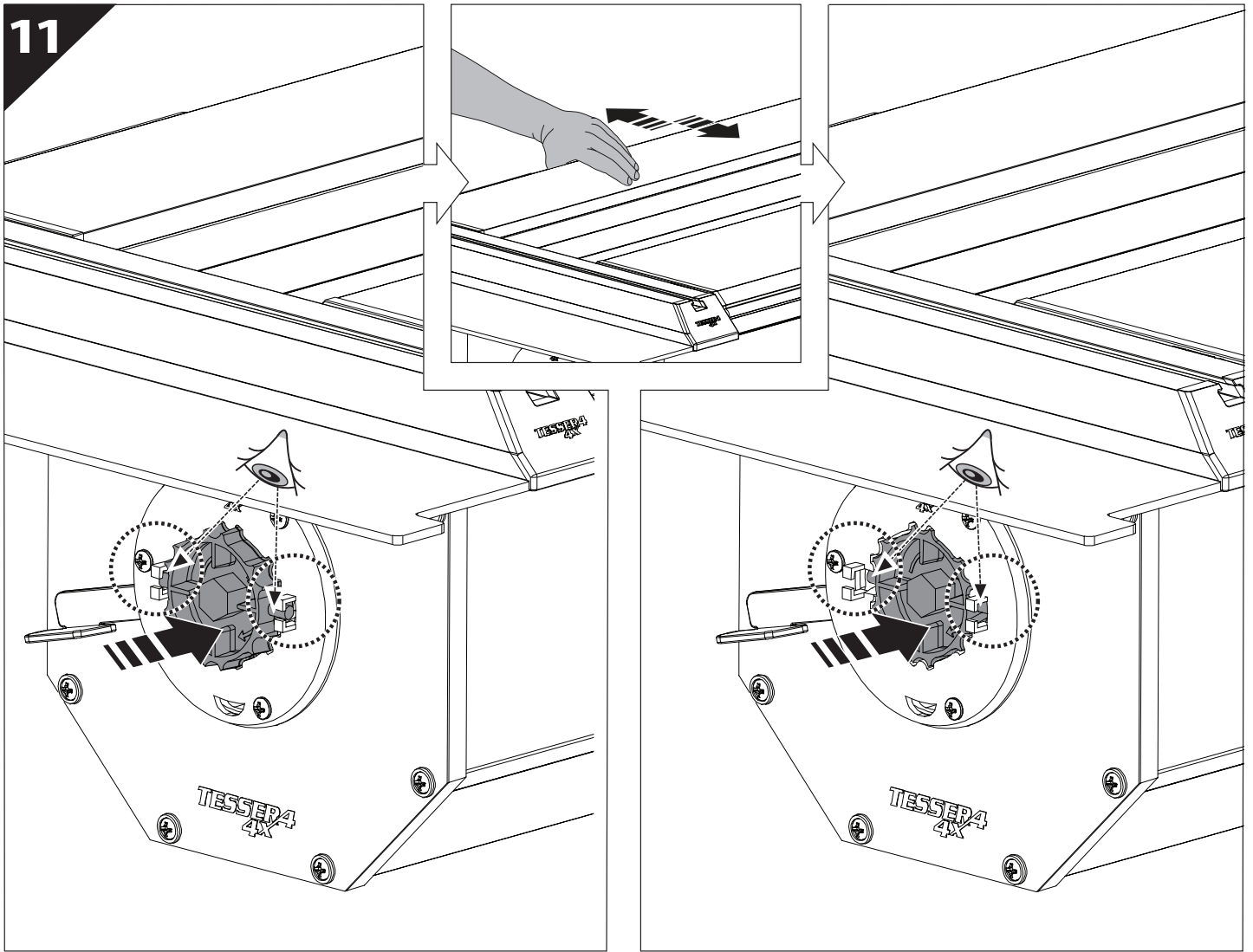




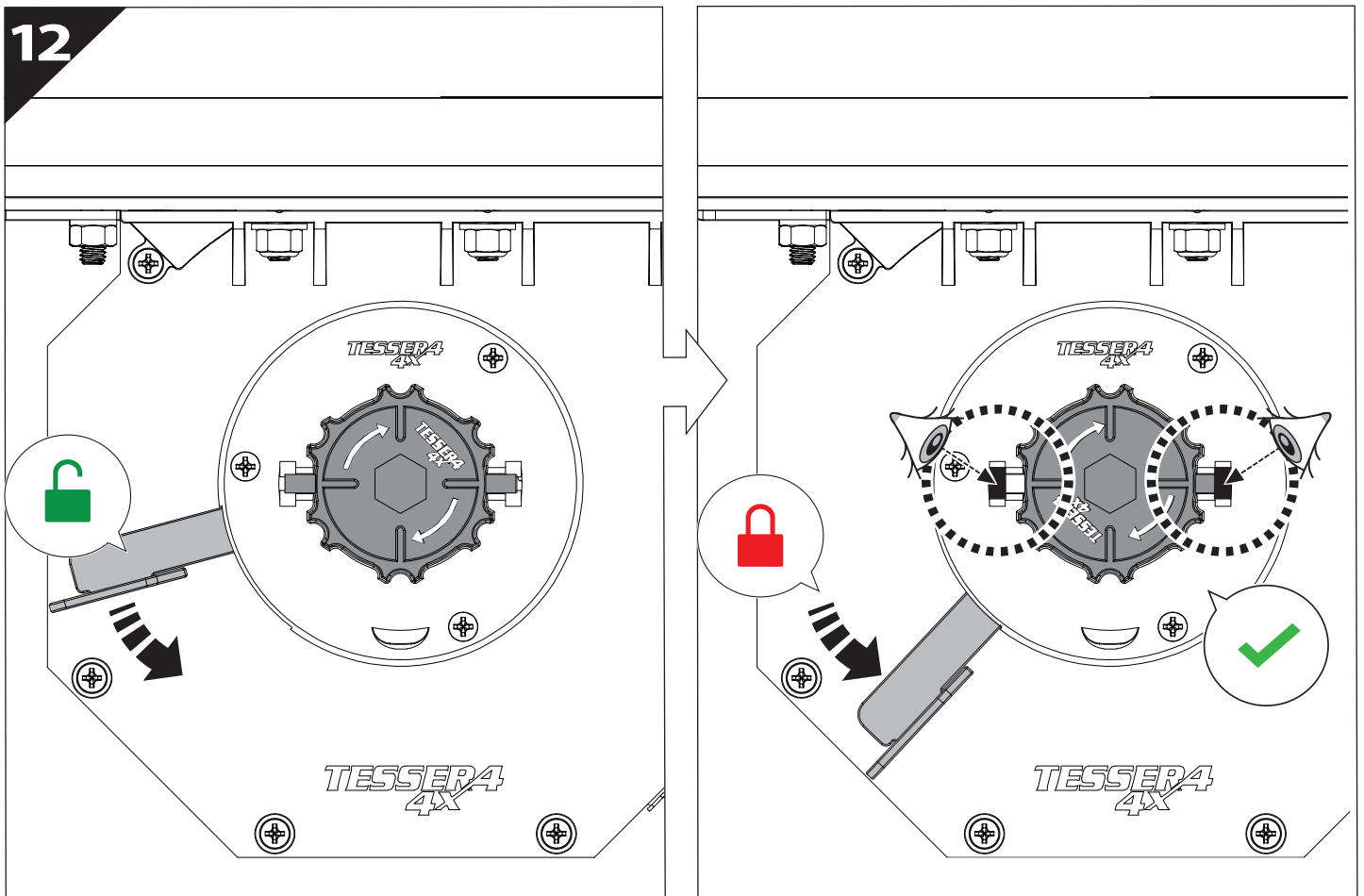
10



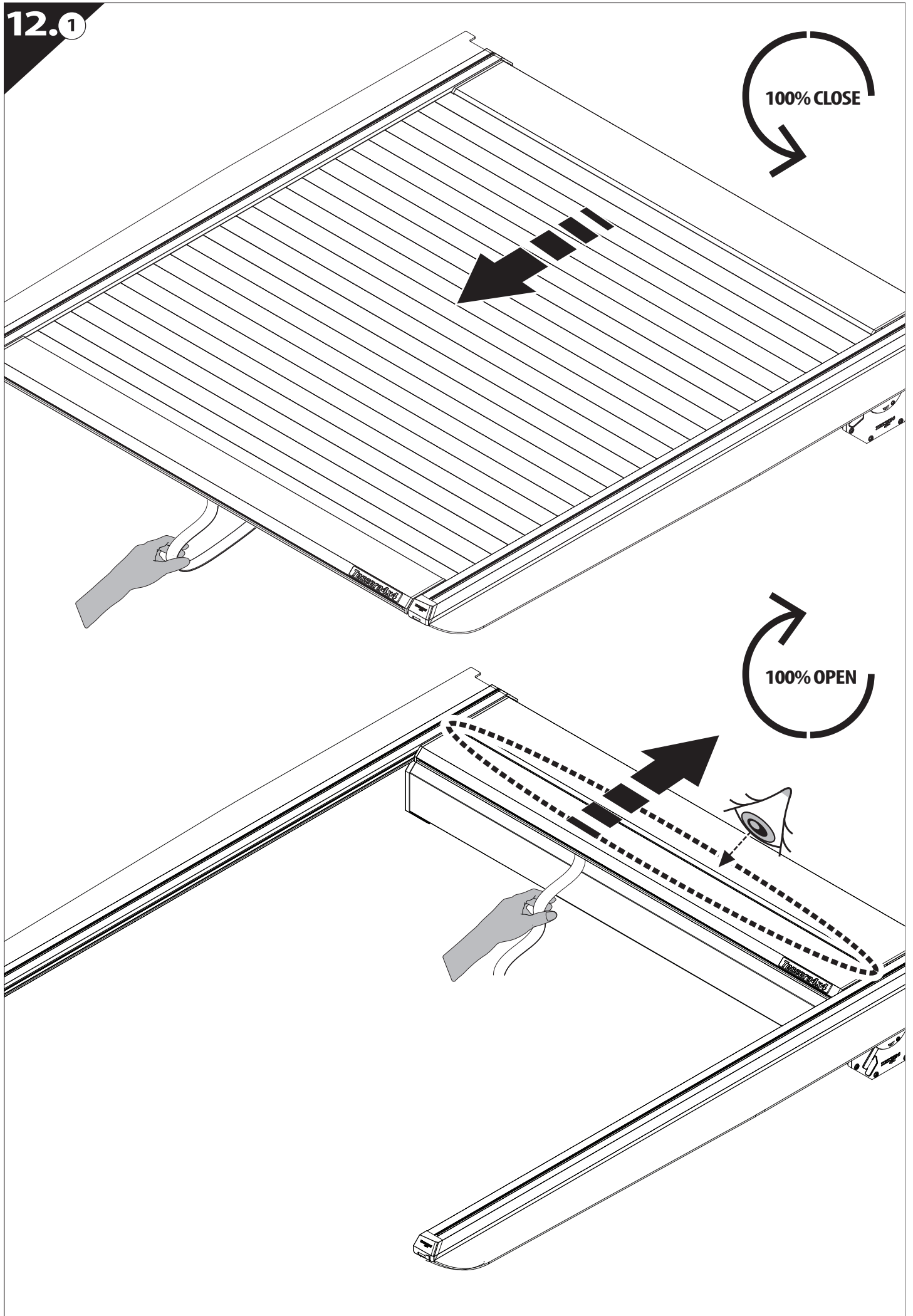
11



12

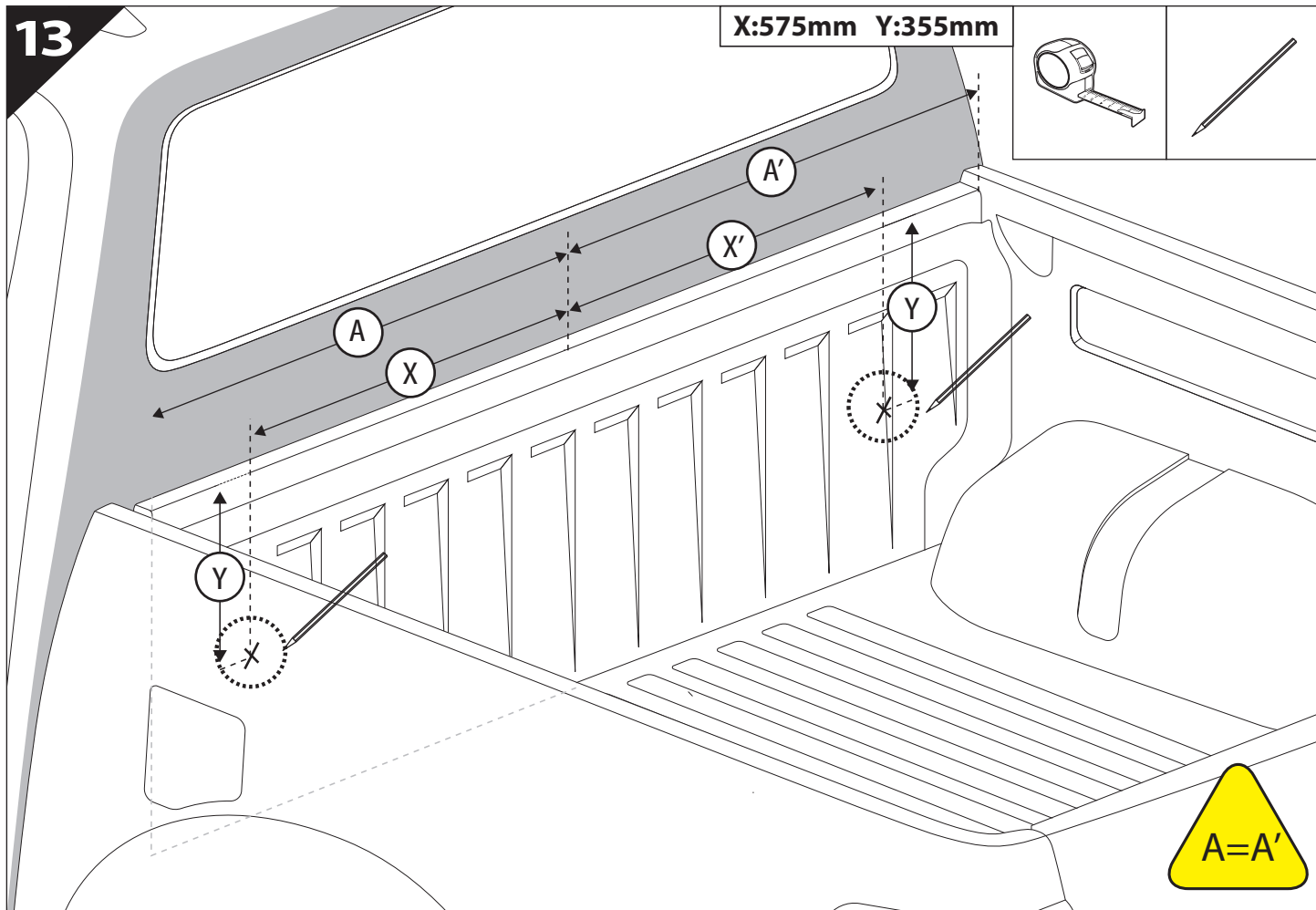
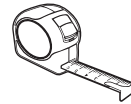


12.0



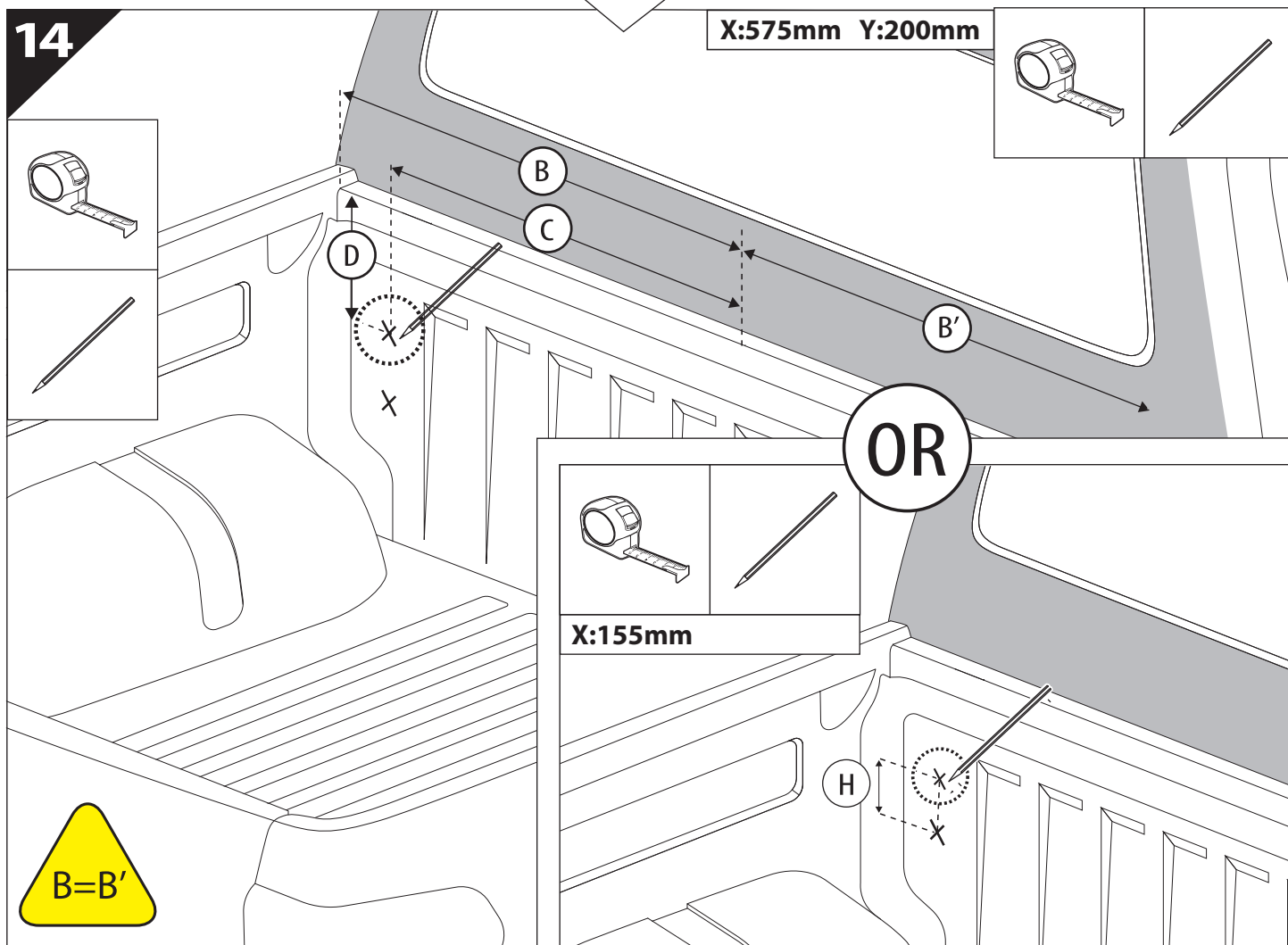
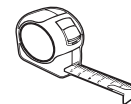
13

X:575mm Y:355mm

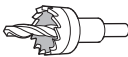


14


X:575mm Y:200mm



15

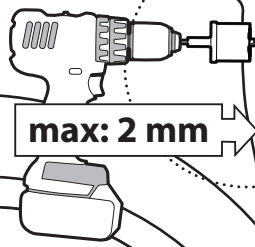


Ø 25 mm




Rust Protection

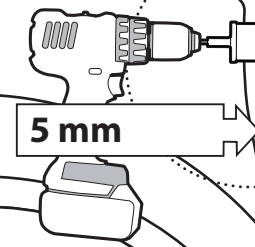
CAUTION



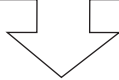
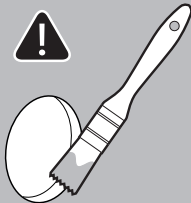


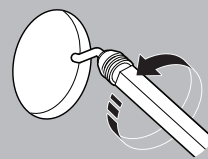

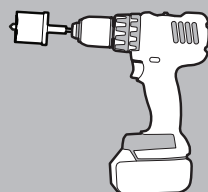

max: 2 mm

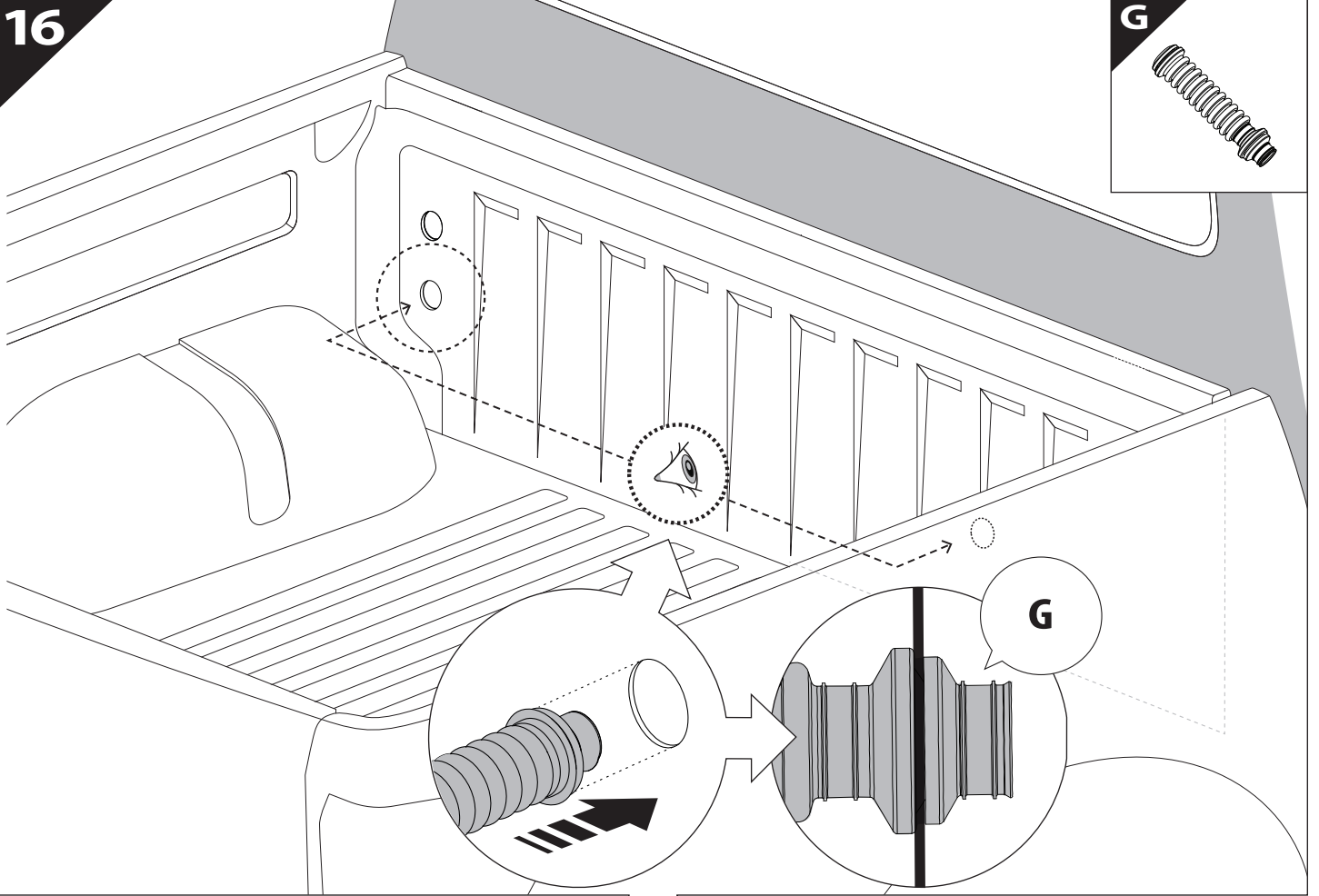


CAUTION

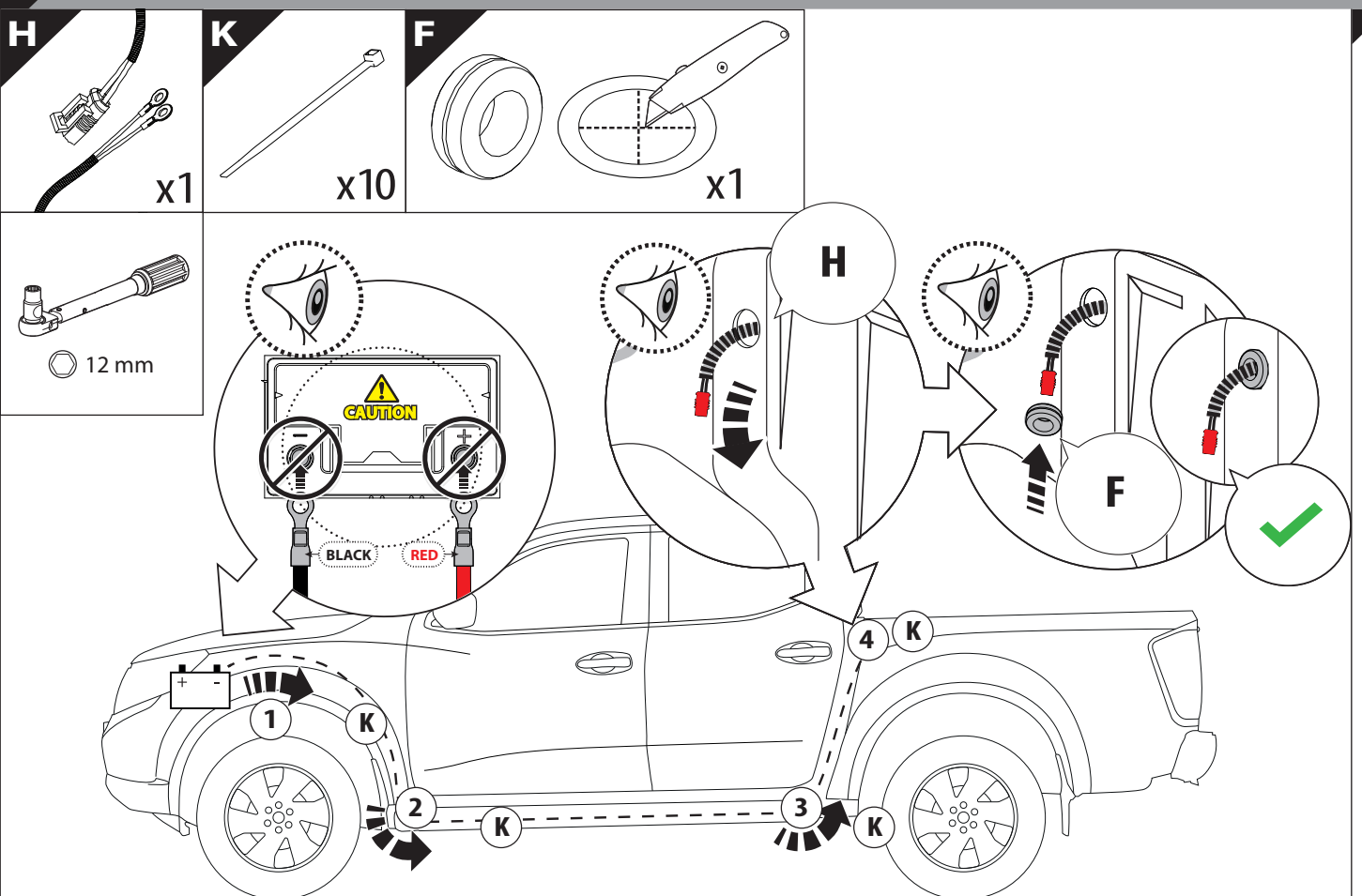


5 mm



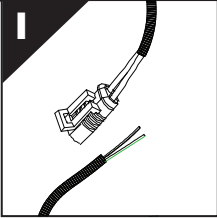


17 Only to be installed by authorized personnel

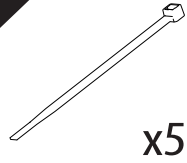


18

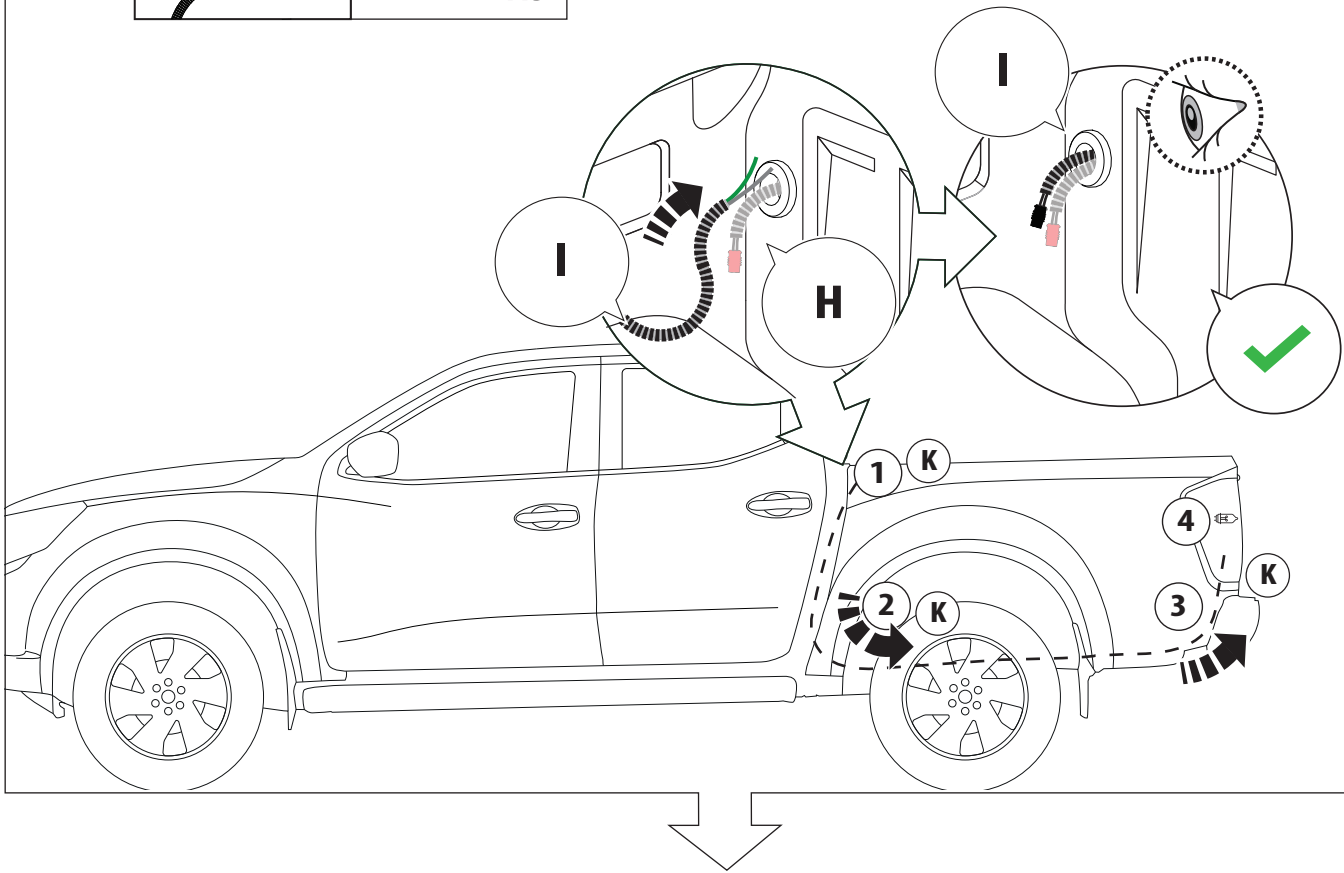
I



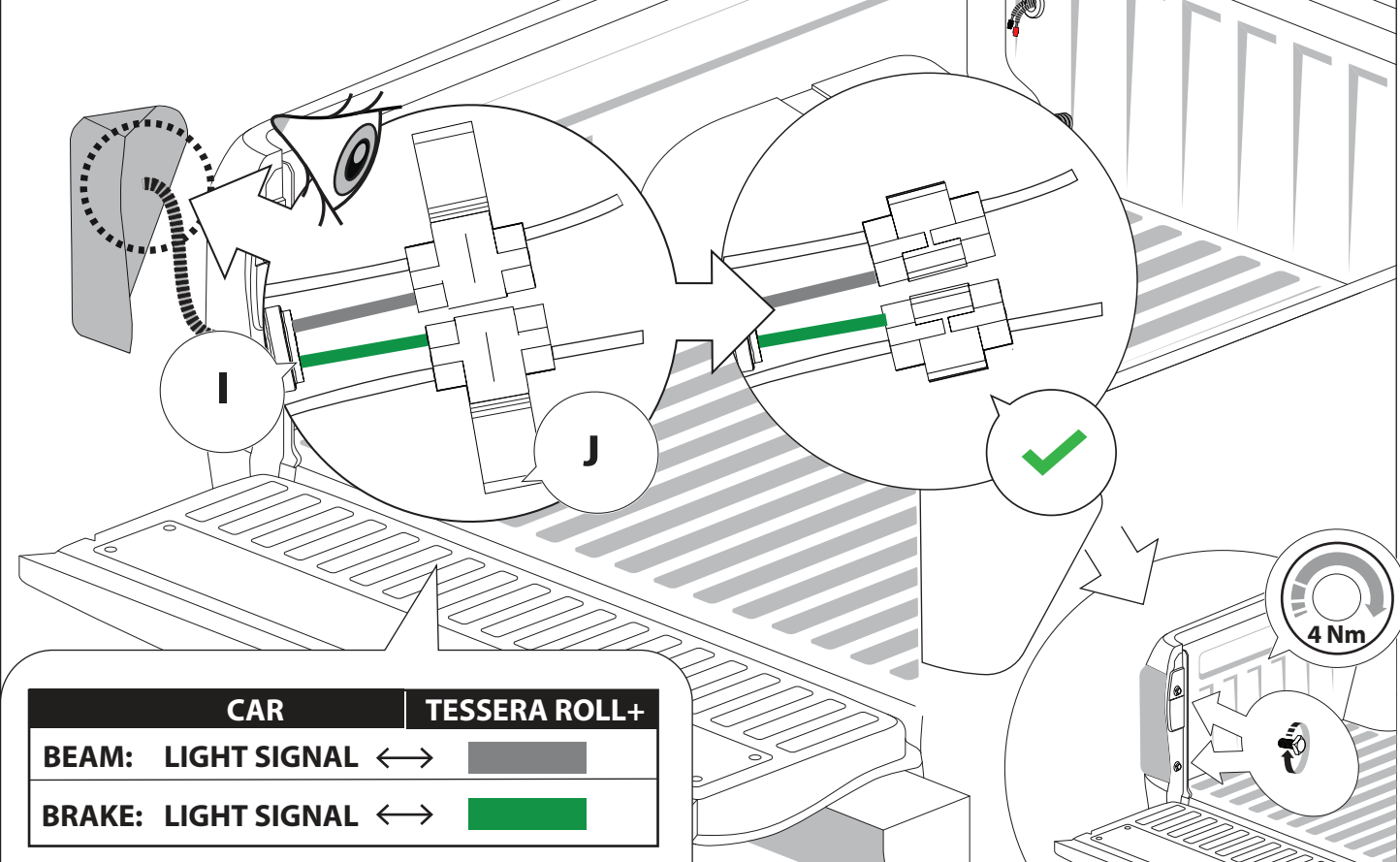
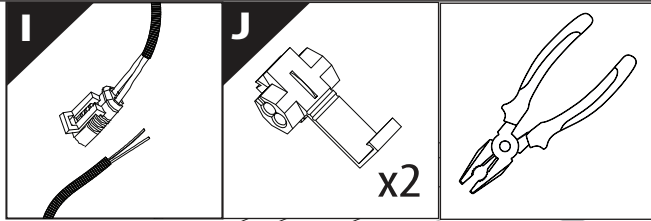
K



x5



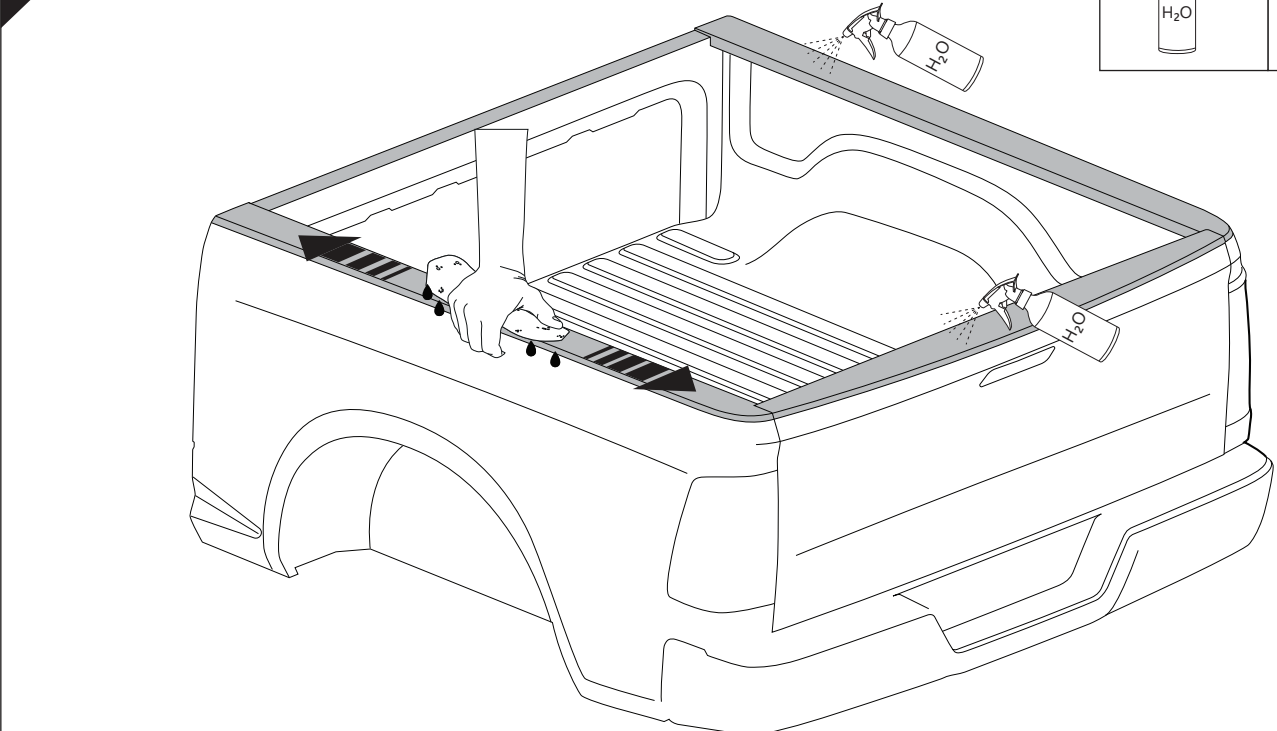
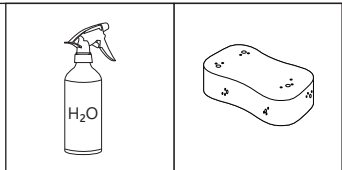
19



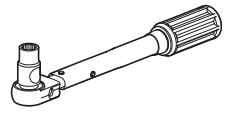
	CAR	TESSERA ROLL+
BEAM: LIGHT SIGNAL	↔	
BRAKE: LIGHT SIGNAL	↔	

CAUTION: CONSULT A CERTIFIED AUTO MECHANIC OR AUTOMOTIVE ELECTRICIAN TO IDENTIFY THE CORRECT WIRING CABLES FOR BEAM AND BRAKE SIGNALS BEFORE MAKING ANY CONNECTIONS.

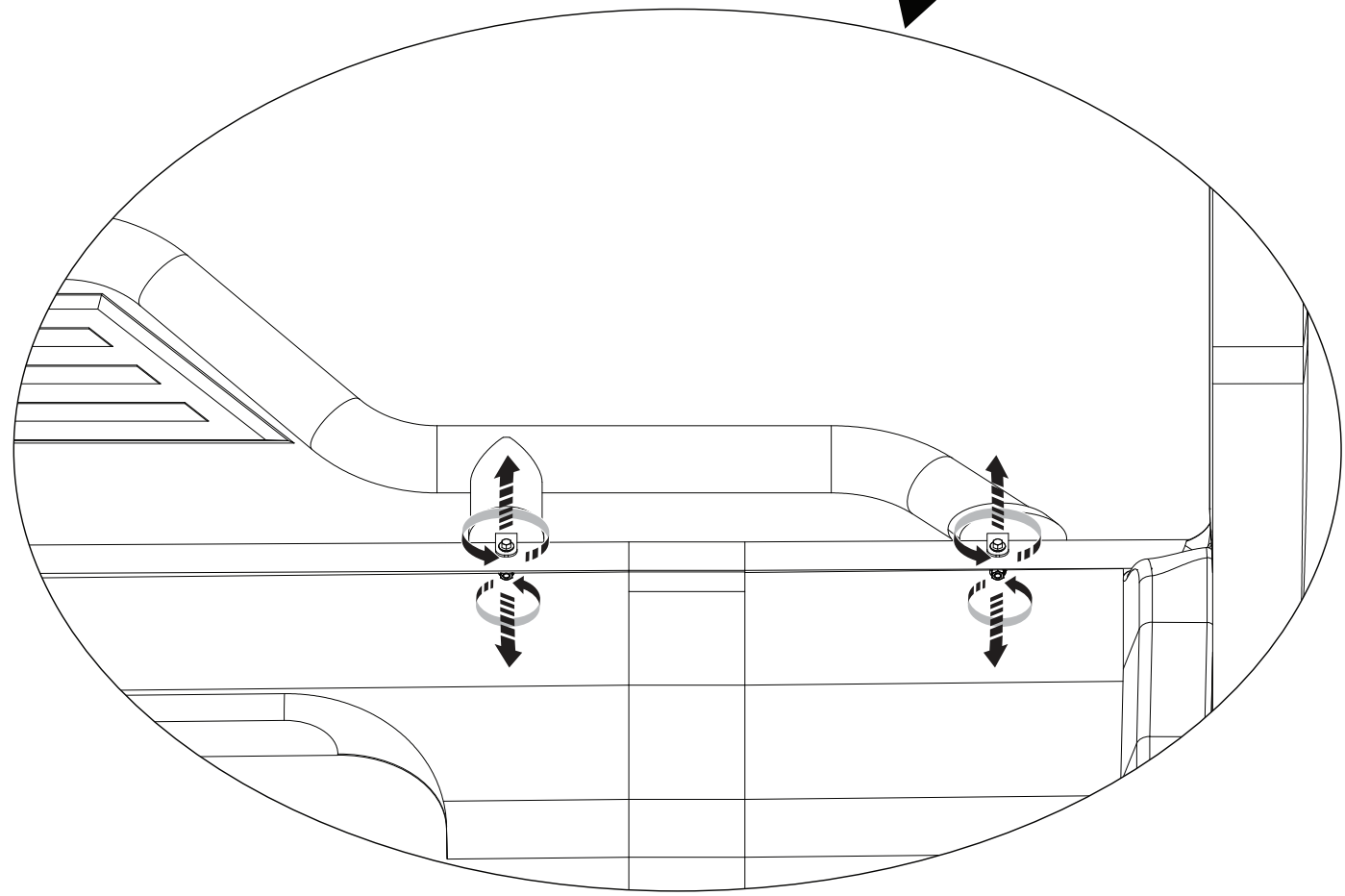
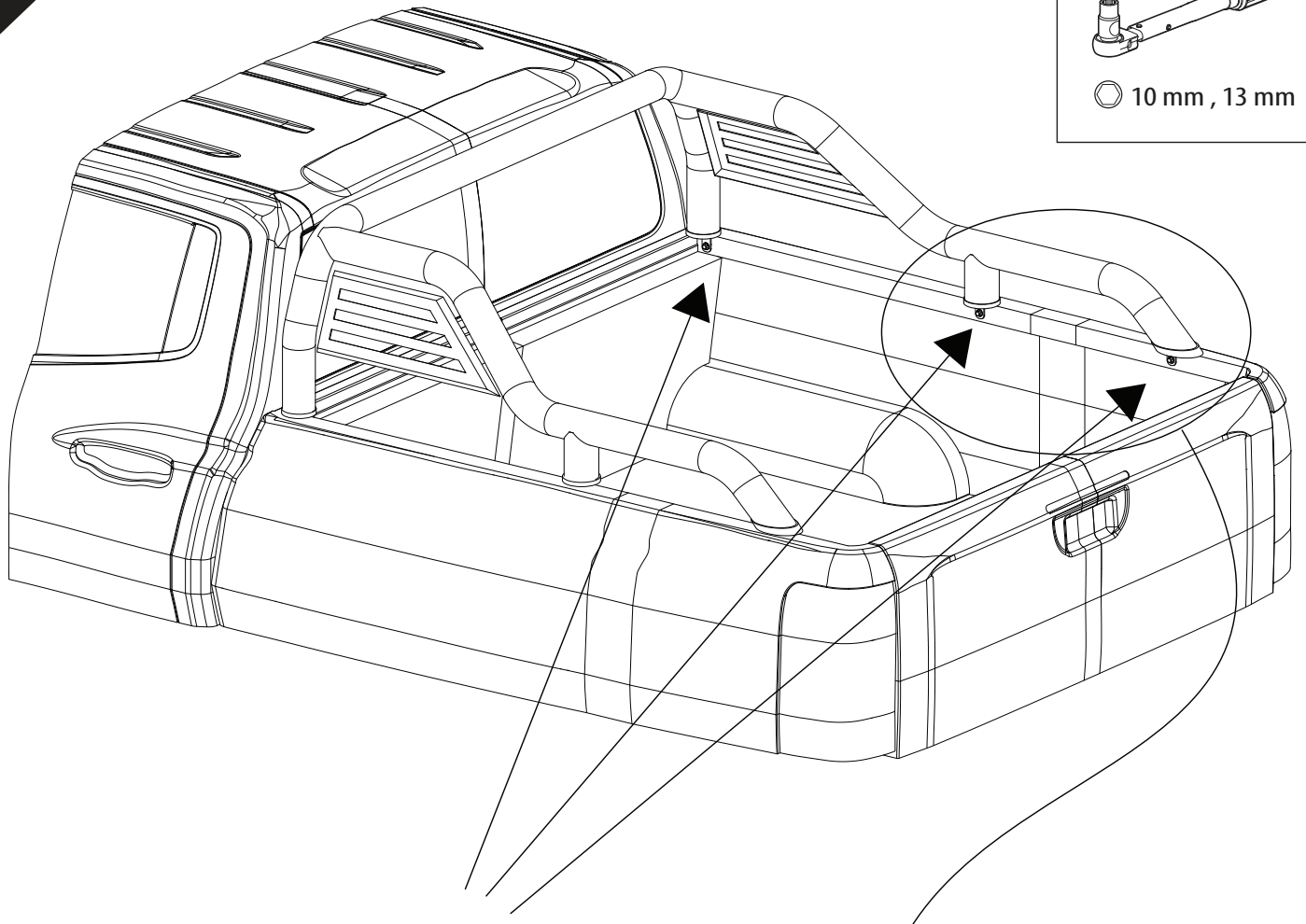
20

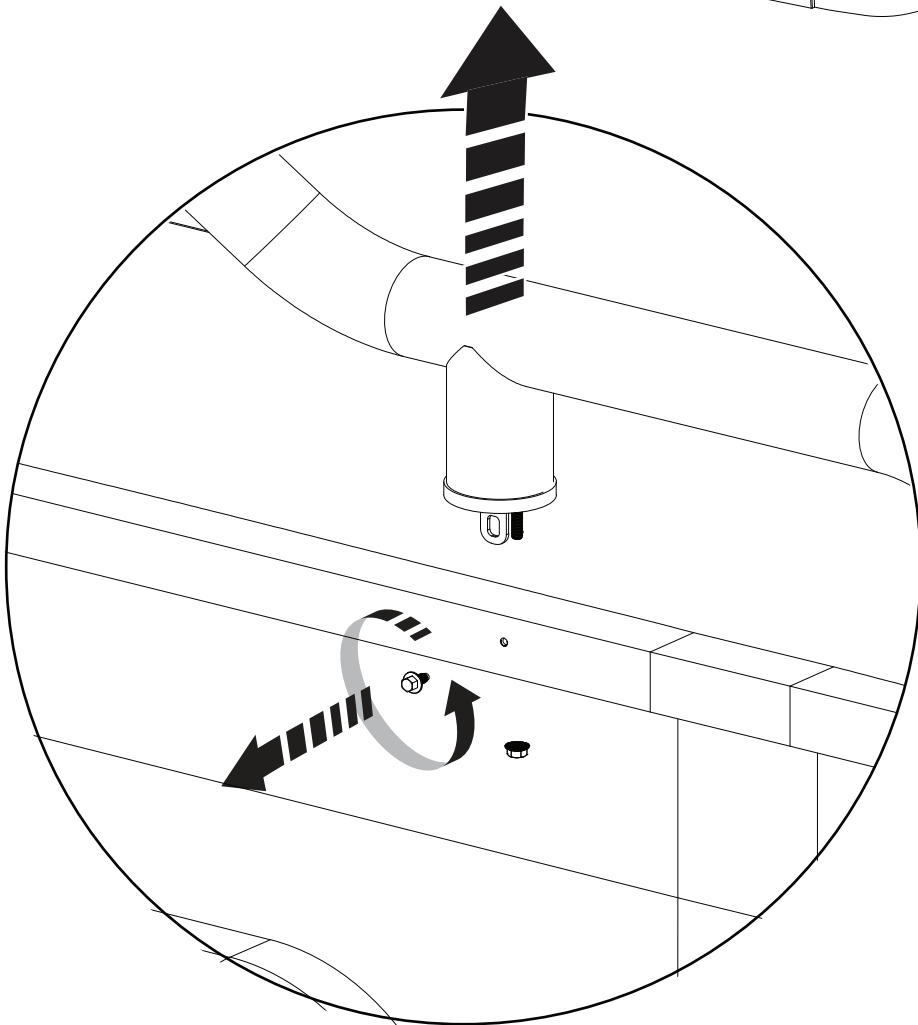
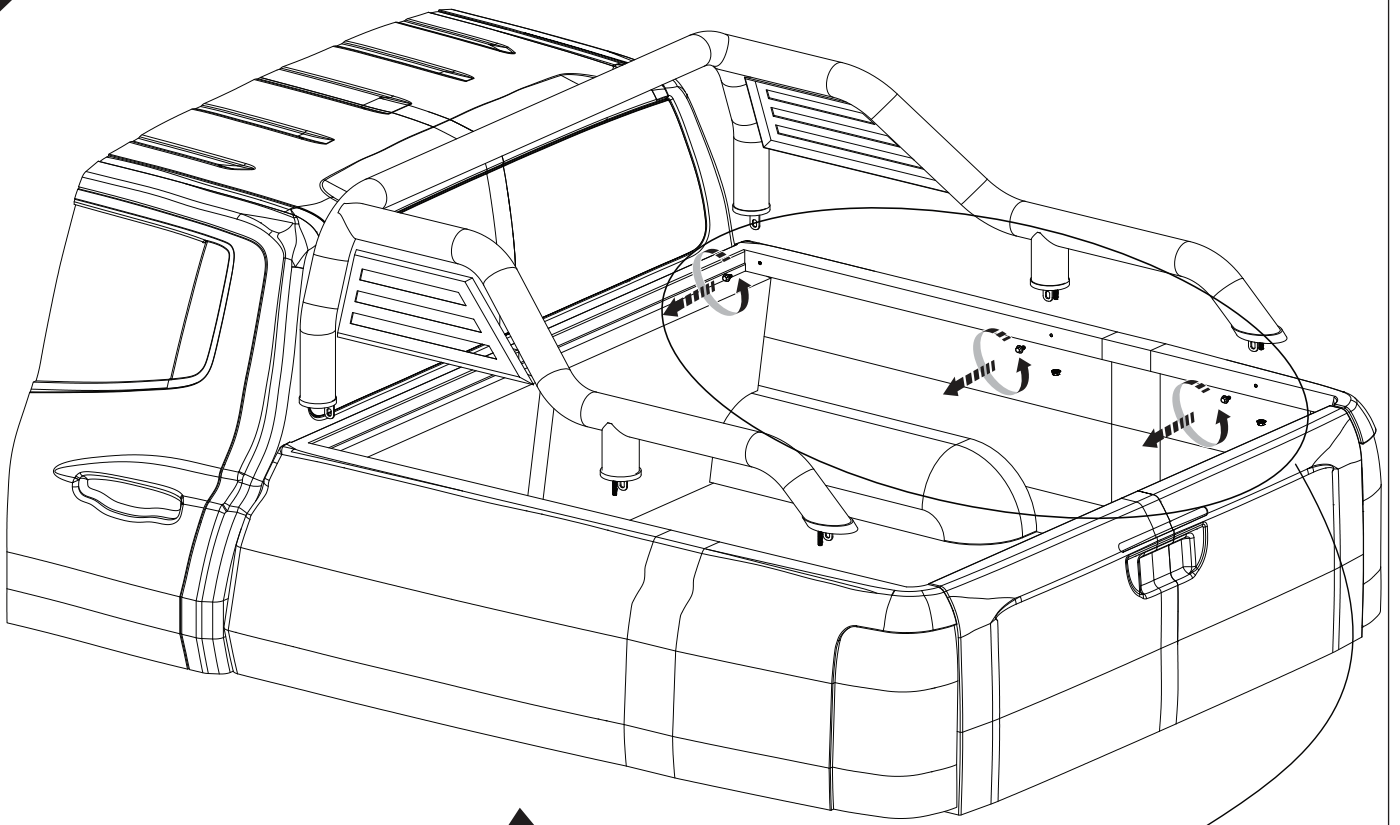


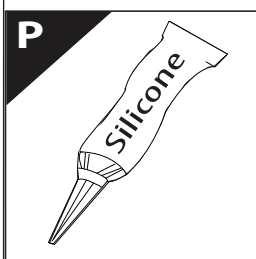
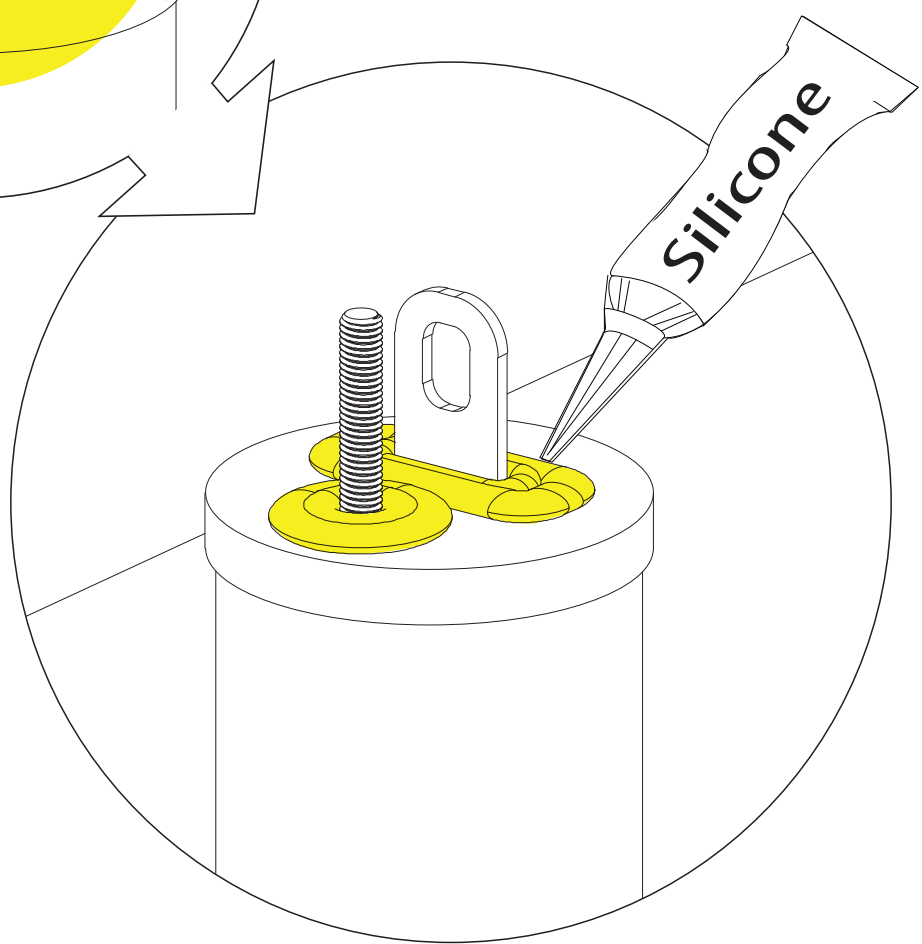
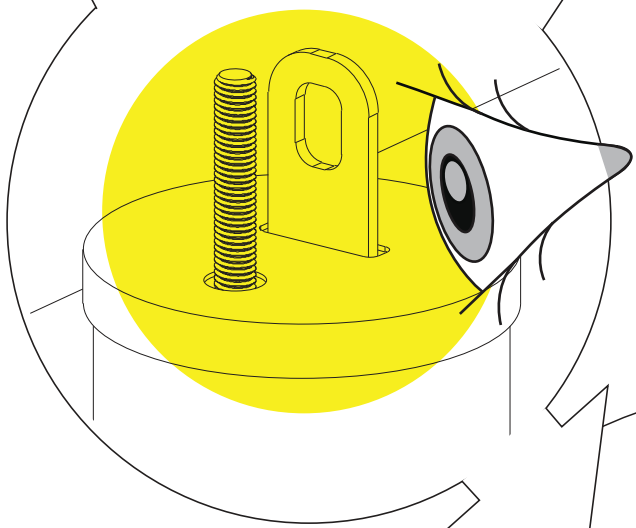
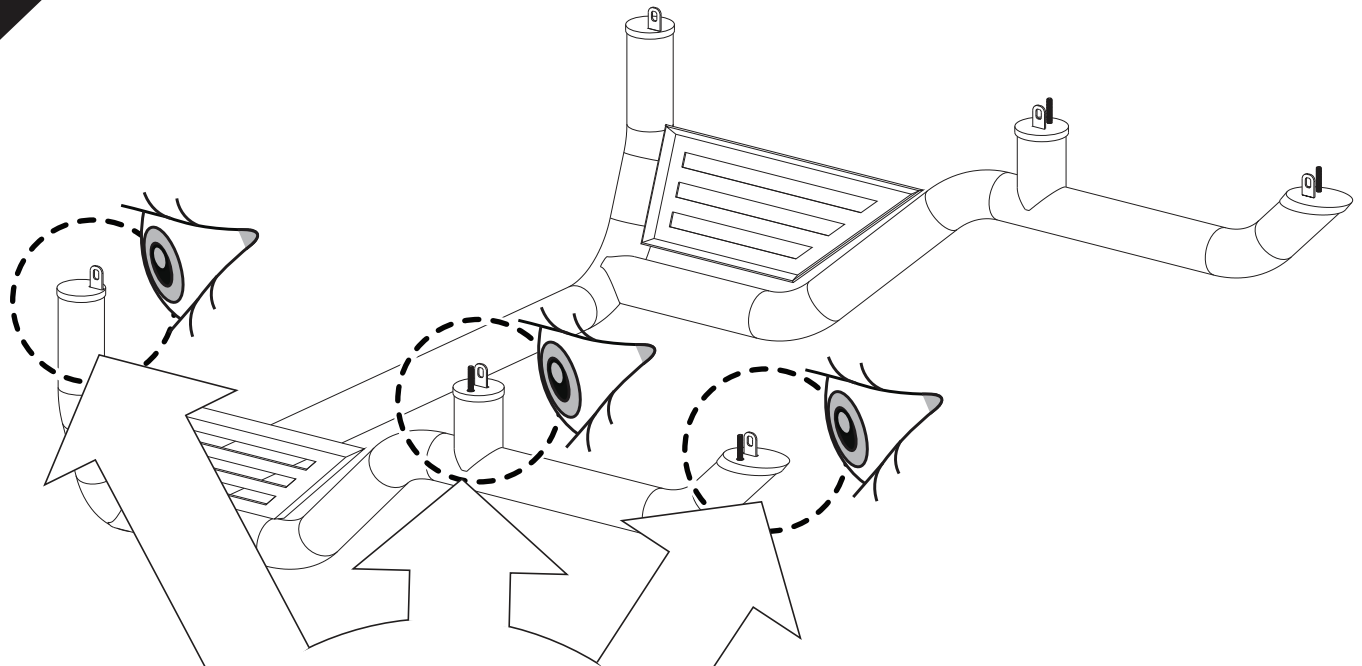
21



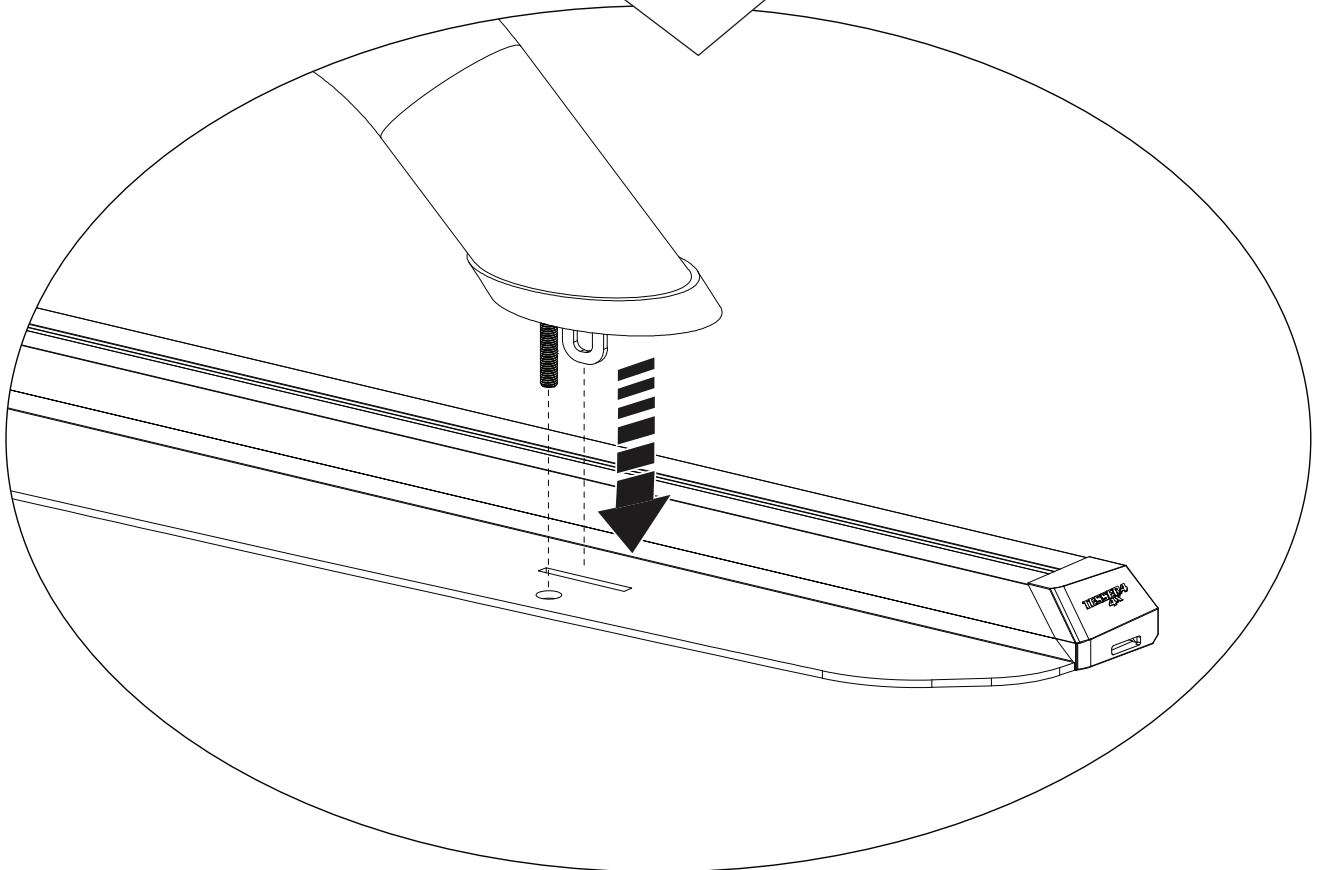
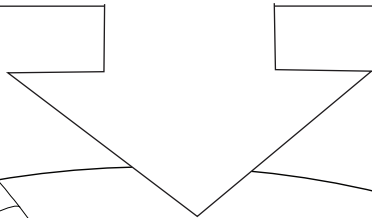
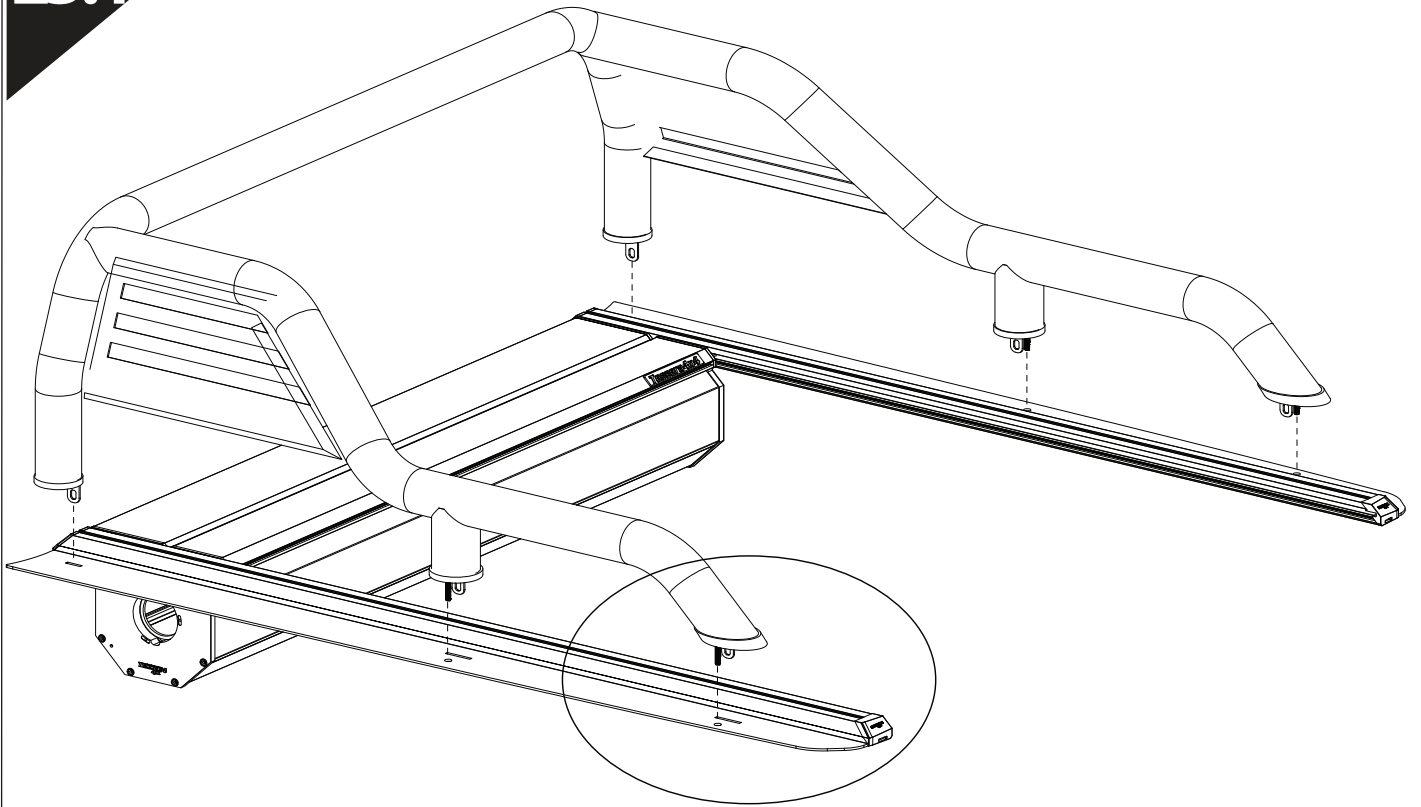
10 mm, 13 mm

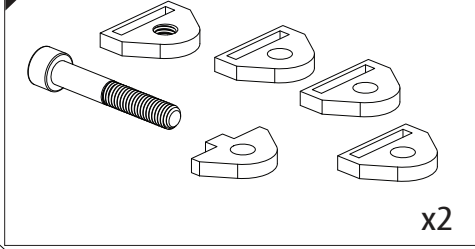
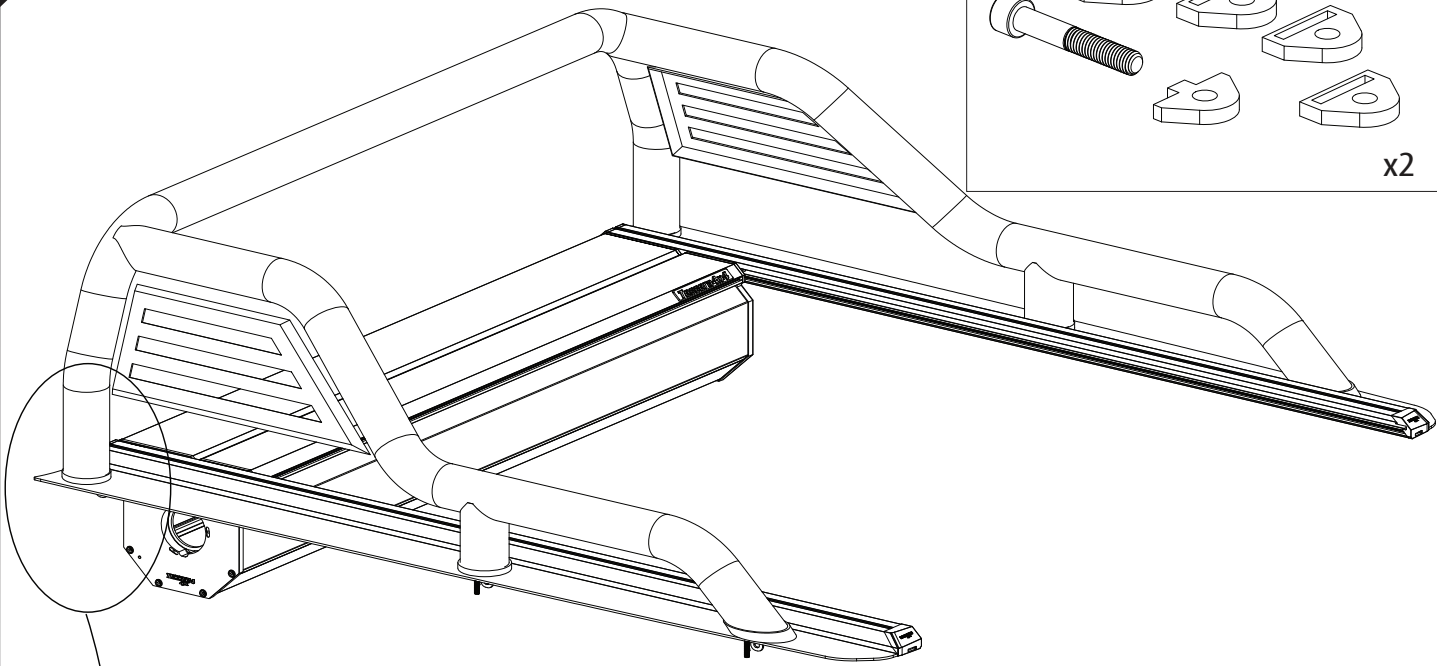




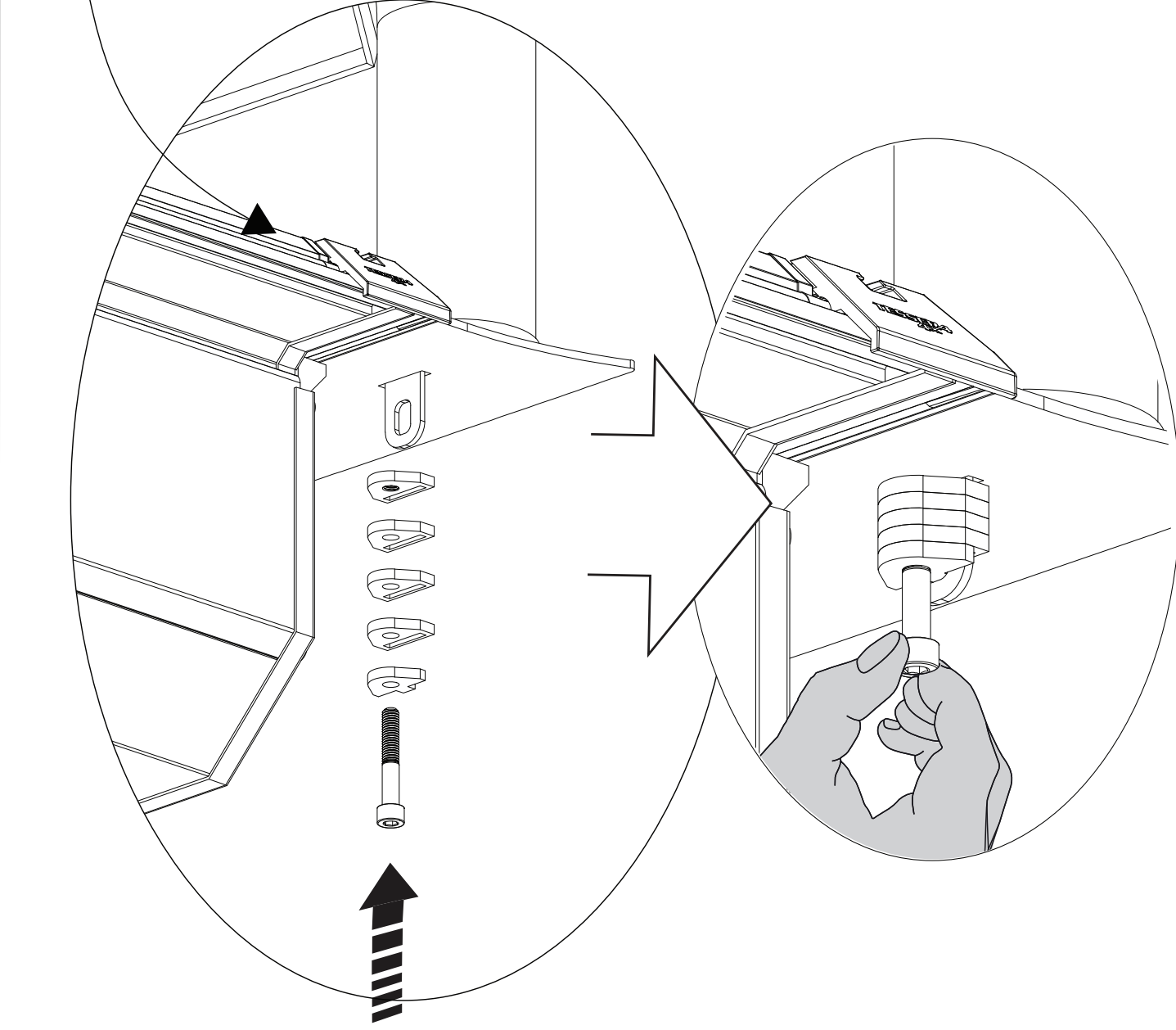


23.1

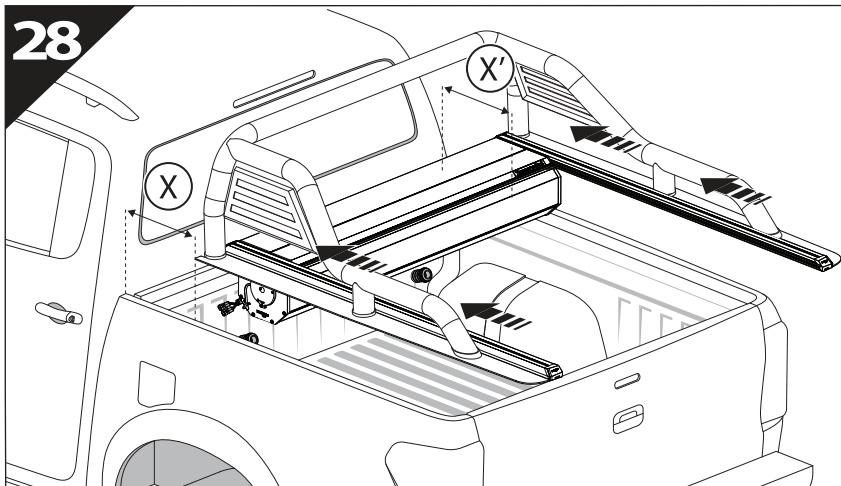




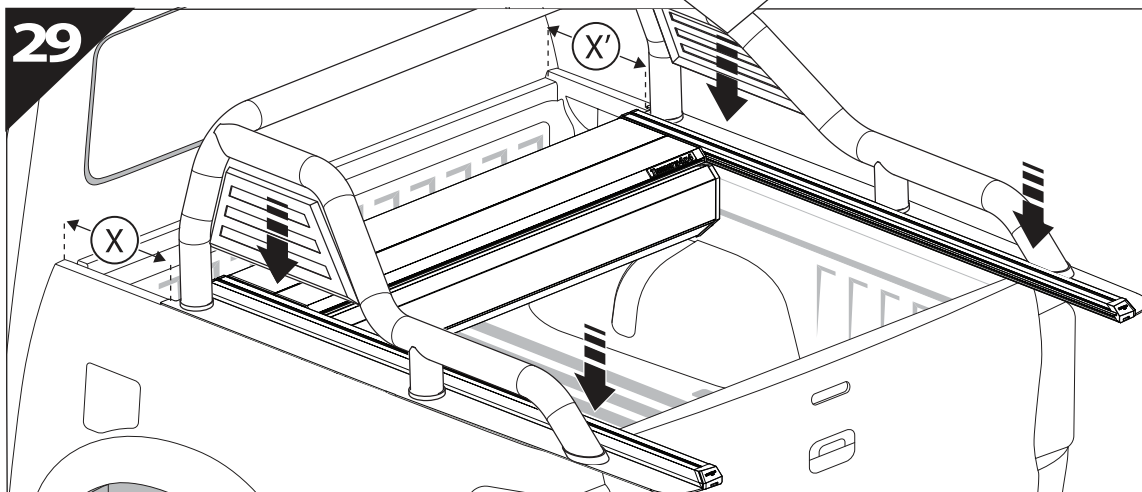
x2



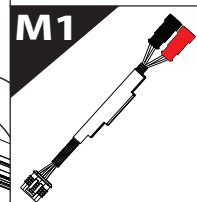
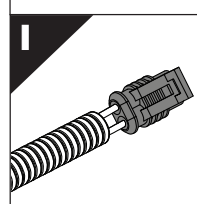
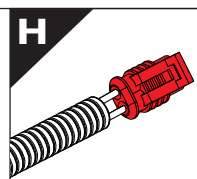
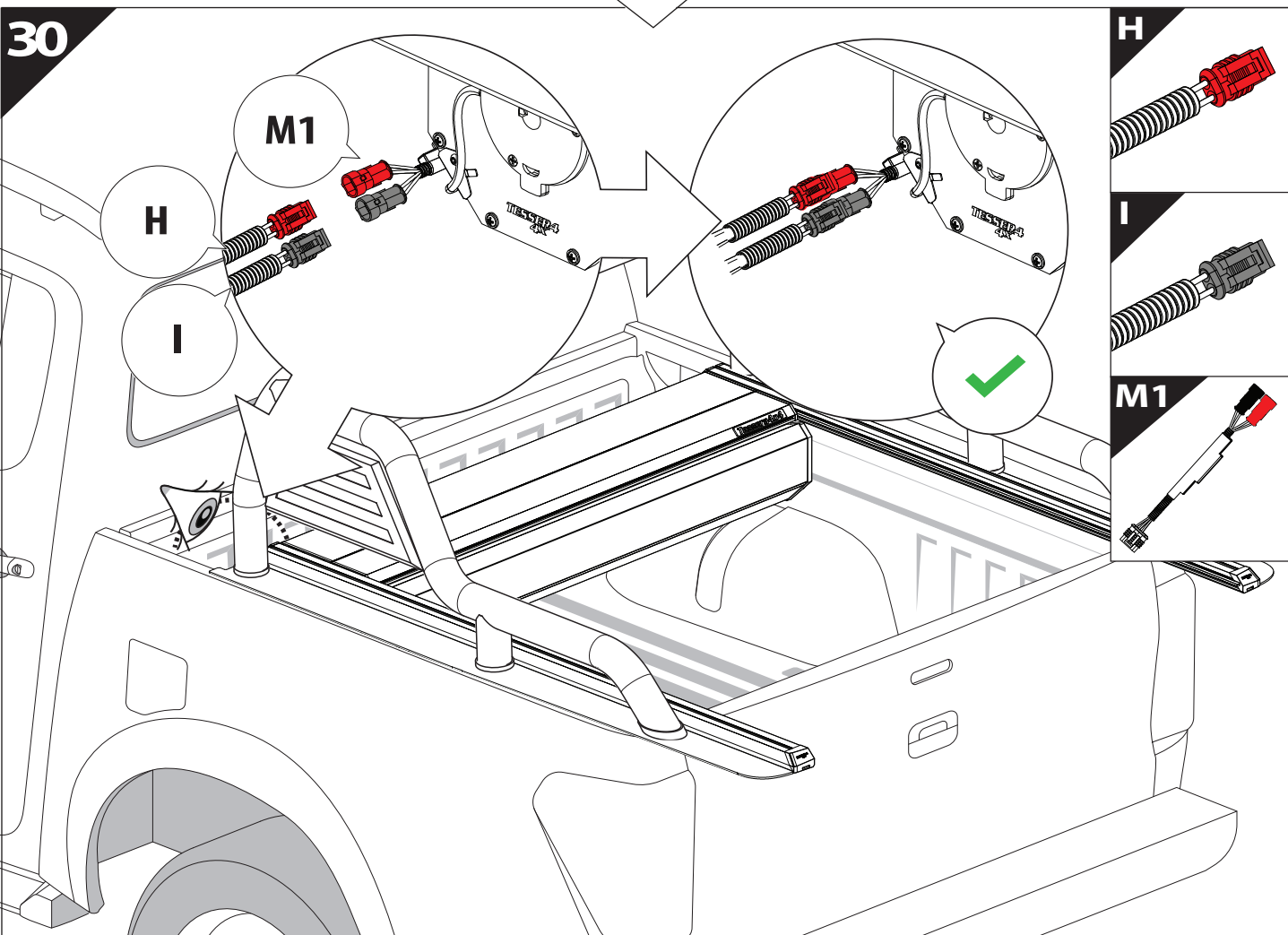
28

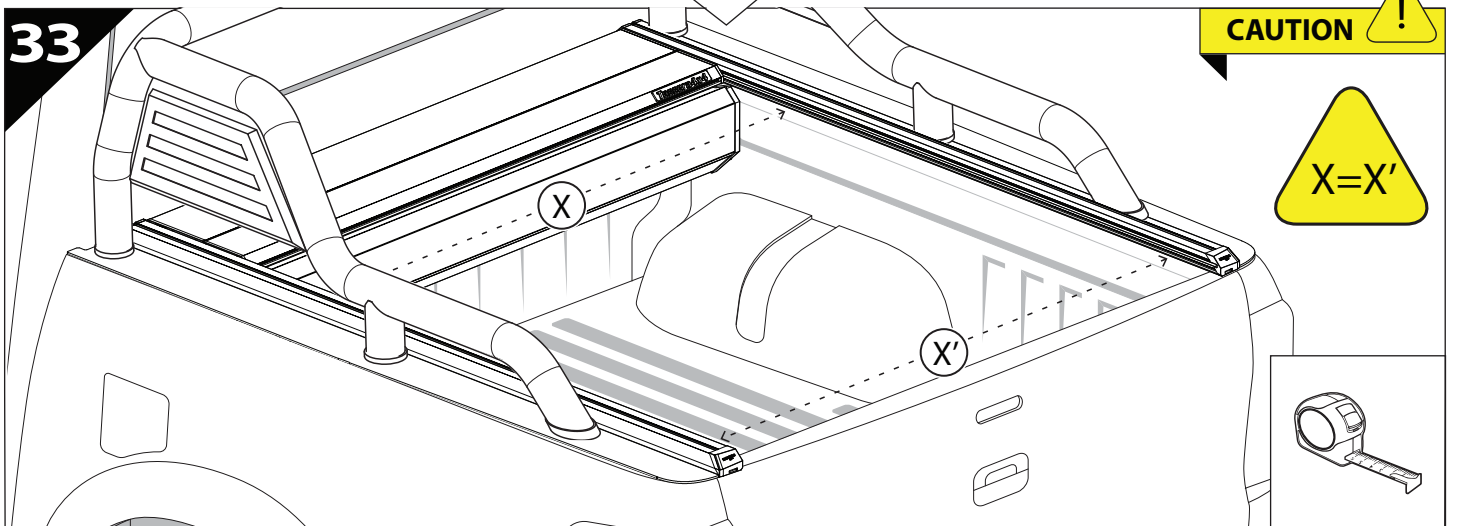
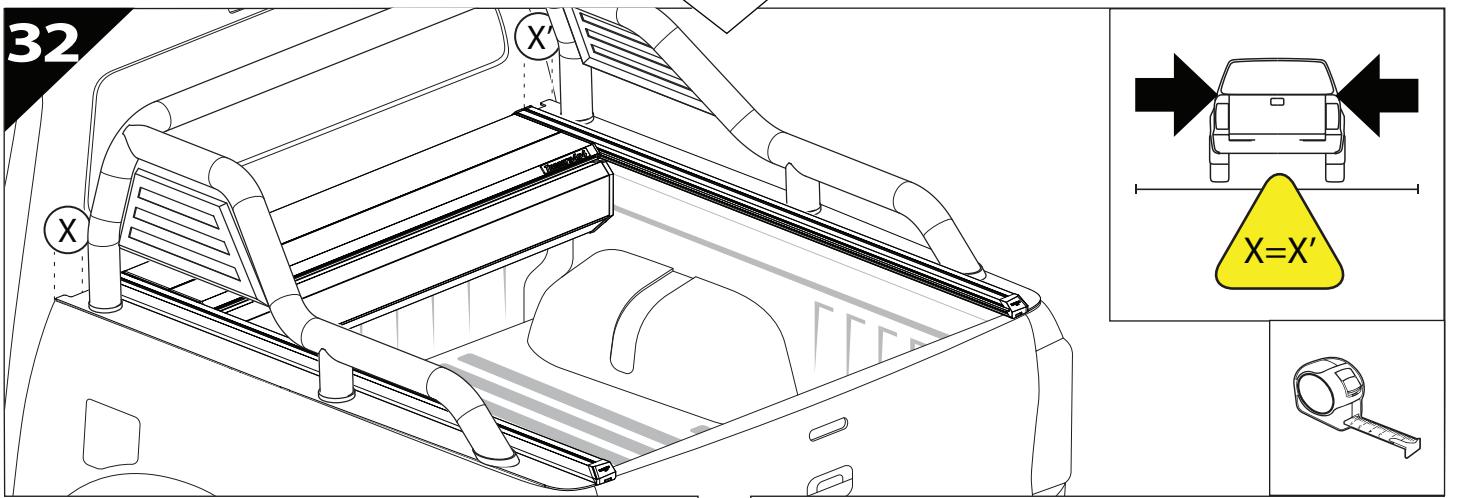
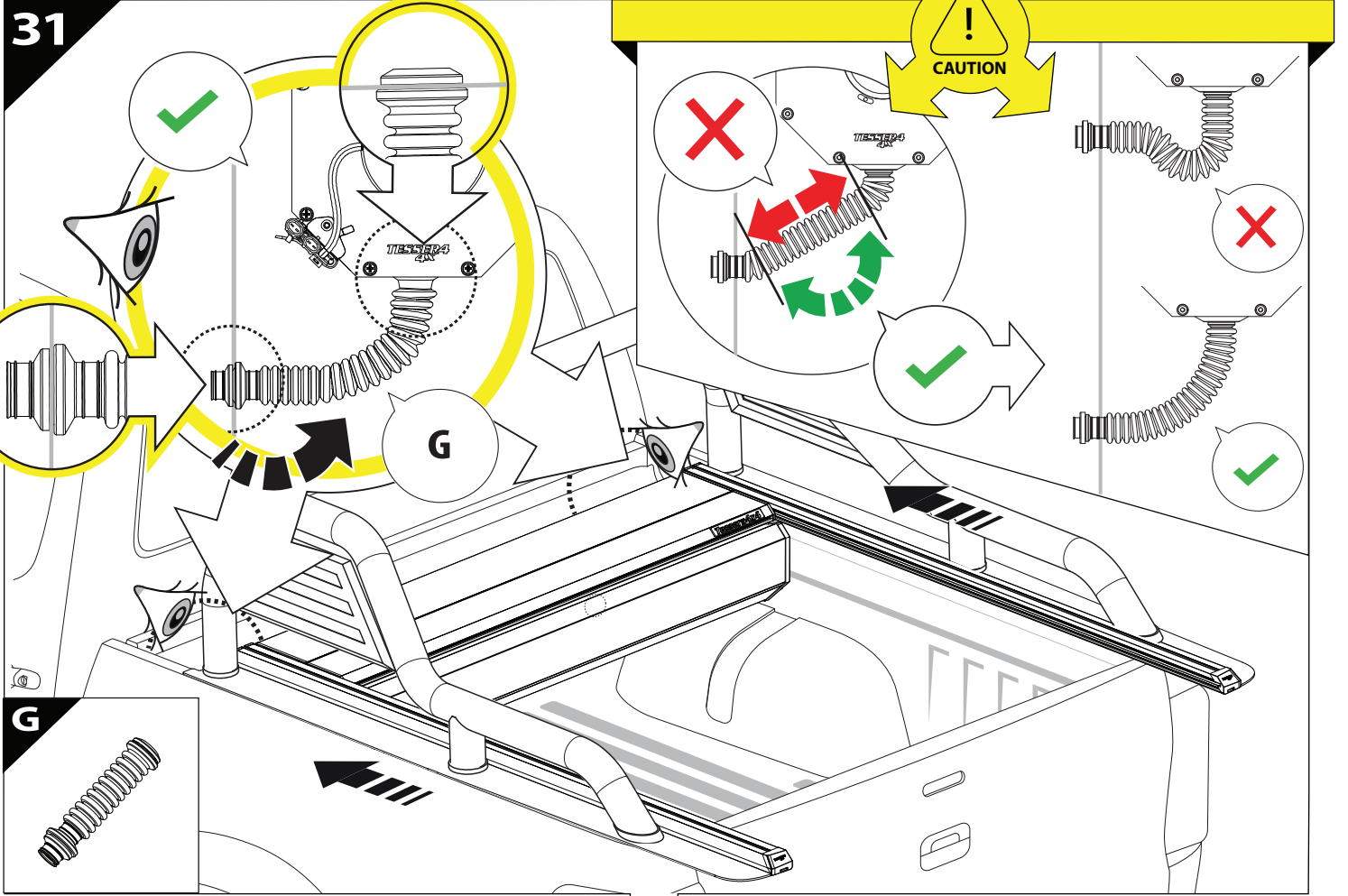


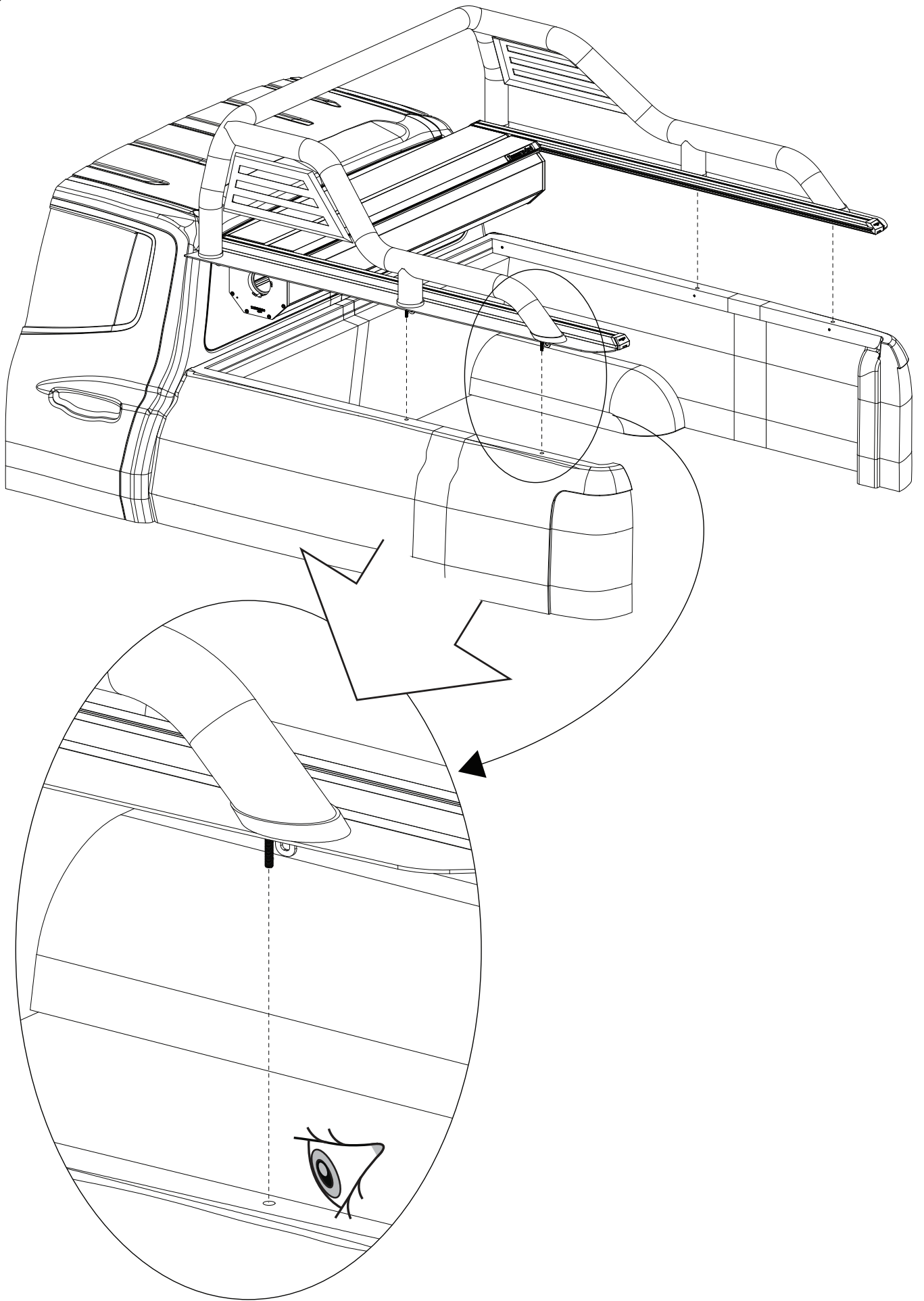
29

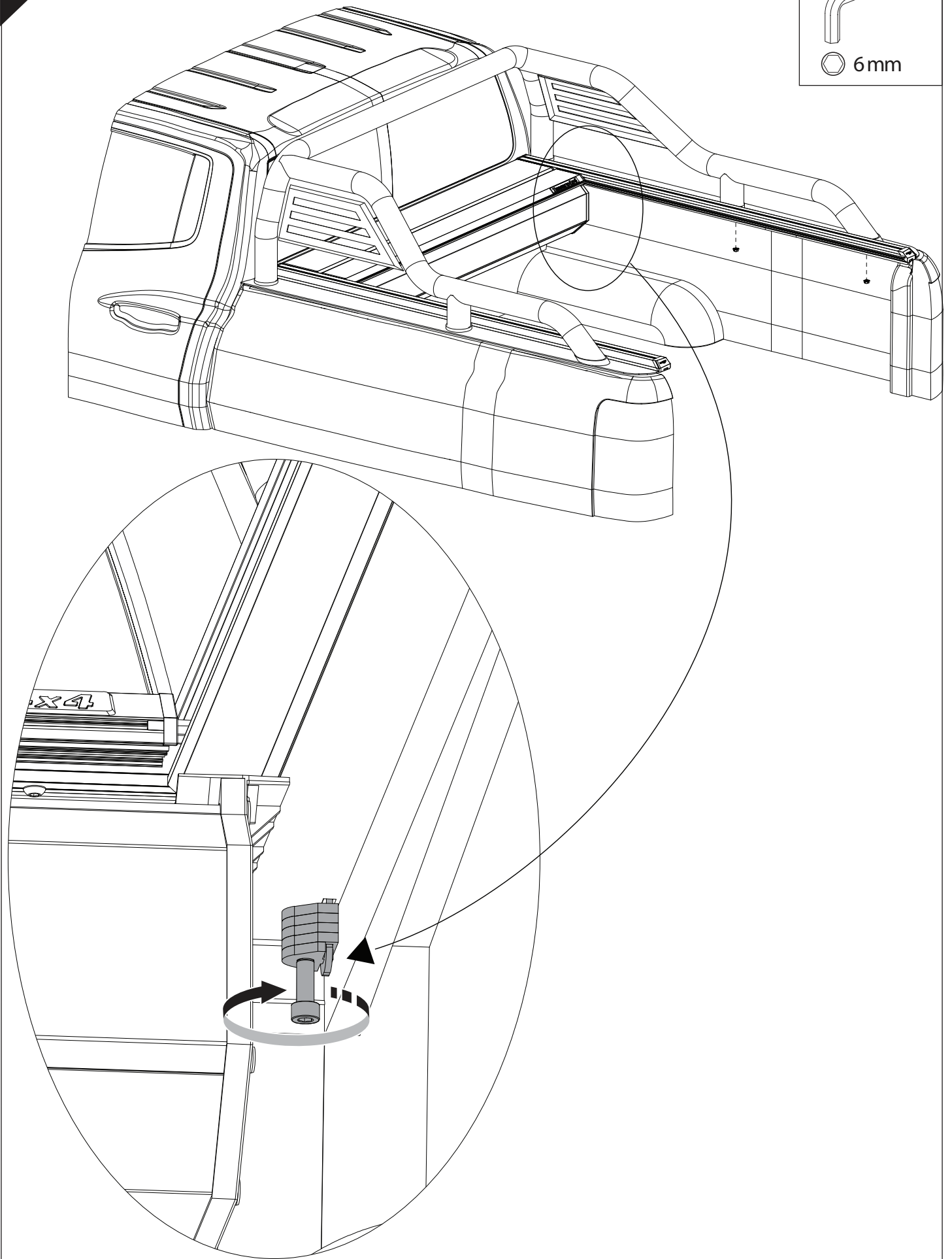
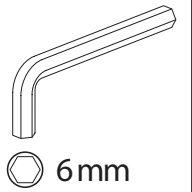


30

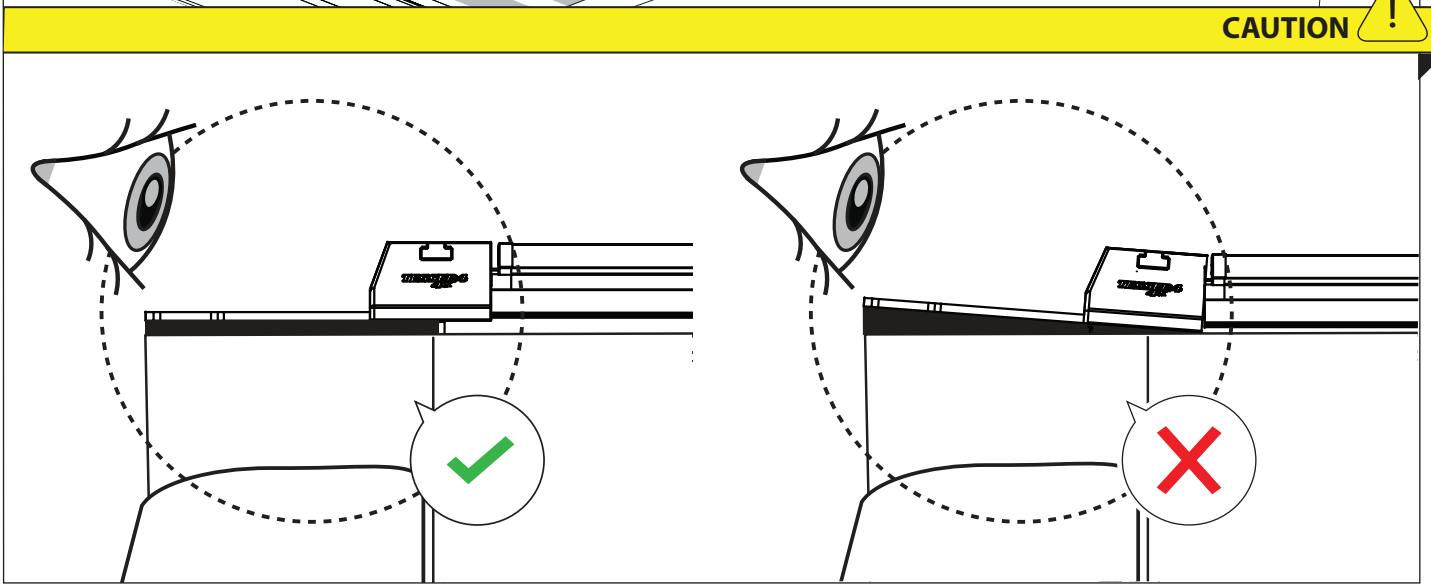
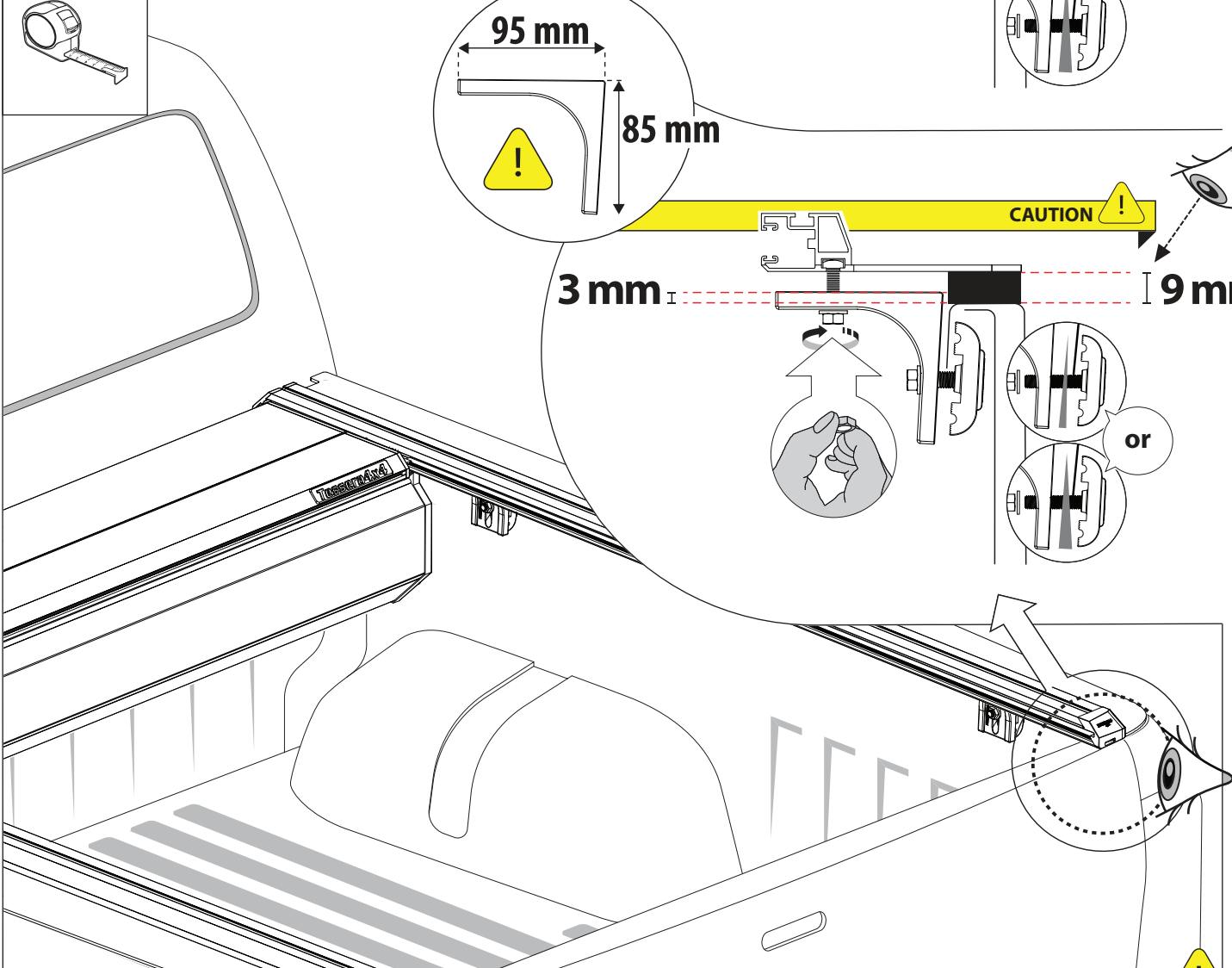
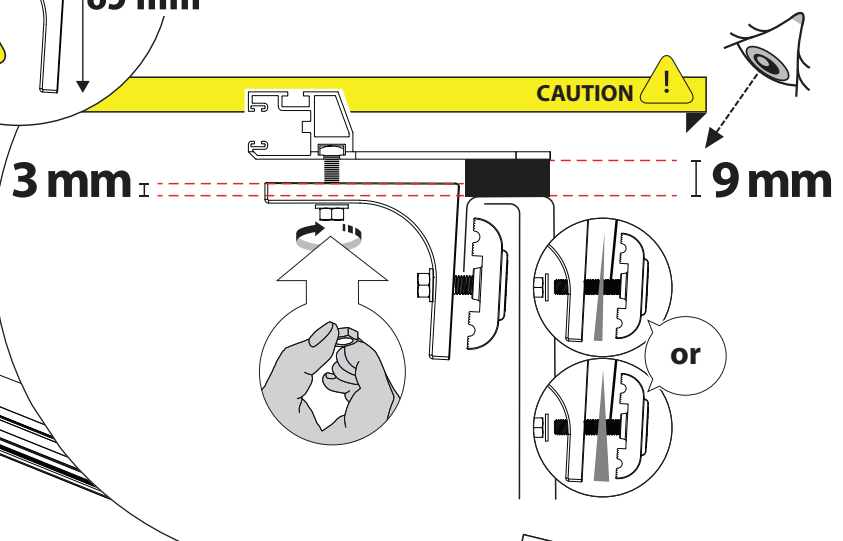
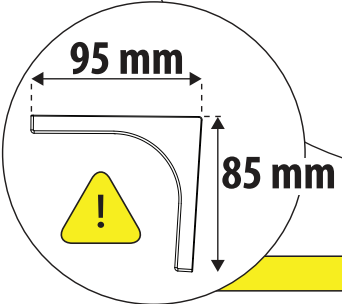
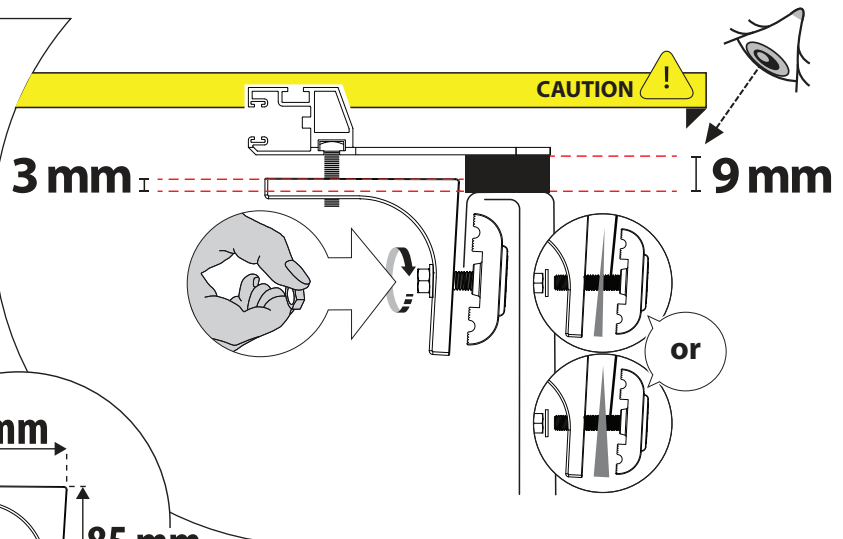
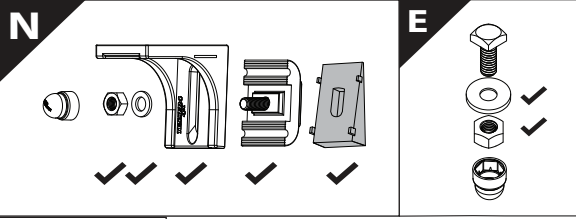


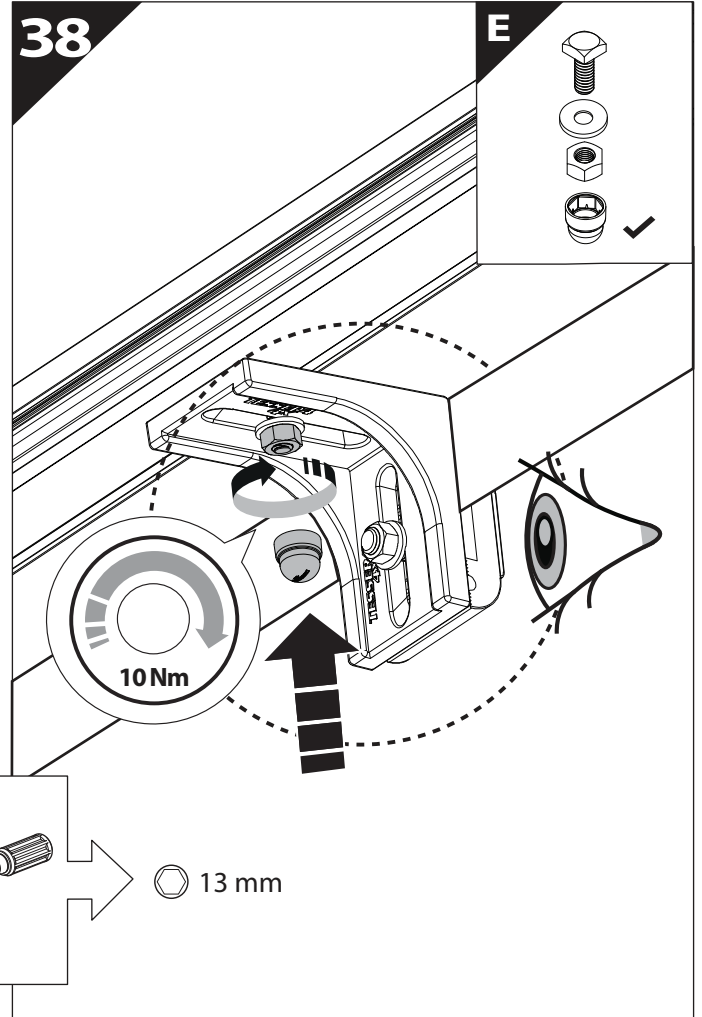
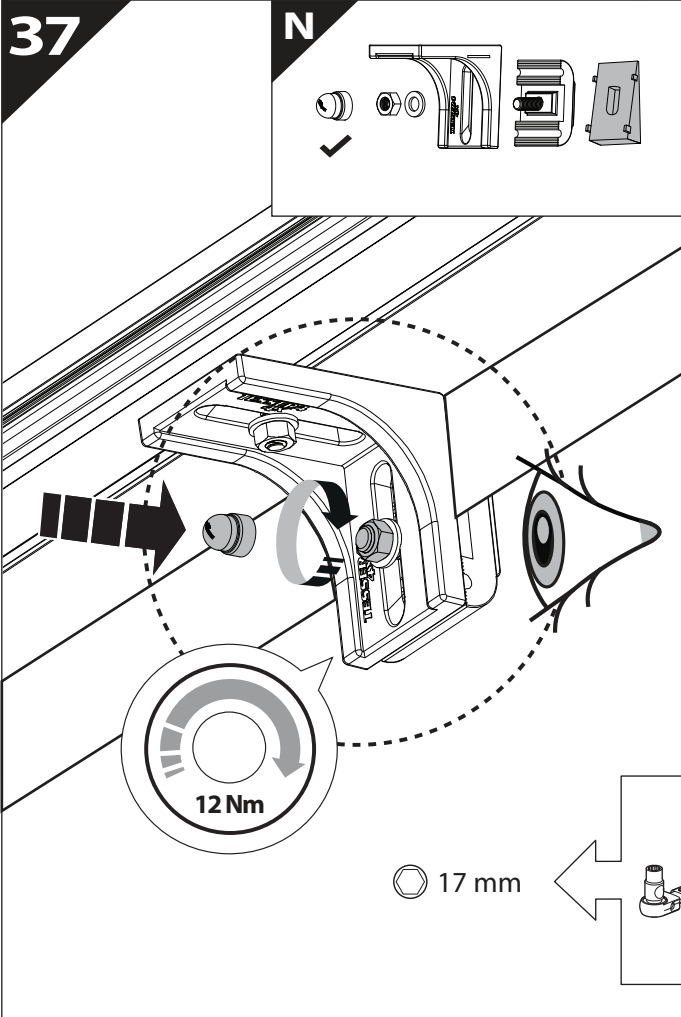




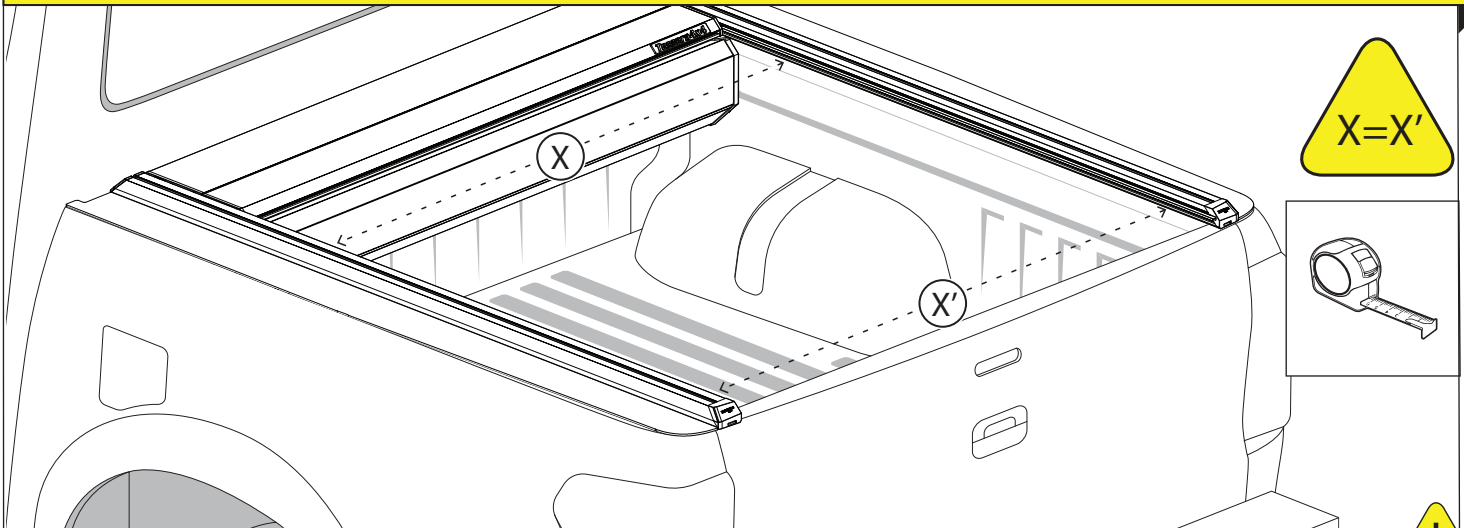


36

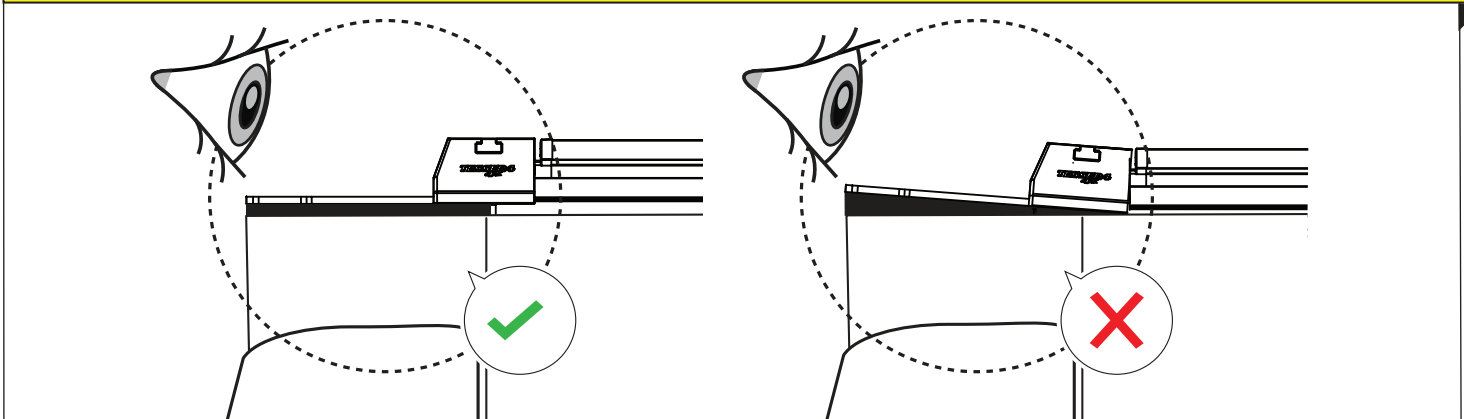


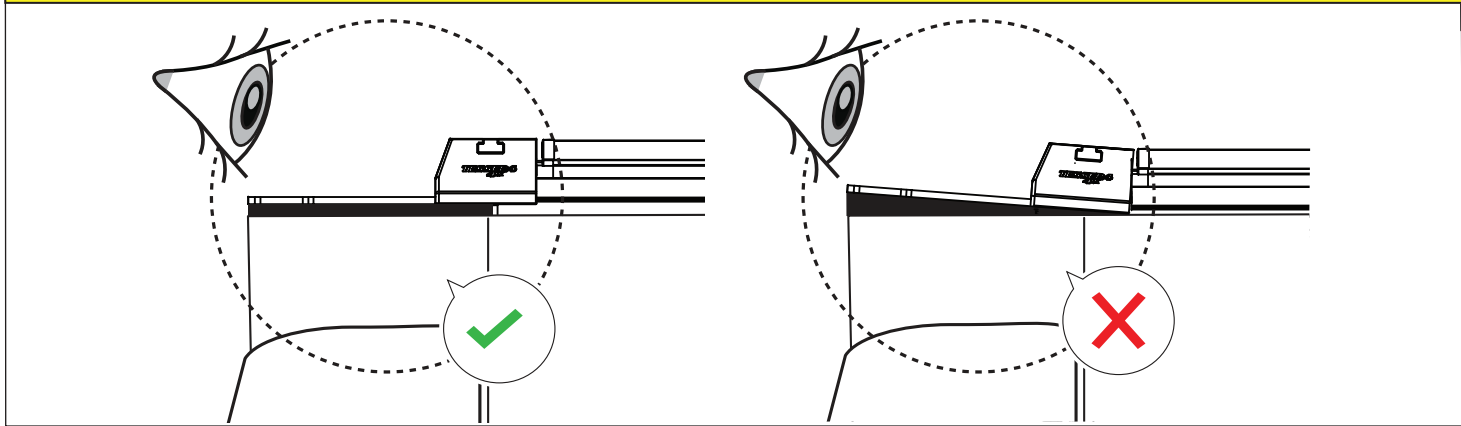
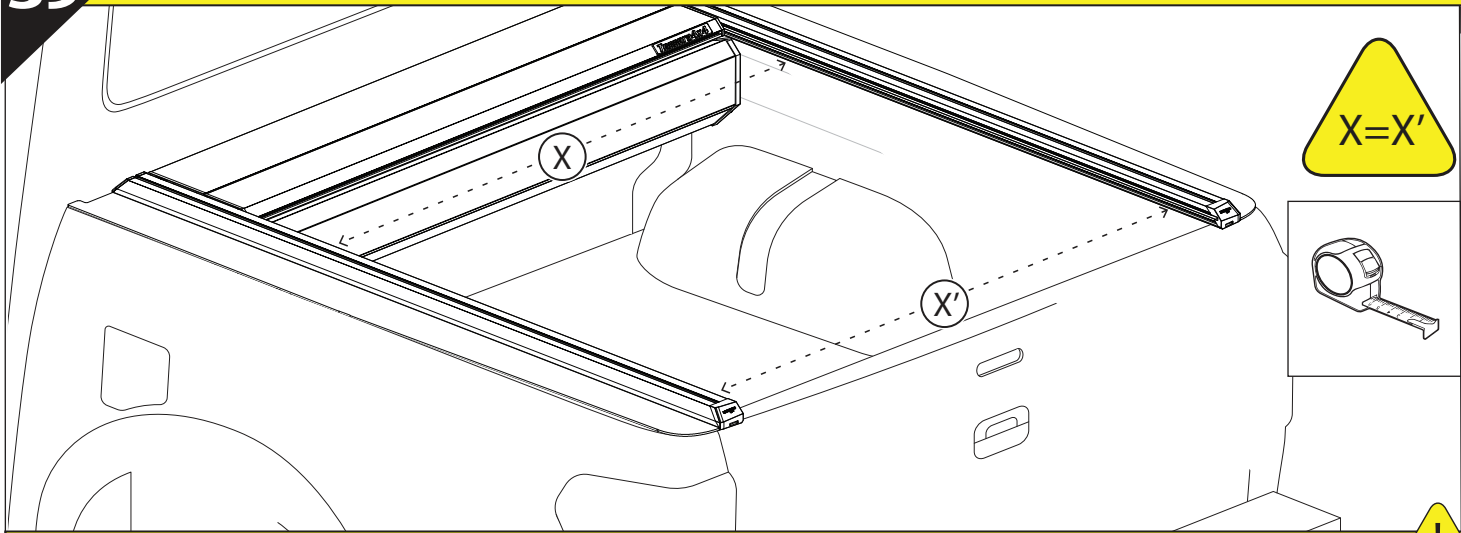


CAUTION !

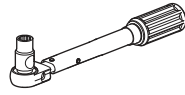


CAUTION !



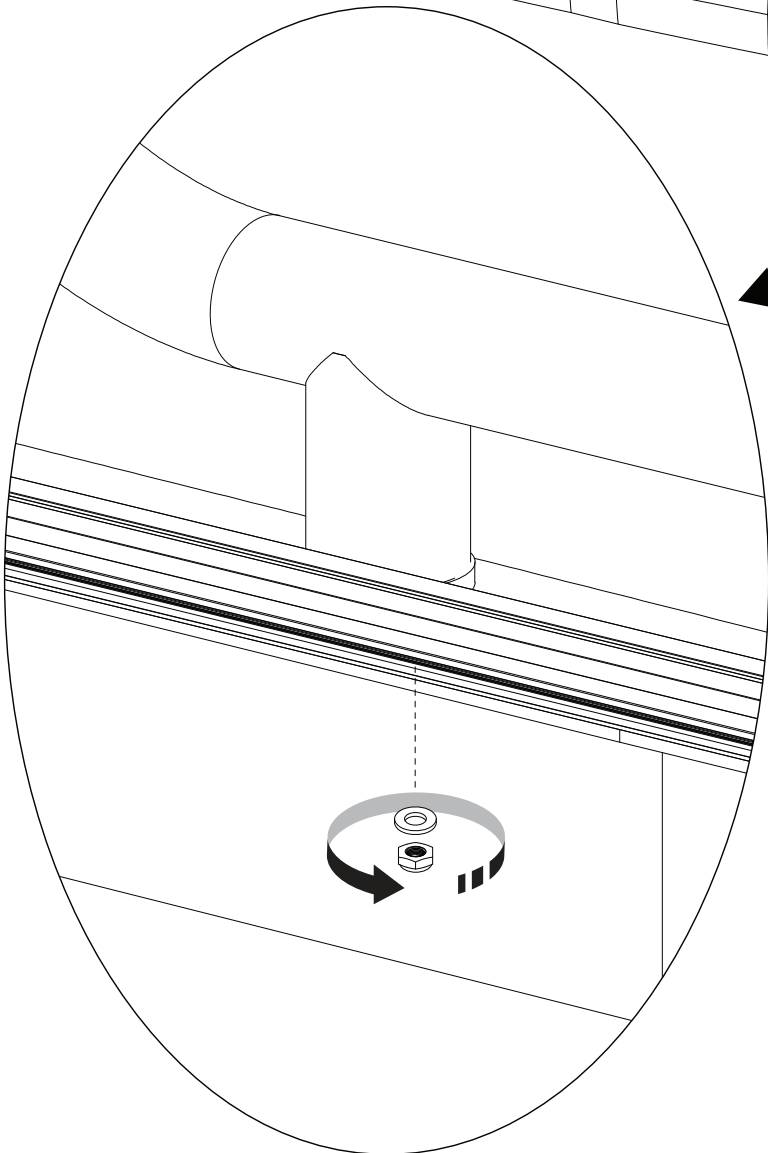
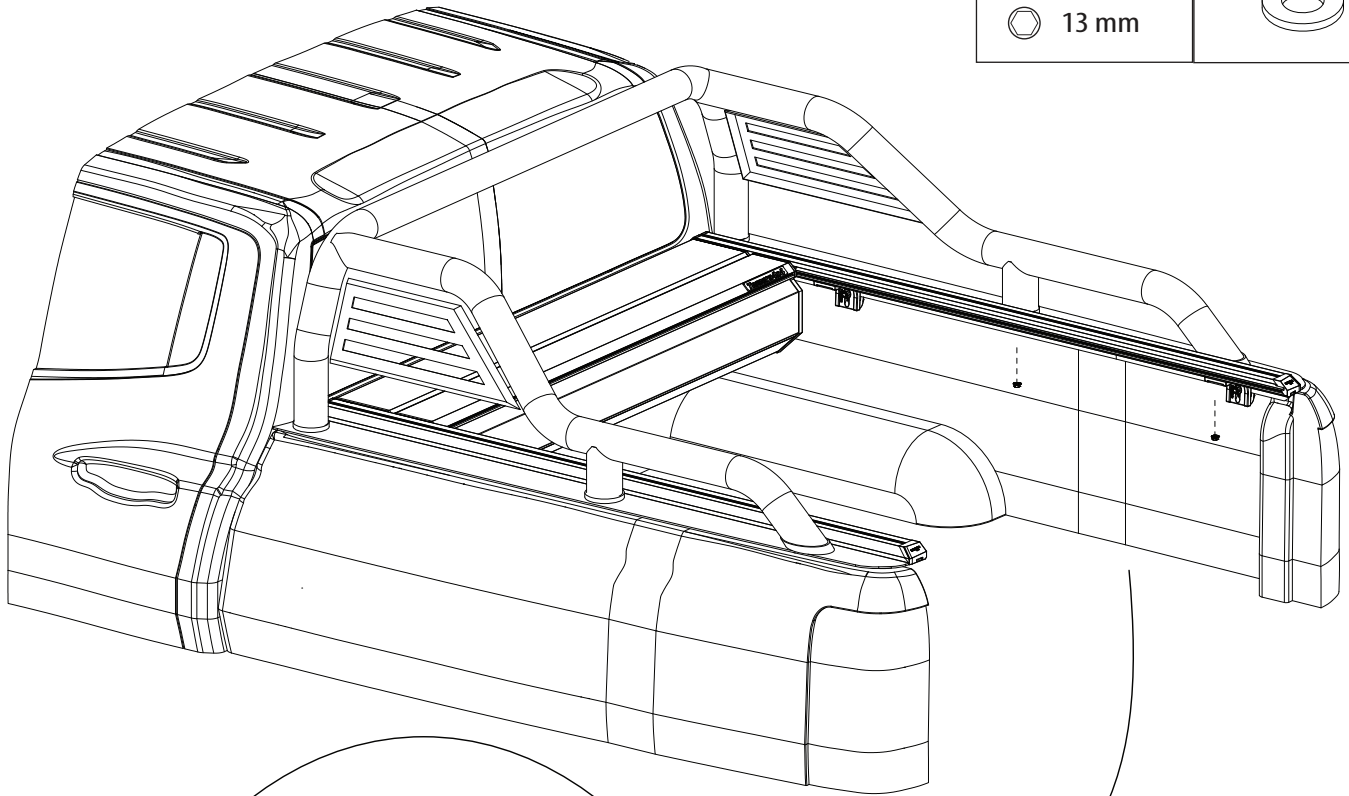
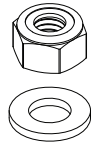


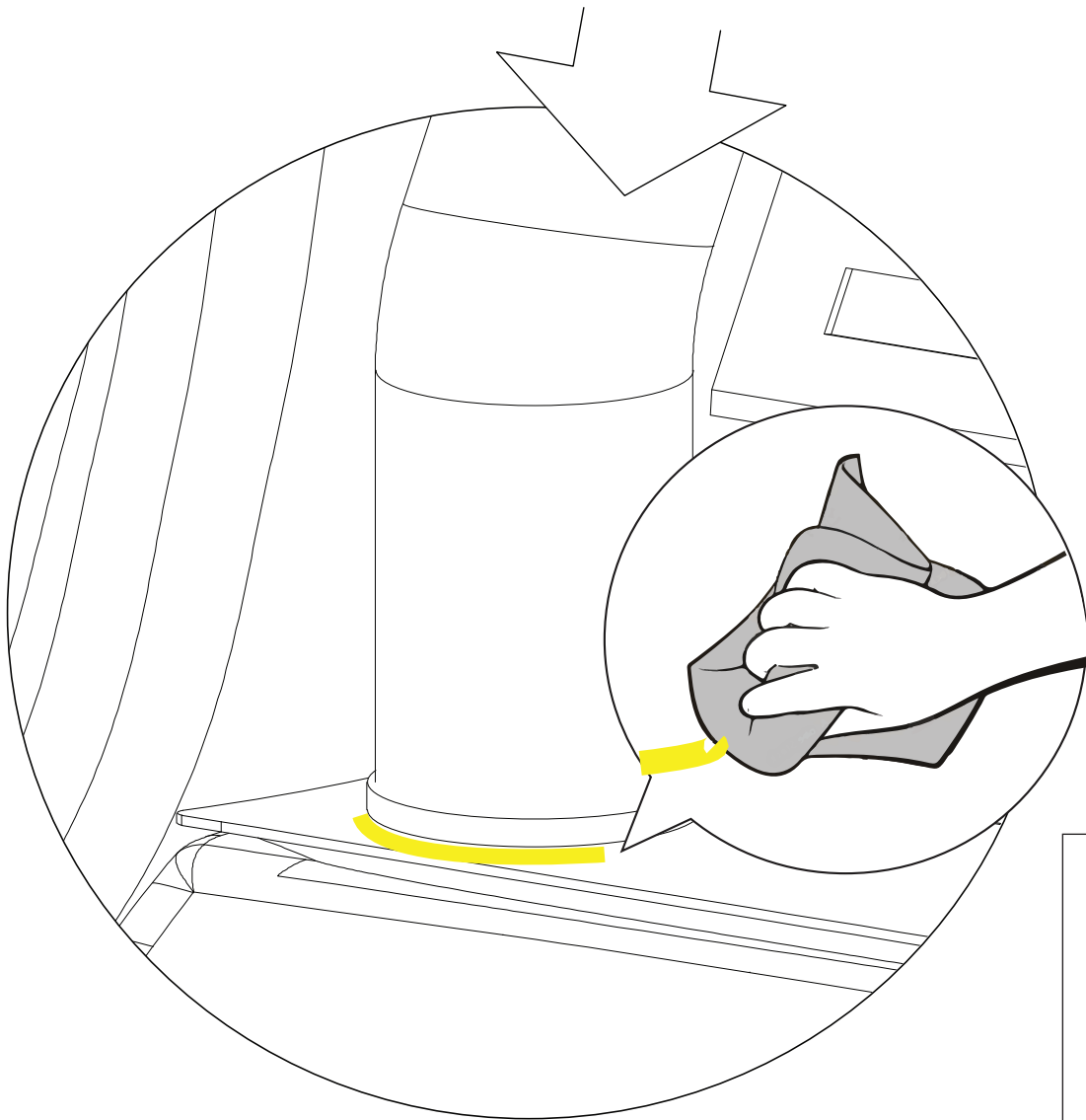
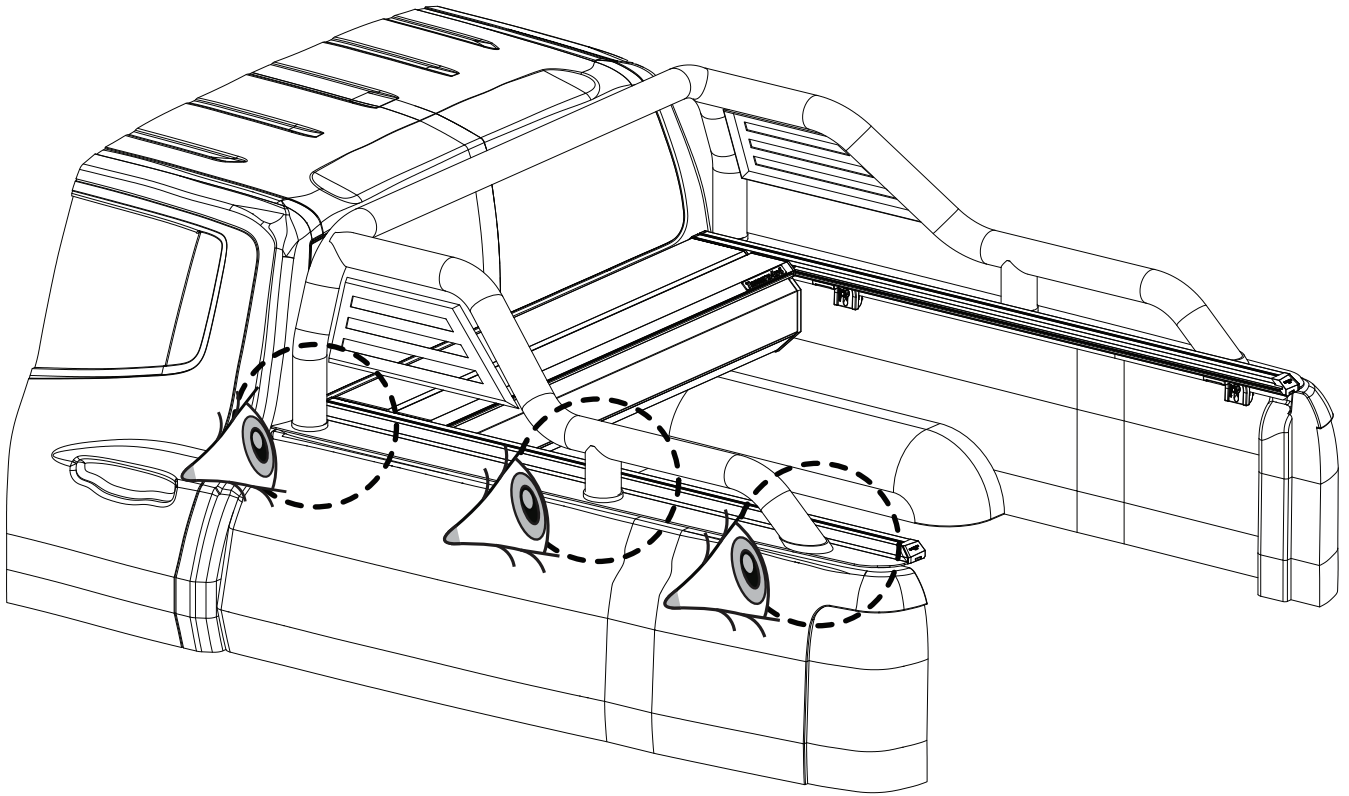
40

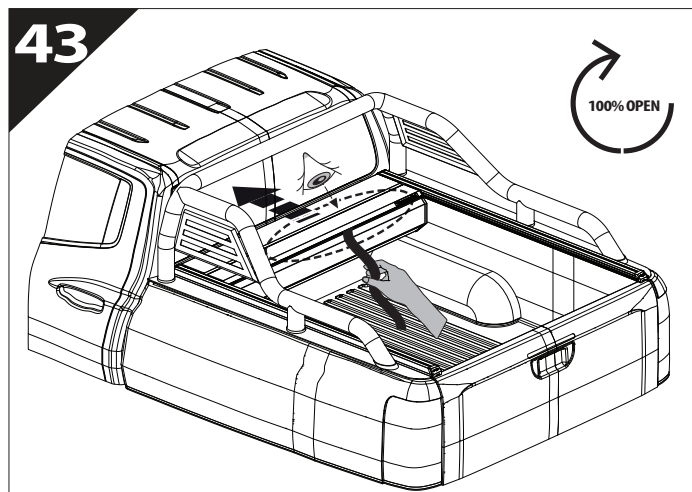
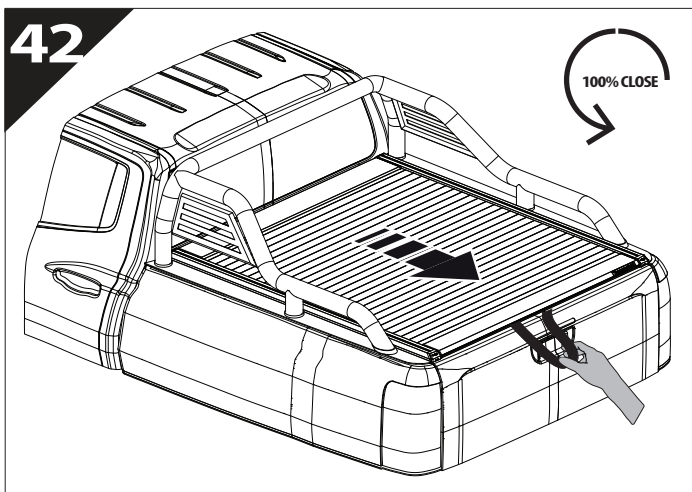


13 mm

E1







GR: Οδηγίες Εγκατάστασης
GB: Installation manual
SF: Asennusohje
F: Notice de montage
PL: Instrukcja montażu
NL: Installatie-instructies
TR: Montaj Talimatı
S: Monteringsanvisning
E: Instrucciones de montaje

H: Szerelési utasítás
P: Instruções de instalação
RUS: Инструкция по установке
N: Monteringsveiledning
D: Einbauanleitung
CZ: Návod k instalaci
I: Istruzioni de montaggio
DK: Monteringsvejledning
RO: Instructiuni de instalare

Customer Service:

+30 (210) 5541161, +30 (210) 5541154 (08:00 - 16:00 EET)

Support department:

info@gianso.gr

Website:

www.tessera4x4.com

Address:

19.5 km of National road Athens-Korinthos (Elefsina) Greece, P.C: 19200