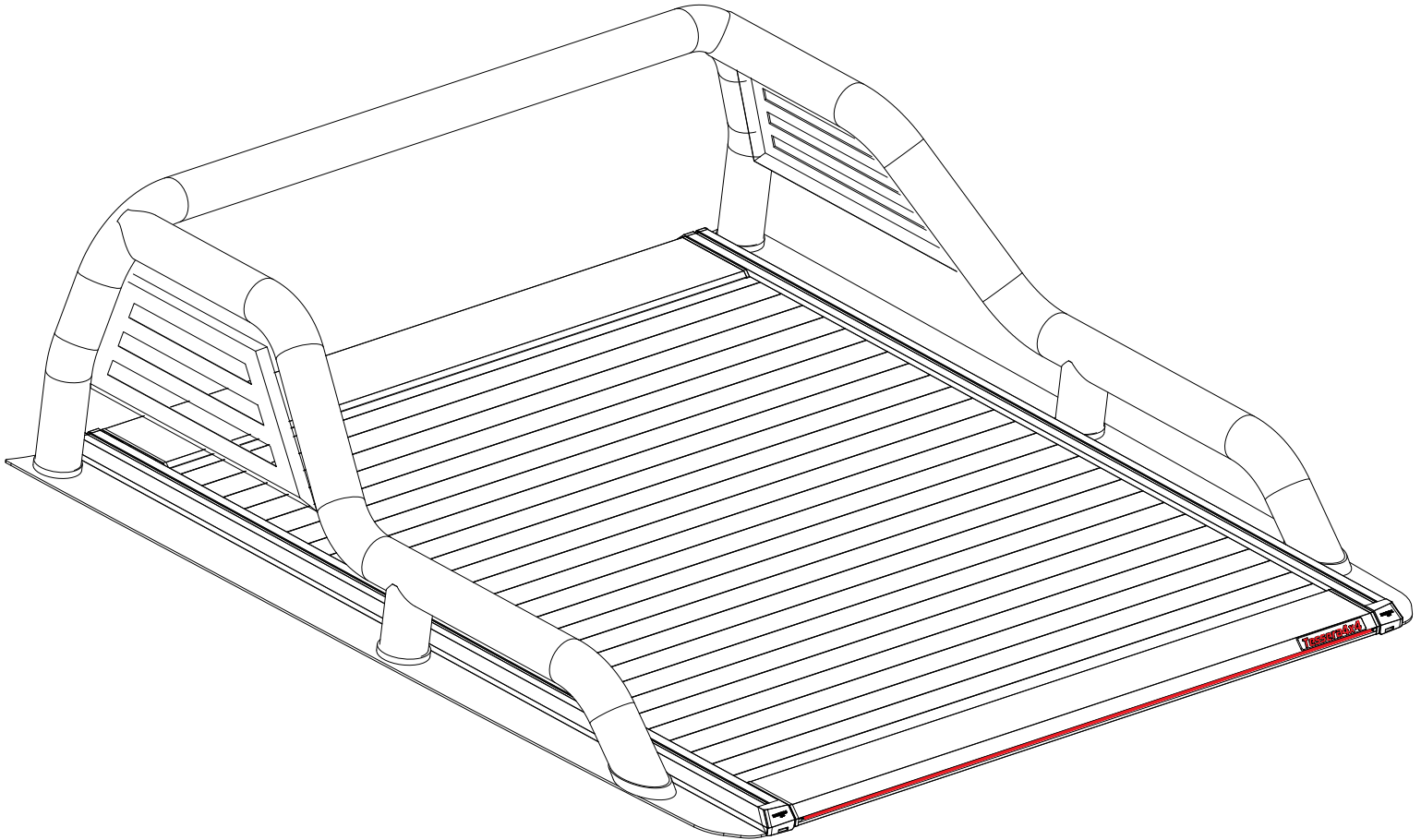


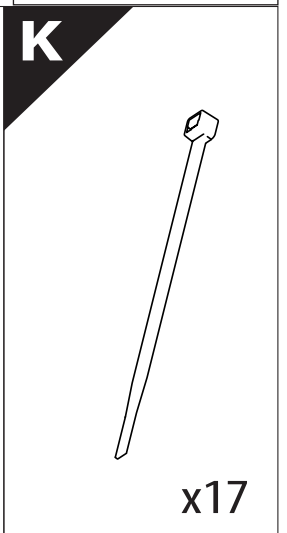
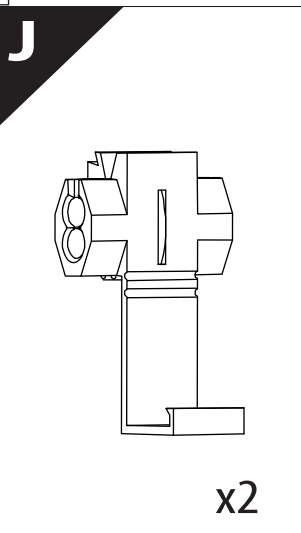
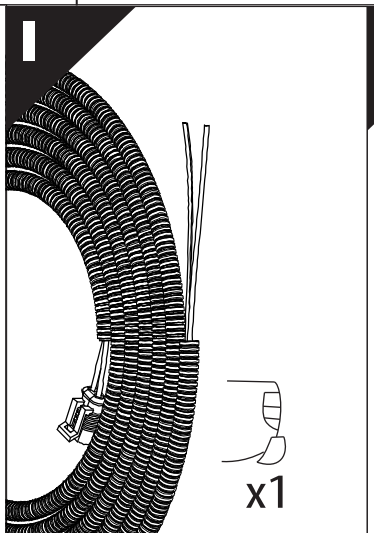
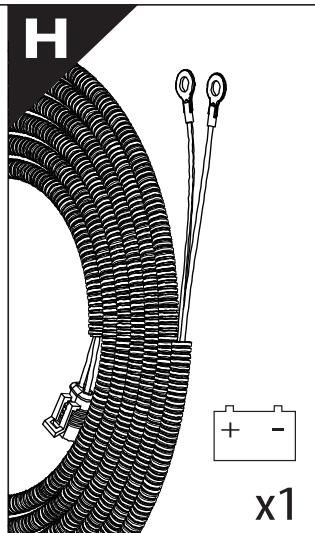
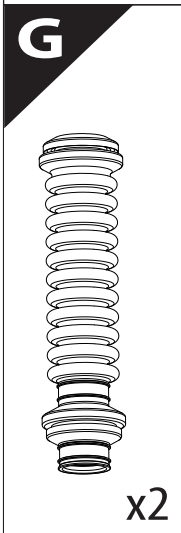
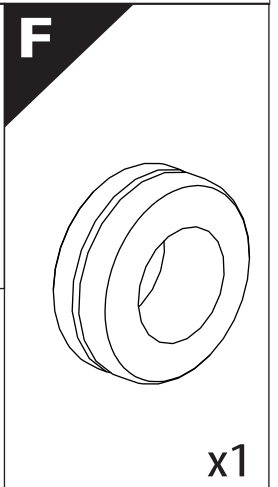
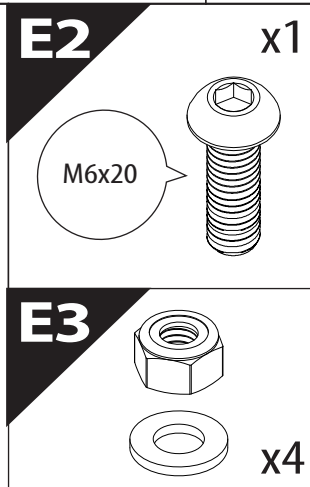
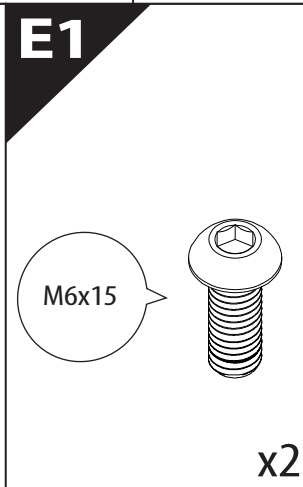
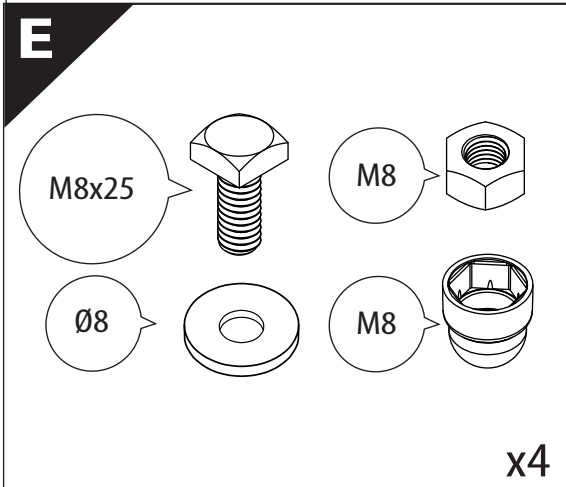
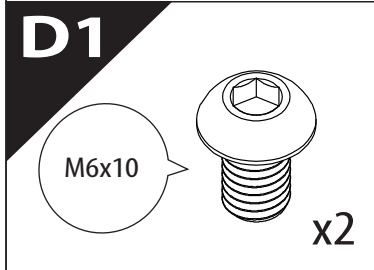
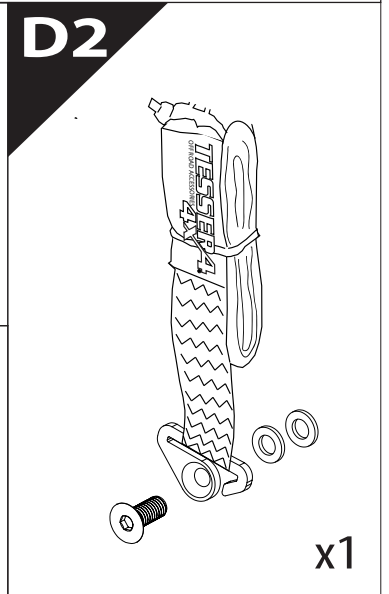
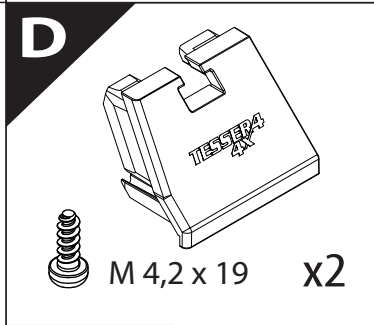
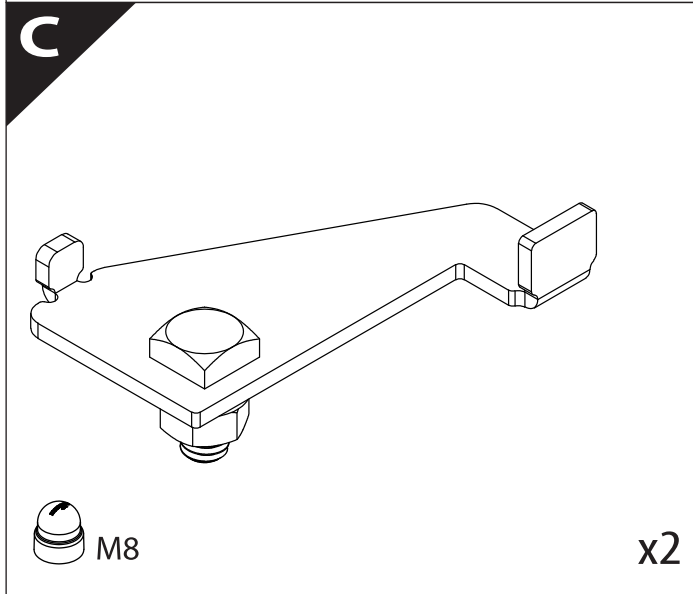
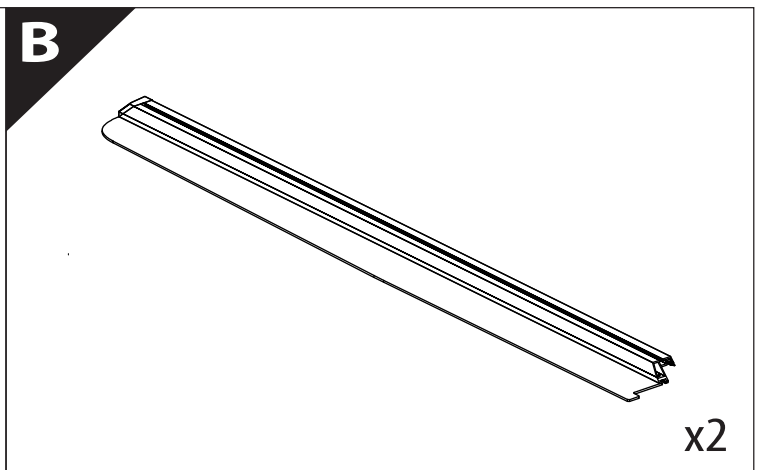
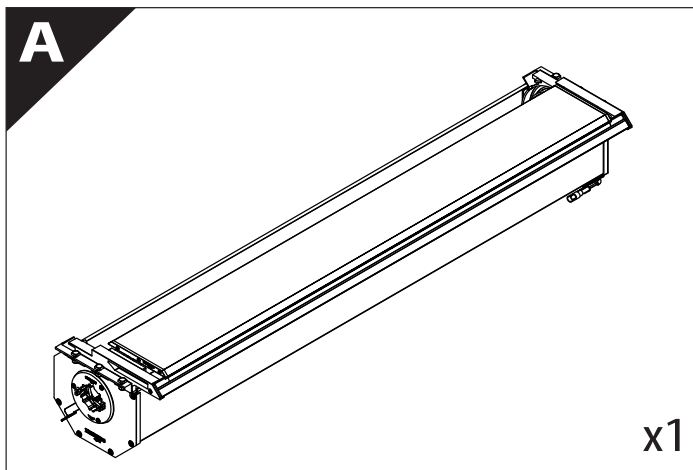
Tessera Roll+

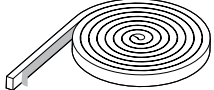
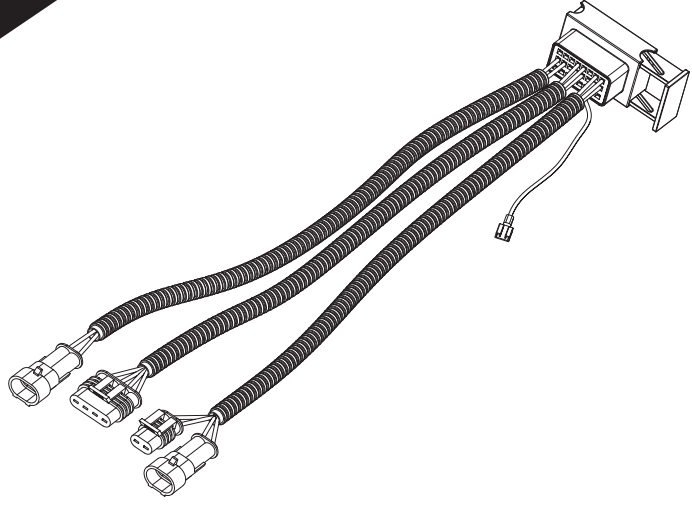
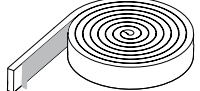
Basic Version + ⚡ E-KIT



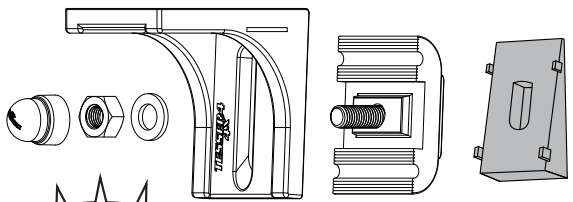
Installation Manual

| PART NUMBER(S) | Model Year |
|------------------------|---|
| TESS 14431 ROLL+ E-KIT | FOTON TUNLAND V9 WITH OEM ROLLBAR 2024+ |
| Cab(s) | Installation Time / Weight |
| Double Cab | 40-60 minutes / 53-57 kg |



| | |
|--|--|
| <p>L1 x1</p>  <p>1.5 x 0.8 x 400cm</p> | <p>M2</p>  <p>x1</p> |
| <p>L2 x1</p>  <p>5 x 0.8 x 167cm</p> | |

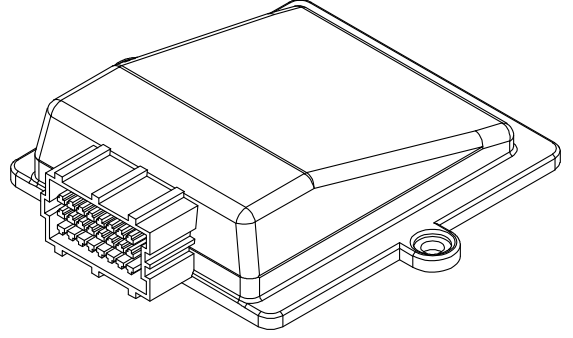
N



M10

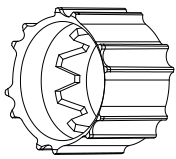
x4

O



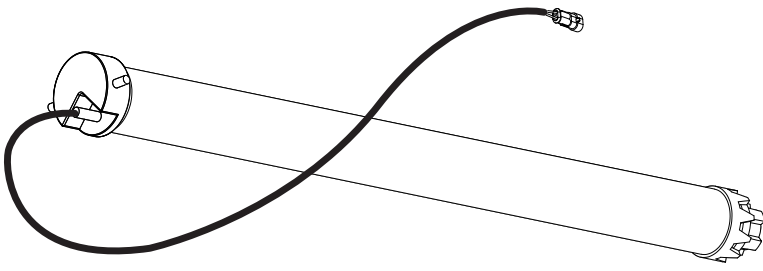
x1

P



x1

Q



x1

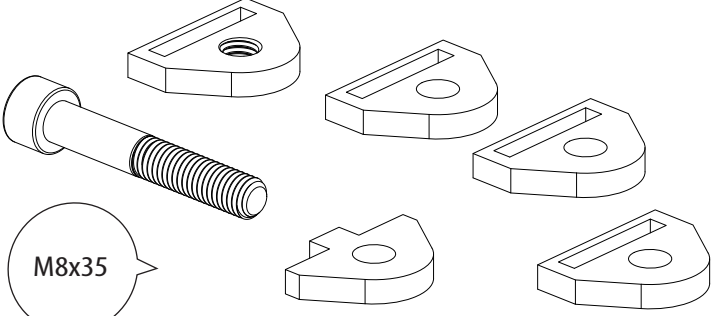
R



Silicone

x1

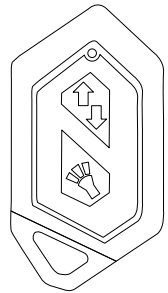
S



M8x35

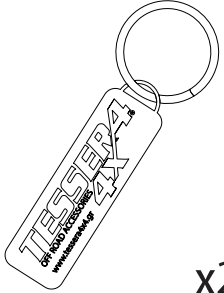
x2

T

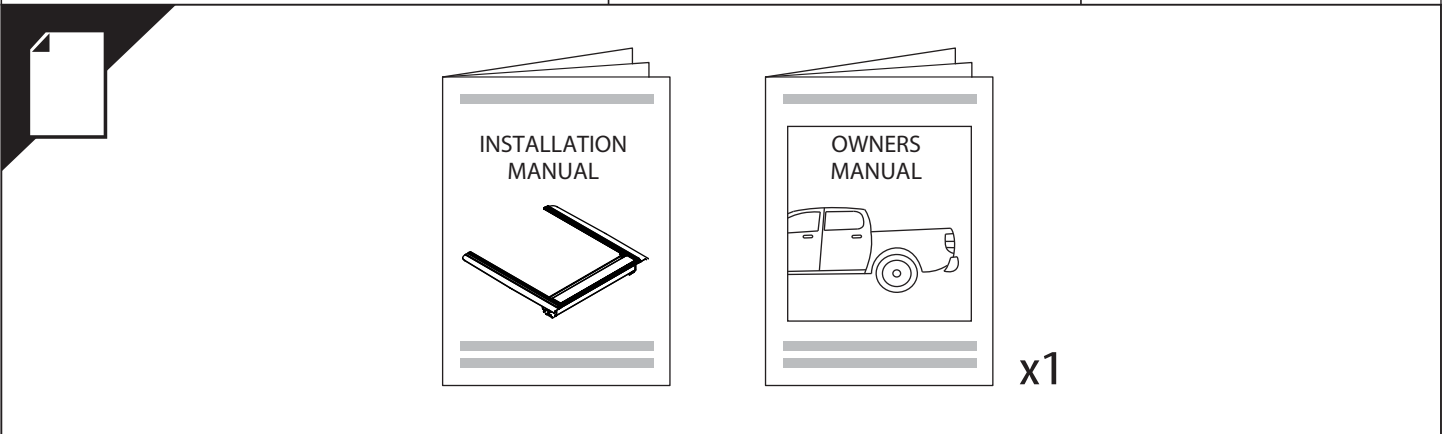
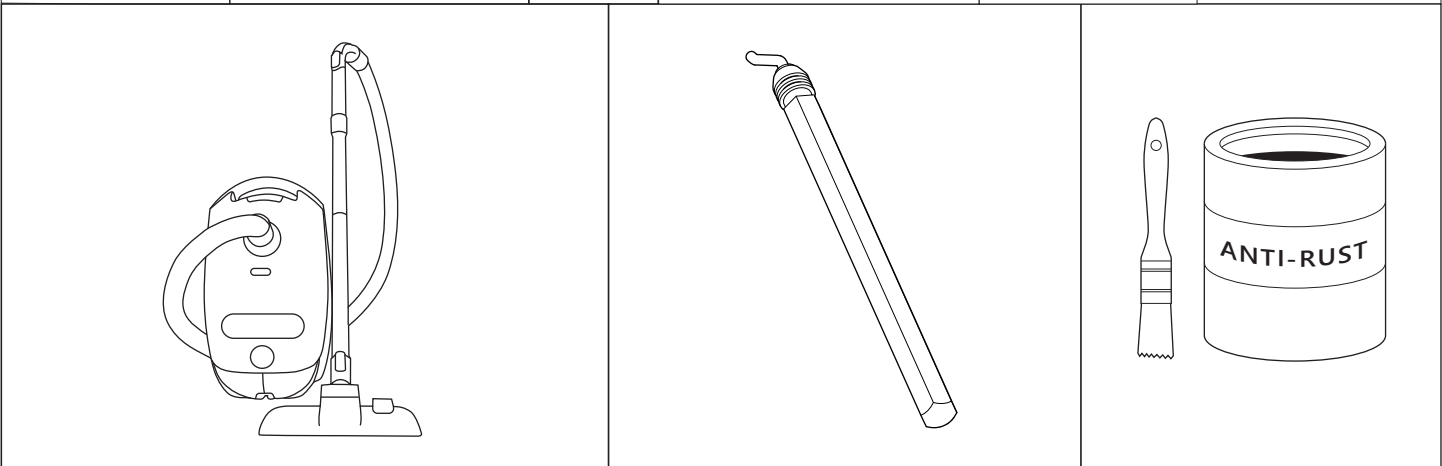
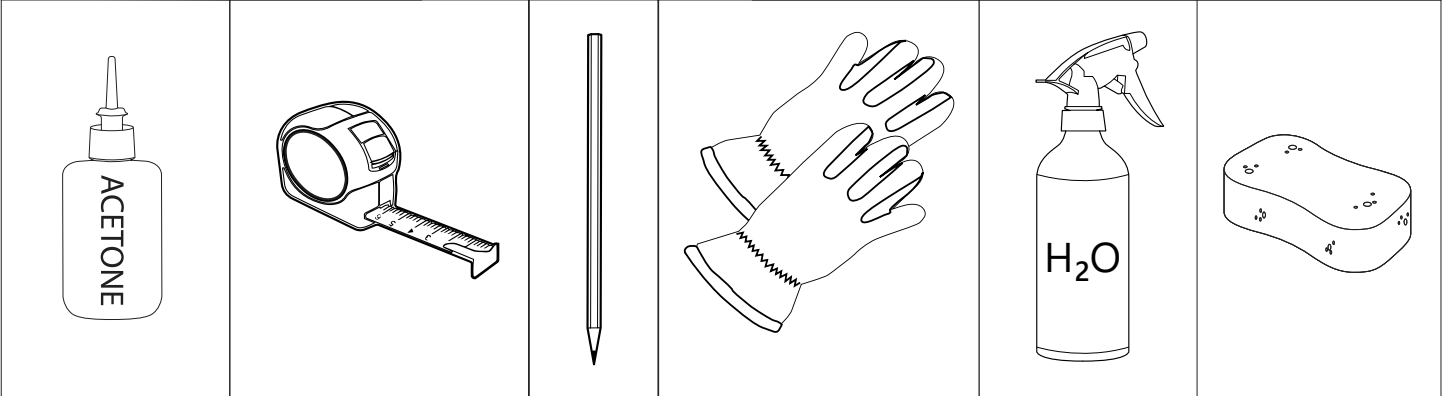
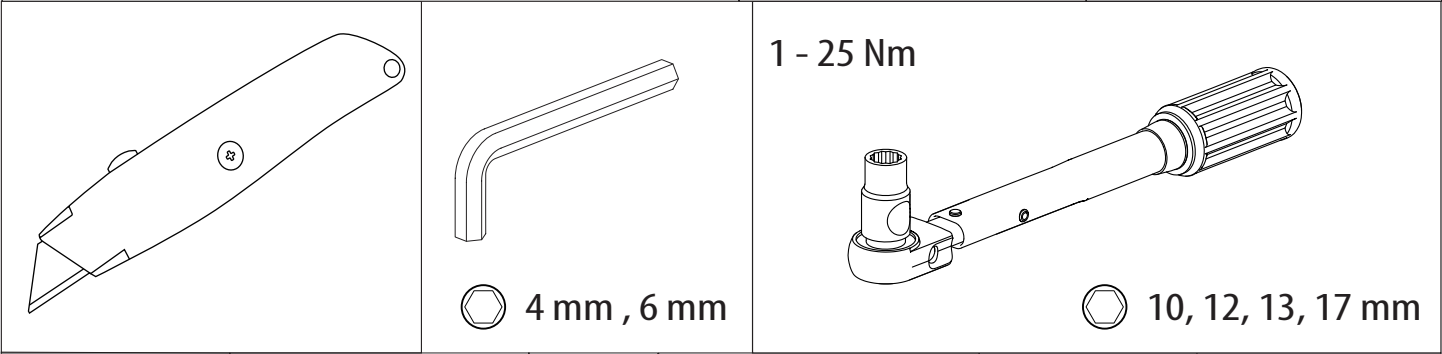
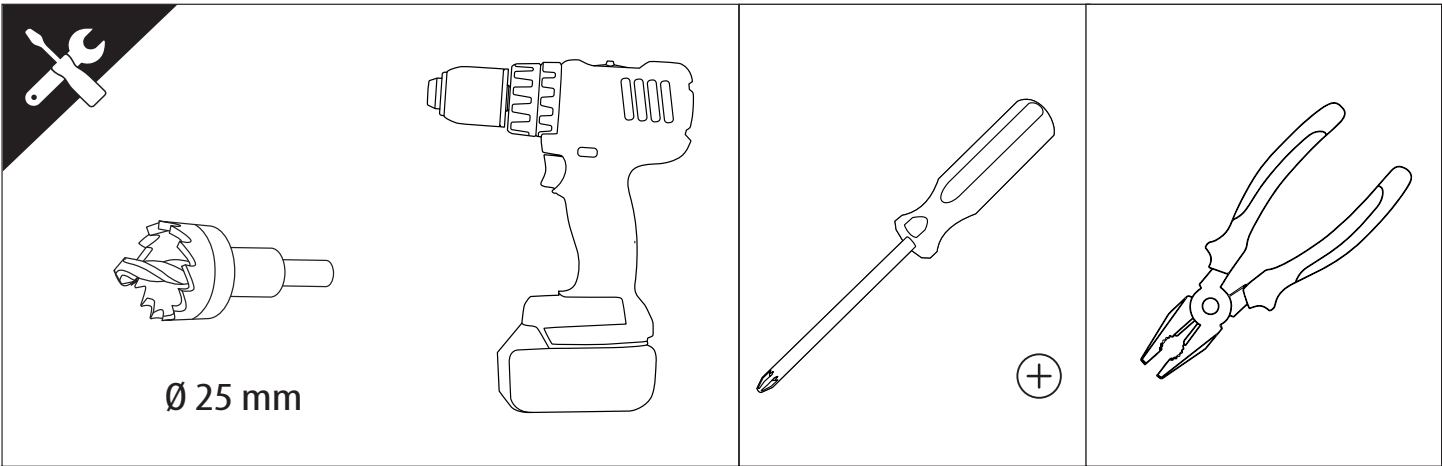


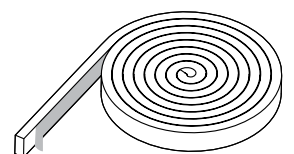
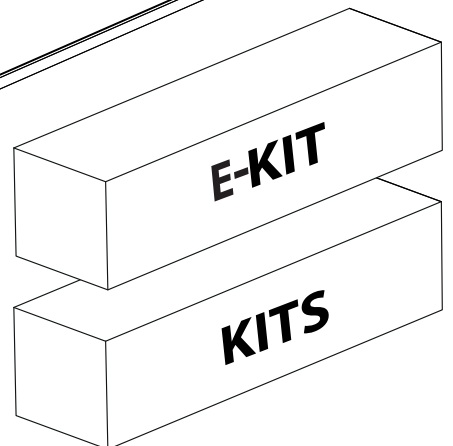
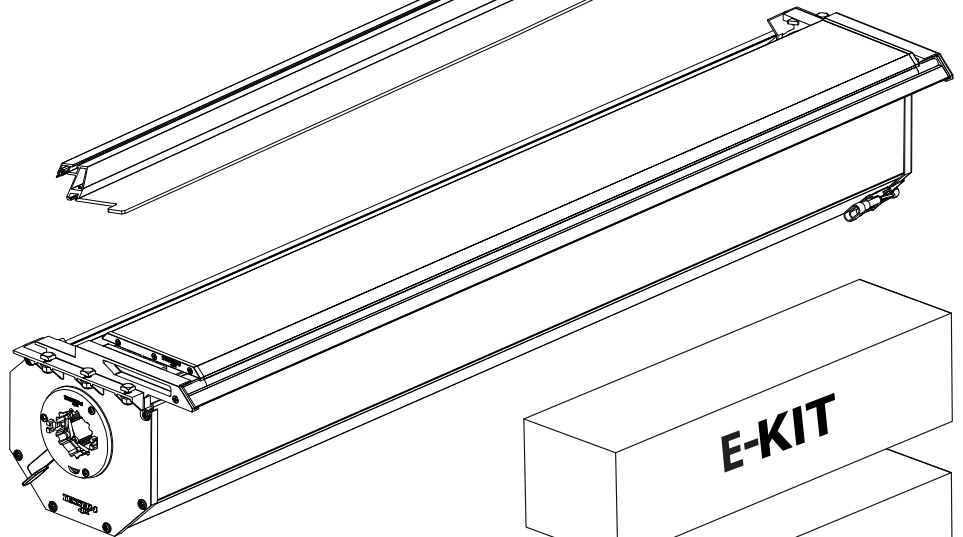
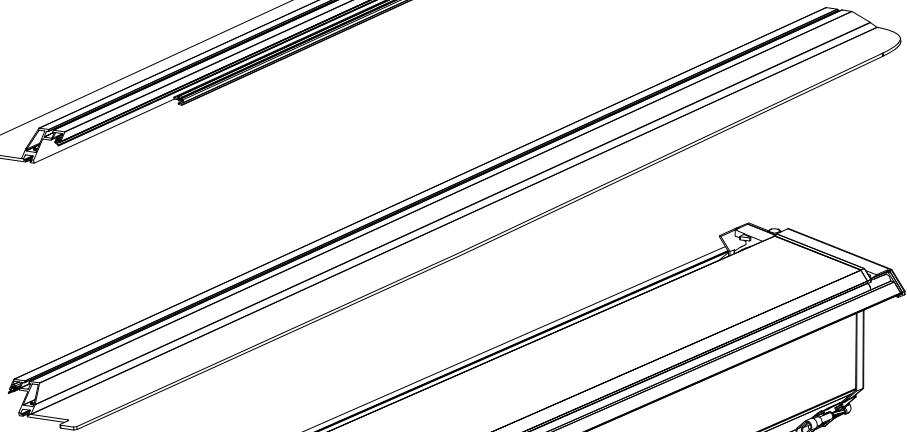
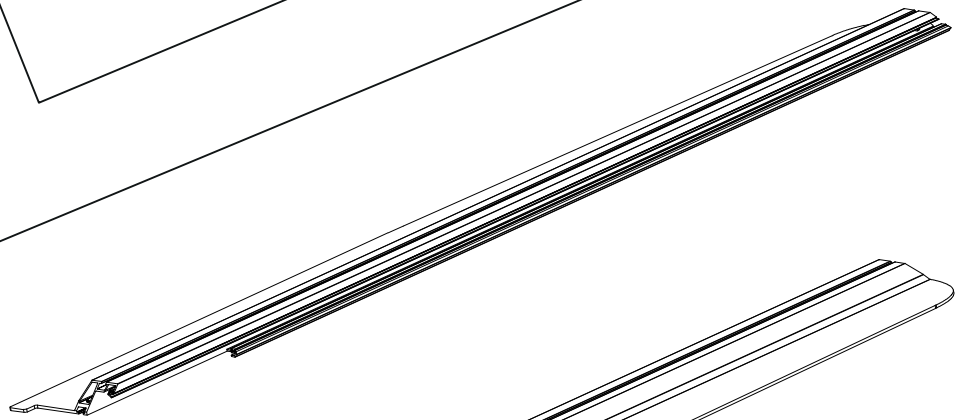
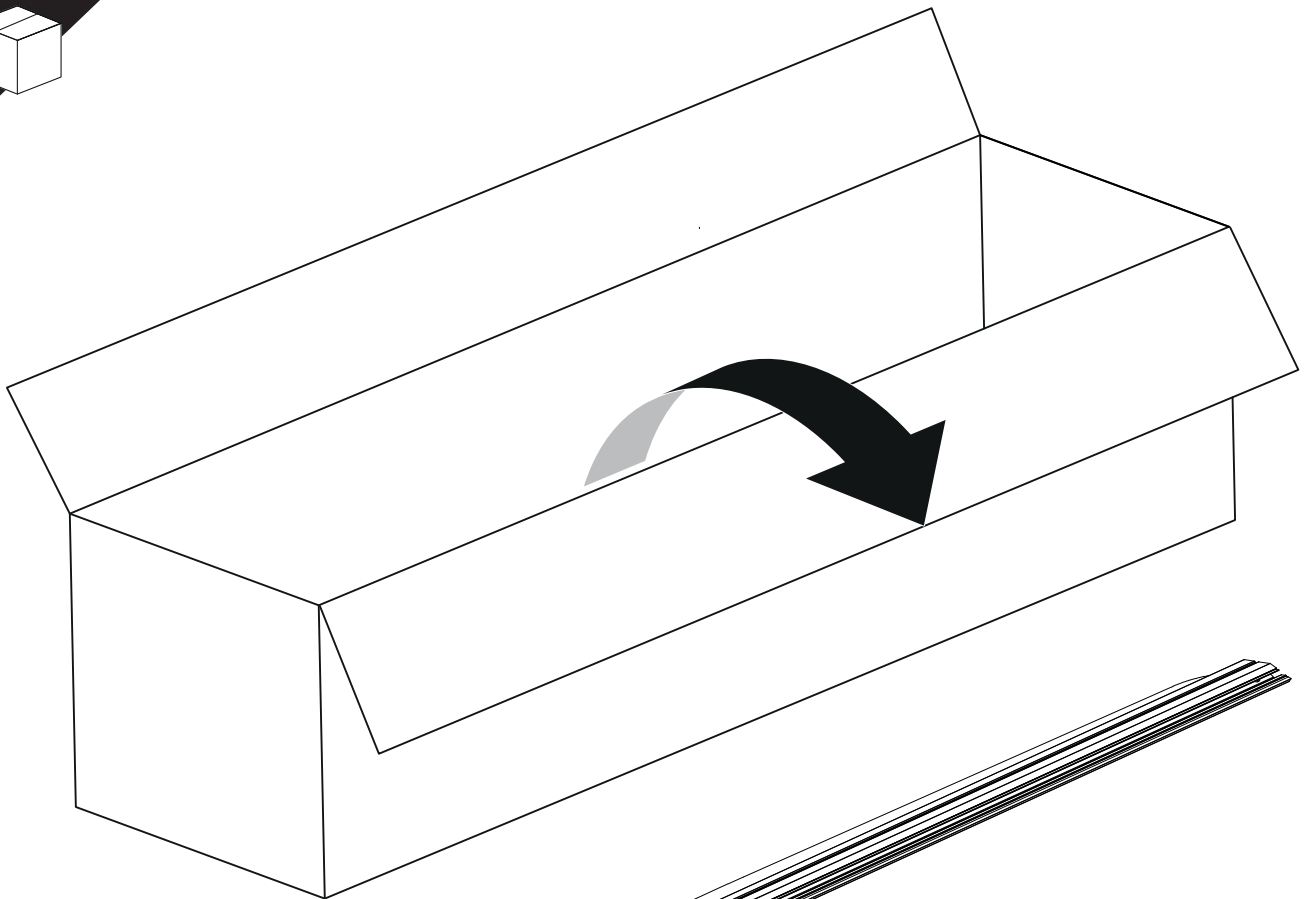
x2

U



x2



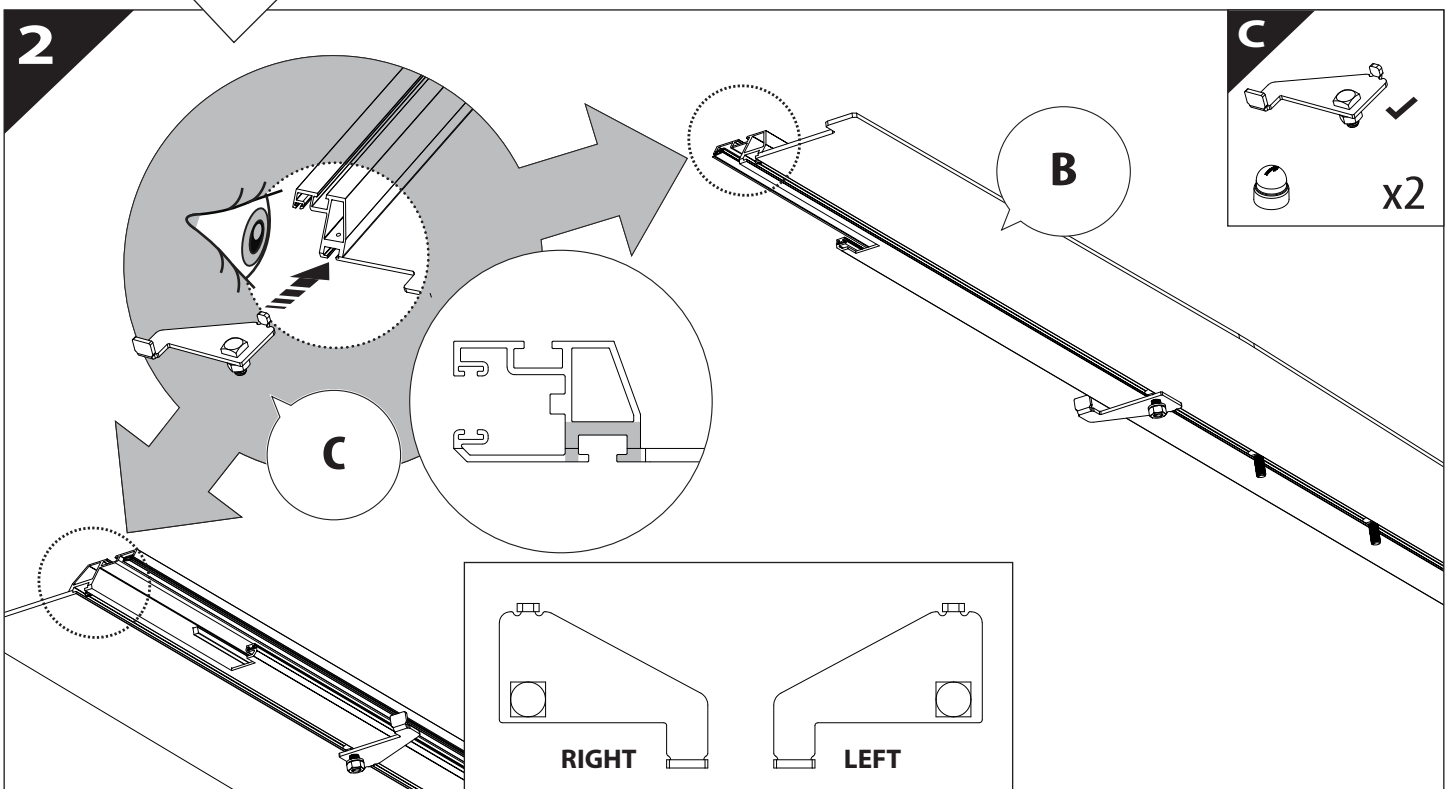
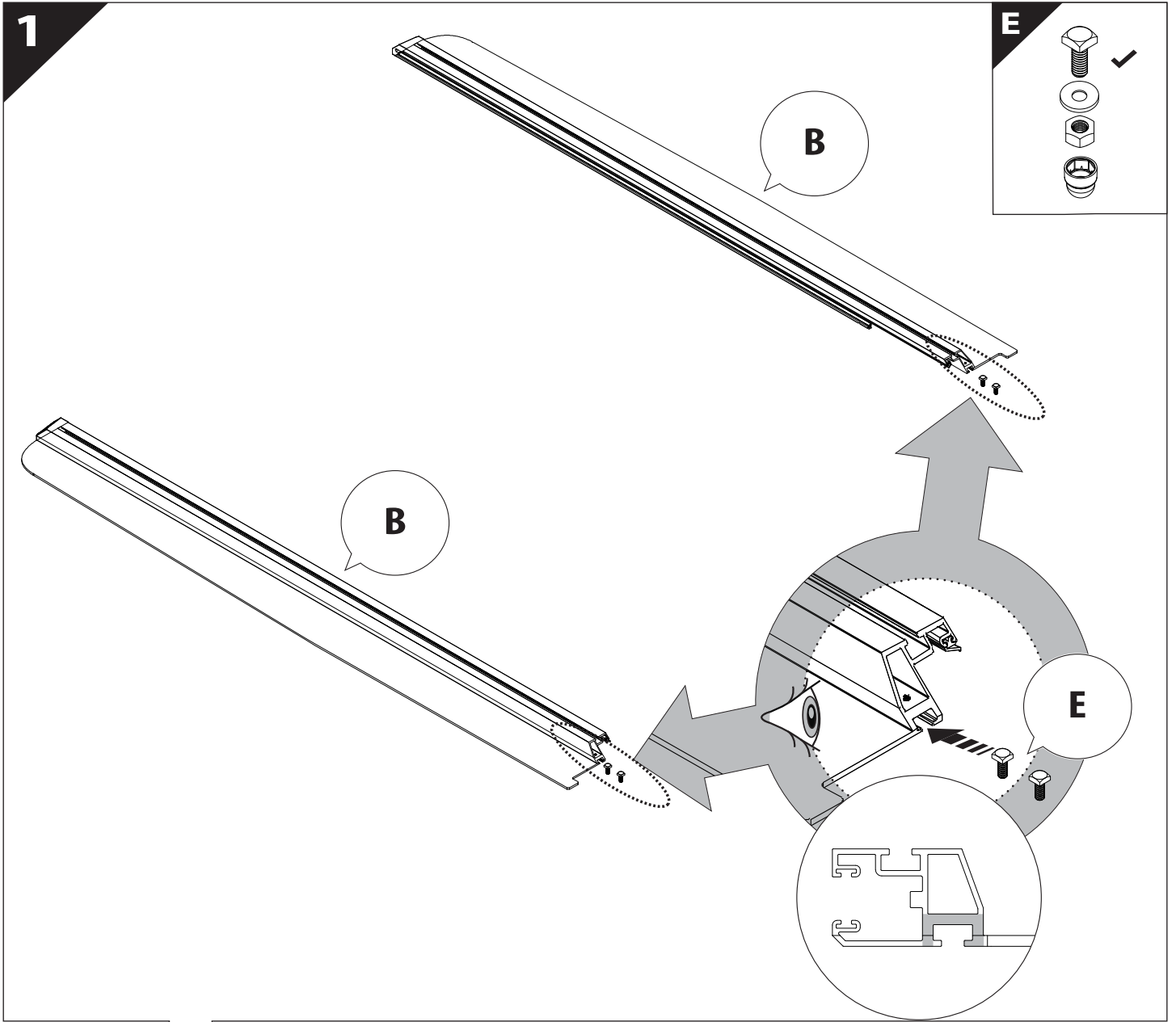


B

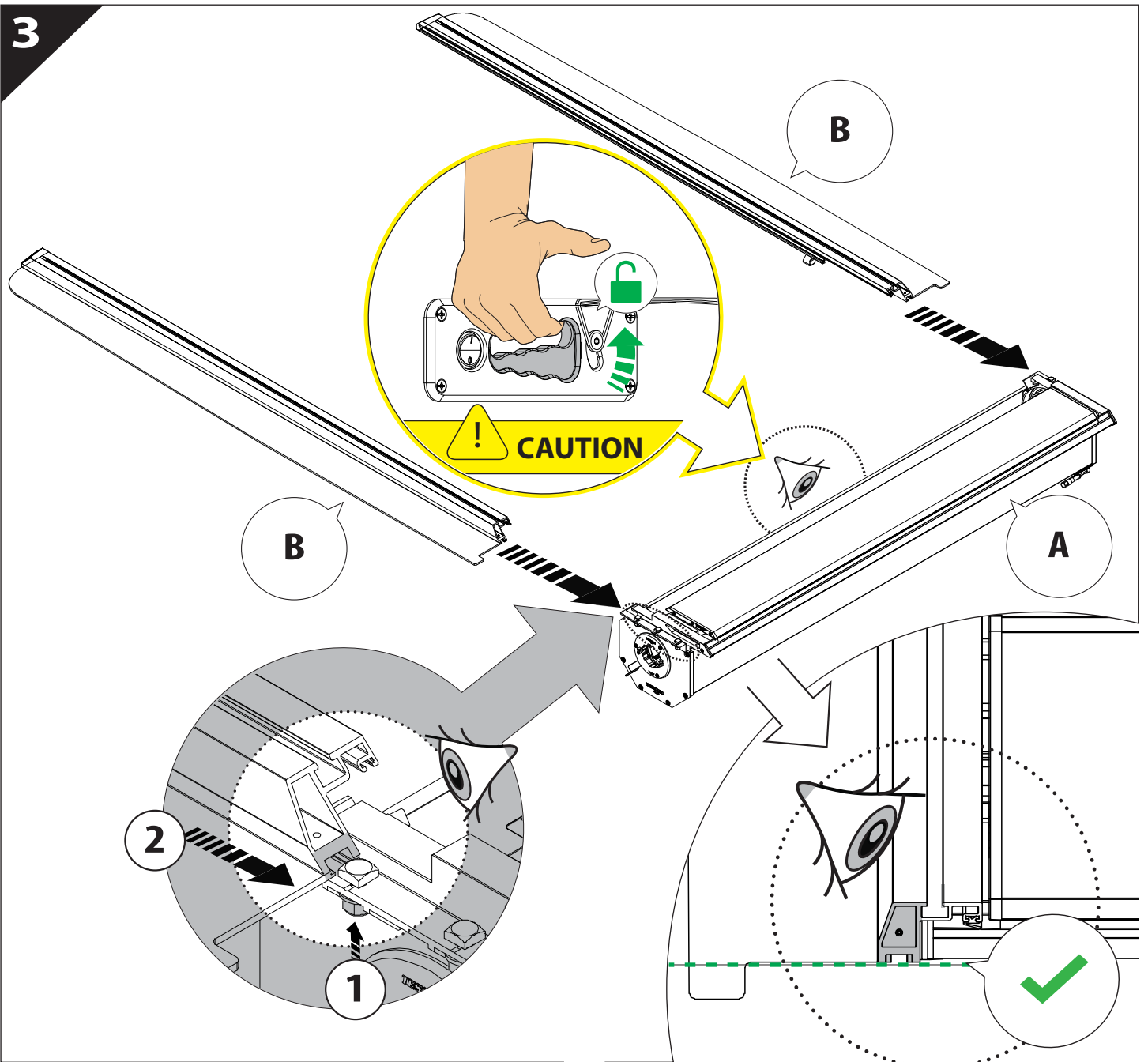
A

KITS

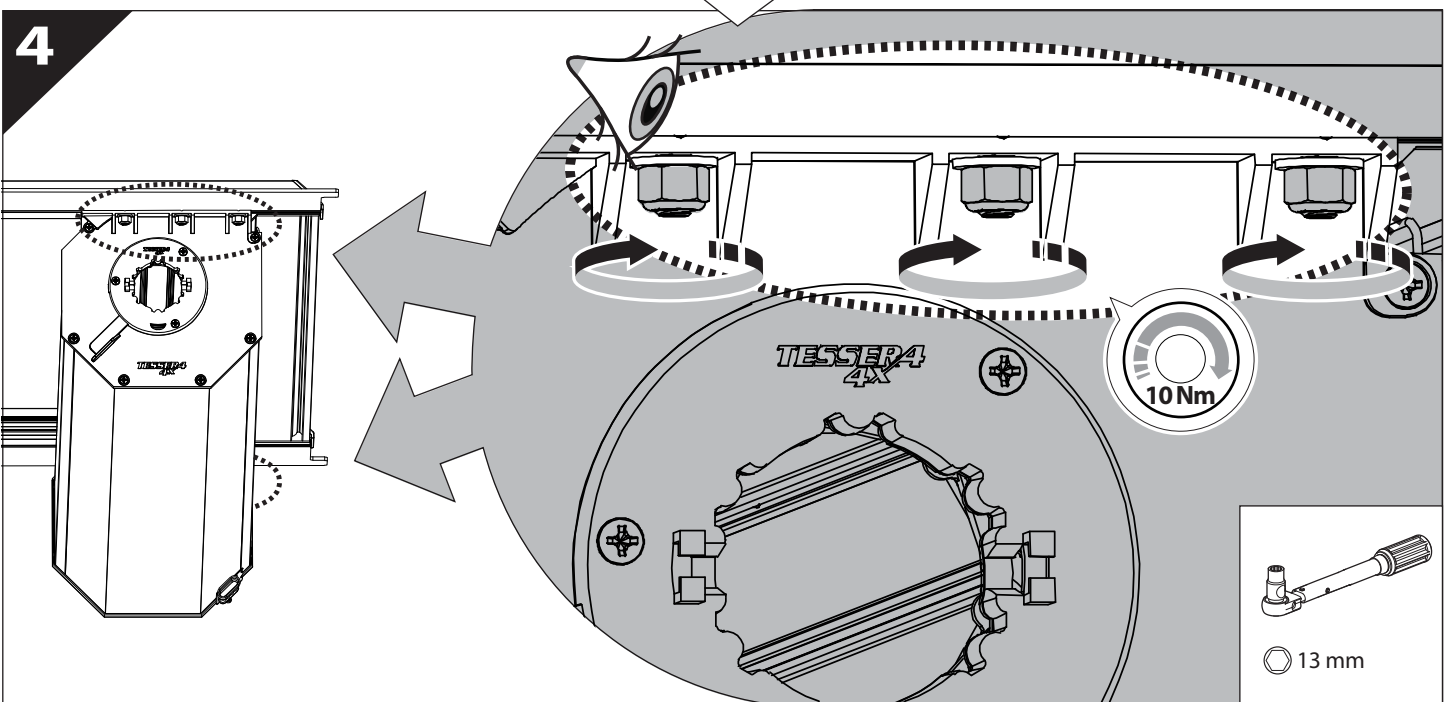
L

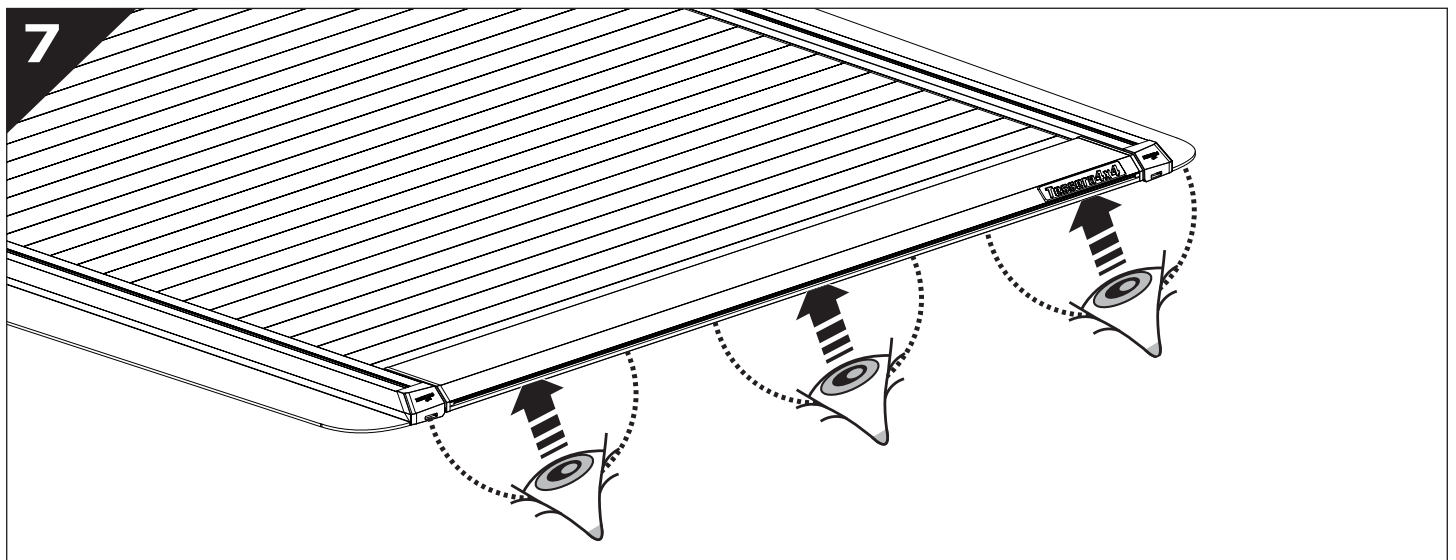
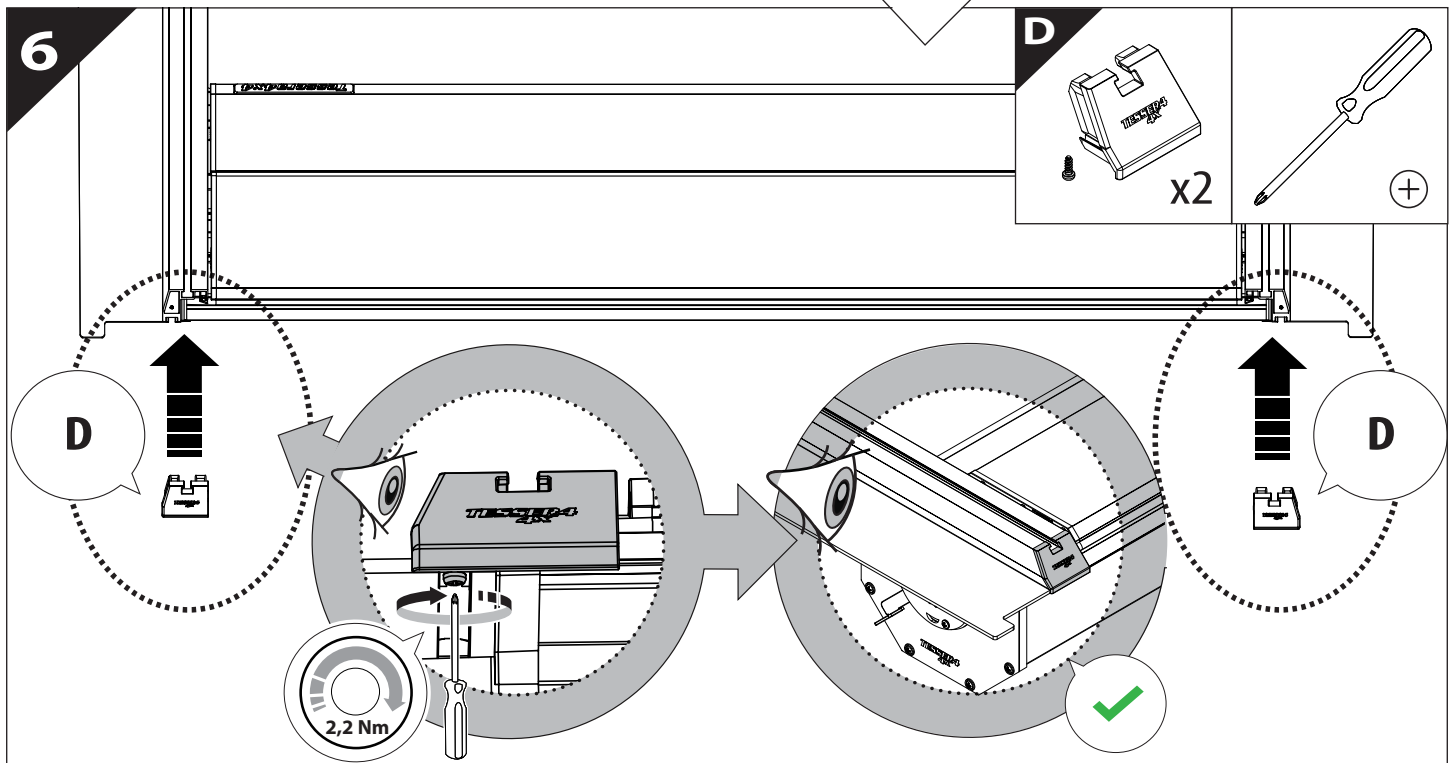
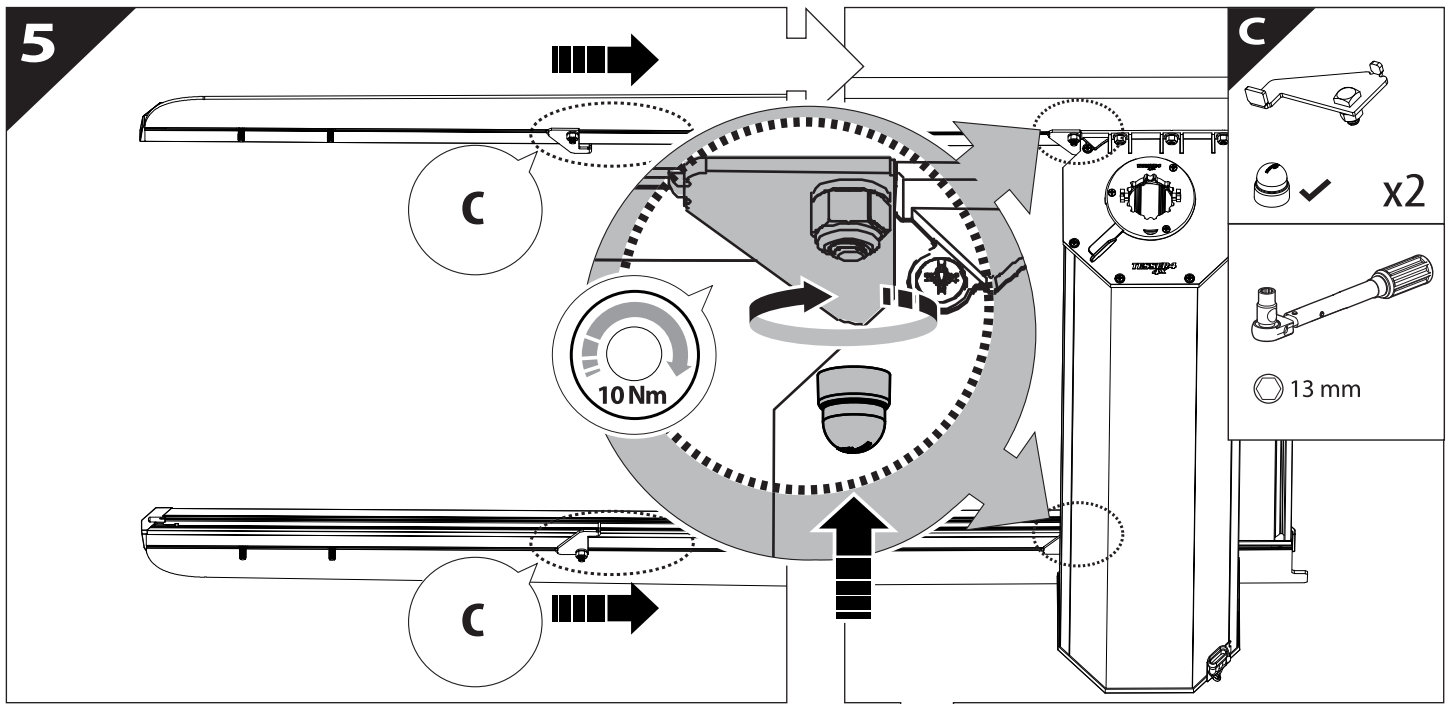


3

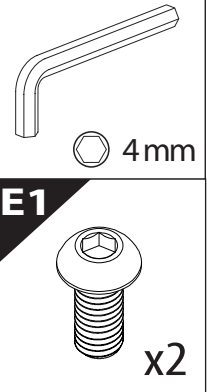
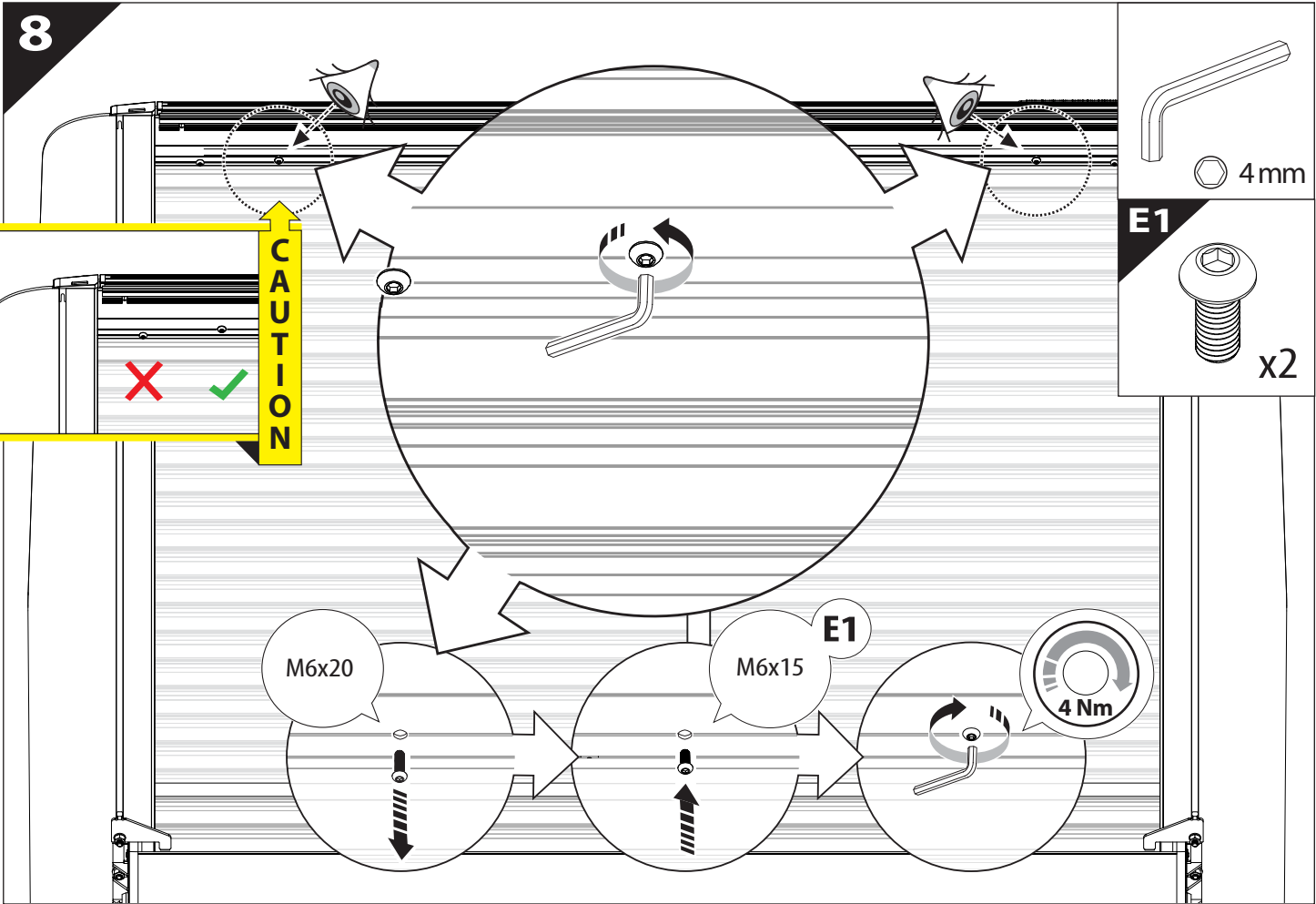
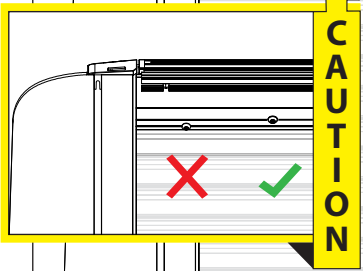


4

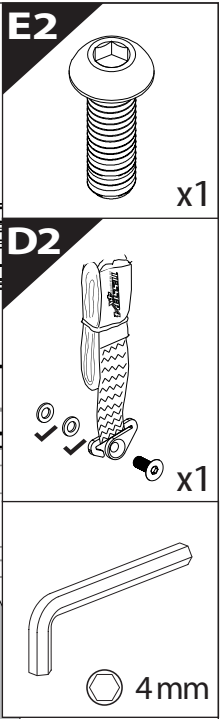
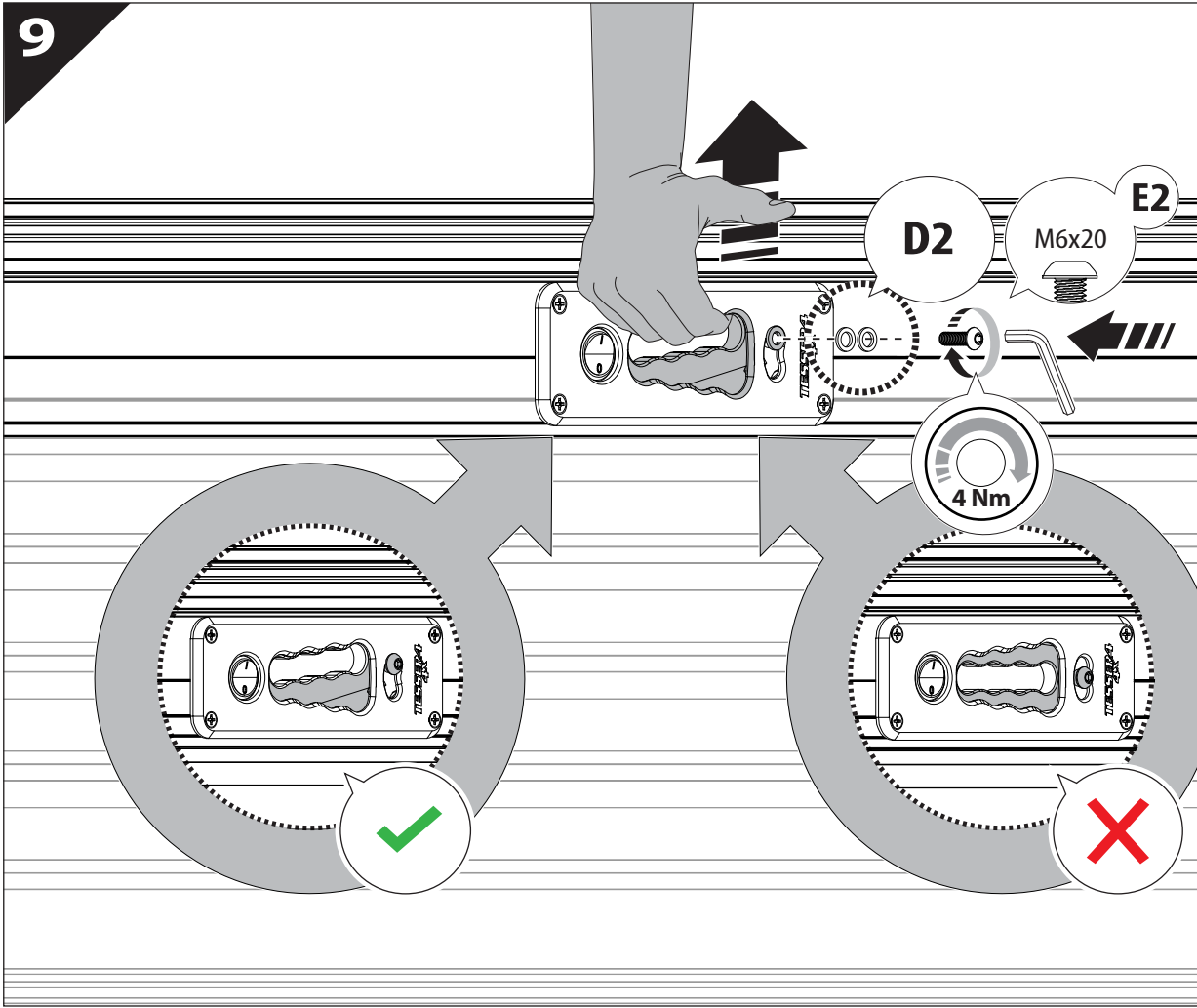


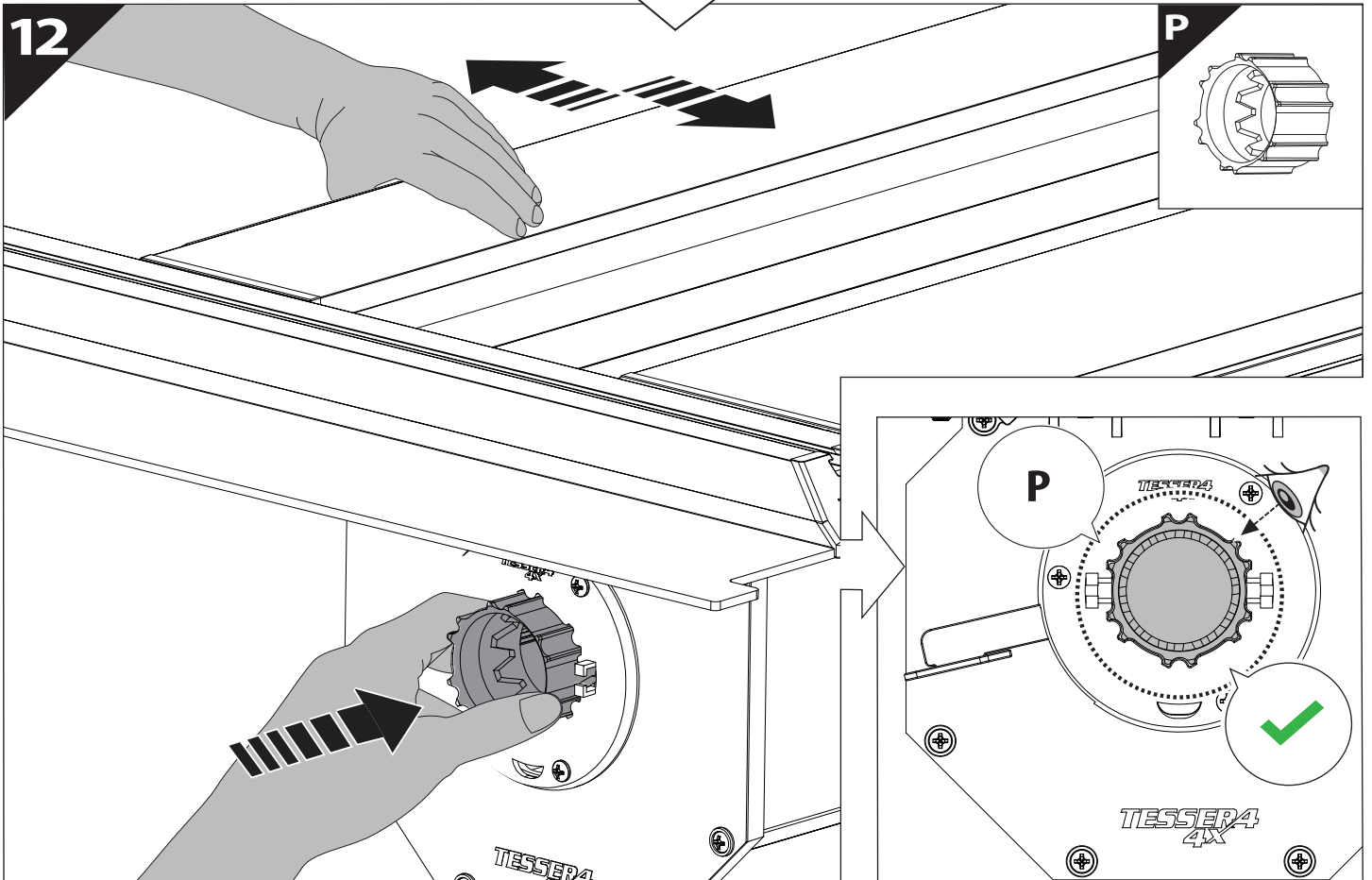
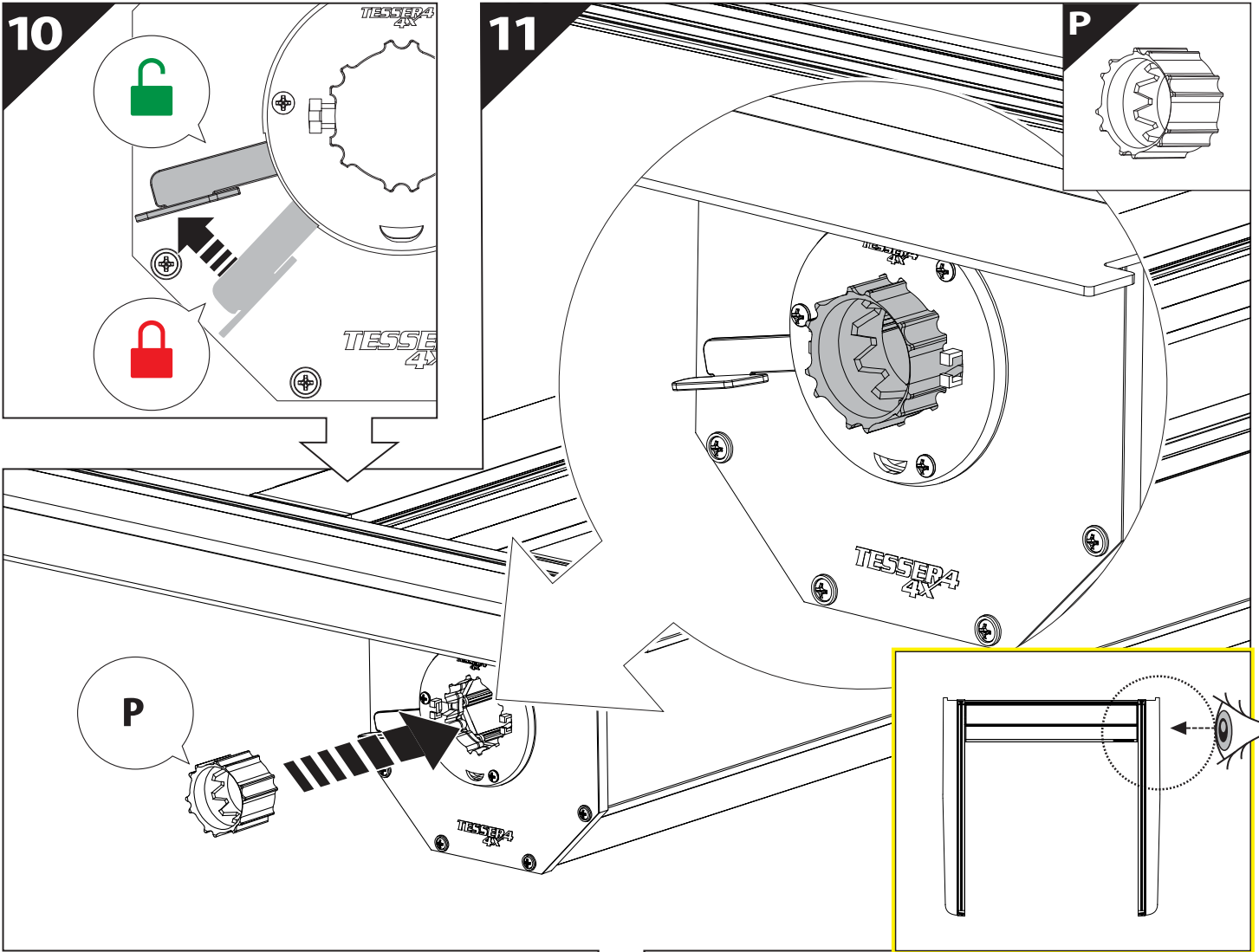


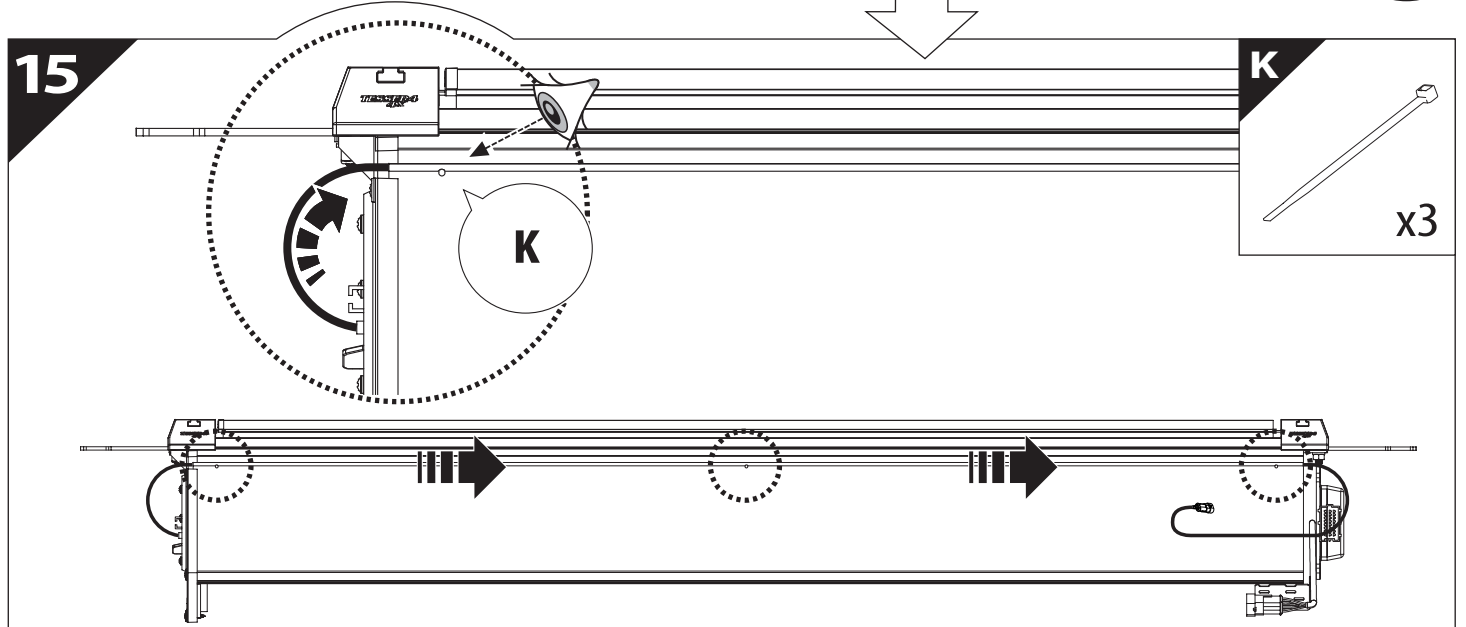
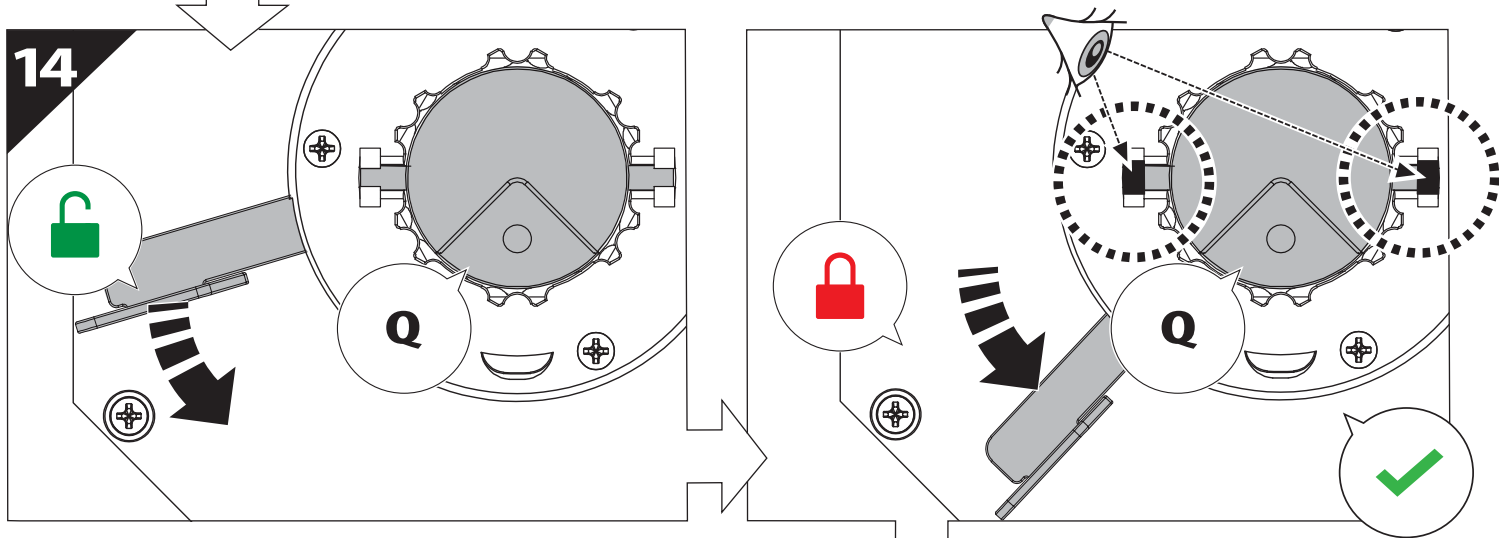
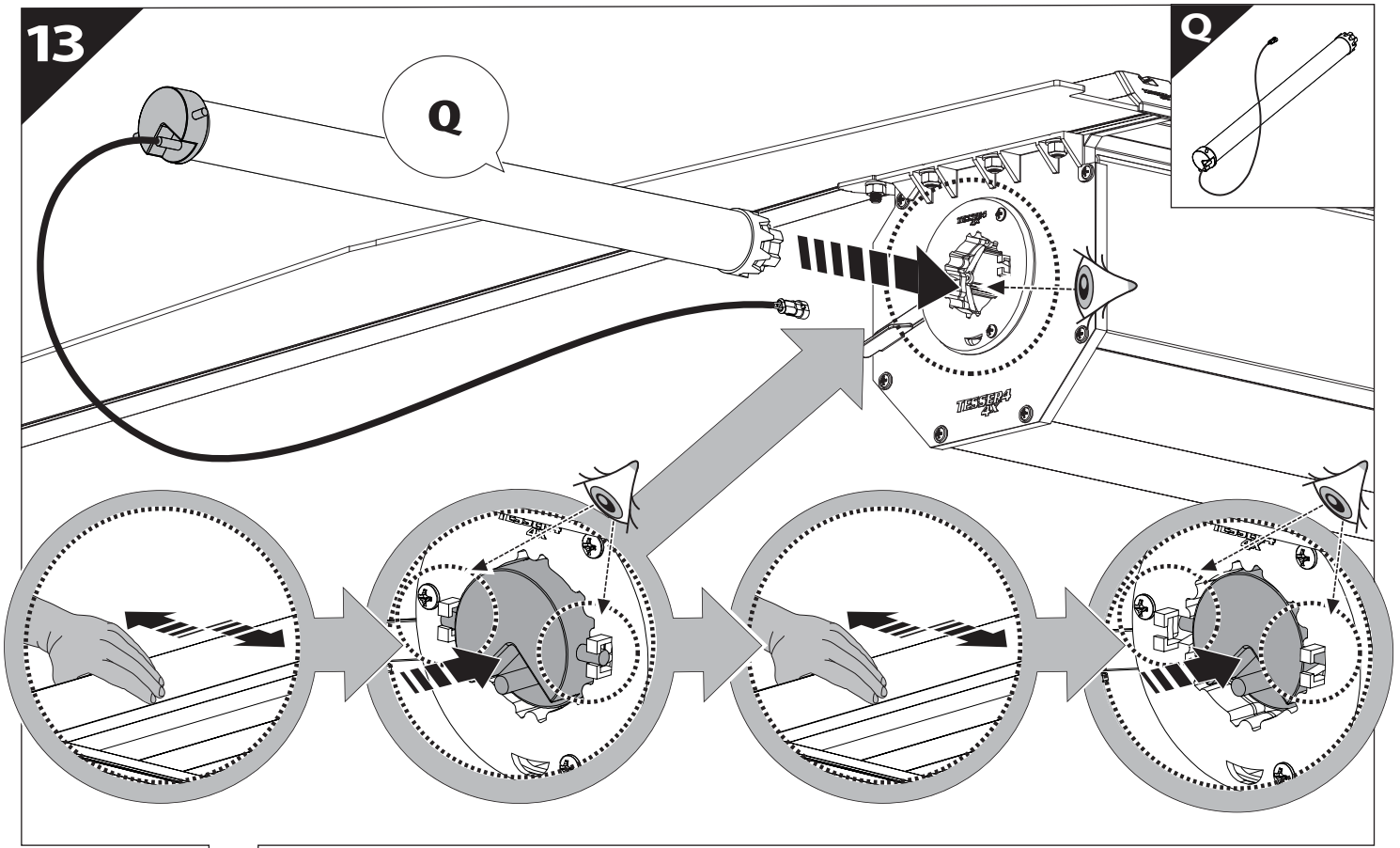
8

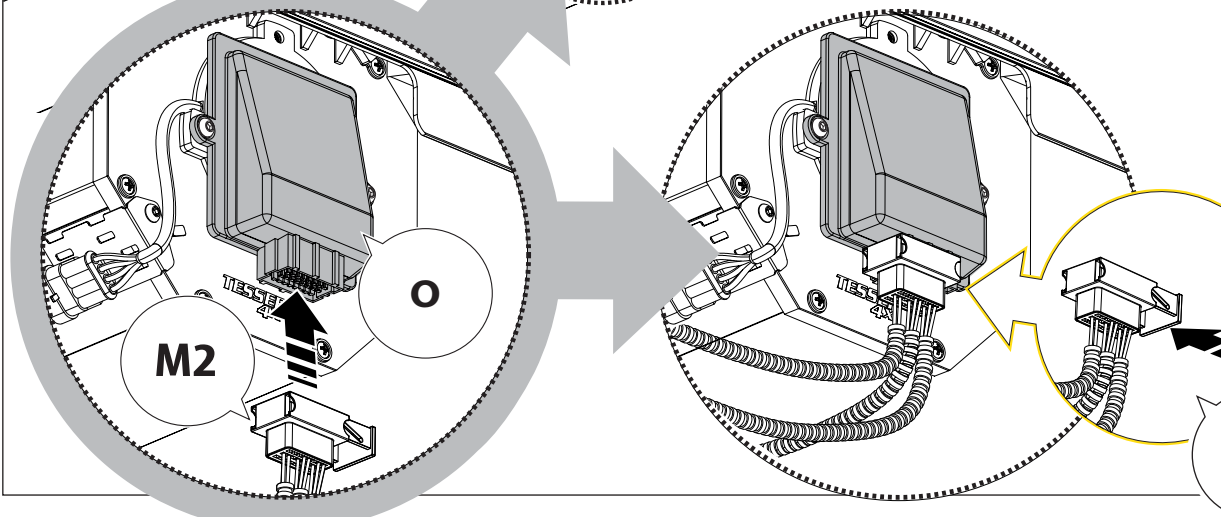
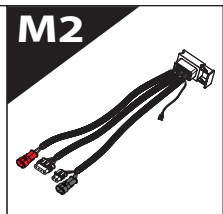
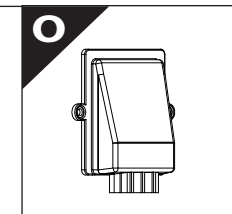
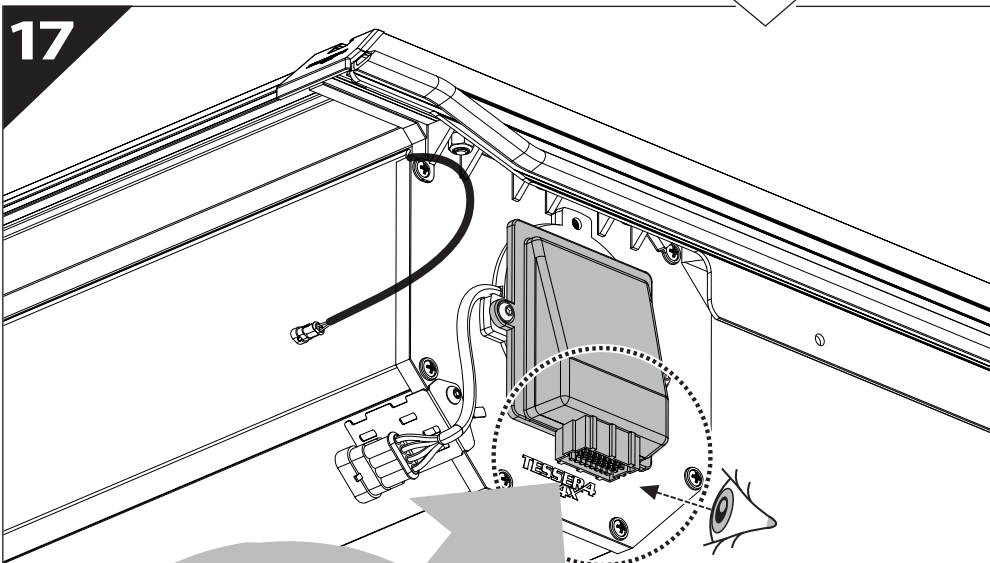
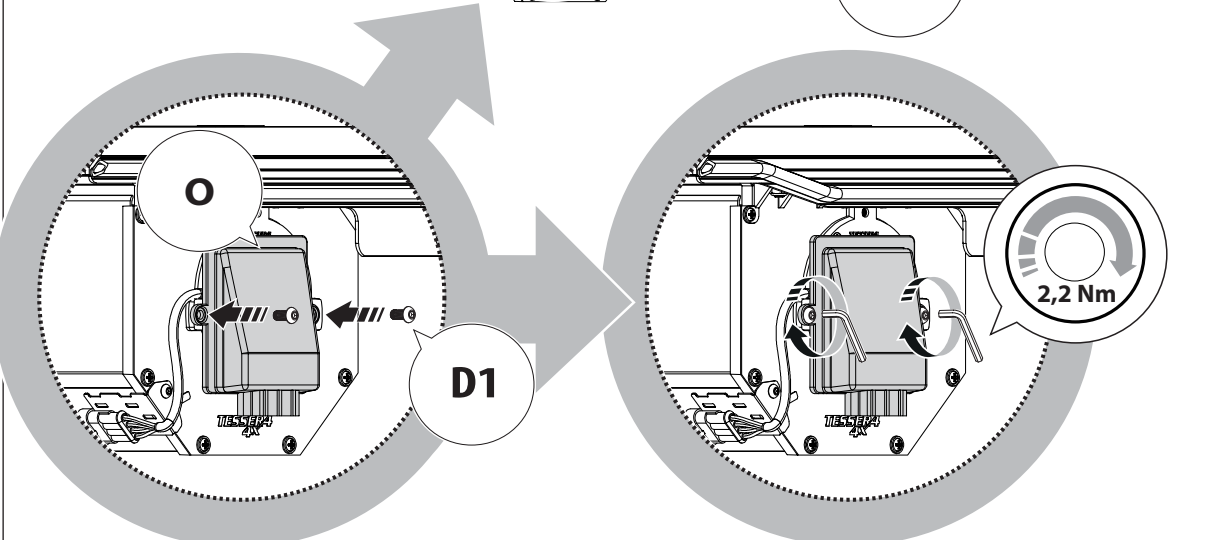
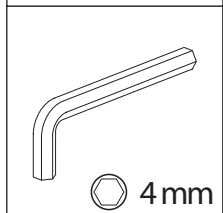
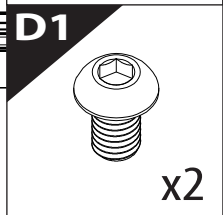
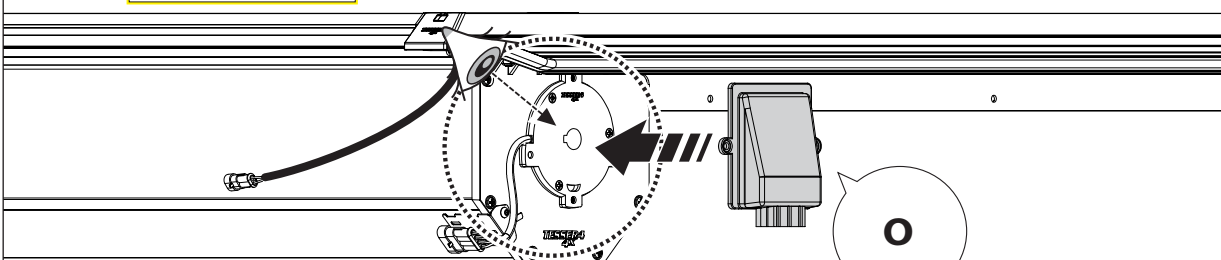
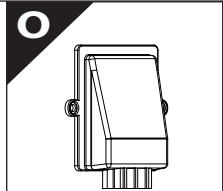
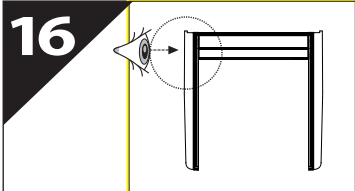


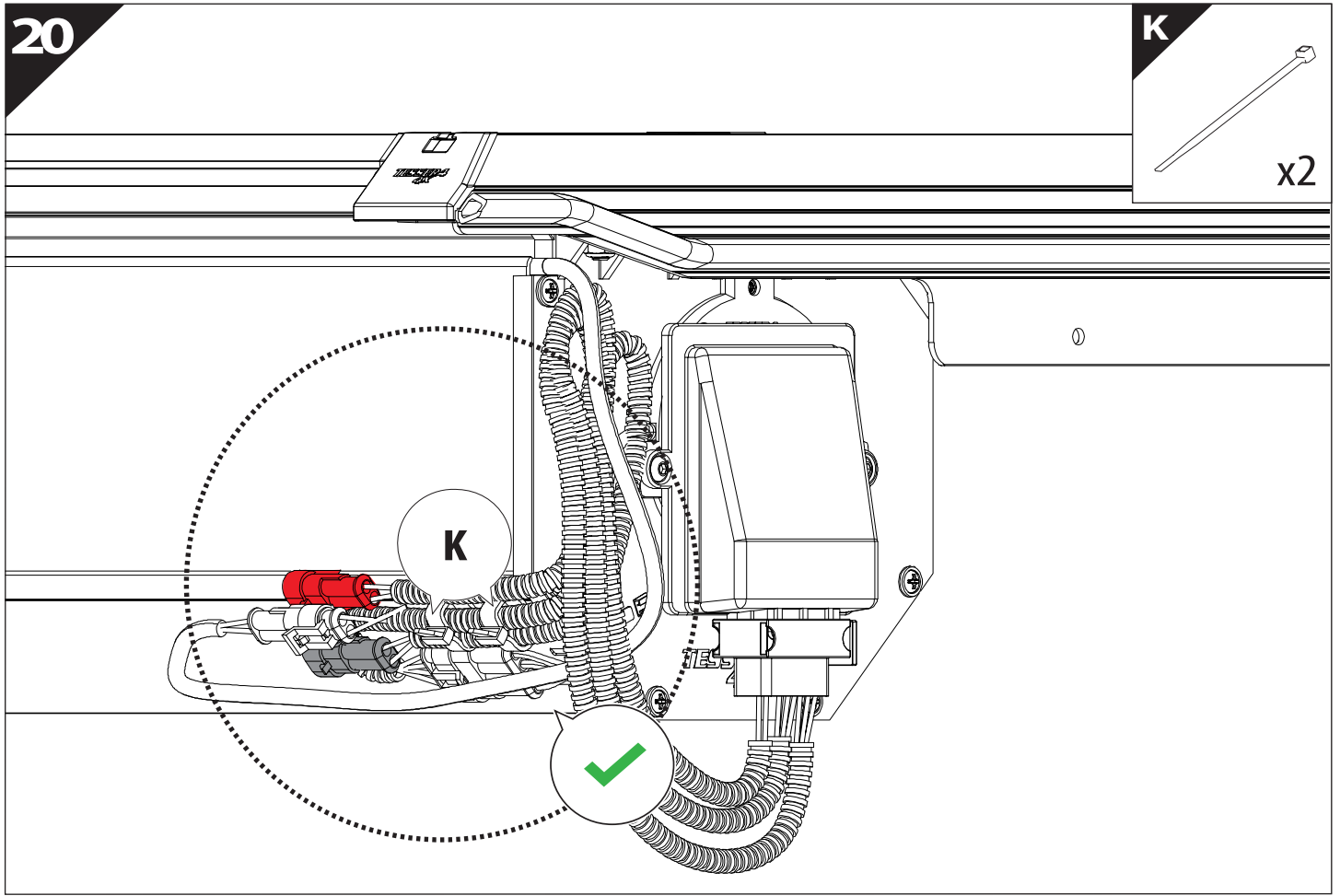
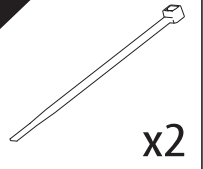
9

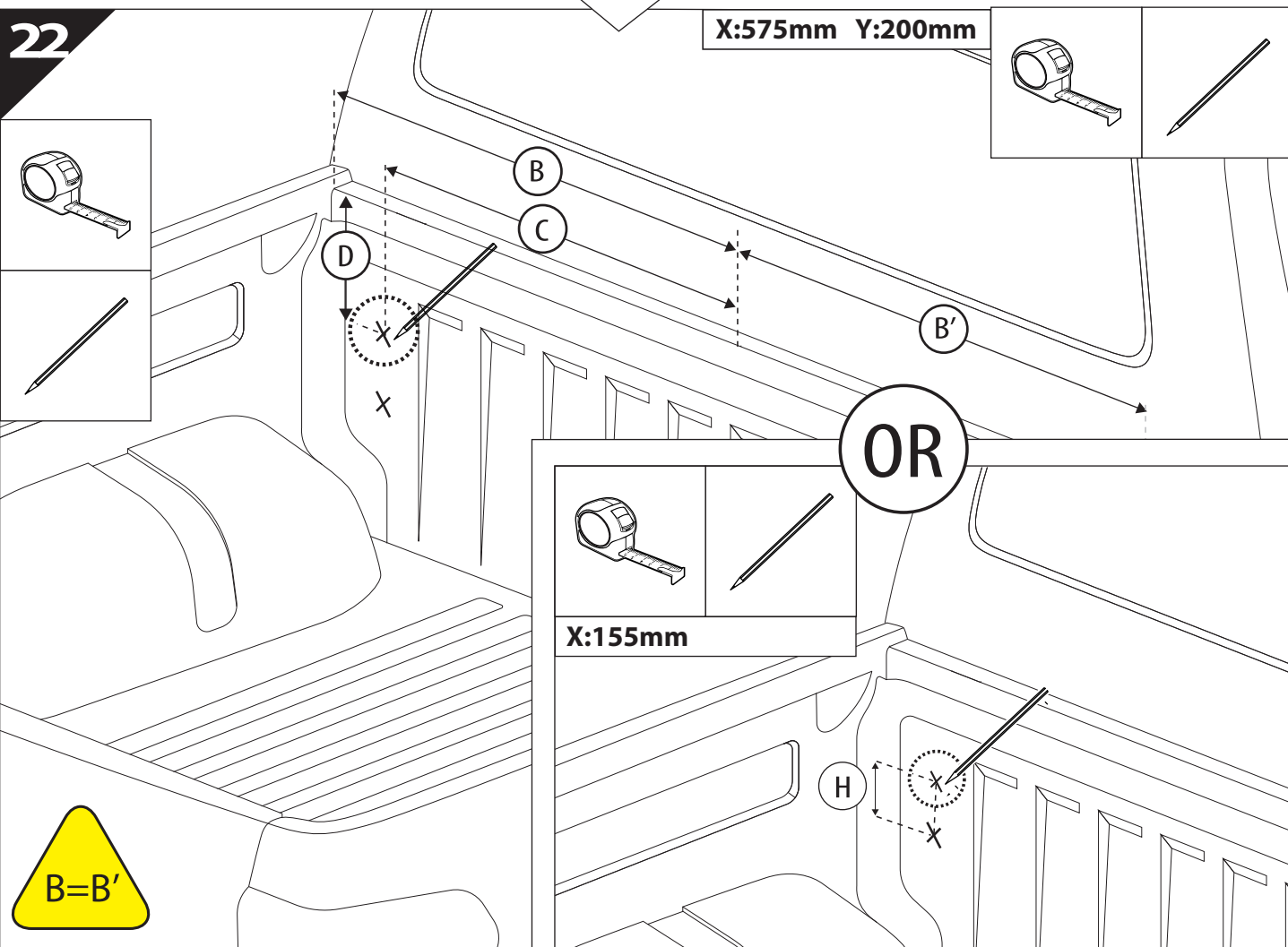
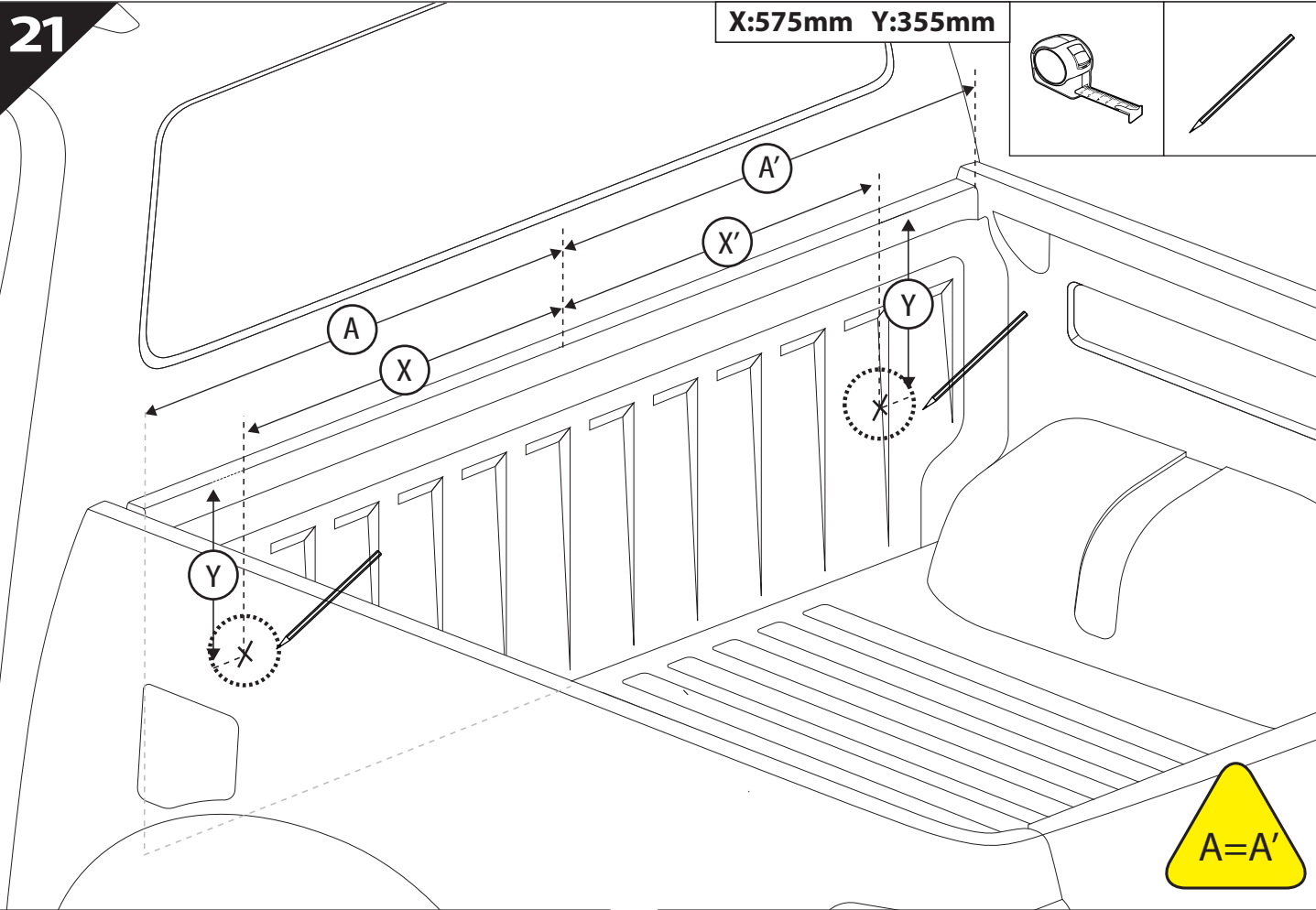












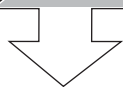
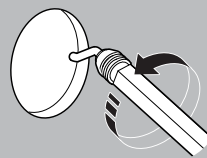
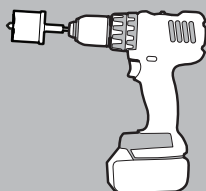
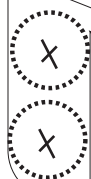
23

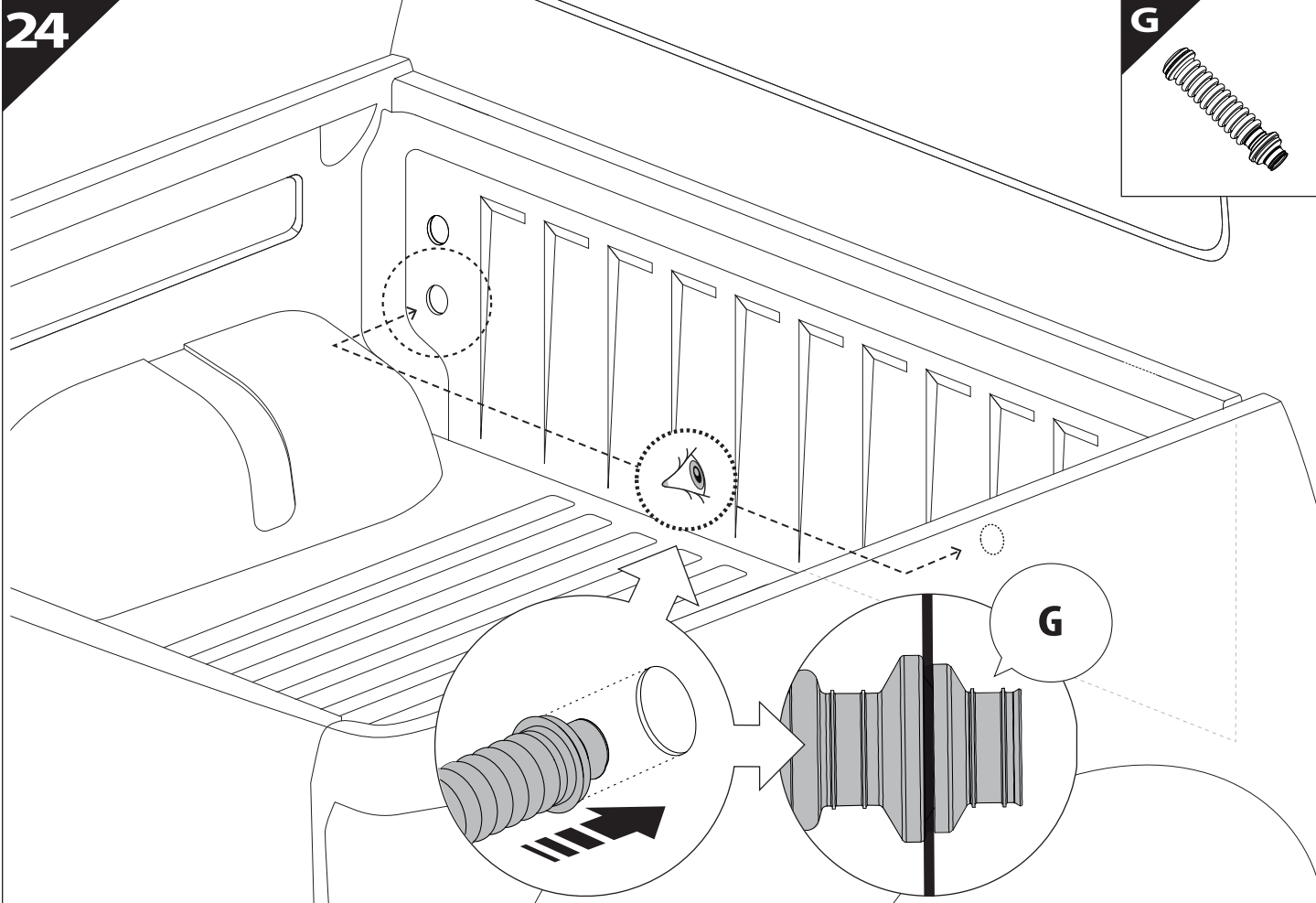


Ø 25 mm

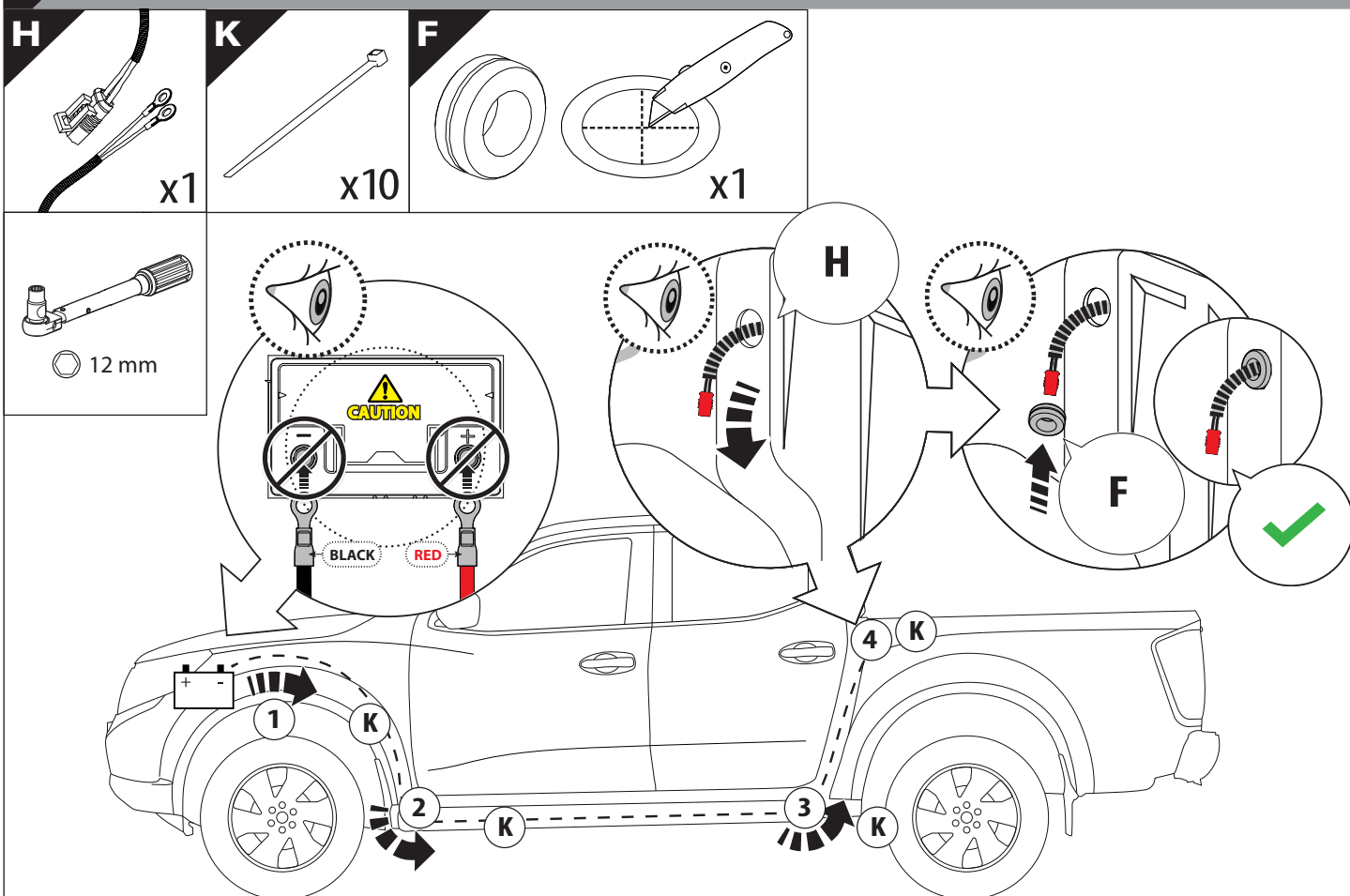


Rust
Protection



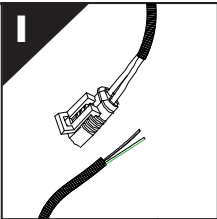


25 Only to be installed by authorized personnel

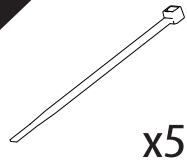


26

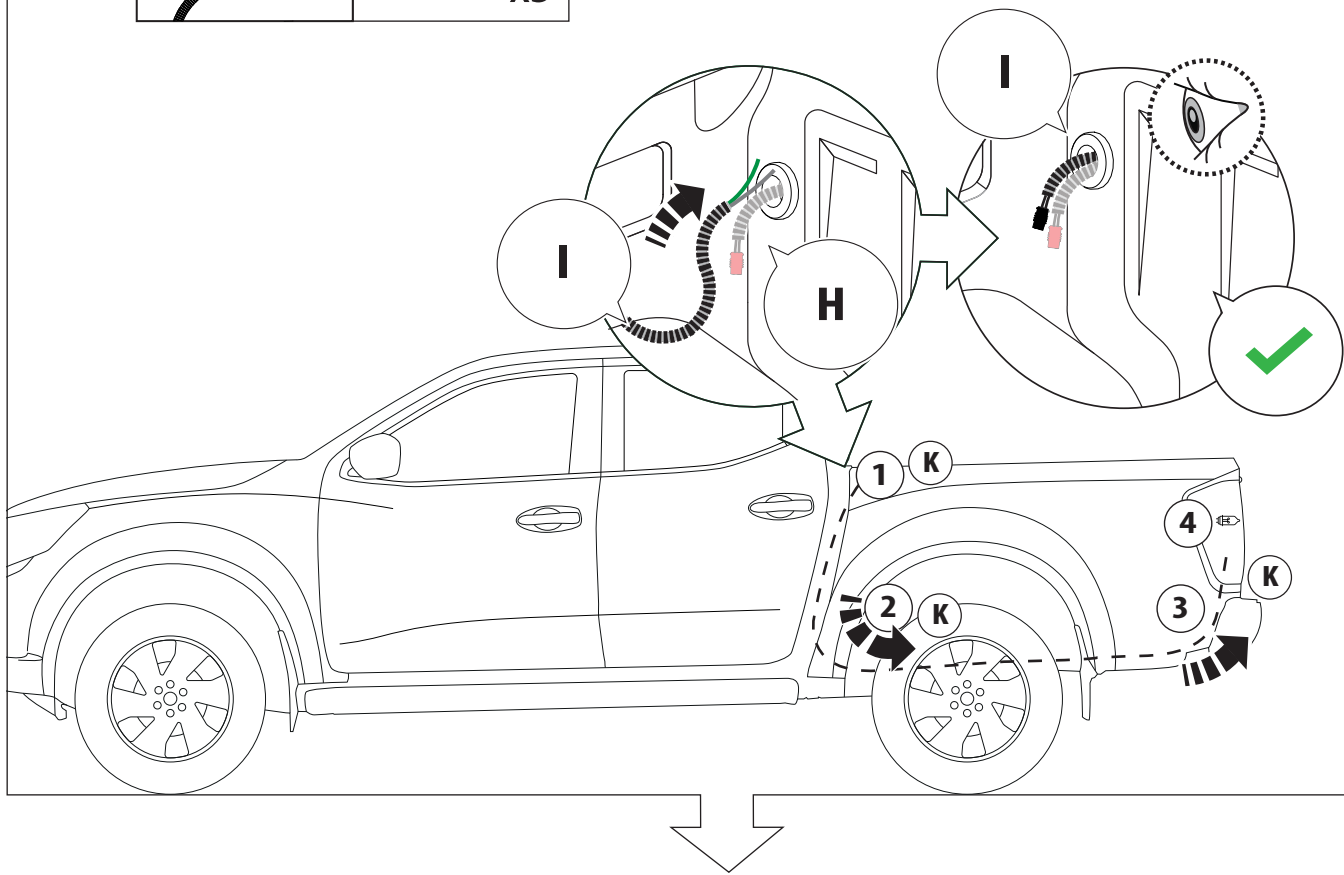
I



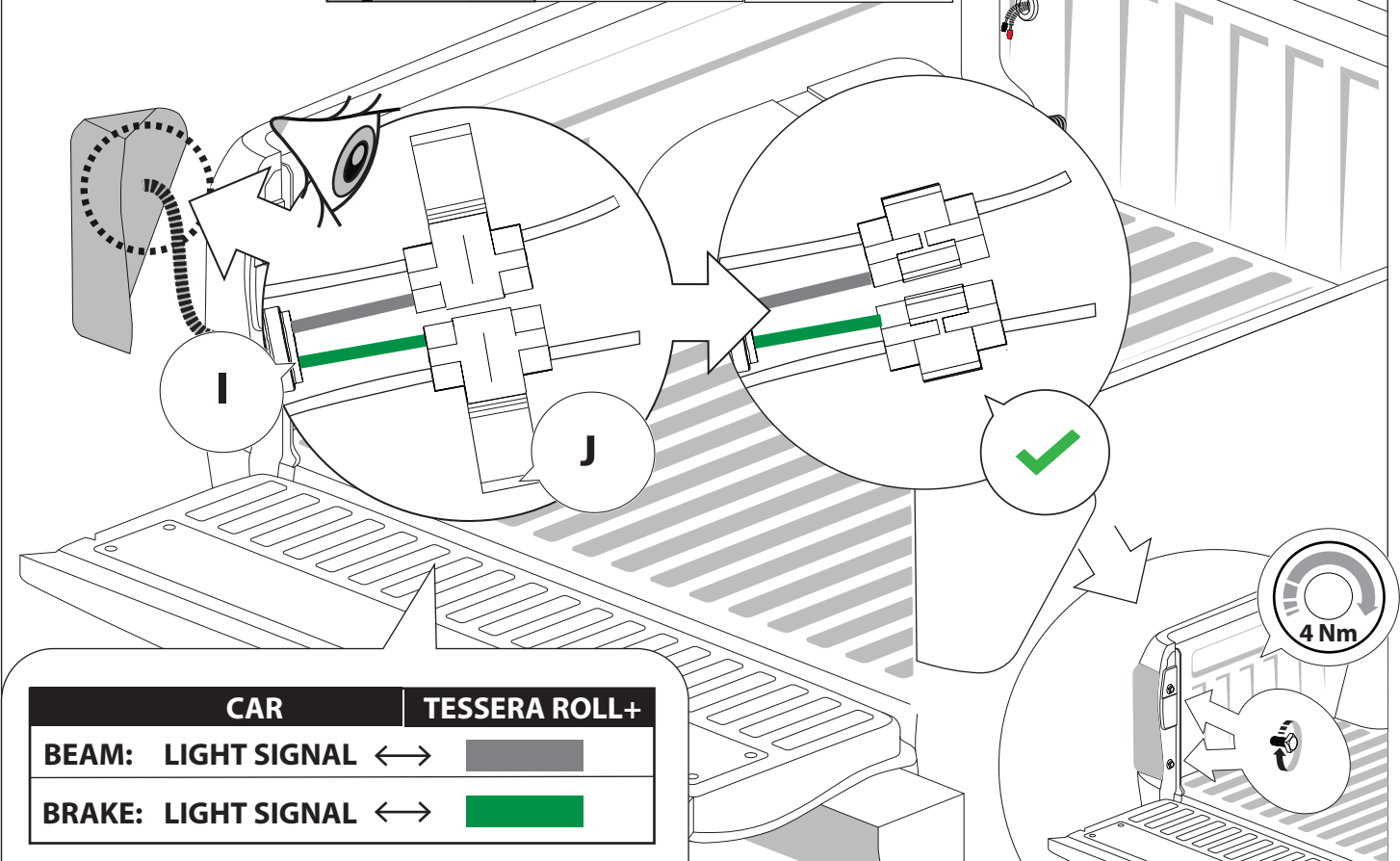
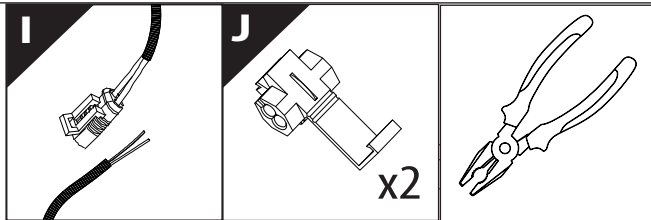
K



x5



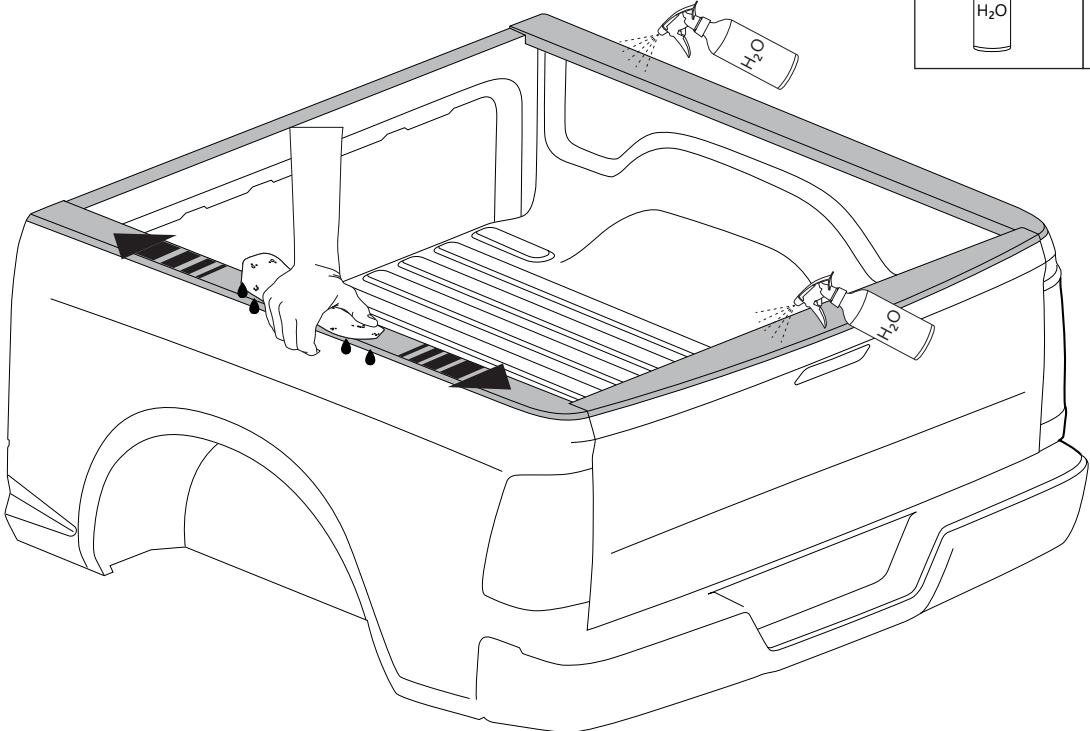
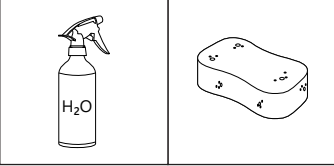
26. 1

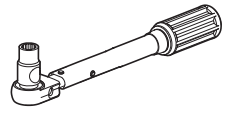


| | CAR | TESSERA ROLL+ |
|---------------------|-----|---------------|
| BEAM: LIGHT SIGNAL | ↔ | ■ |
| BRAKE: LIGHT SIGNAL | ↔ | ■ |

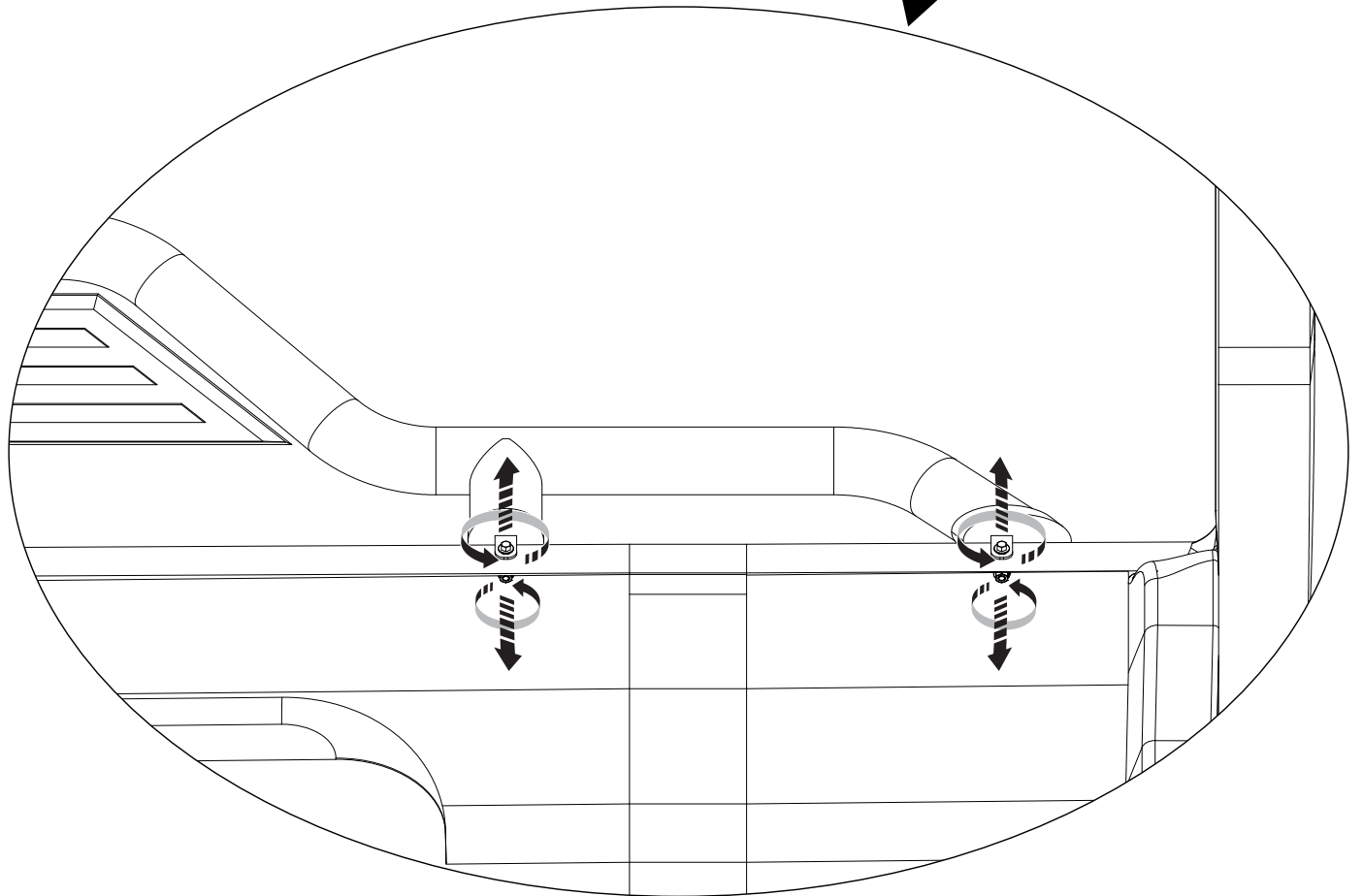
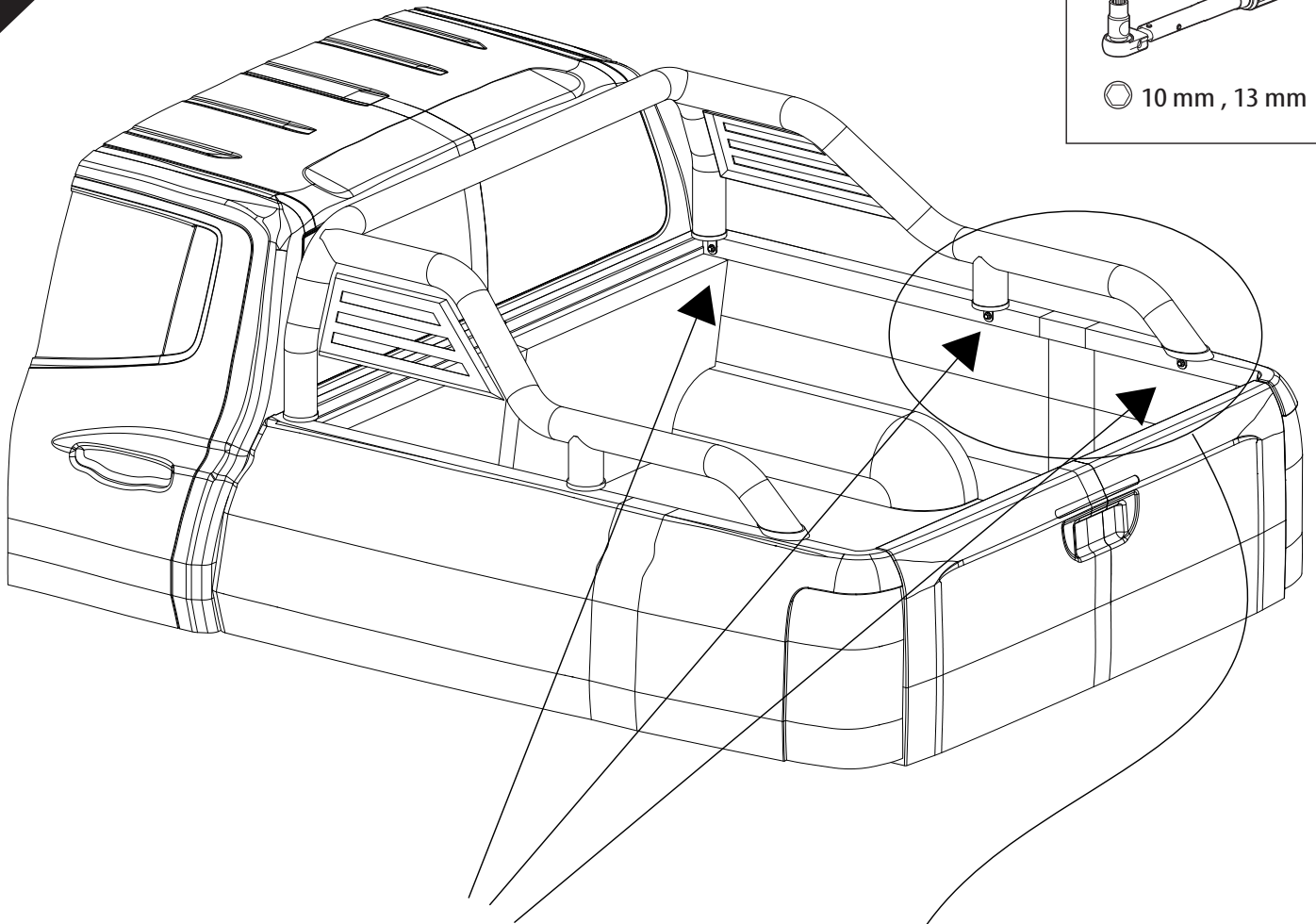
CAUTION: CONSULT A CERTIFIED AUTO MECHANIC OR AUTOMOTIVE ELECTRICIAN TO IDENTIFY THE CORRECT WIRING CABLES FOR BEAM AND BRAKE SIGNALS BEFORE MAKING ANY CONNECTIONS.

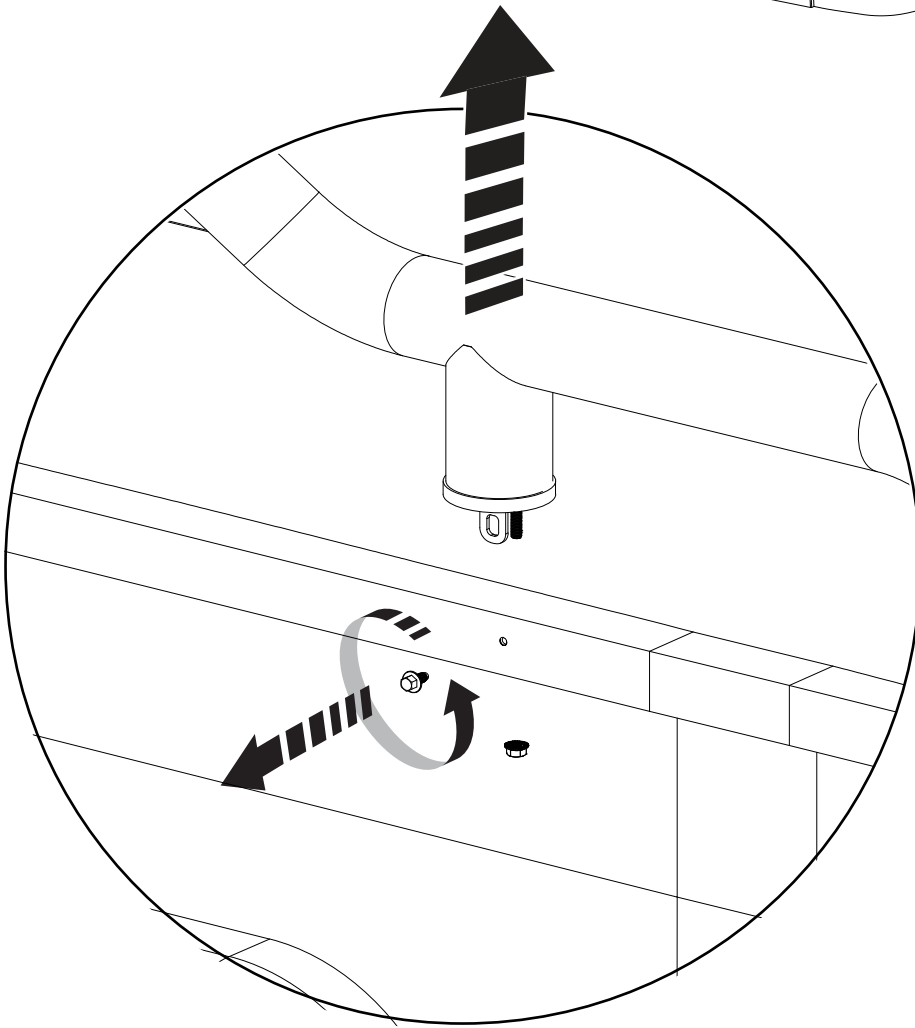
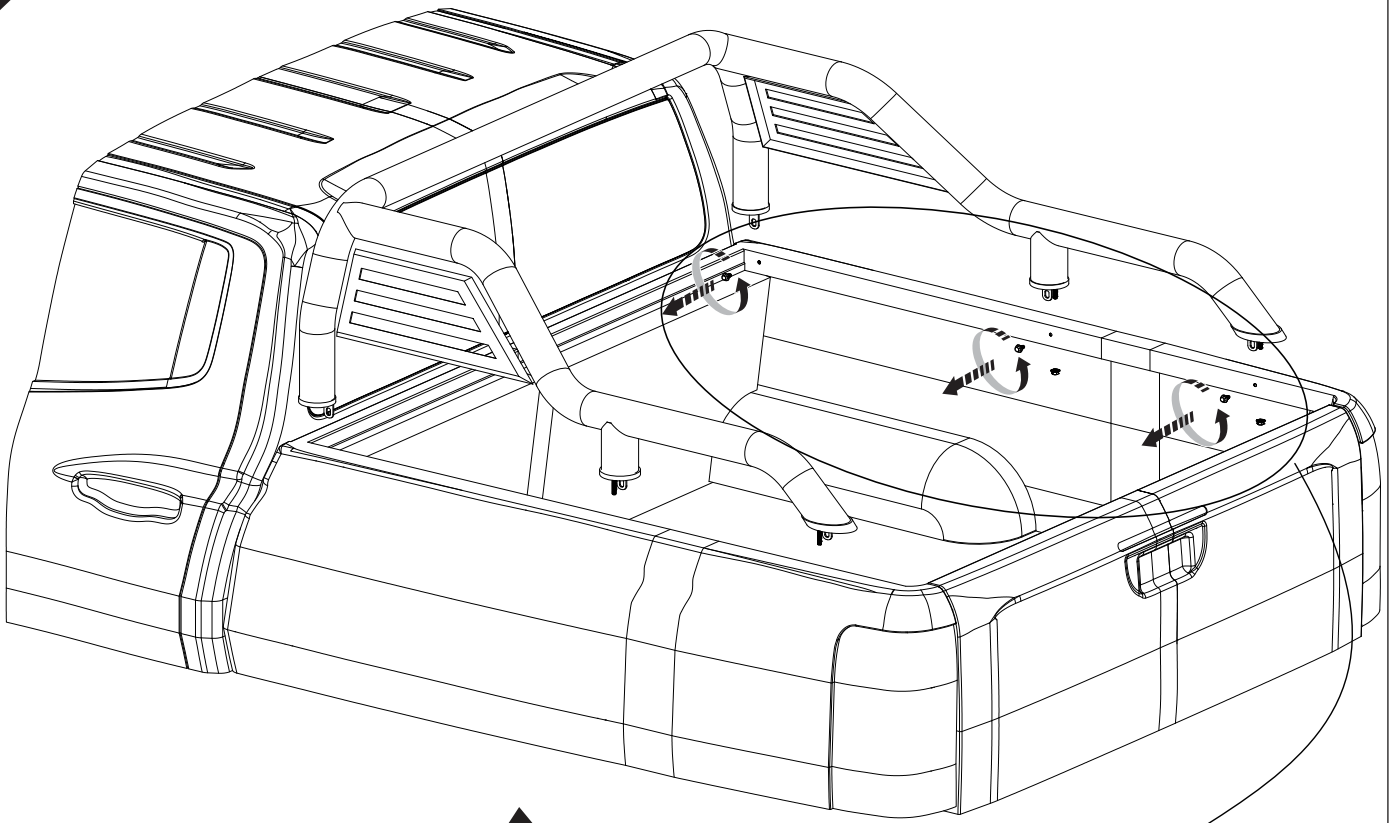
27

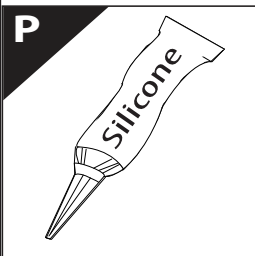
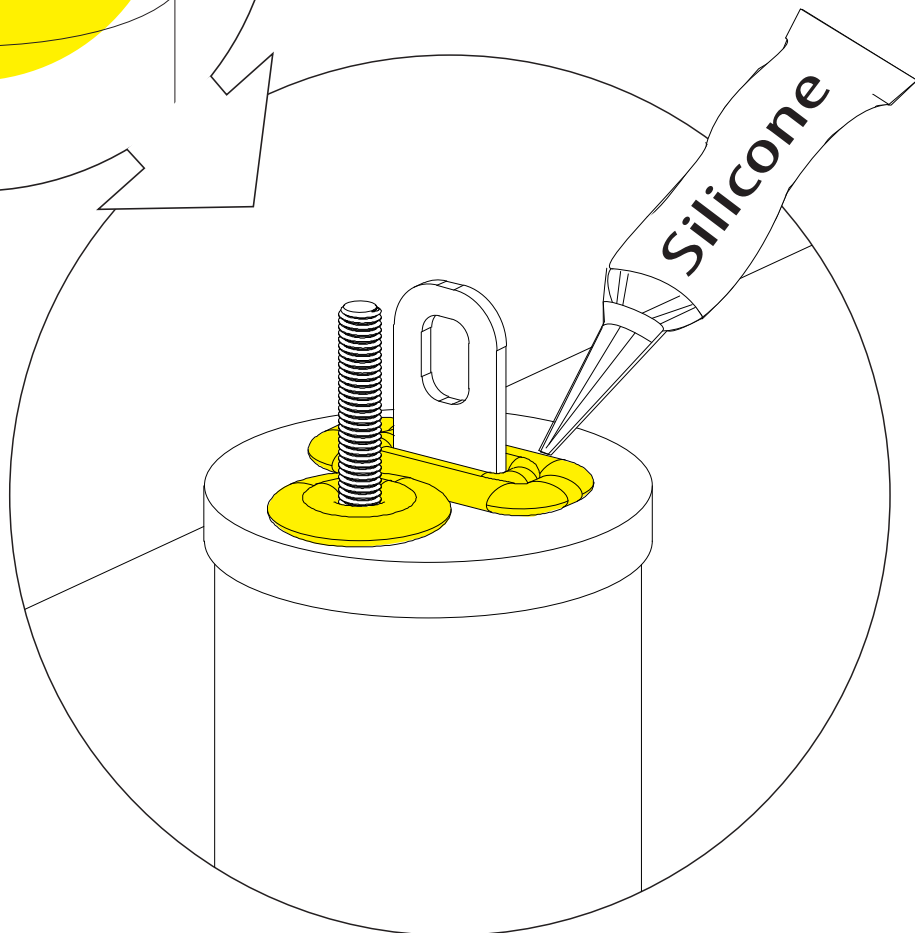
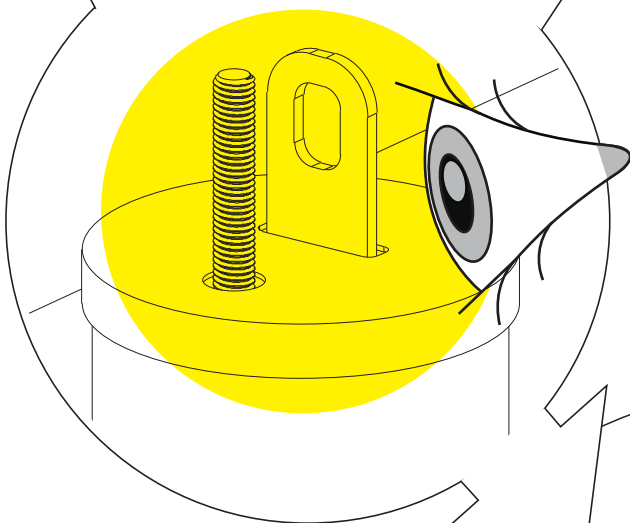
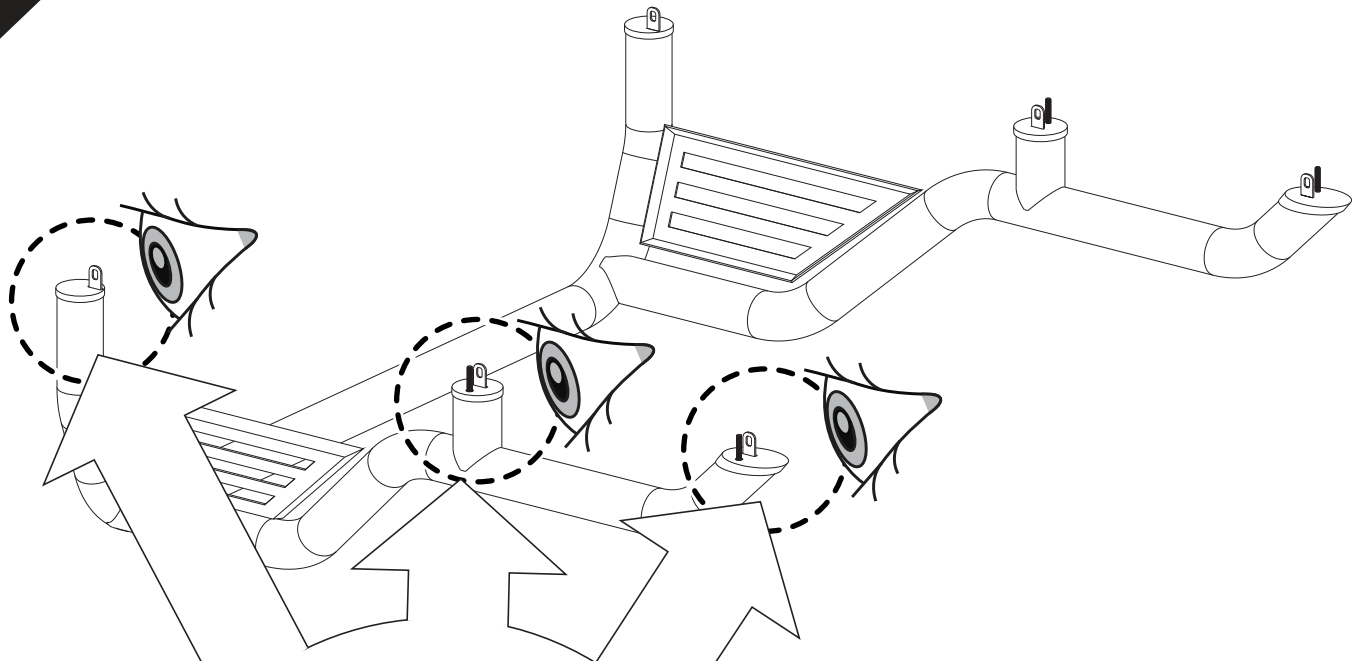




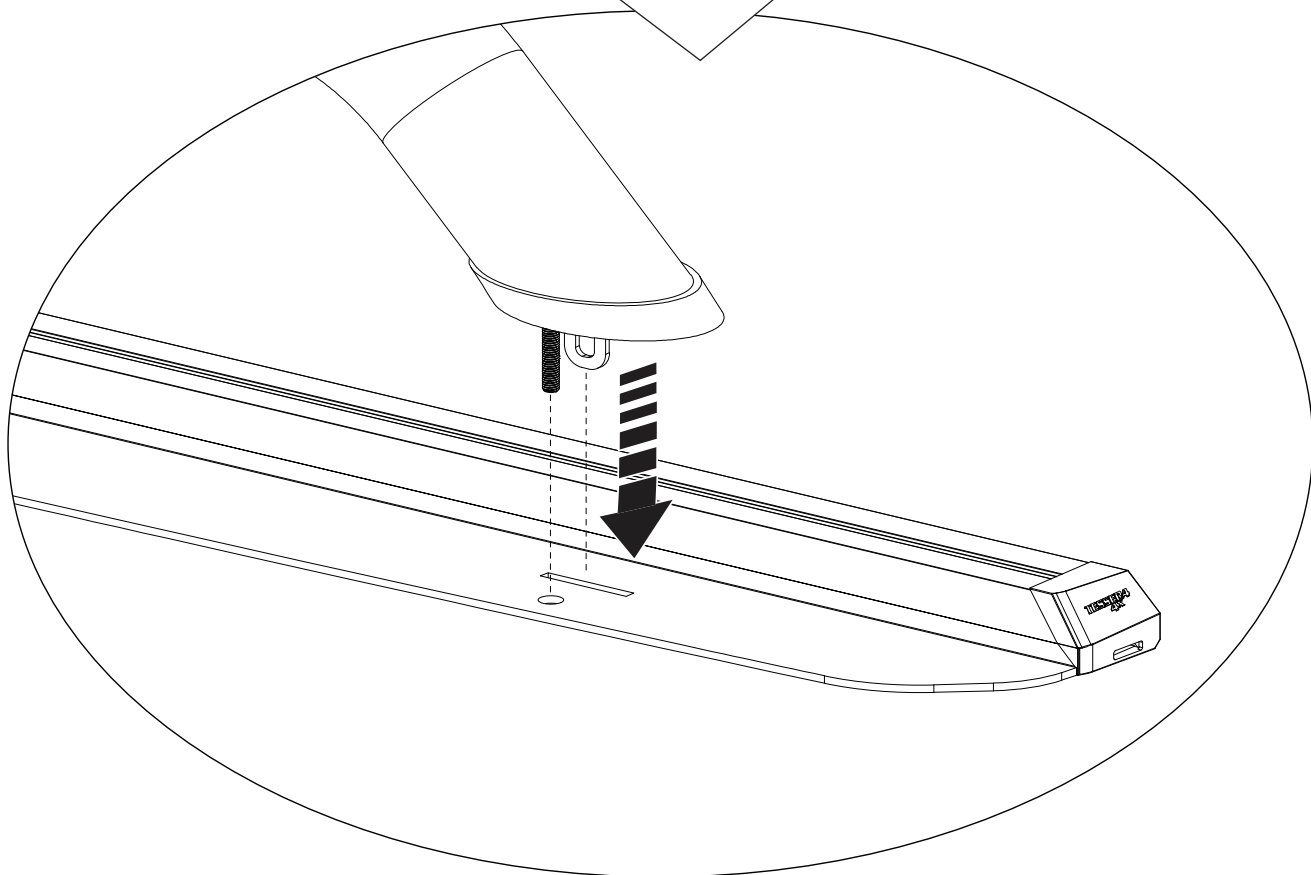
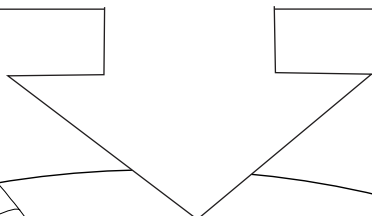
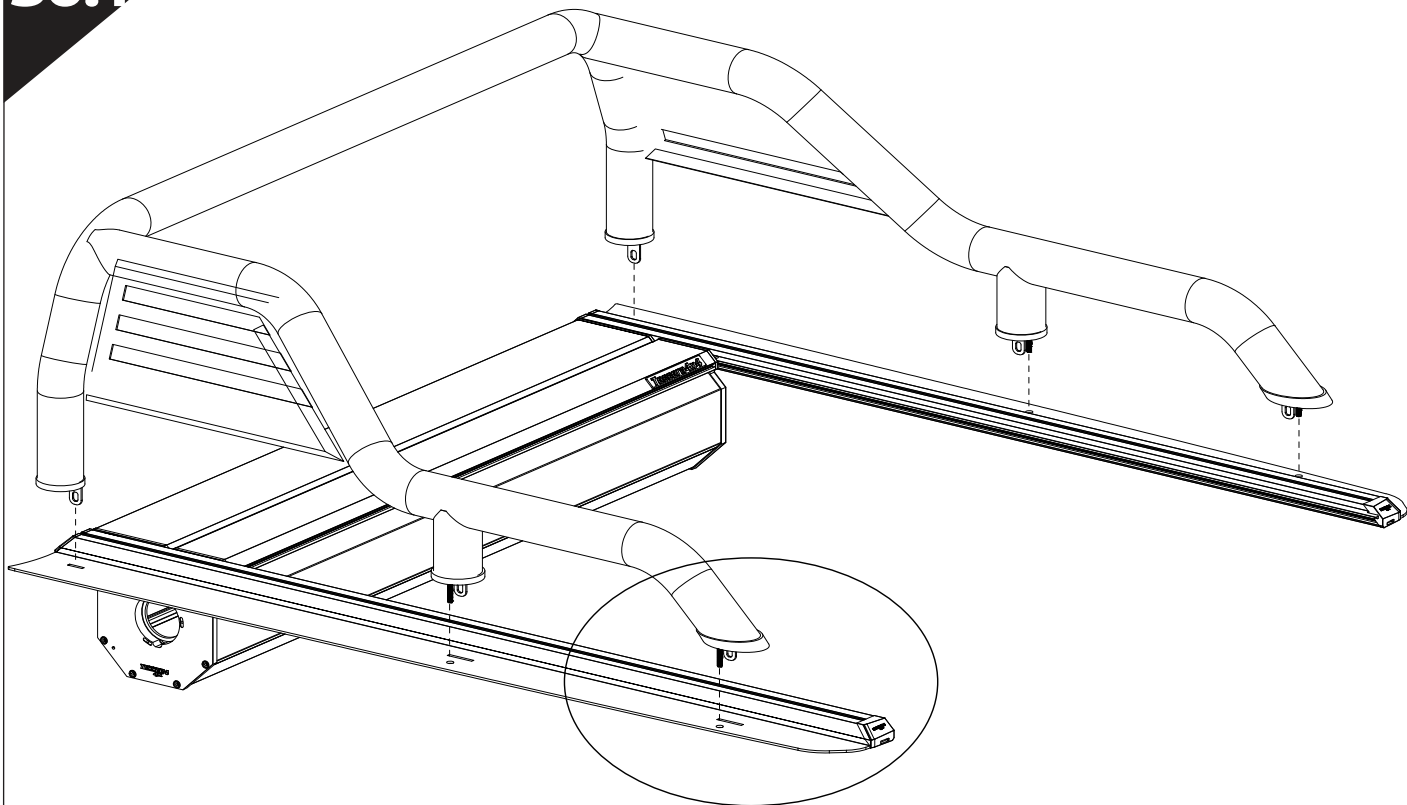
10 mm , 13 mm





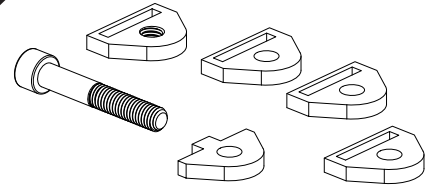


30.1

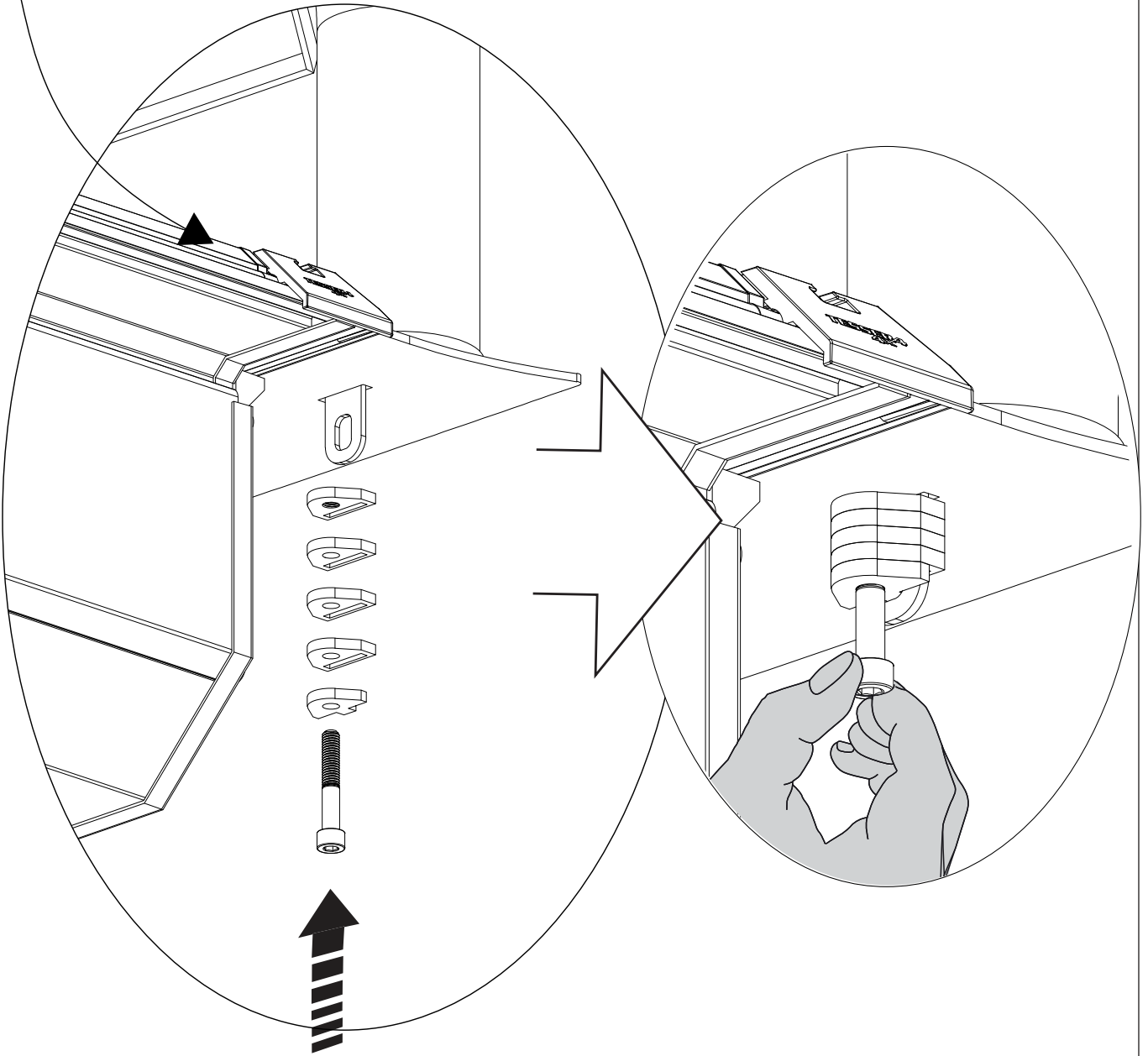
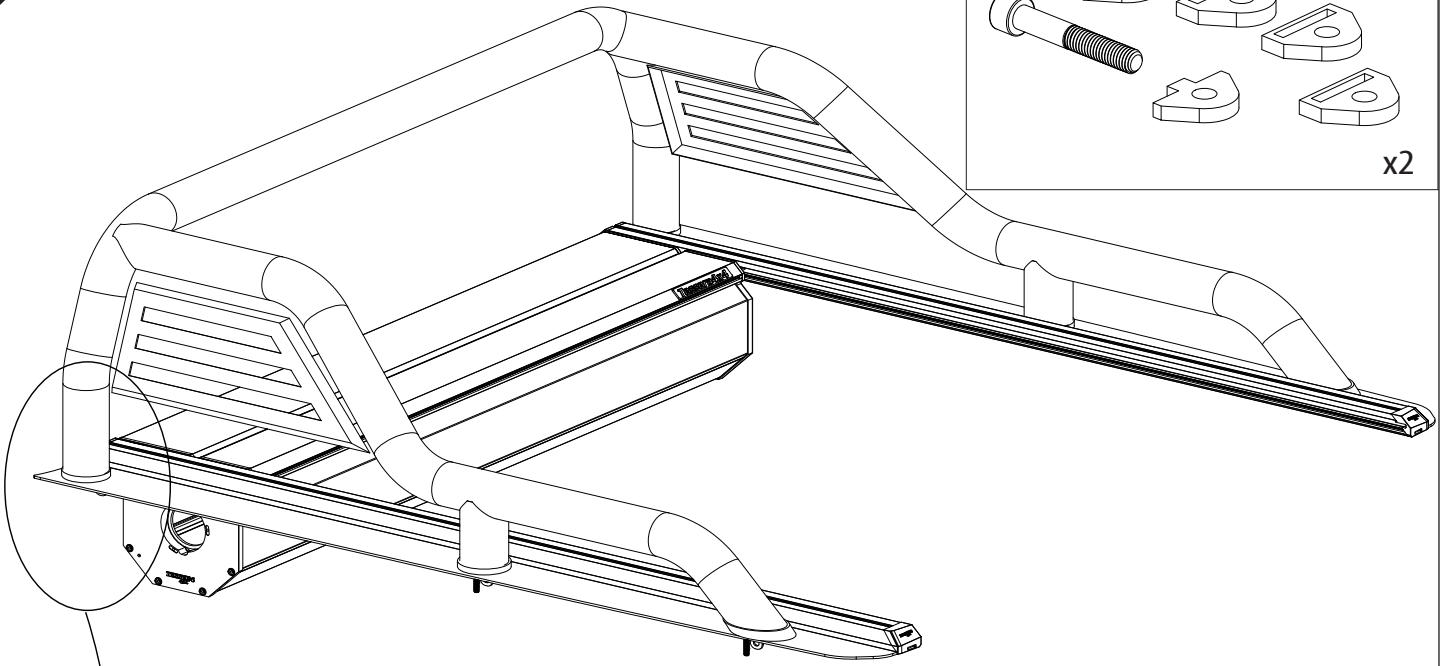


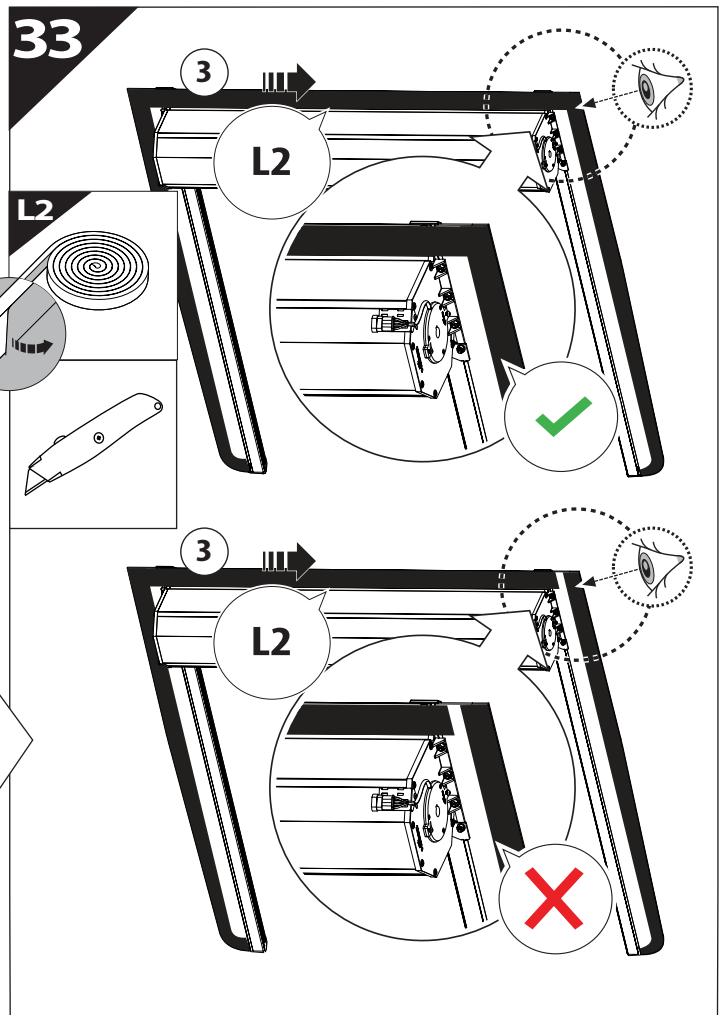
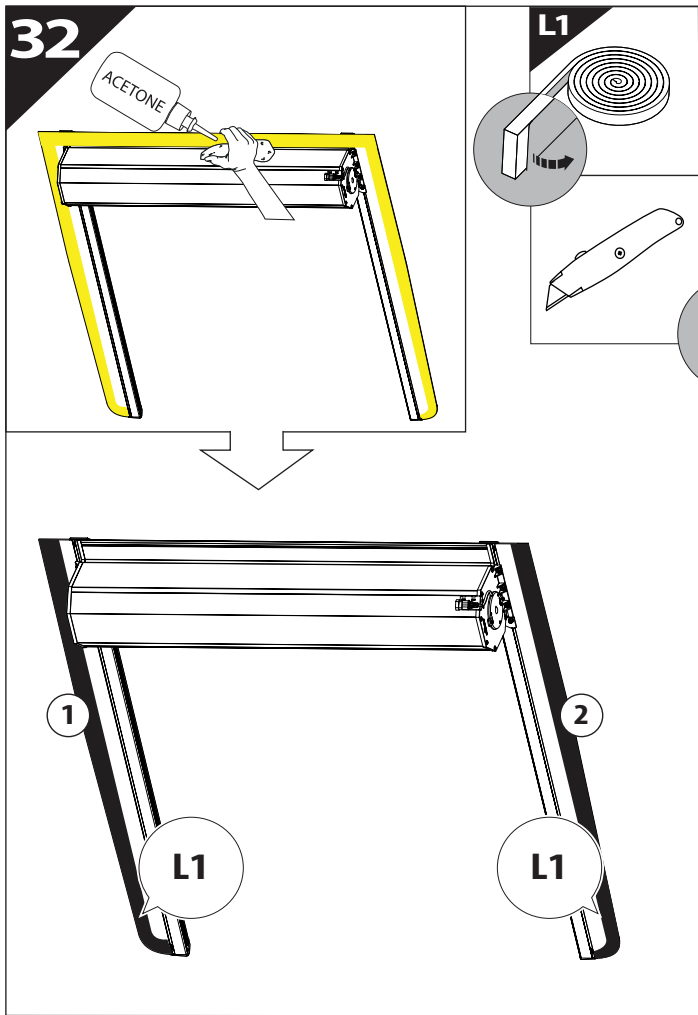
31

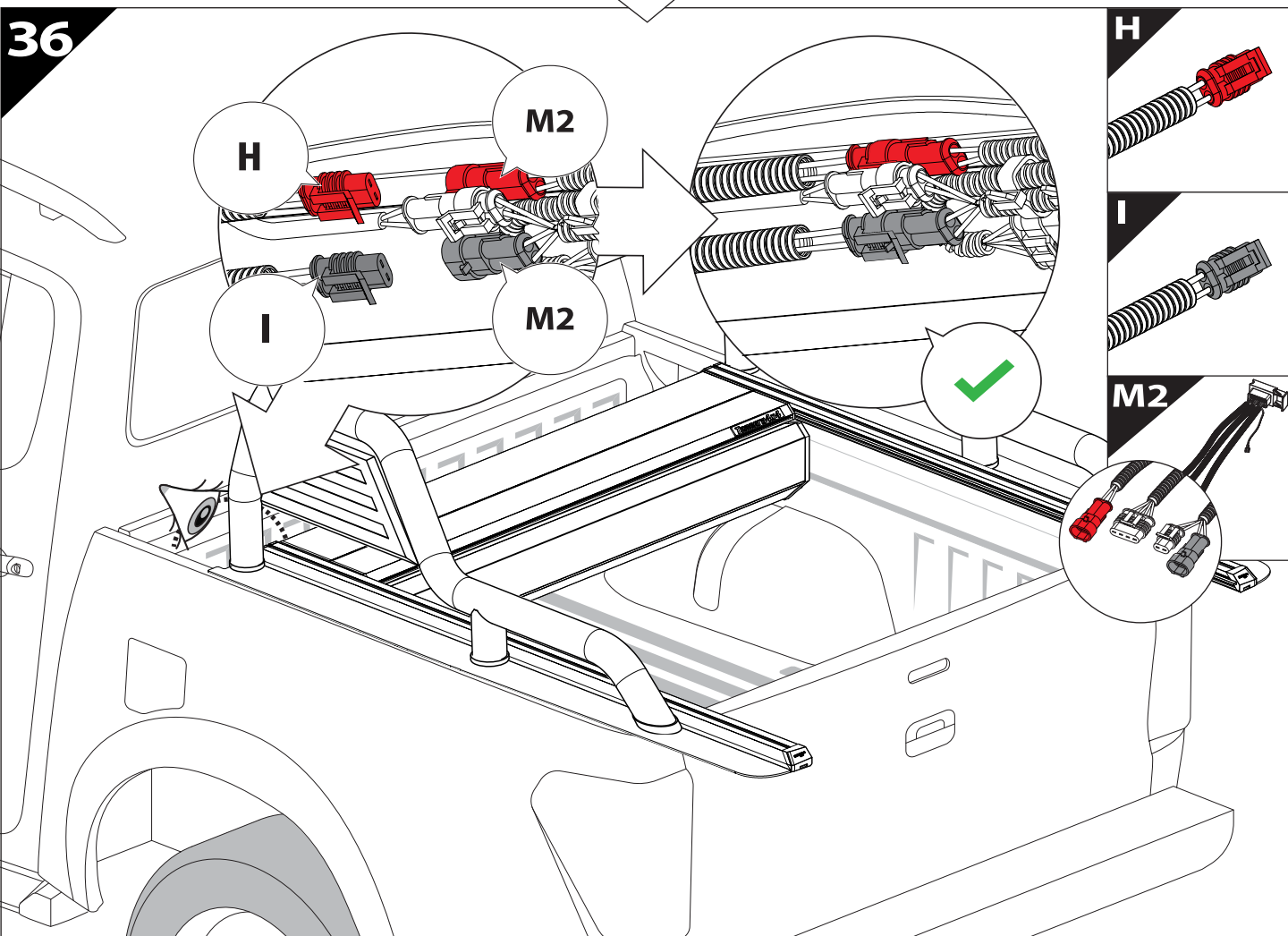
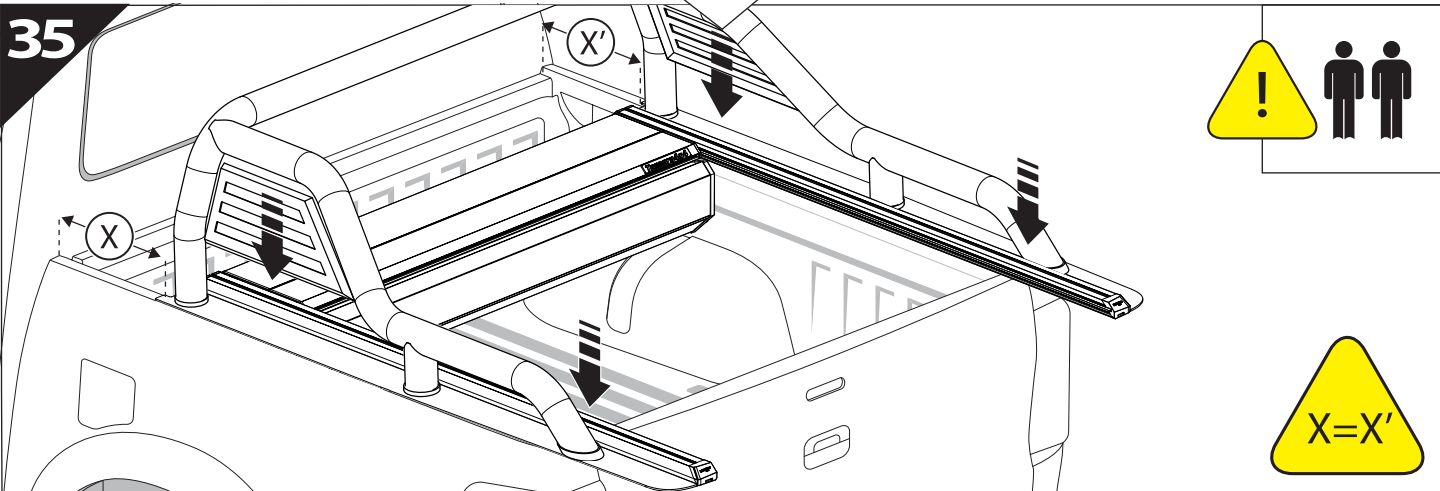
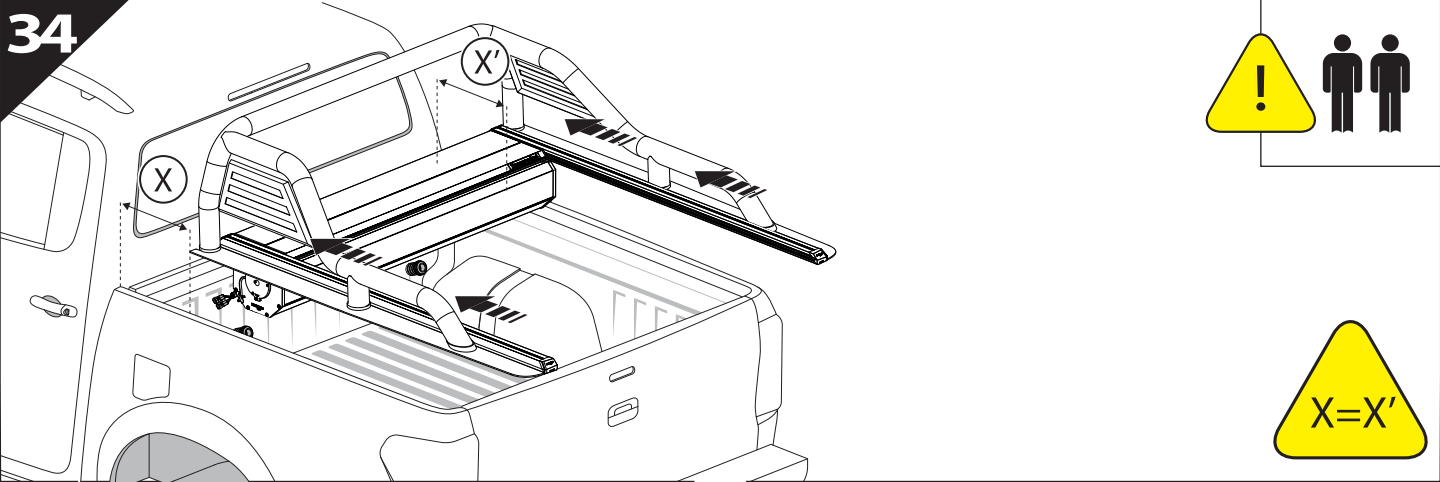
S



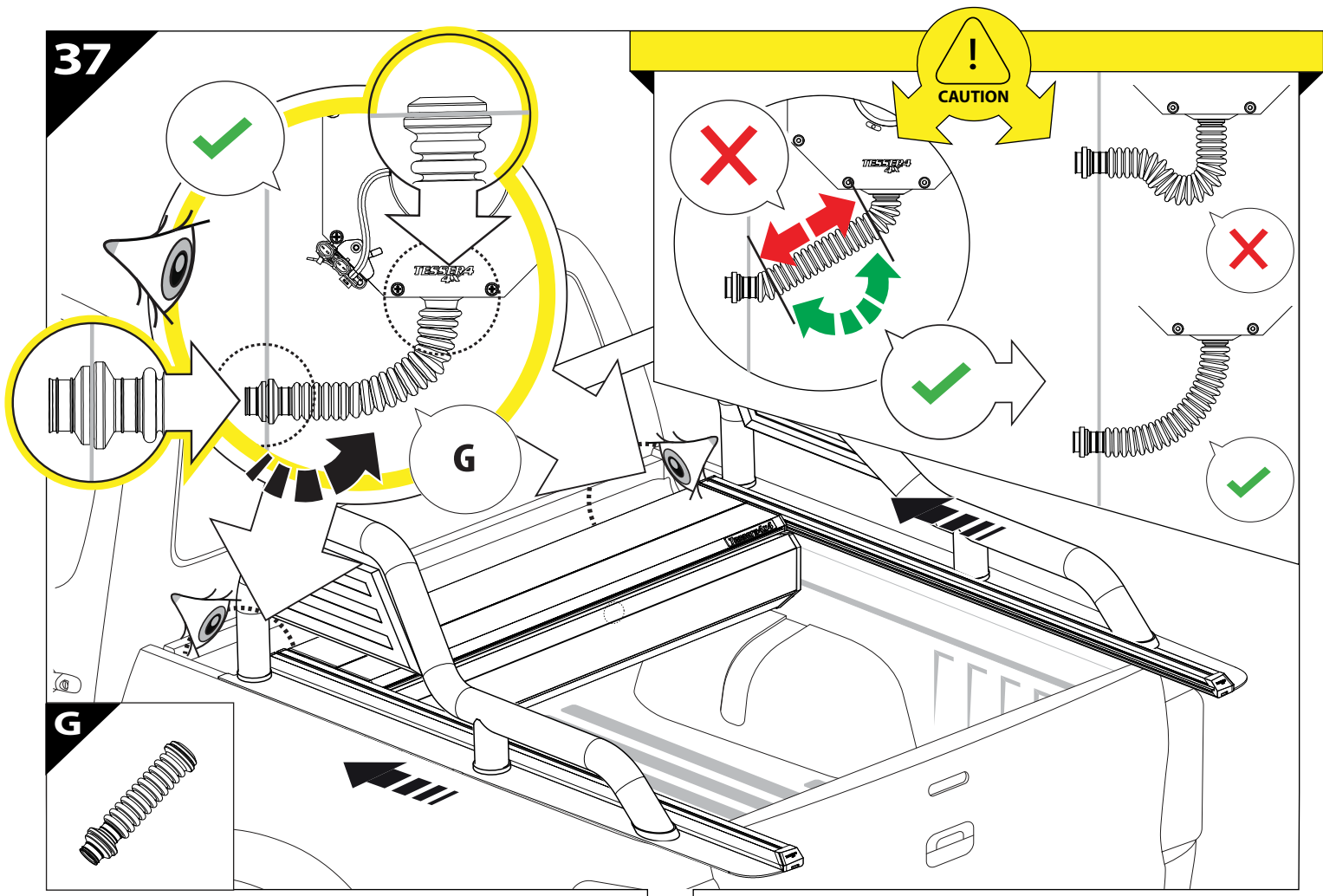
x2



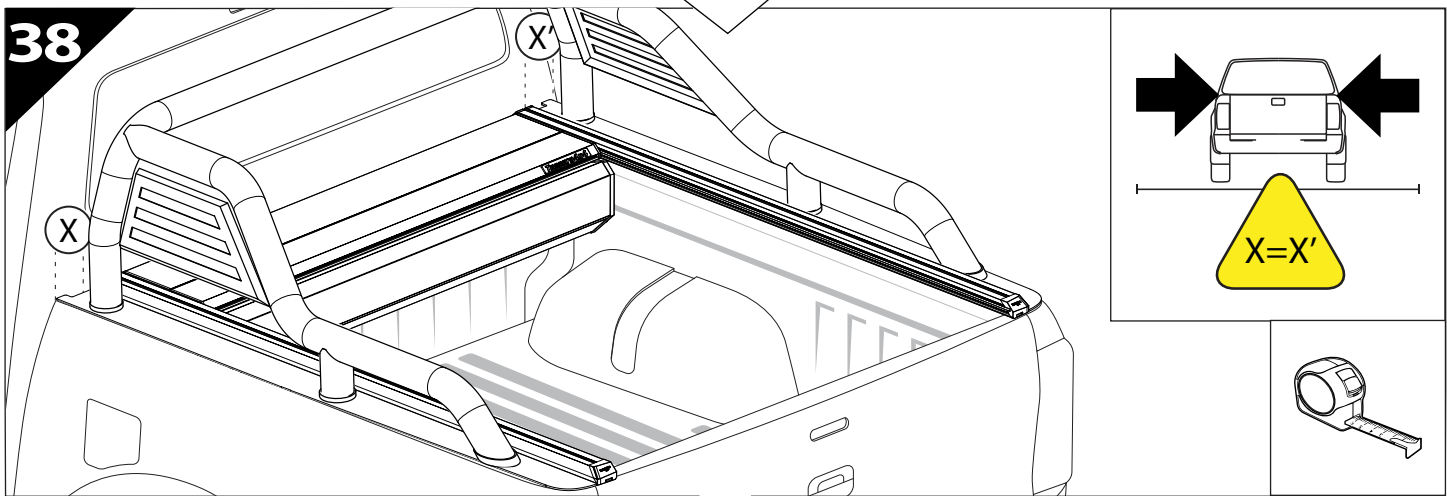




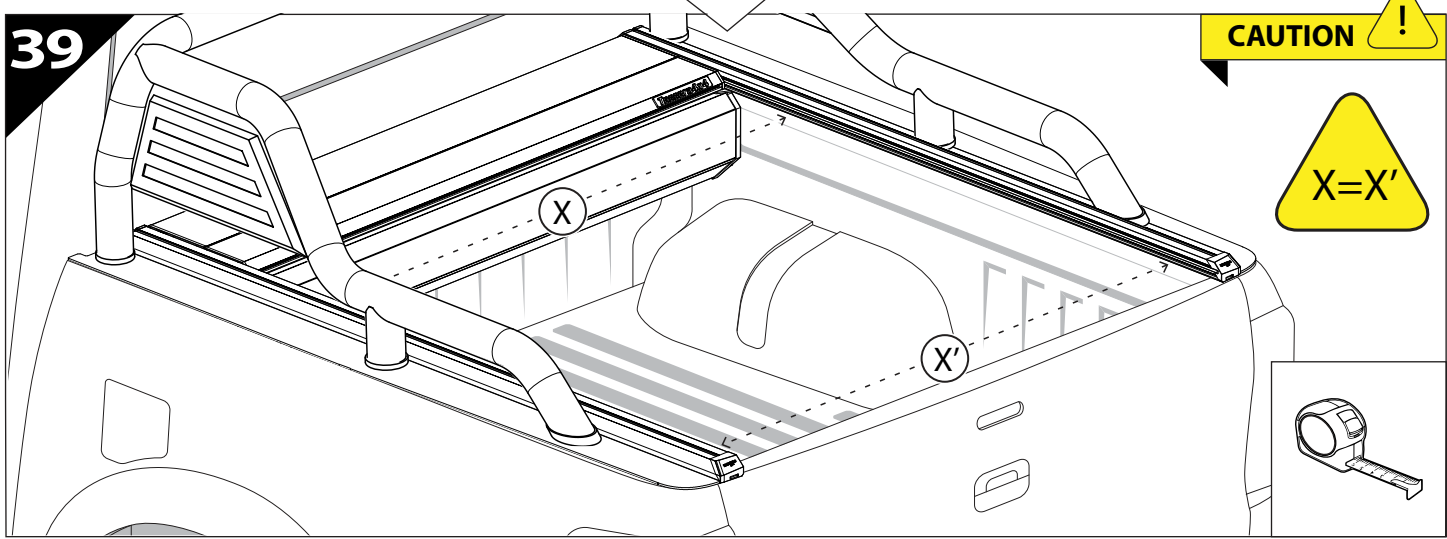
37

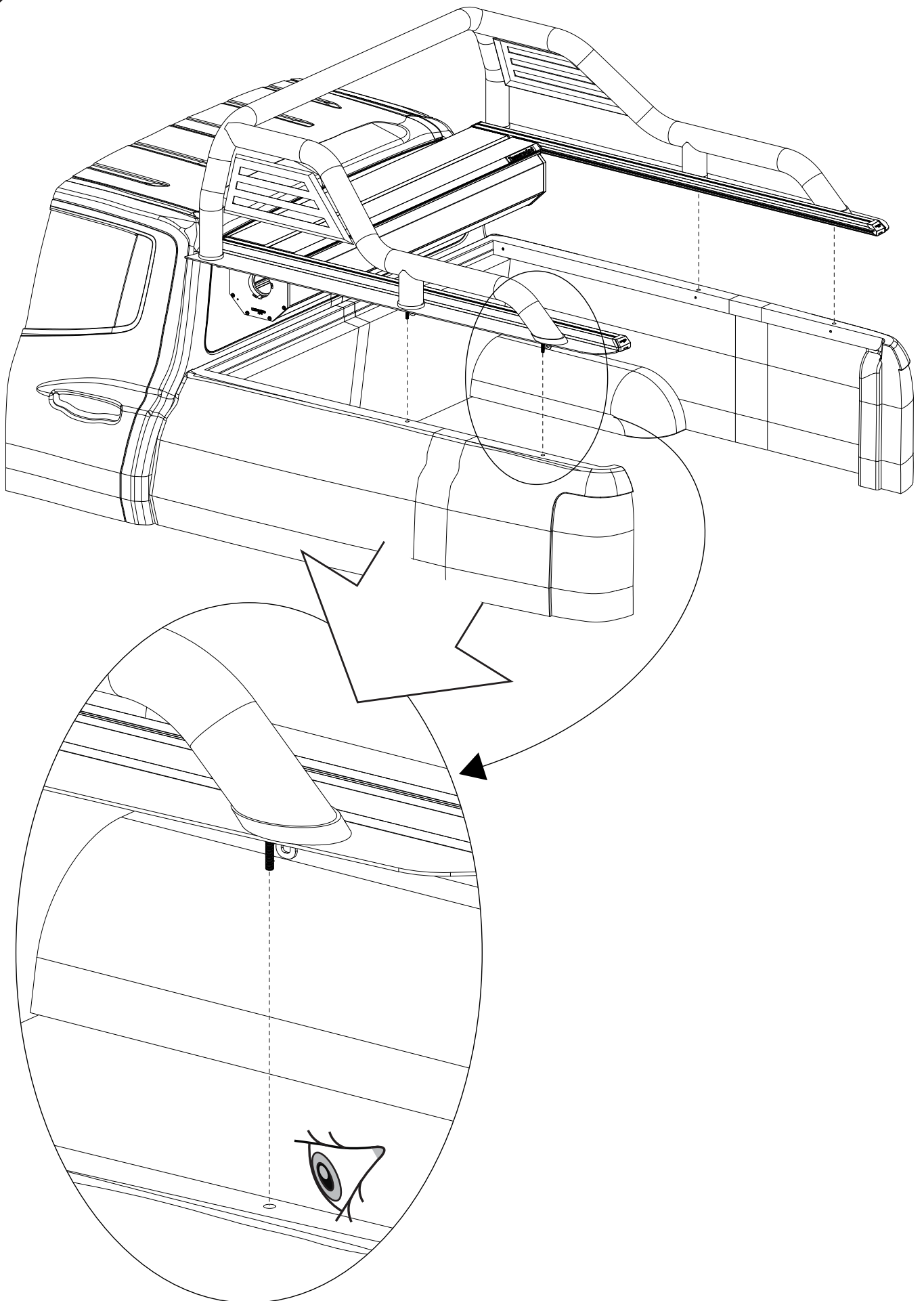


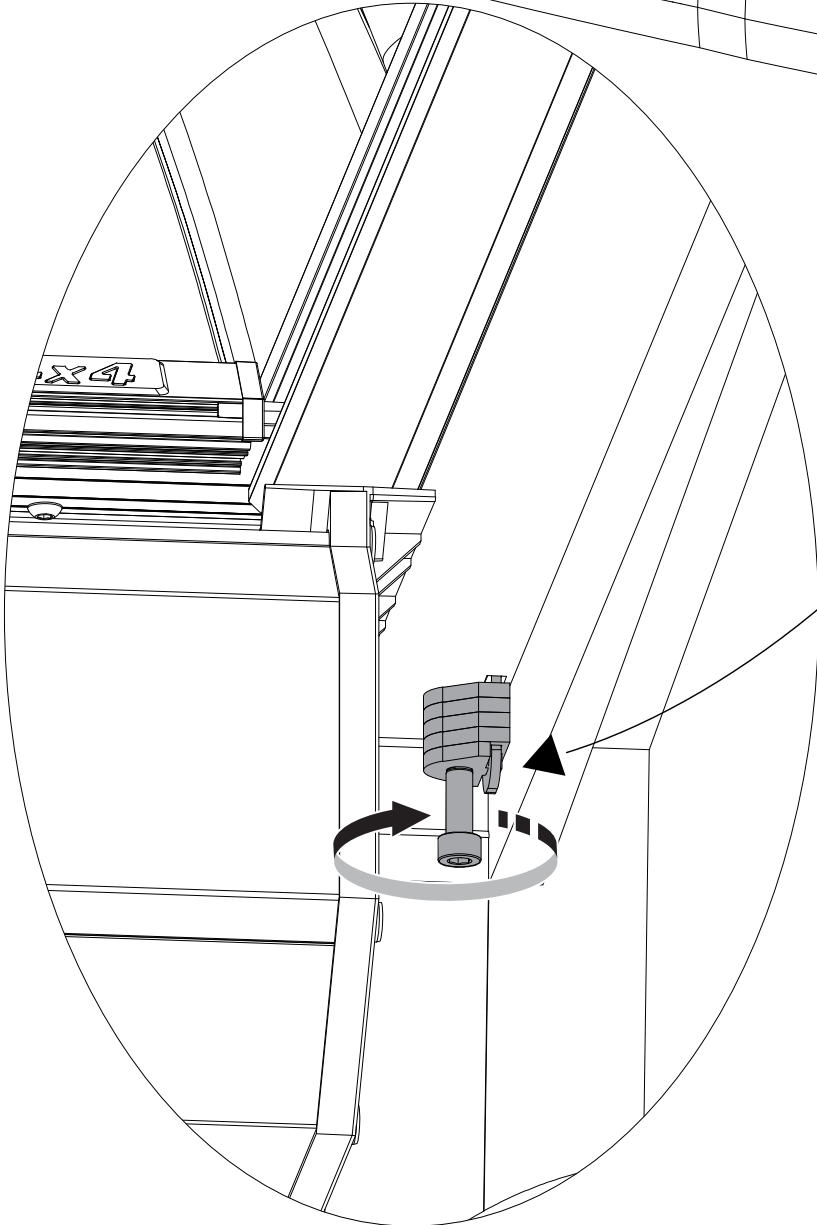
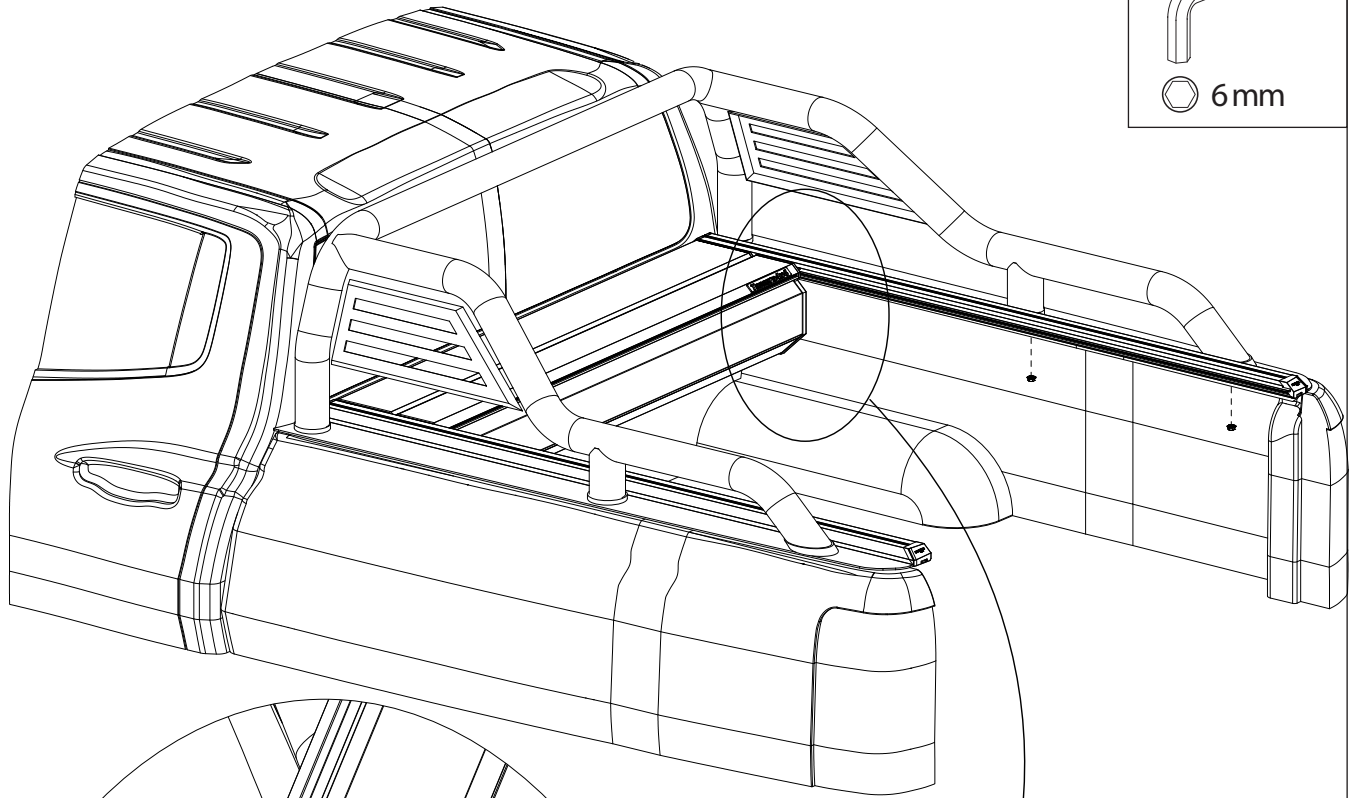
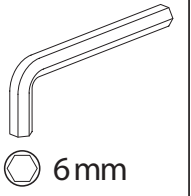
38

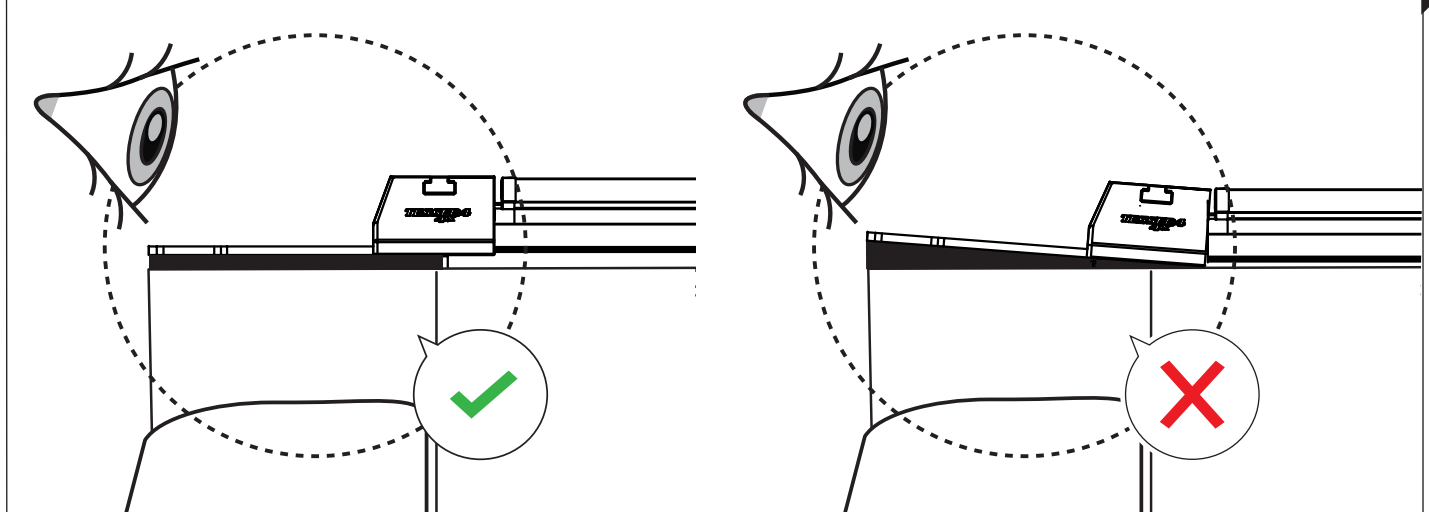
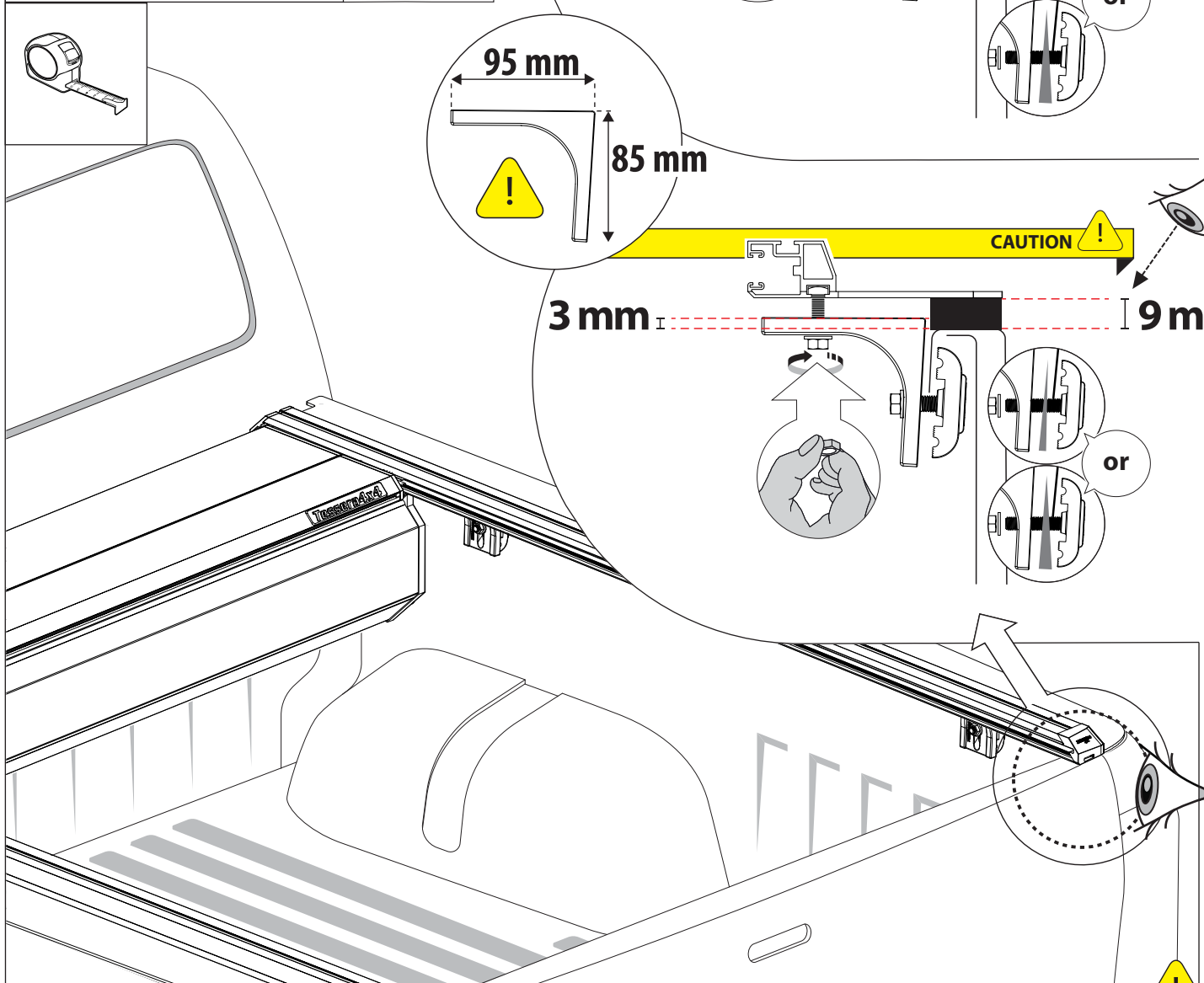
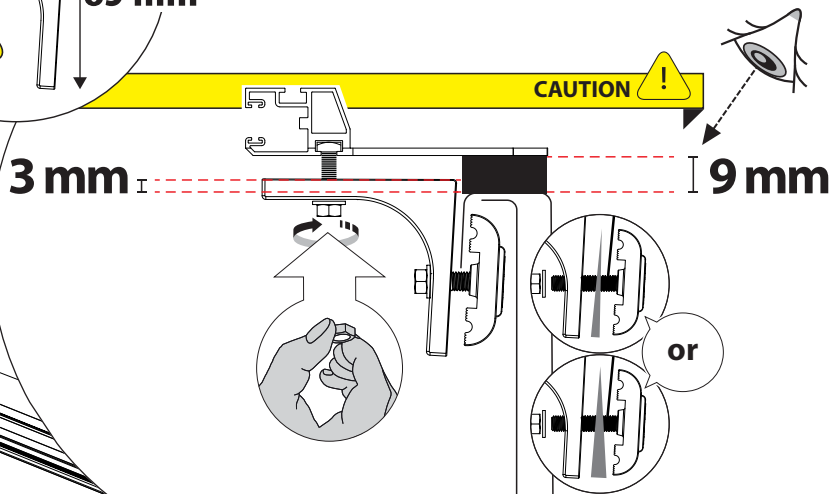
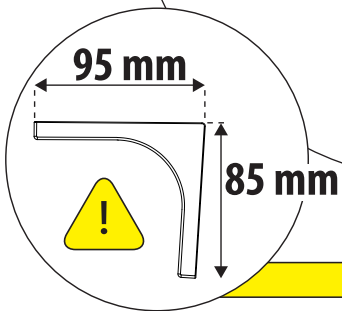
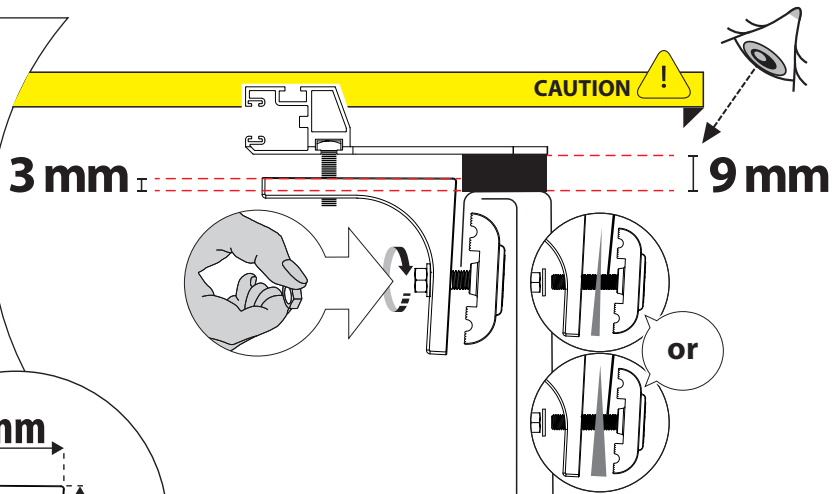
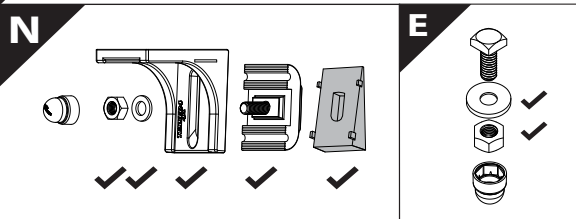


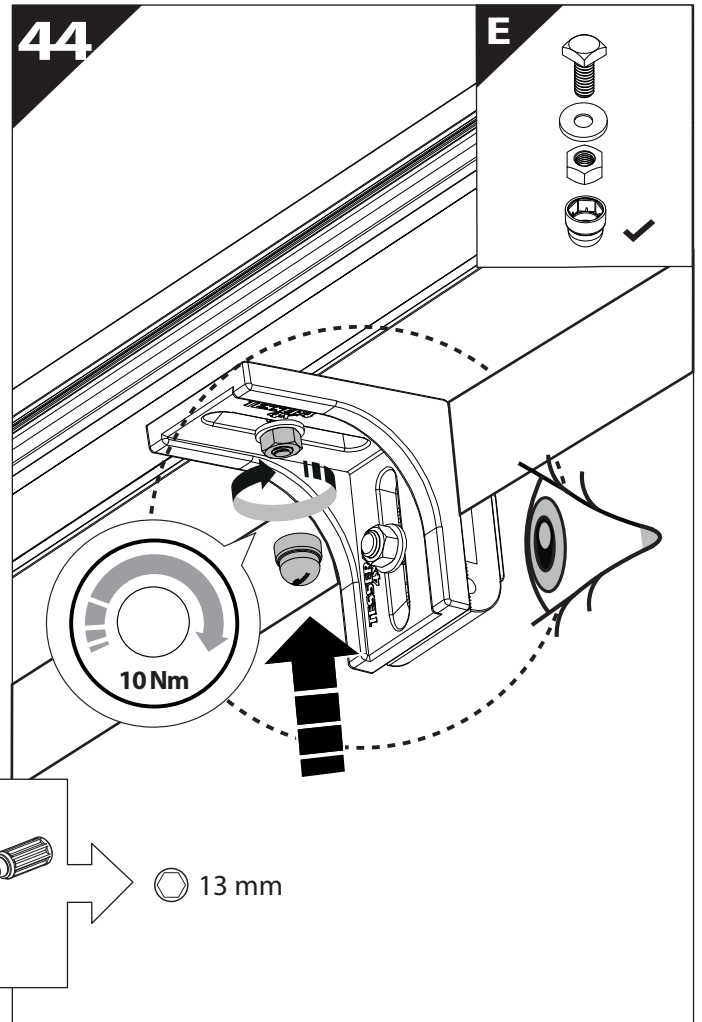
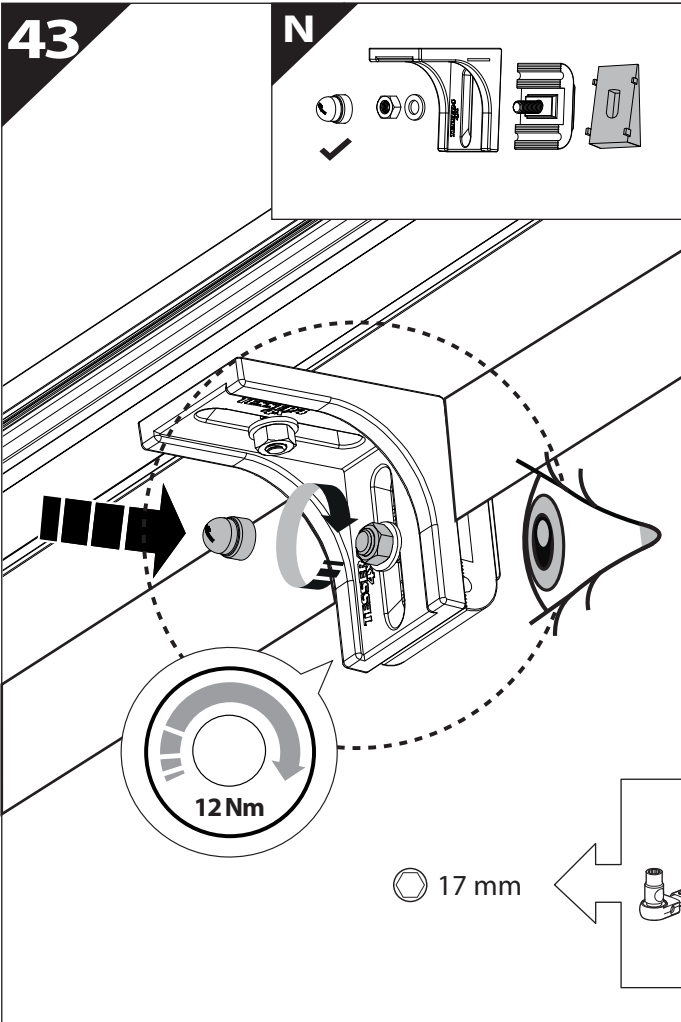
39



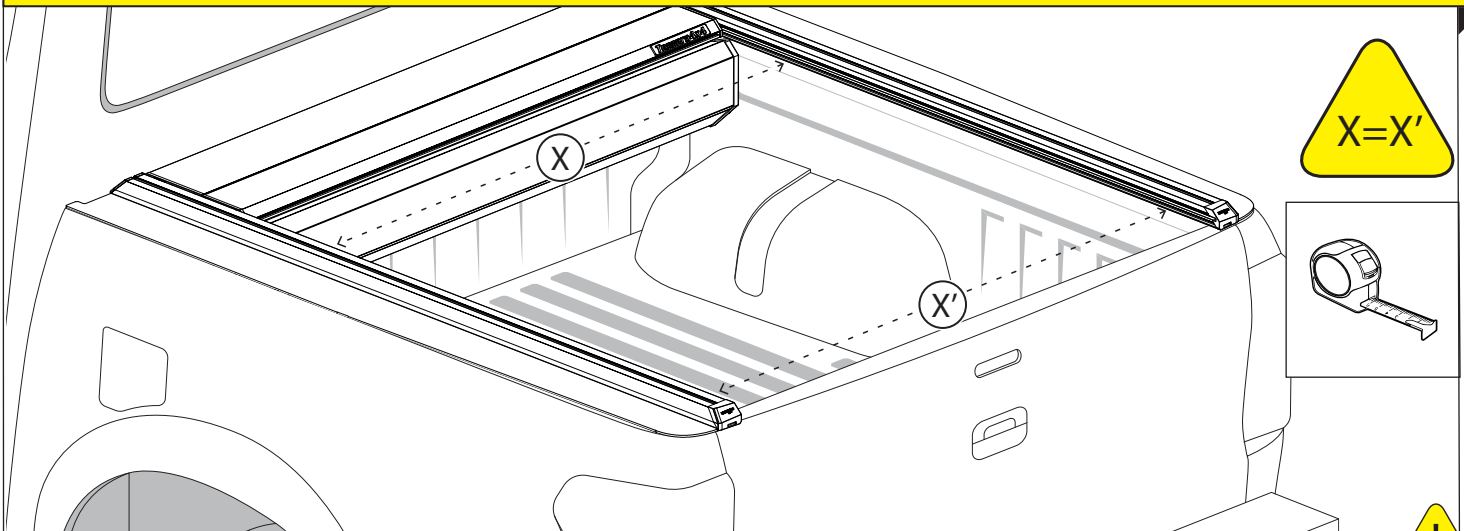




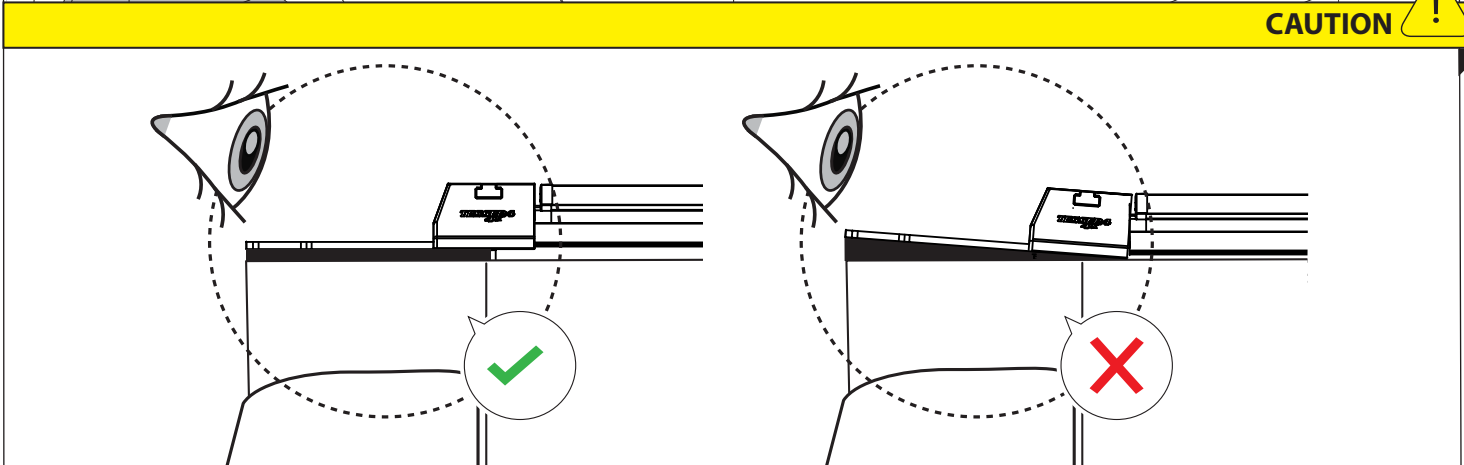


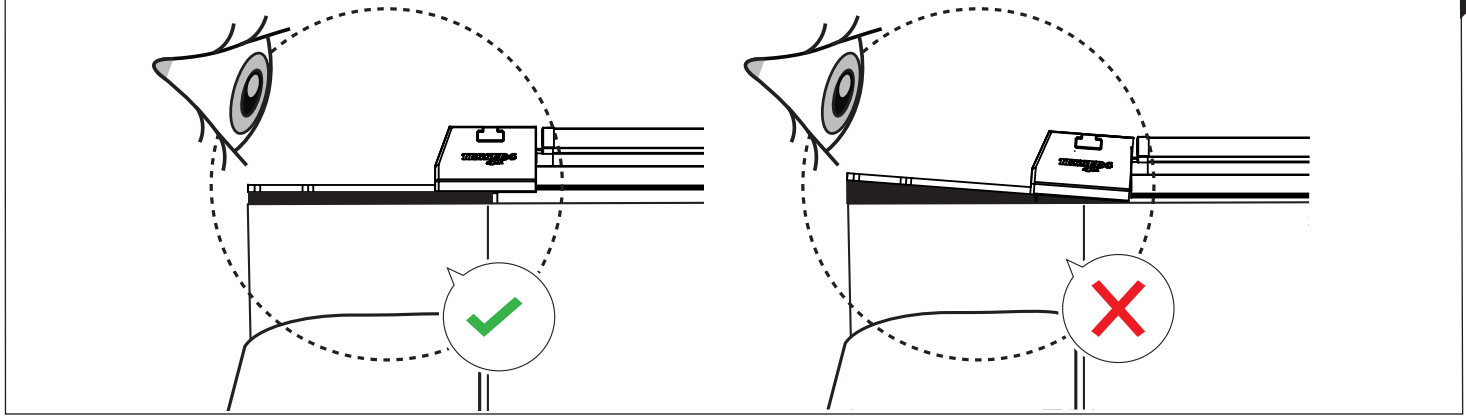
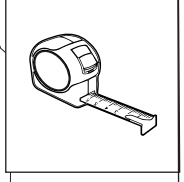
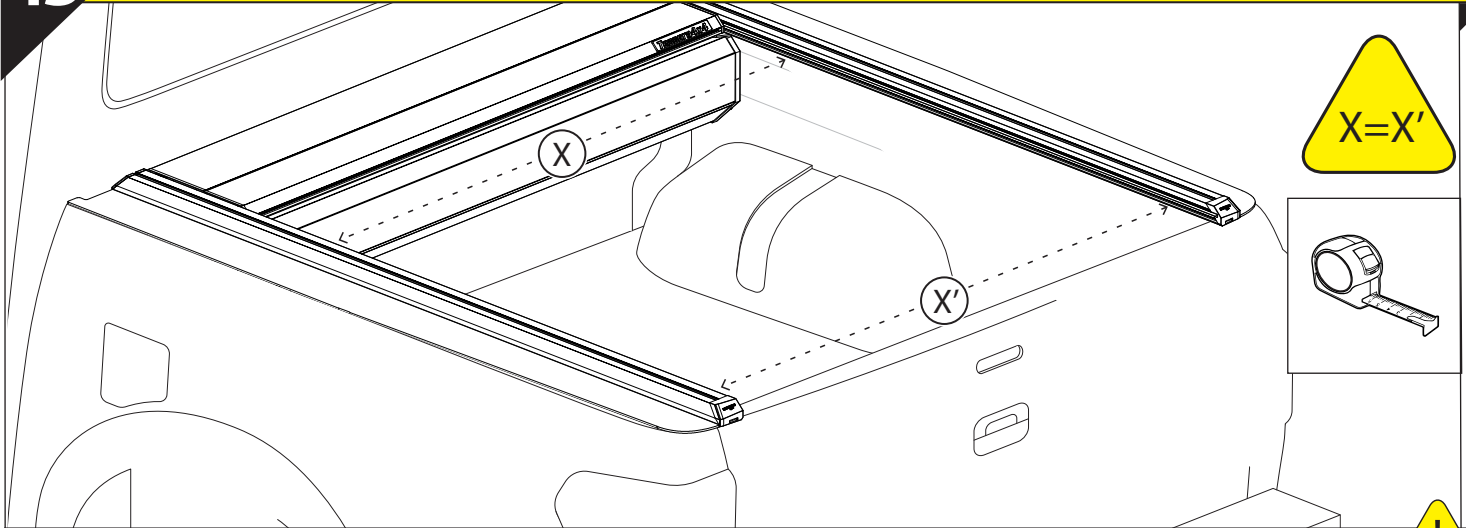


CAUTION !



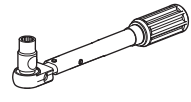
CAUTION !



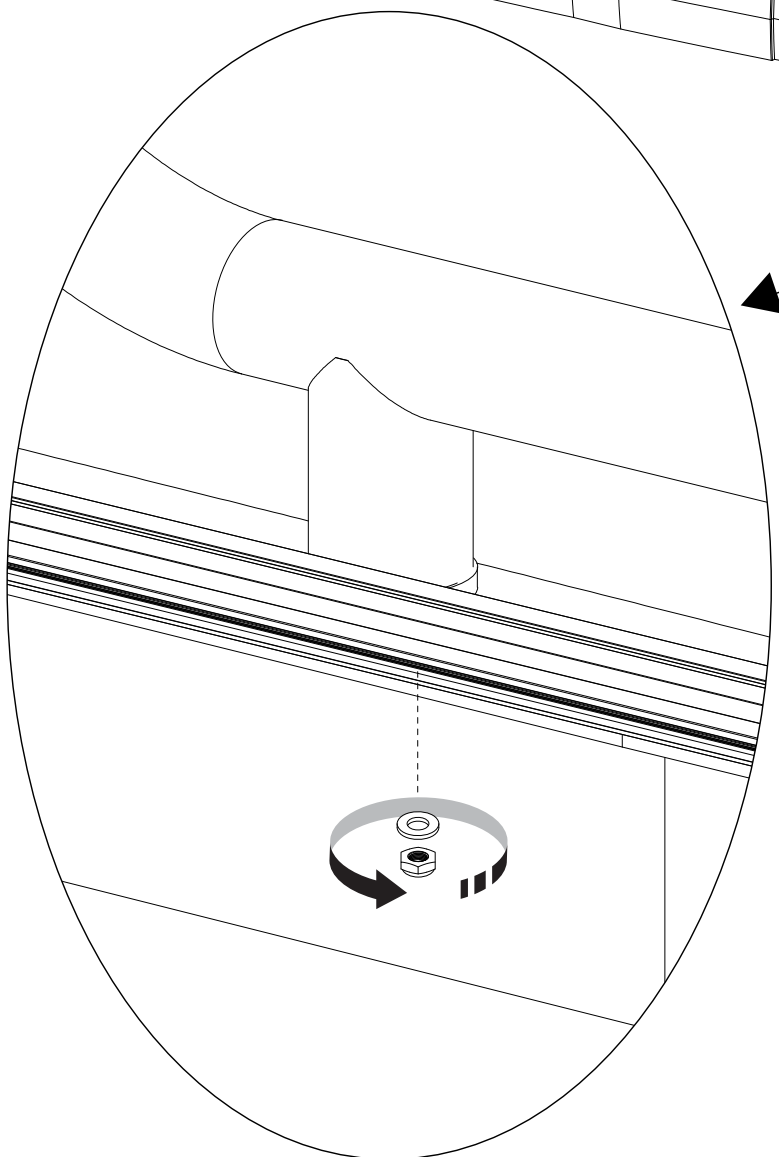
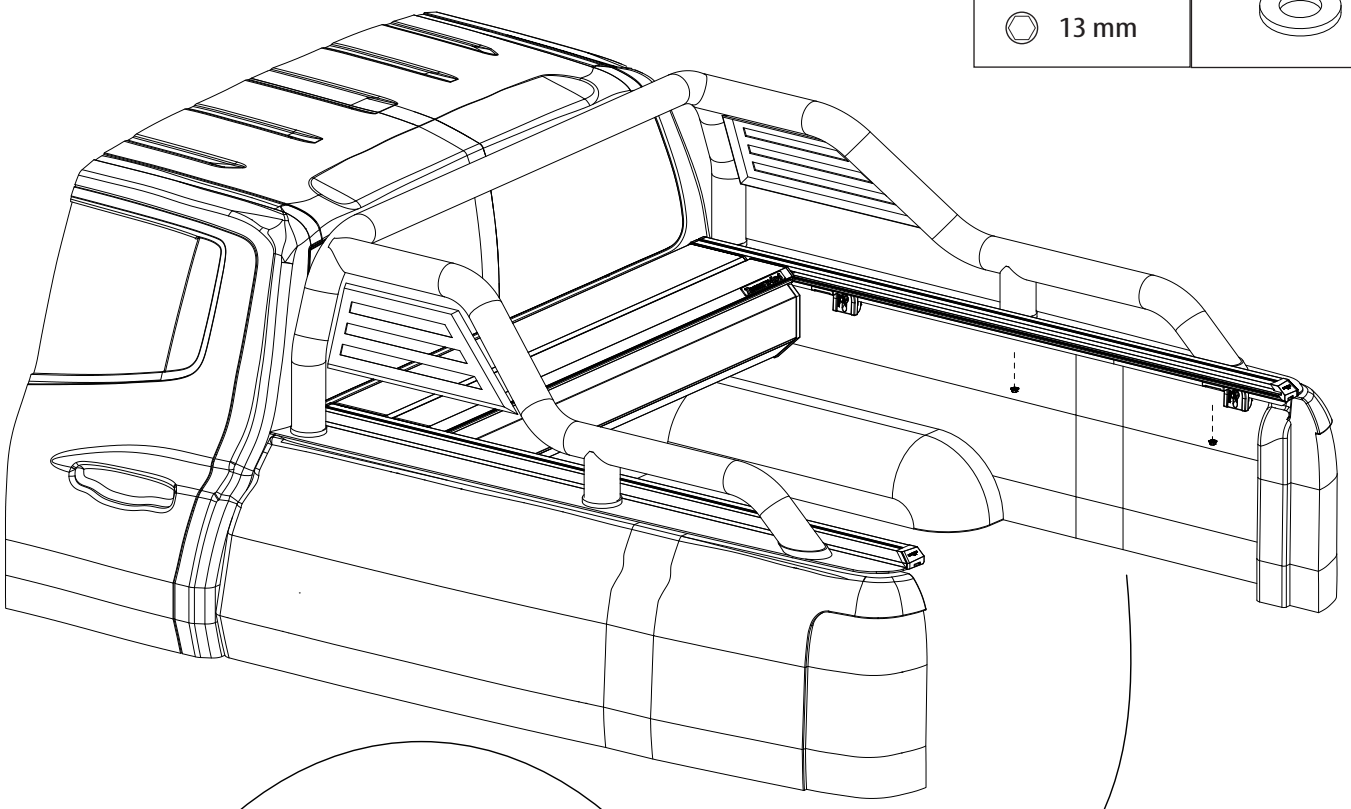
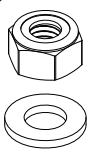


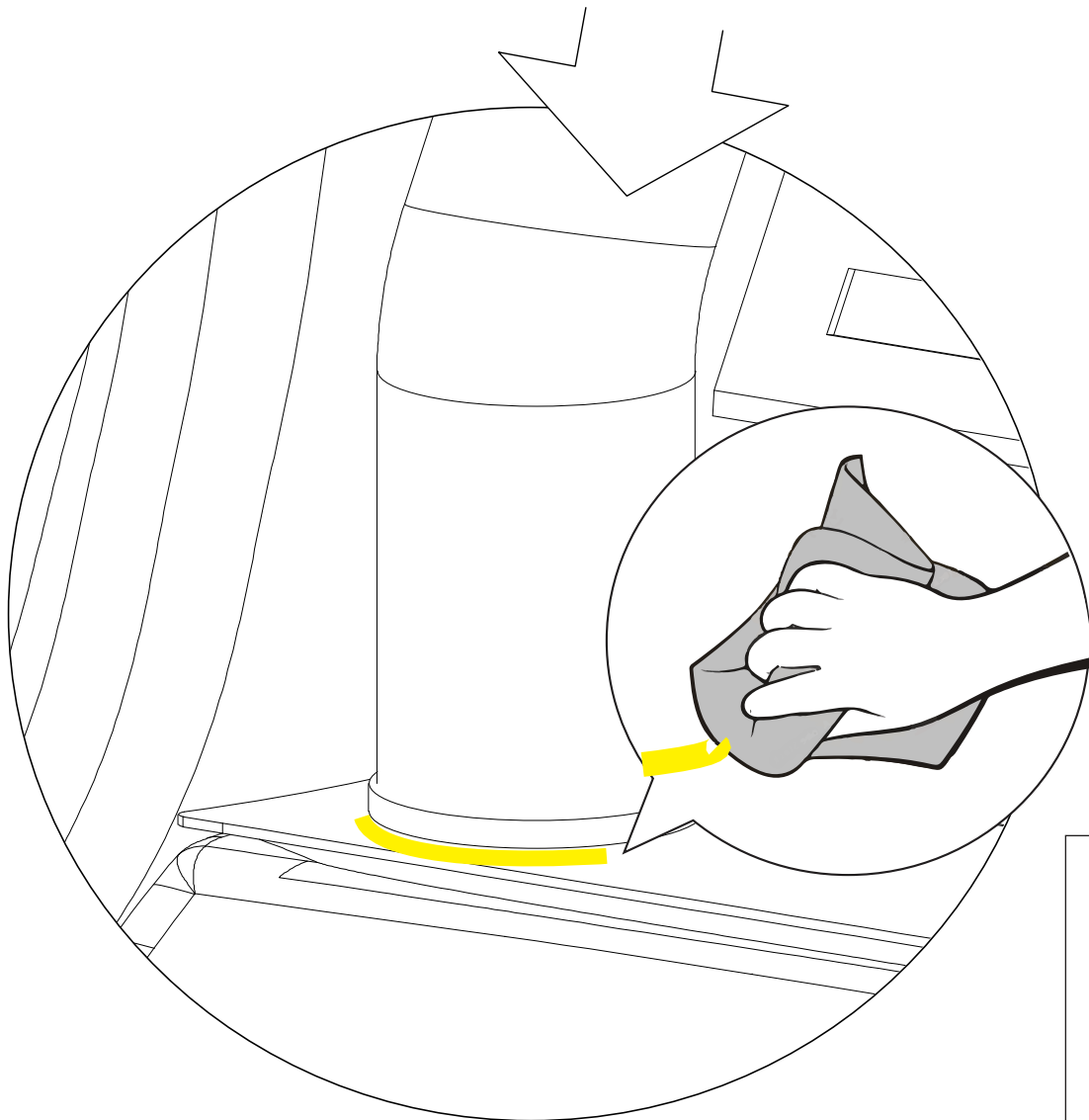
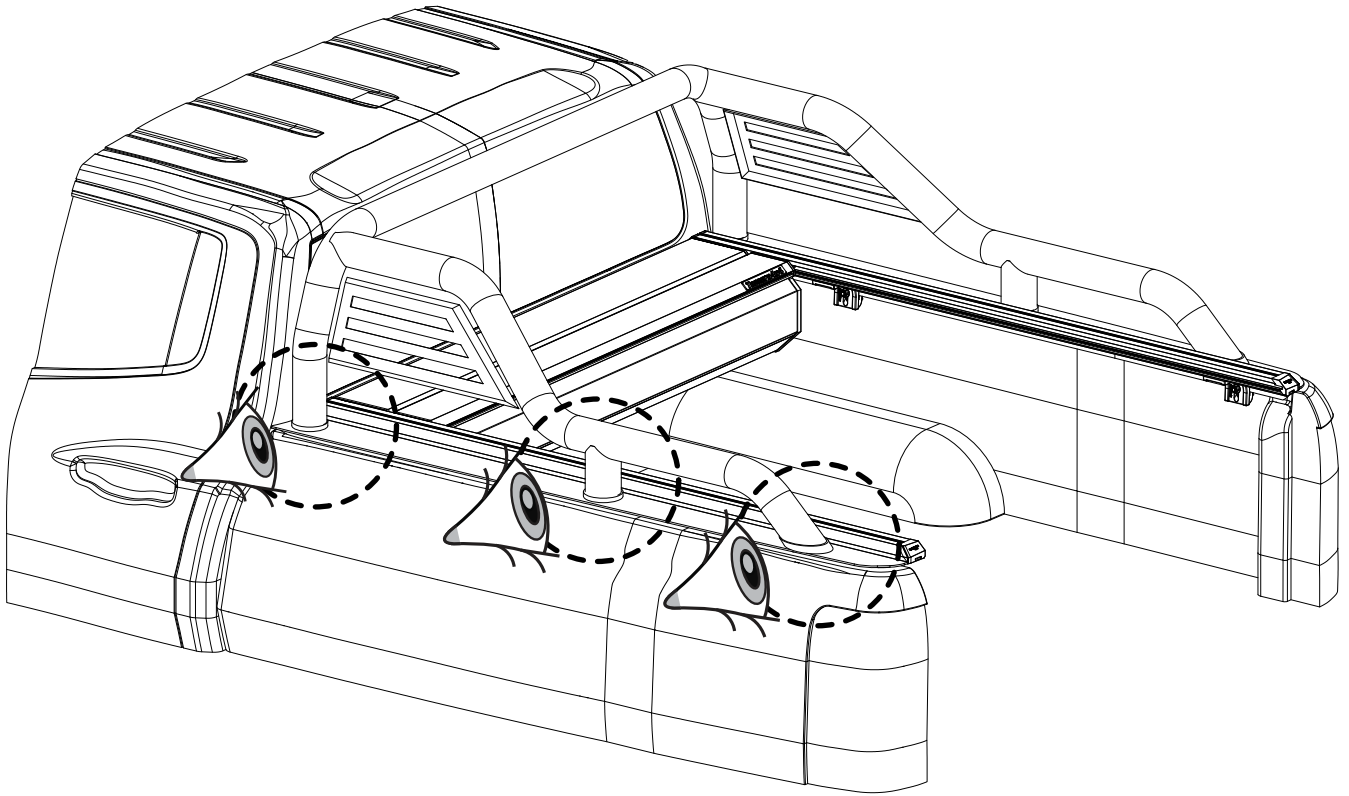
46

E3

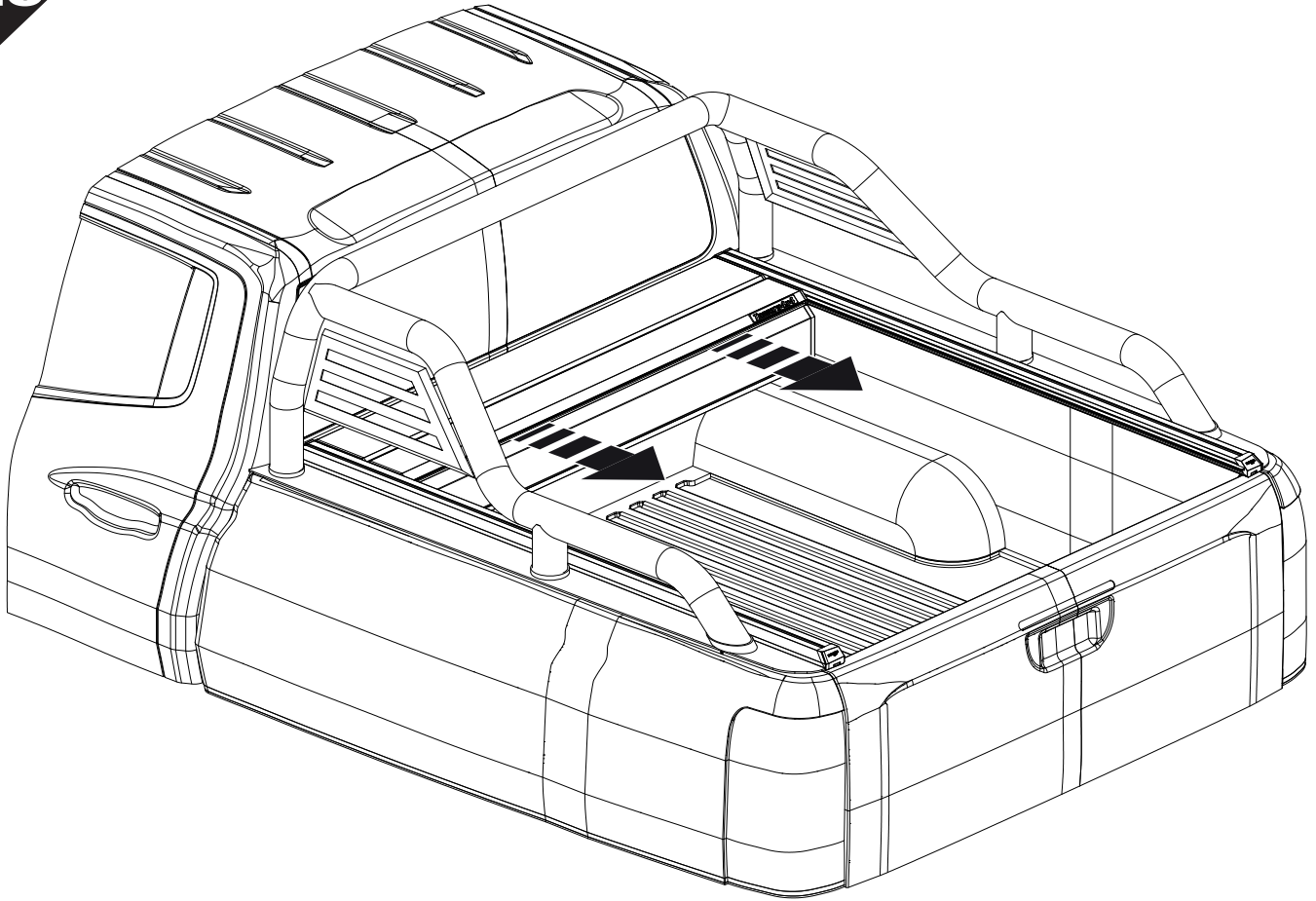


13 mm

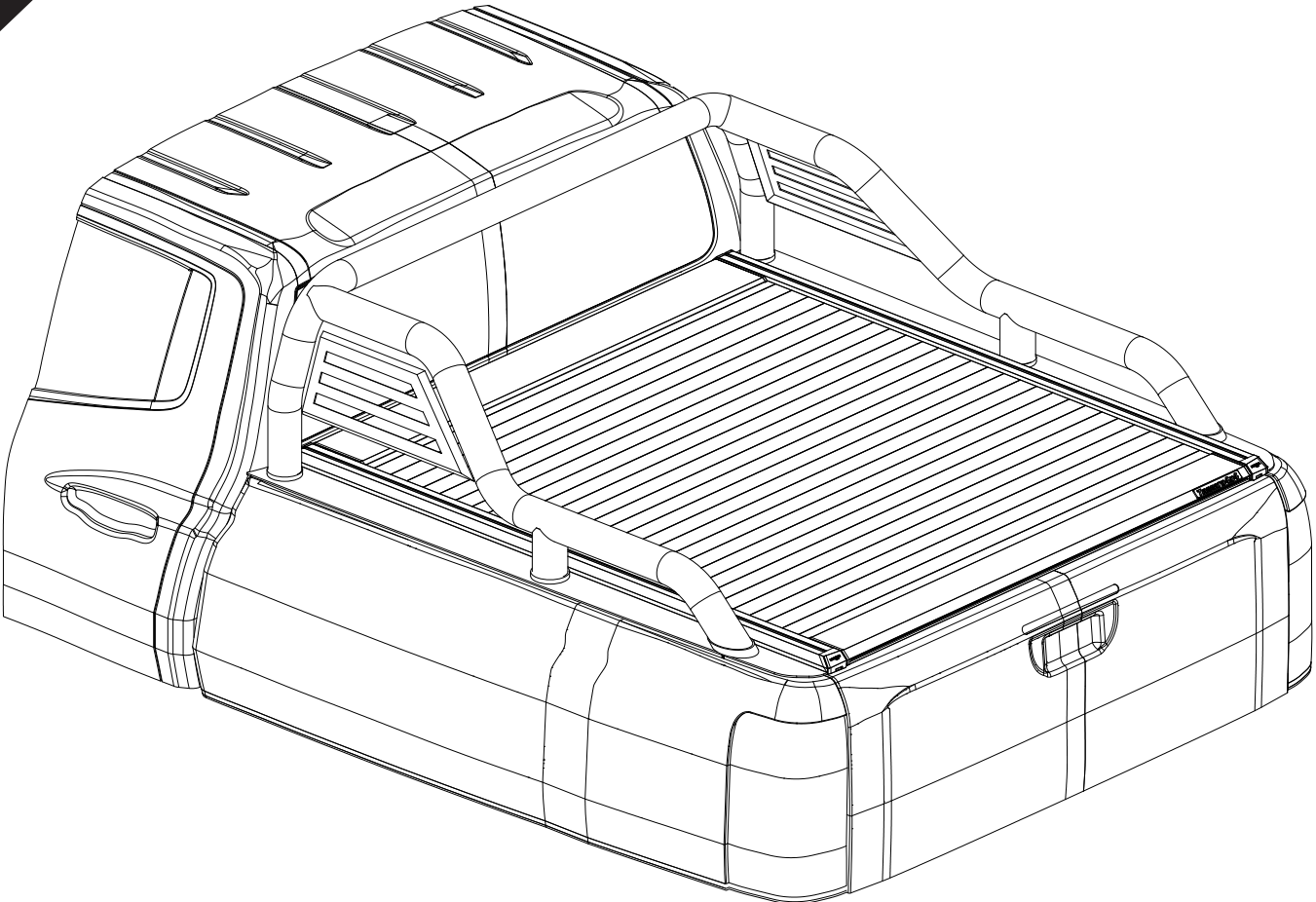




48



49





GR: Οδηγίες Εγκατάστασης
GB: Installation manual
SF: Asennusohje
F: Notice de montage
PL: Instrukcja montażu
NL: Installatie-instructies
TR: Montaj Talimatı
S: Monteringsanvisning
E: Instrucciones de montaje

H: Szerelési utasítás
P: Instruções de instalação
RUS: Инструкция по установке
N: Monteringsveiledning
D: Einbauanleitung
CZ: Návod k instalaci
I: Istruzioni de montaggio
DK: Monteringsvejledning
RO: Instructiuni de instalare

Customer Service:

+30 (210) 5541161, +30 (210) 5541154 (08:00 - 16:00 EET)

Support department:

info@gianso.gr

Website:

www.tessera4x4.com

Address:

19.5 km of National road Athens-Korinthos (Elefsina) Greece, P.C: 19200