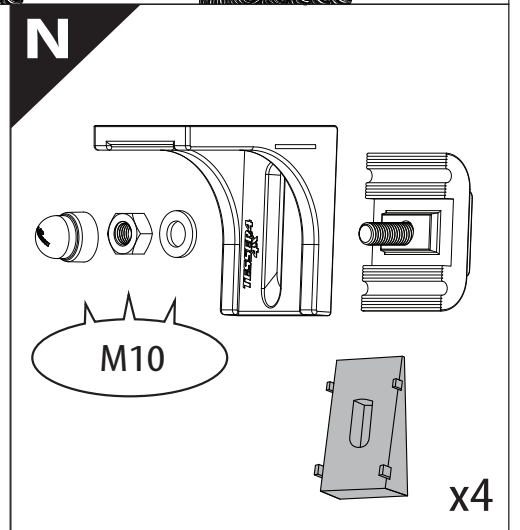
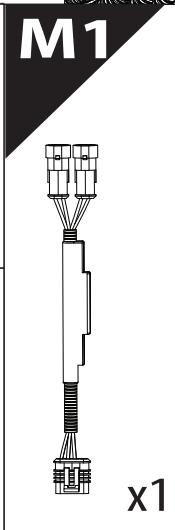
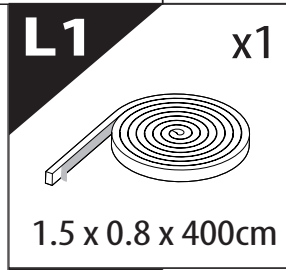
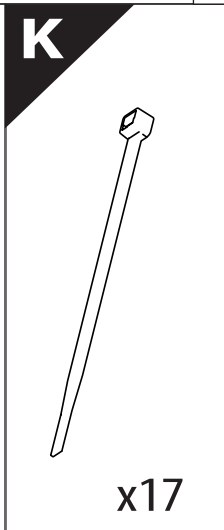
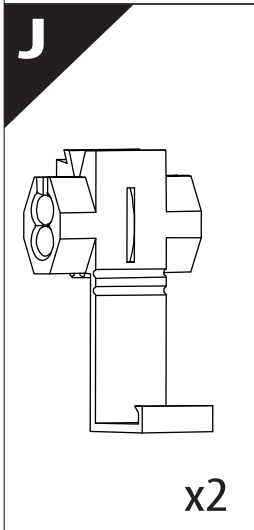
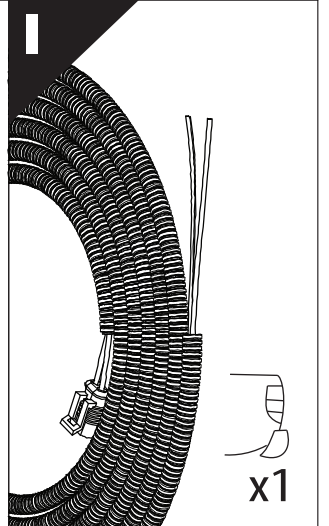
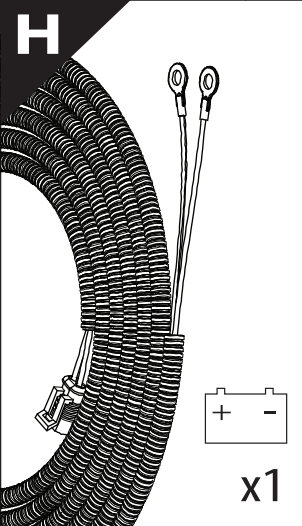
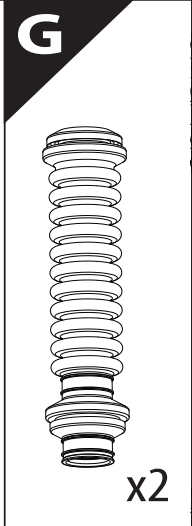
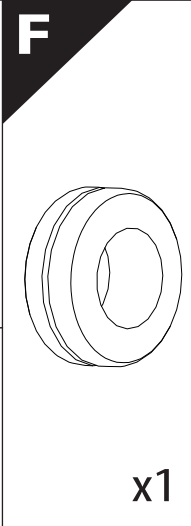
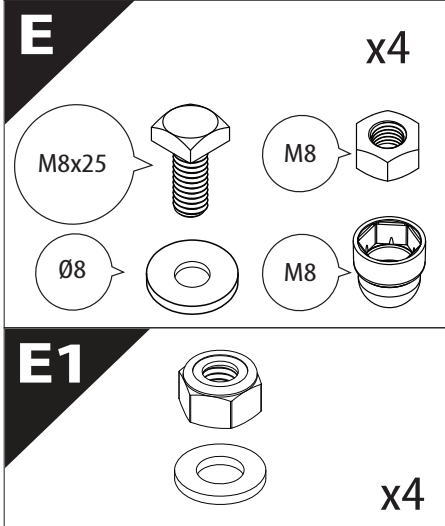
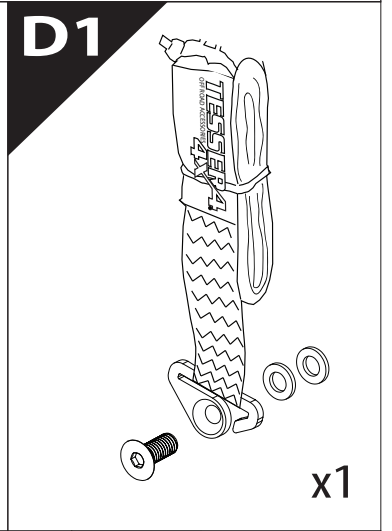
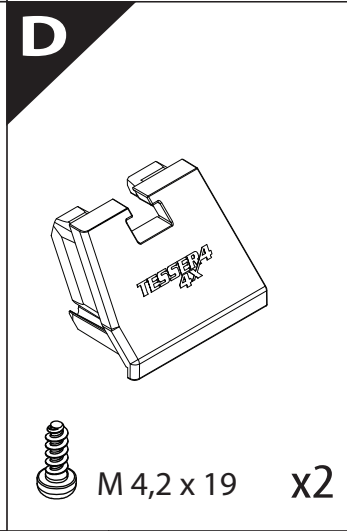
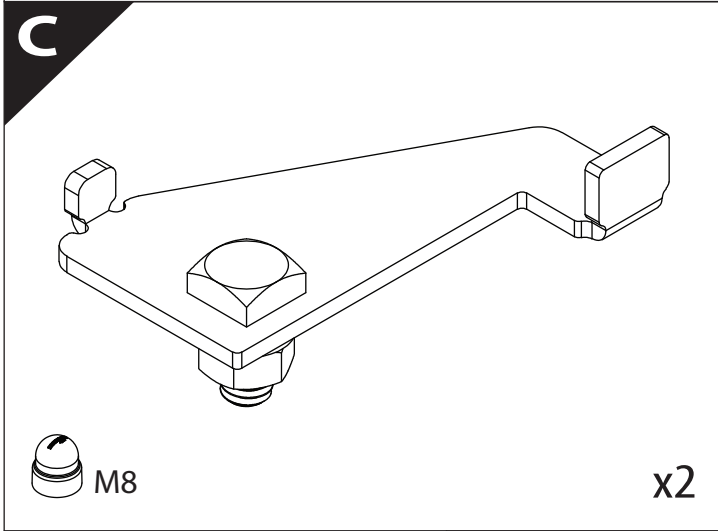
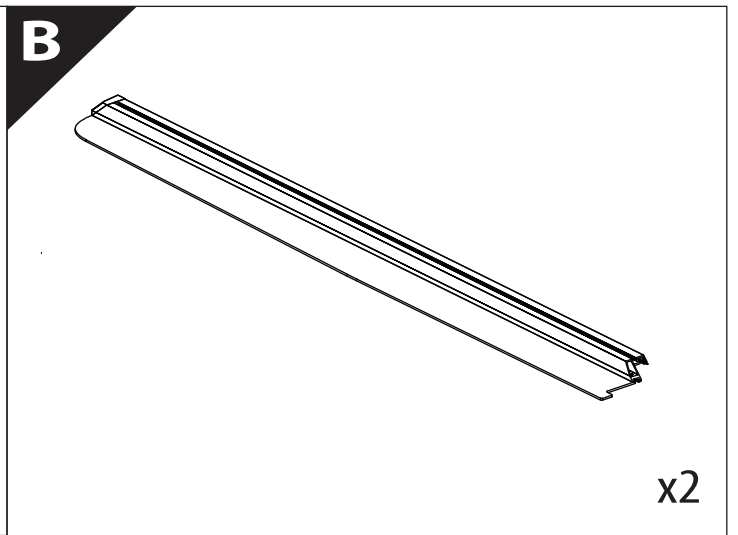
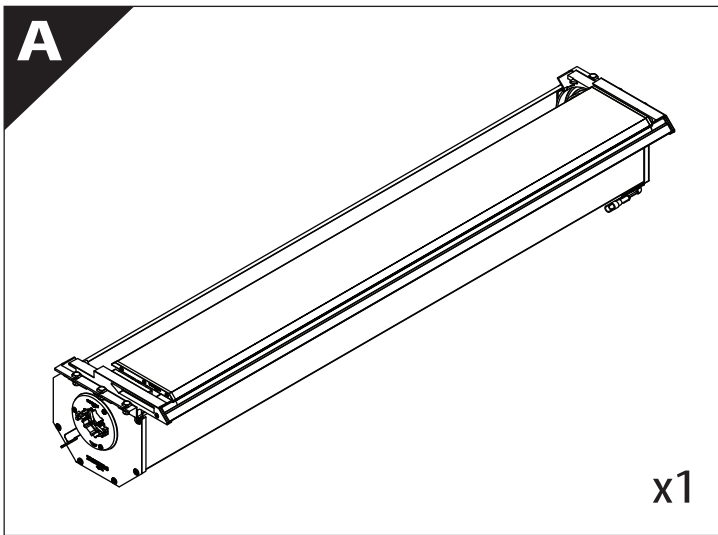
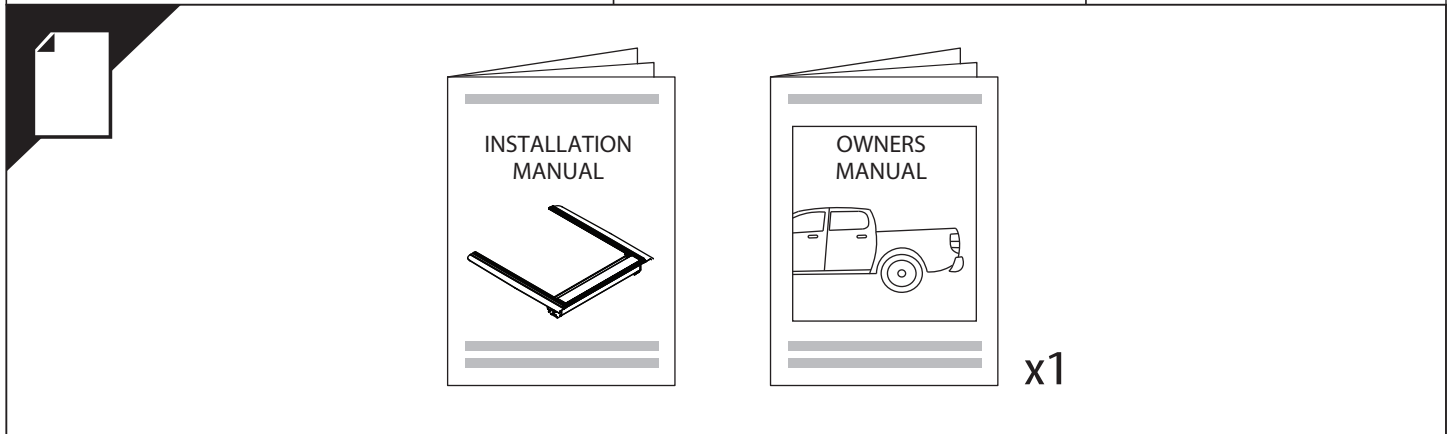
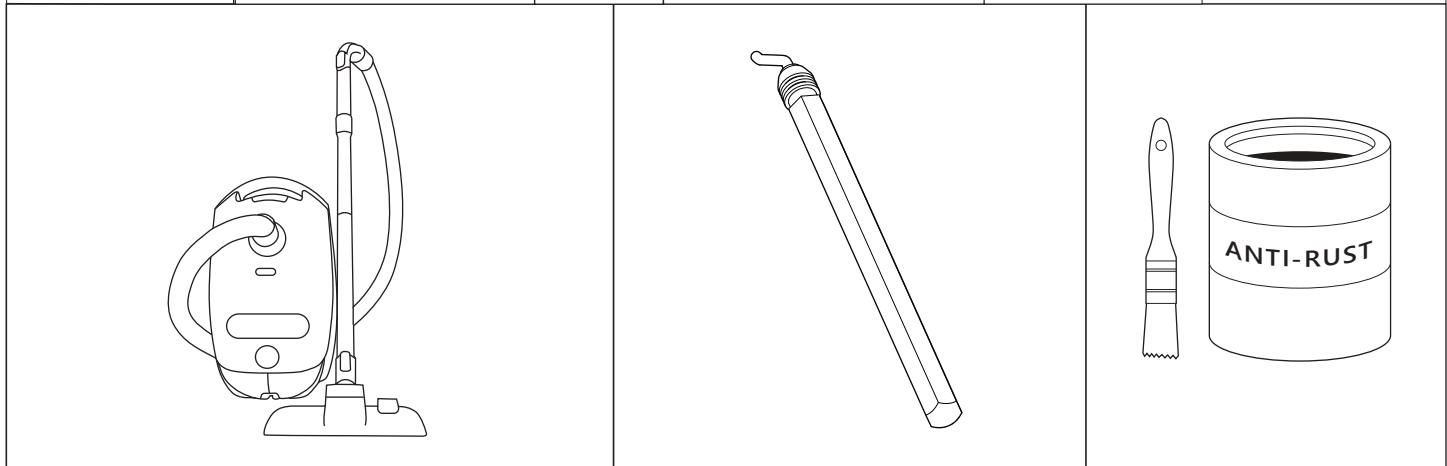
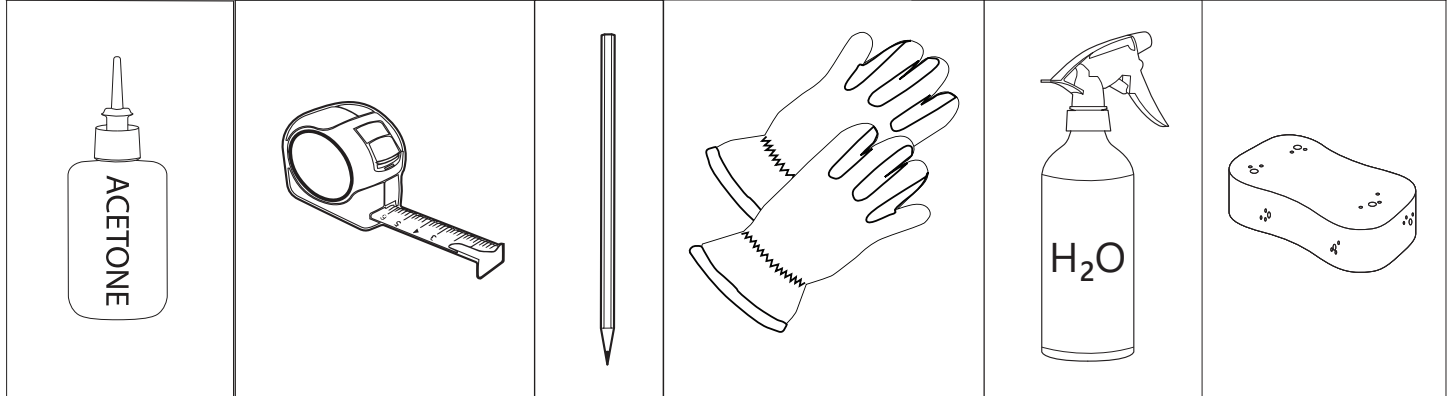
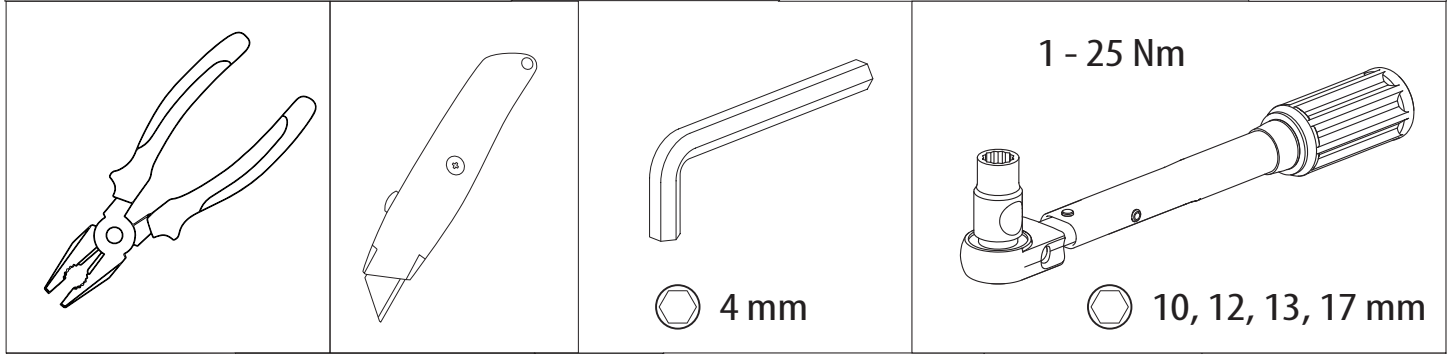
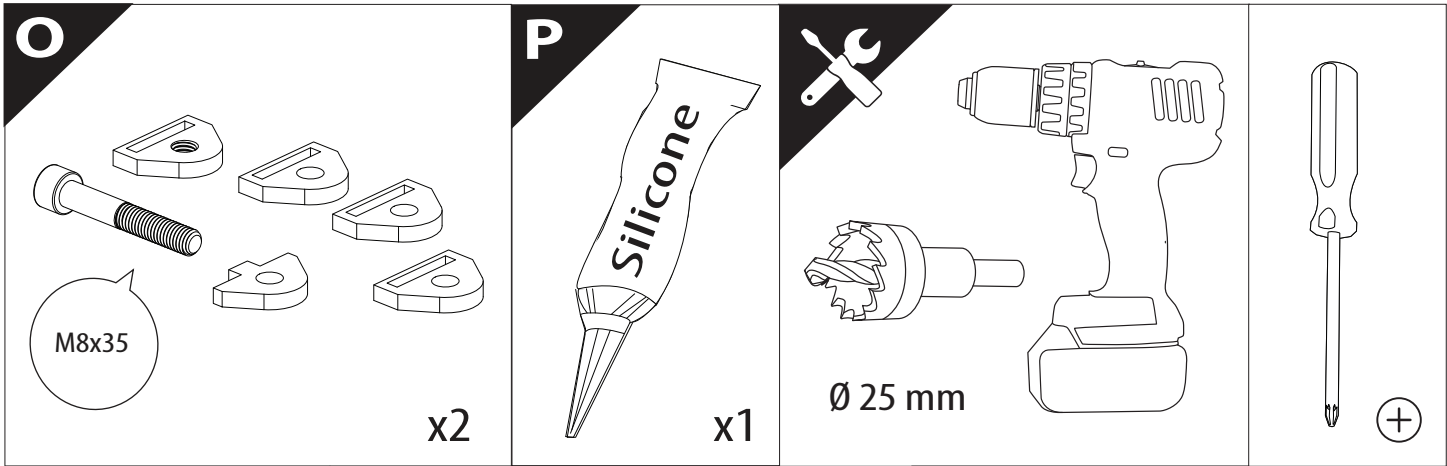
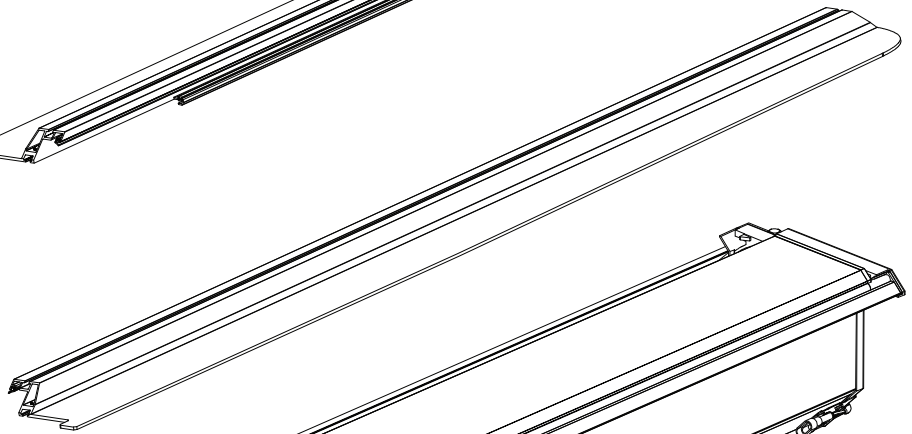
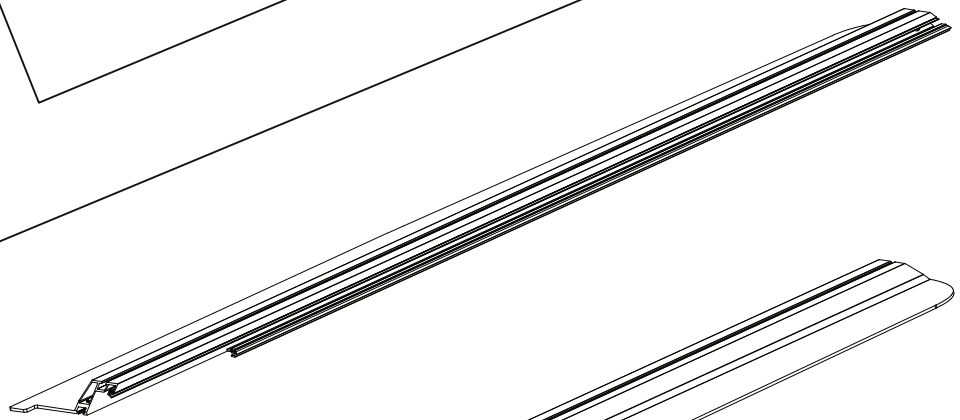
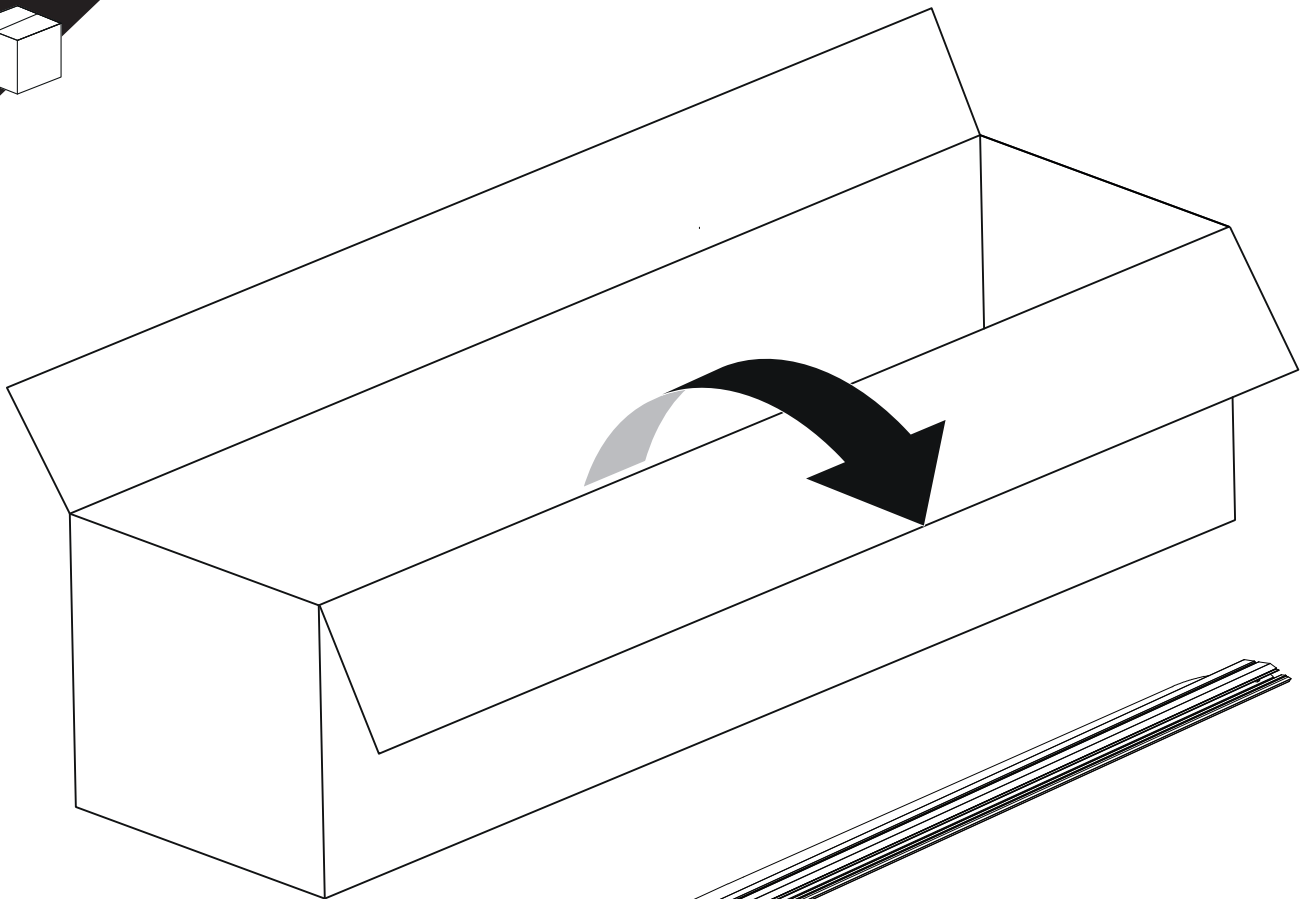


Installation Manual

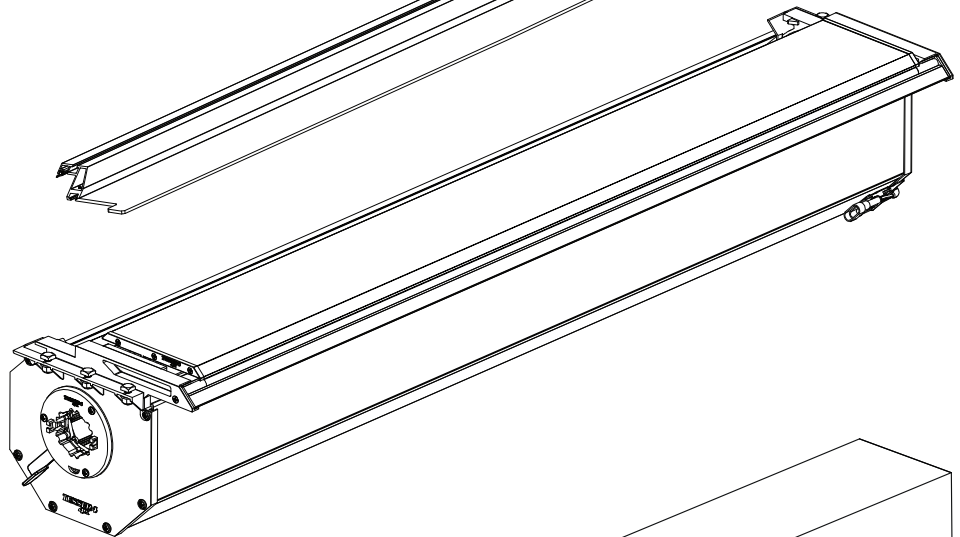
PART NUMBER(S)	Model Year
TESS 14431 ROLL	FOTON TUNLAND V9 WITH OEM ROLLBAR 2024+
Cab(s)	Installation Time / Weight
Double Cab	40-60 minutes / 53-57 kg





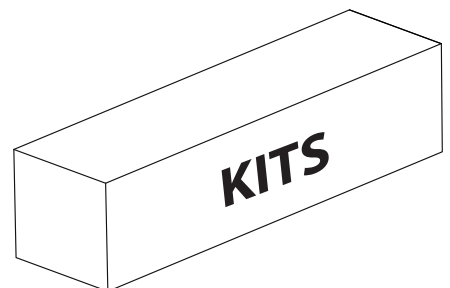


B

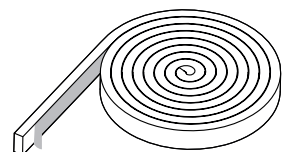


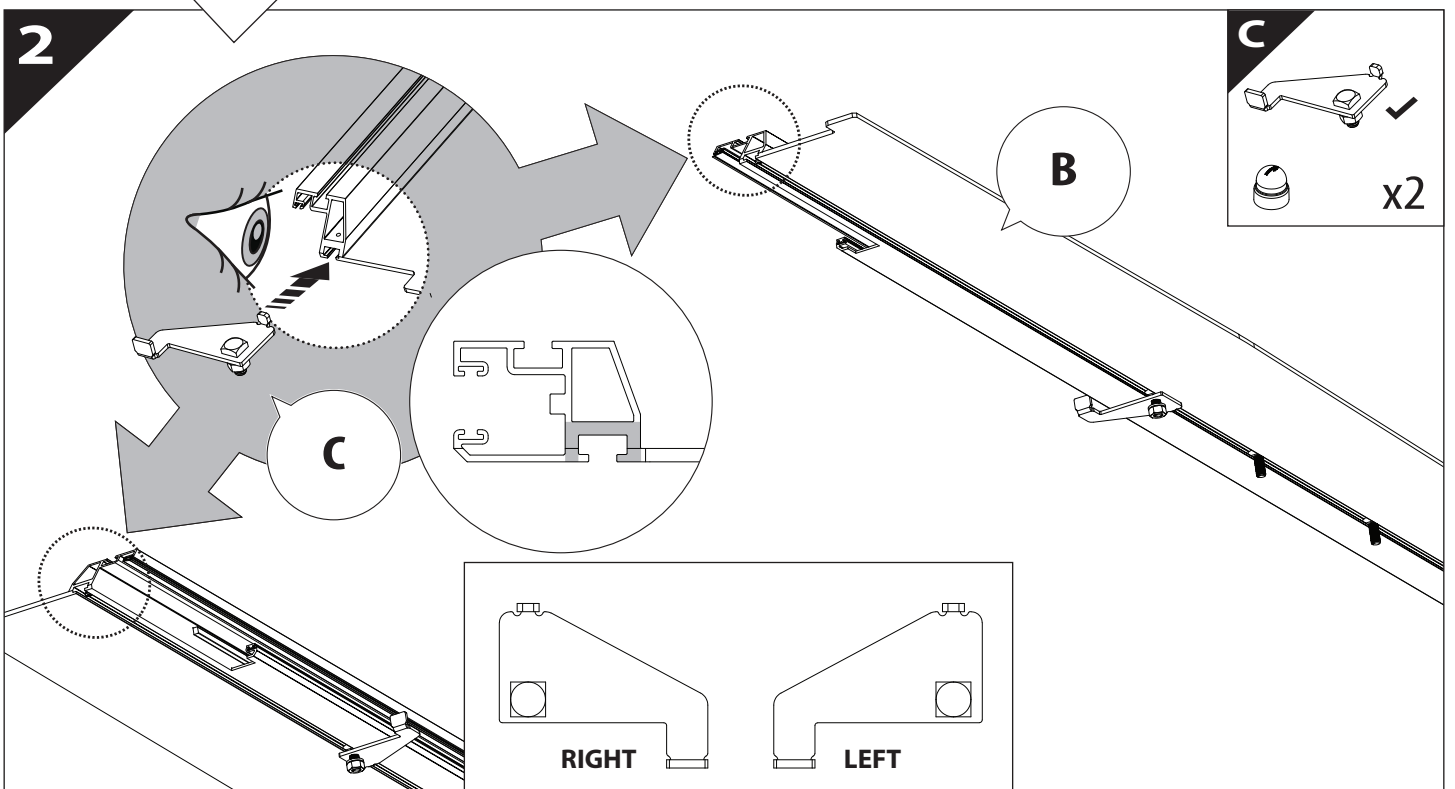
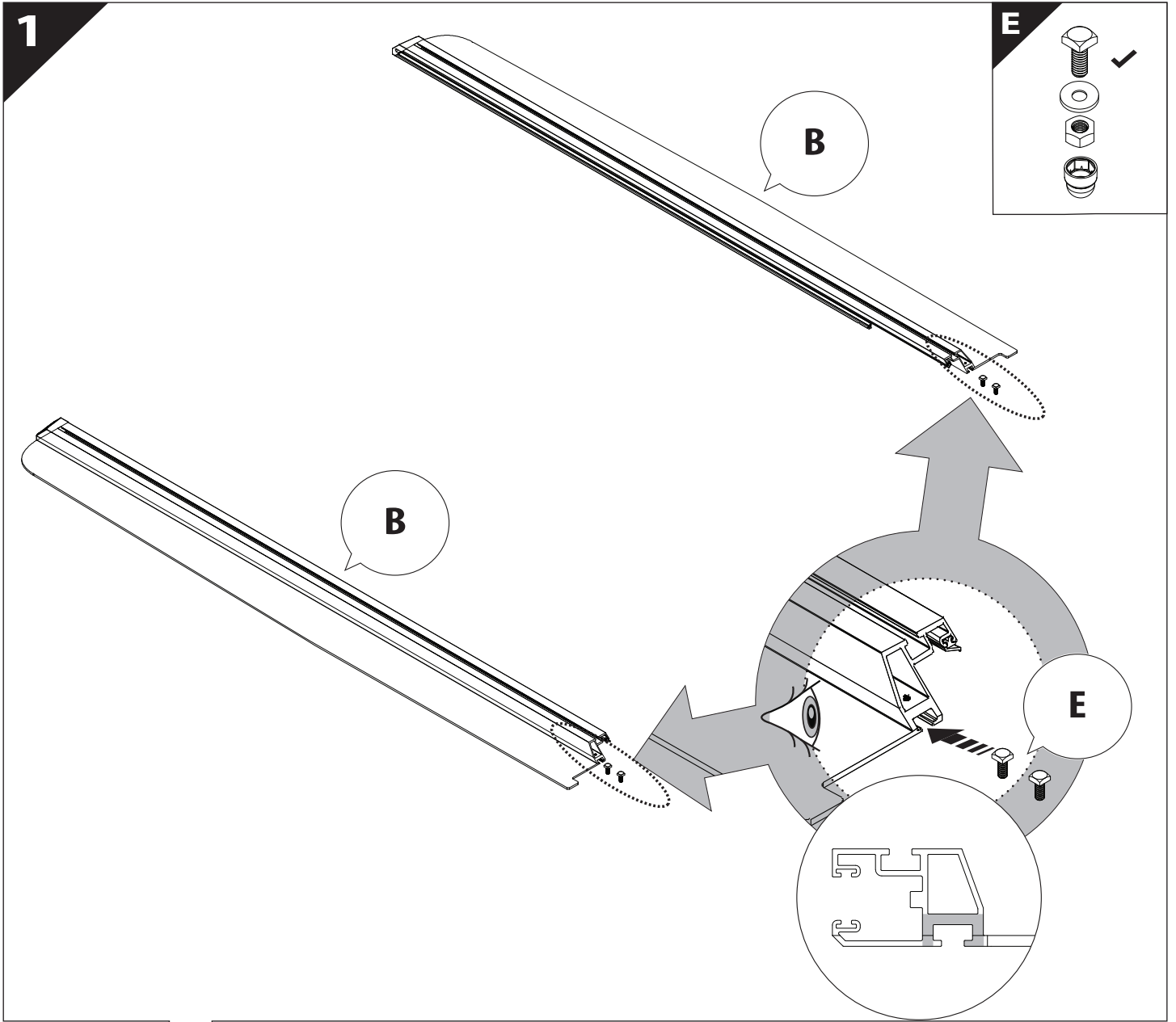
A

KITS

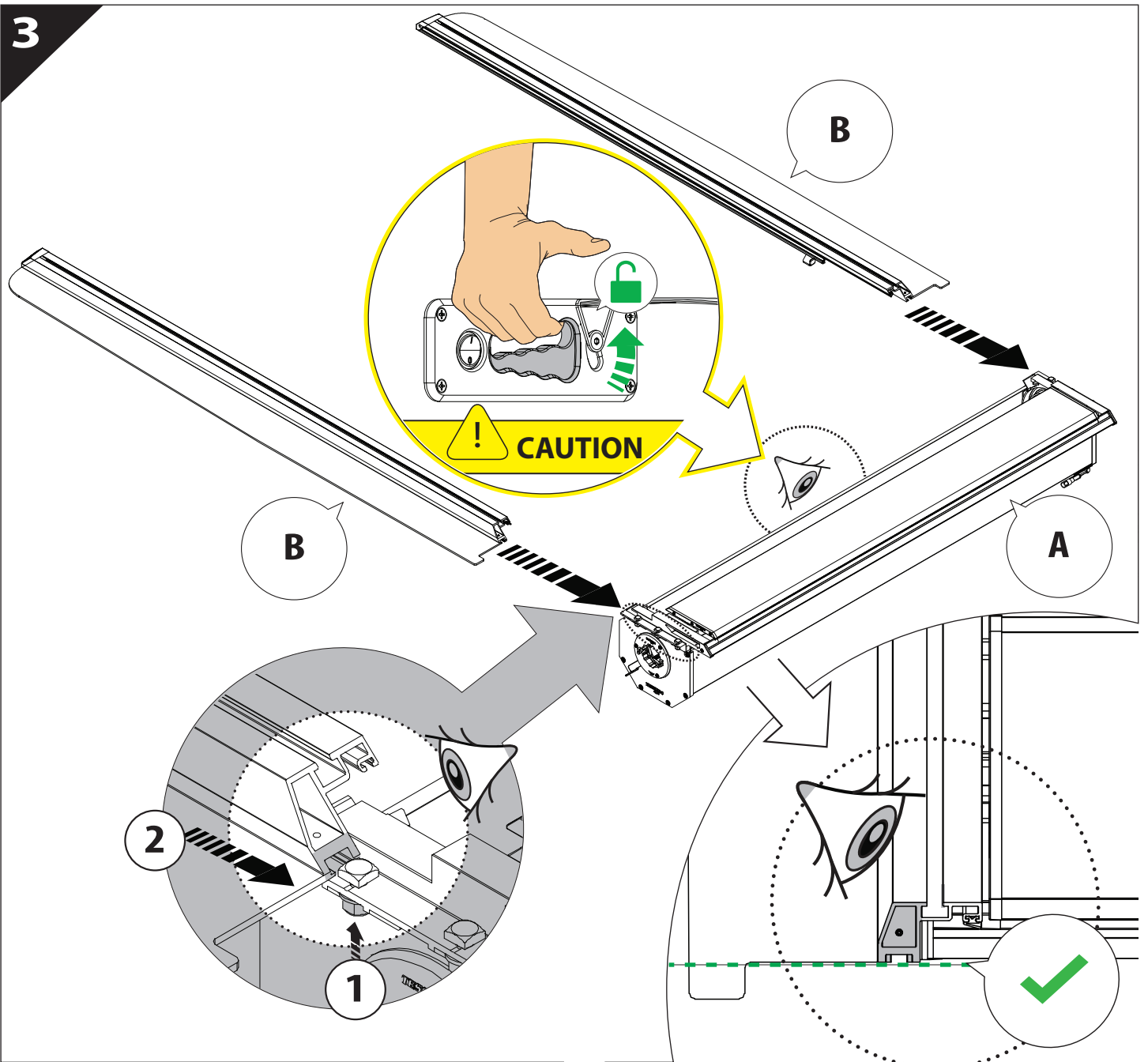


L

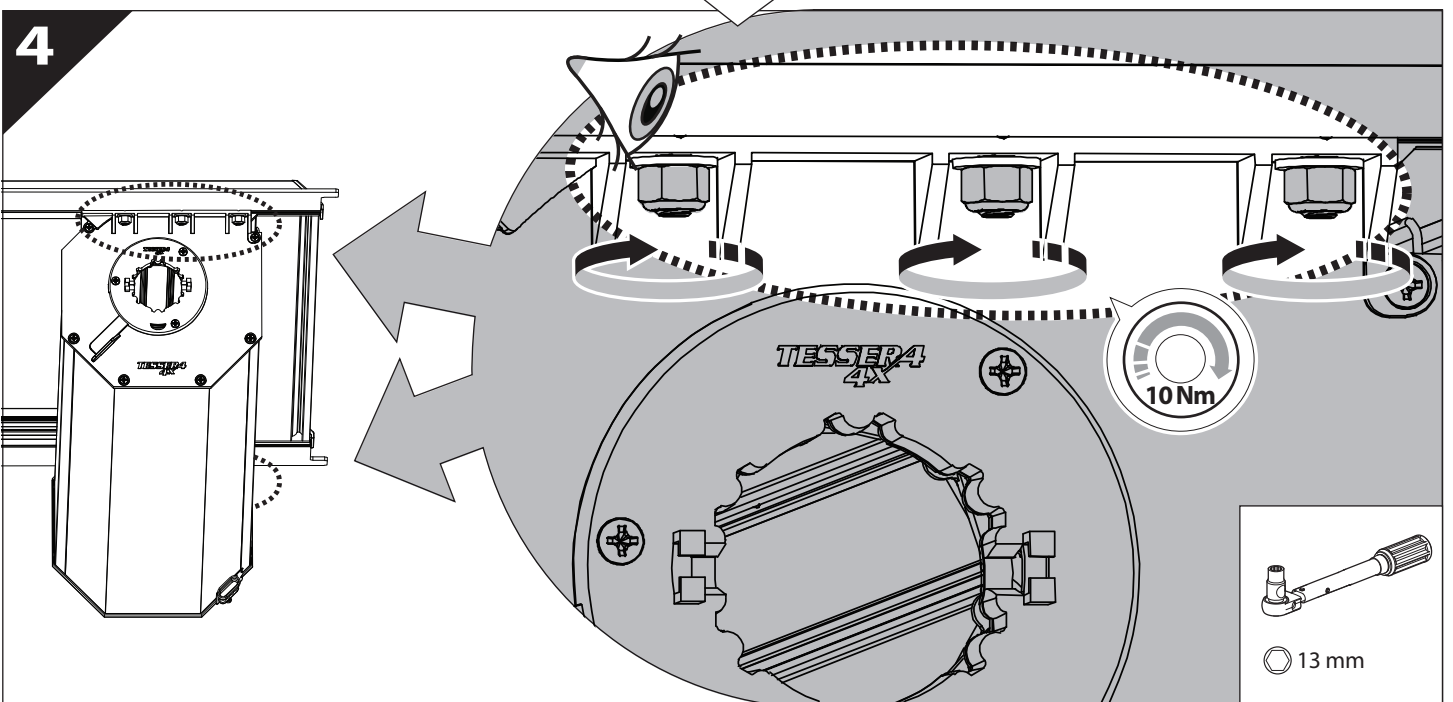


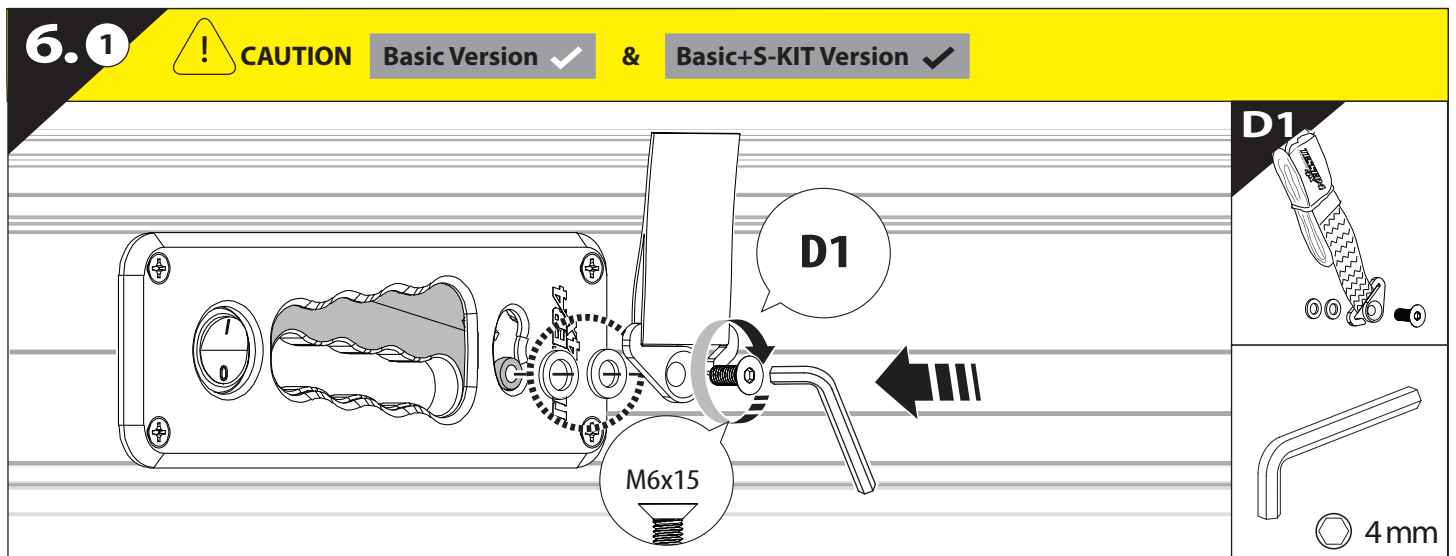
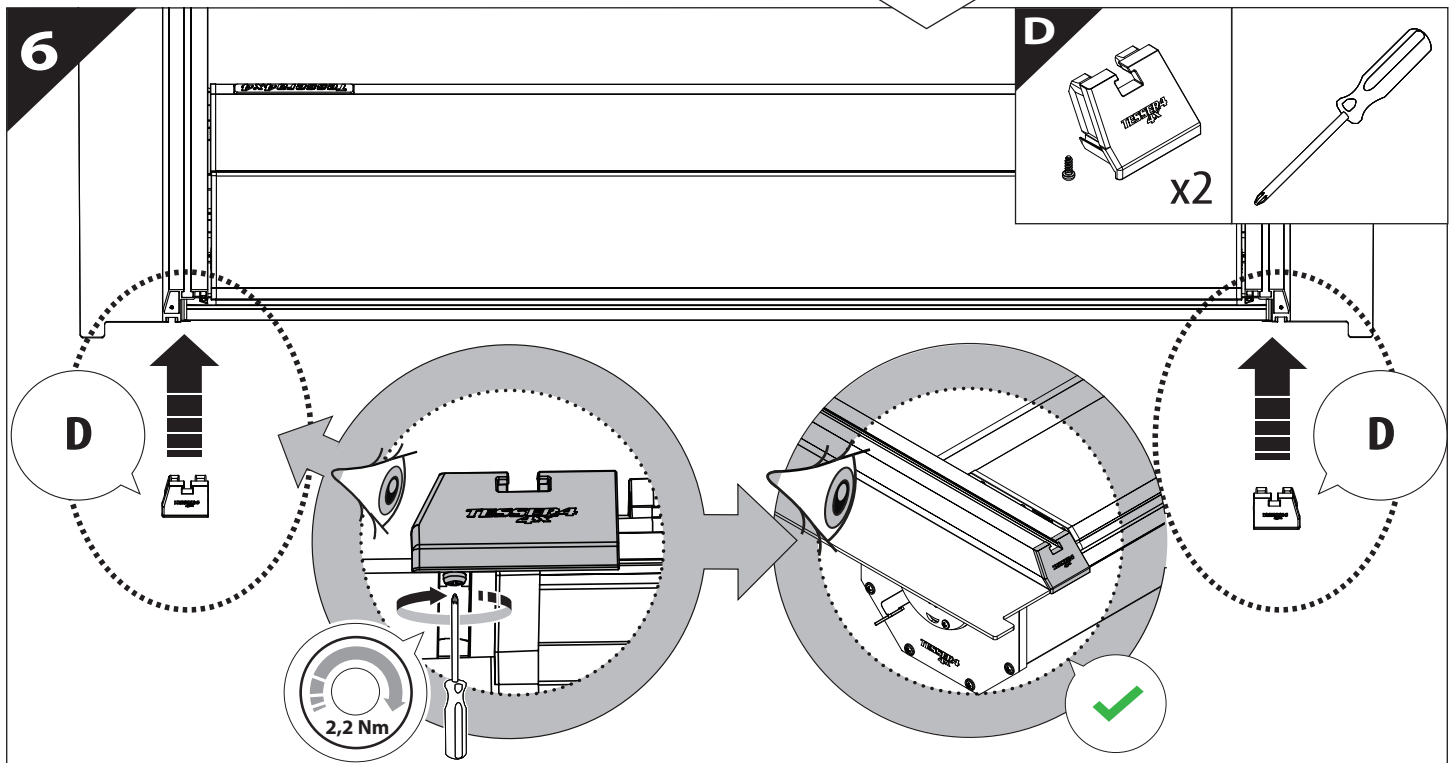
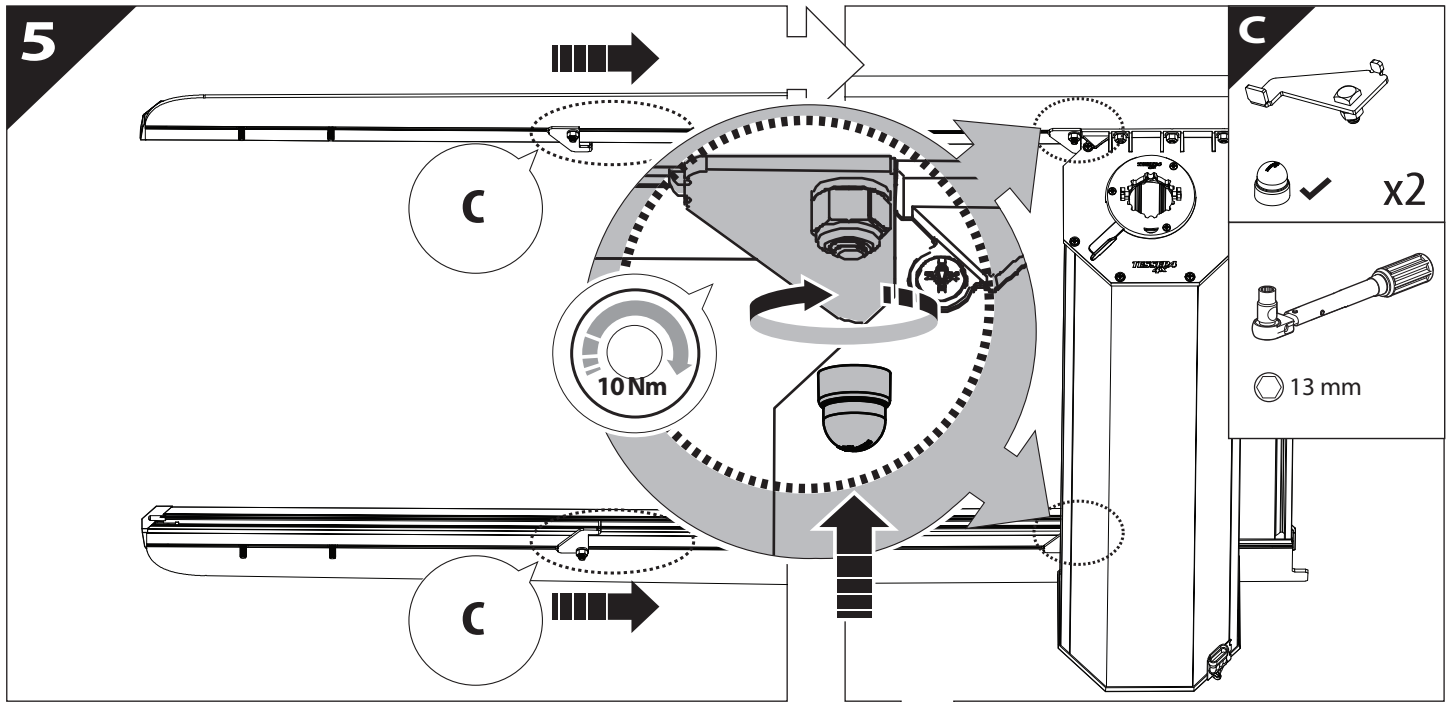


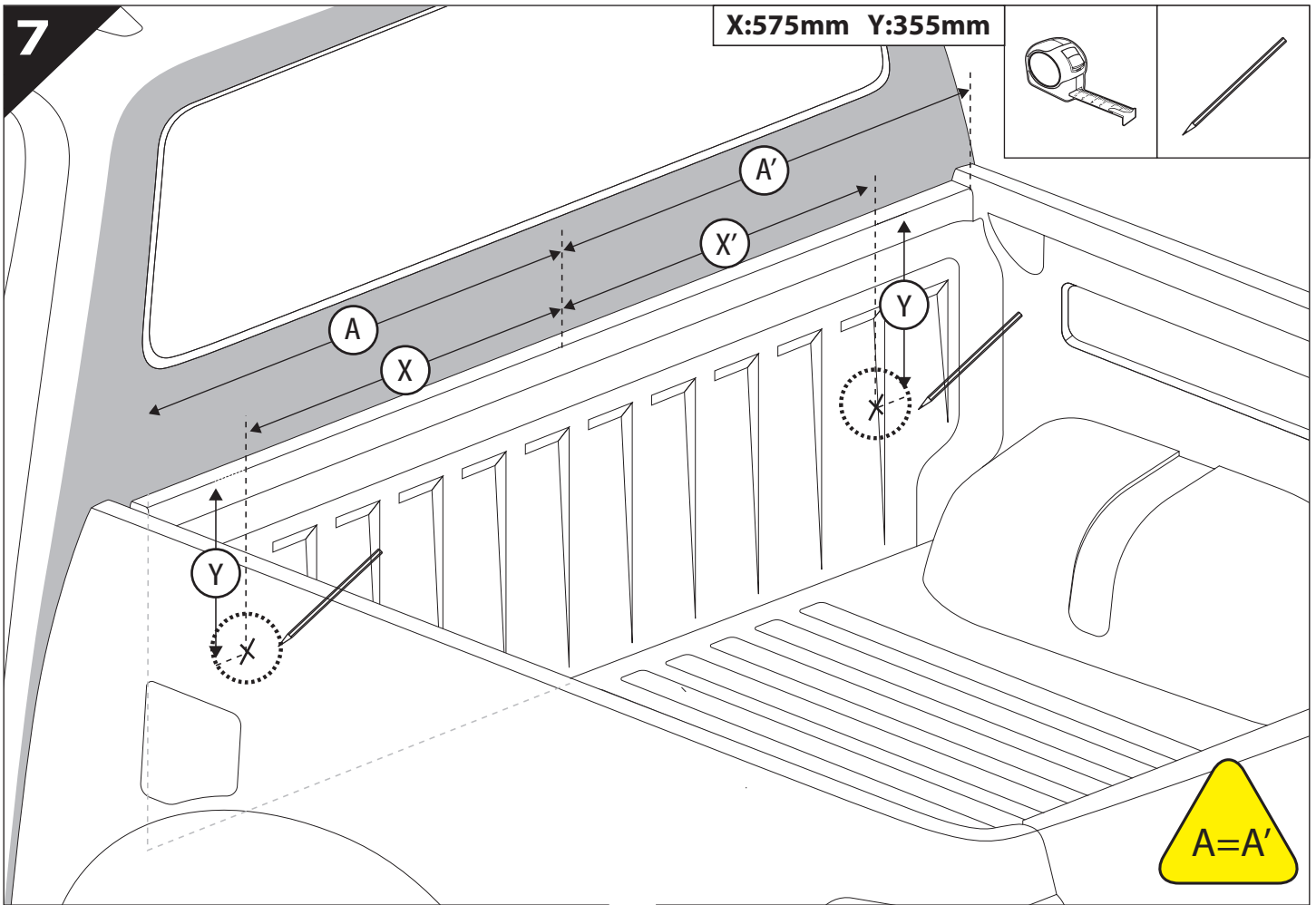
3



4







9

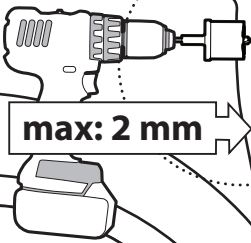


Ø 25 mm




Rust Protection

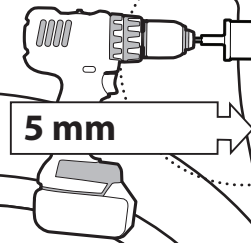
CAUTION






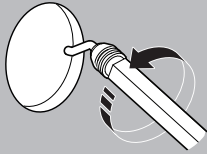

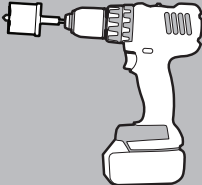

max: 2 mm



CAUTION

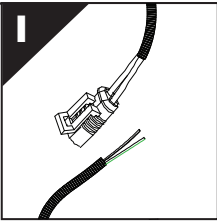


5 mm

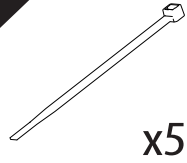


12

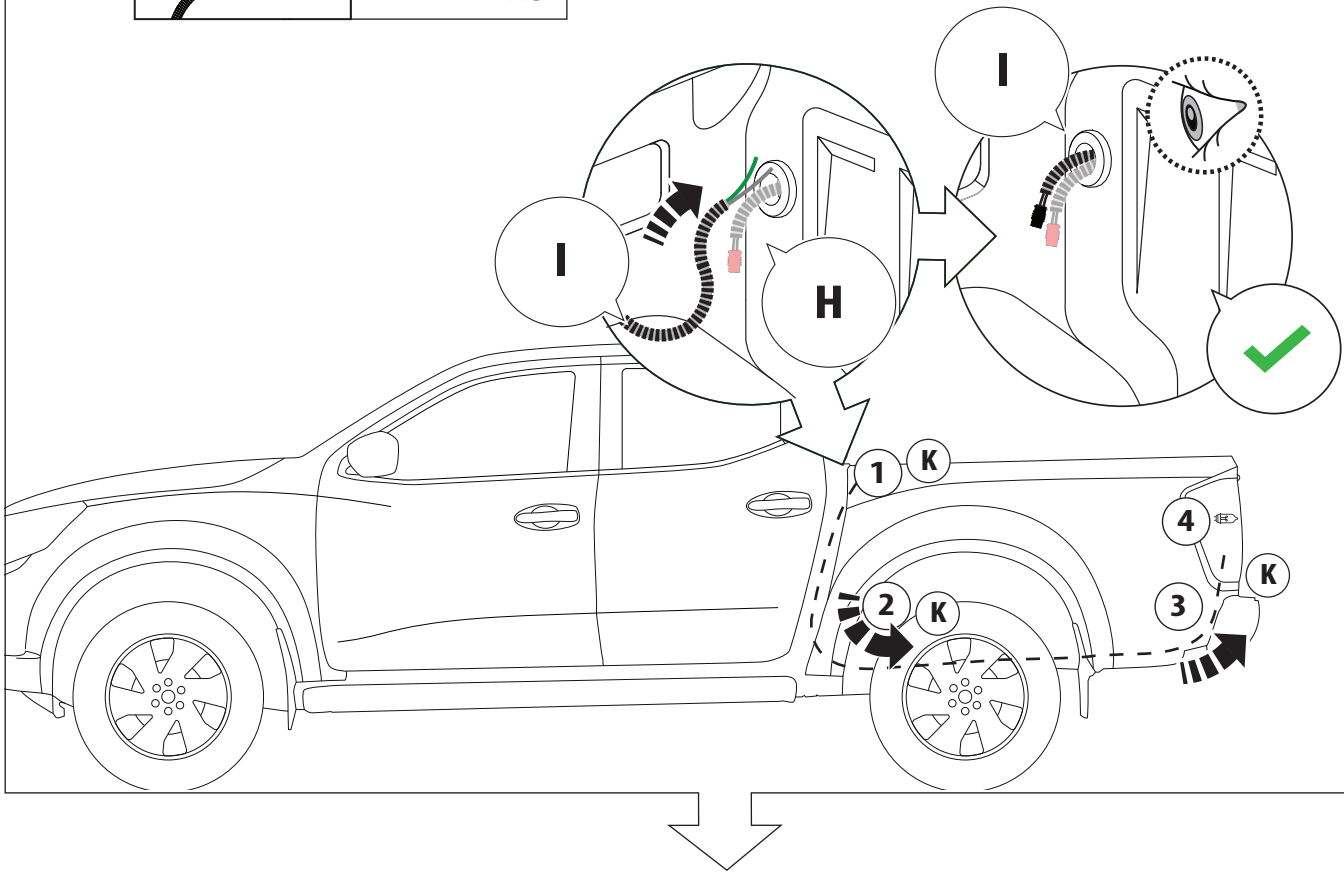
I



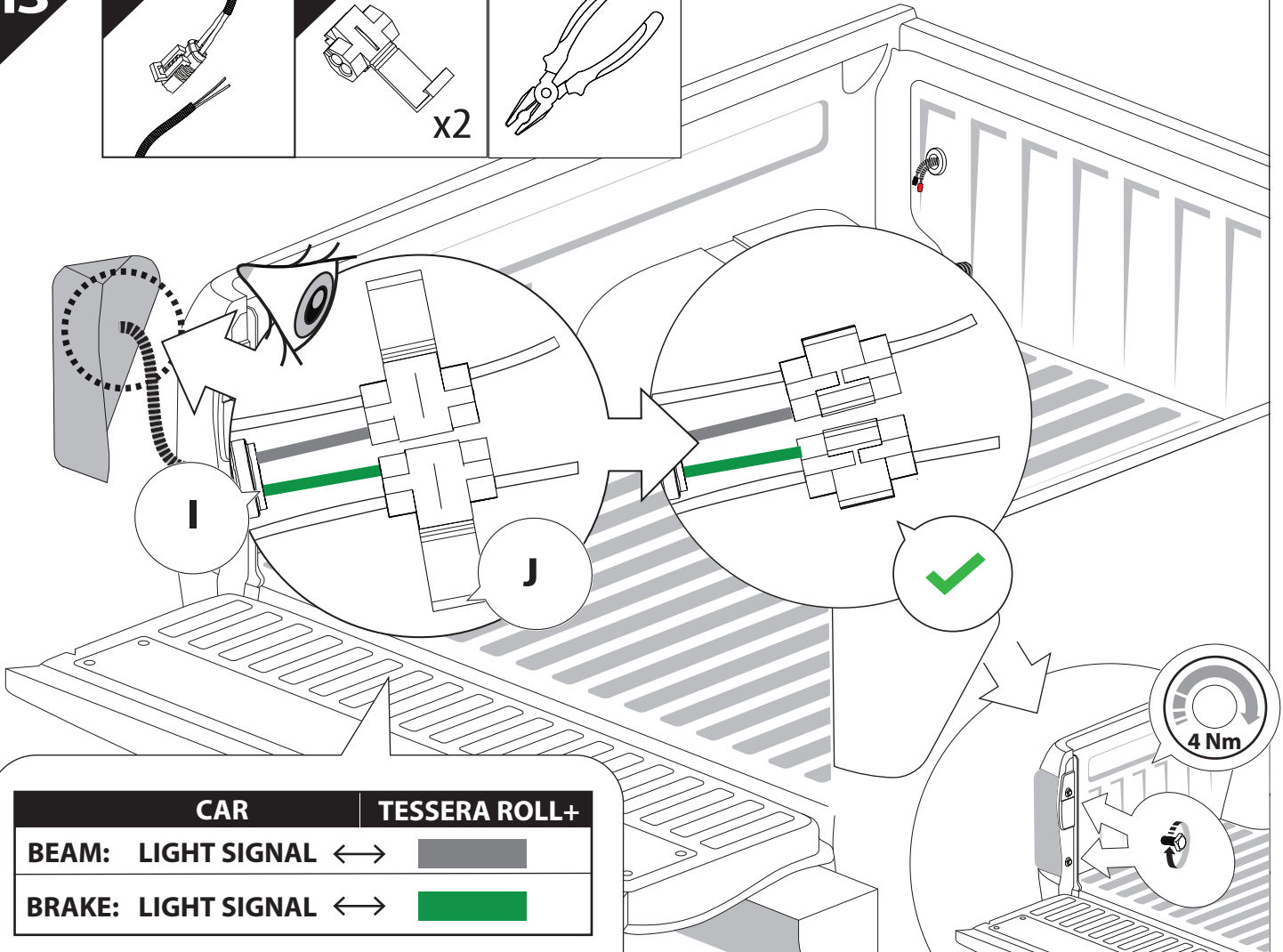
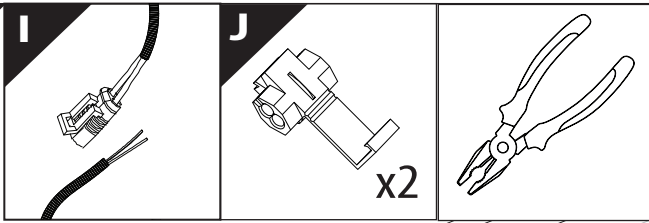
K



x5



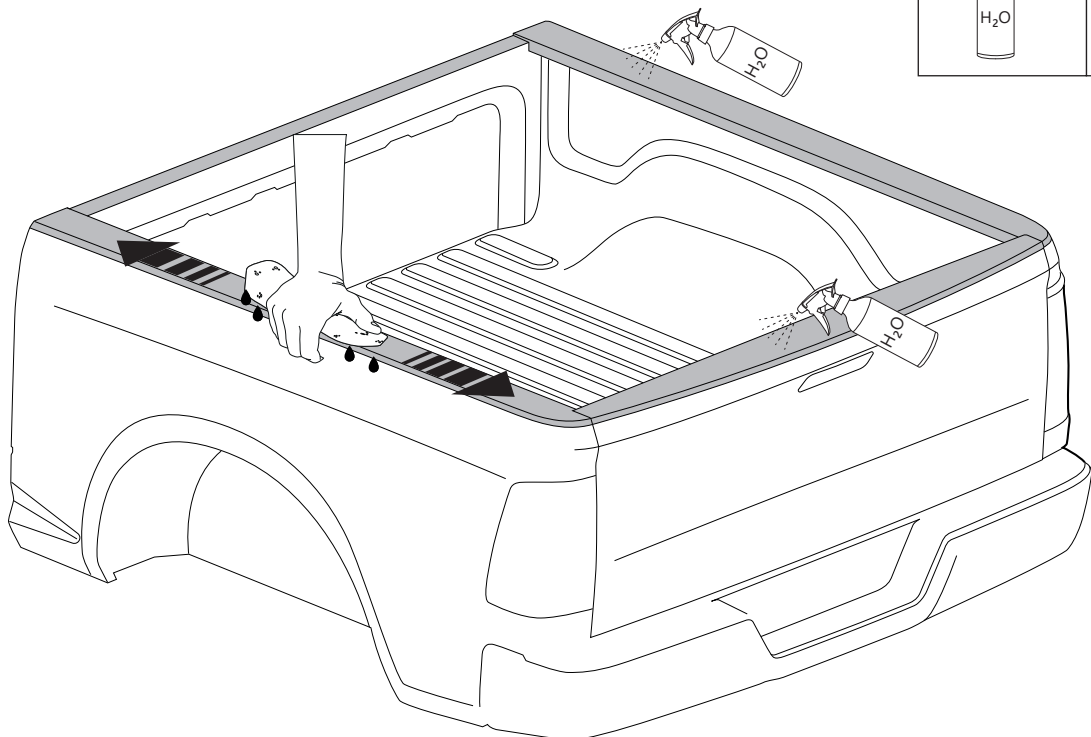
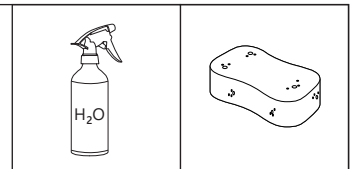
13



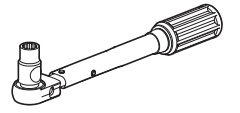
	CAR	TESSERA ROLL+
BEAM:	LIGHT SIGNAL ↔	
BRAKE:	LIGHT SIGNAL ↔	

CAUTION: CONSULT A CERTIFIED AUTO MECHANIC OR AUTOMOTIVE ELECTRICIAN TO IDENTIFY THE CORRECT WIRING CABLES FOR BEAM AND BRAKE SIGNALS BEFORE MAKING ANY CONNECTIONS.

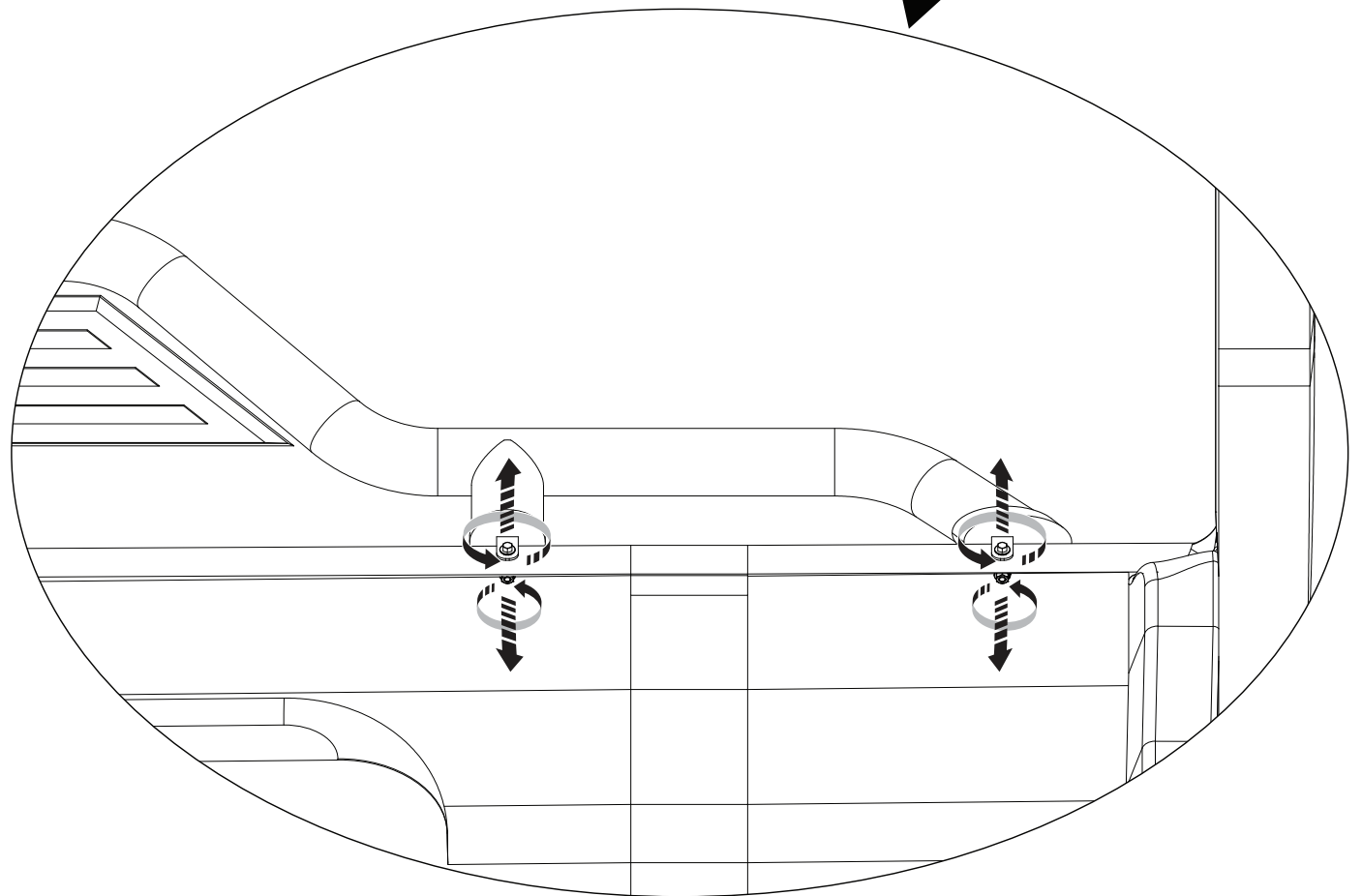
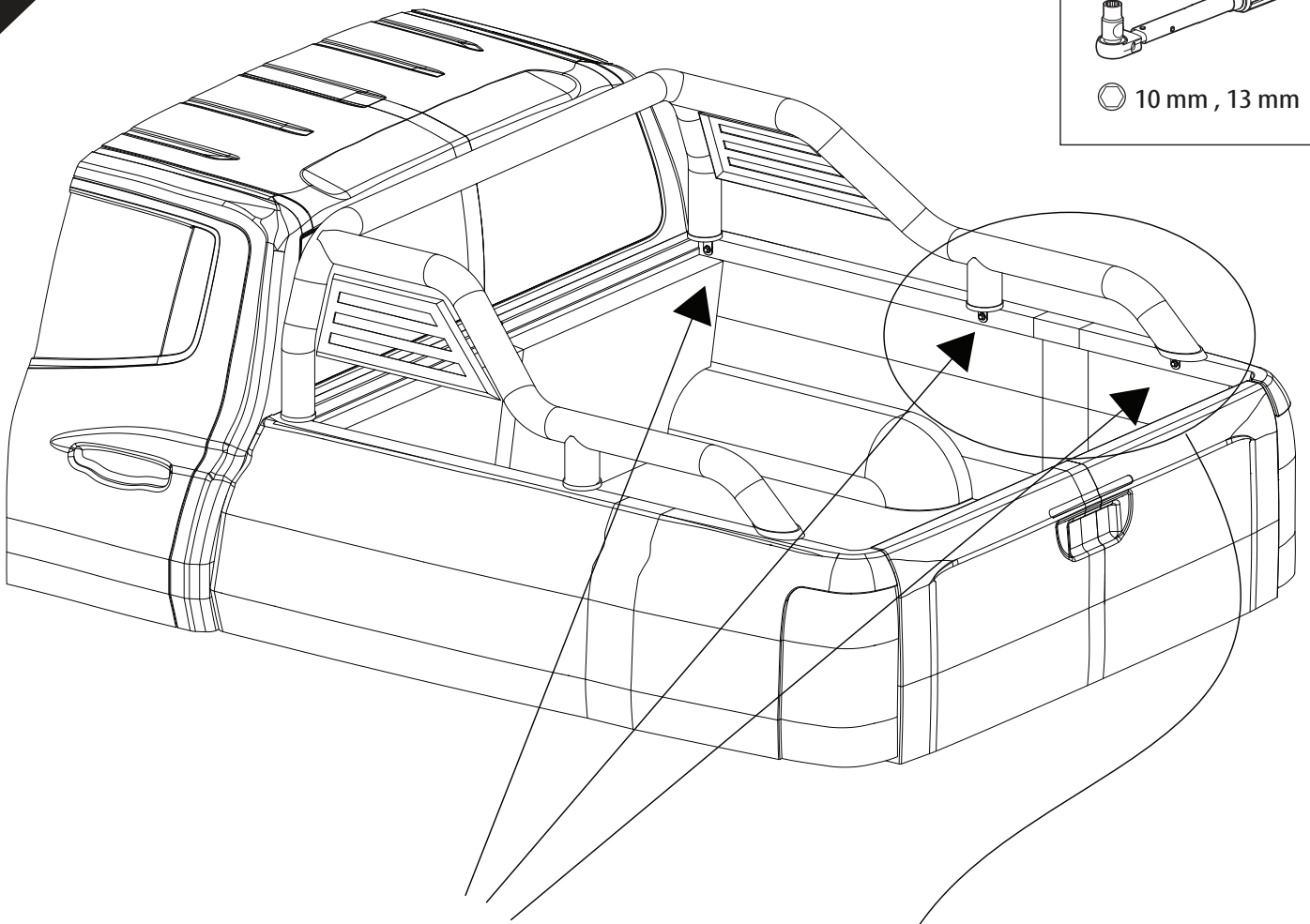
14

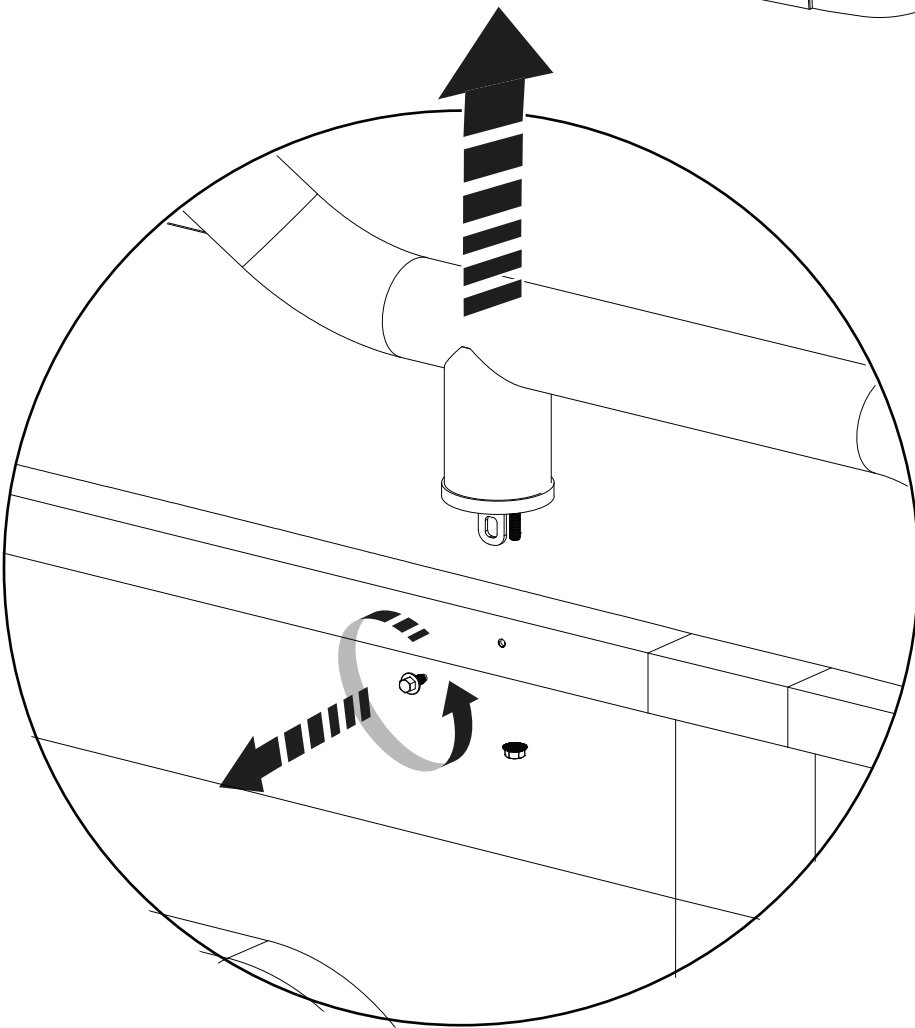
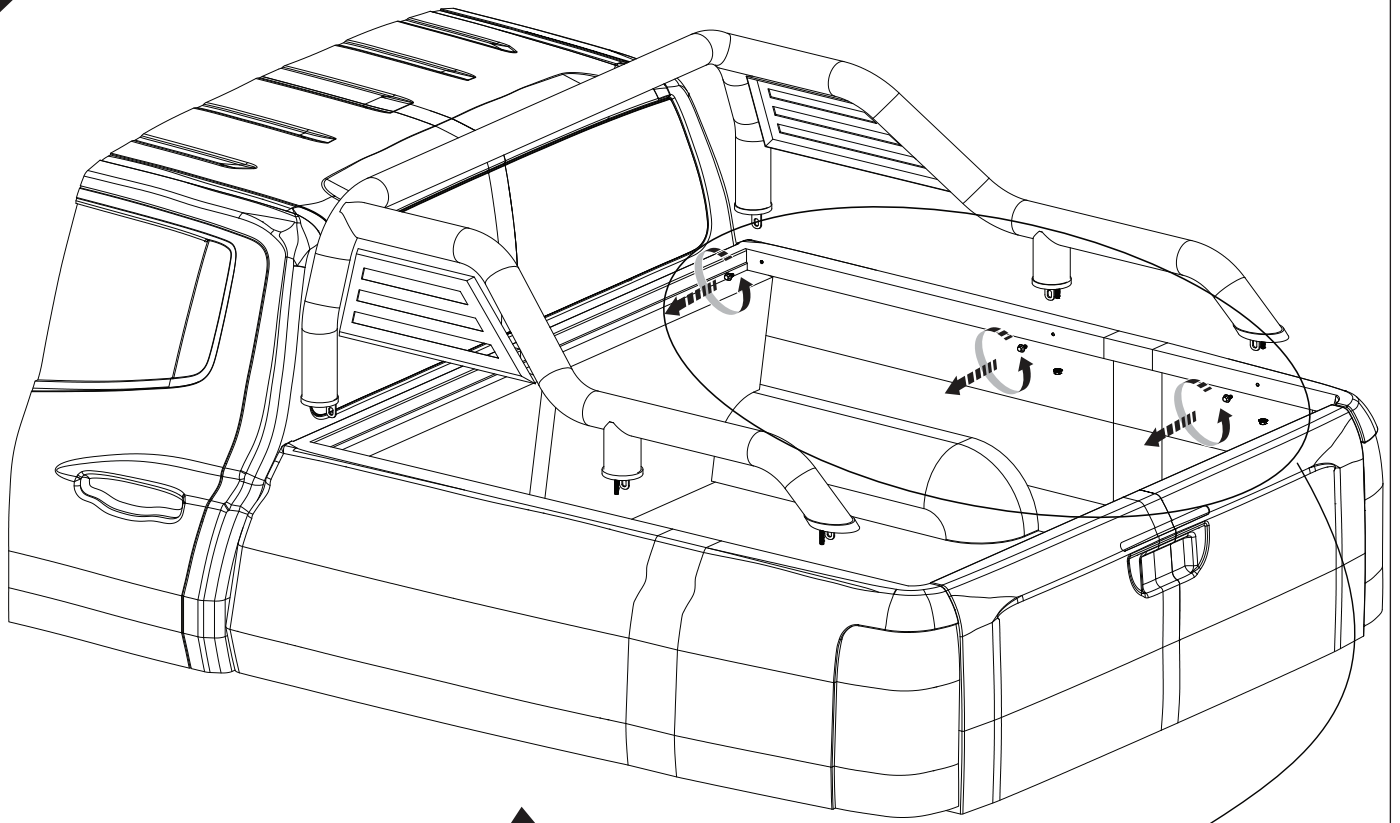


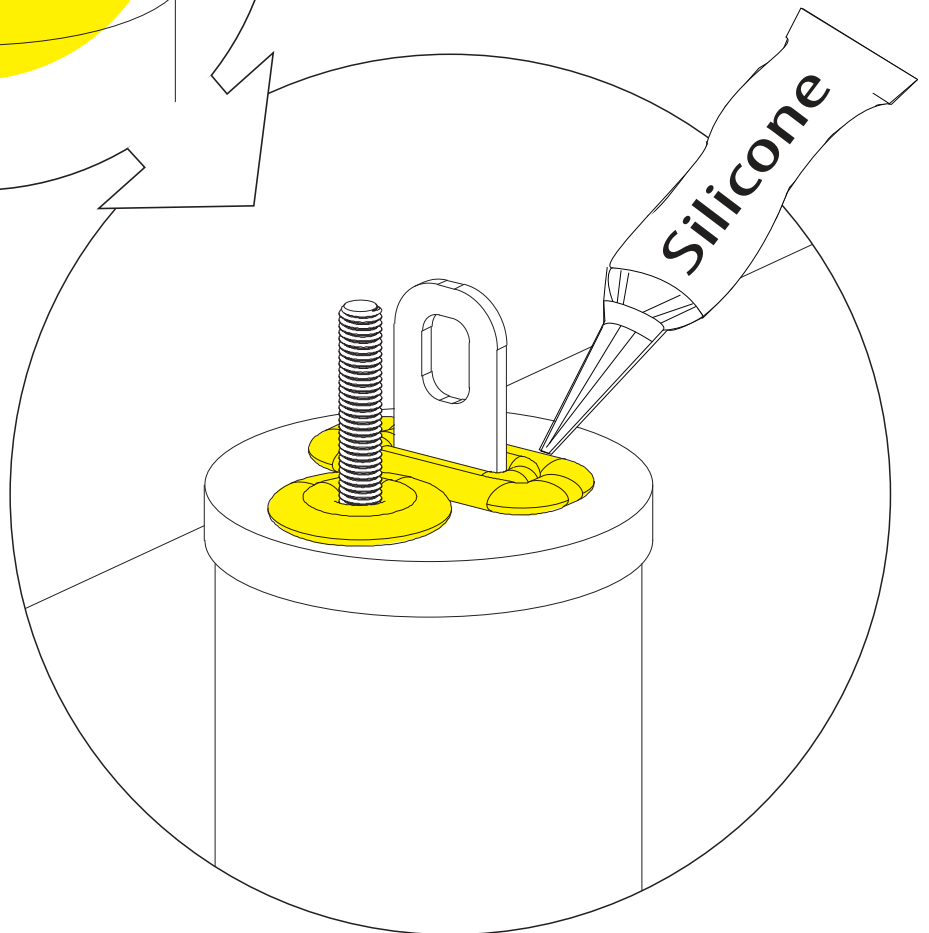
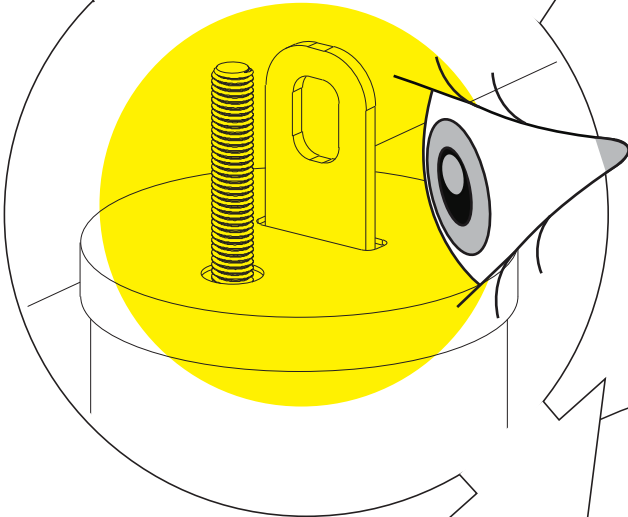
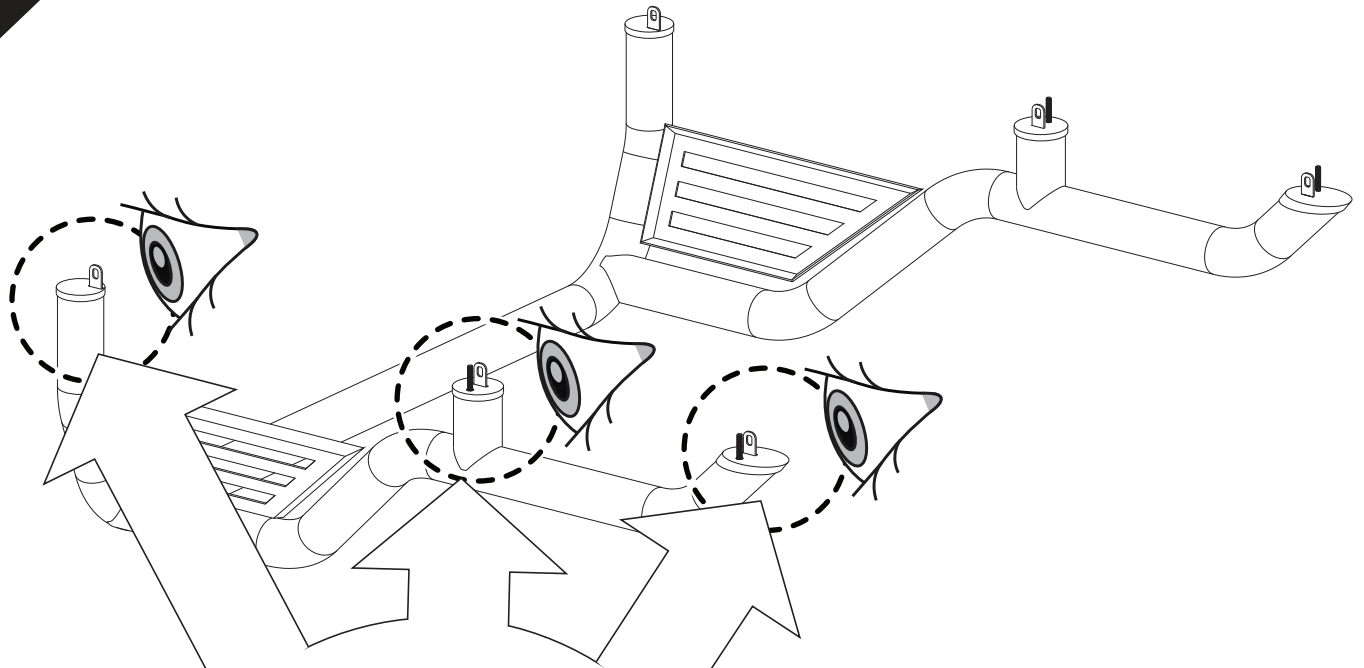
15

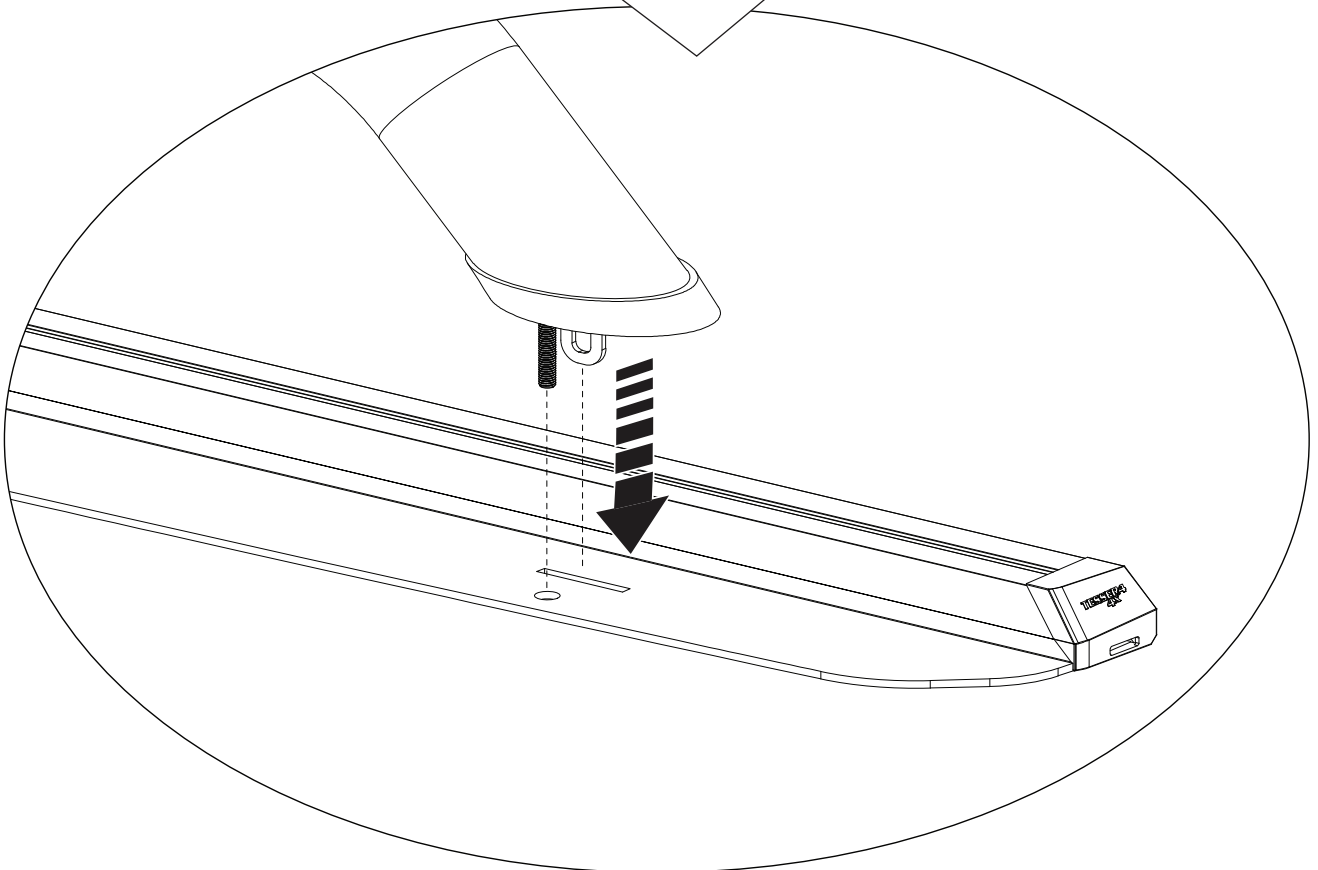
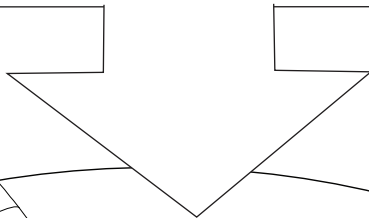
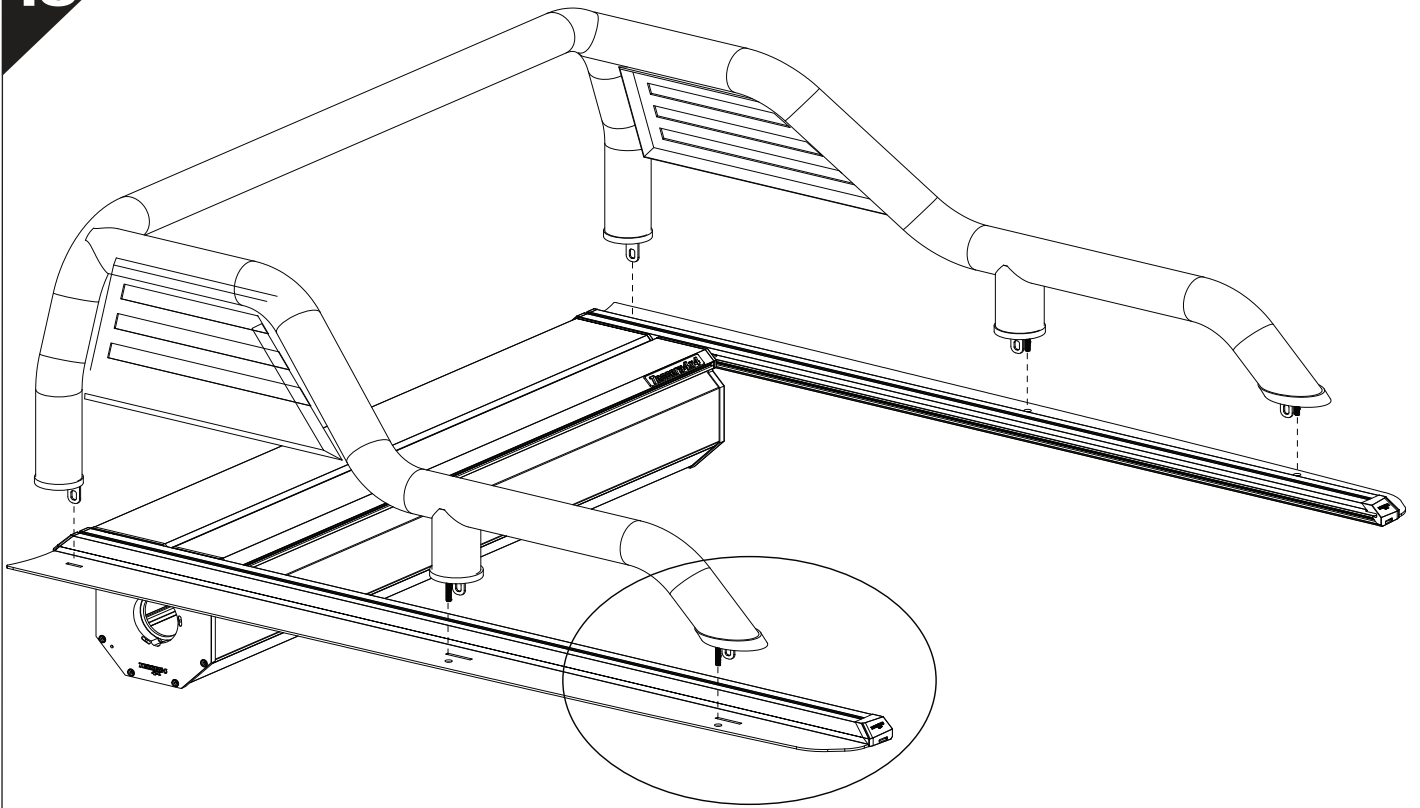


10 mm , 13 mm



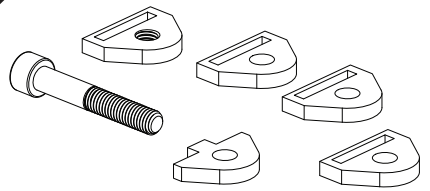




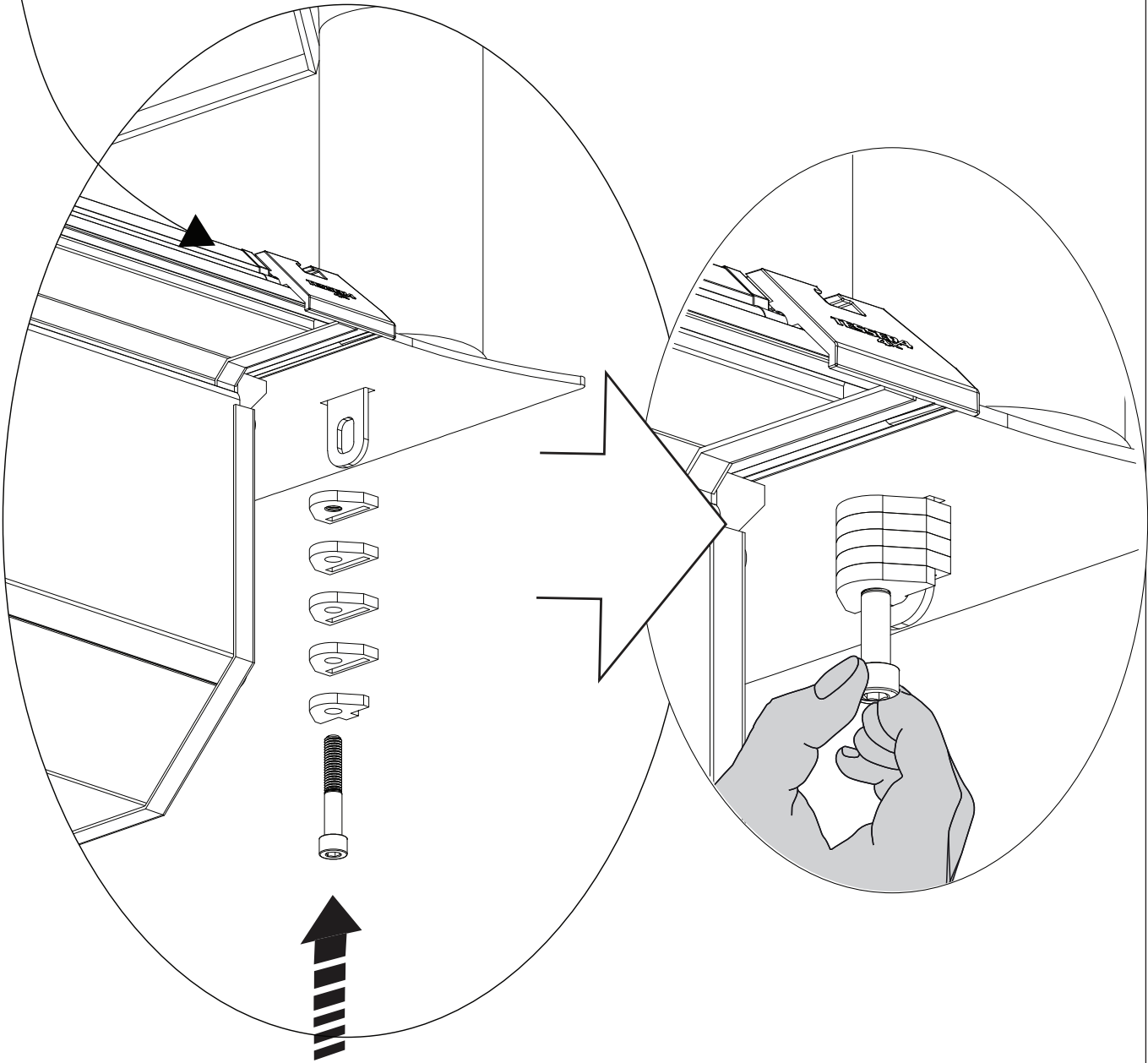
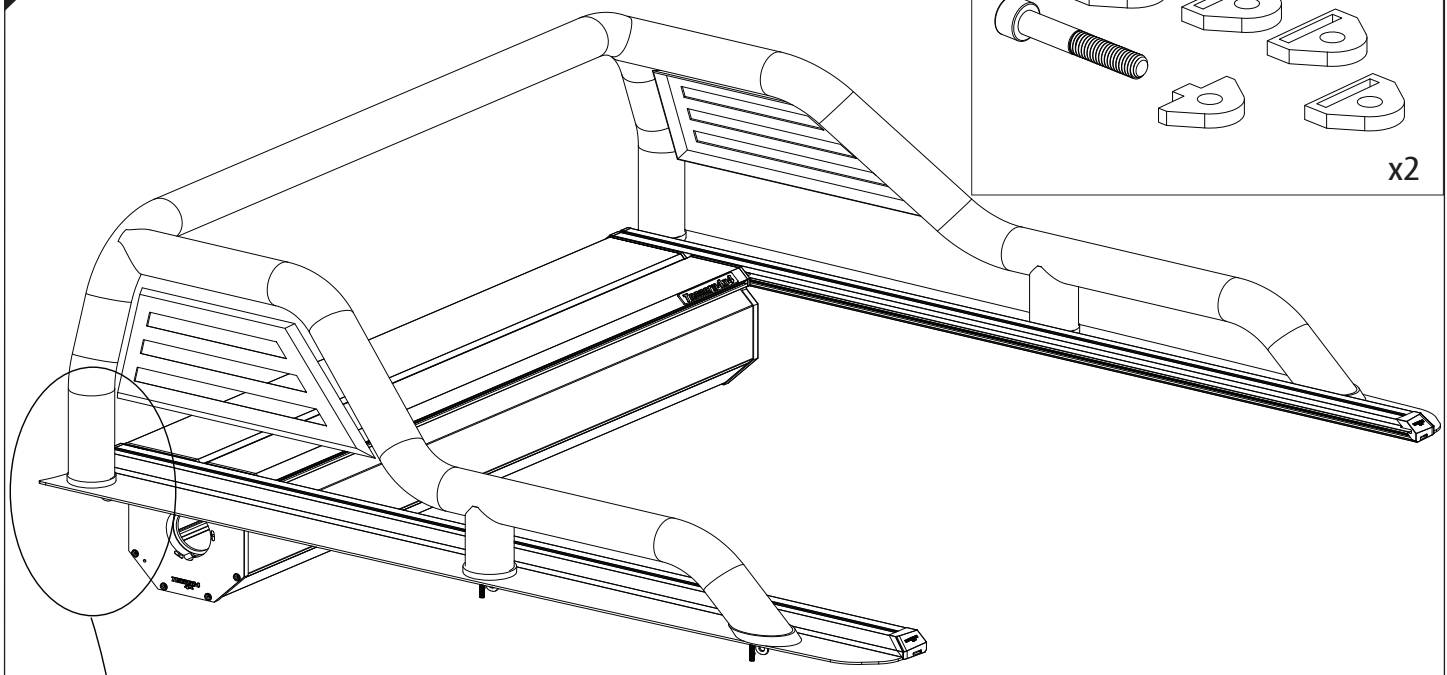


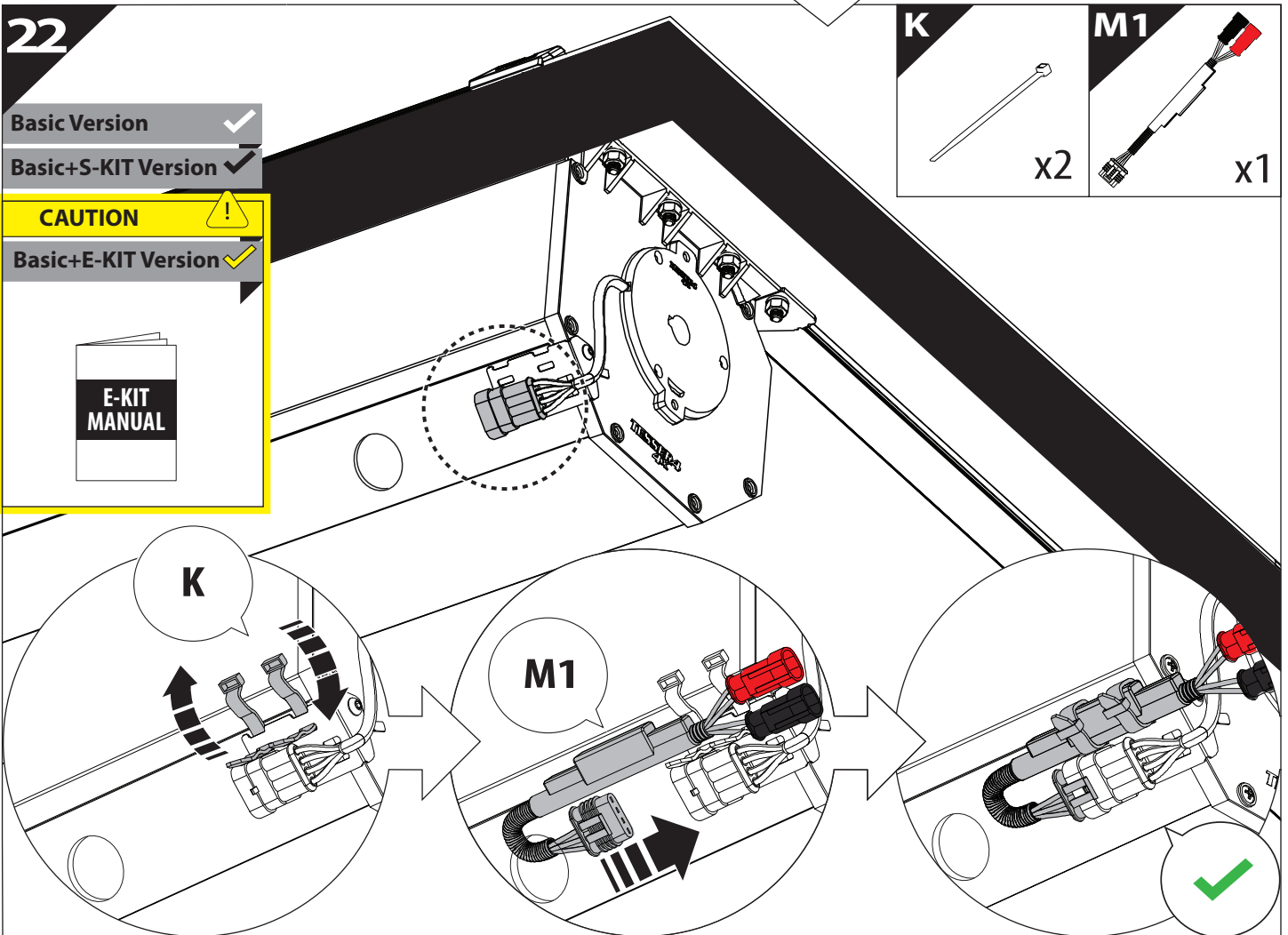
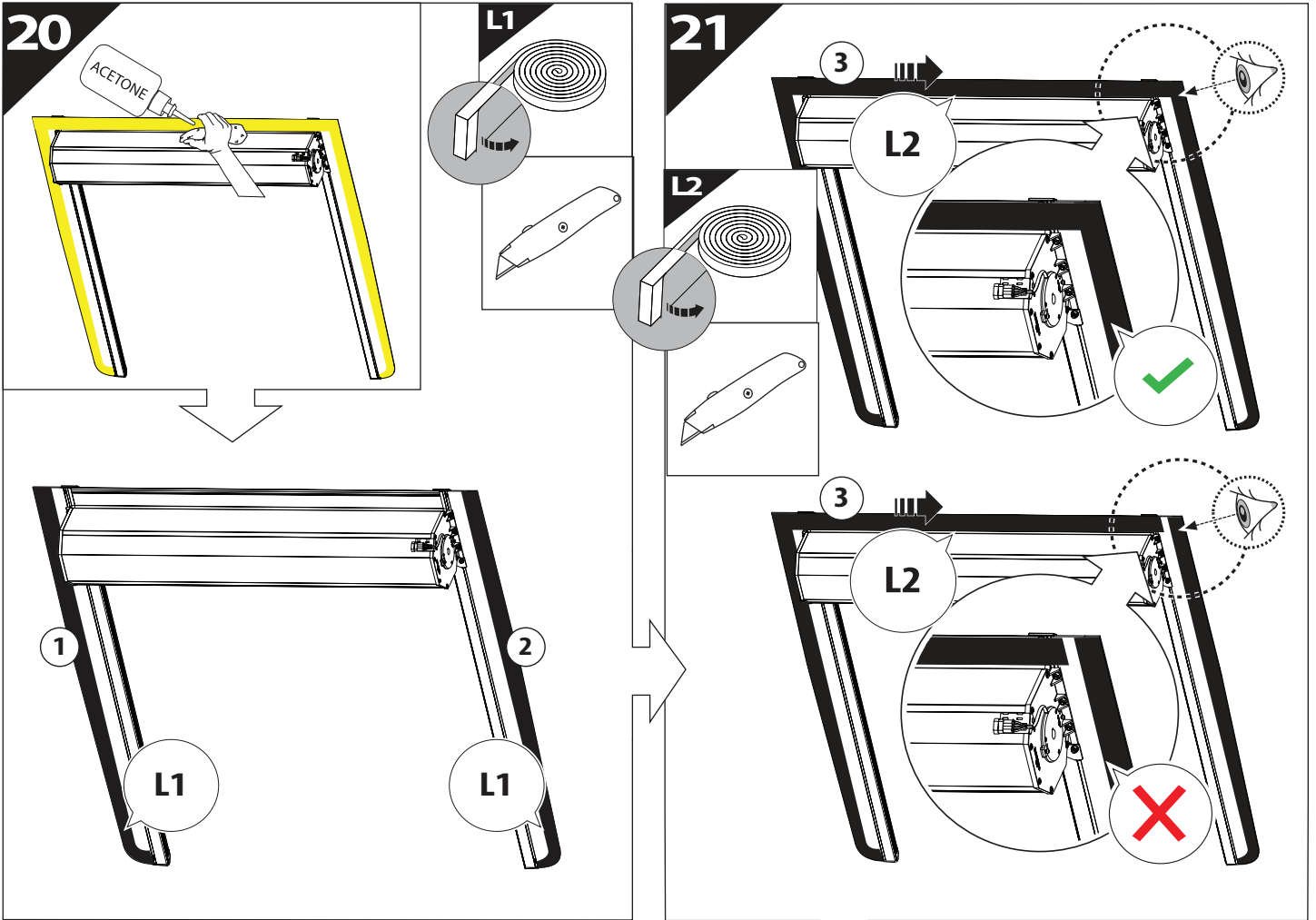
19

o

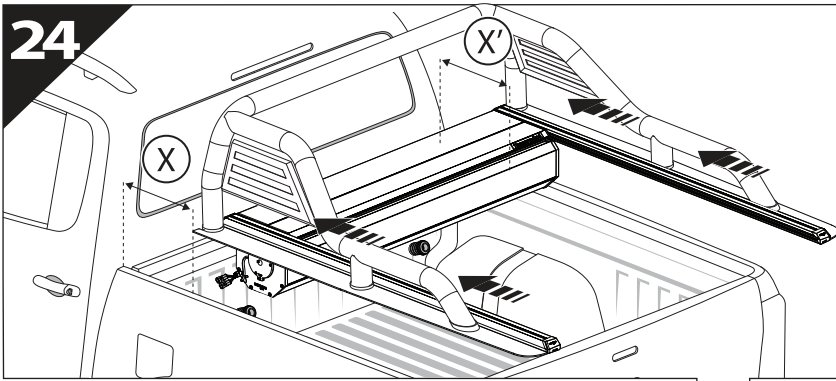


x2

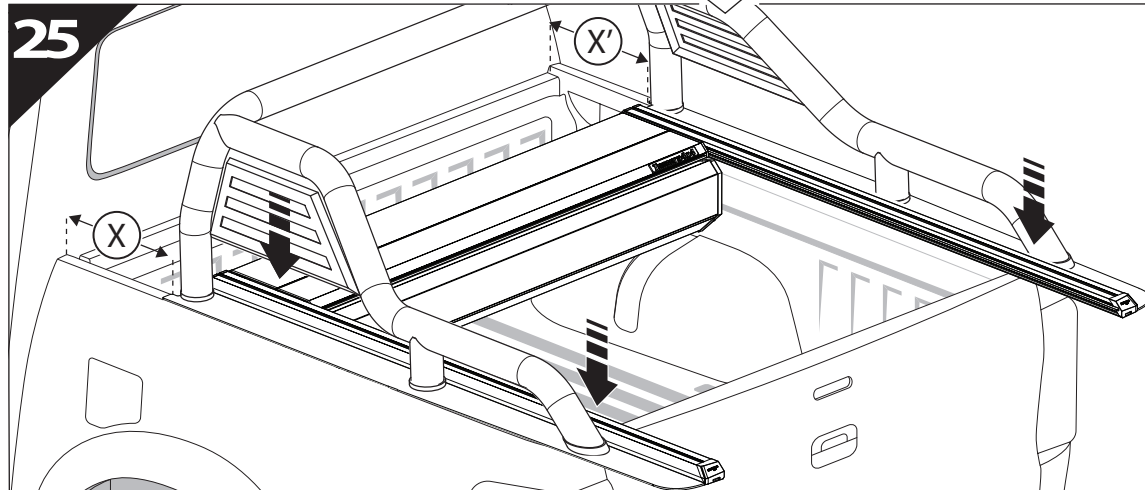




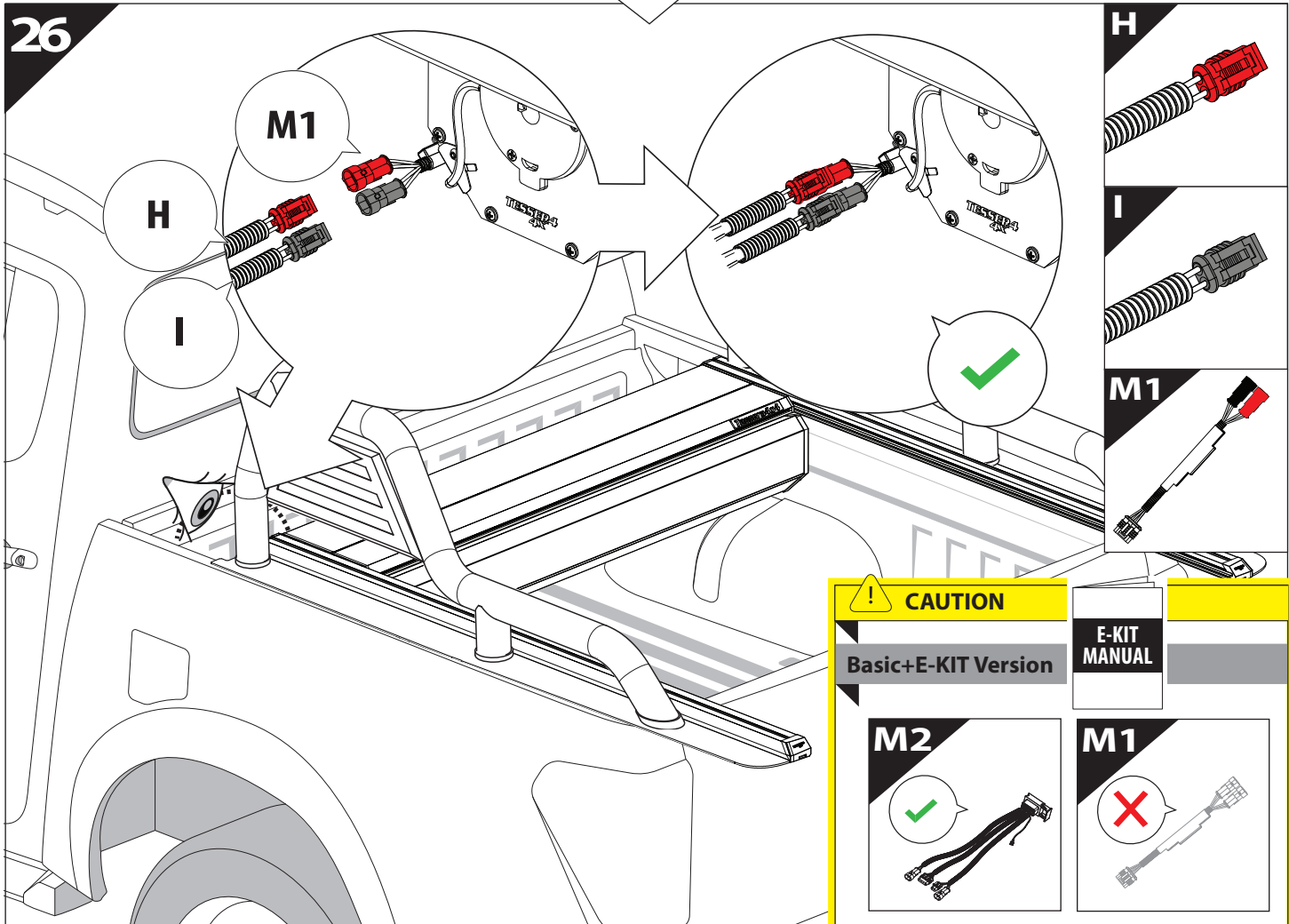
24



25

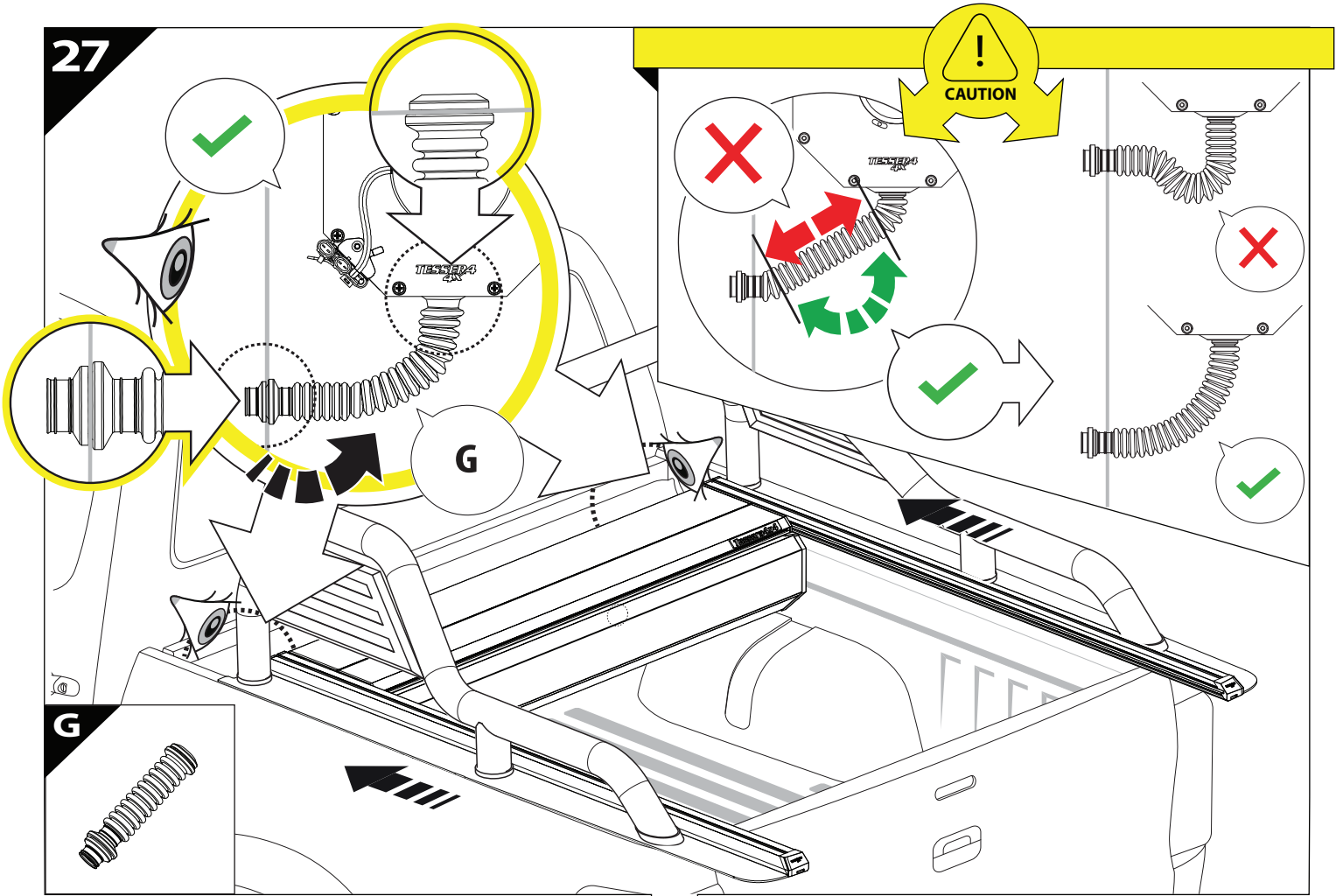


26

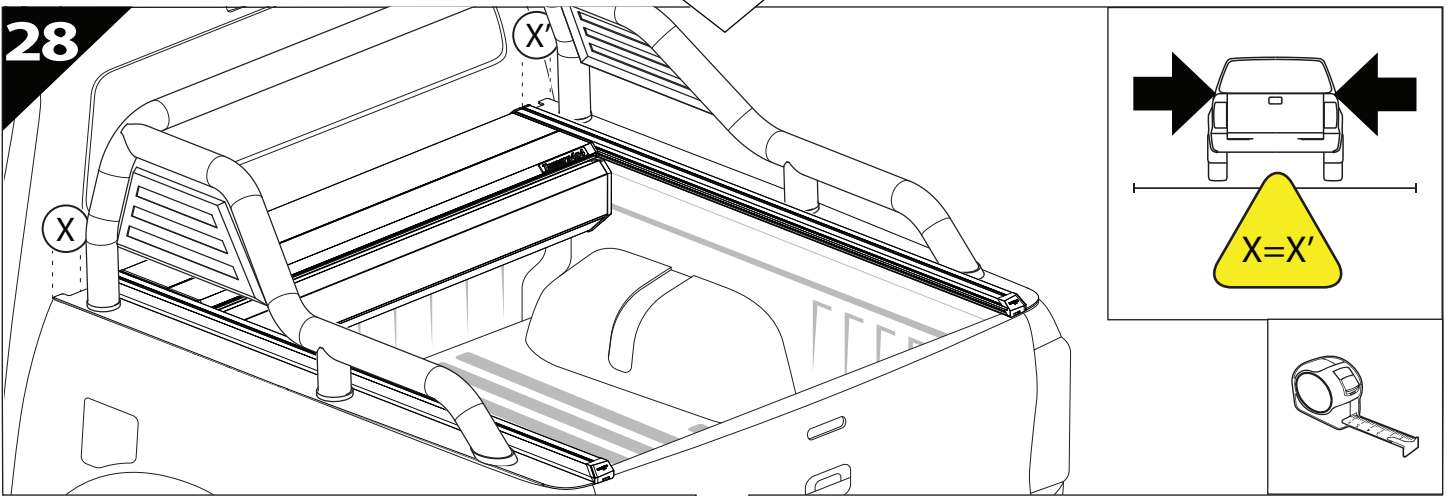


CAUTION	
Basic+E-KIT Version	
M2 	M1

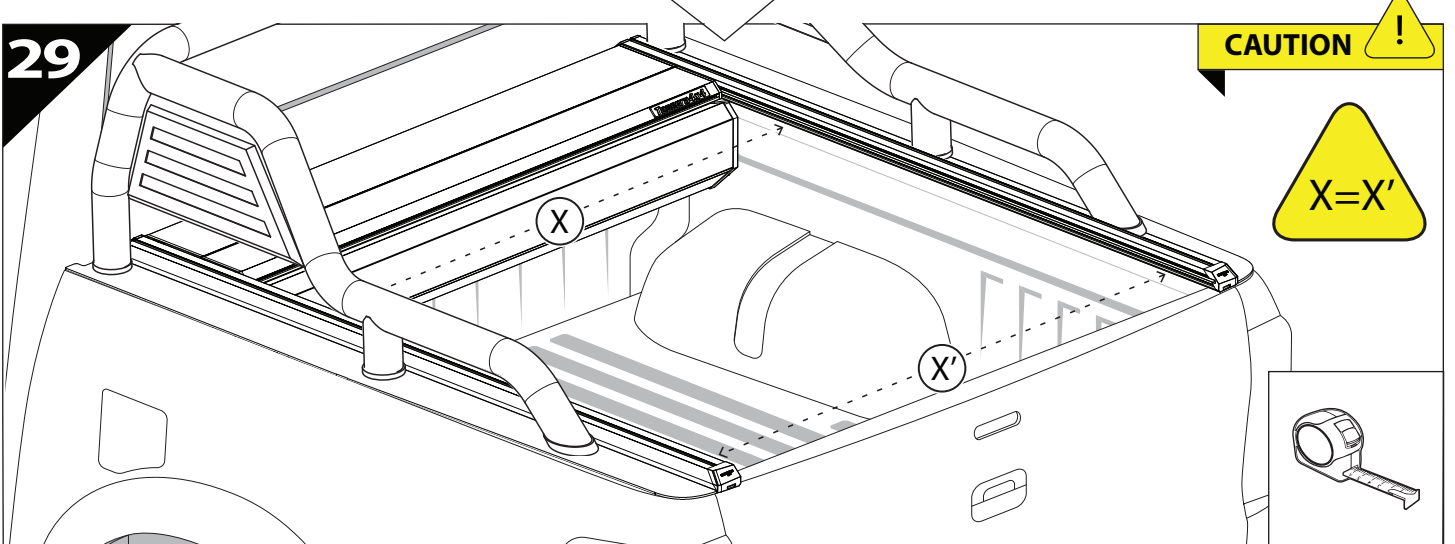
27

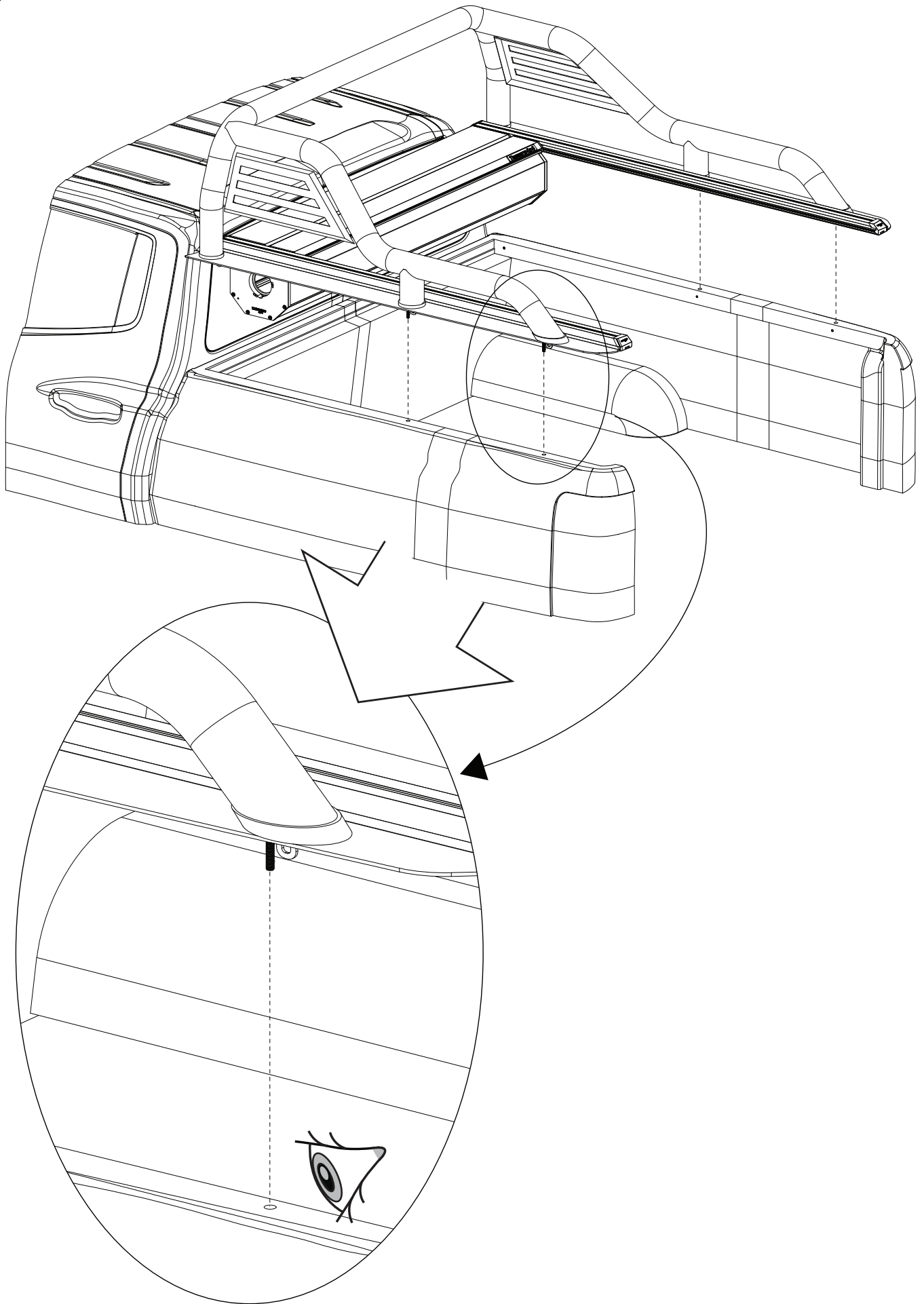


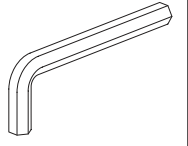
28



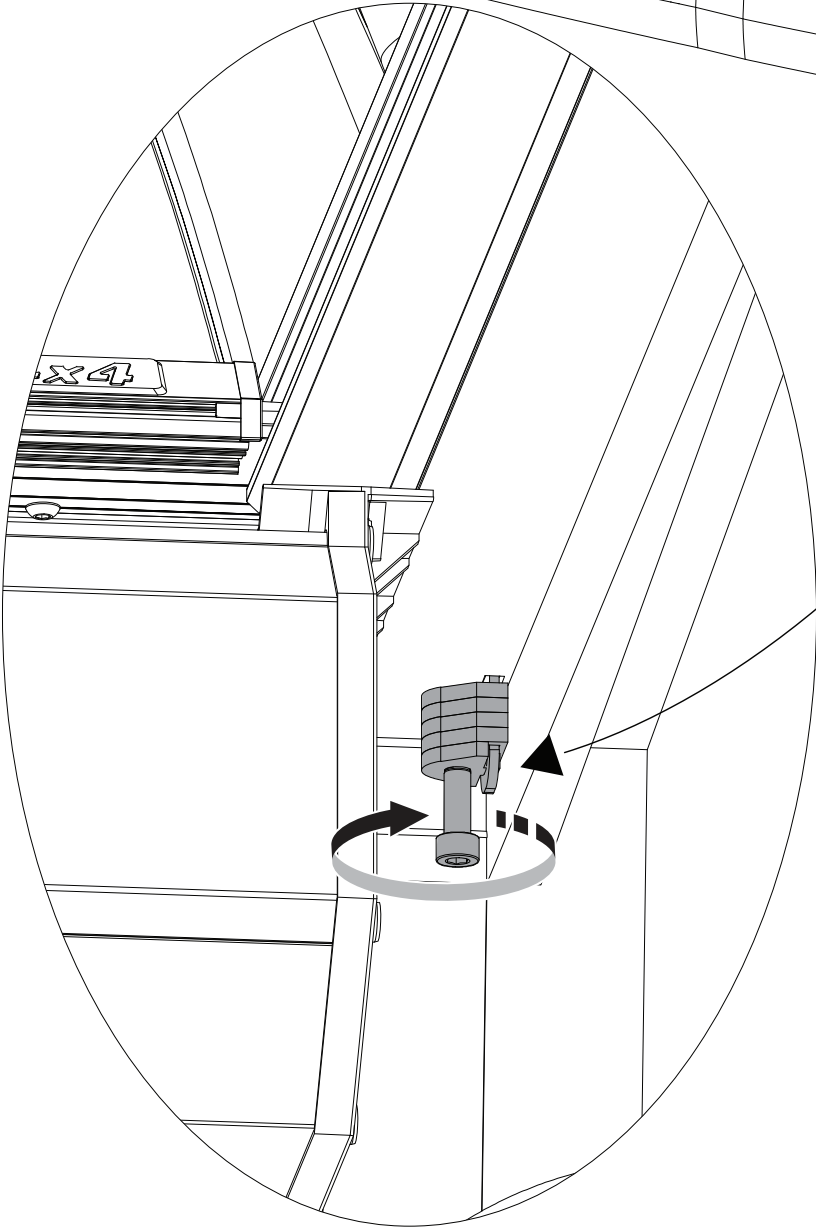
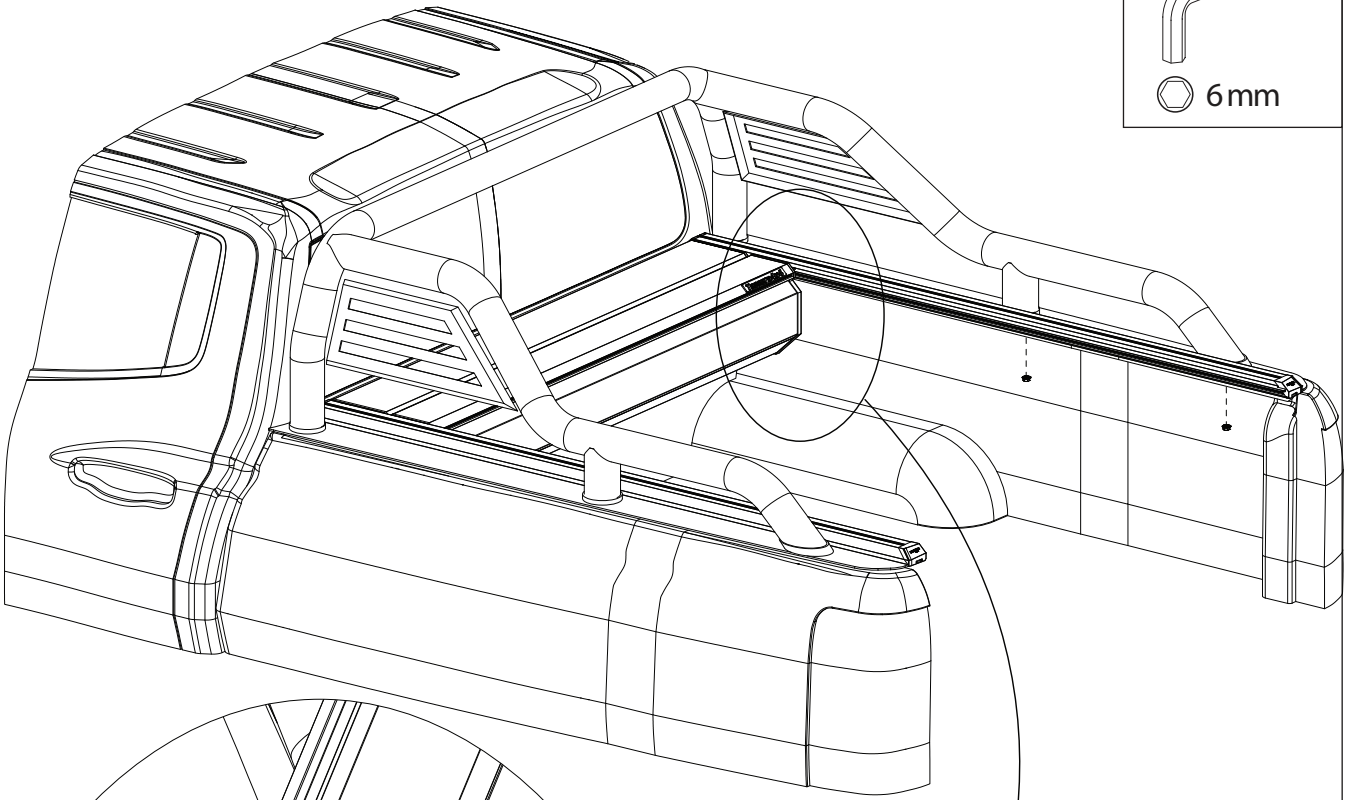
29

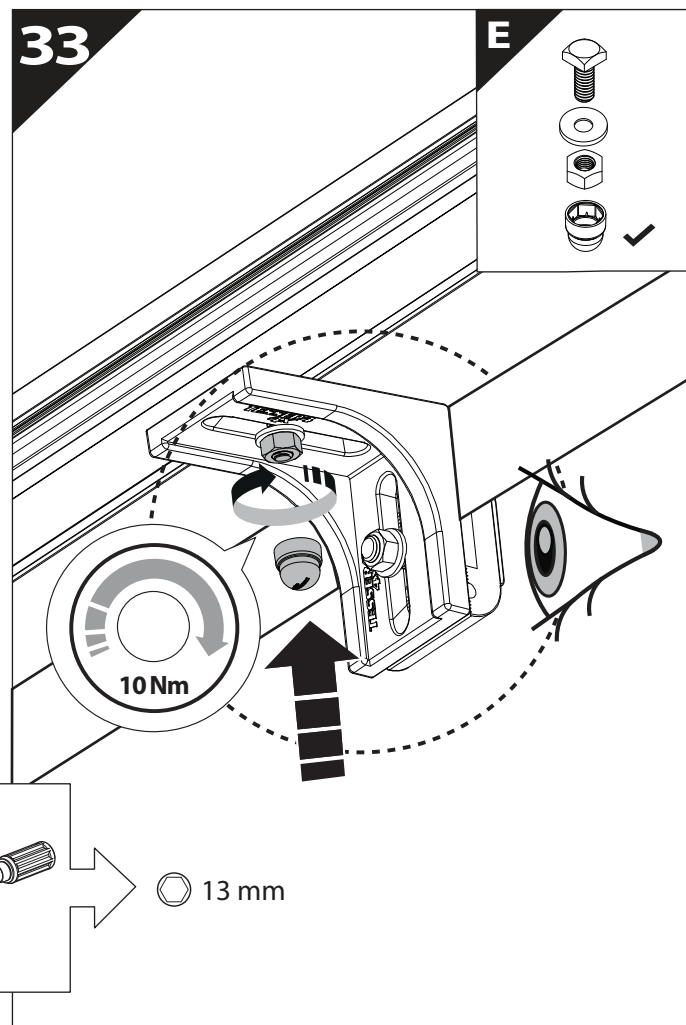
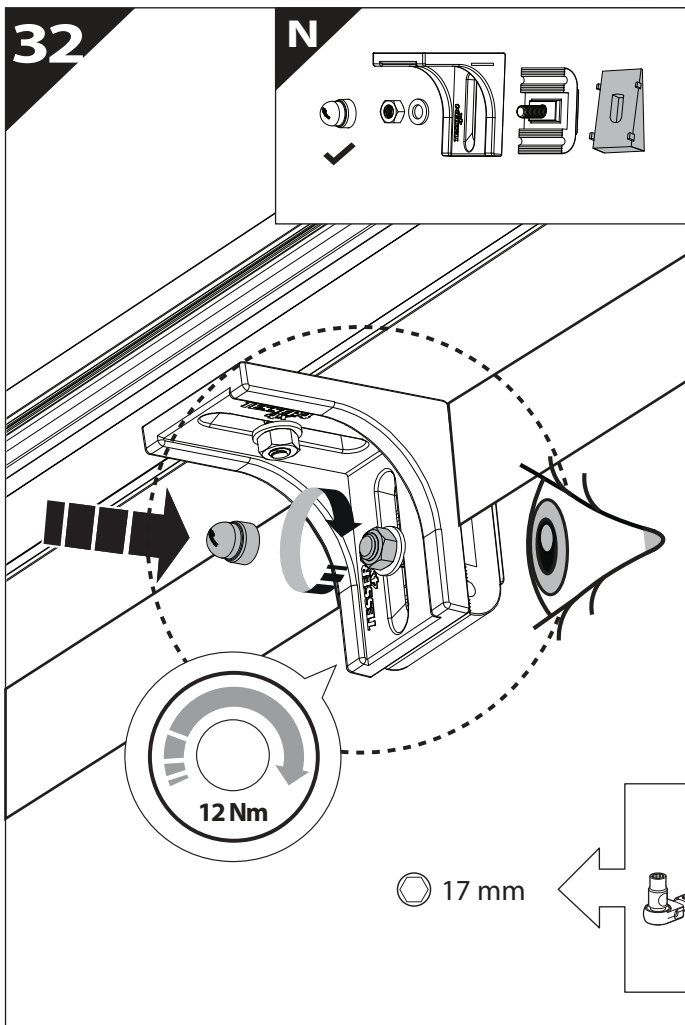




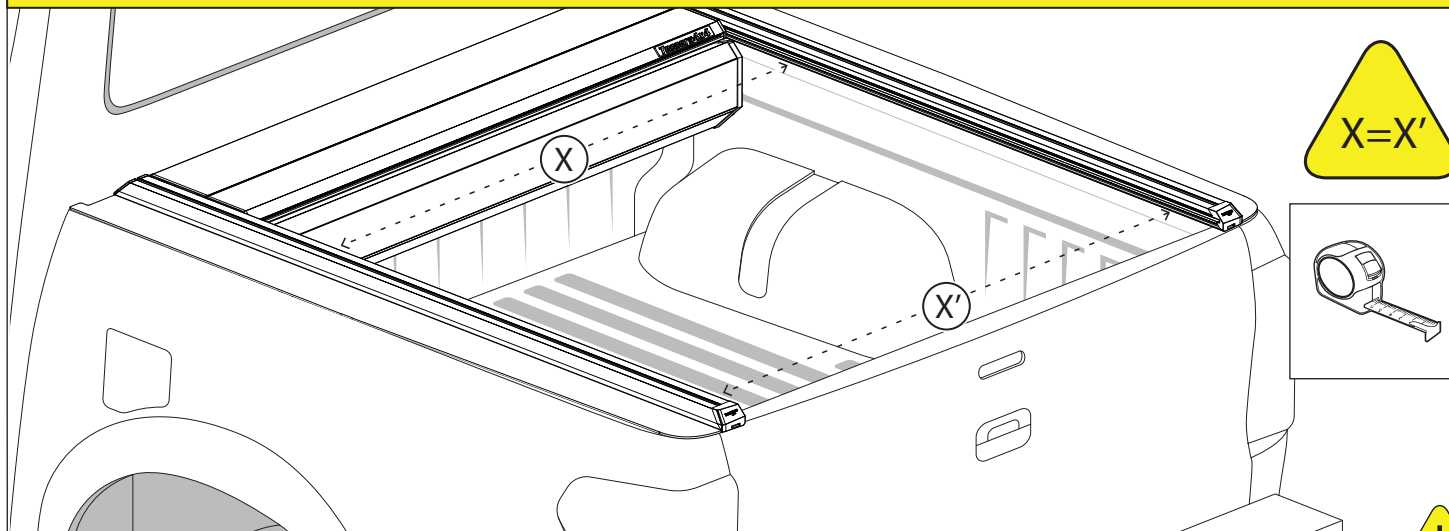


6mm

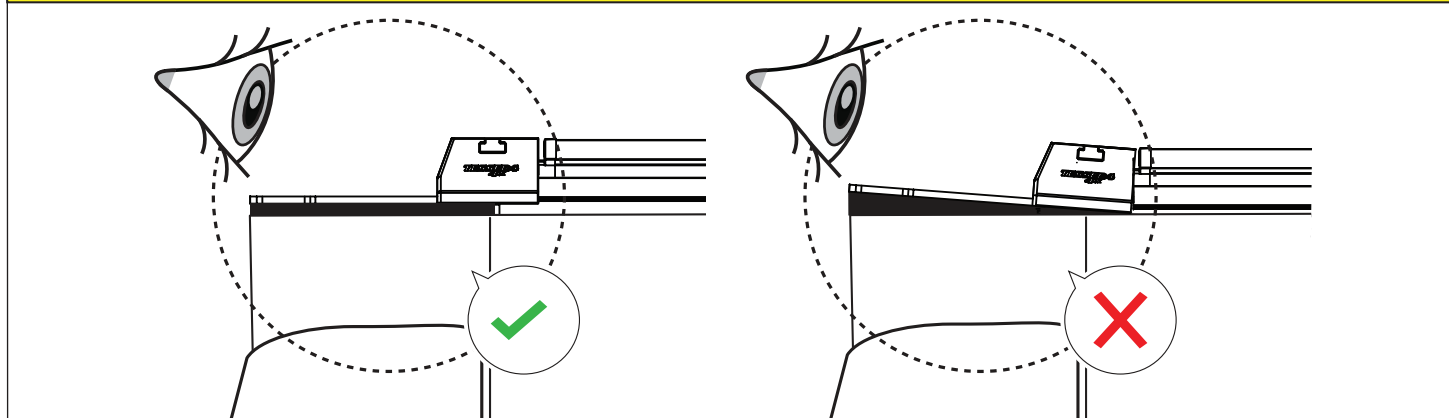


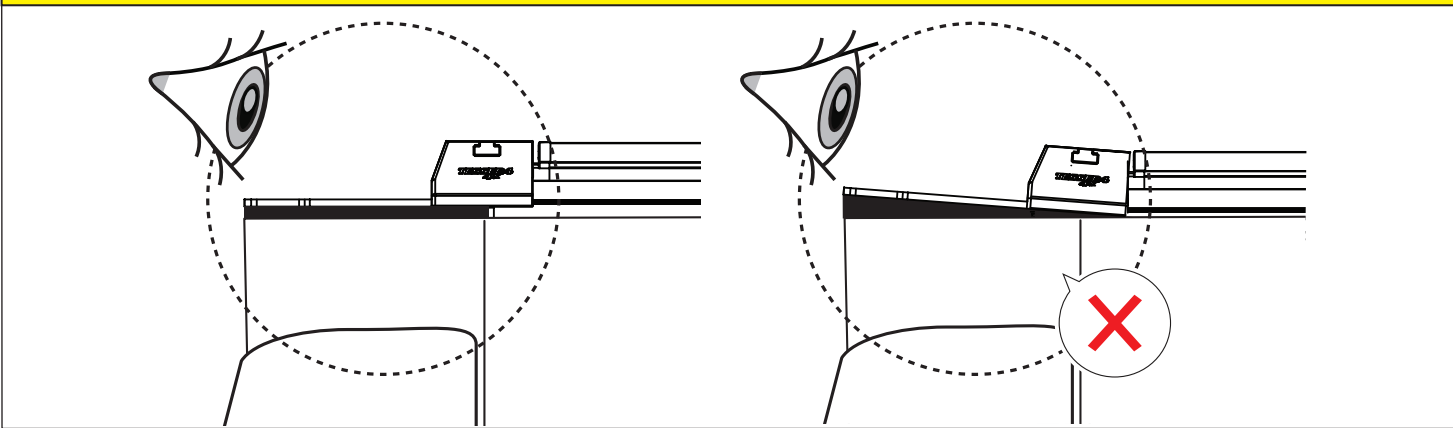
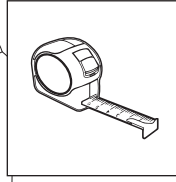
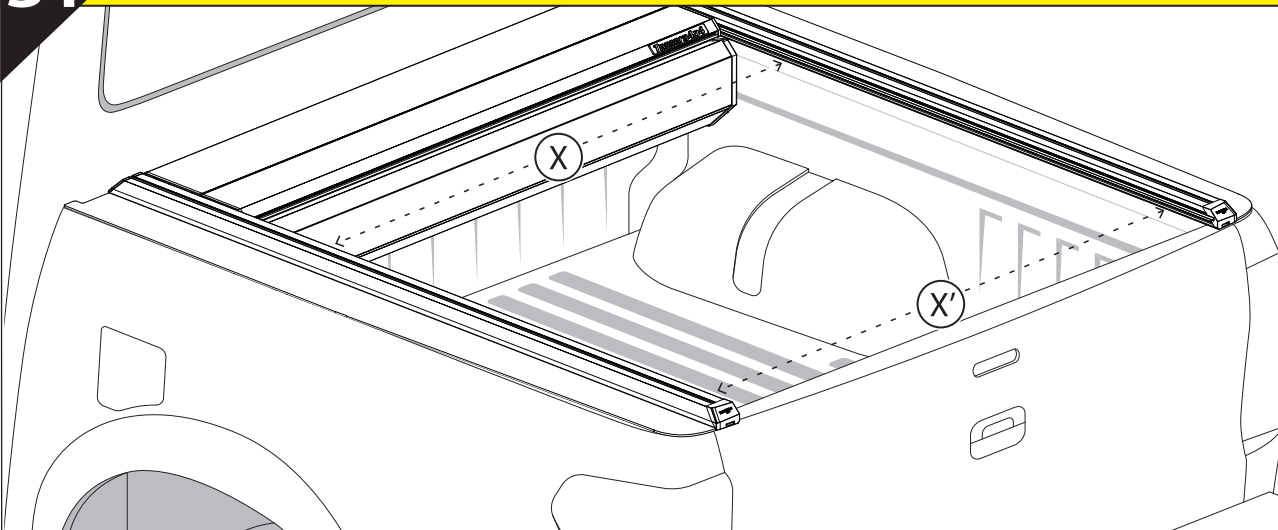


CAUTION !



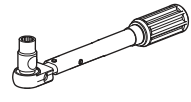
CAUTION !



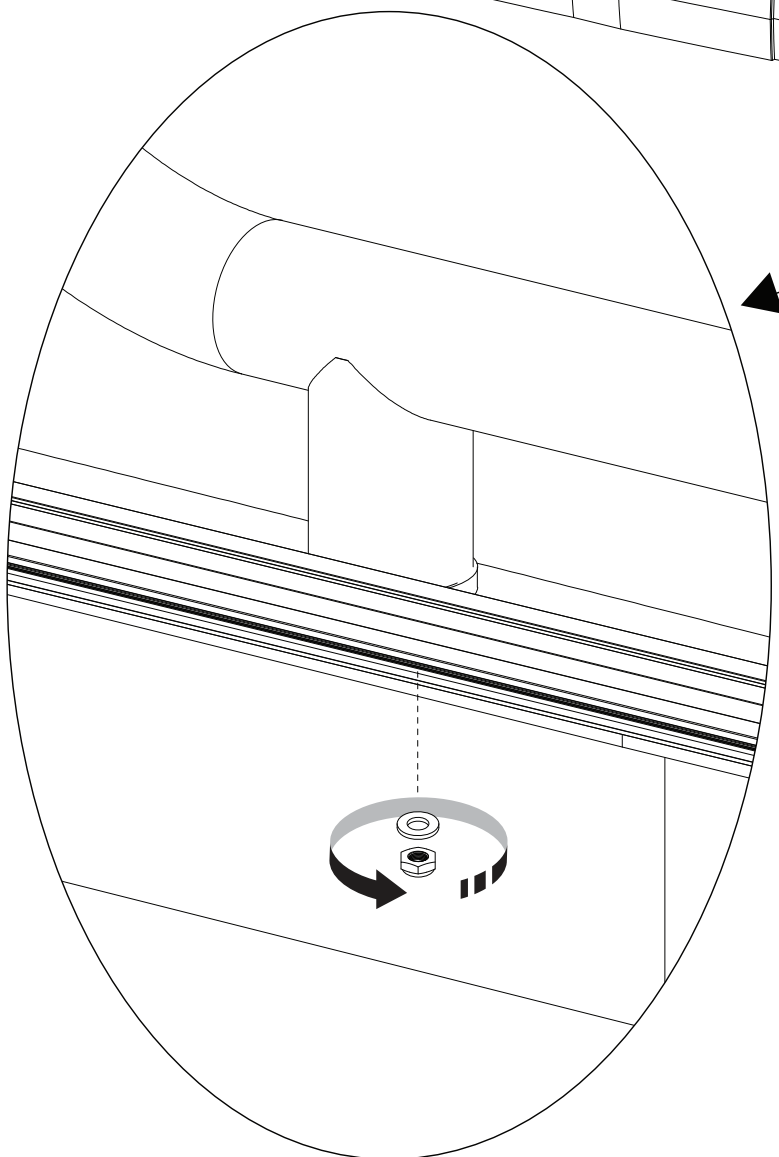
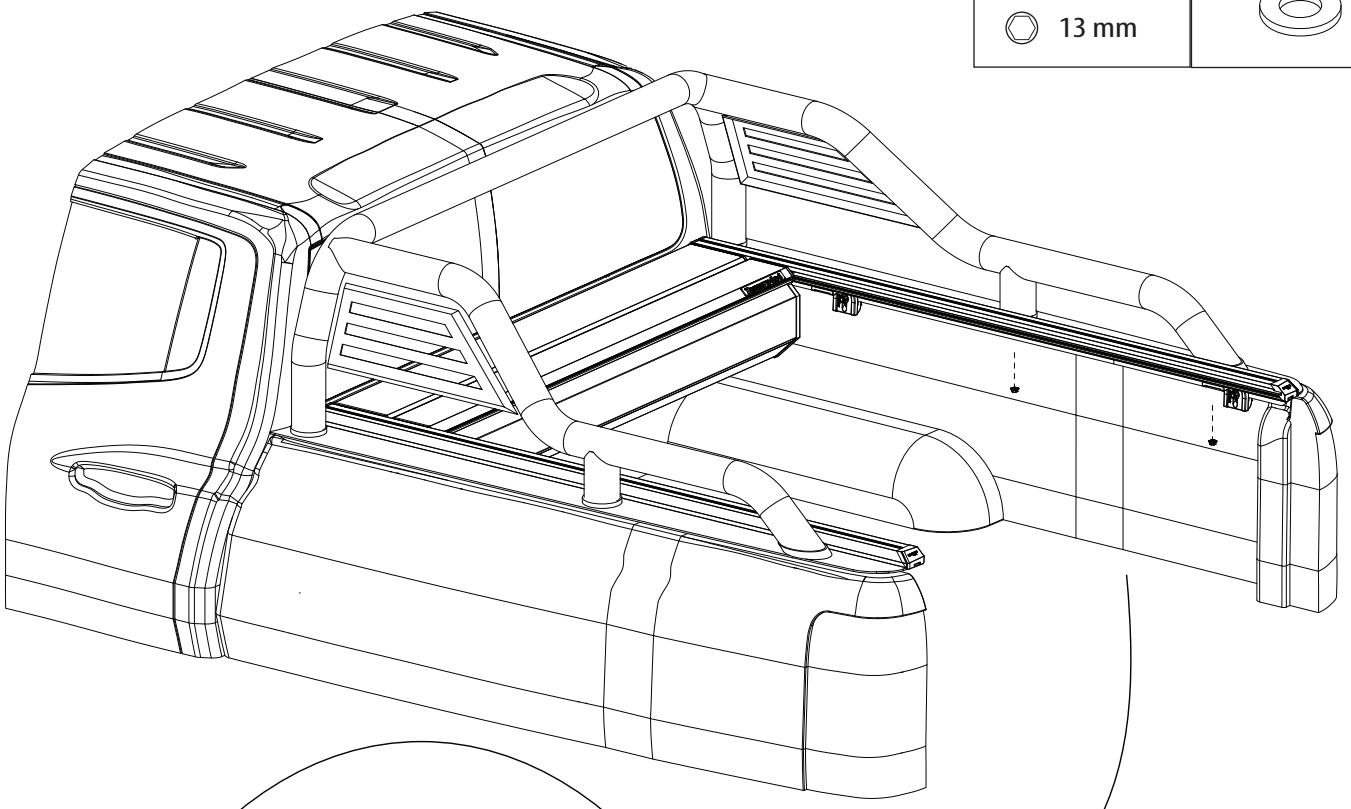
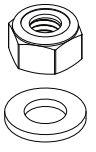


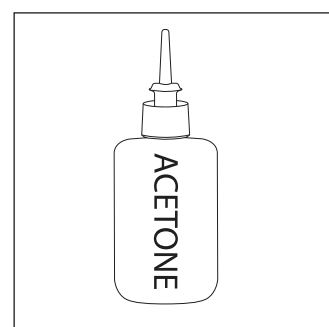
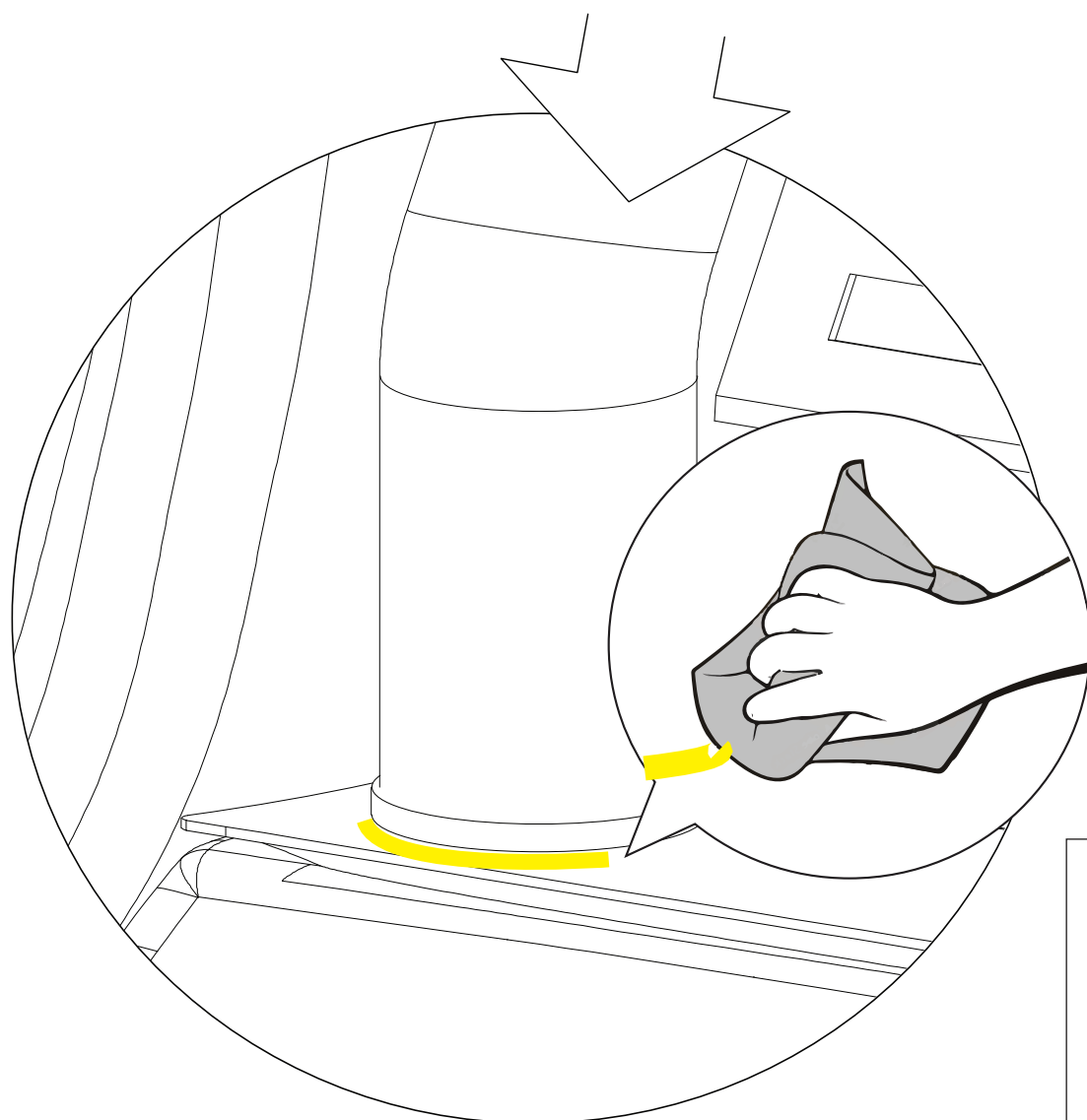
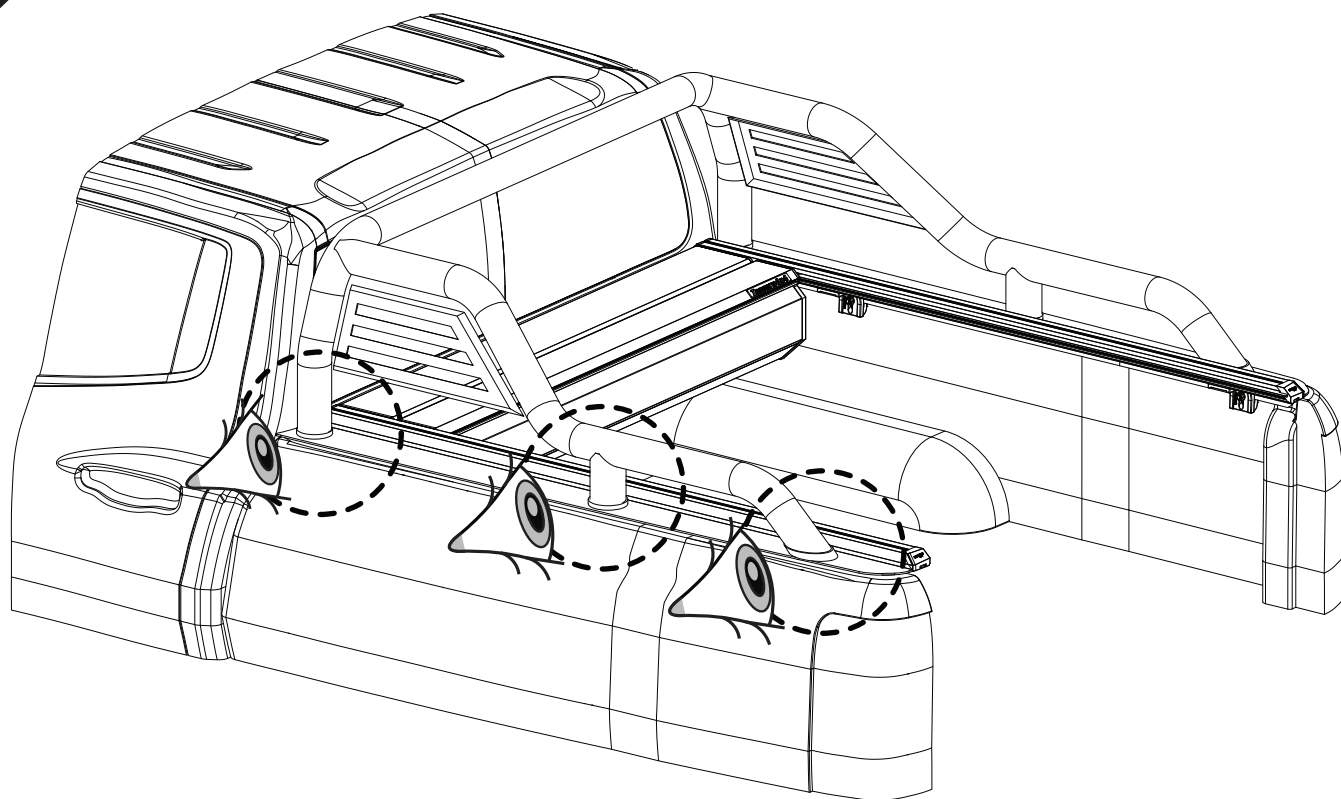
35

E1

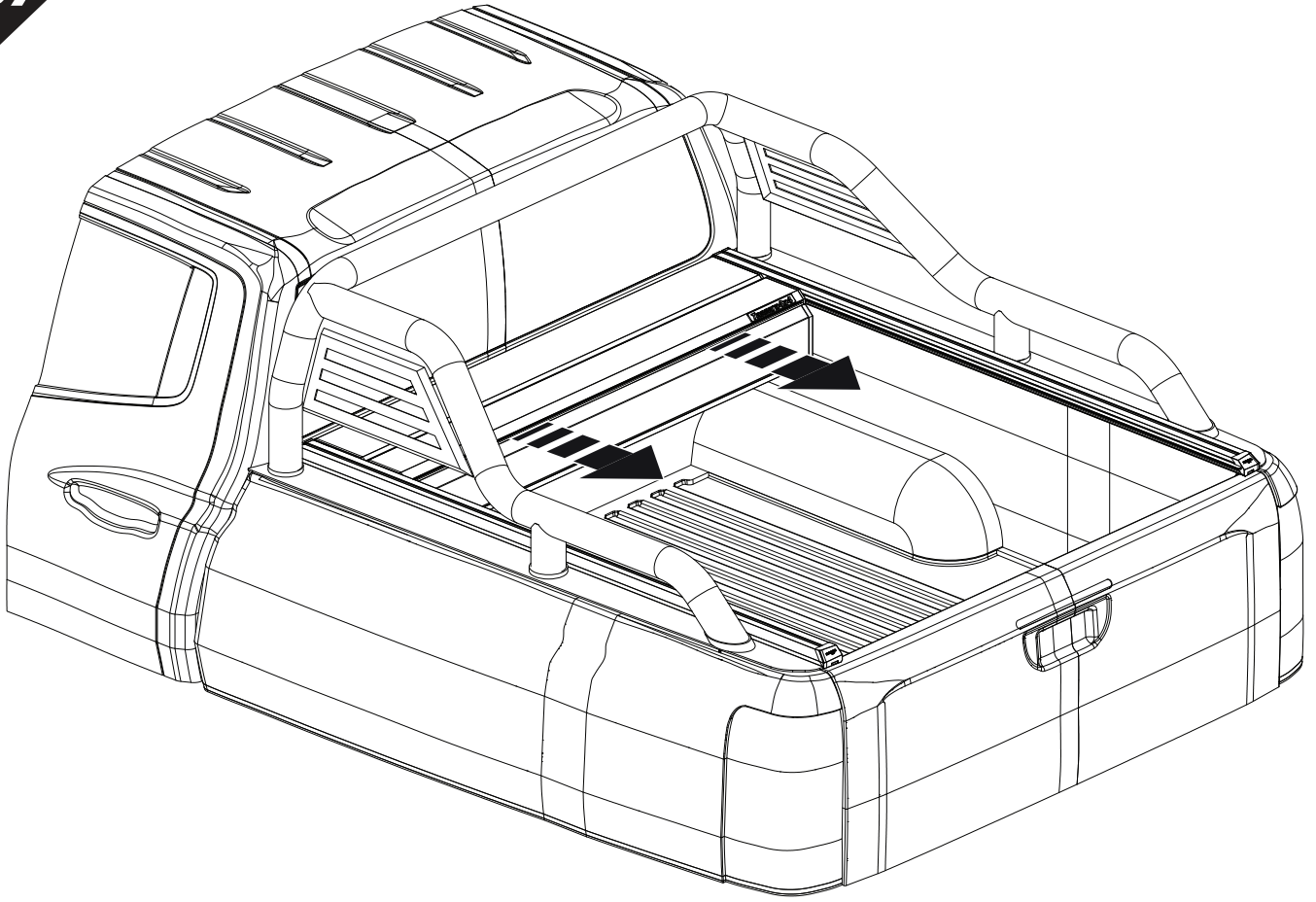


13 mm

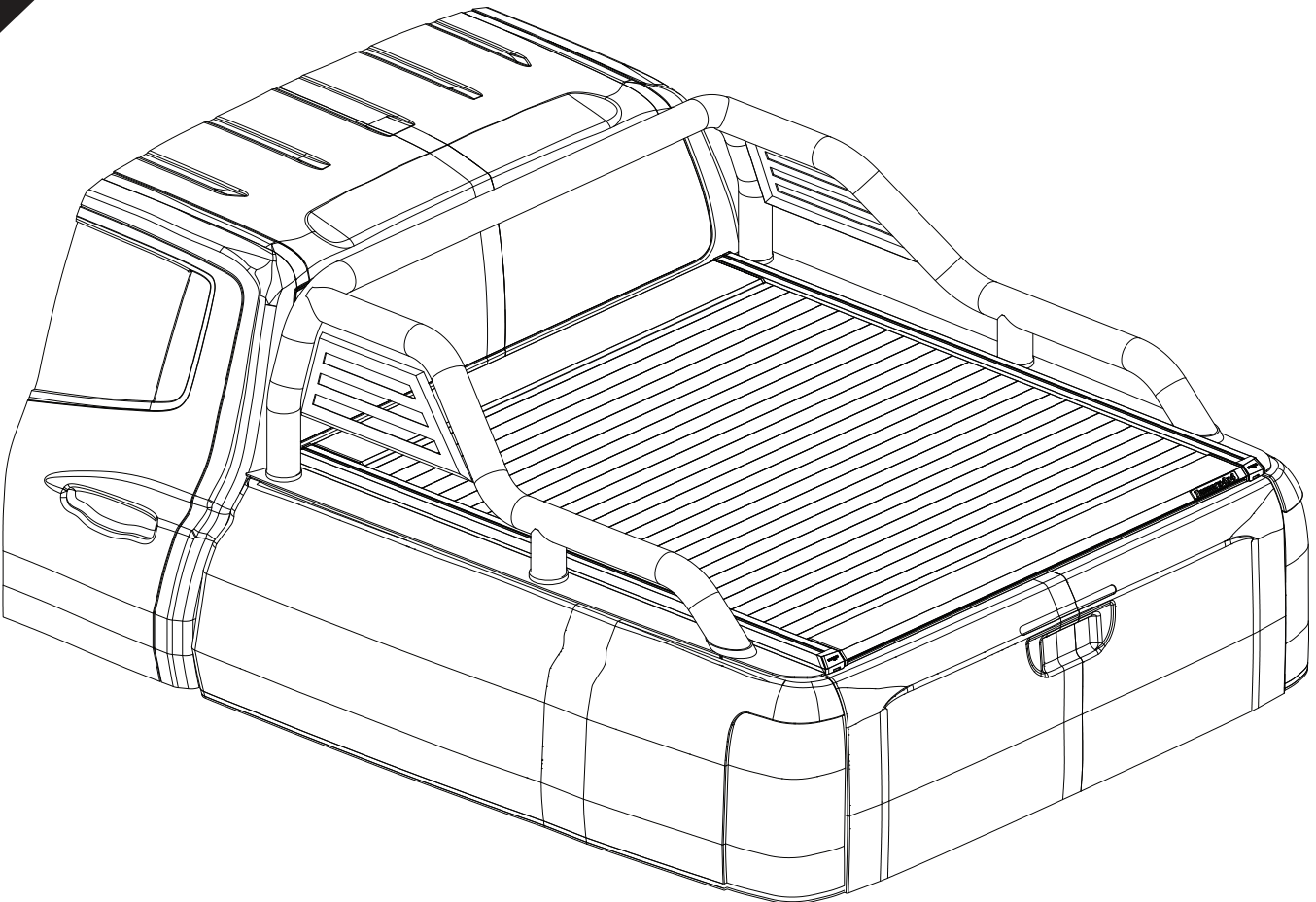




37



38





GR: Οδηγίες Εγκατάστασης
GB: Installation manual
SF: Asennusohje
F: Notice de montage
PL: Instrukcja montażu
NL: Installatie-instructies
TR: Montaj Talimatı
S: Monteringsanvisning
E: Instrucciones de montaje

H: Szerelési utasítás
P: Instruções de instalação
RUS: Инструкция по установке
N: Monteringsveiledning
D: Einbauanleitung
CZ: Návod k instalaci
I: Istruzioni de montaggio
DK: Monteringsvejledning
RO: Instructiuni de instalare

Customer Service:

+30 (210) 5541161, +30 (210) 5541154 (08:00 - 16:00 EET)

Support department:

info@gianso.gr

Website:

www.tessera4x4.com

Address:

19.5 km of National road Athens-Korinthos (Elefsina) Greece, P.C: 19200