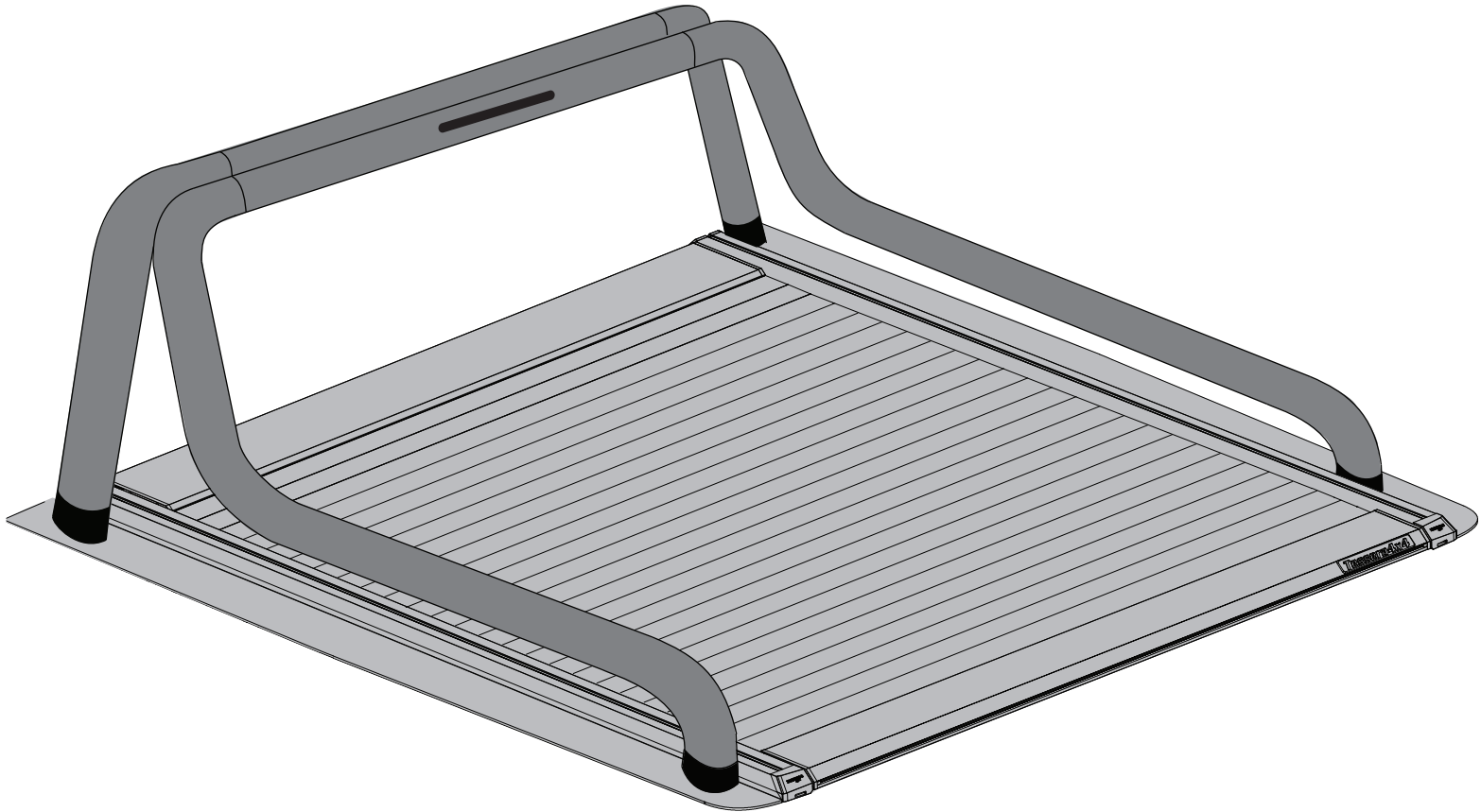


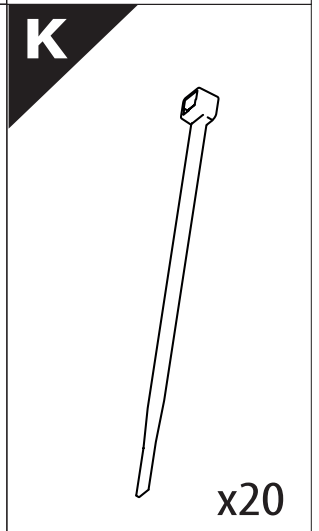
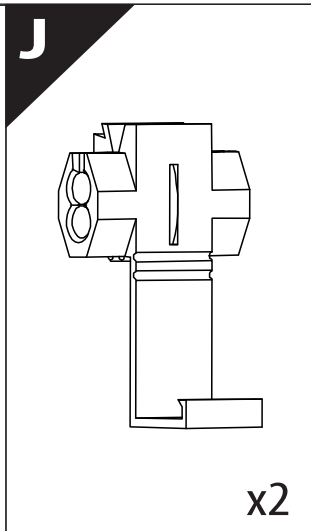
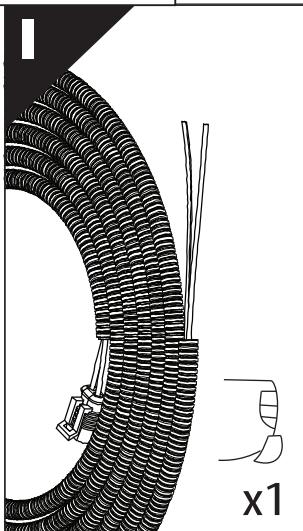
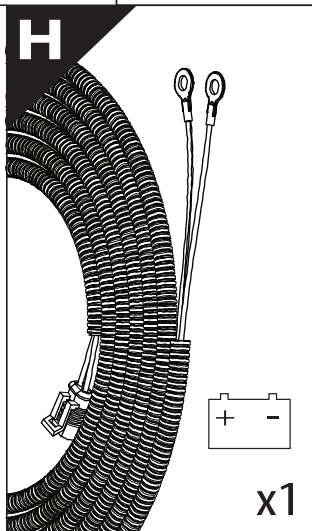
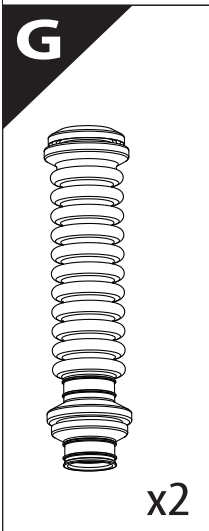
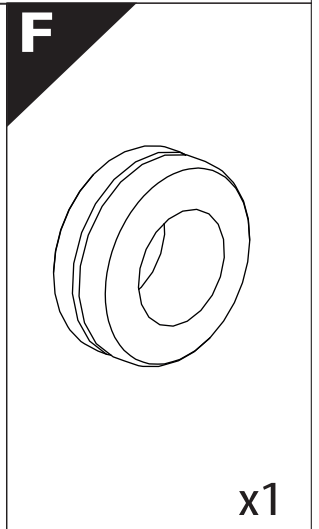
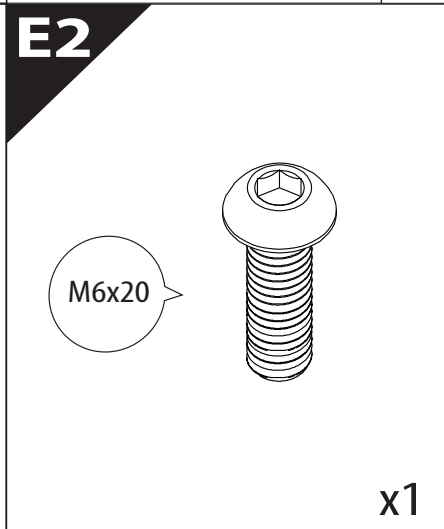
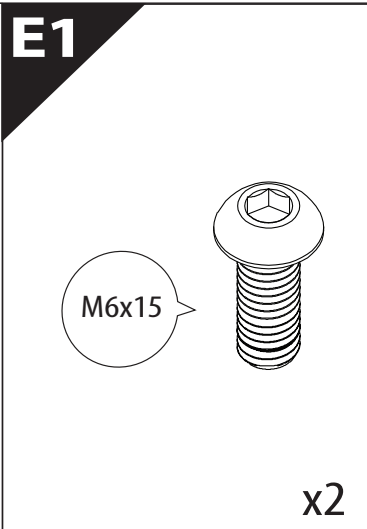
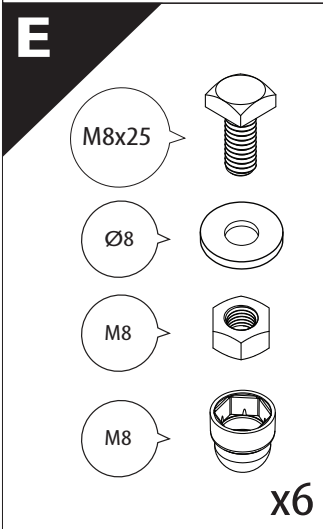
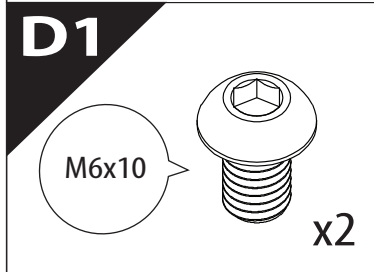
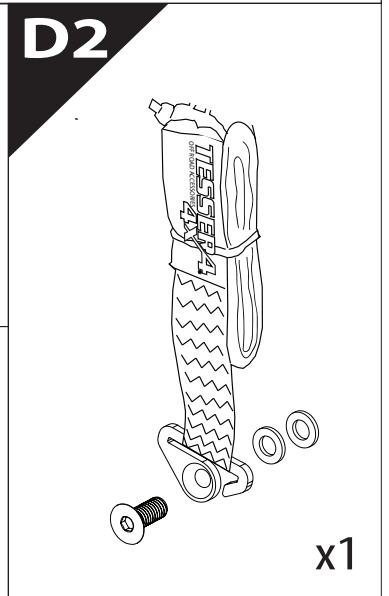
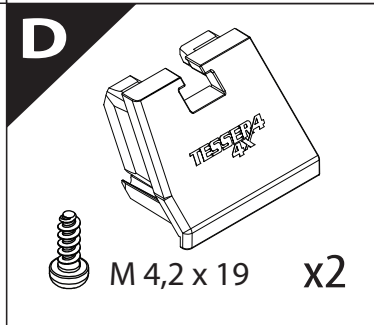
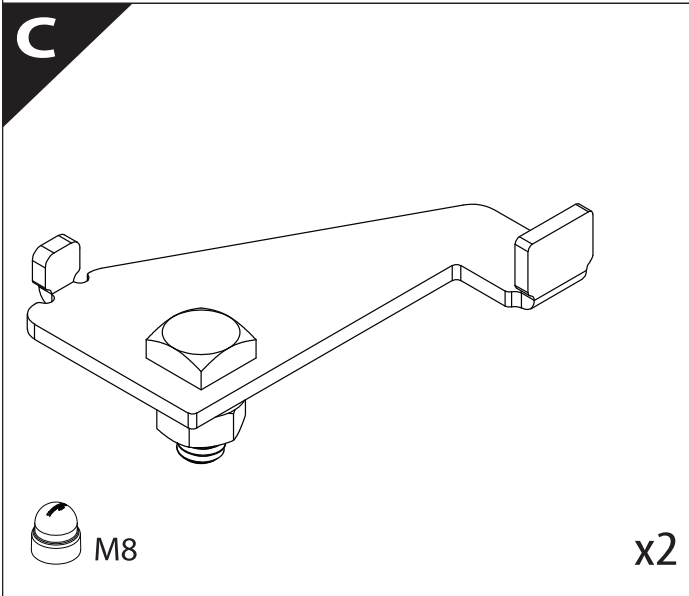
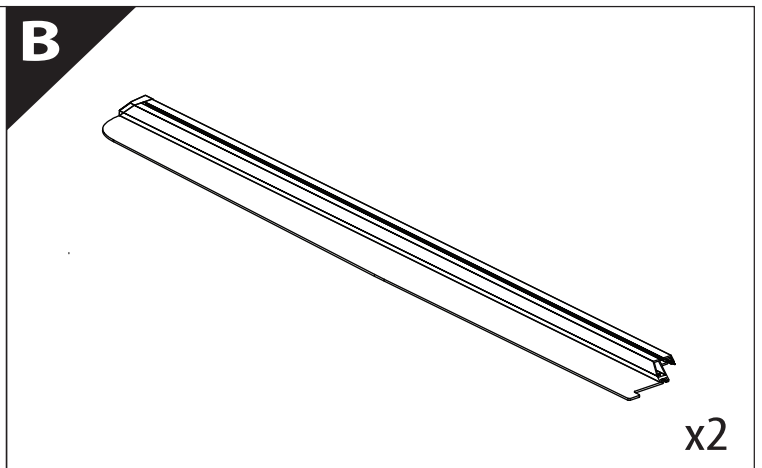
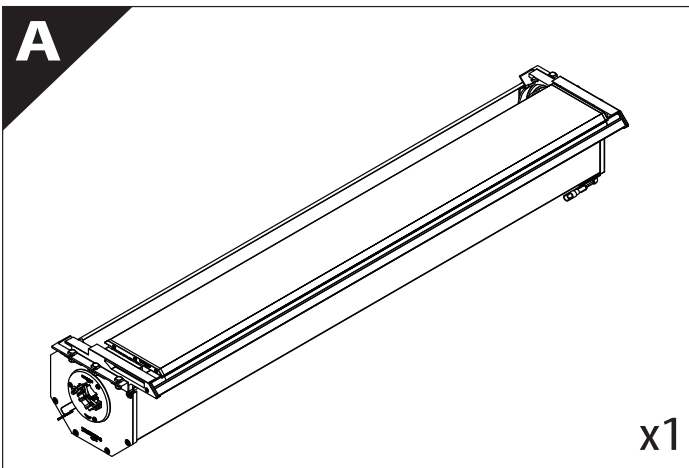
Tessera Roll+

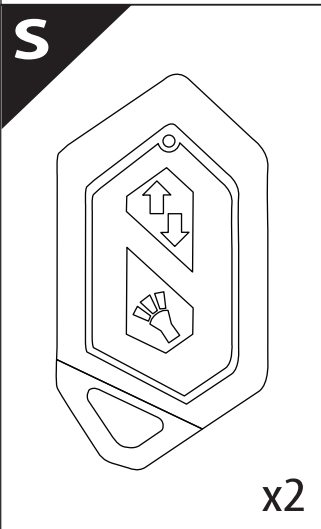
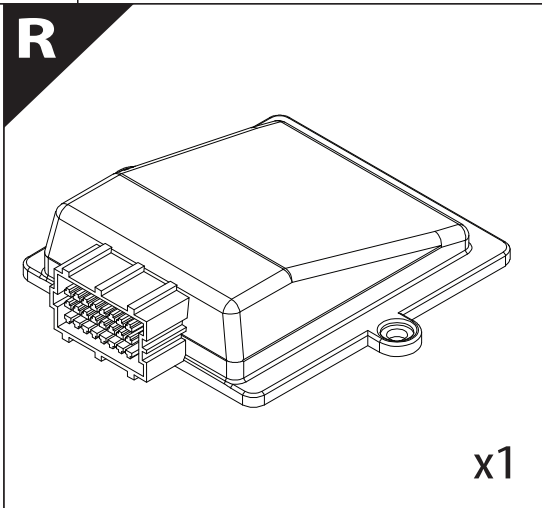
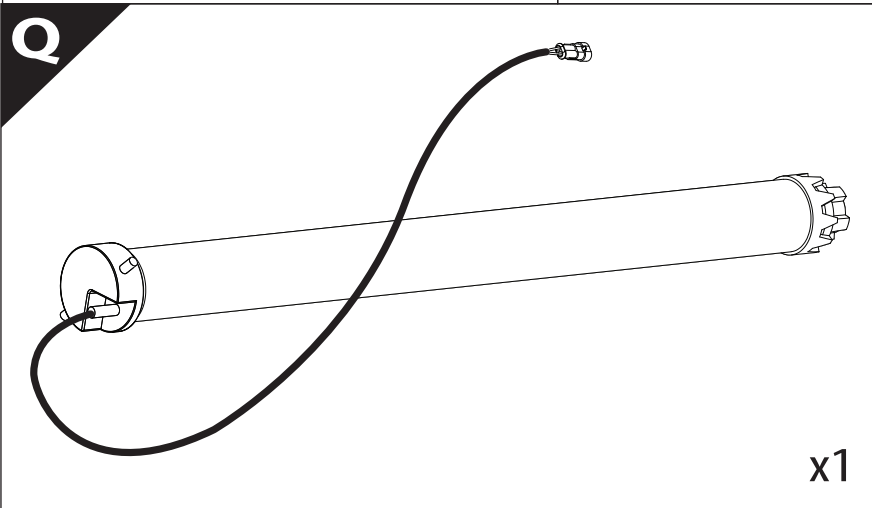
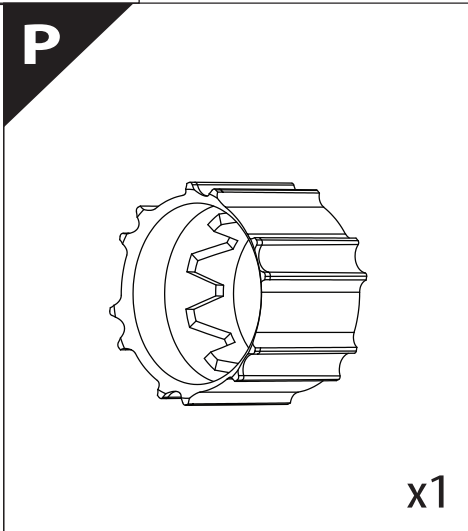
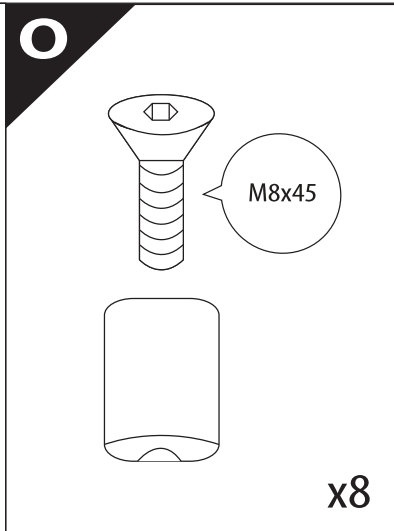
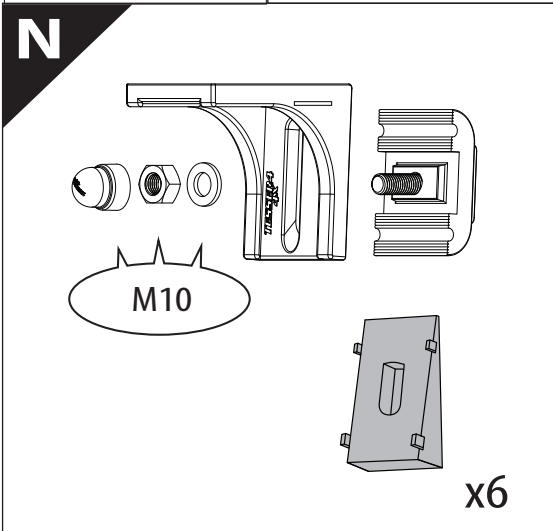
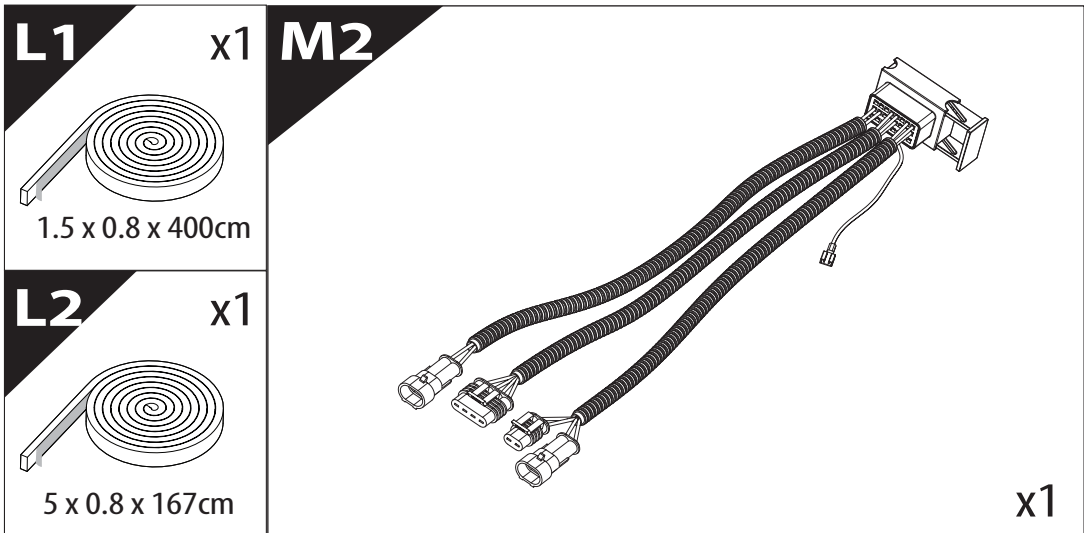
Basic Version + ⚡ E-KIT

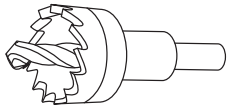


Installation Manual

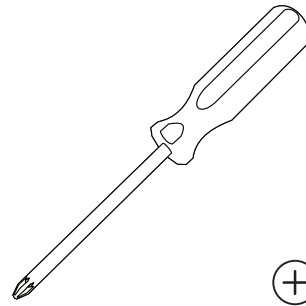
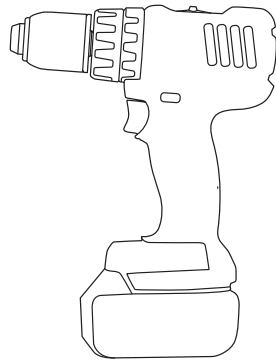
PART NUMBER(S)	Model Year
TESS 1401 ROLL +ADAPT 007 +E-KIT	VW Amarok With Canyon's Roll Bar 2010-2021
Cab(s)	Installation Time / Weight
Double Cab	40-60 minutes / 53-57 kg



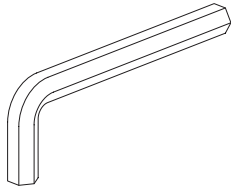
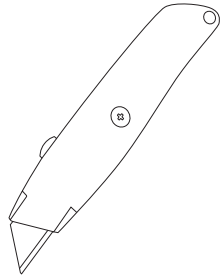
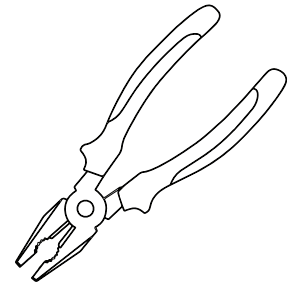




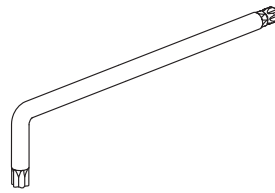
Ø 25 mm / Ø 40 mm



+

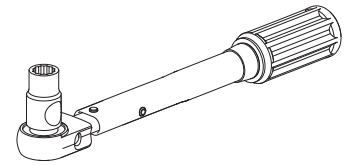


4, 5, 6 mm



T 30

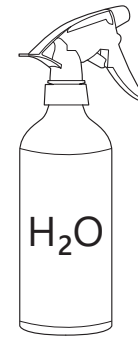
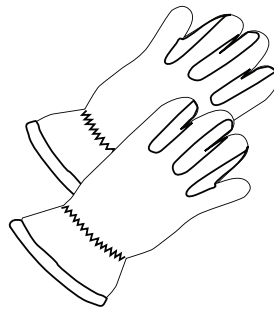
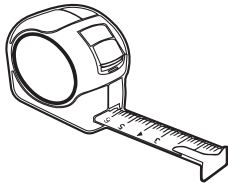
1 - 25 Nm



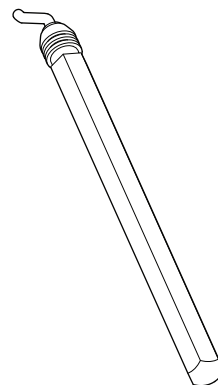
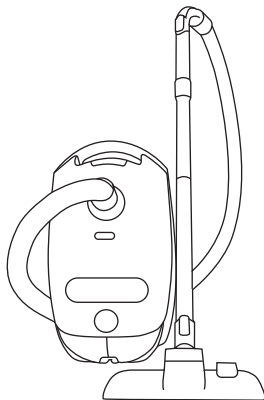
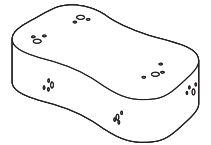
10, 12, 13, 17 mm



ACETONE



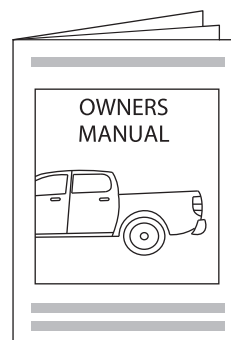
H₂O



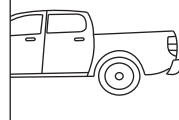
ANTI-RUST



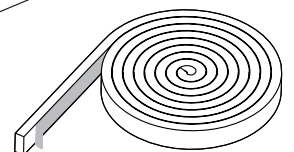
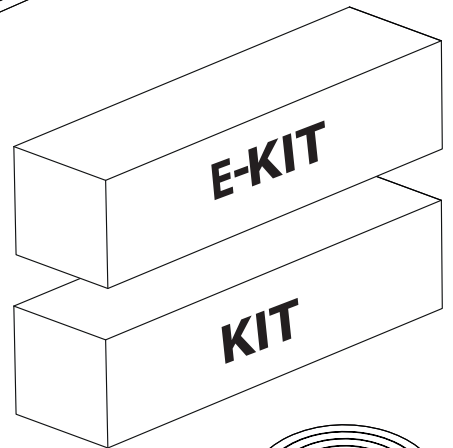
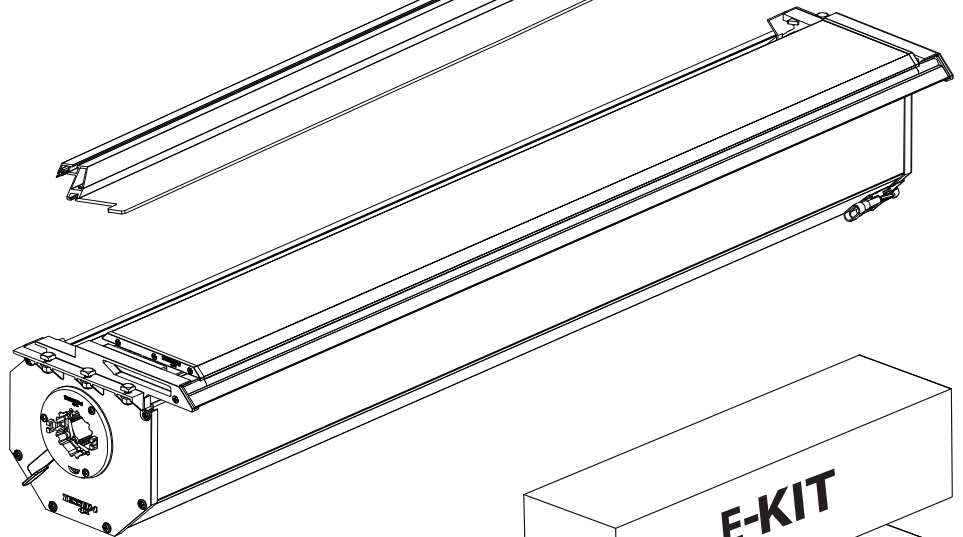
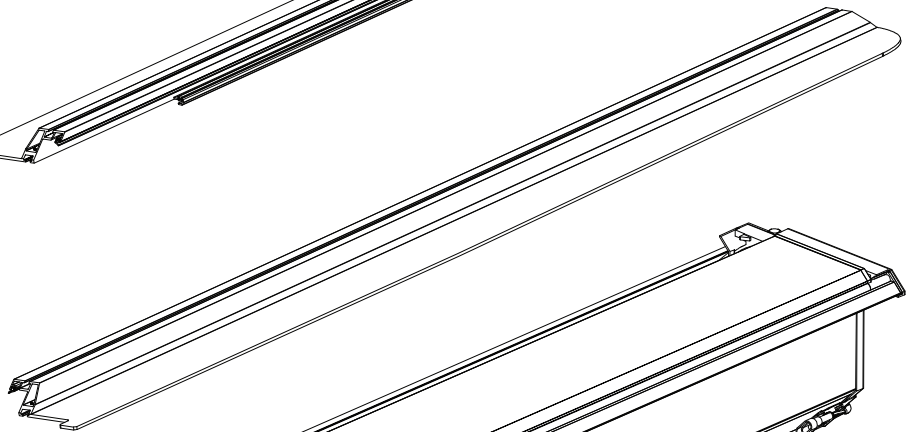
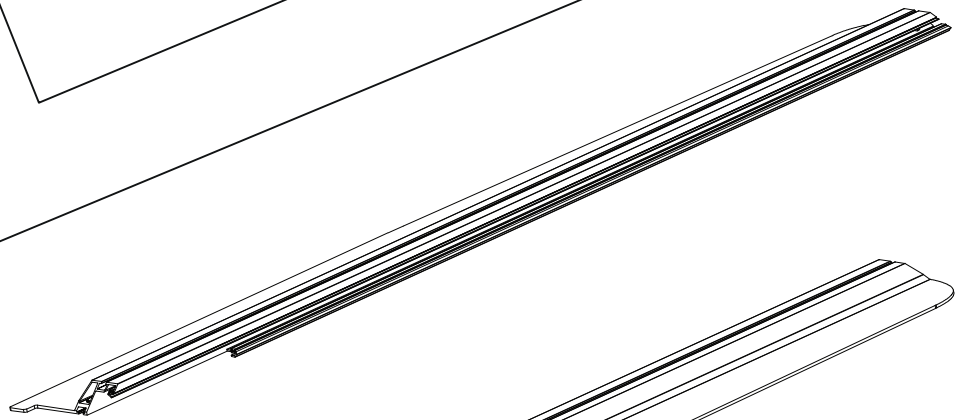
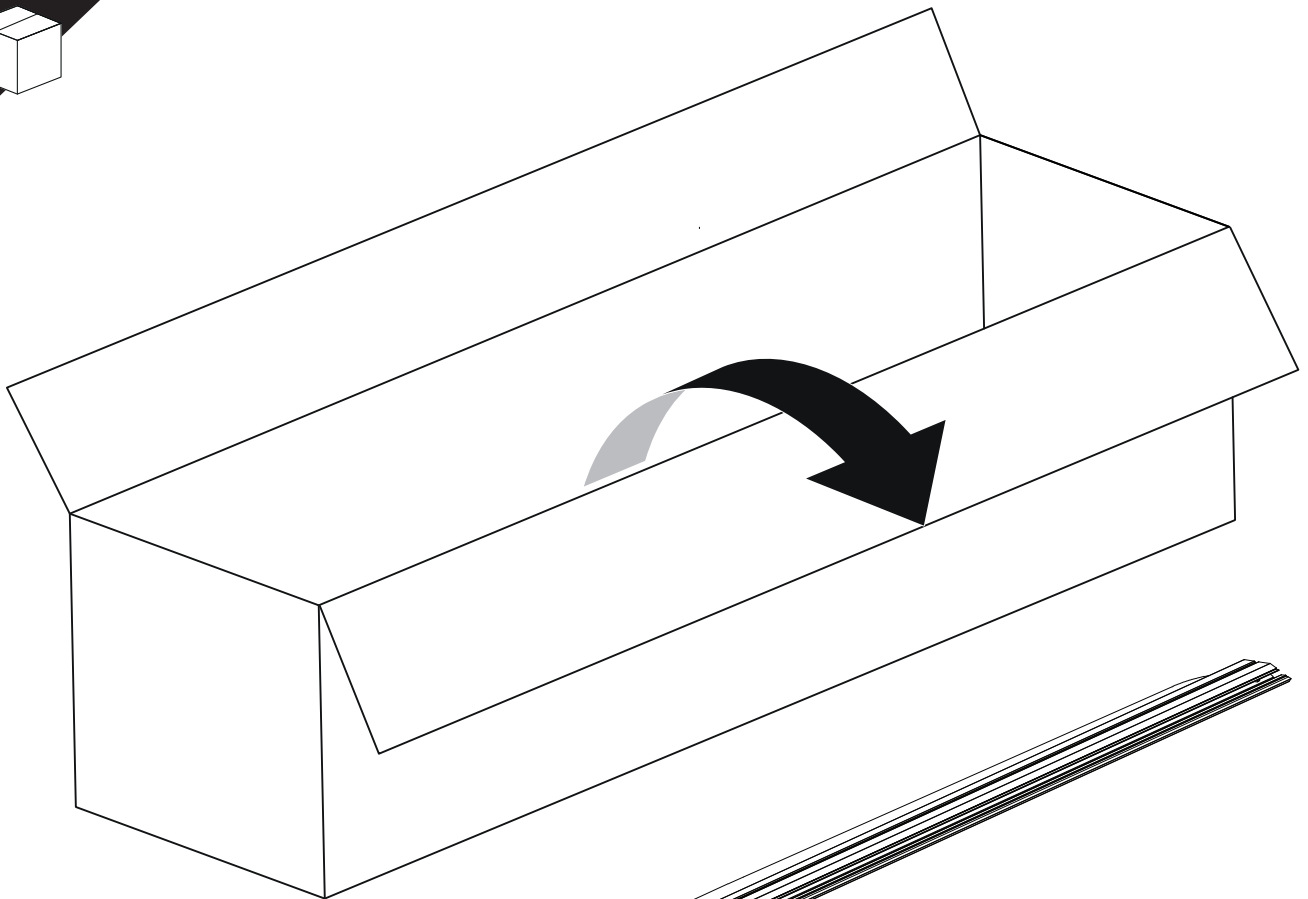
INSTALATION
MANUAL
+E-KIT



OWNERS
MANUAL



x1



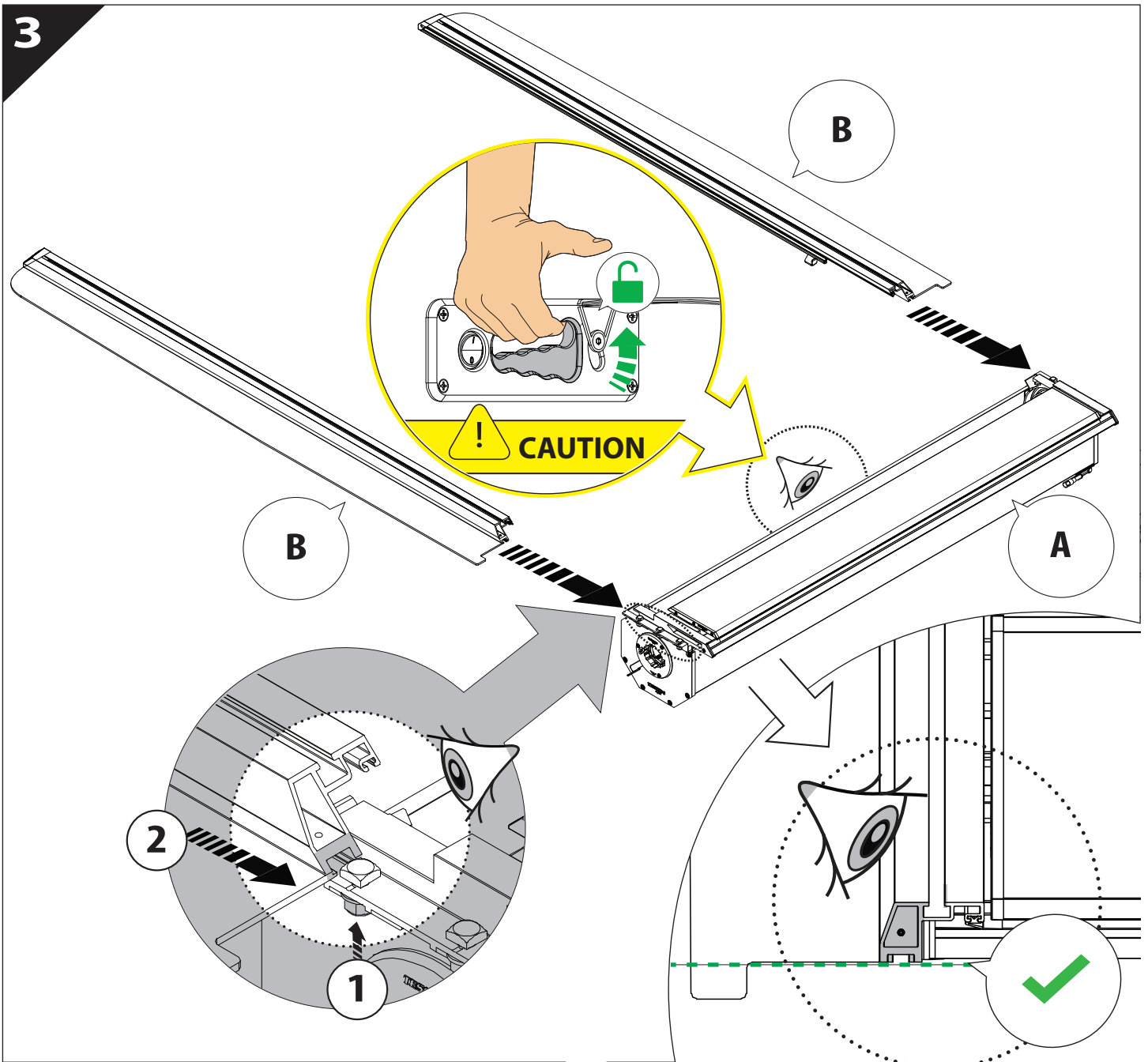
B

A

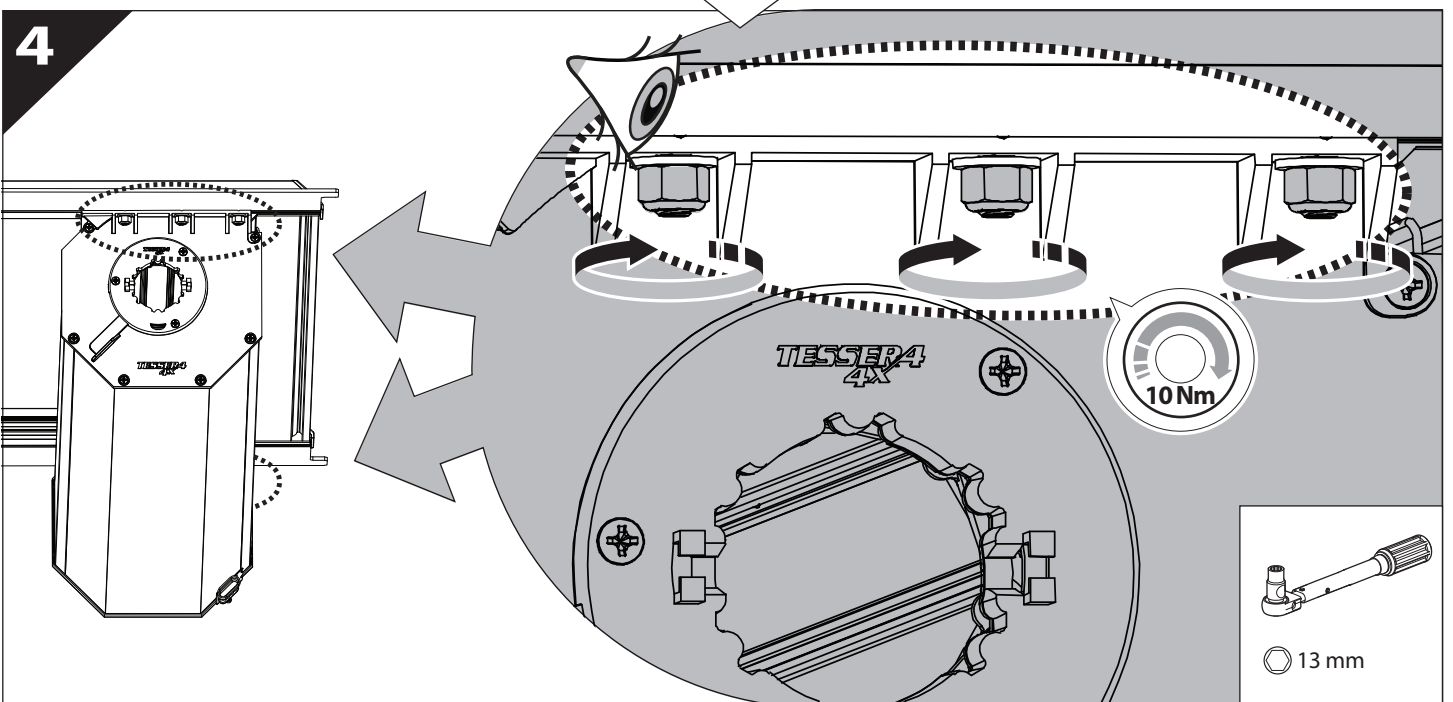
KITS

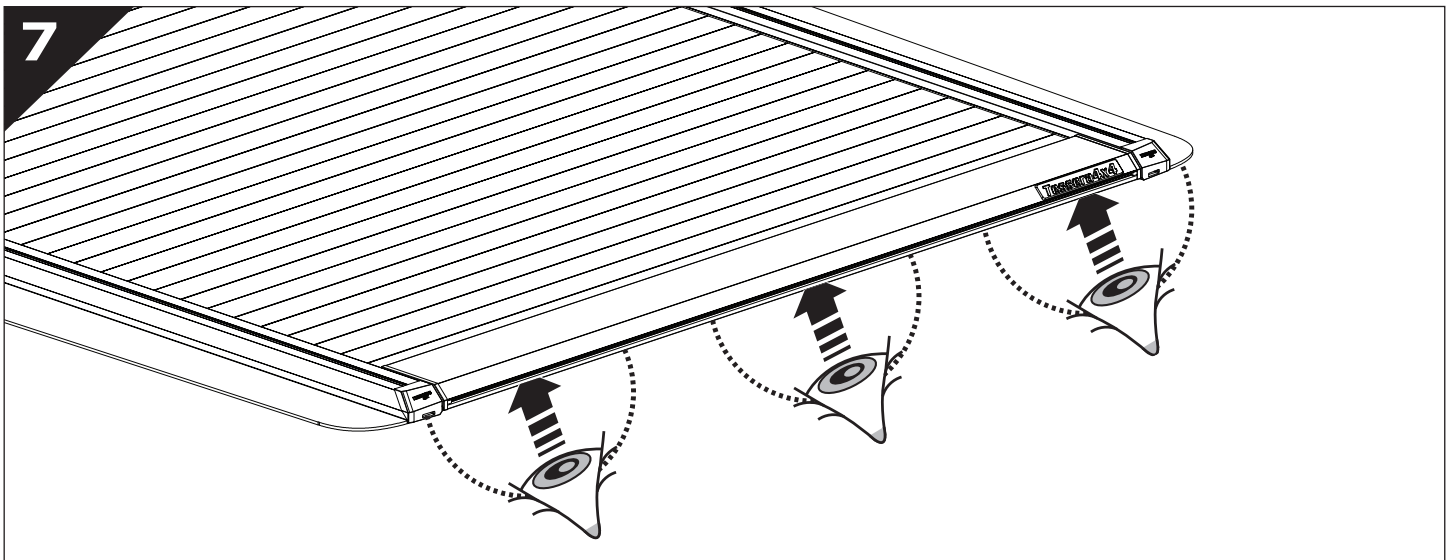
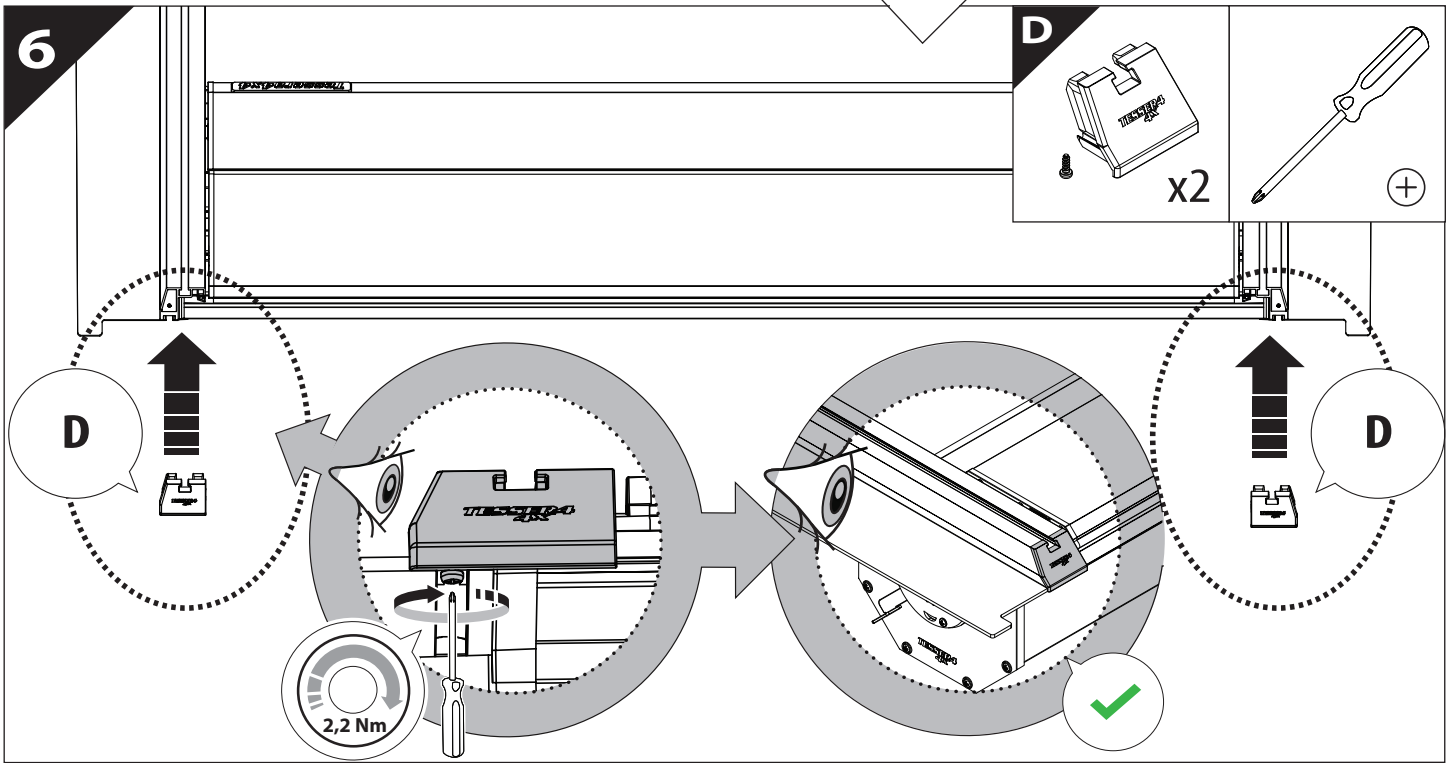
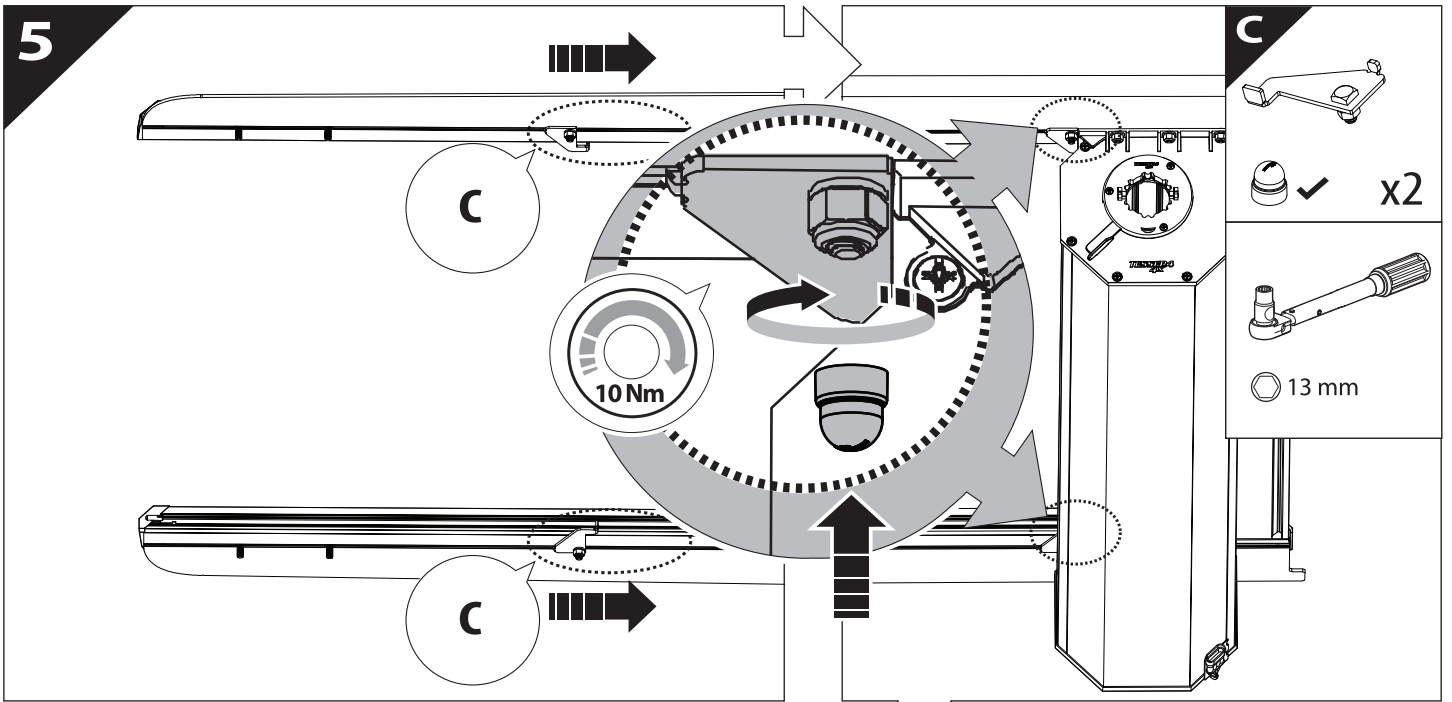
L

3



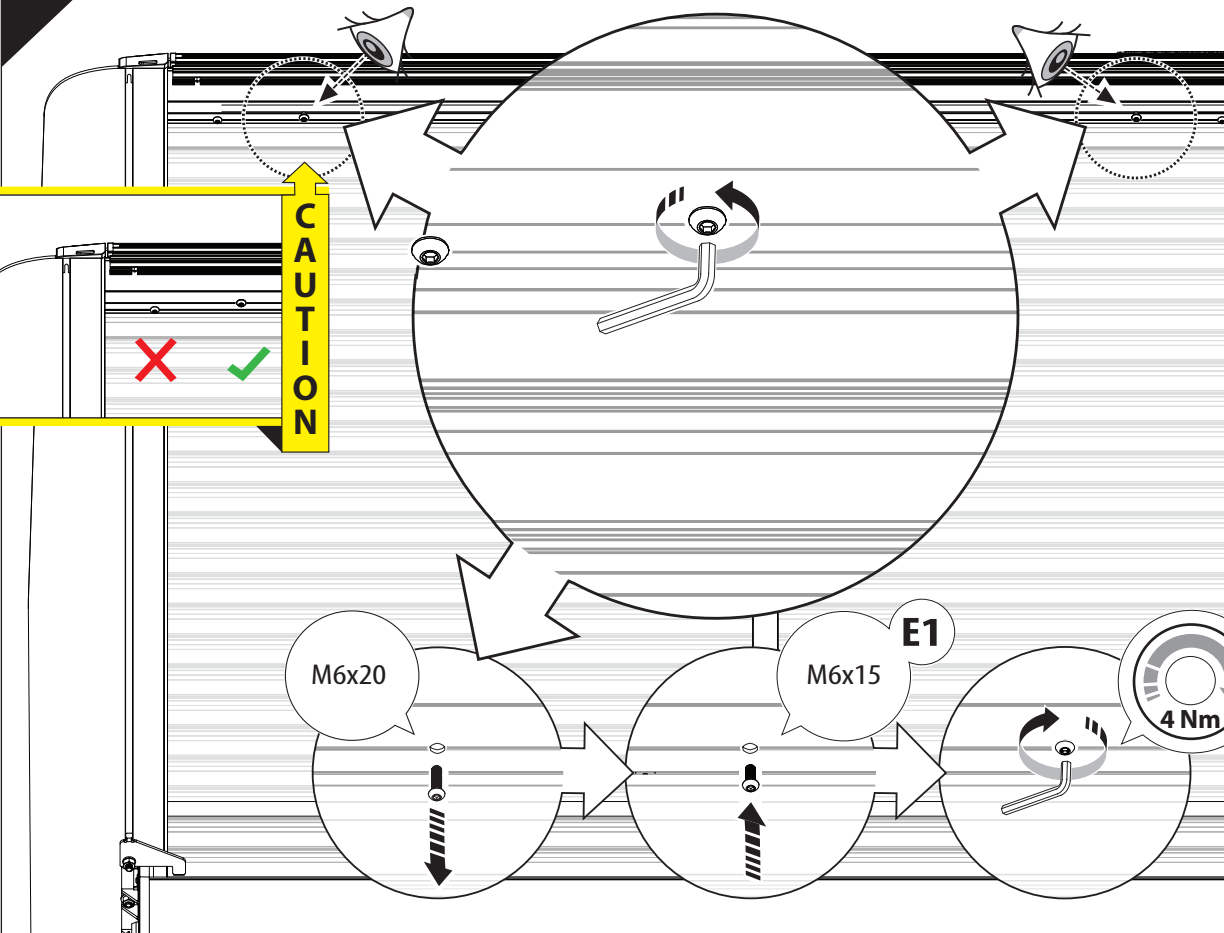
4





8

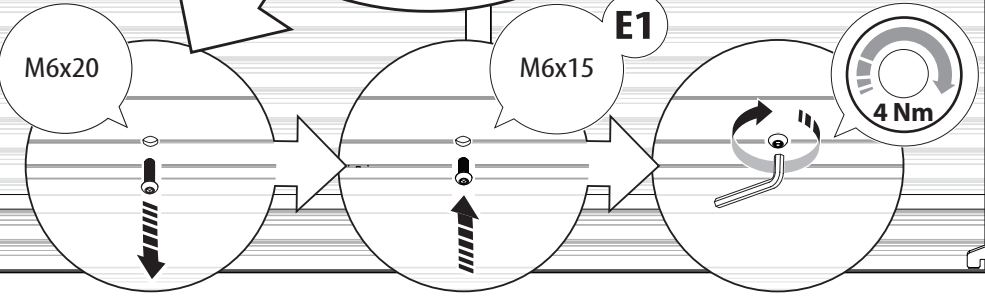
CAUTION



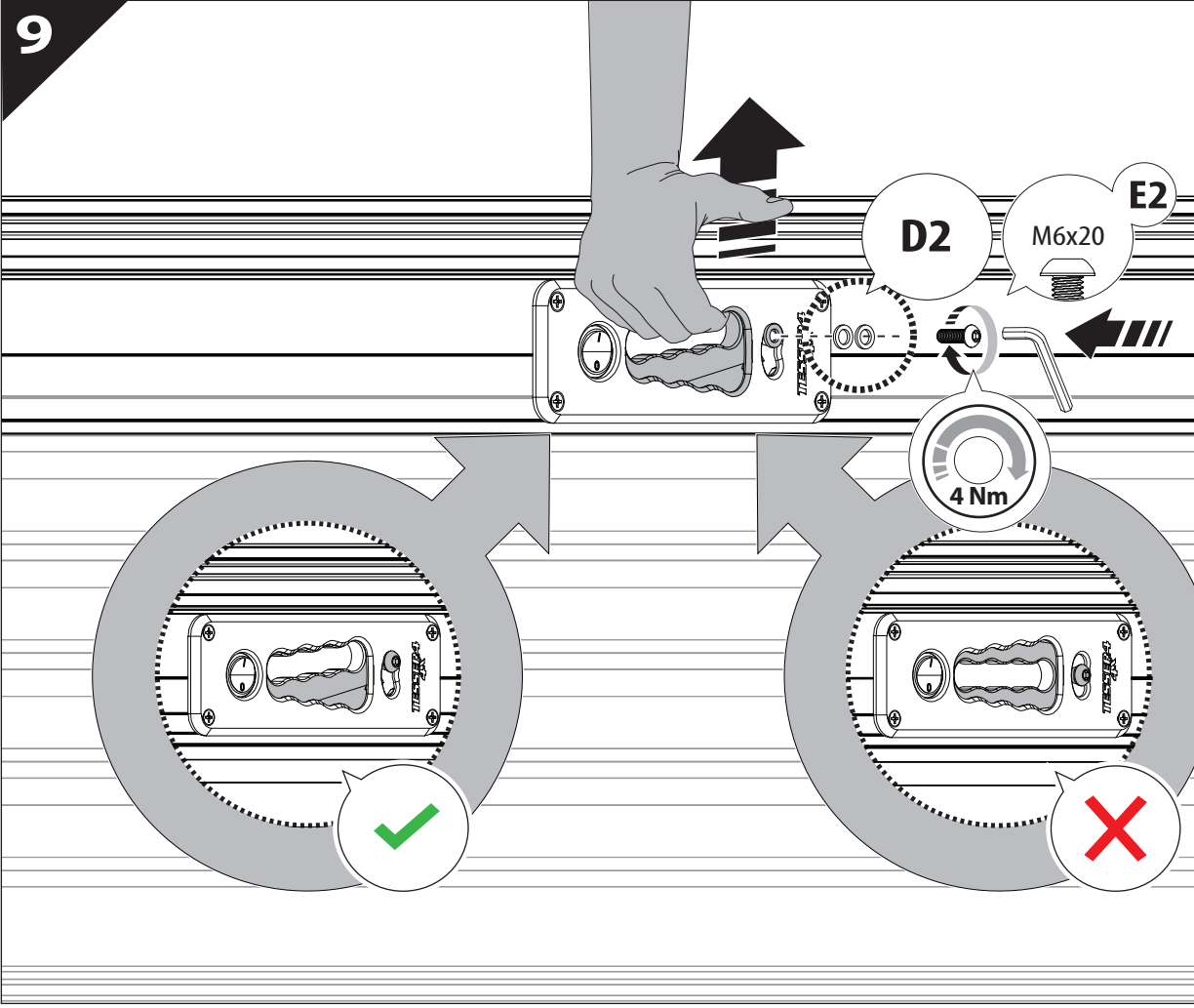
4 mm

E1

x2



9



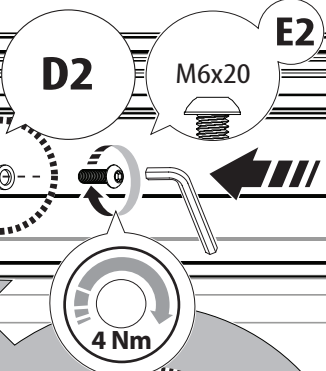
E2

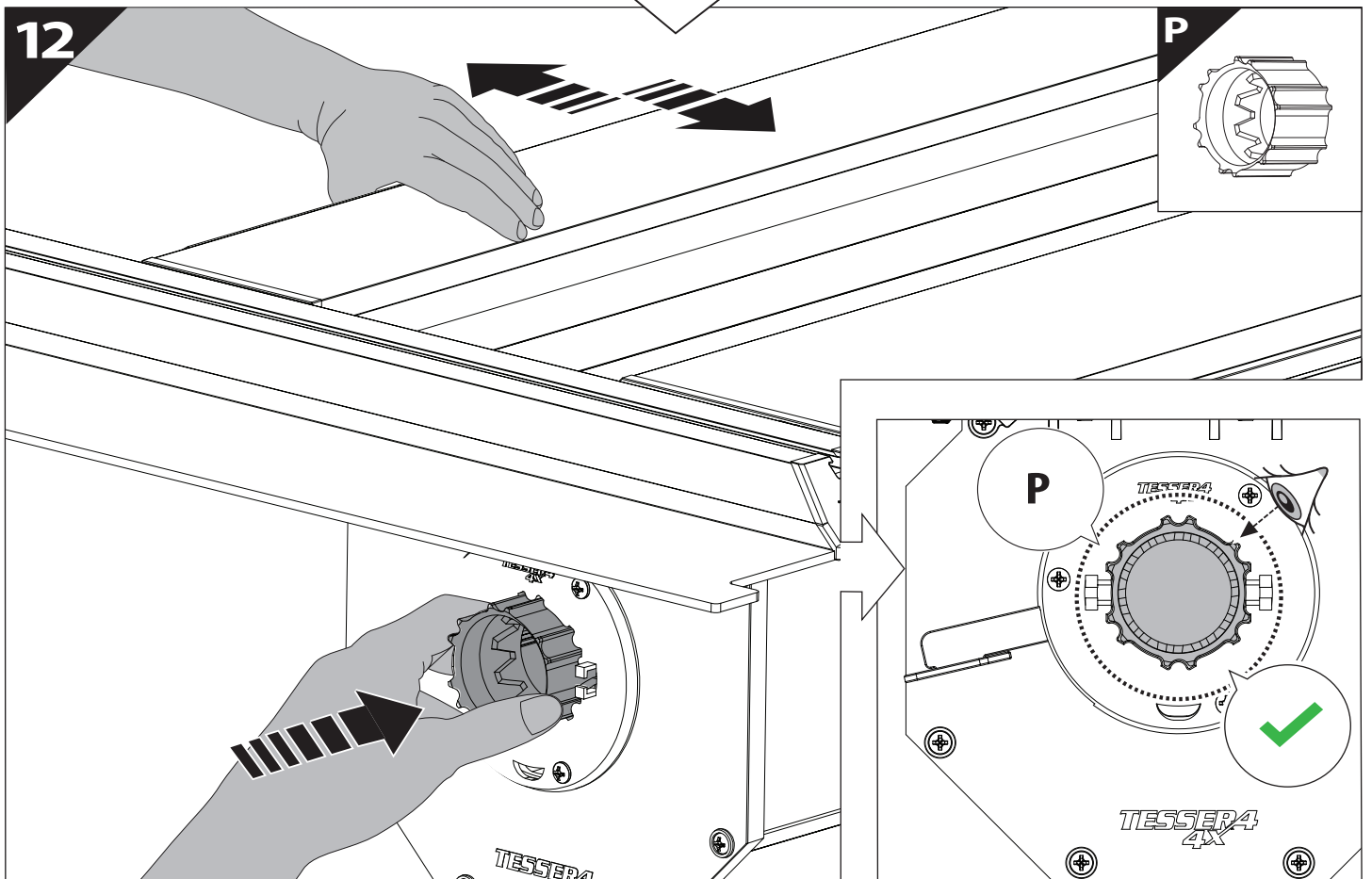
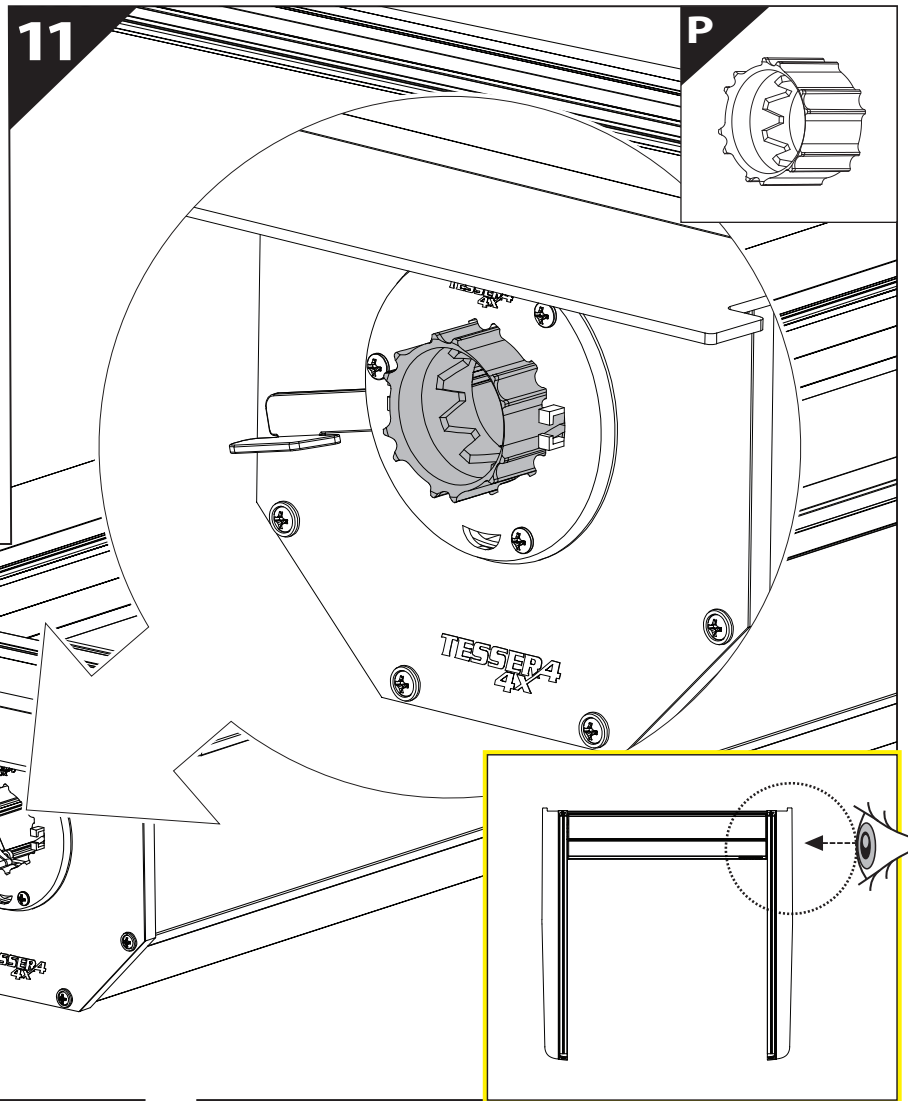
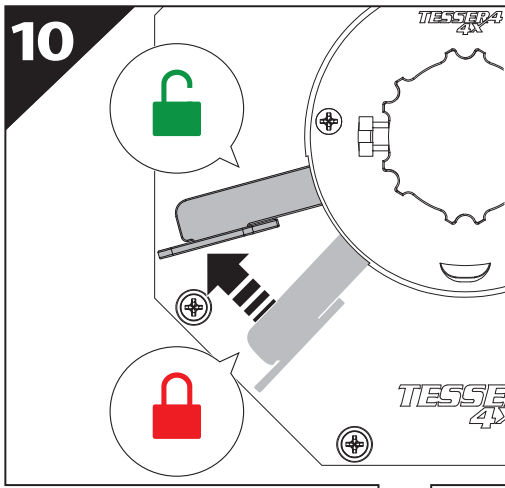
x1

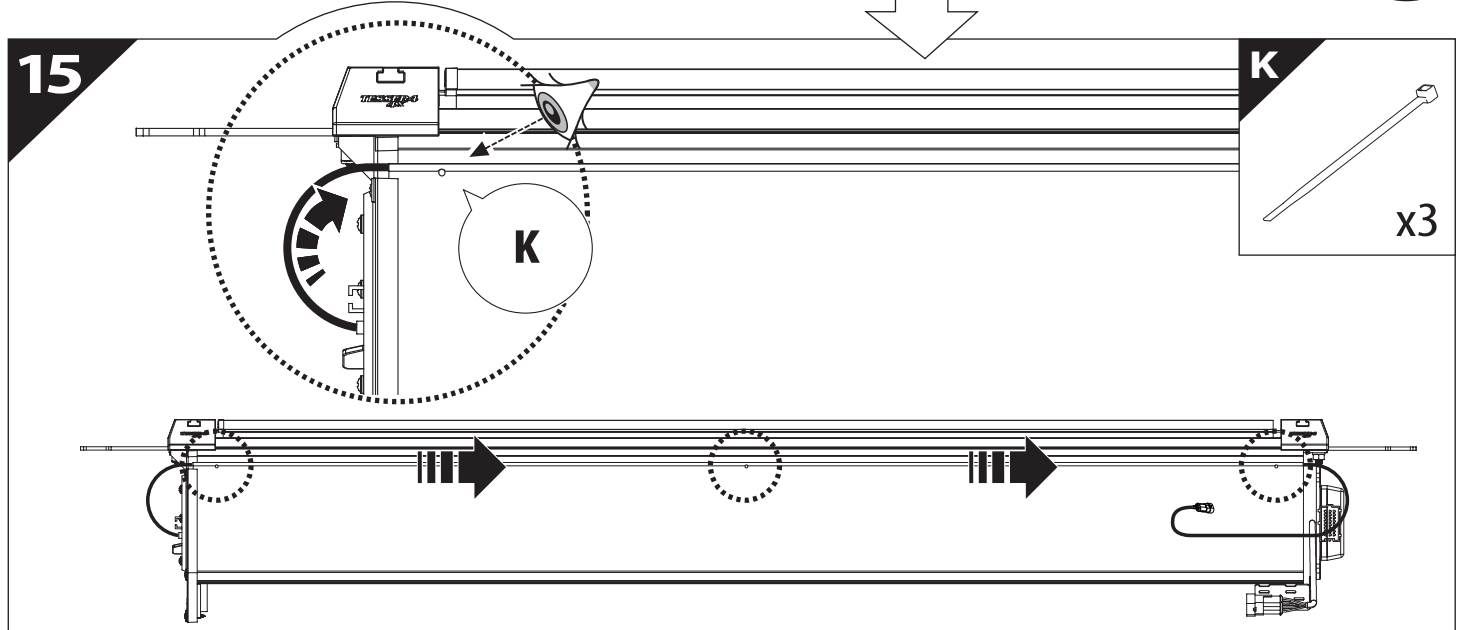
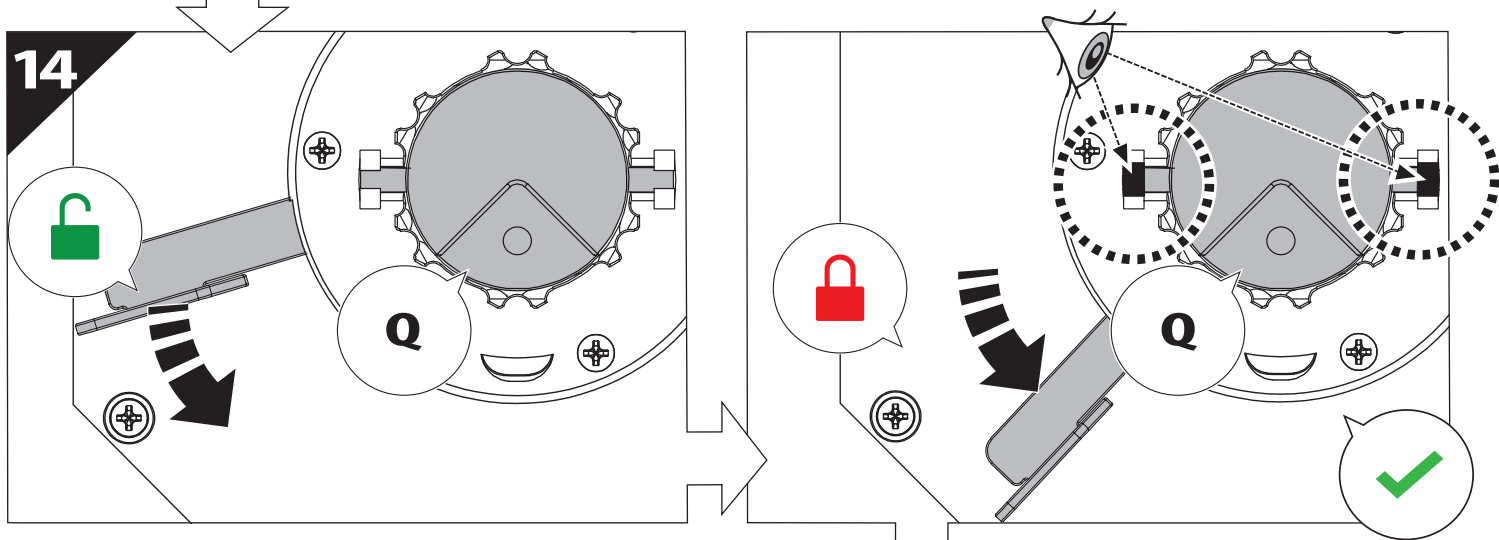
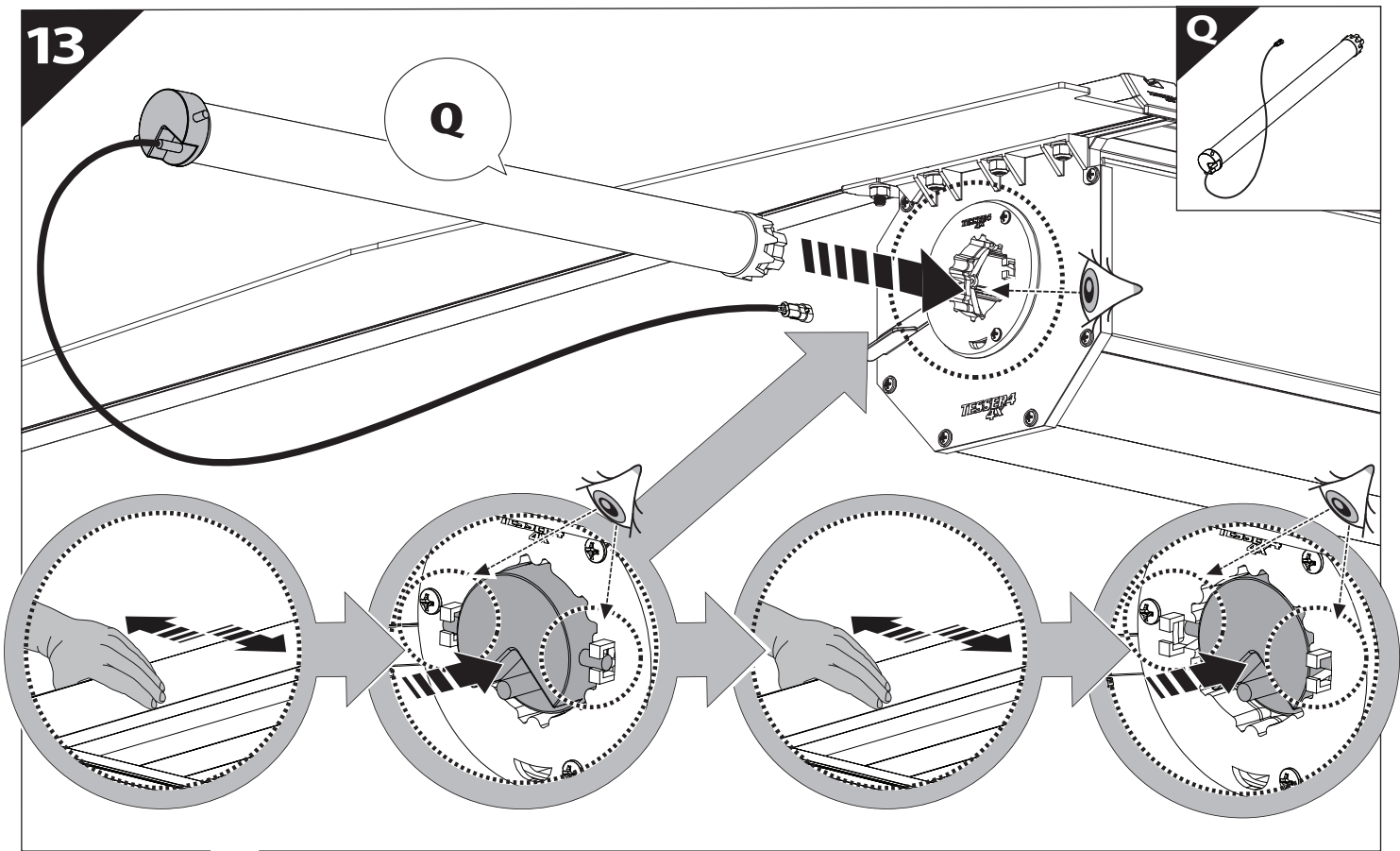
D2

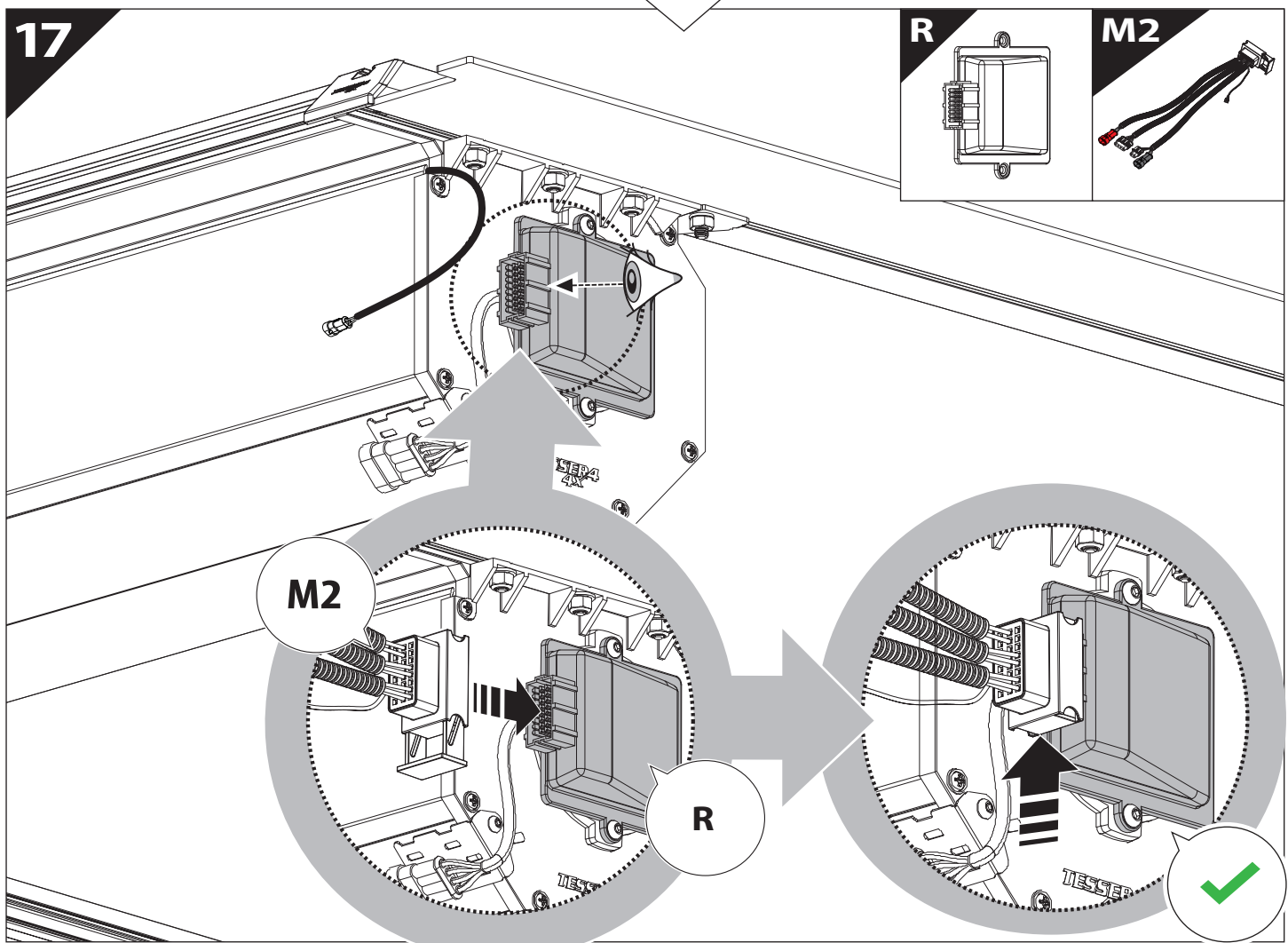
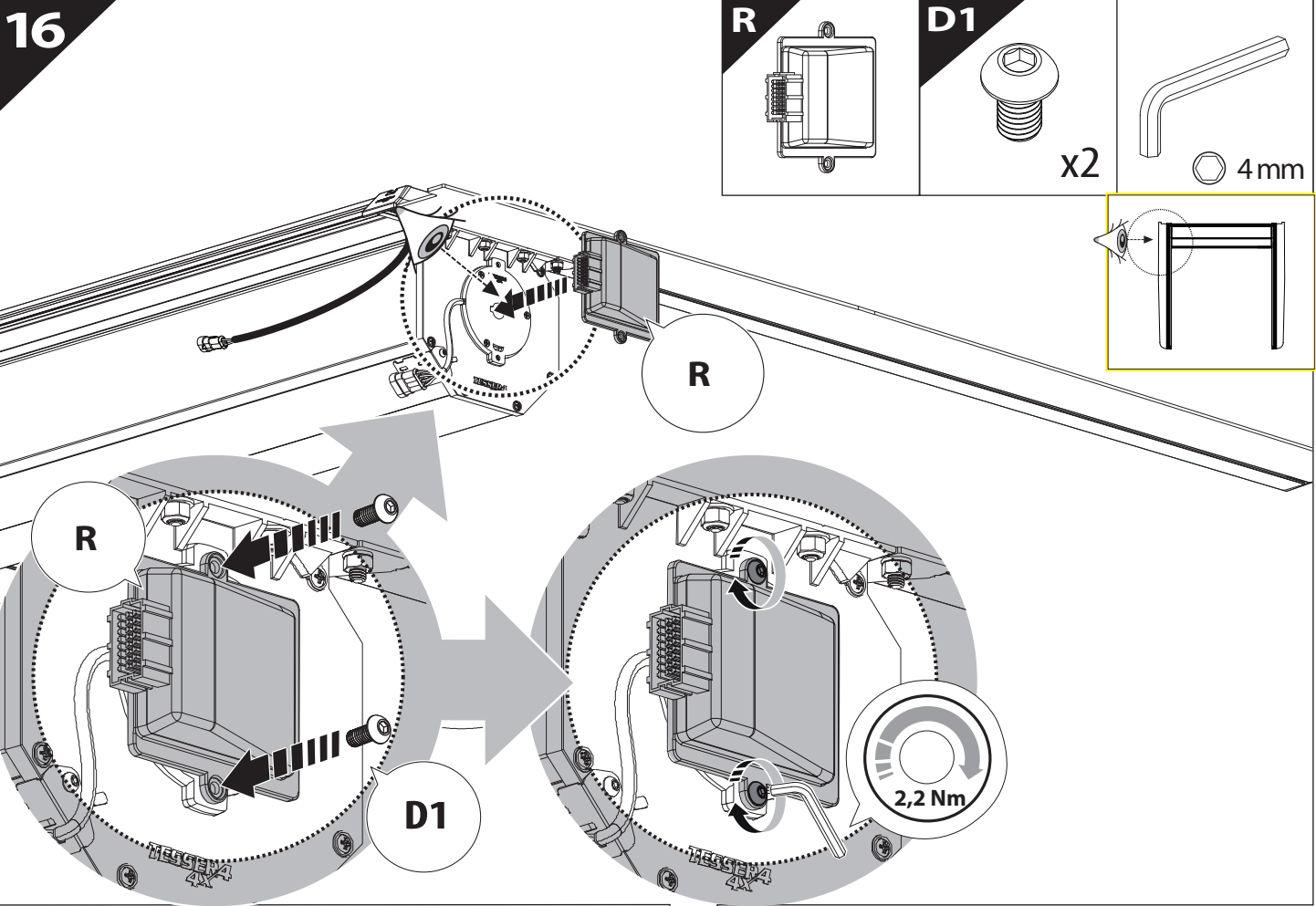
x1

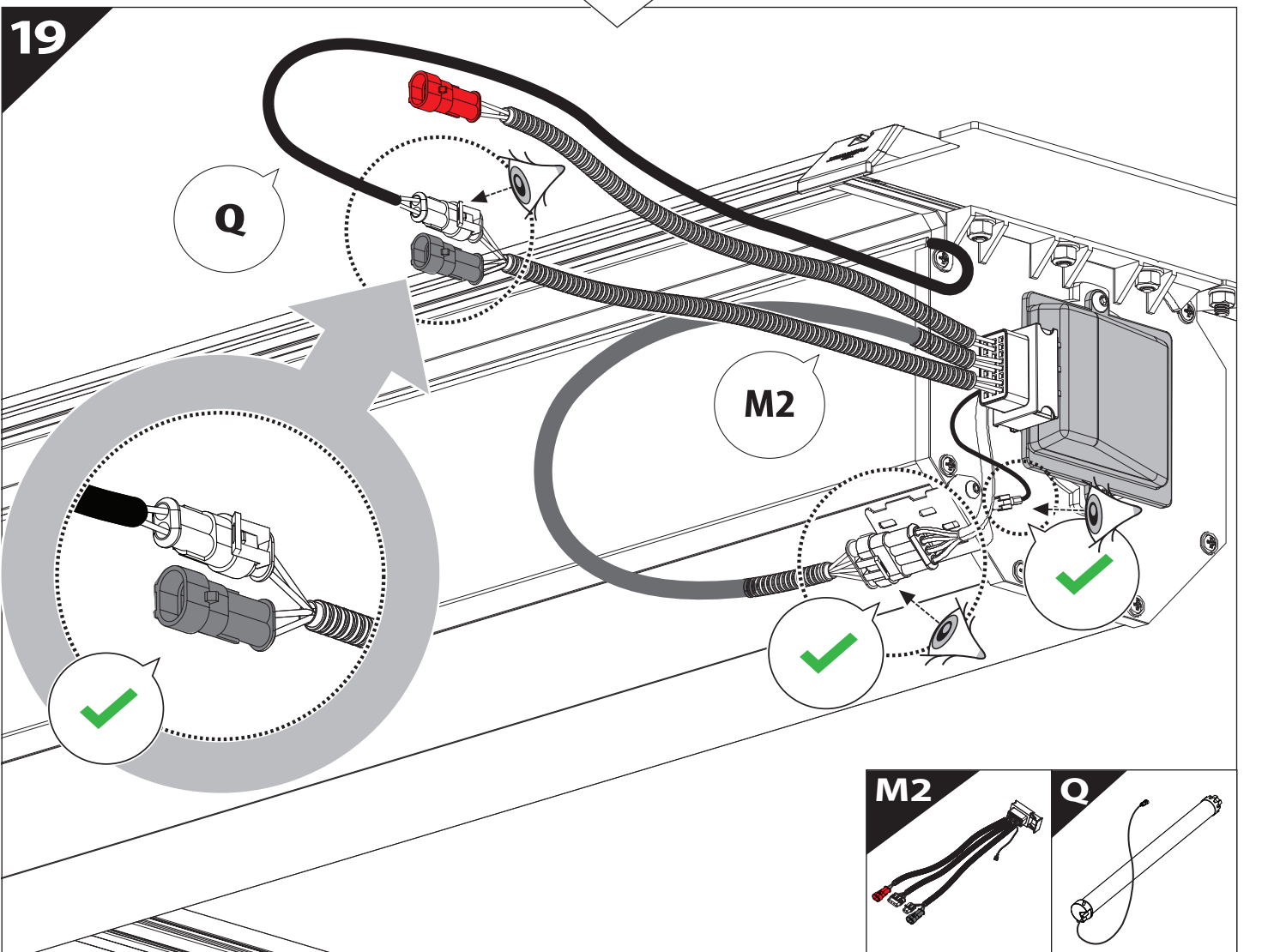
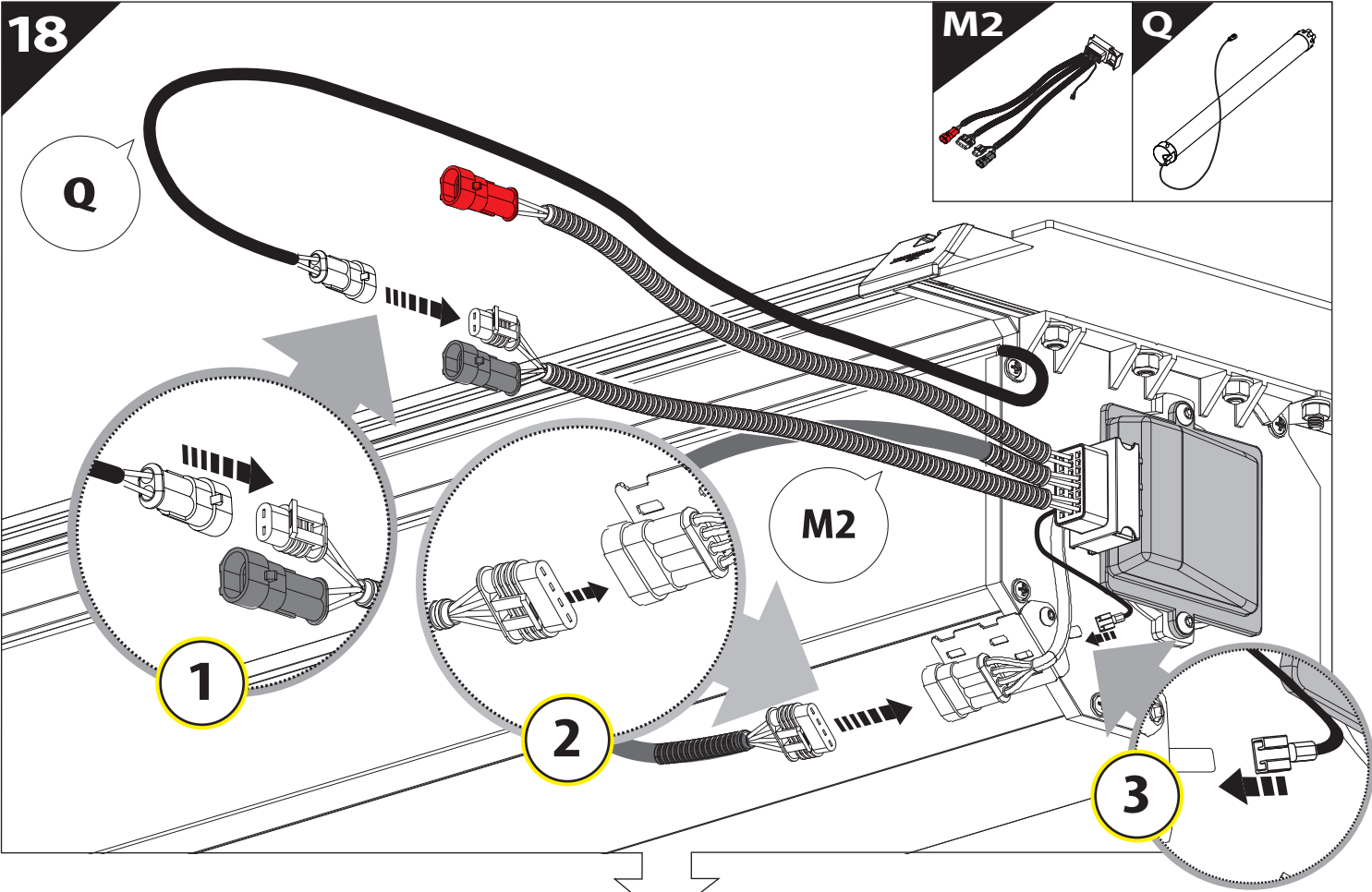
4 mm





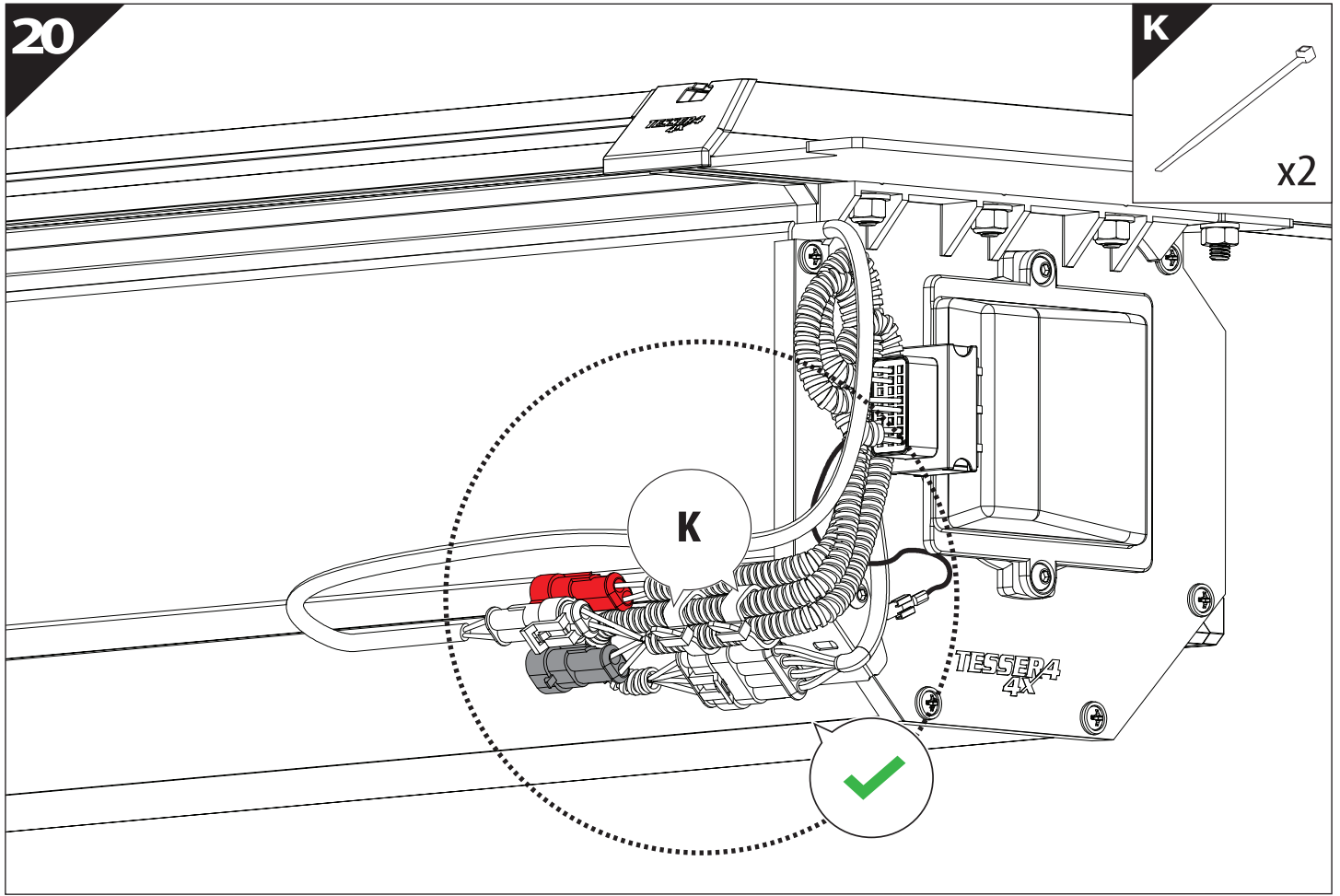






20

K



x2

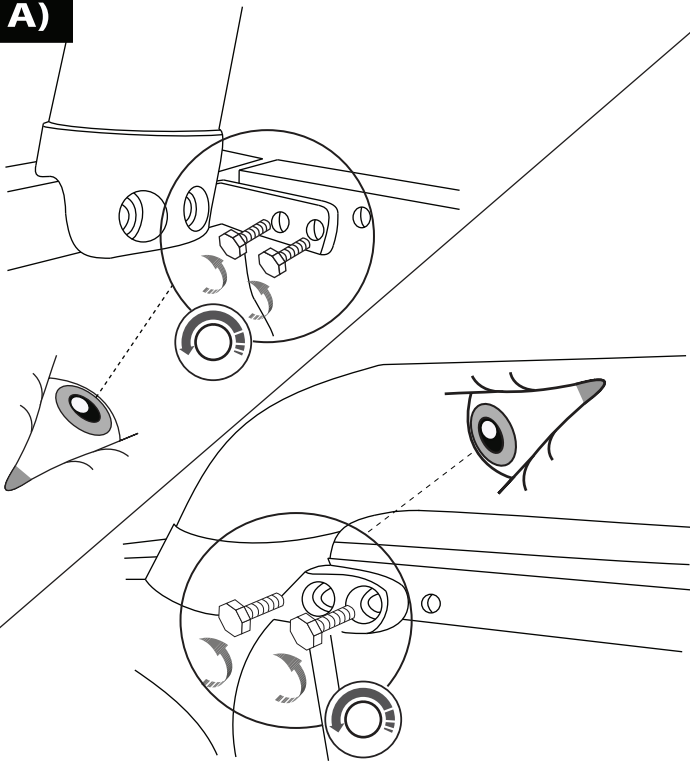
K



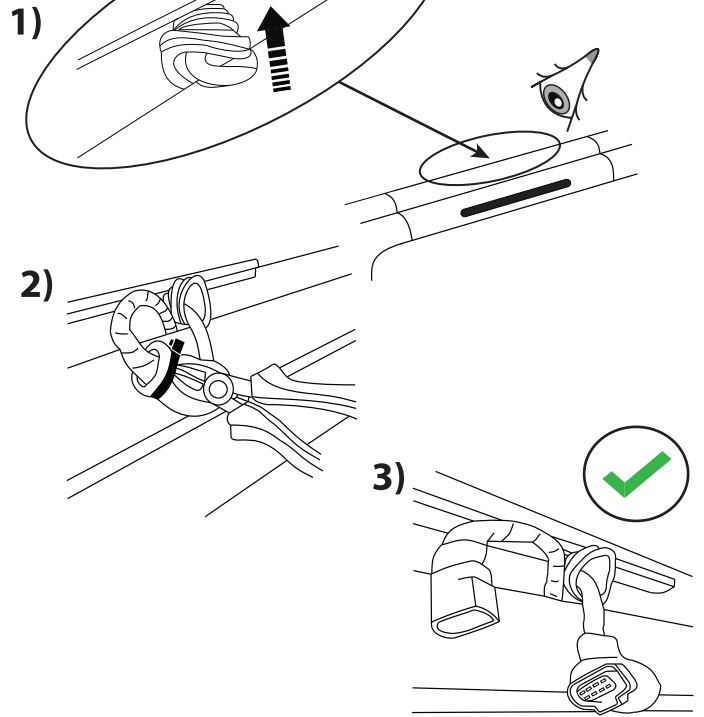
TESSERA
4X

20.1

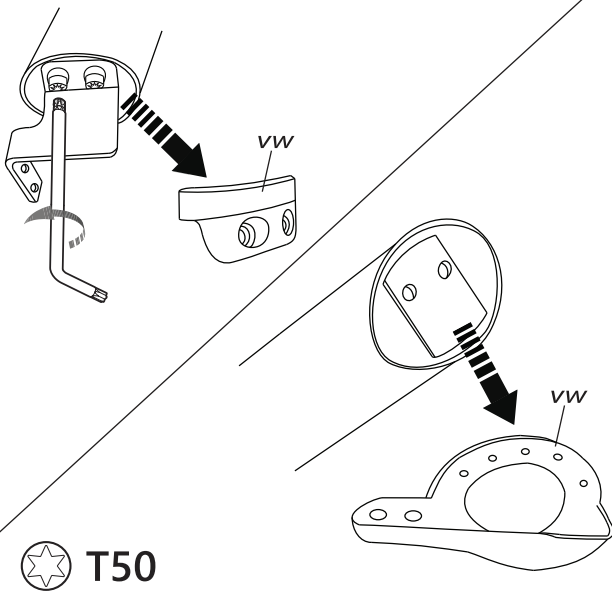
A)



B)

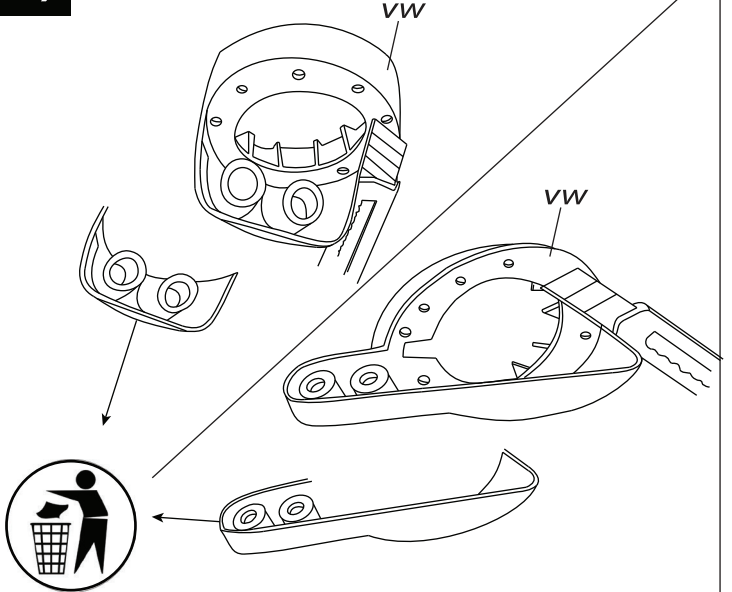


C)

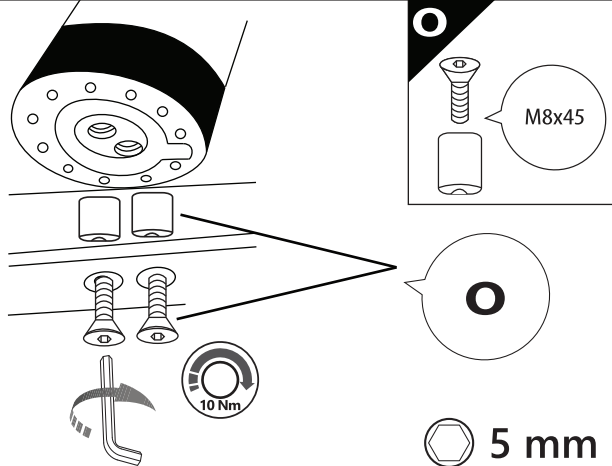


T50

D)



E)

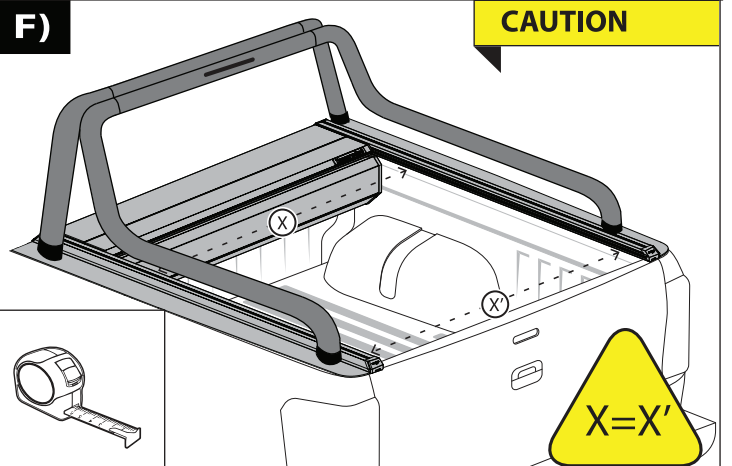


M8x45

O

5 mm

F)

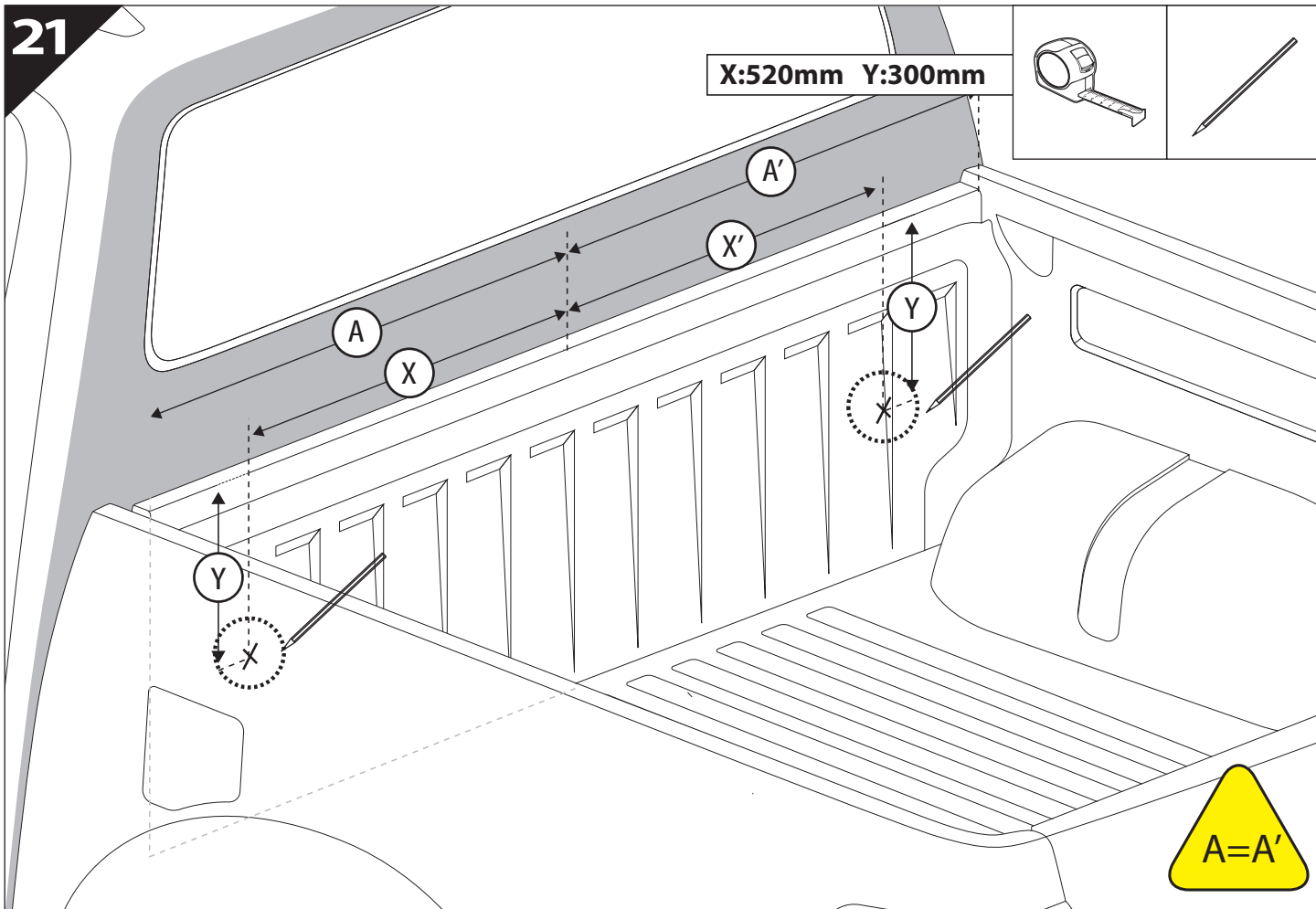
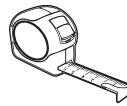


CAUTION

X=X'

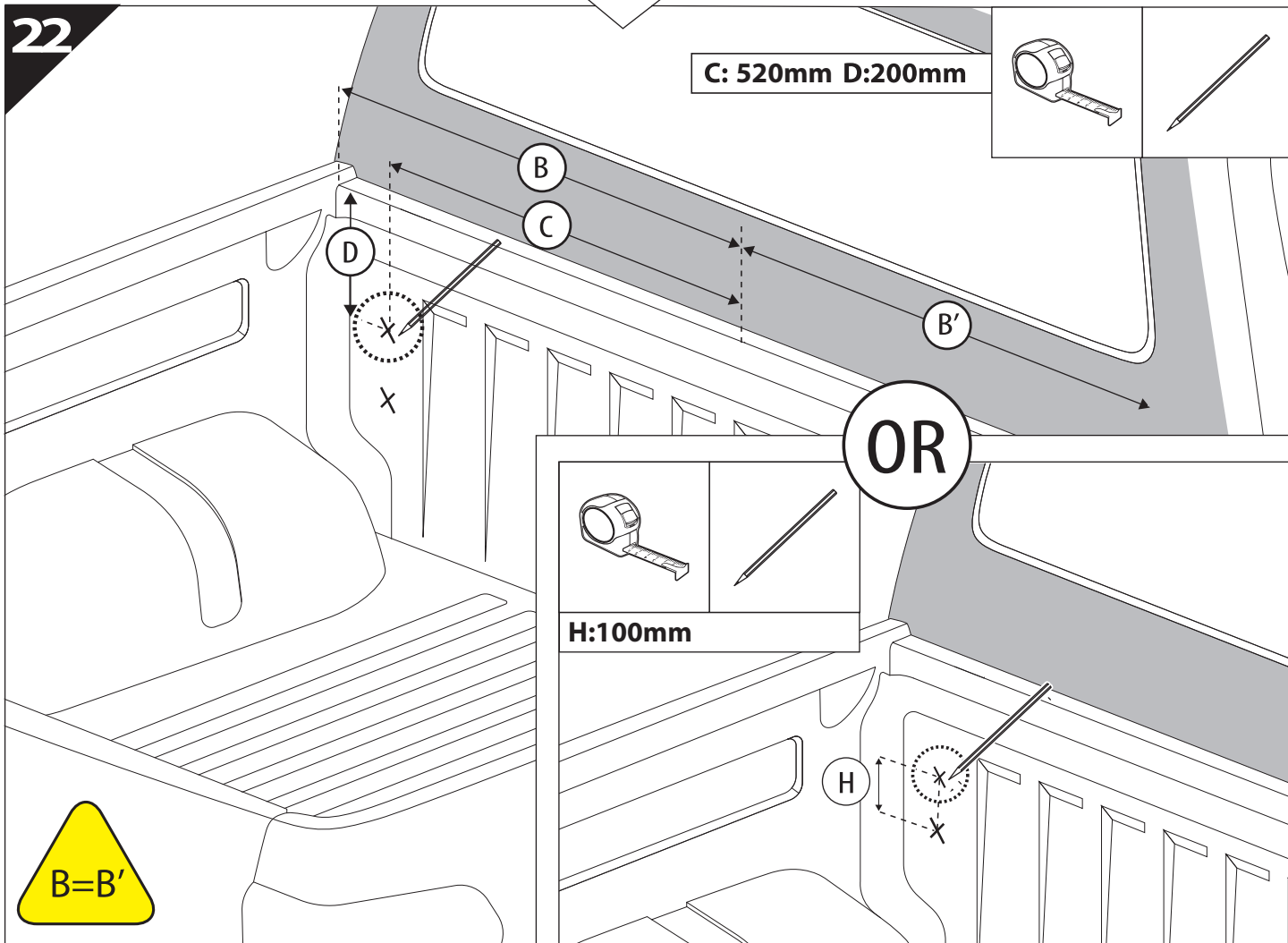
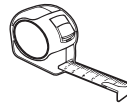
21

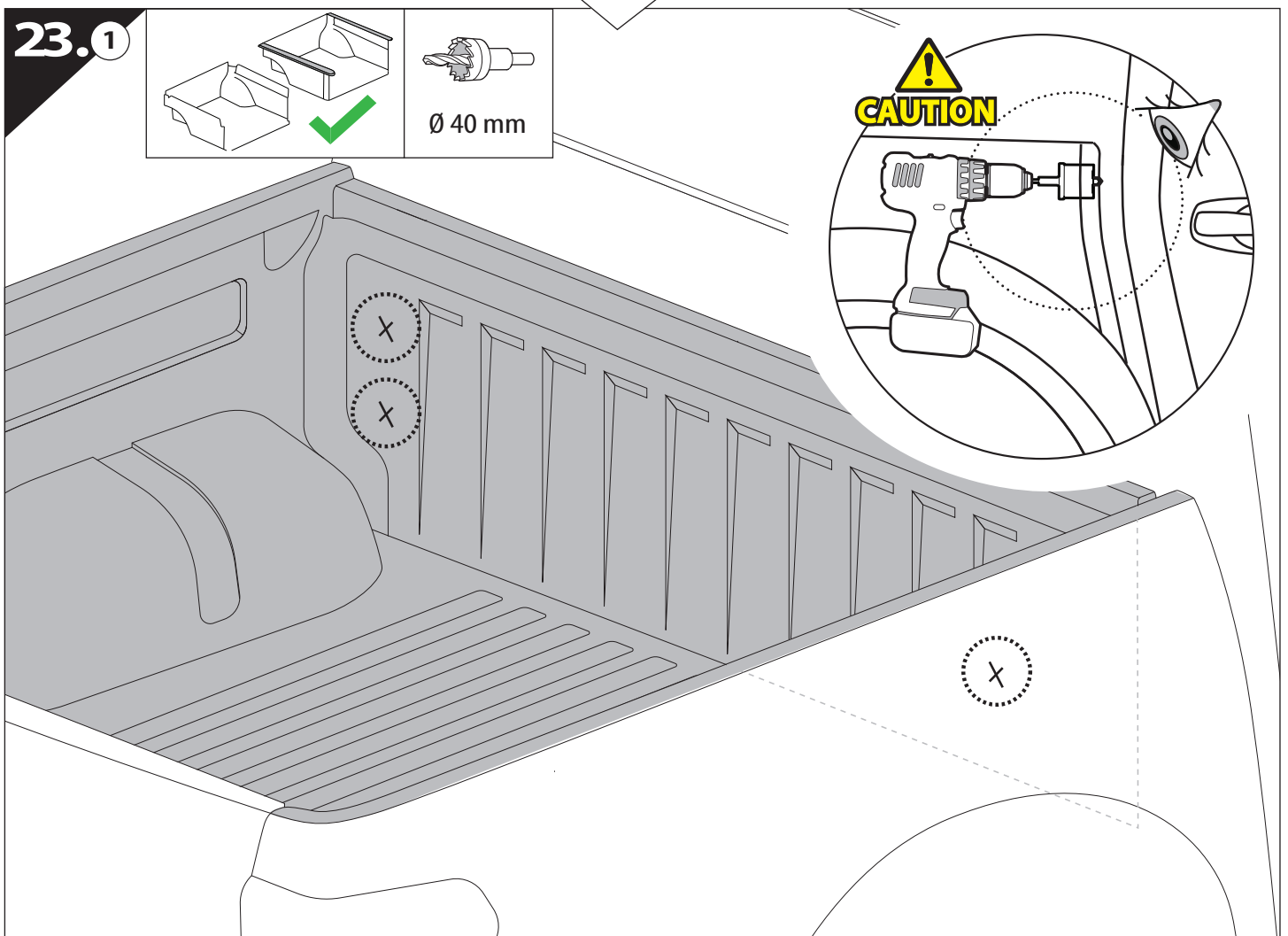
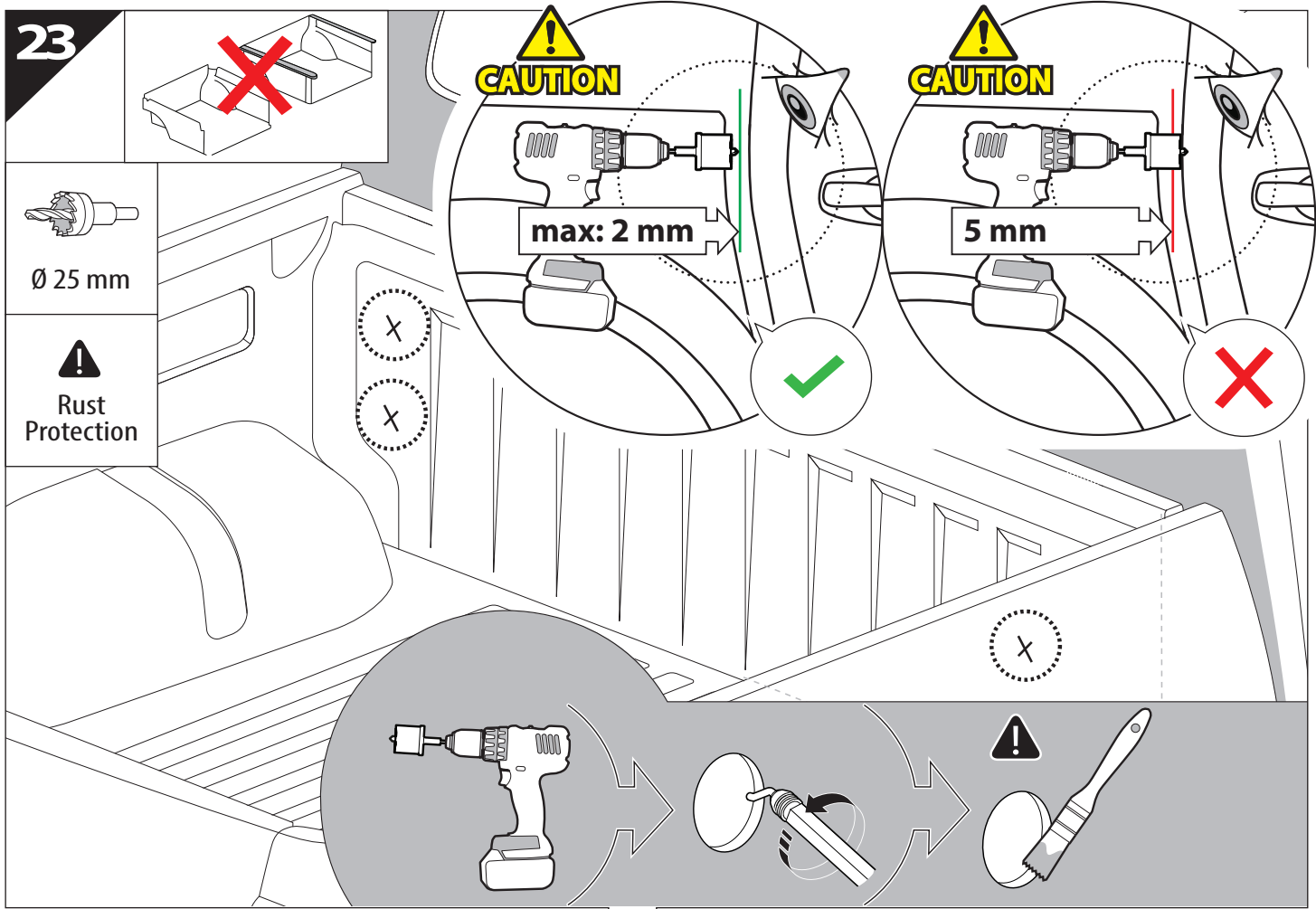
X:520mm Y:300mm



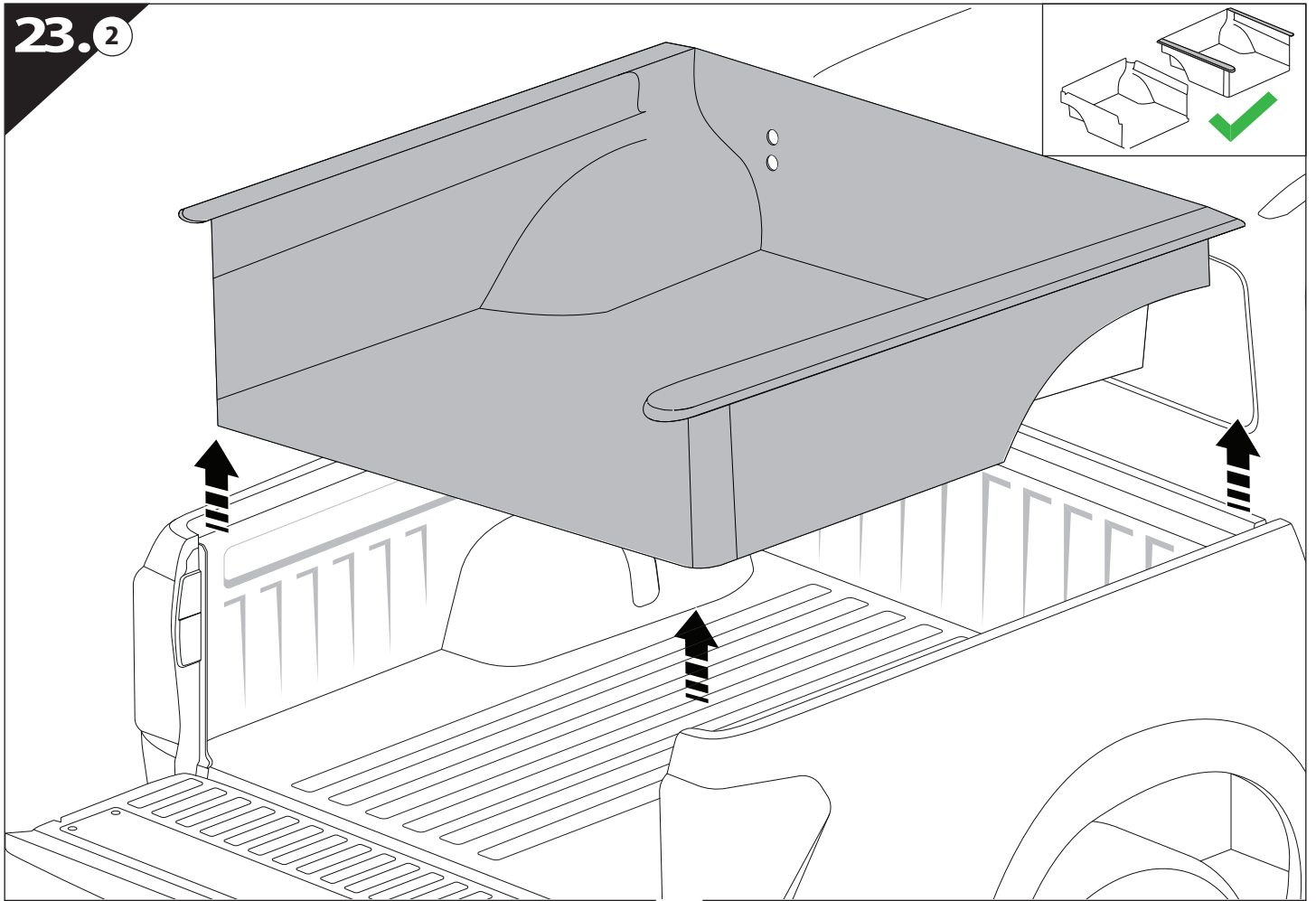
22

C: 520mm D:200mm

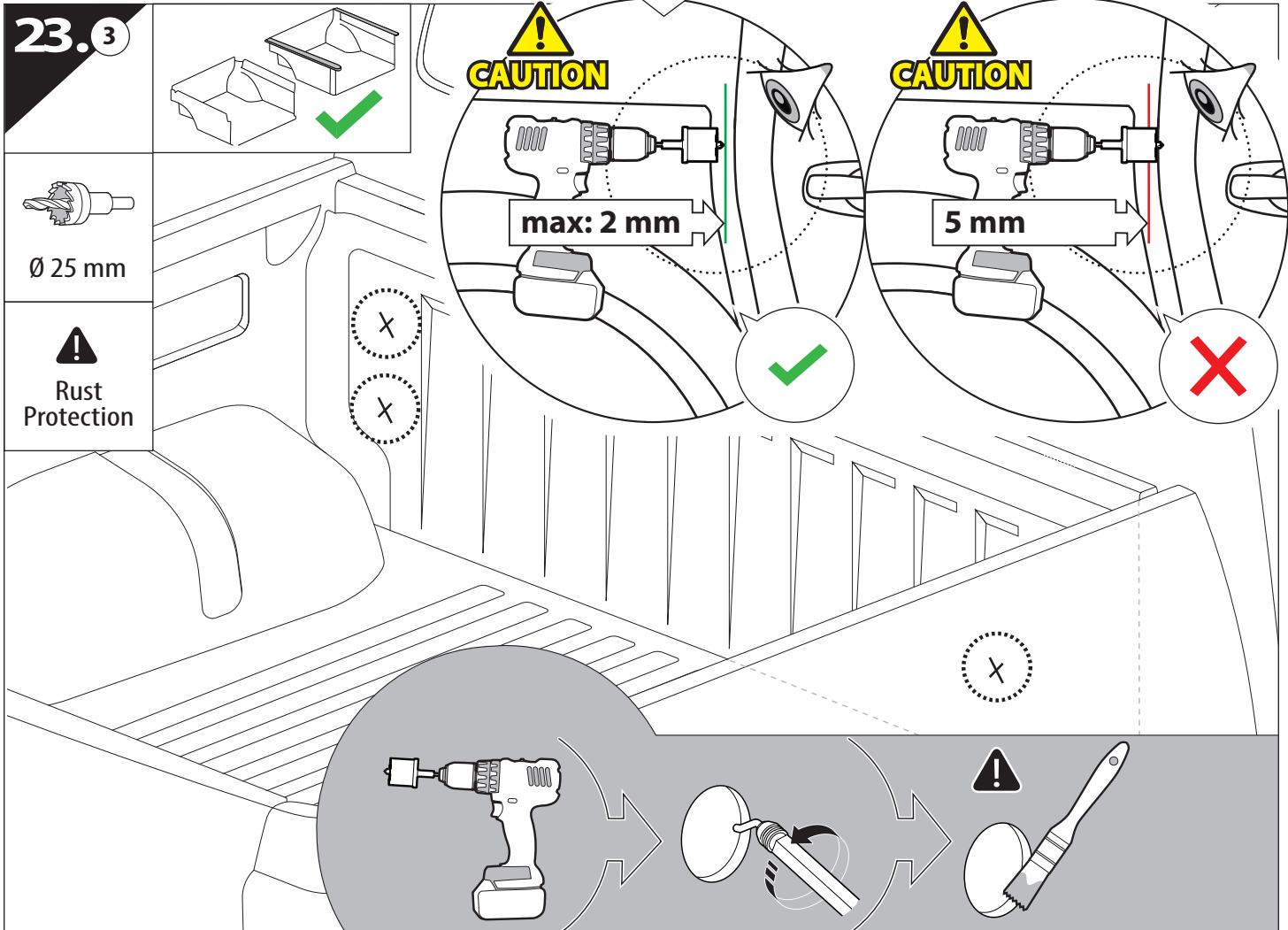


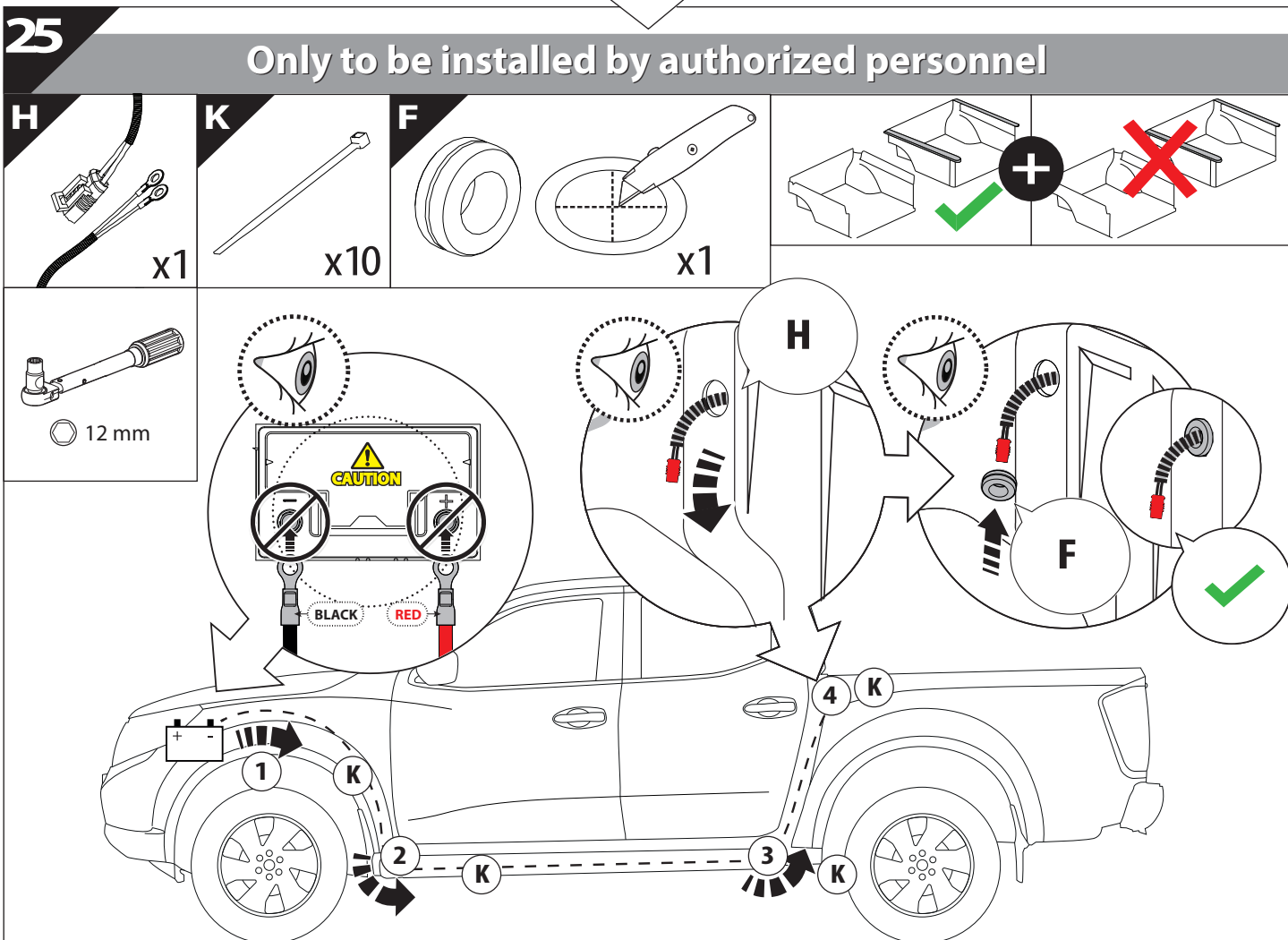
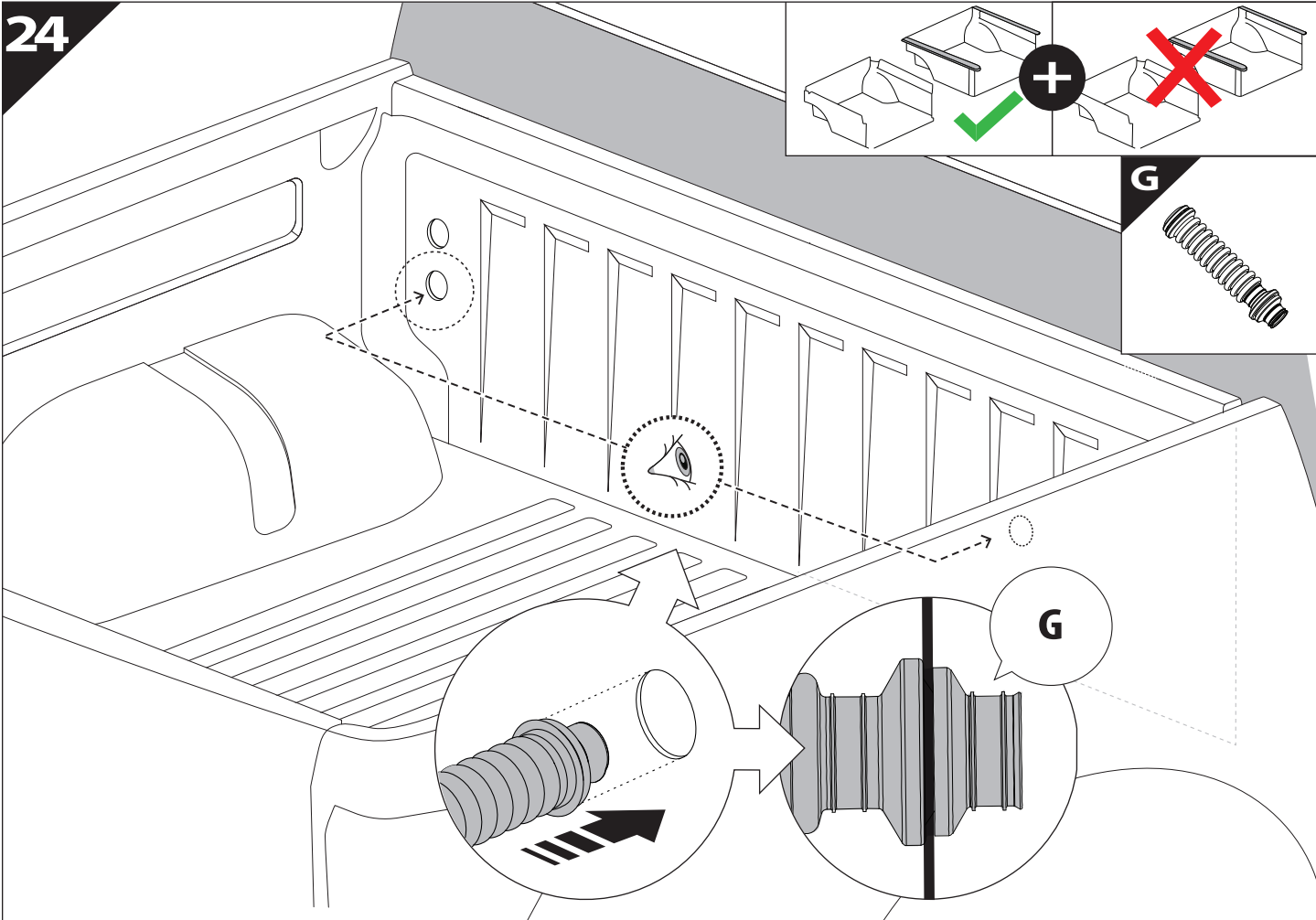


23.2

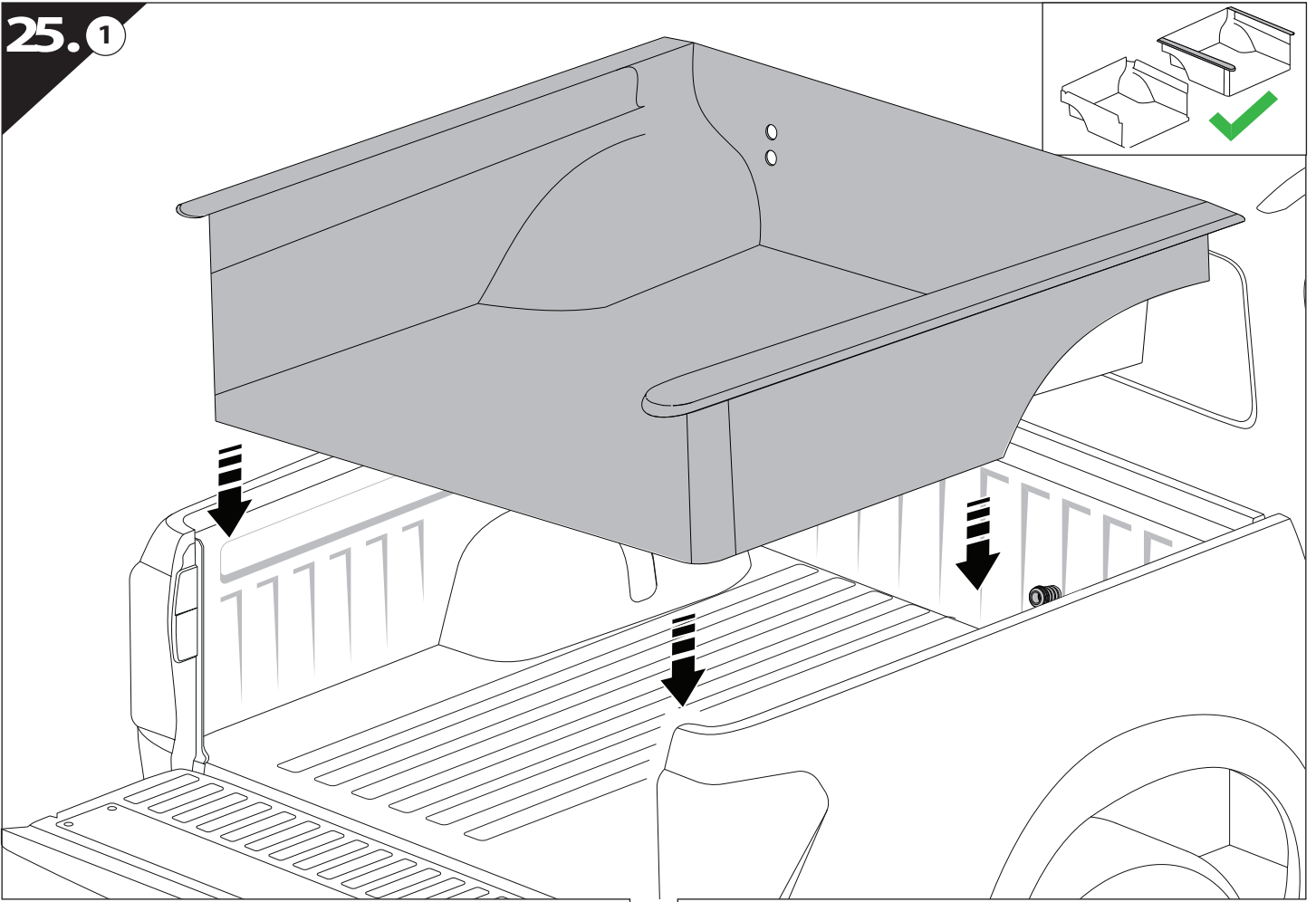


23.3

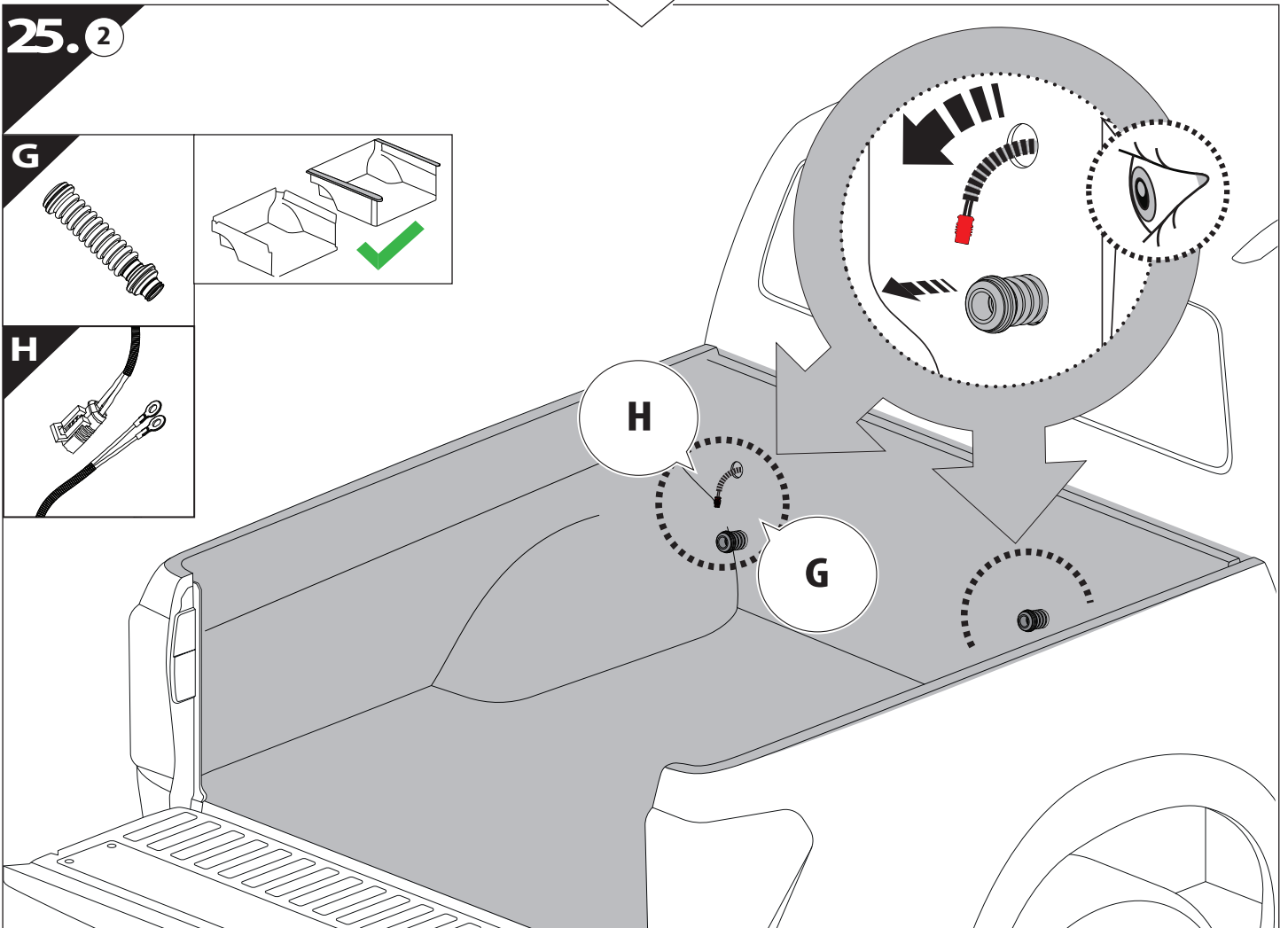




25.1

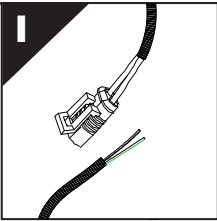


25.2

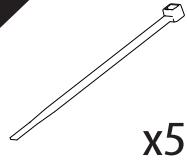


26

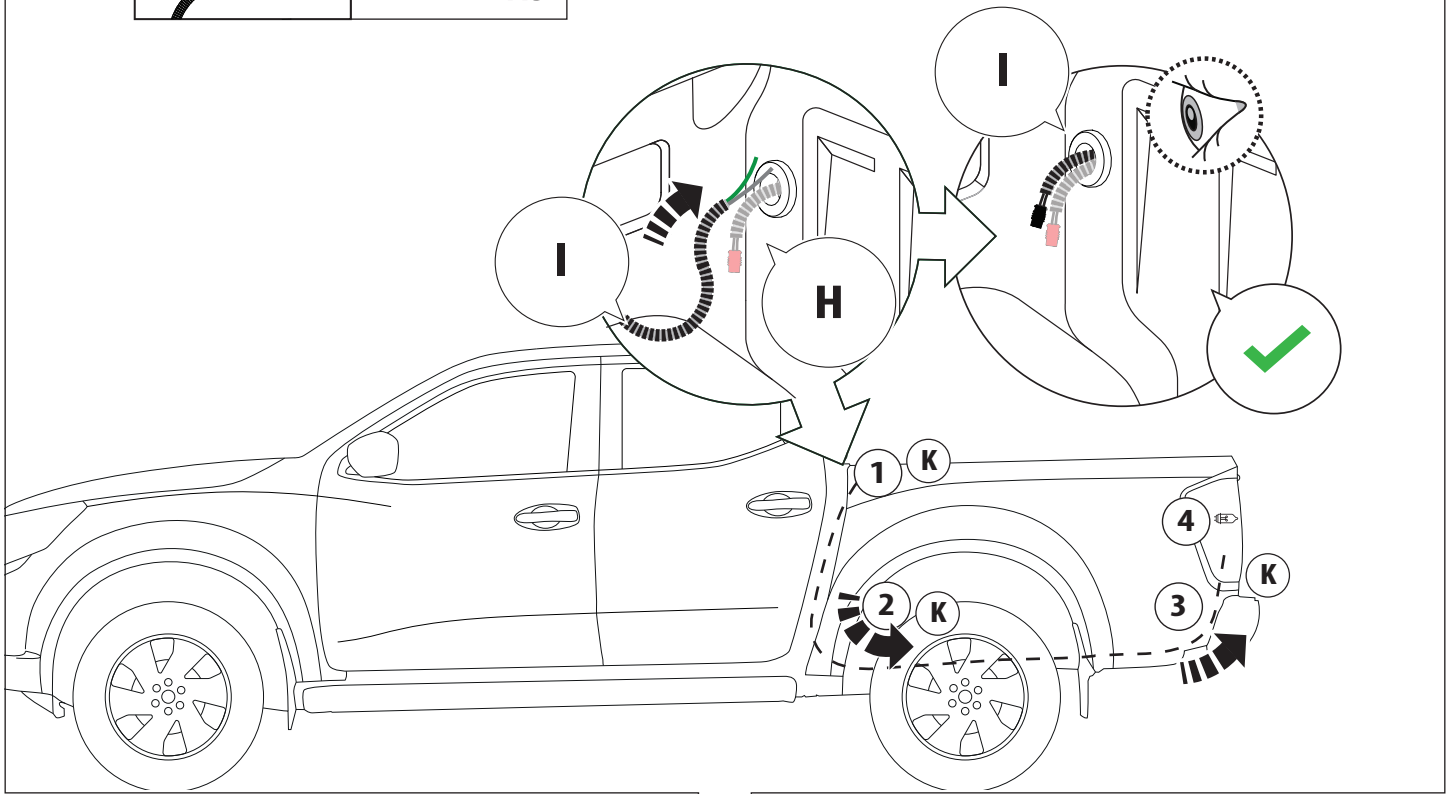
I



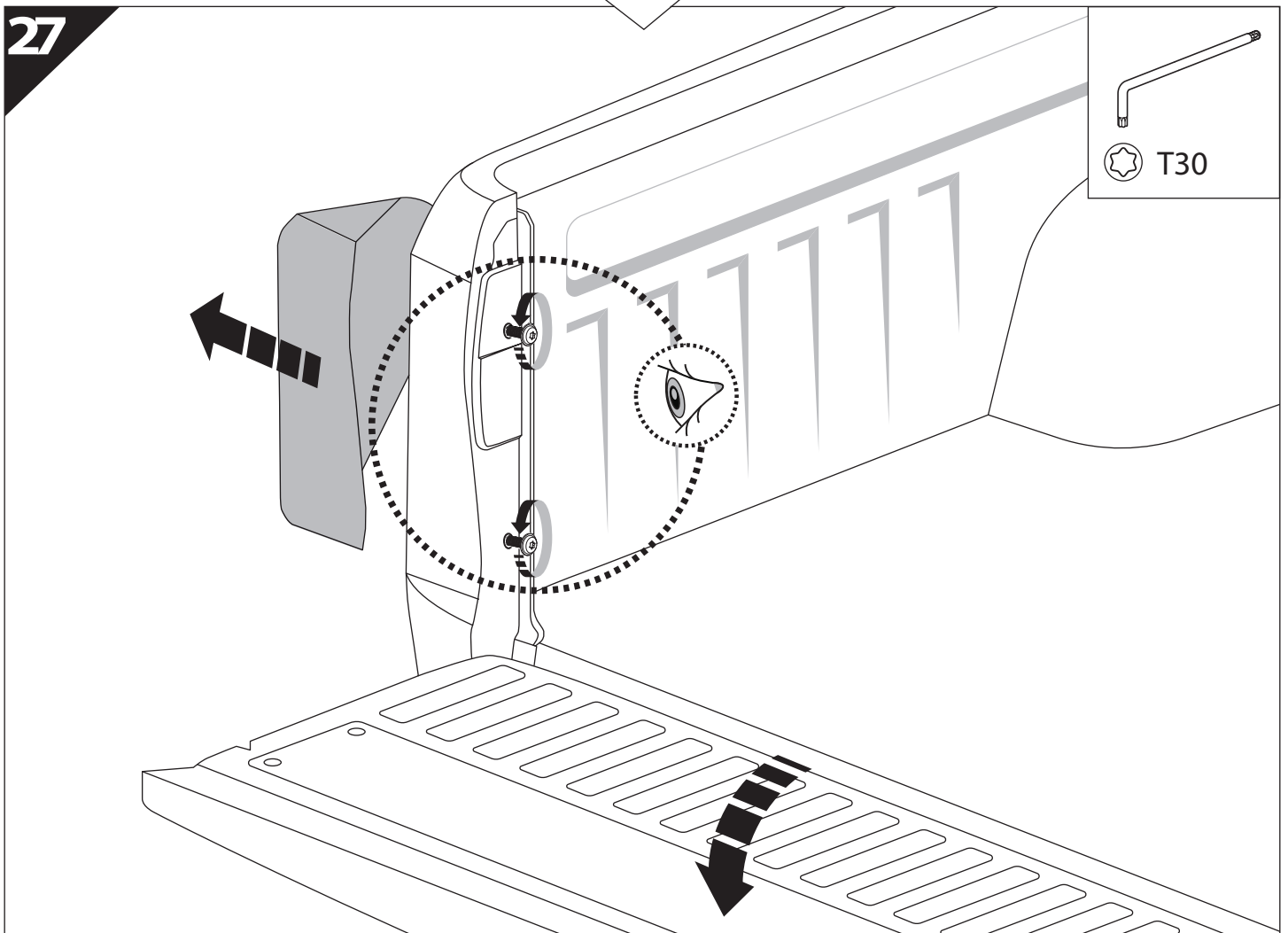
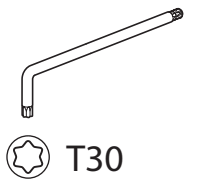
K

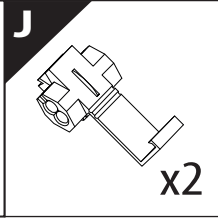
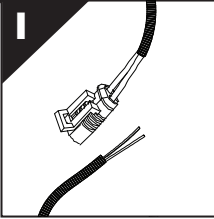


x5

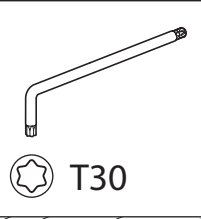


27

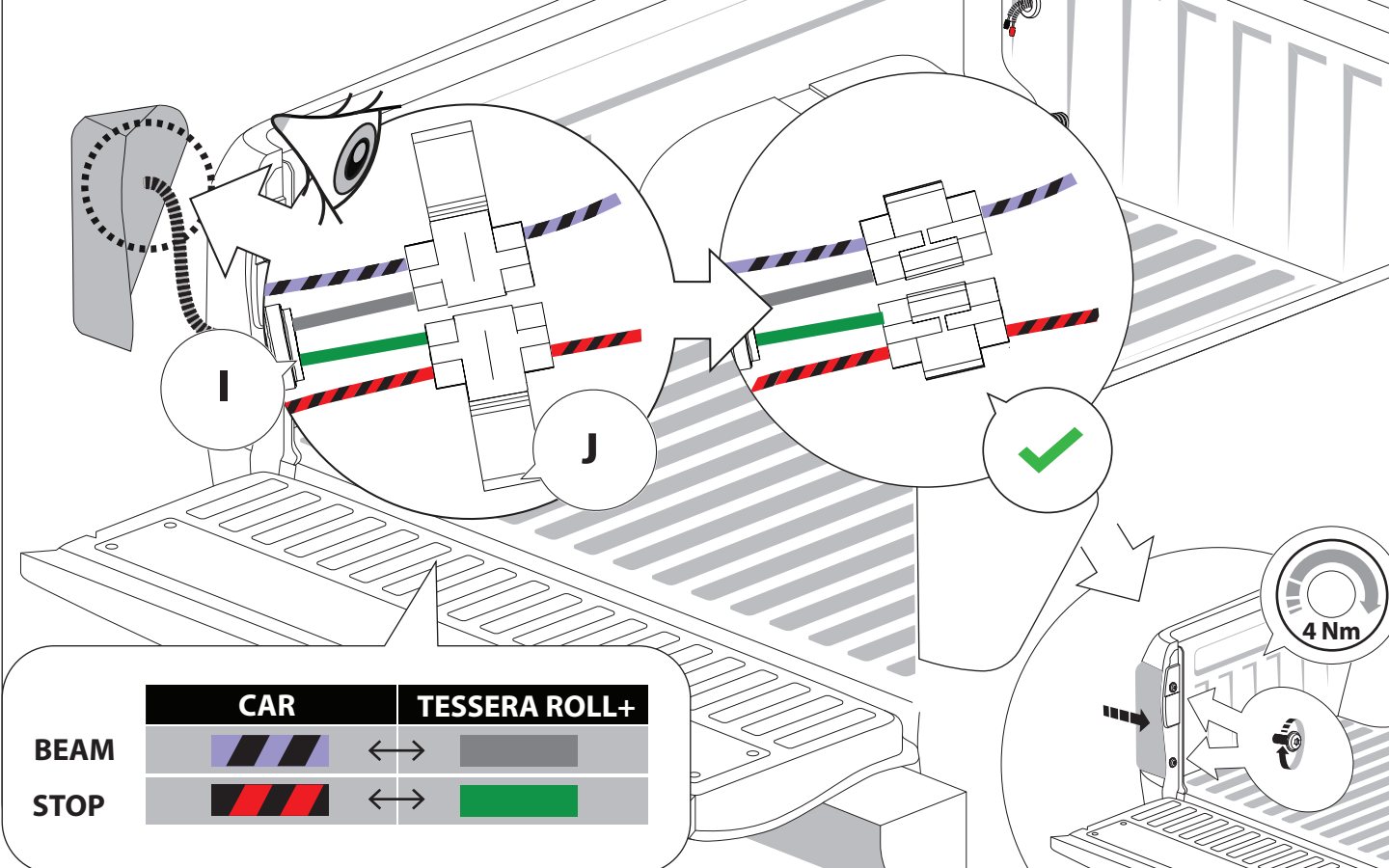
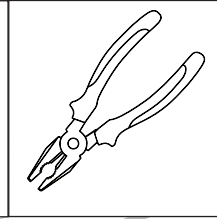


28

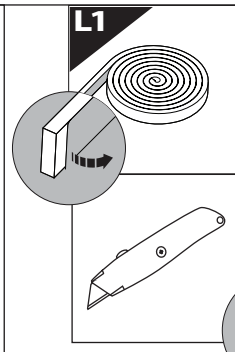
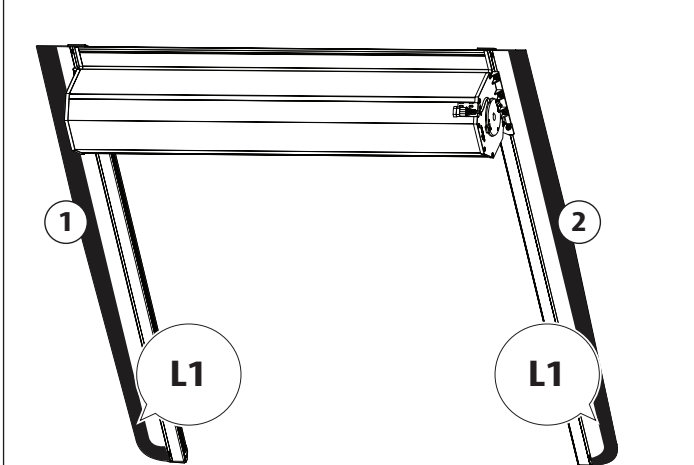
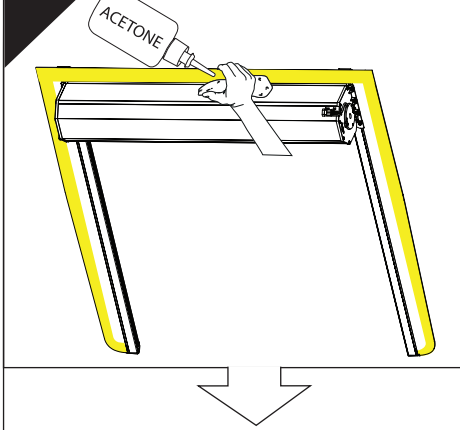
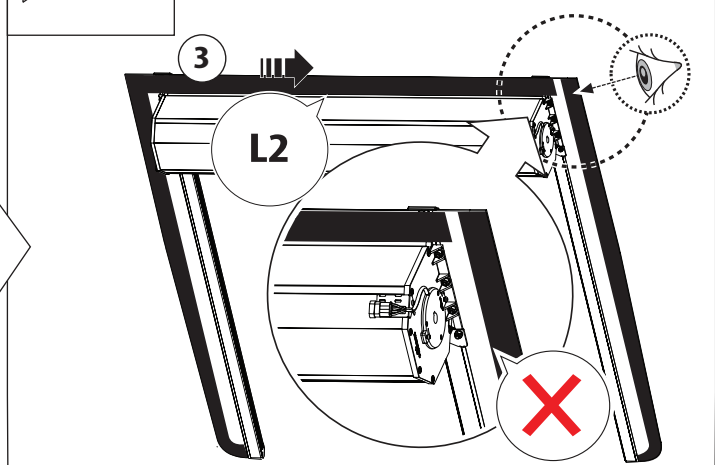
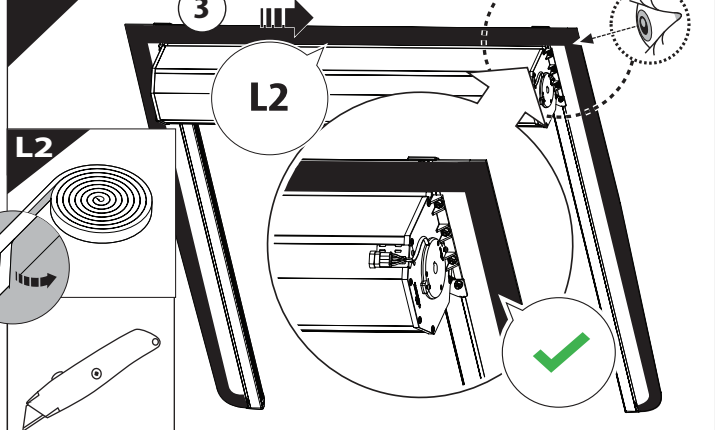
x2

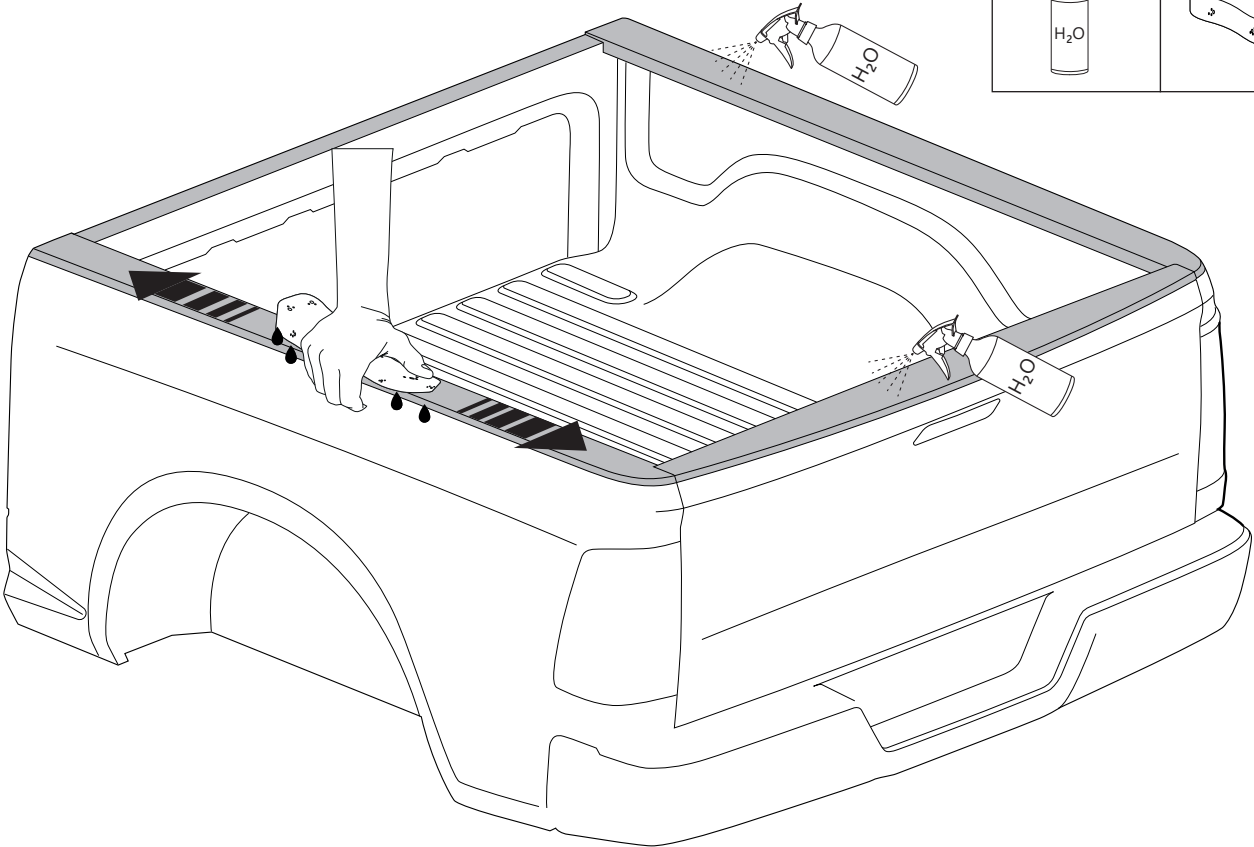
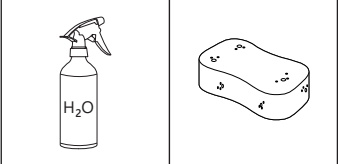


T30

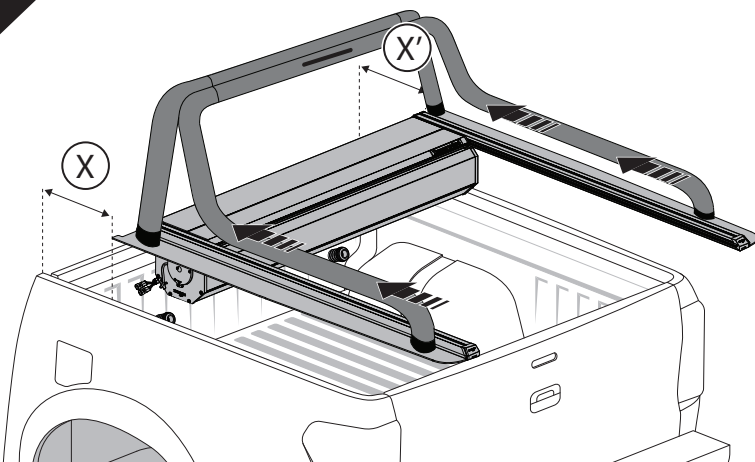


	CAR		TESSERA ROLL+
BEAM		↔	
STOP		↔	

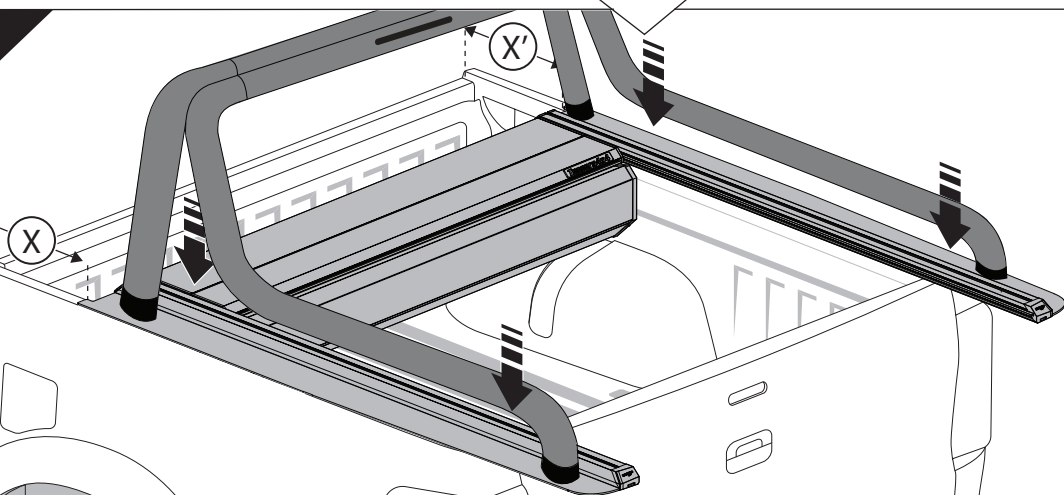
29**30**



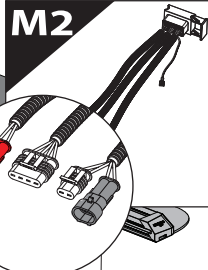
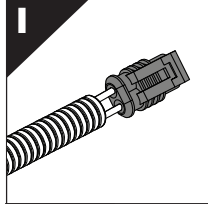
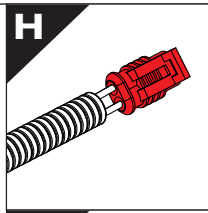
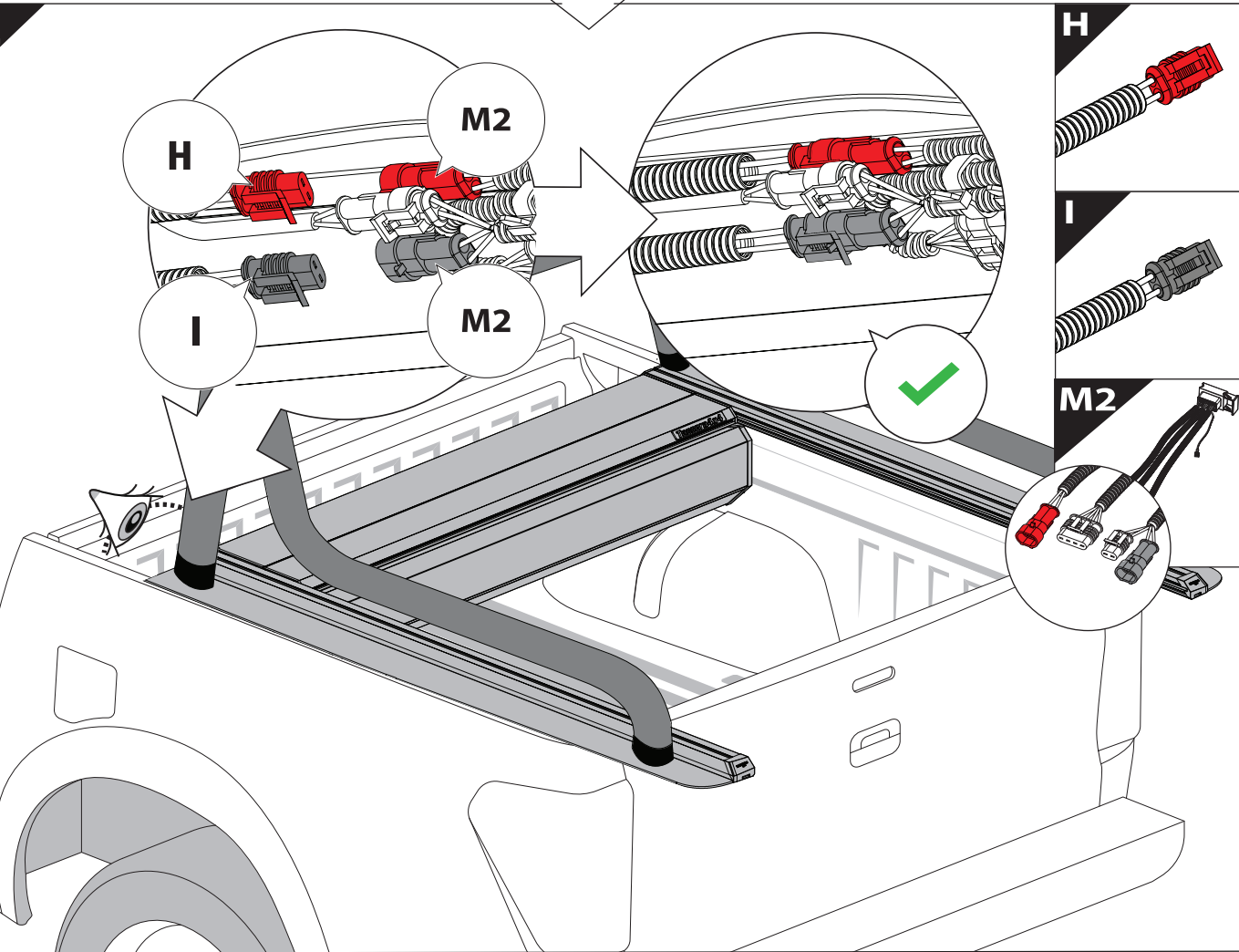
32



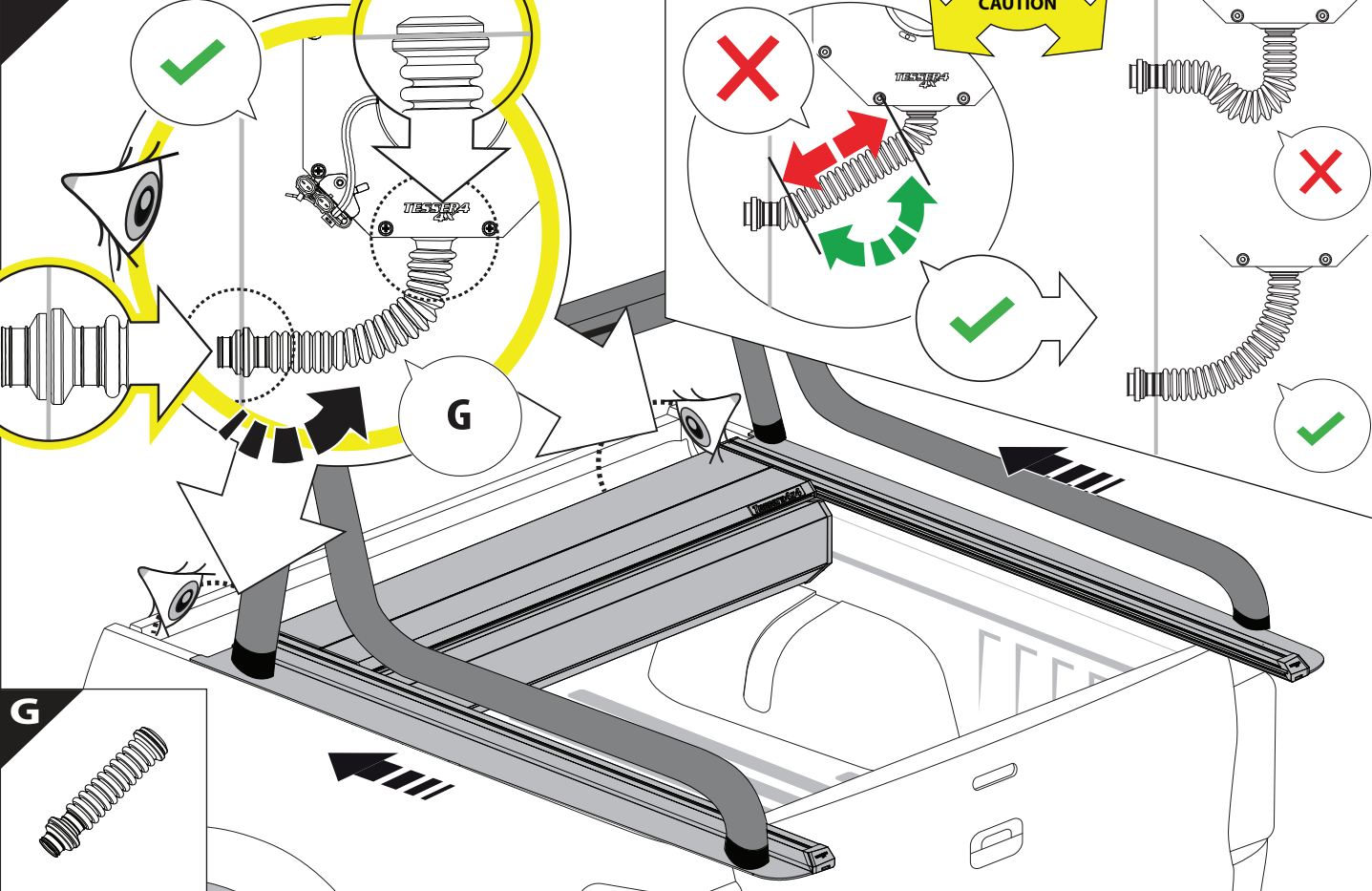
33



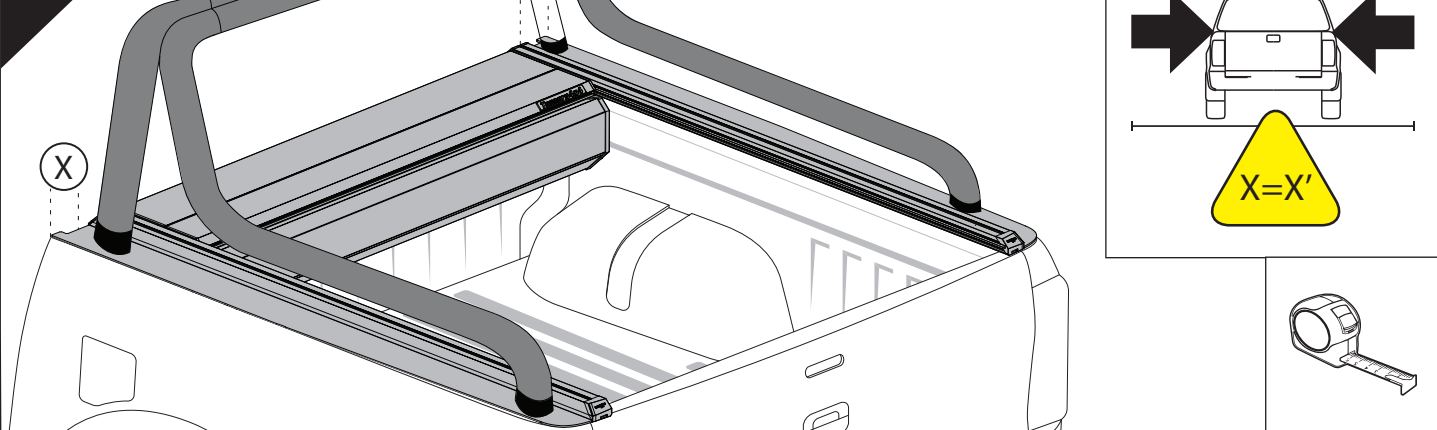
34



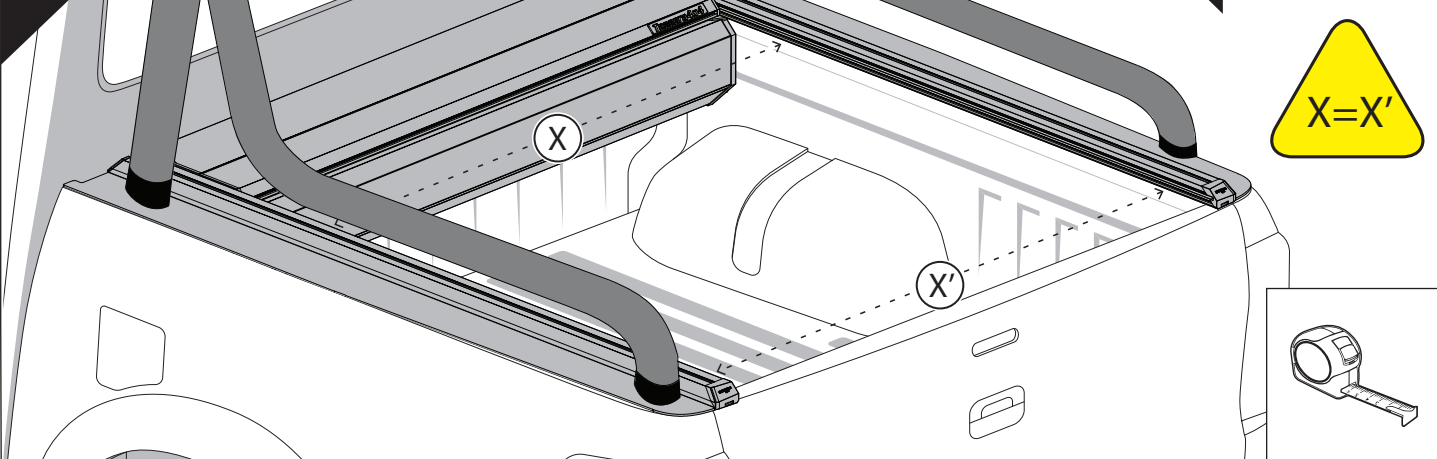
35



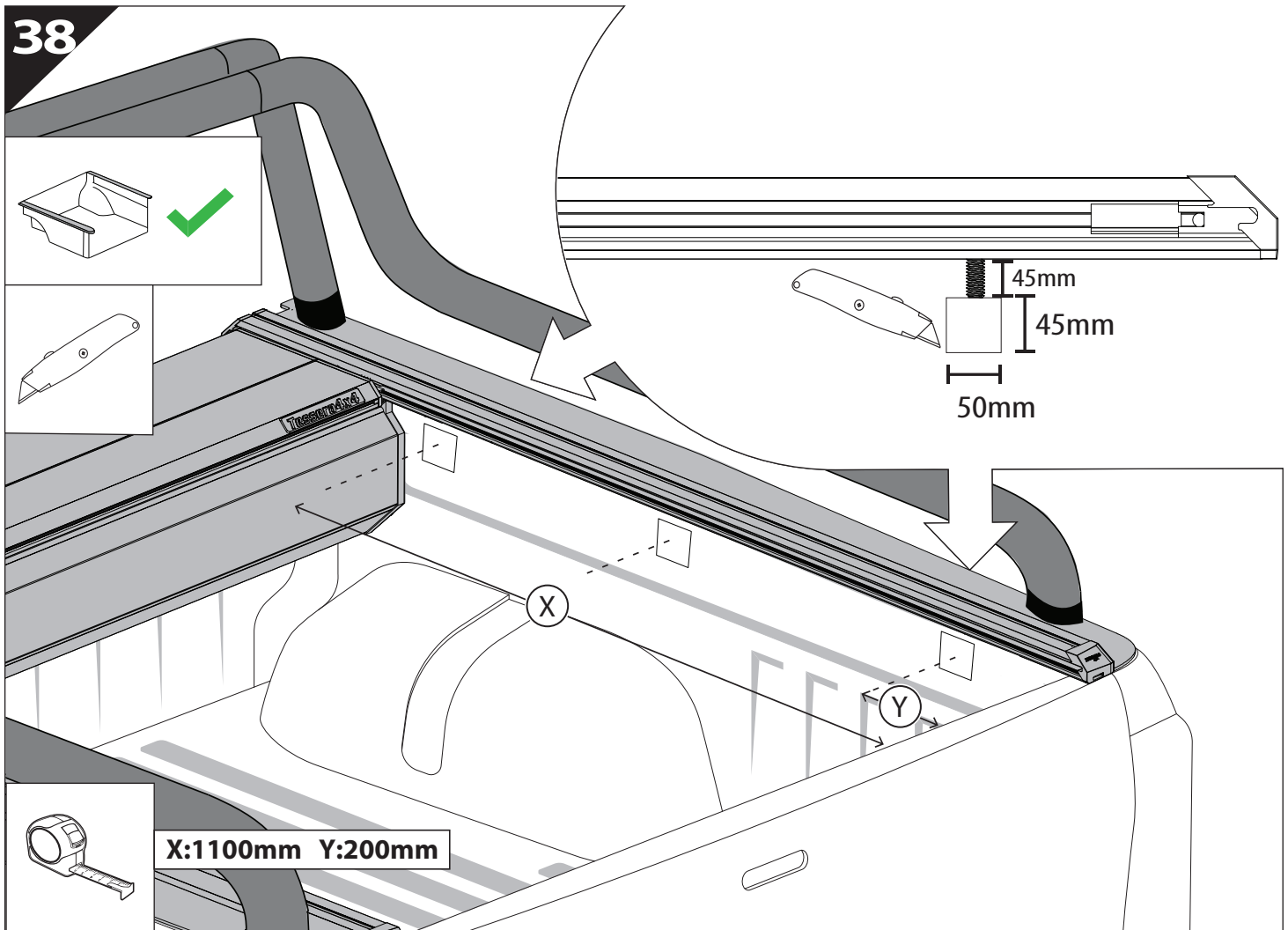
36



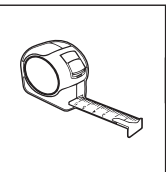
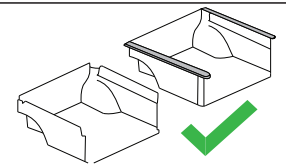
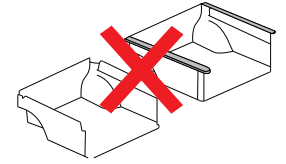
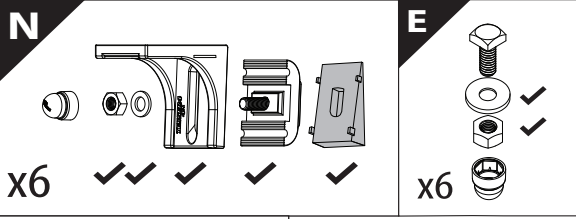
37



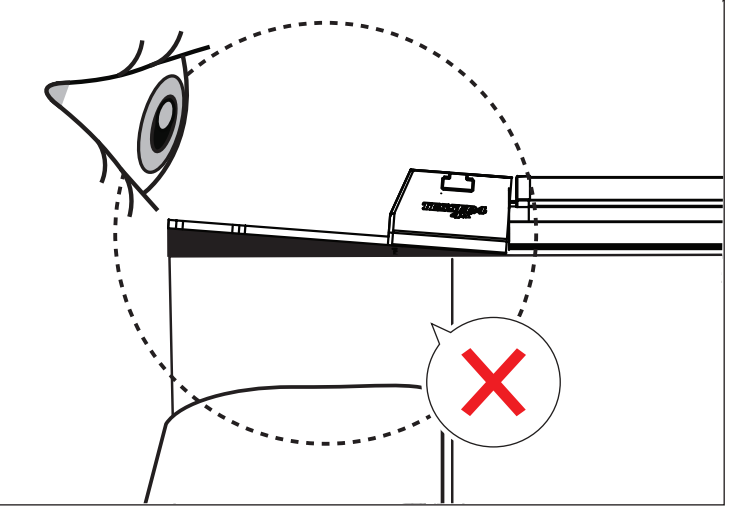
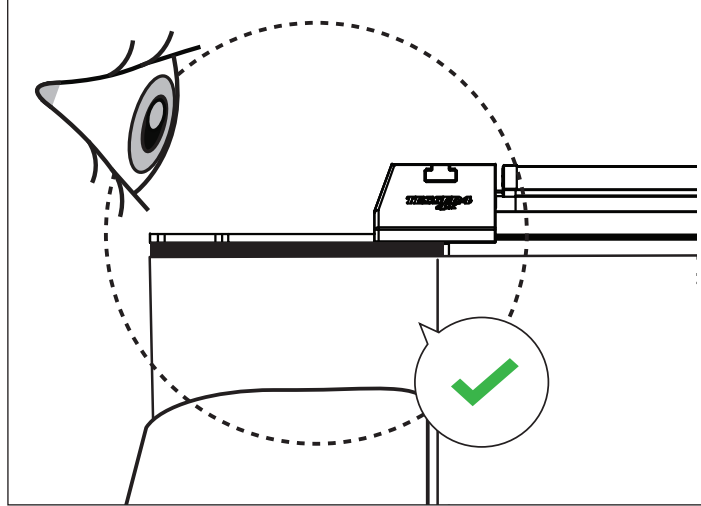
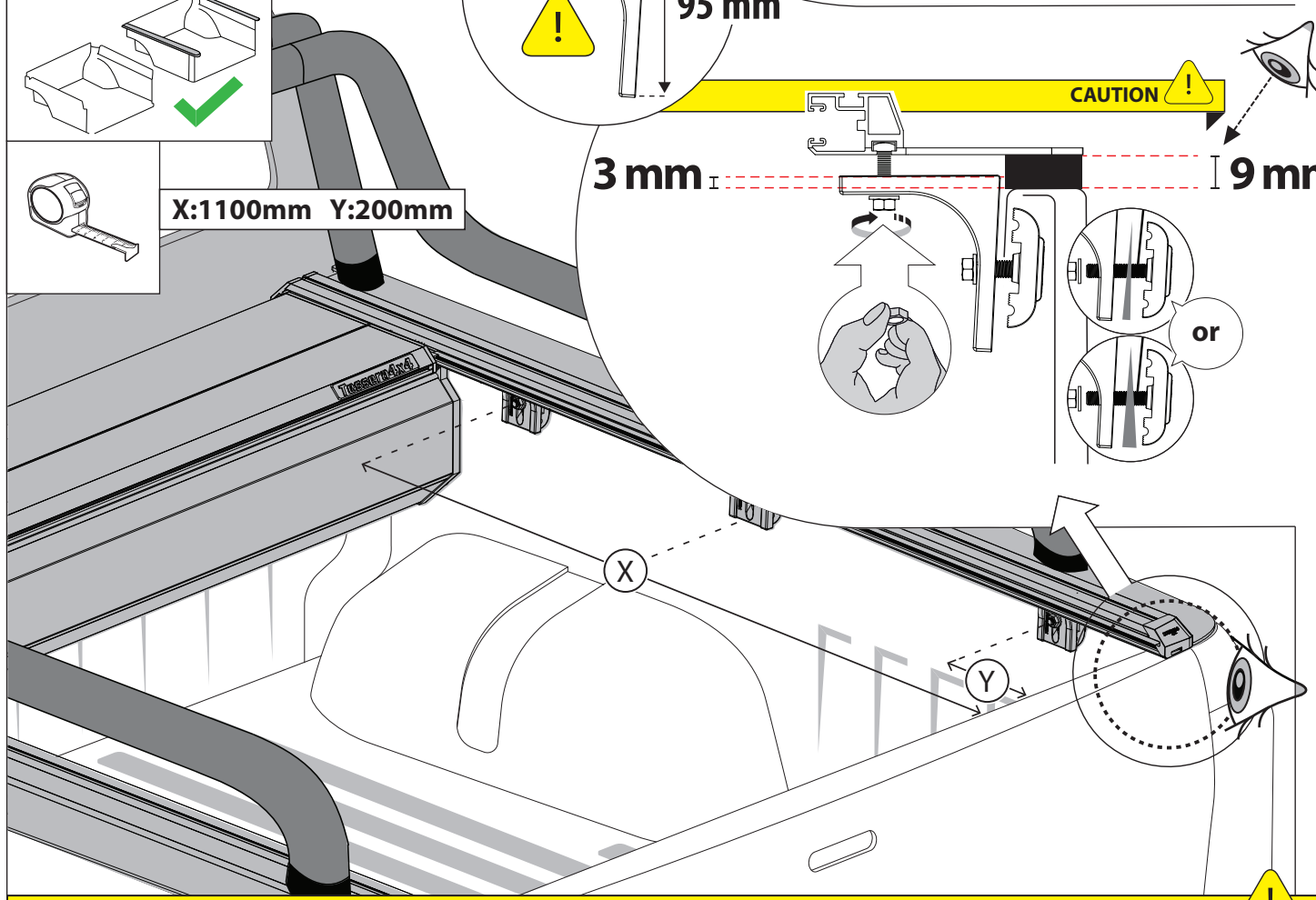
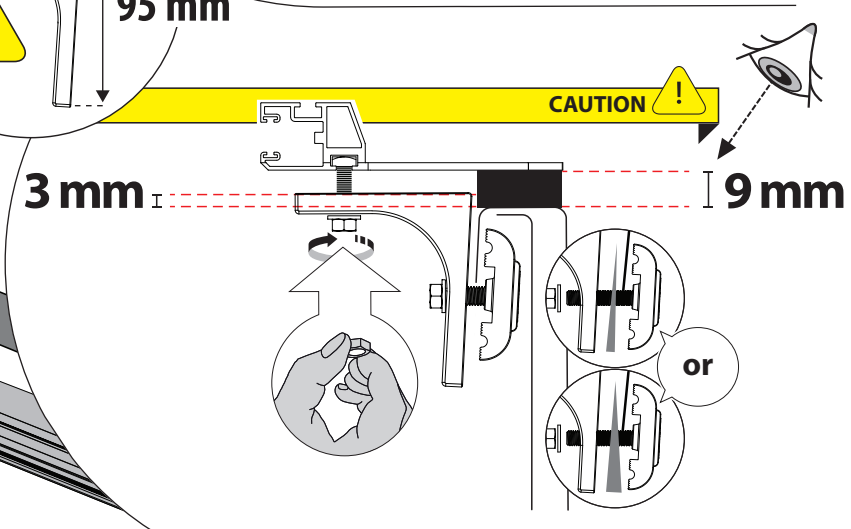
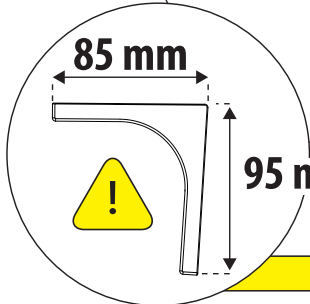
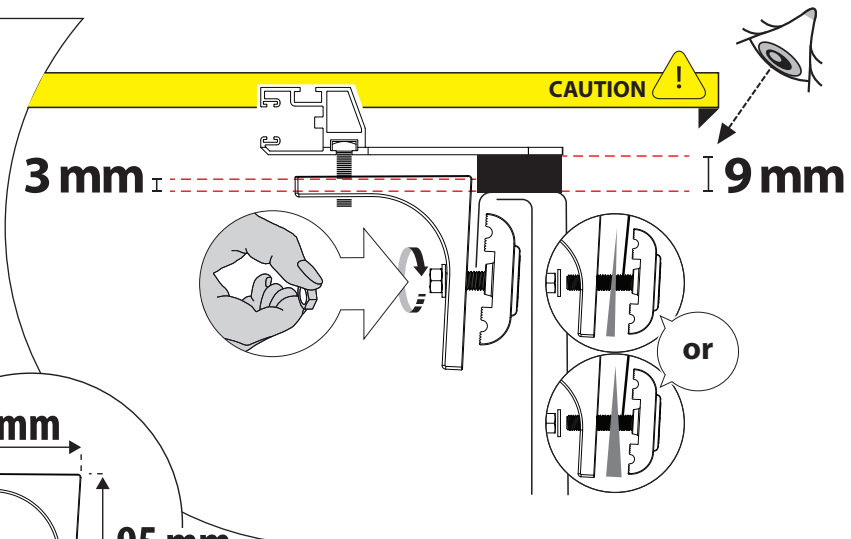
38

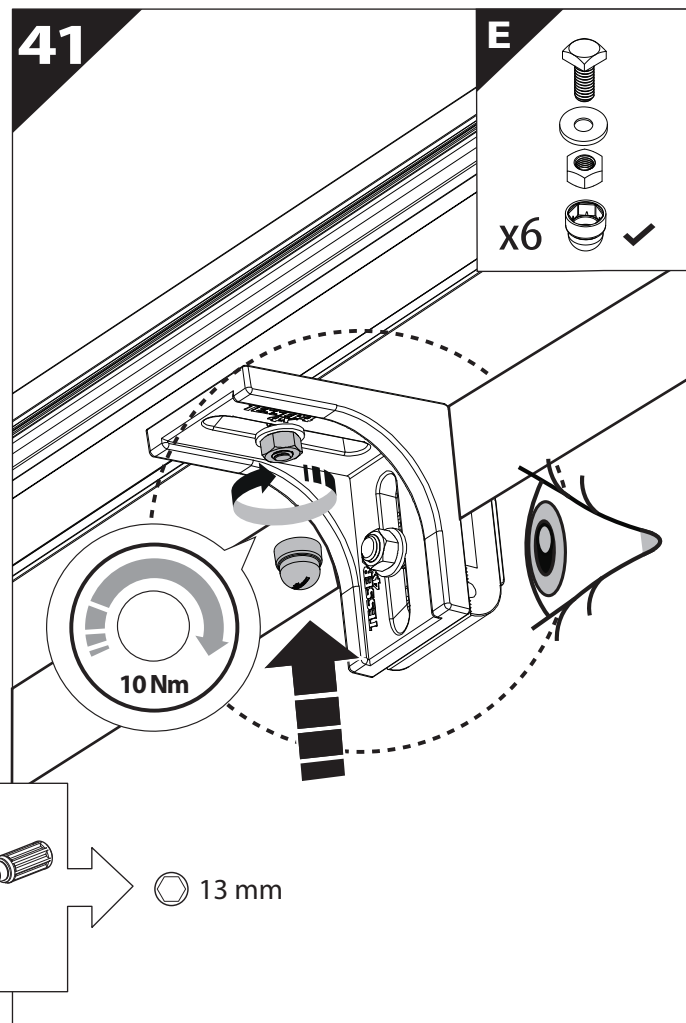
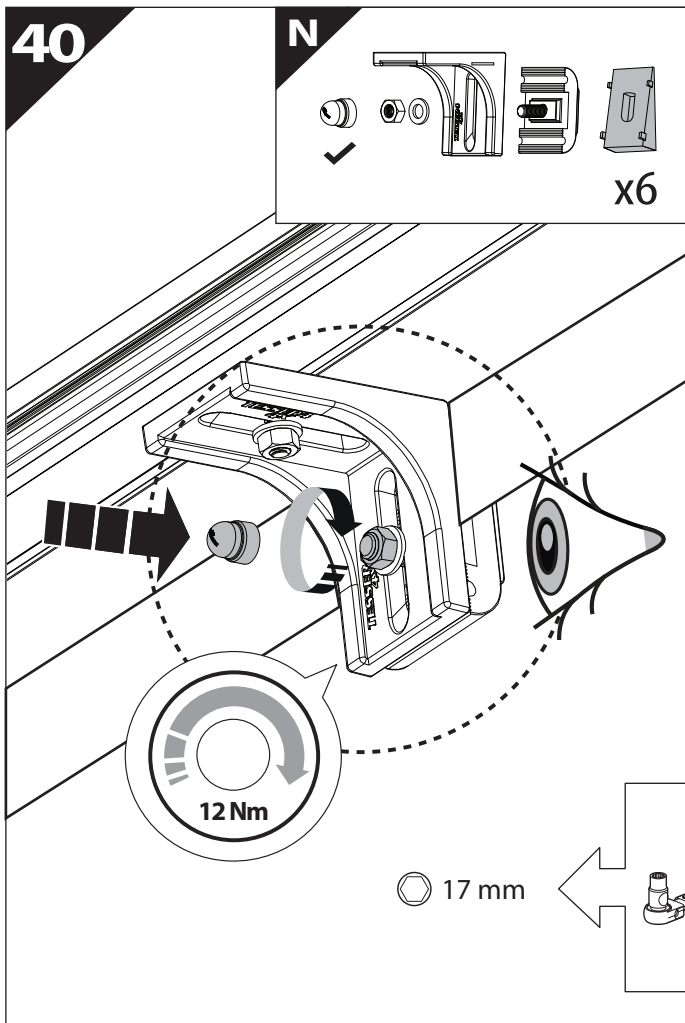


39

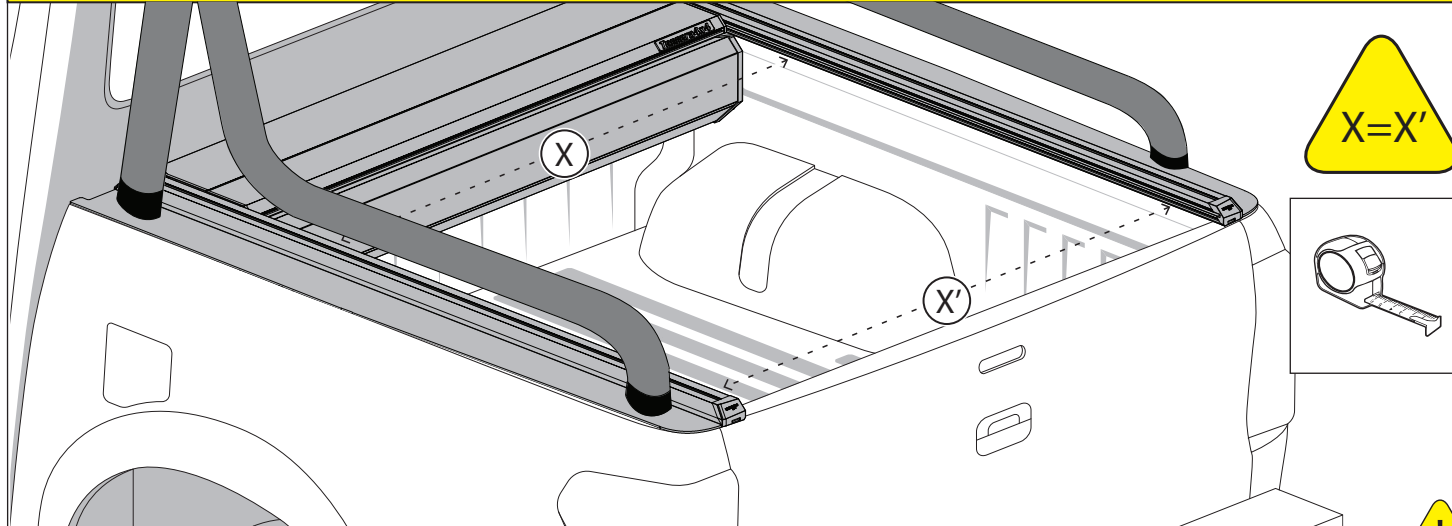


X:1100mm Y:200mm

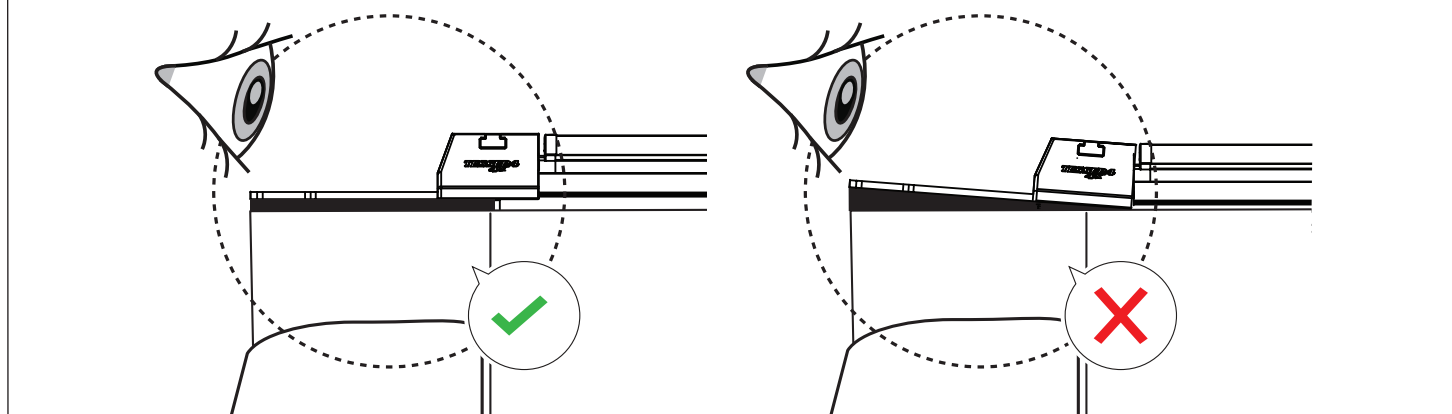




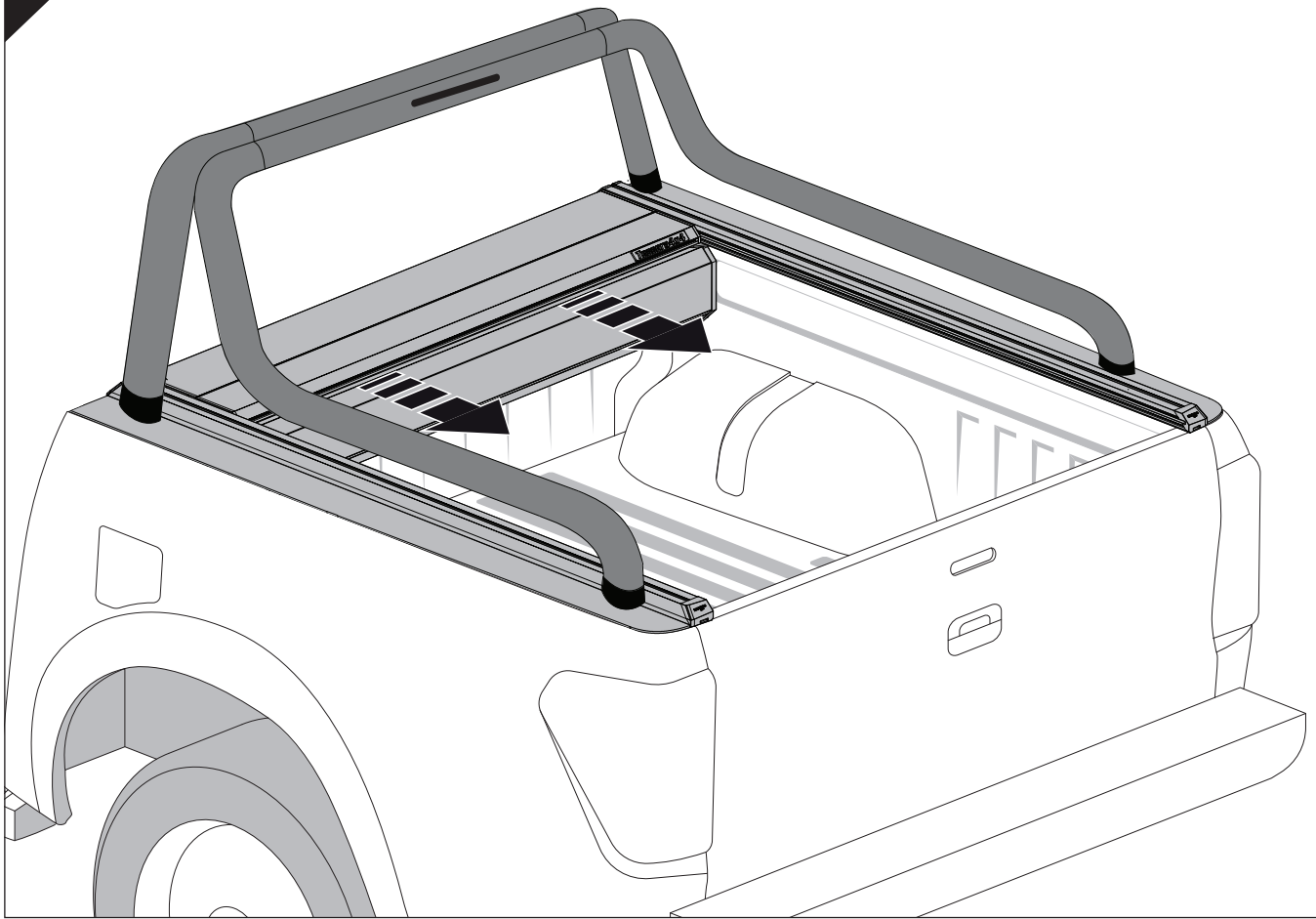
CAUTION !



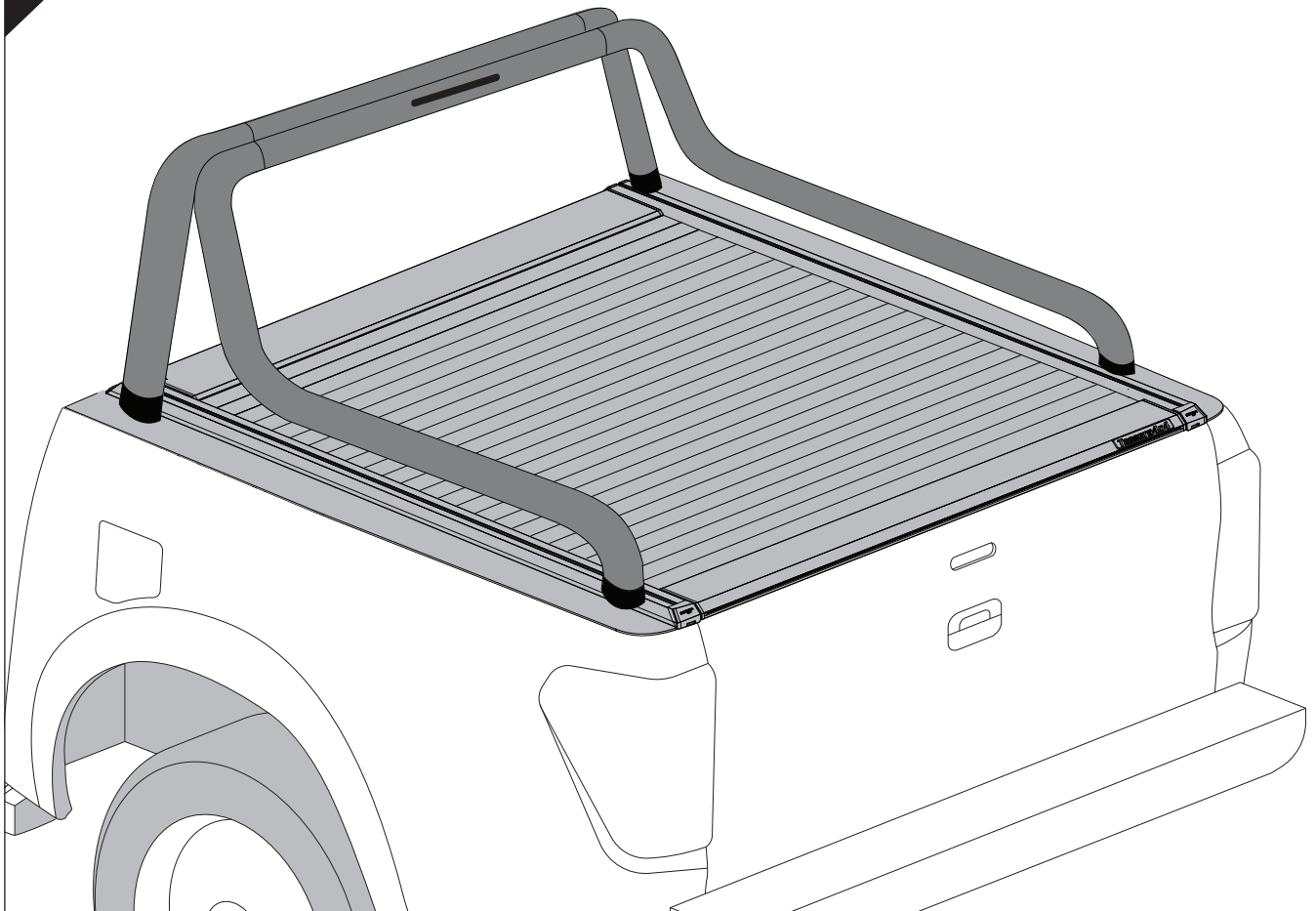
CAUTION !



42



43





GR: Οδηγίες Εγκατάστασης
GB: Installation manual
SF: Asennusohje
F: Notice de montage
PL: Instrukcja montażu
NL: Installatie-instructies
TR: Montaj Talimatı
S: Monteringsanvisning
E: Instrucciones de montaje

H: Szerelési utasítás
P: Instruções de instalação
RUS: Инструкция по установке
N: Monteringsveiledning
D: Einbauanleitung
CZ: Návod k instalaci
I: Istruzioni de montaggio
DK: Monteringsvejledning
RO: Instructiuni de instalare

Customer Service:

+30 (210) 5541161, +30 (210) 5541154 (08:00 - 16:00 EET)

Support department:

info@gianso.gr

Website:

www.tessera4x4.com

Address:

19.5 km of National road Athens-Korinthos (Elefsina) Greece, P.C: 19200