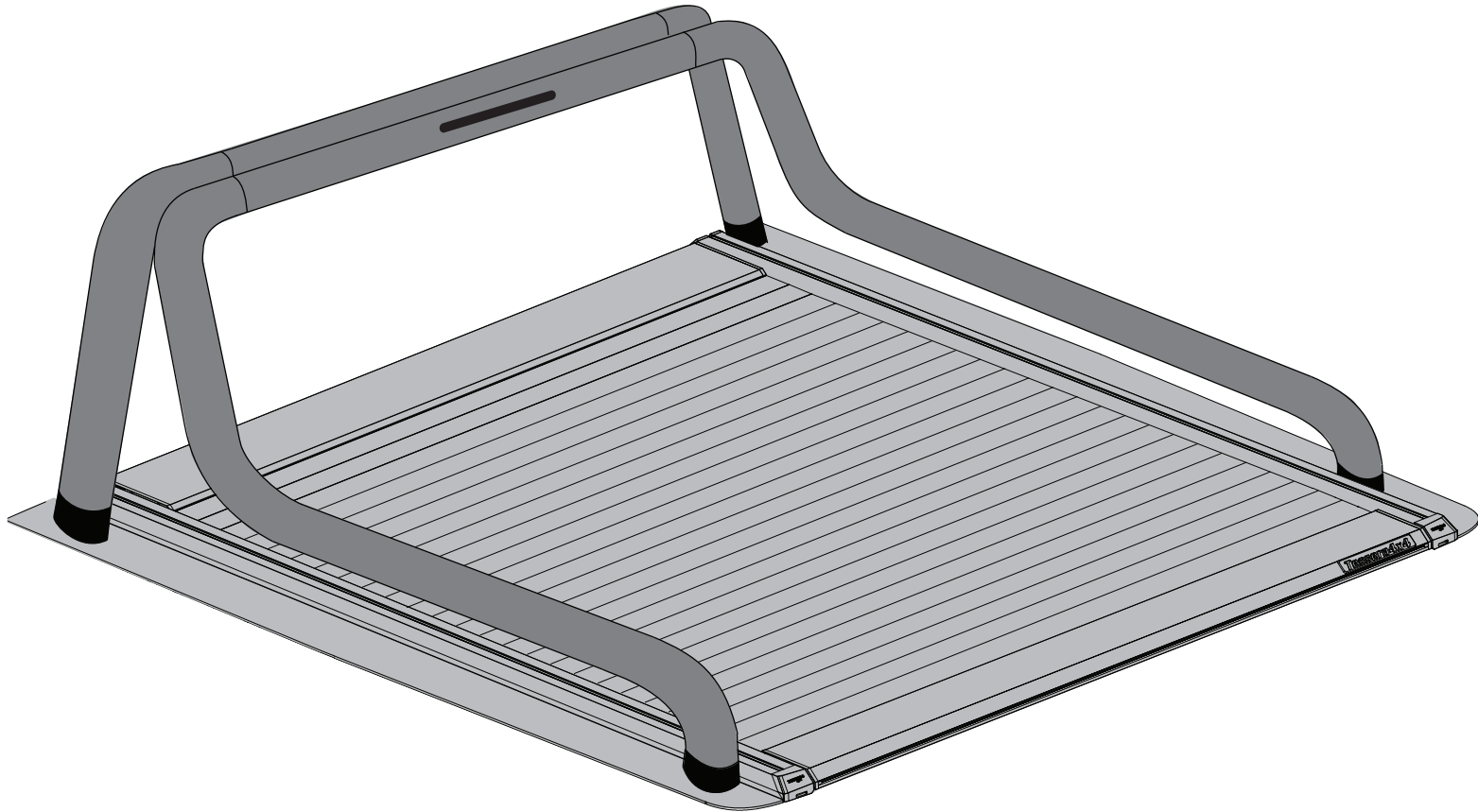


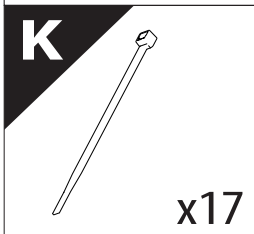
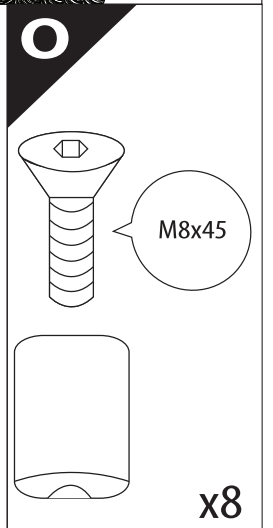
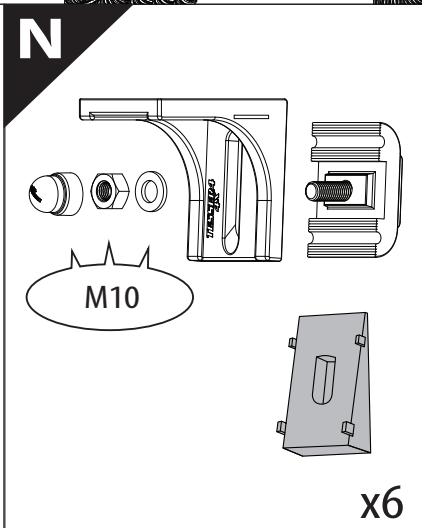
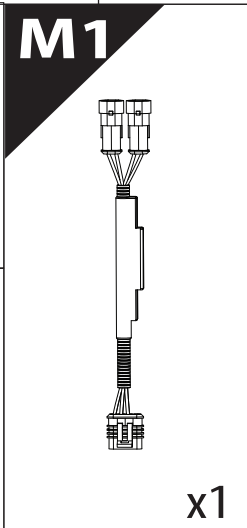
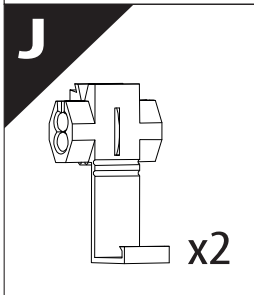
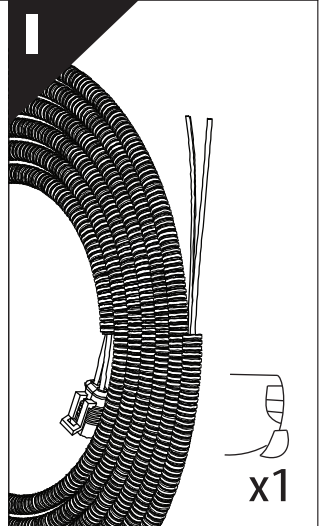
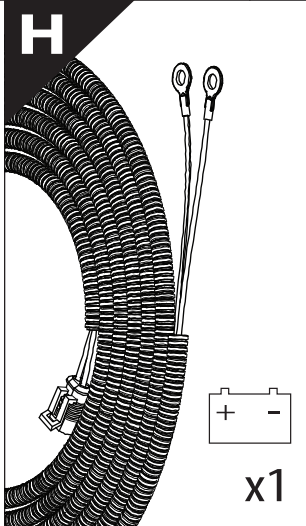
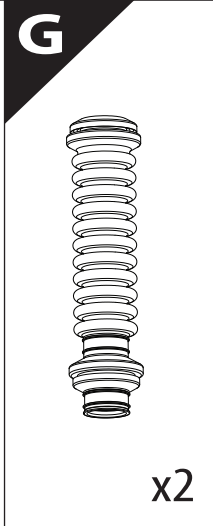
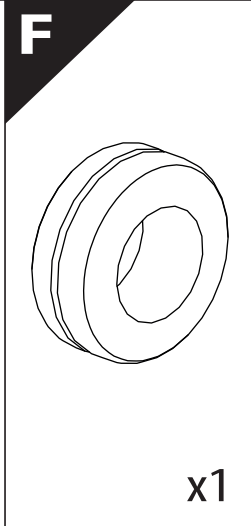
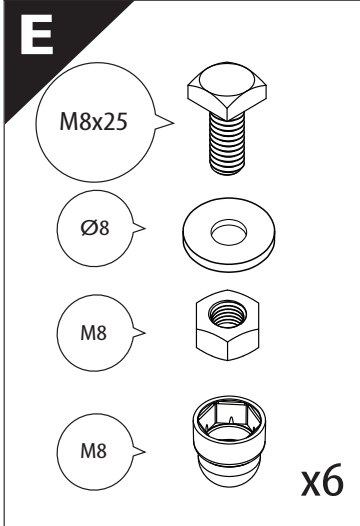
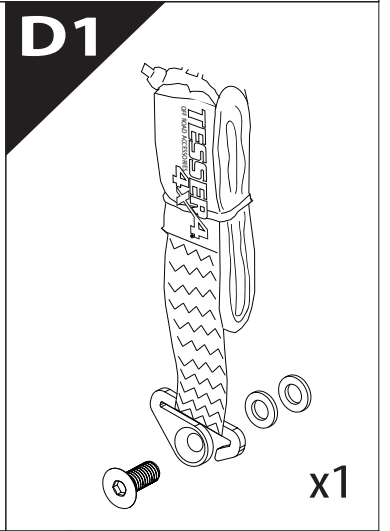
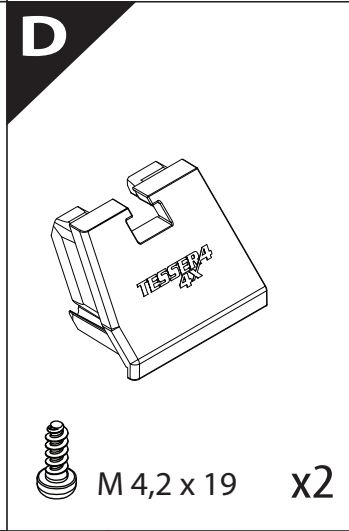
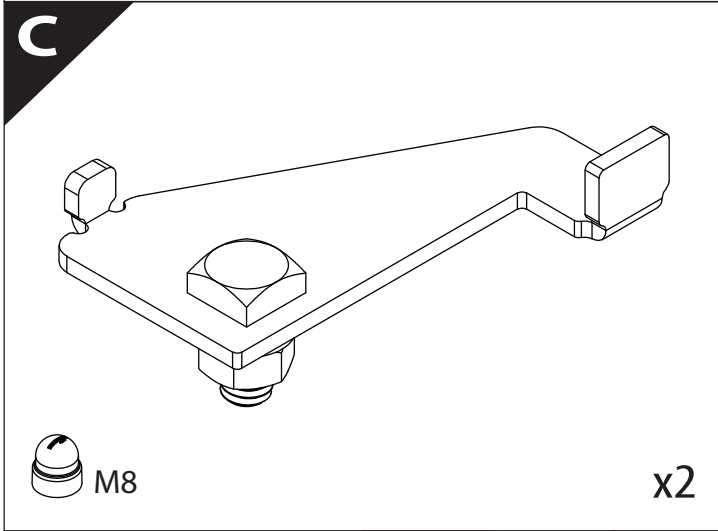
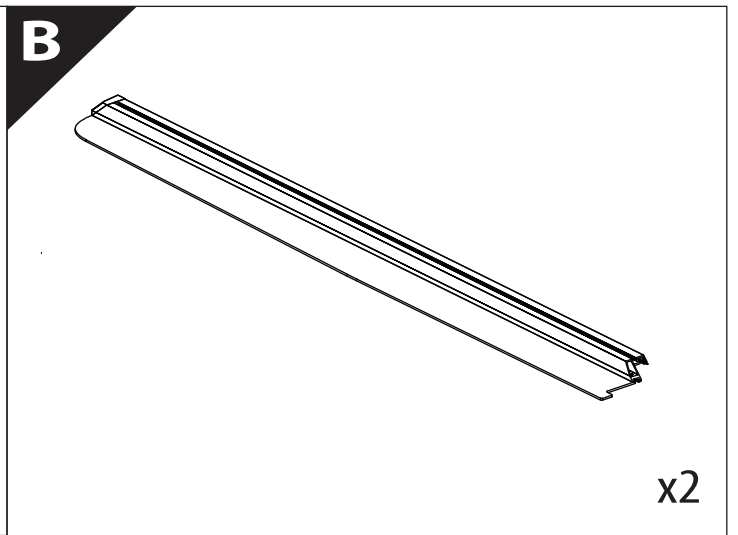
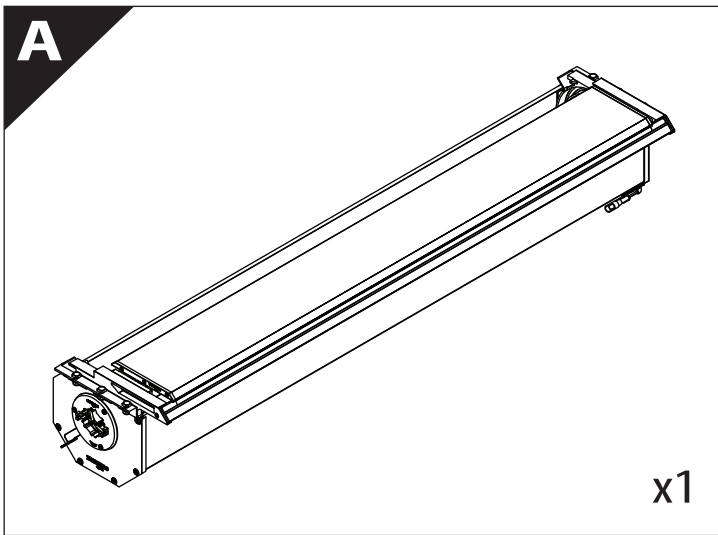
Tessera Roll+

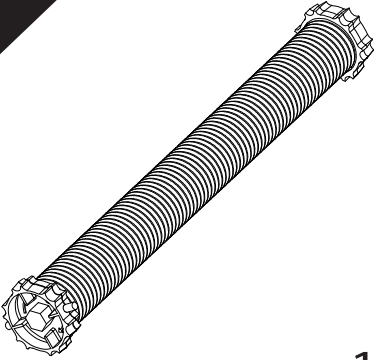

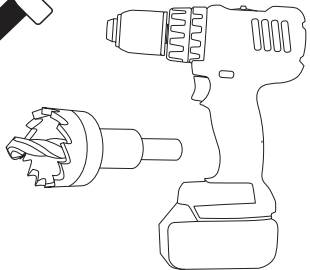

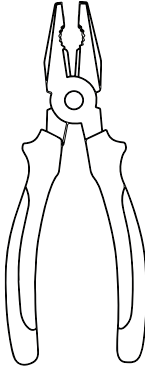
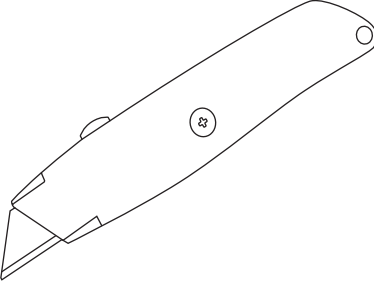
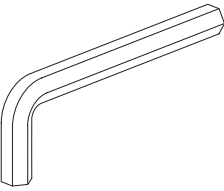
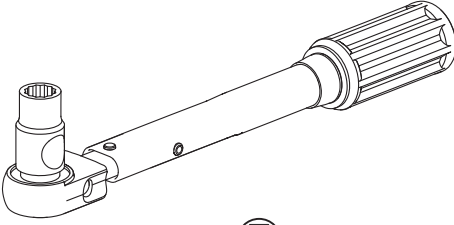

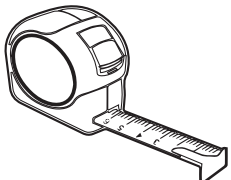

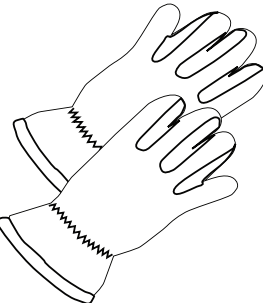
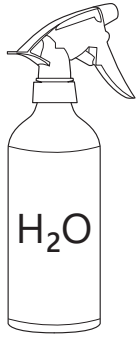
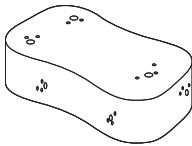
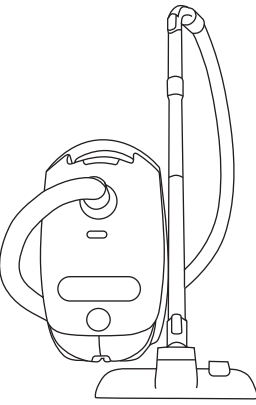
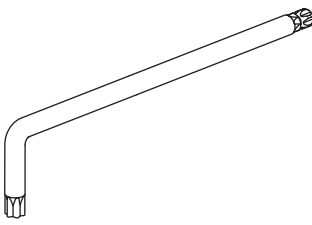
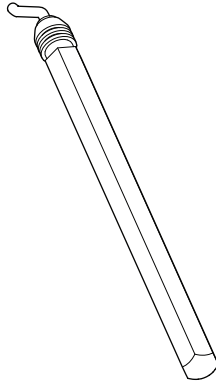
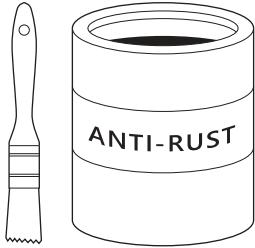


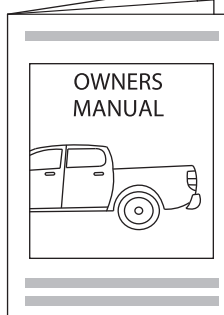
Basic Version + ⚙️ S-KIT

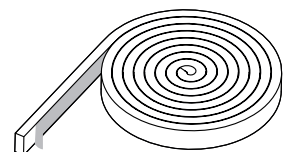
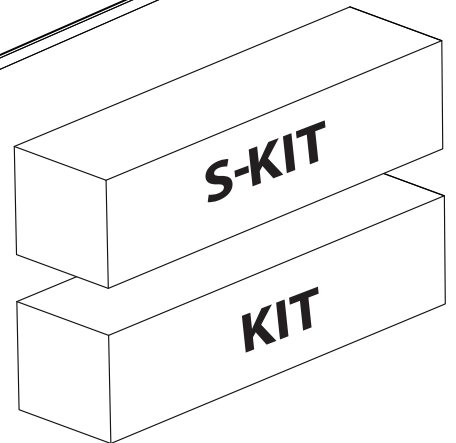
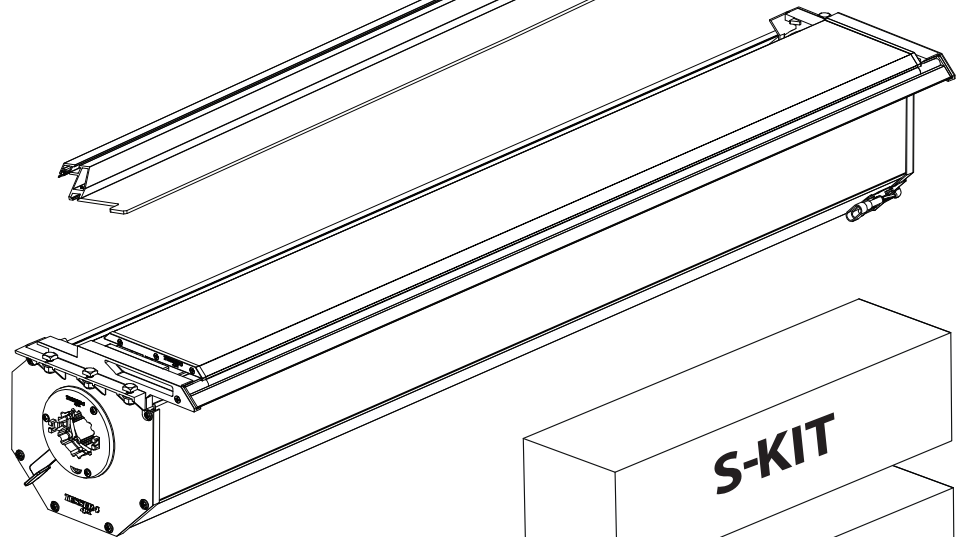
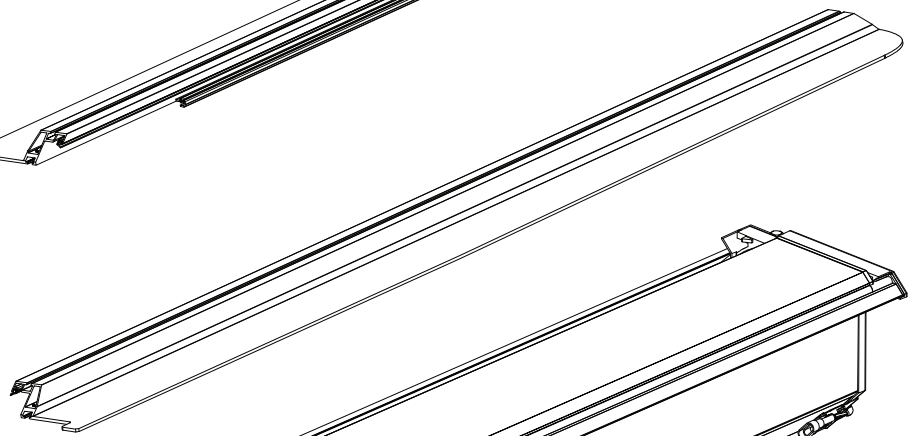
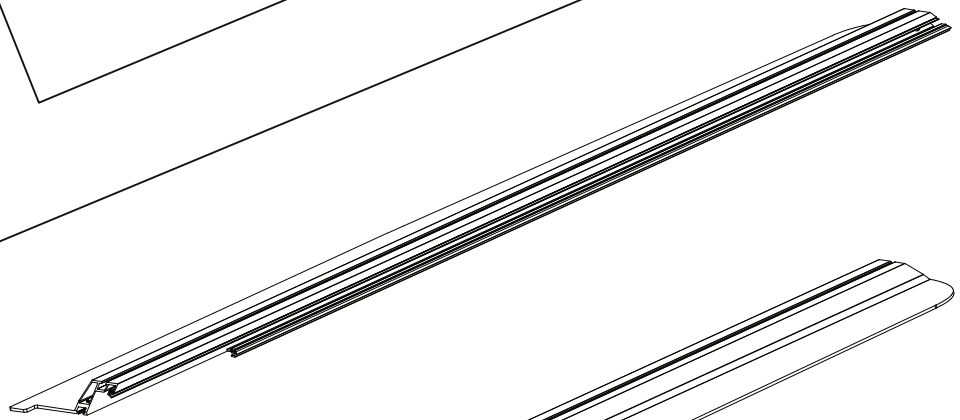
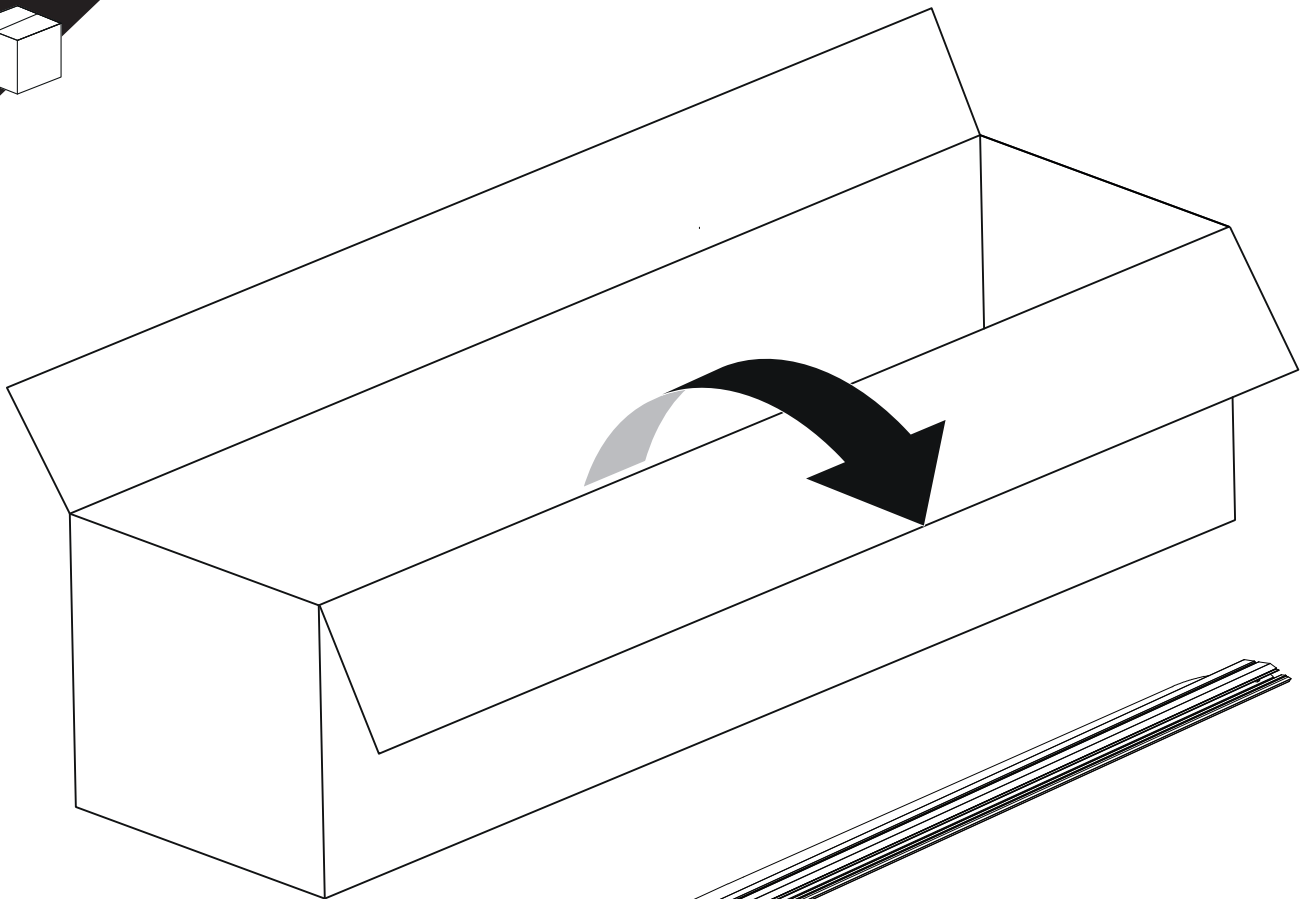


Installation Manual

PART NUMBER(S)	Model Year
TESS 1401 ROLL +ADAPT 007 +S-KIT	VW Amarok With Canyon's Roll Bar 2010-2021
Cab(s)	Installation Time / Weight
Double Cab	40-60 minutes / 53-57 kg



<p>P</p>  <p>x1</p>	  <p>Ø 25 mm / Ø 40 mm</p>	 <p>+</p>			
	 <p>4 mm</p>	<p>1 - 25 Nm</p>  <p>12, 13, 17 mm</p>			
 <p>ACETONE</p>				 <p>H₂O</p>	
			 <p>ANTI-RUST</p>		
	 <p>INSTALATION MANUAL +S-KIT</p>	 <p>OWNERS MANUAL</p>	<p>x1</p>		

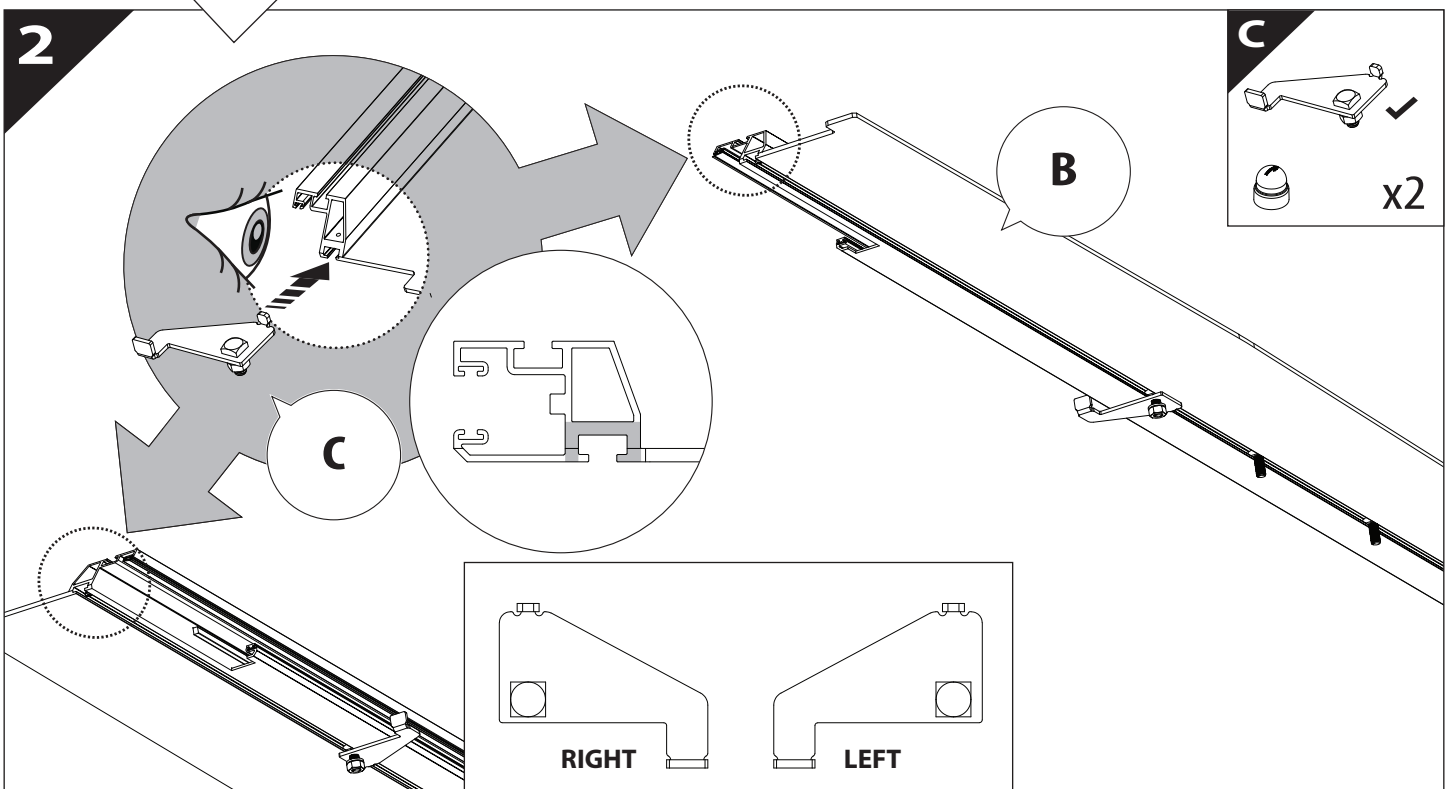
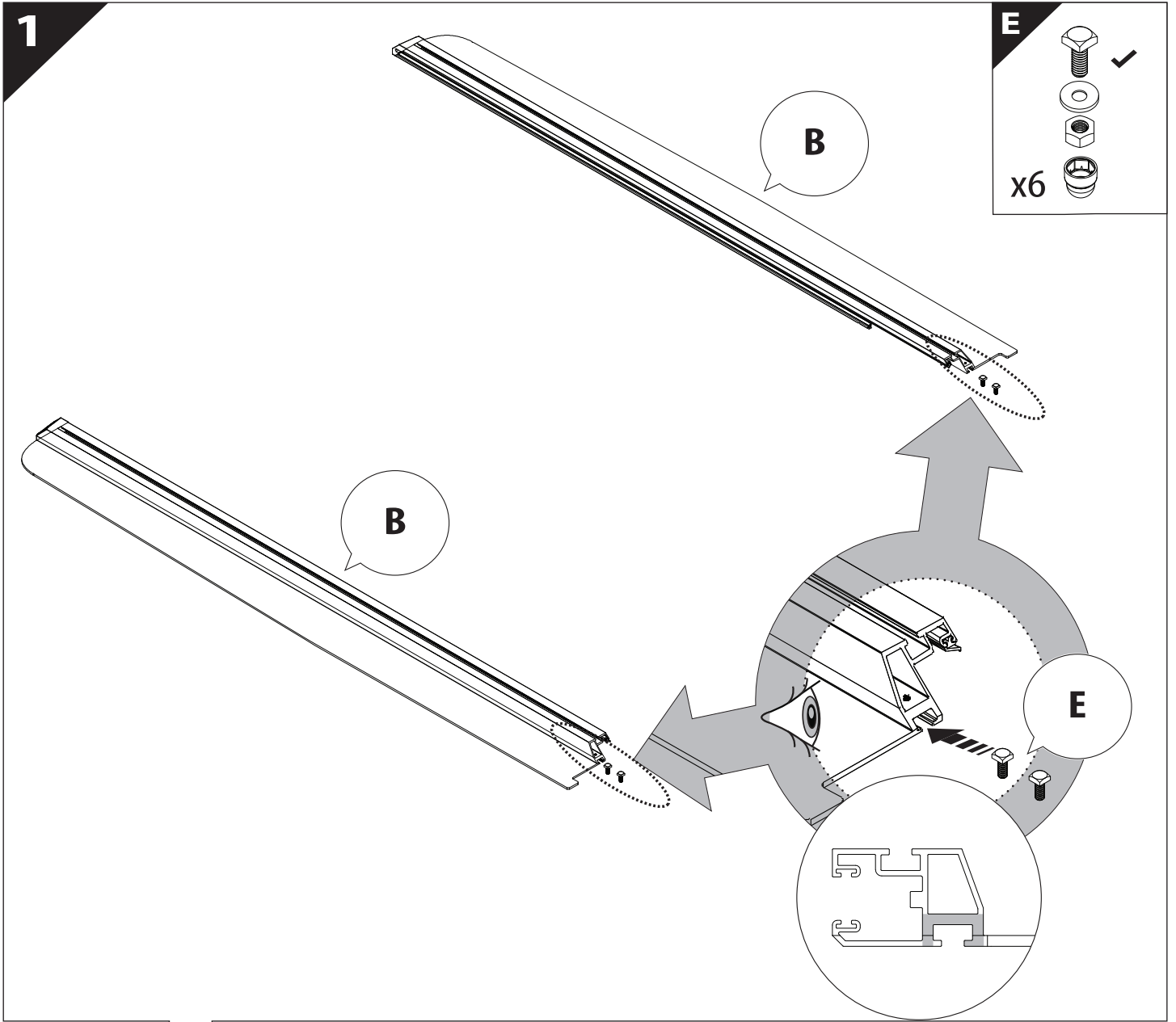


B

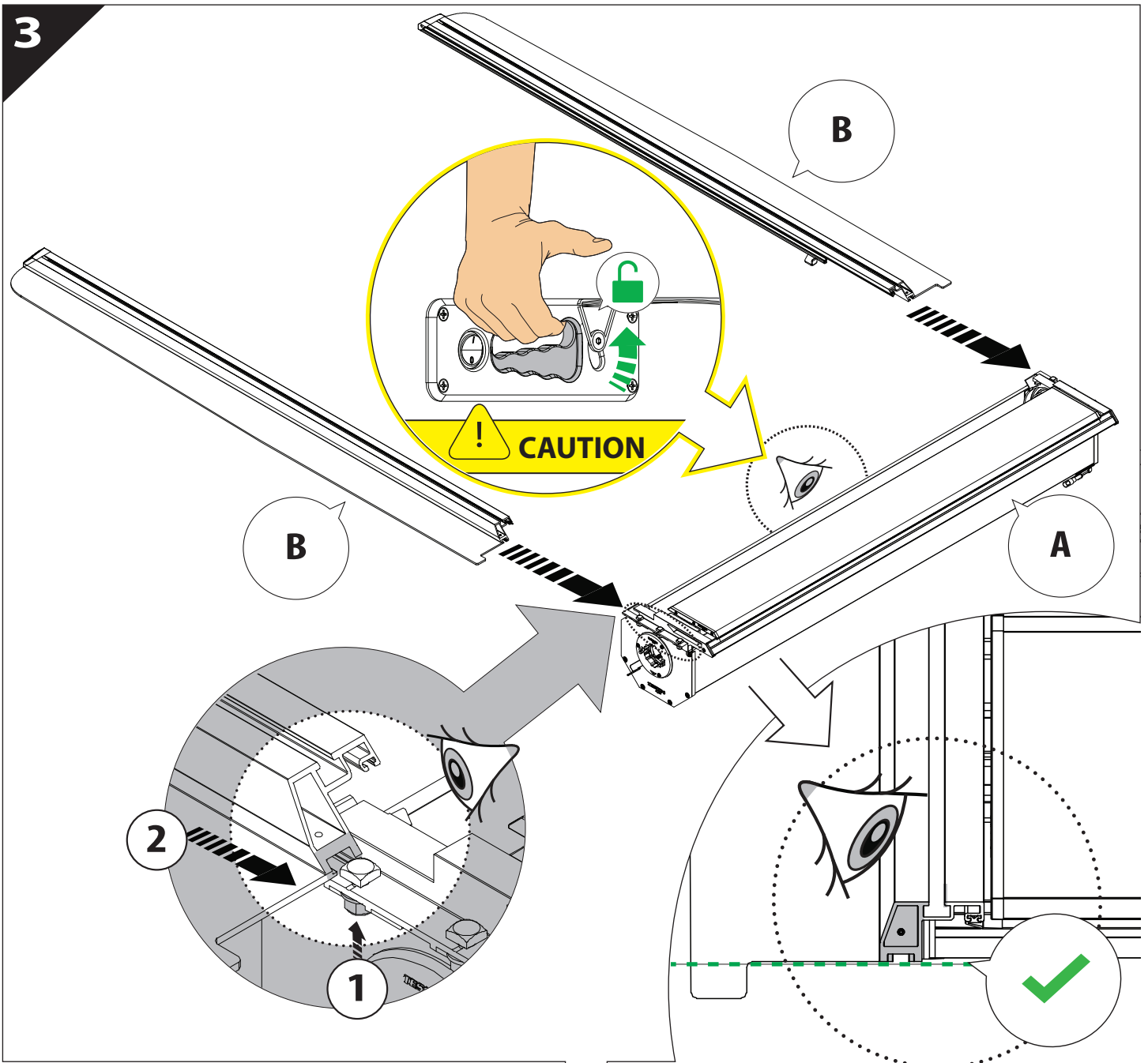
A

KITS

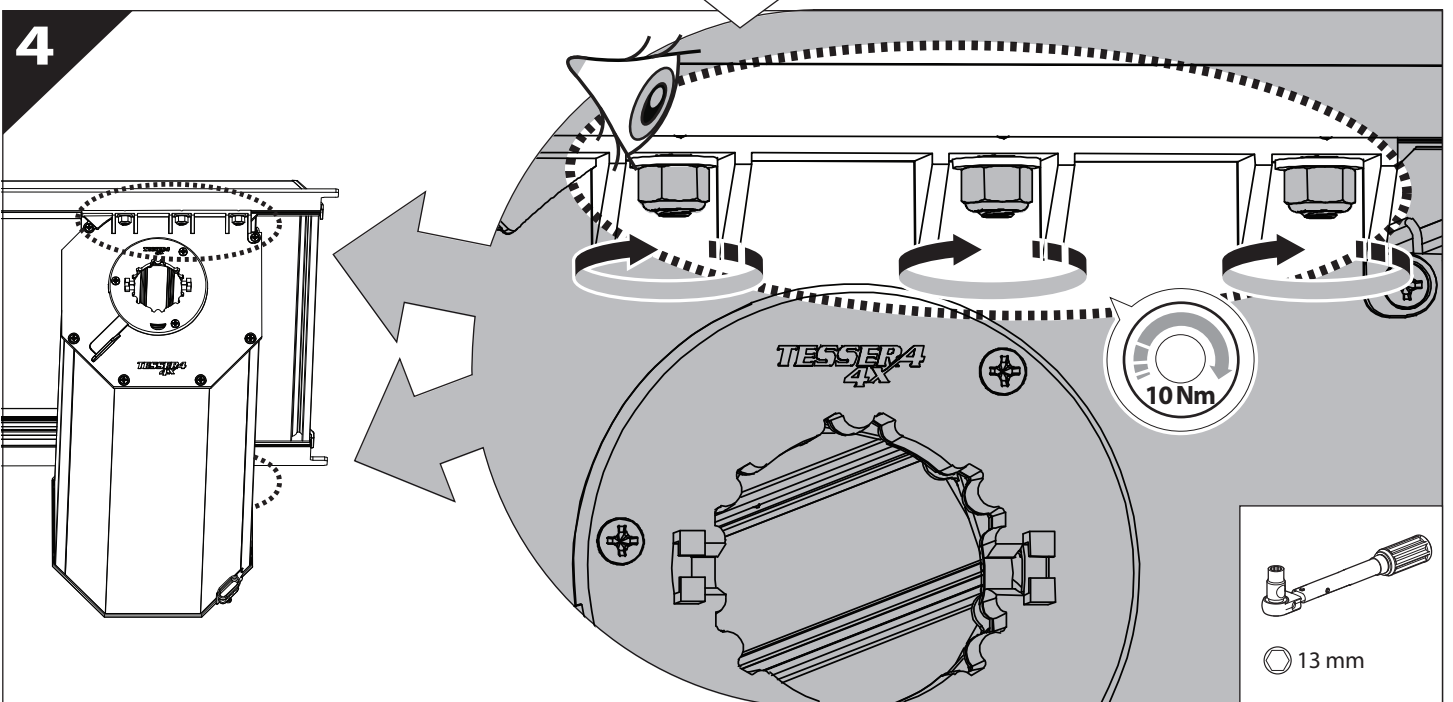
L

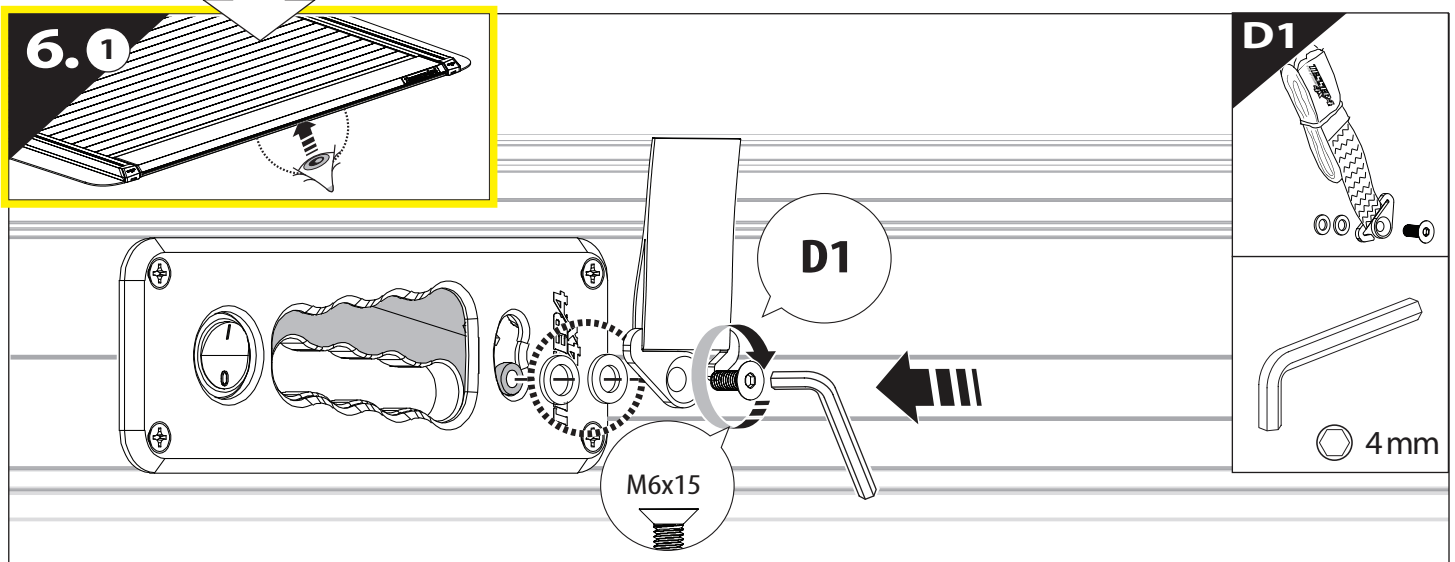
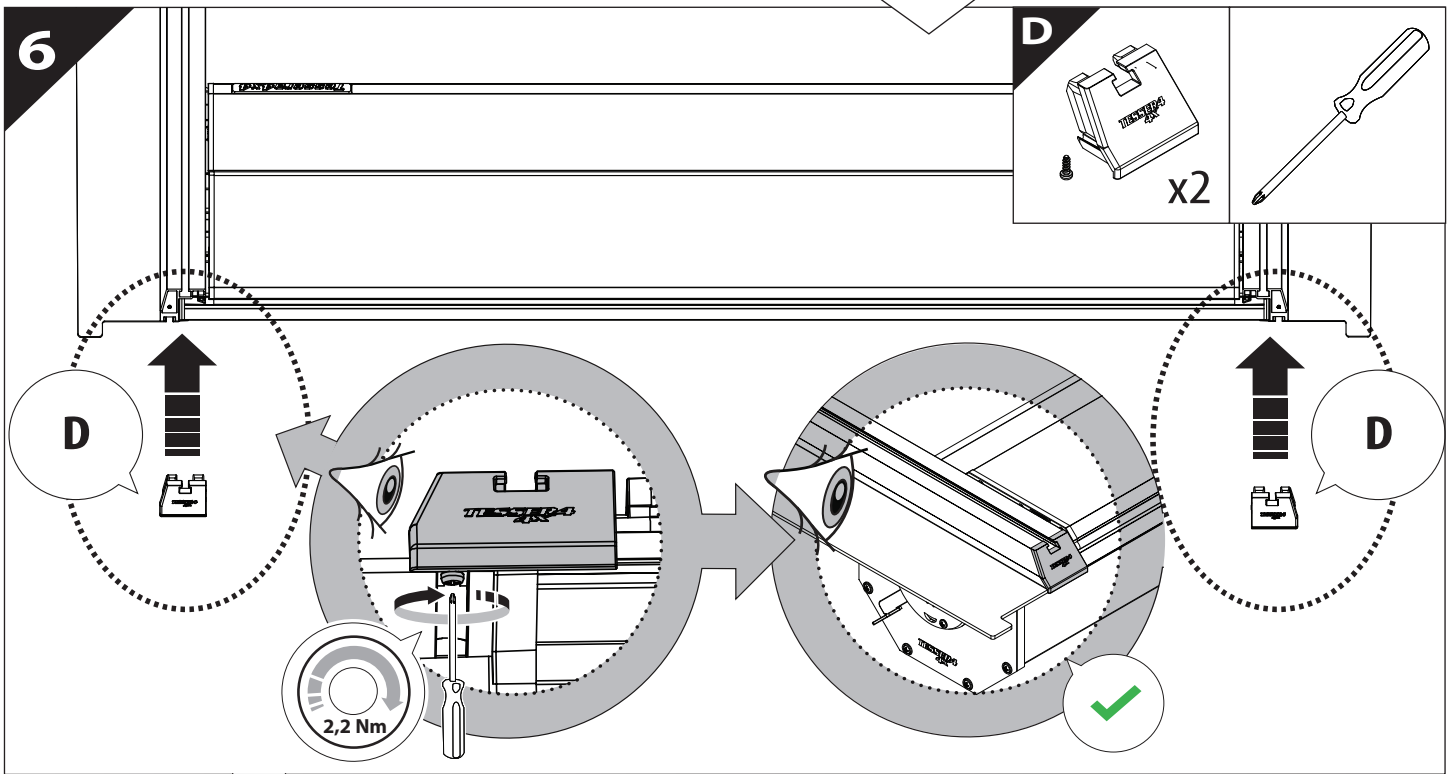
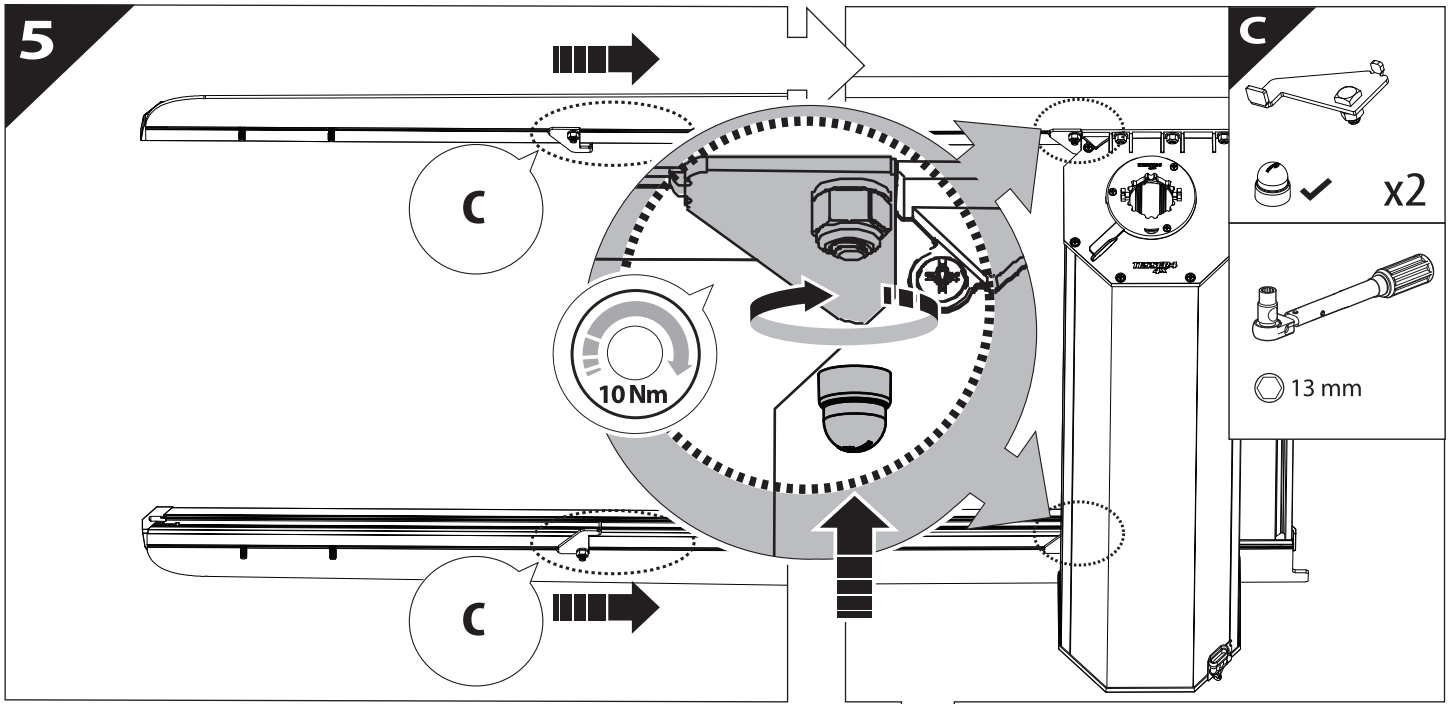


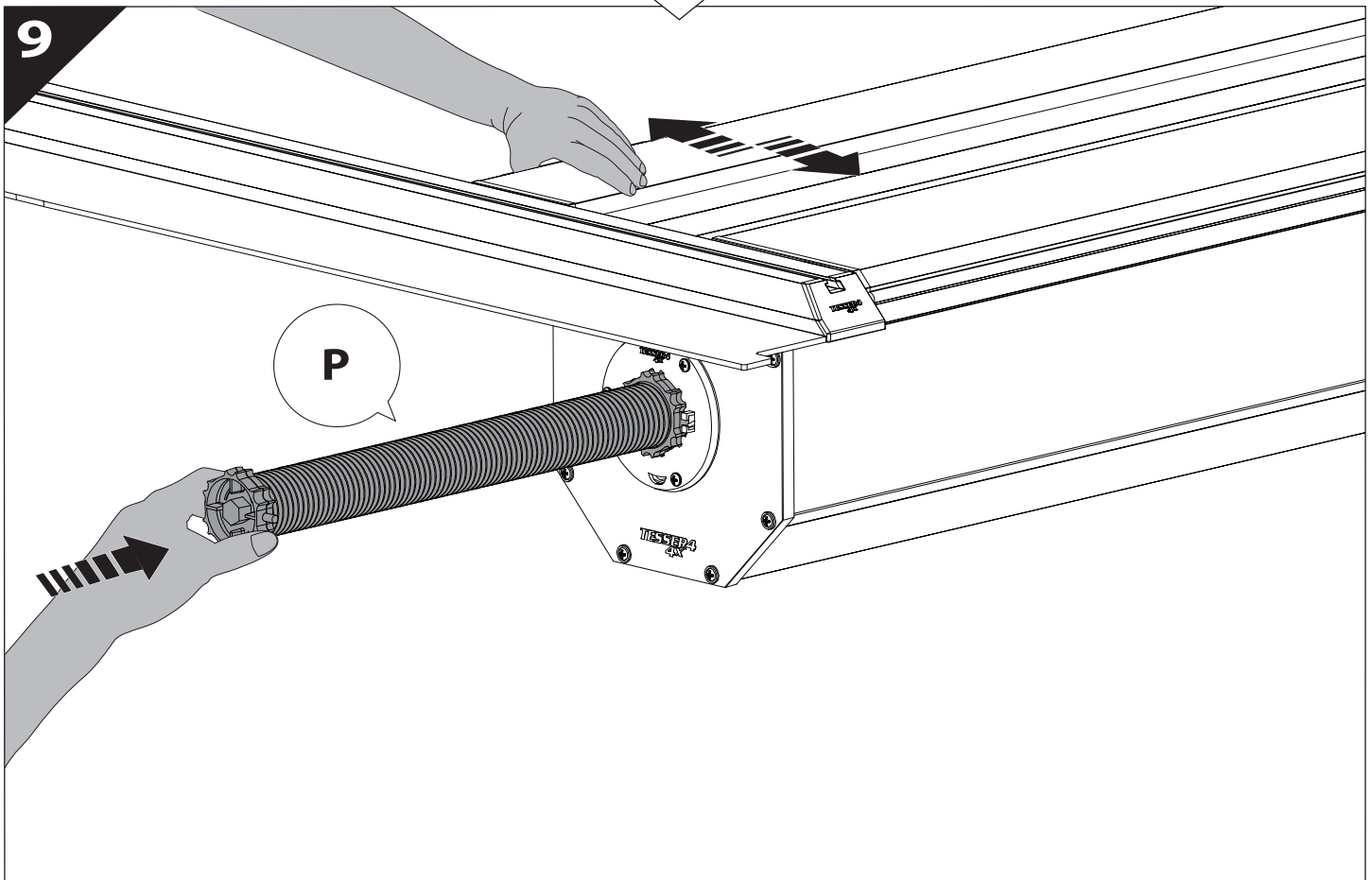
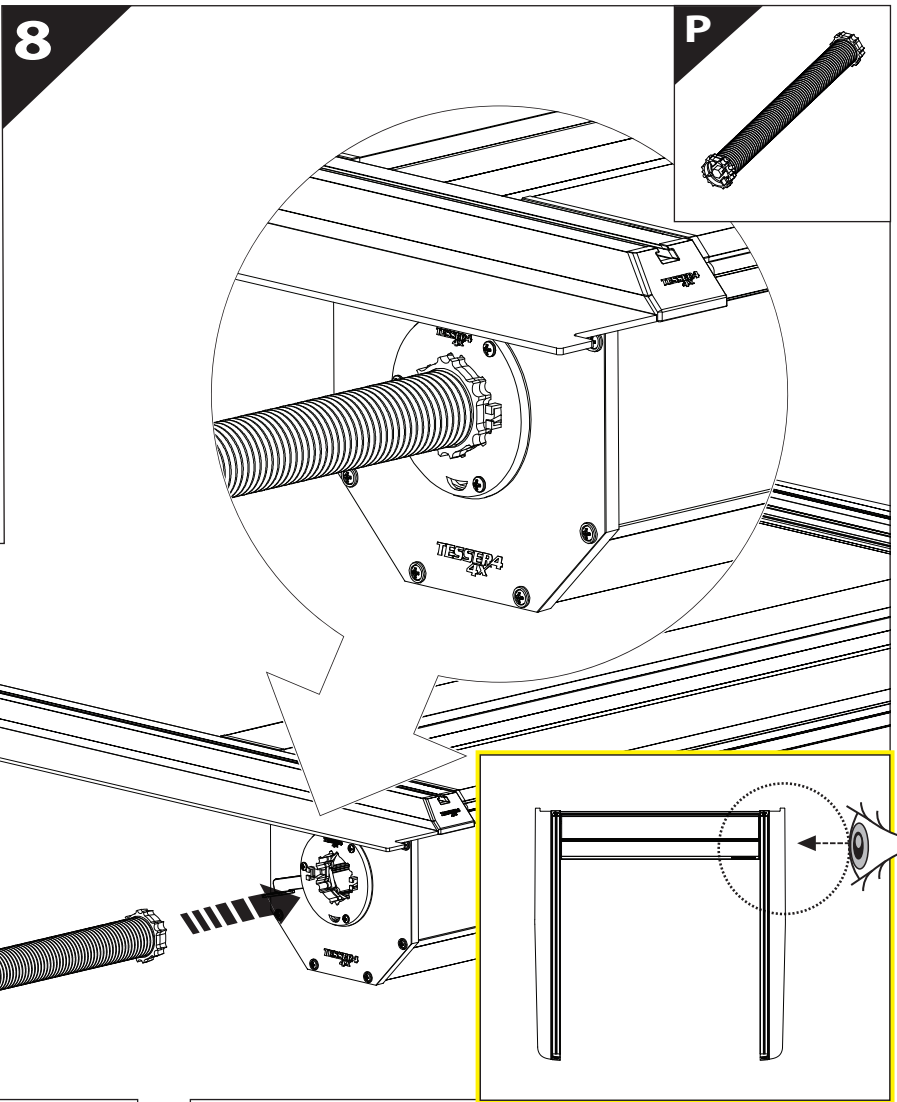
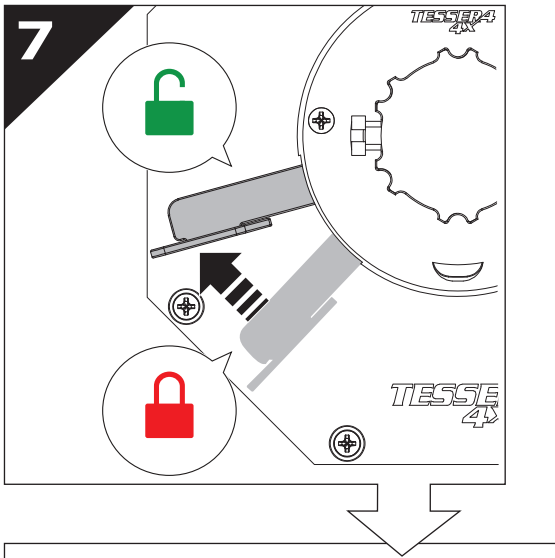
3



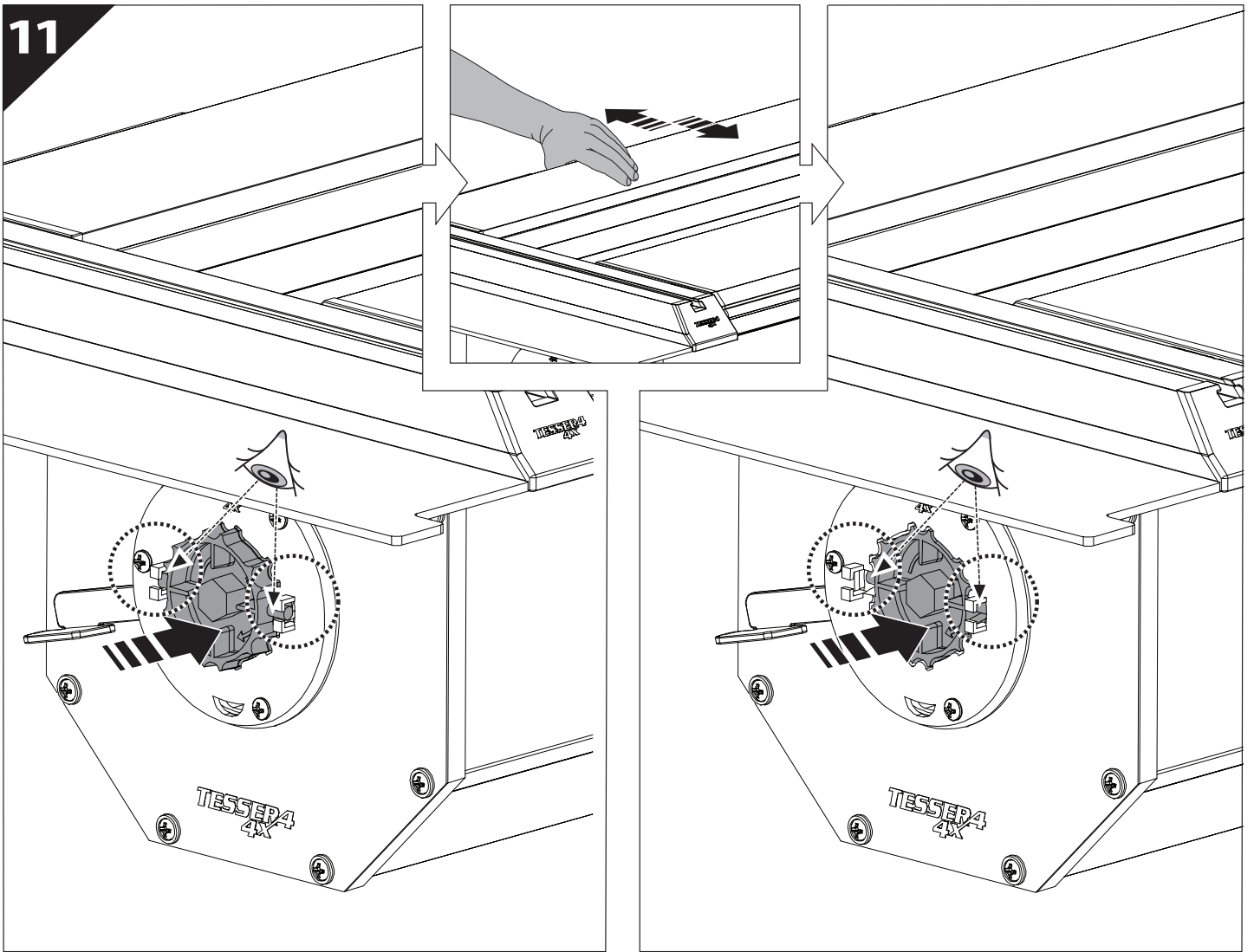
4



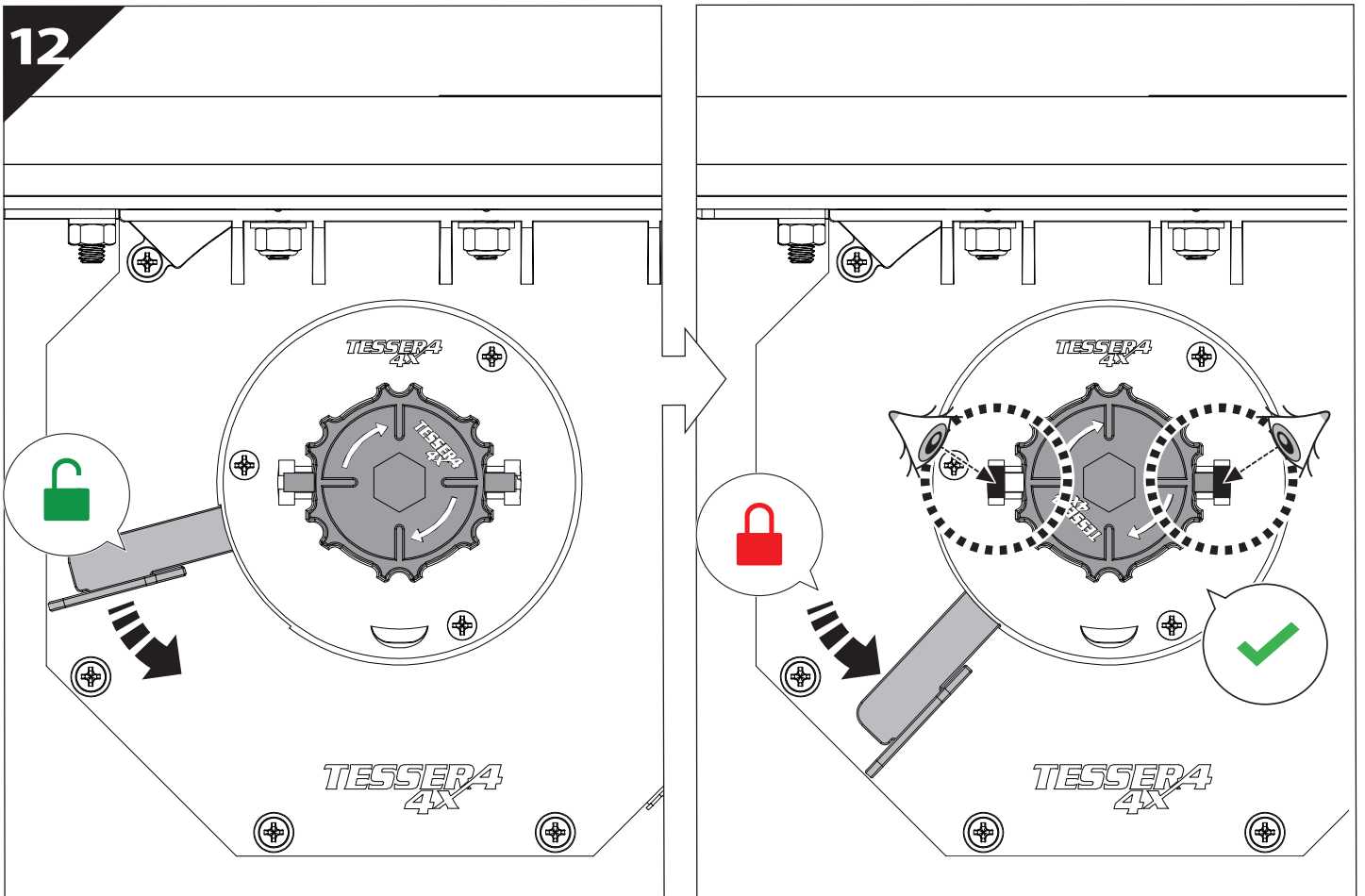




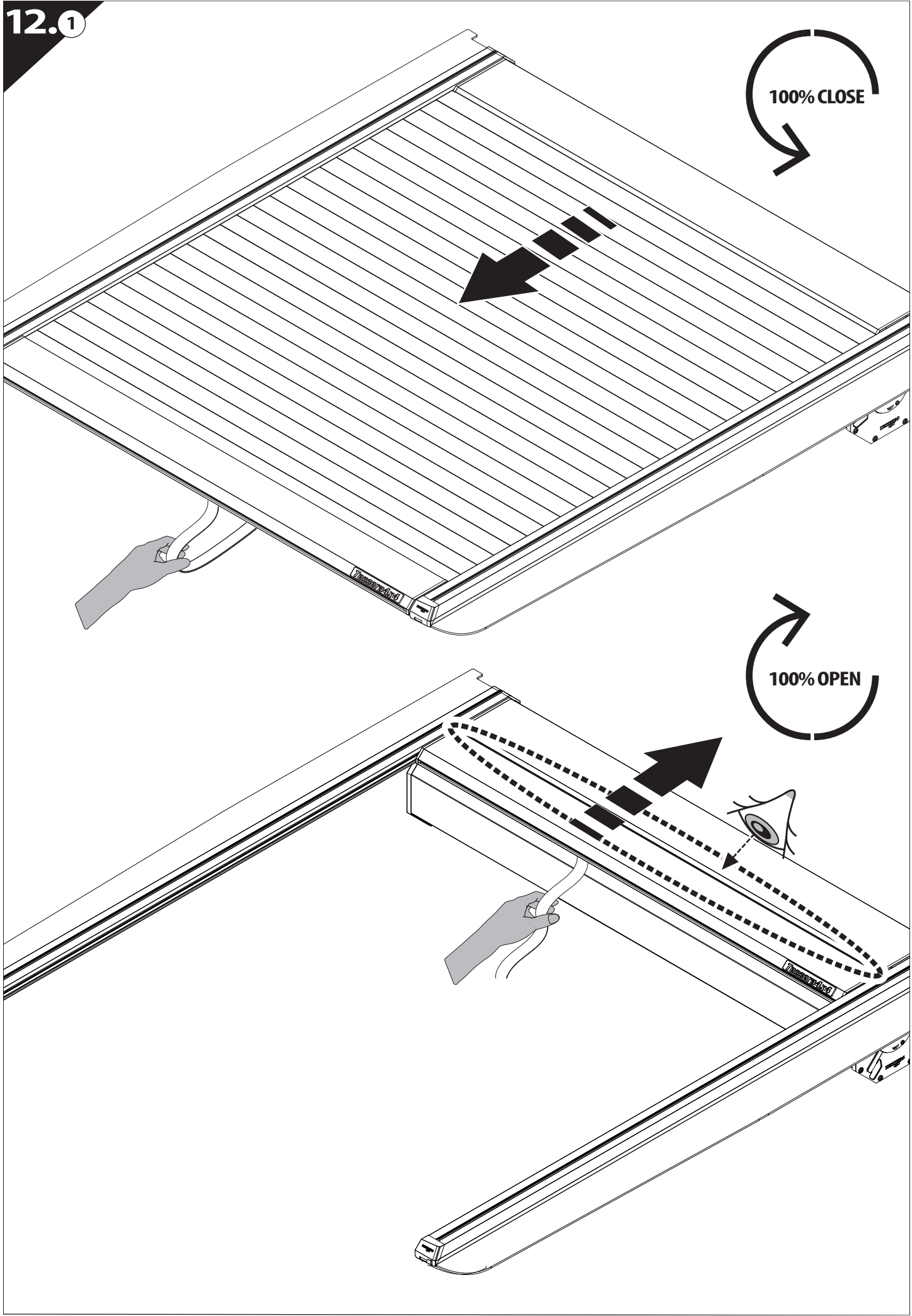
11



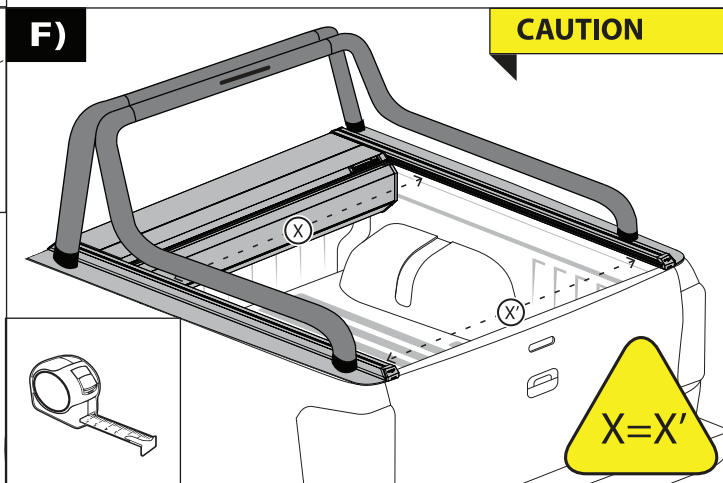
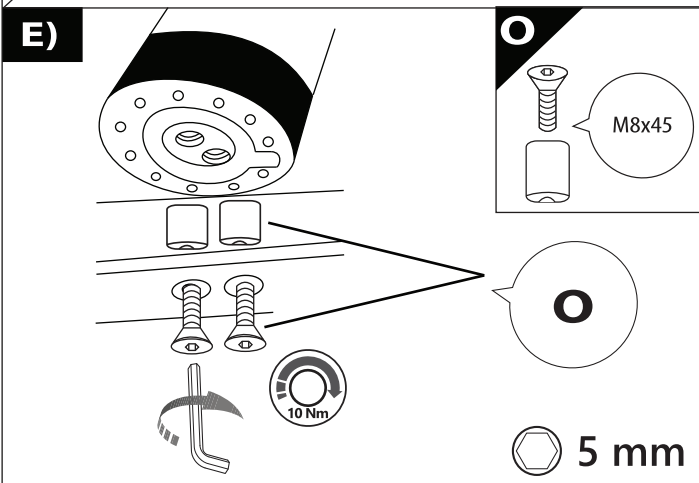
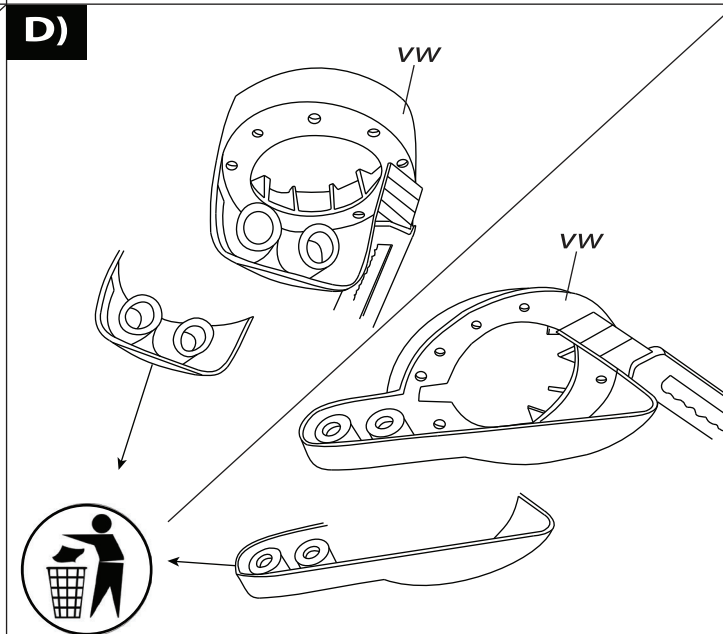
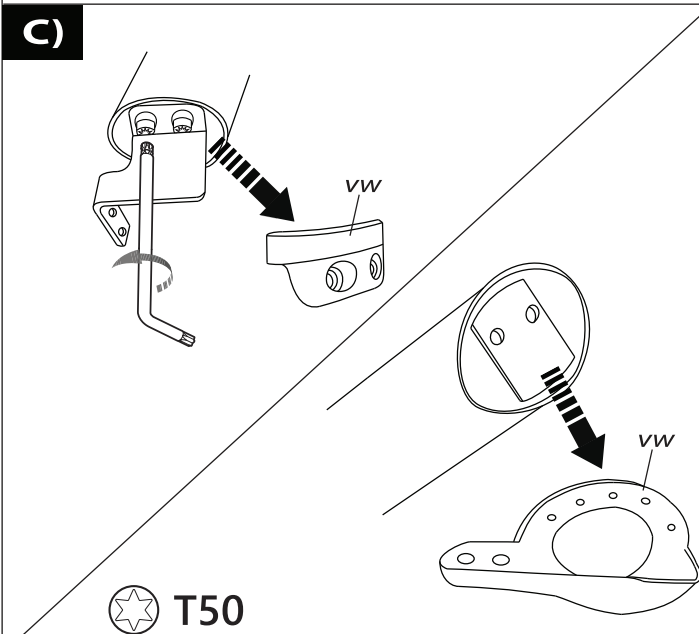
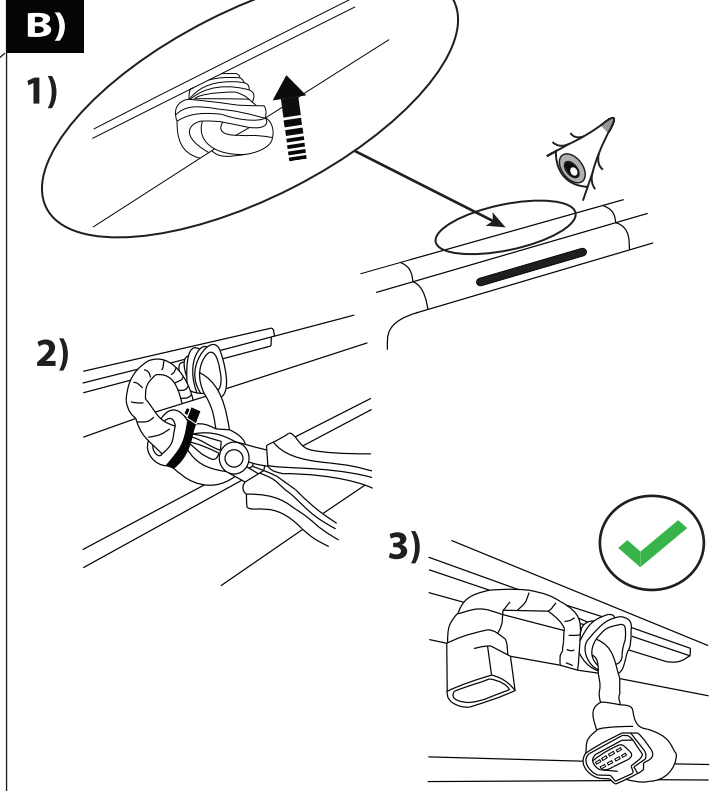
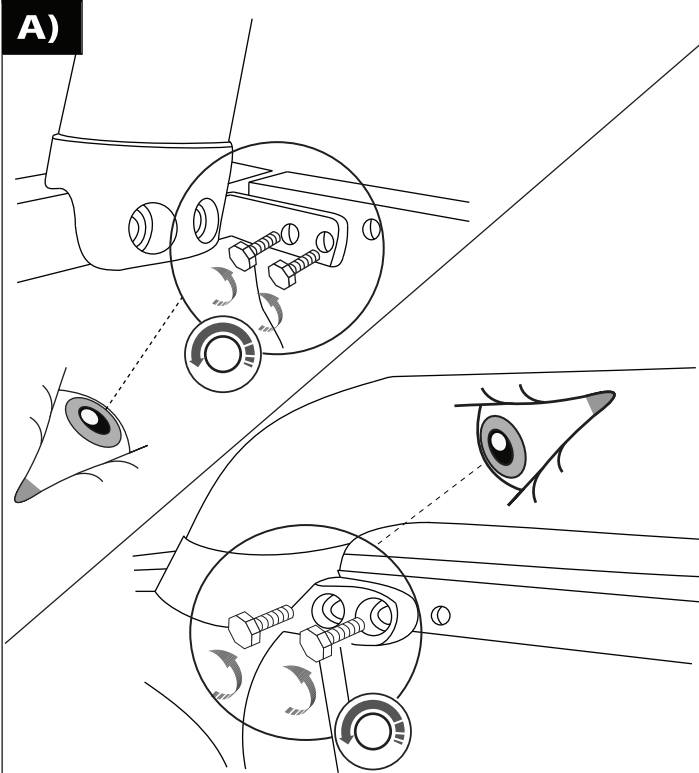
12



12.0

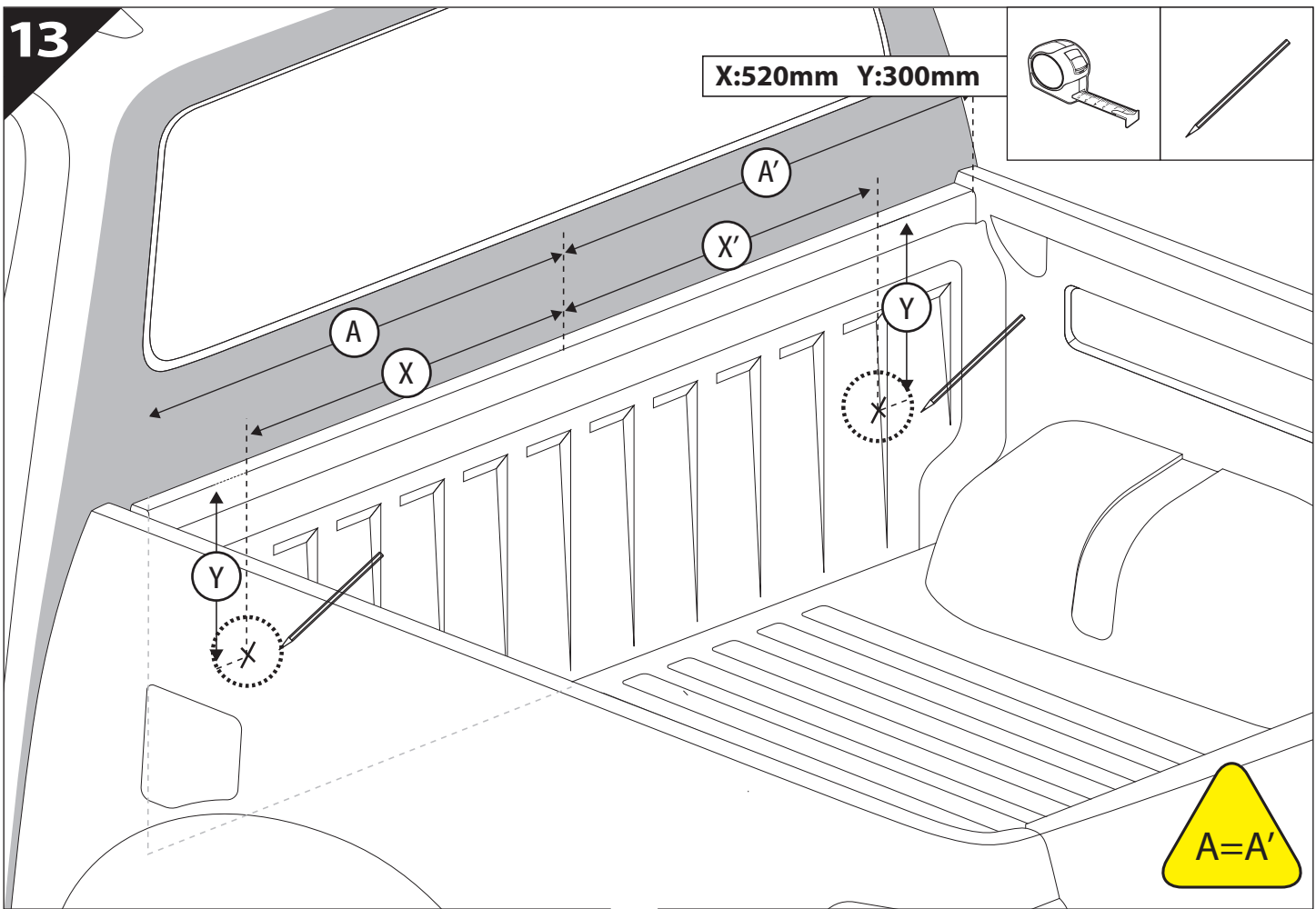
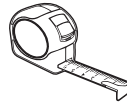


12. 2

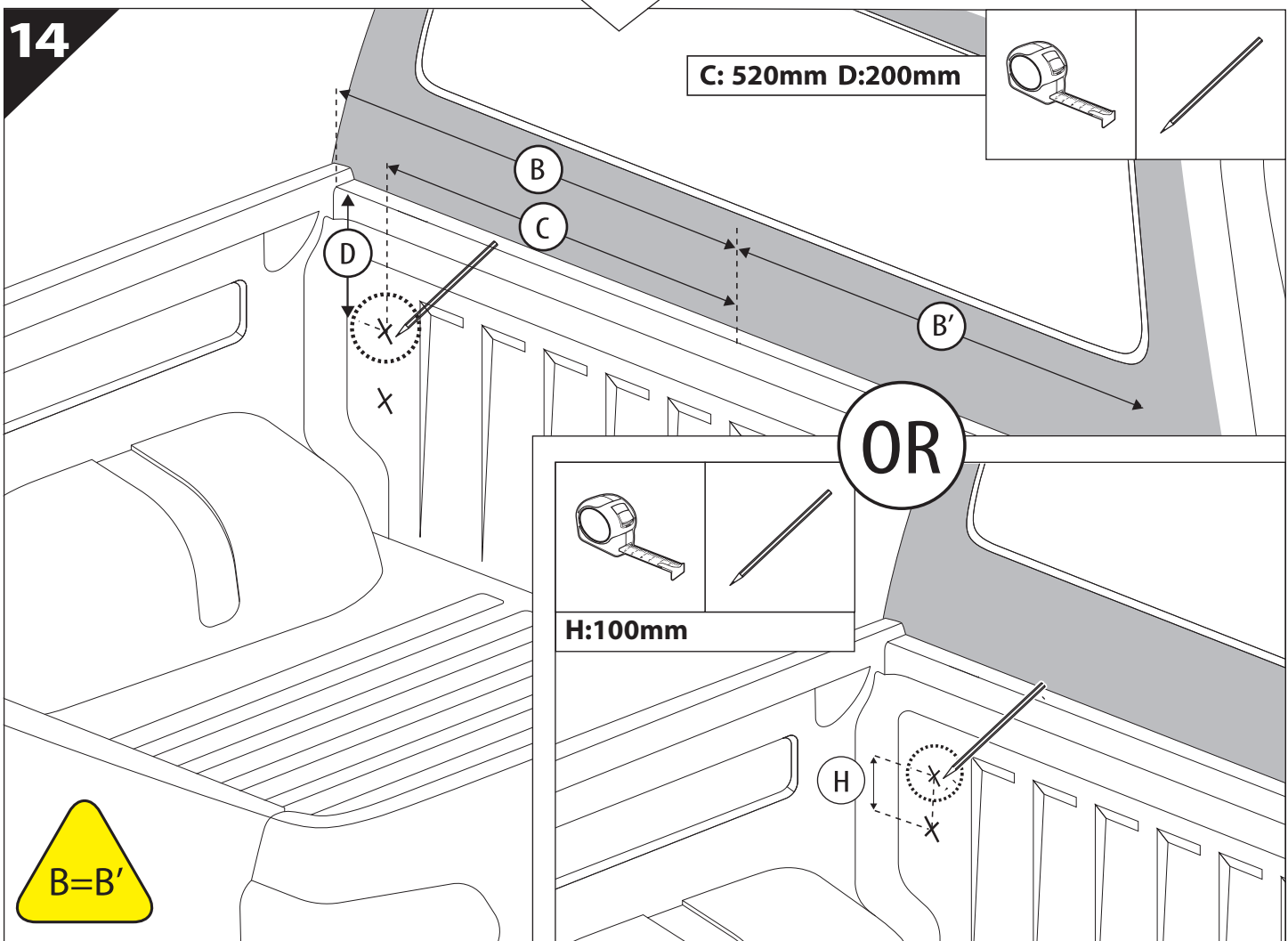
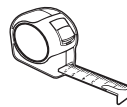


13

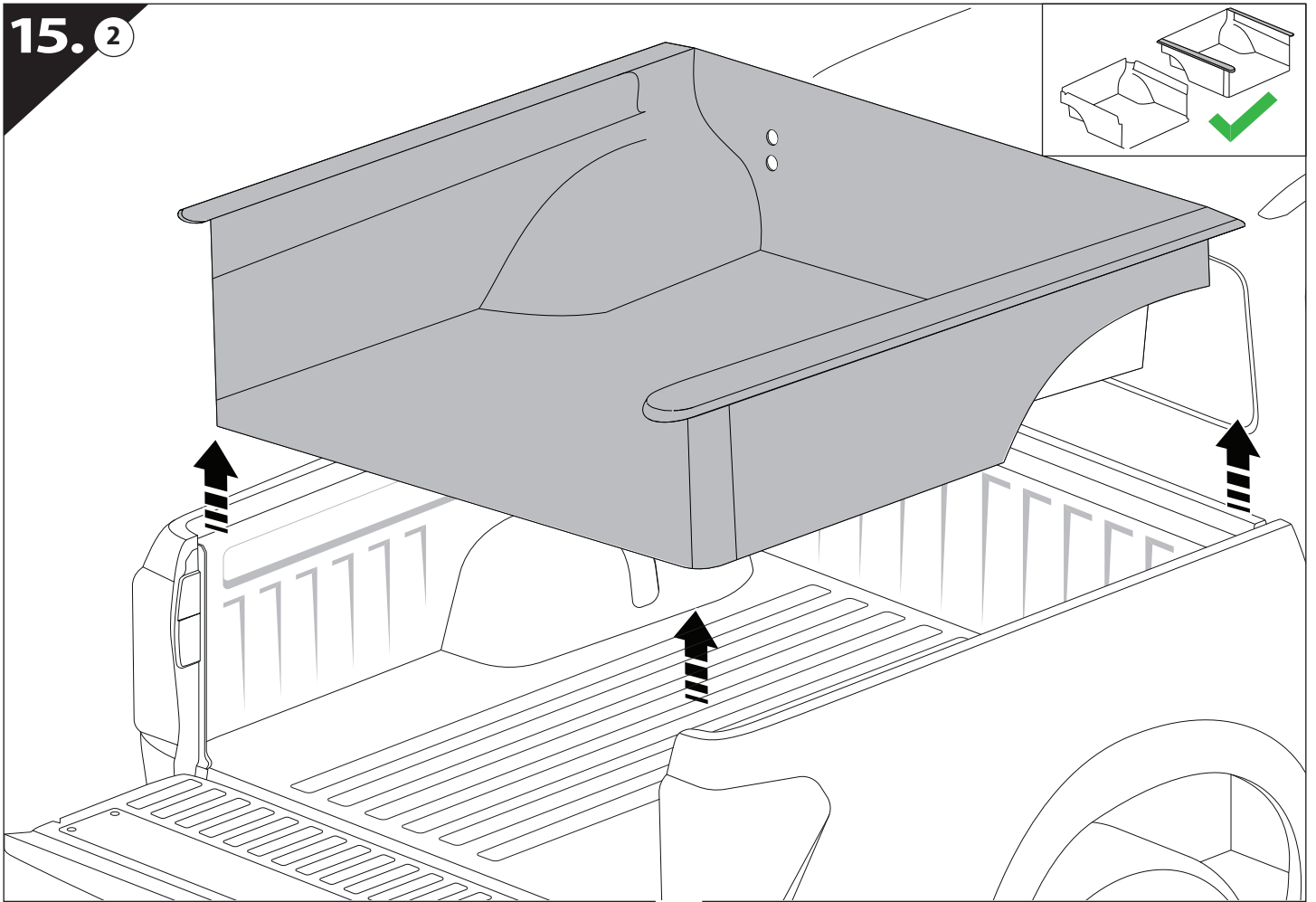
X:520mm Y:300mm



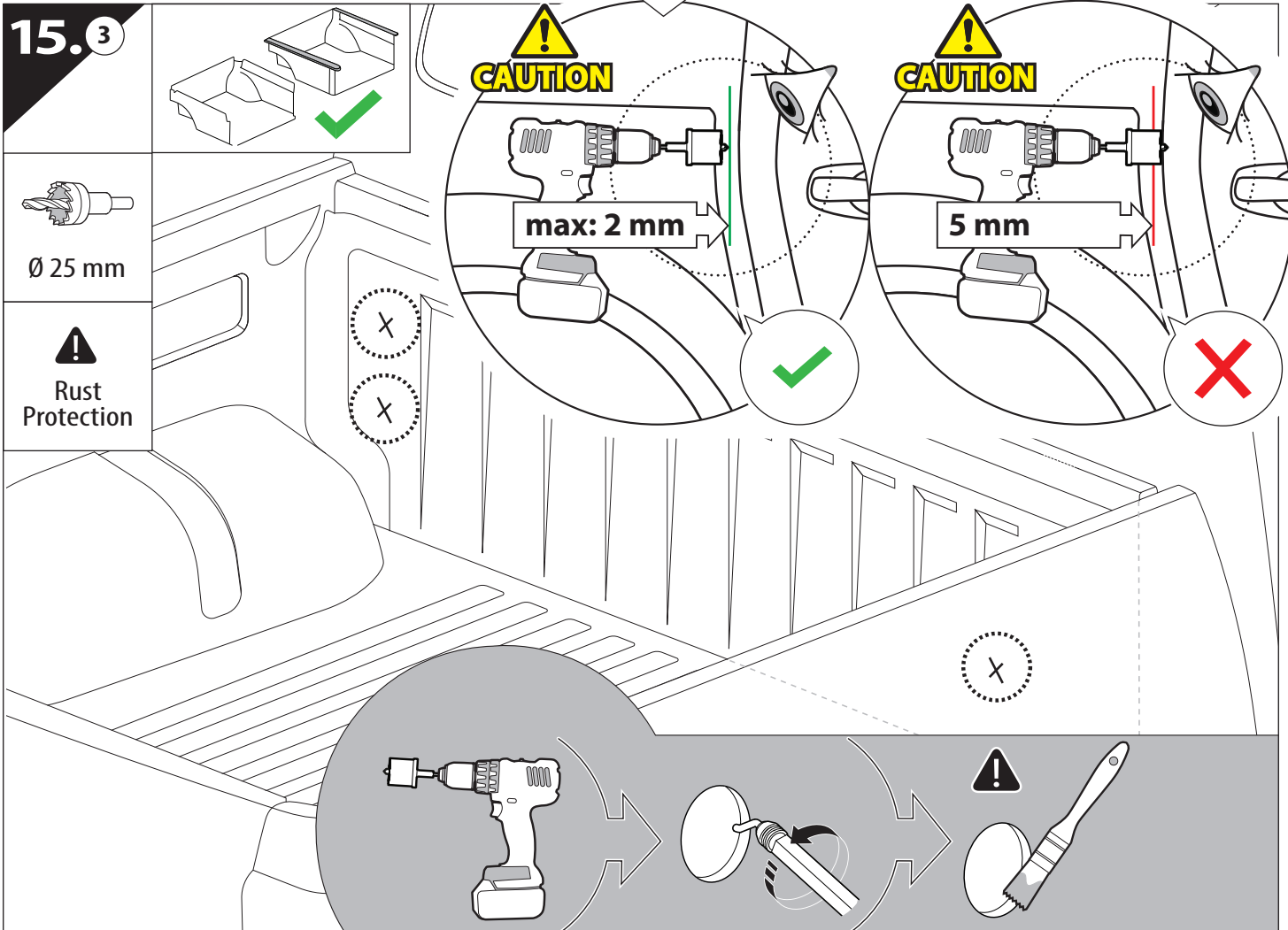
C: 520mm D:200mm



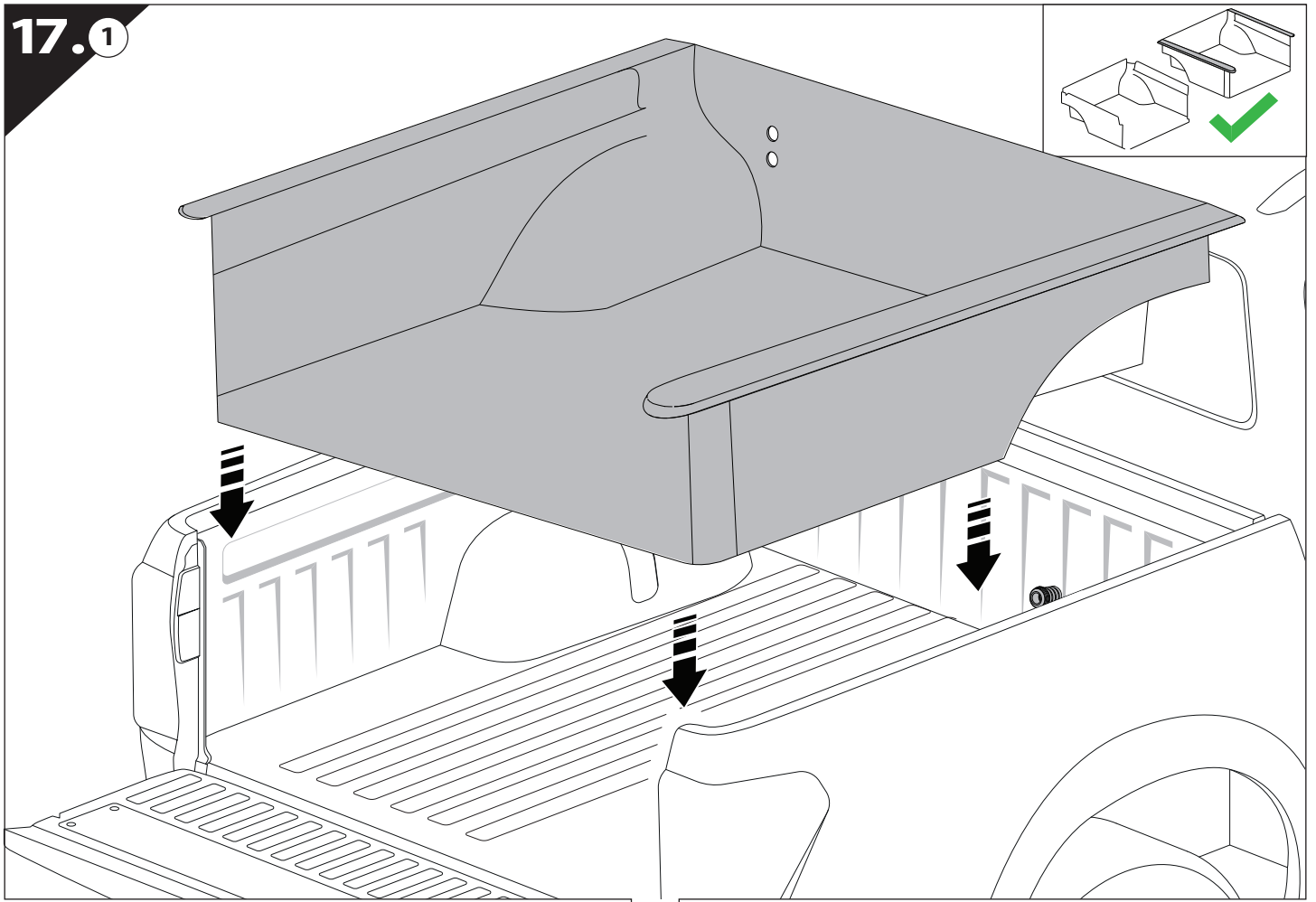
15.2



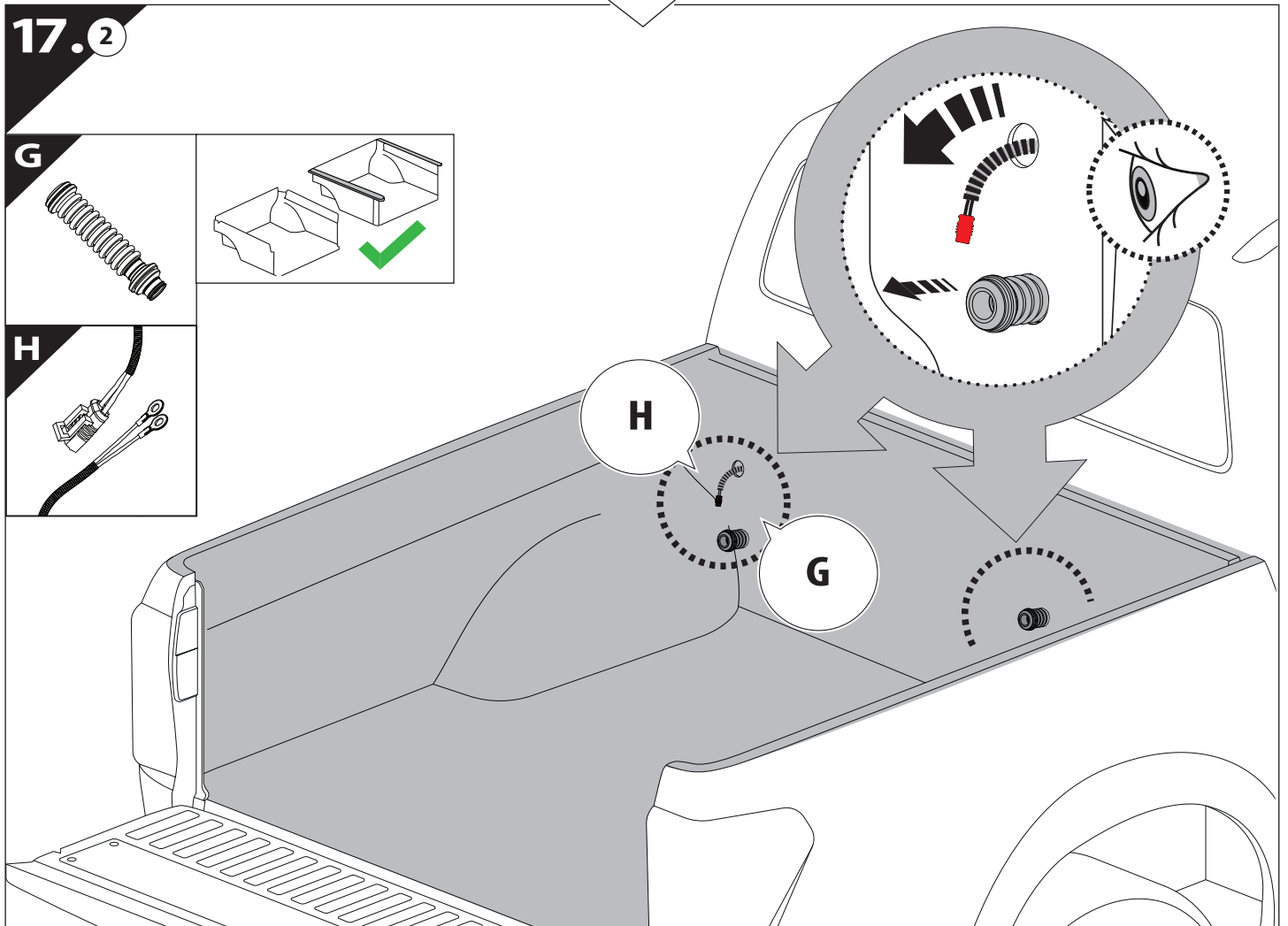
15.3



17.1

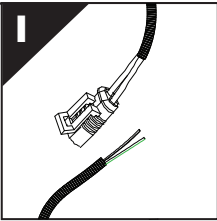


17.2

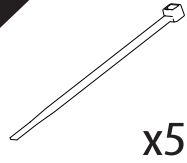


18

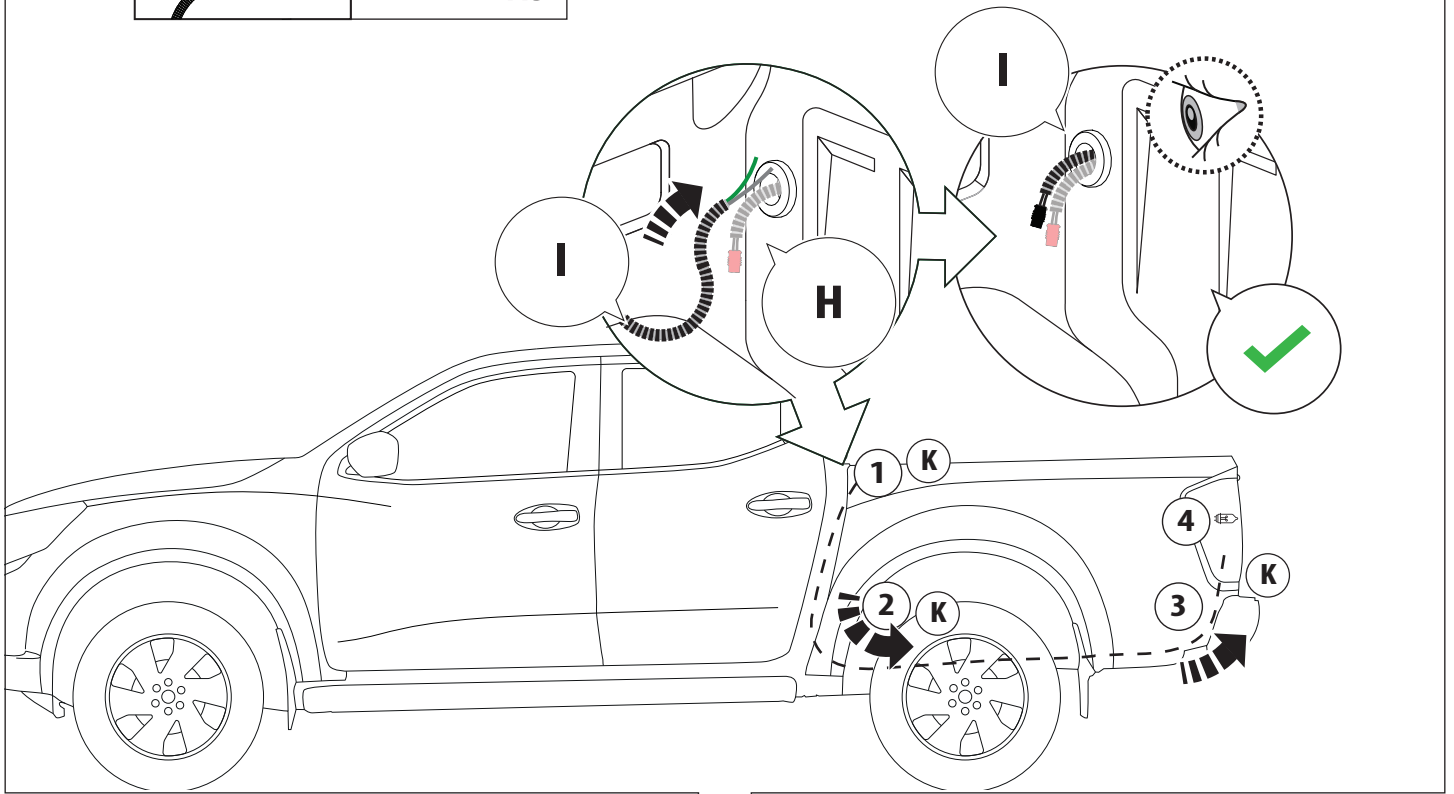
I



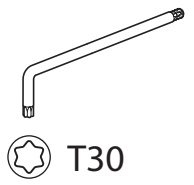
K



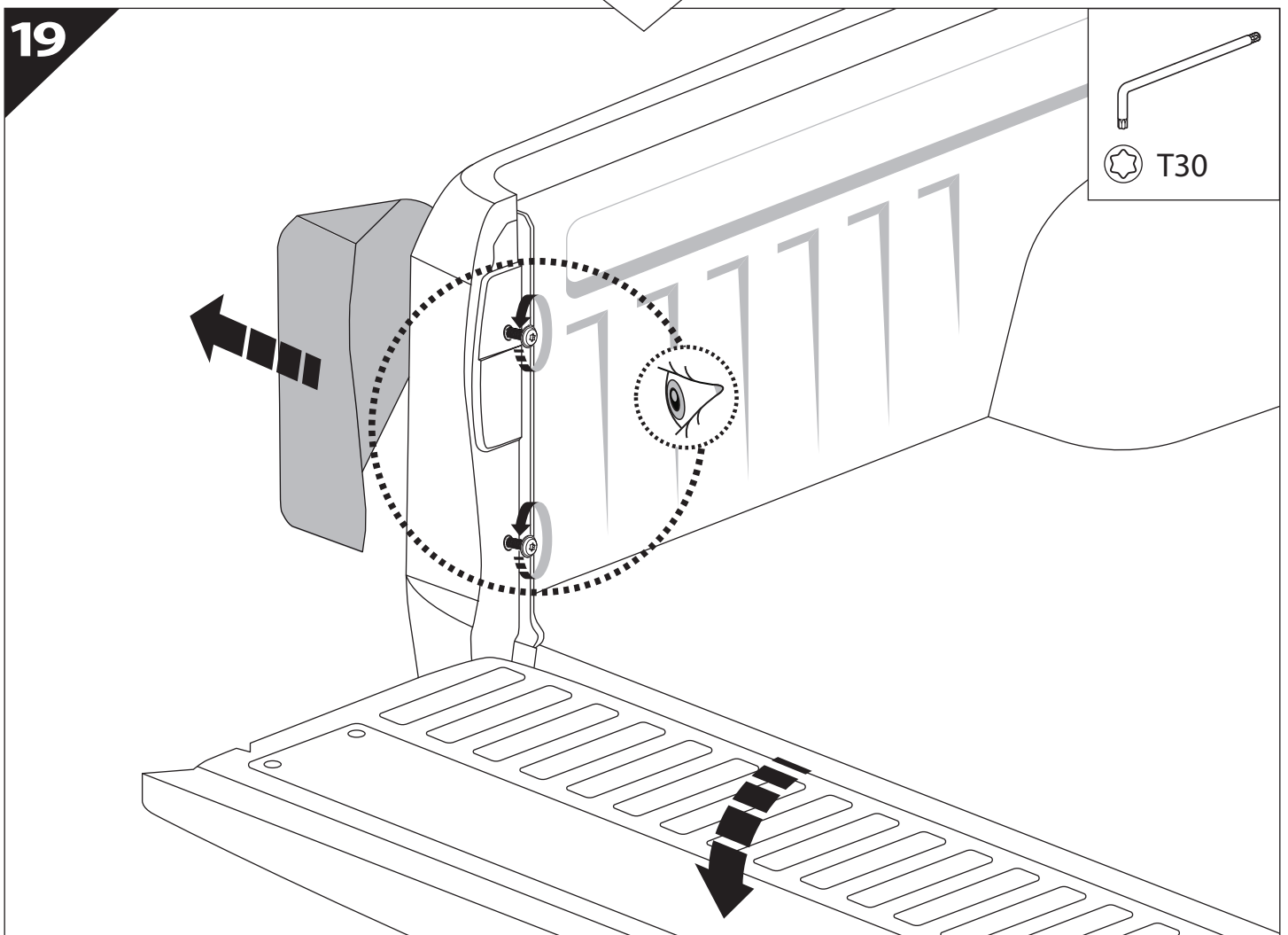
x5



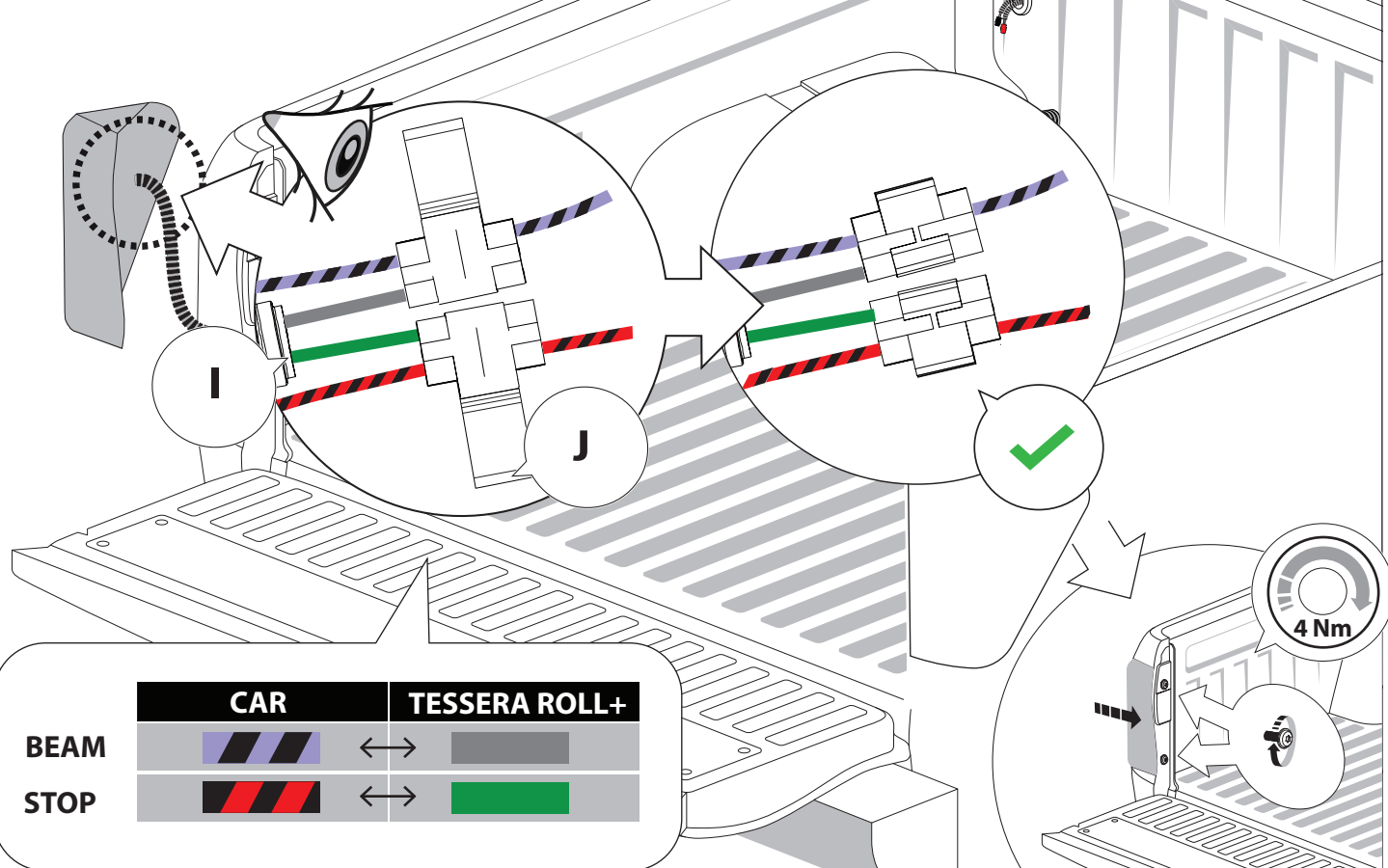
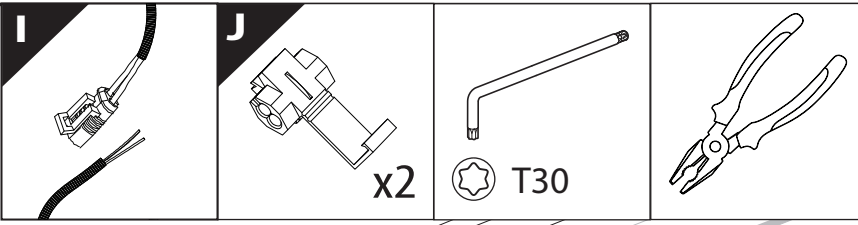
19

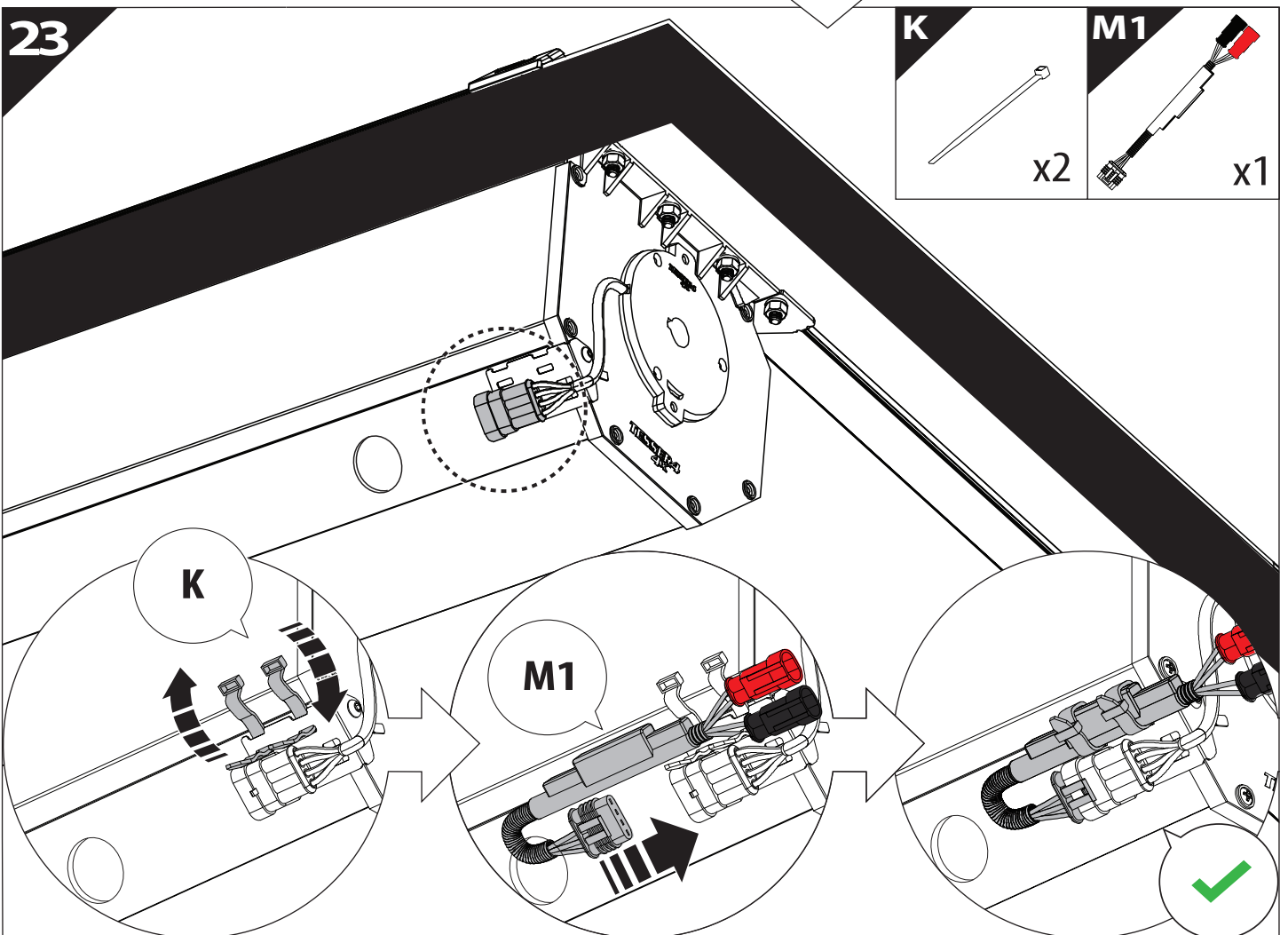
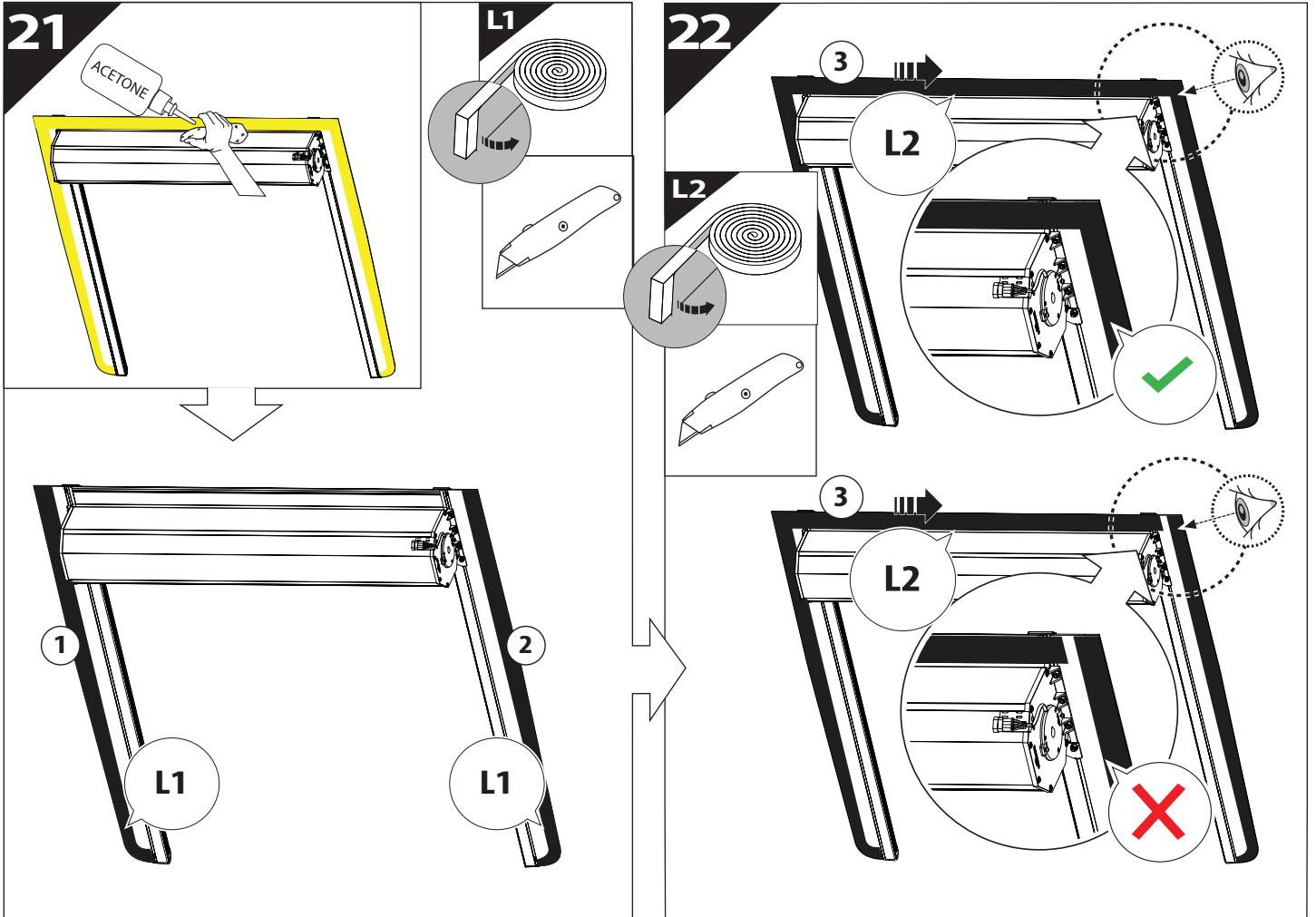


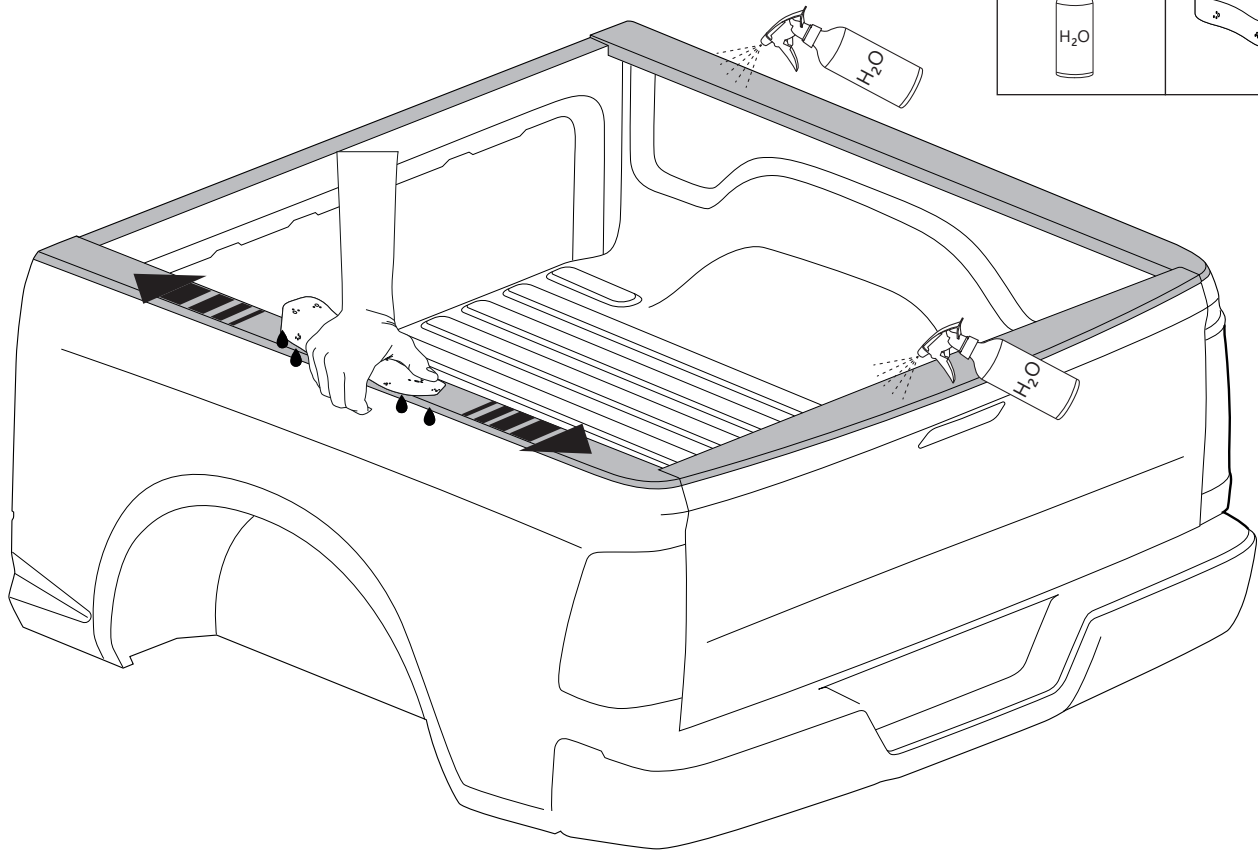
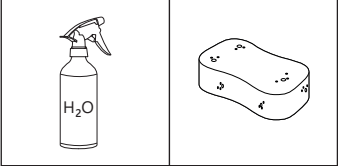
T30

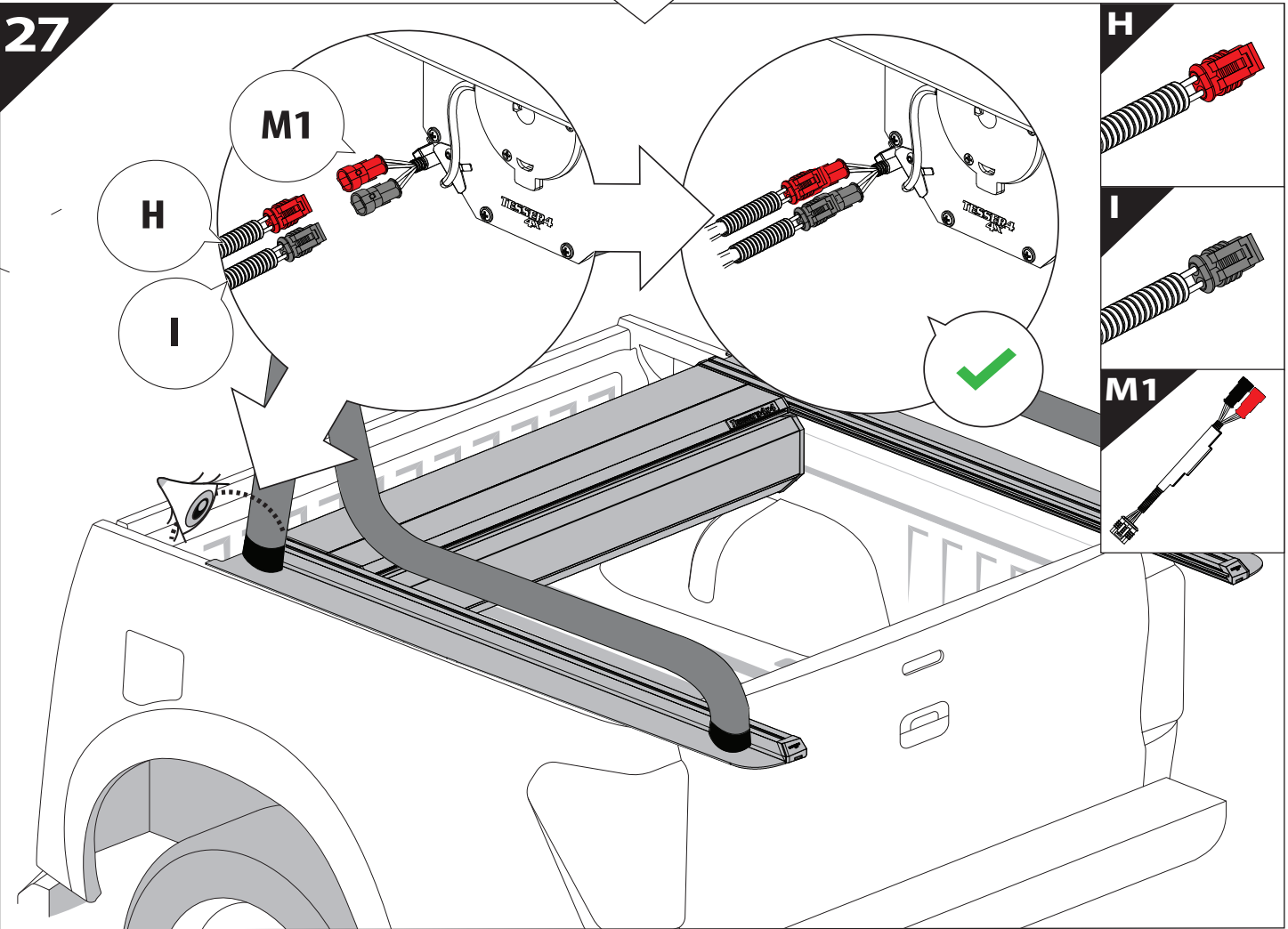
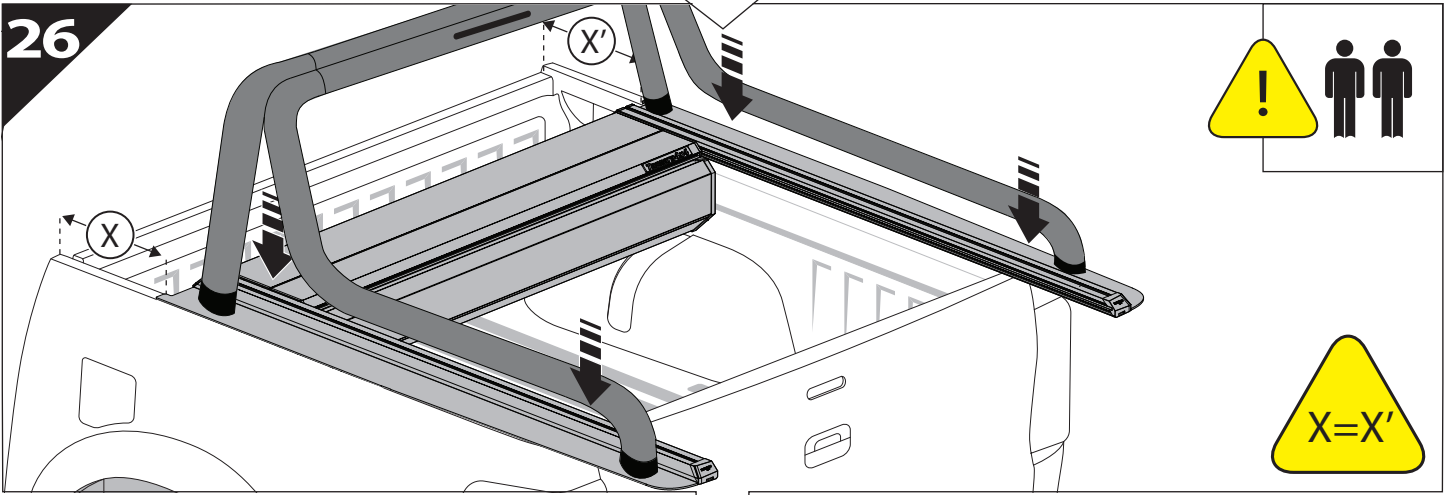
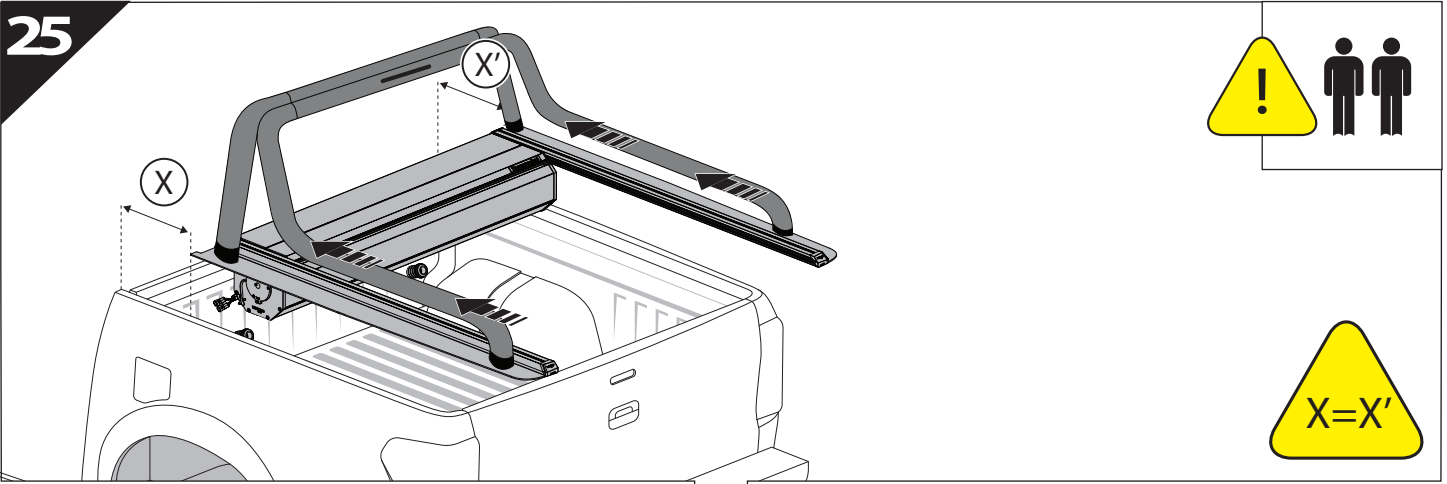


20

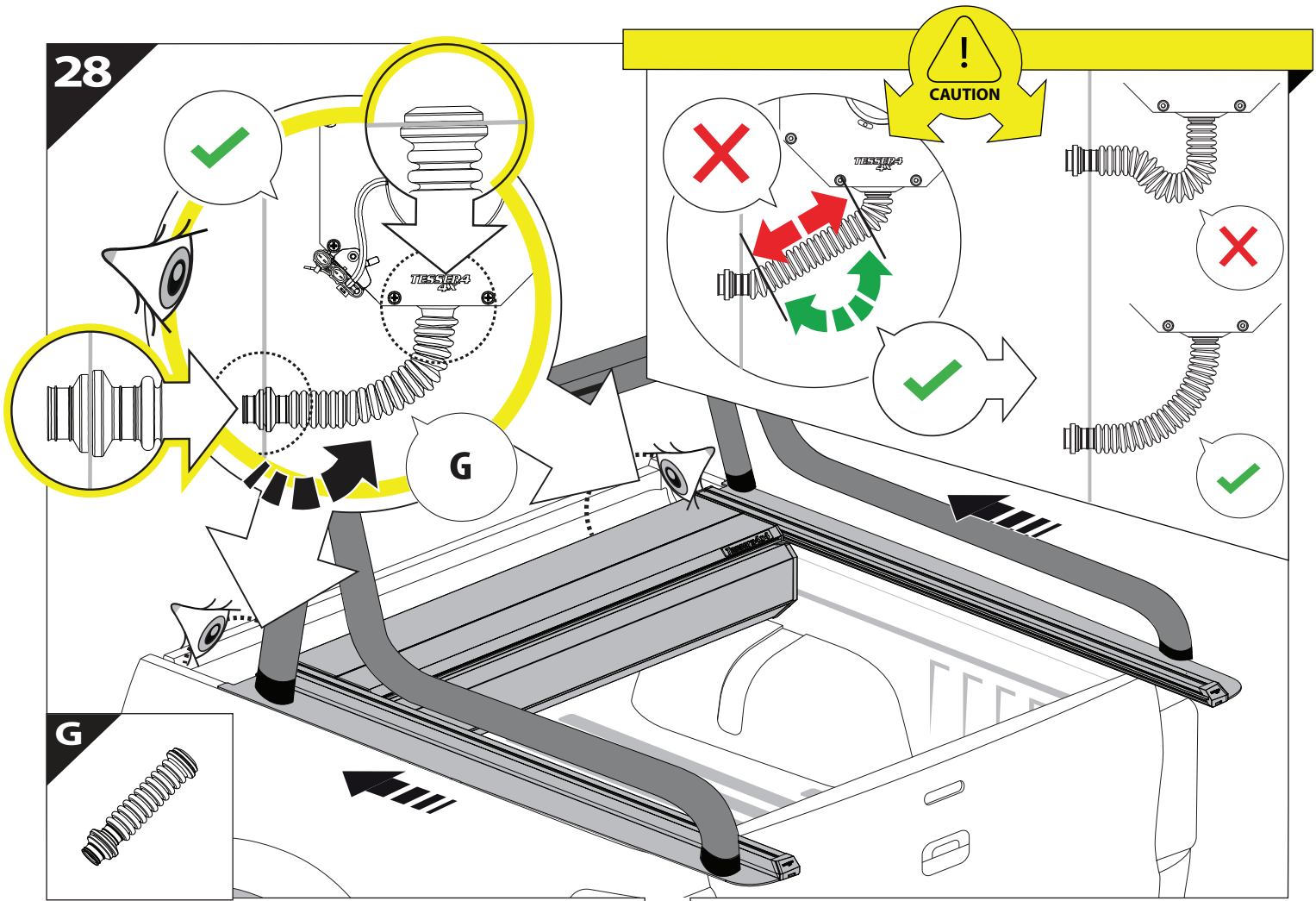




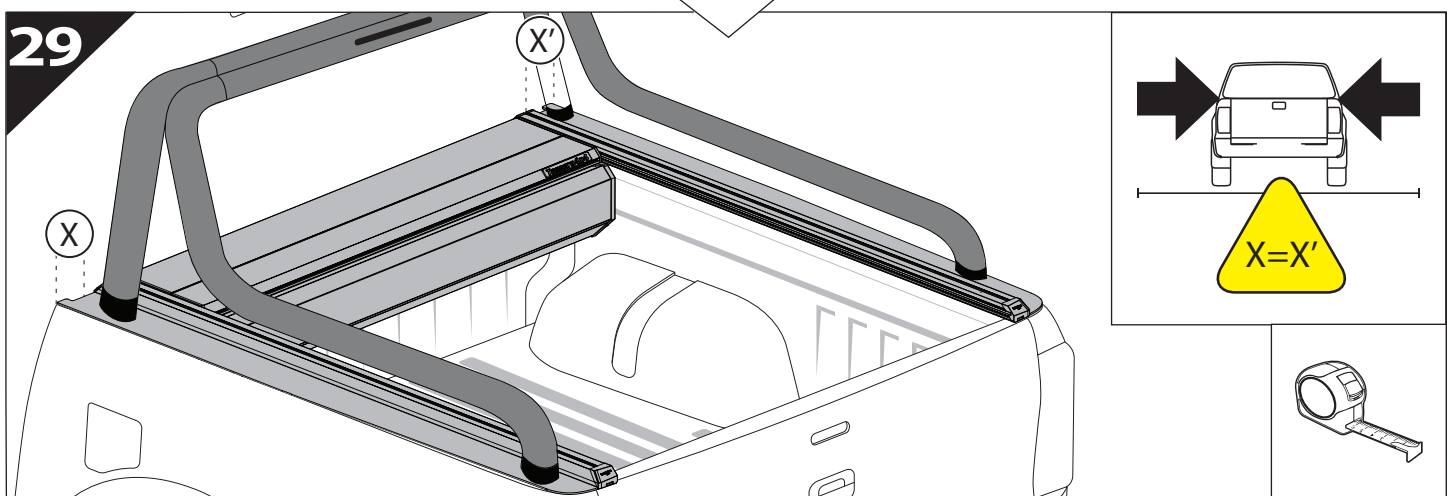




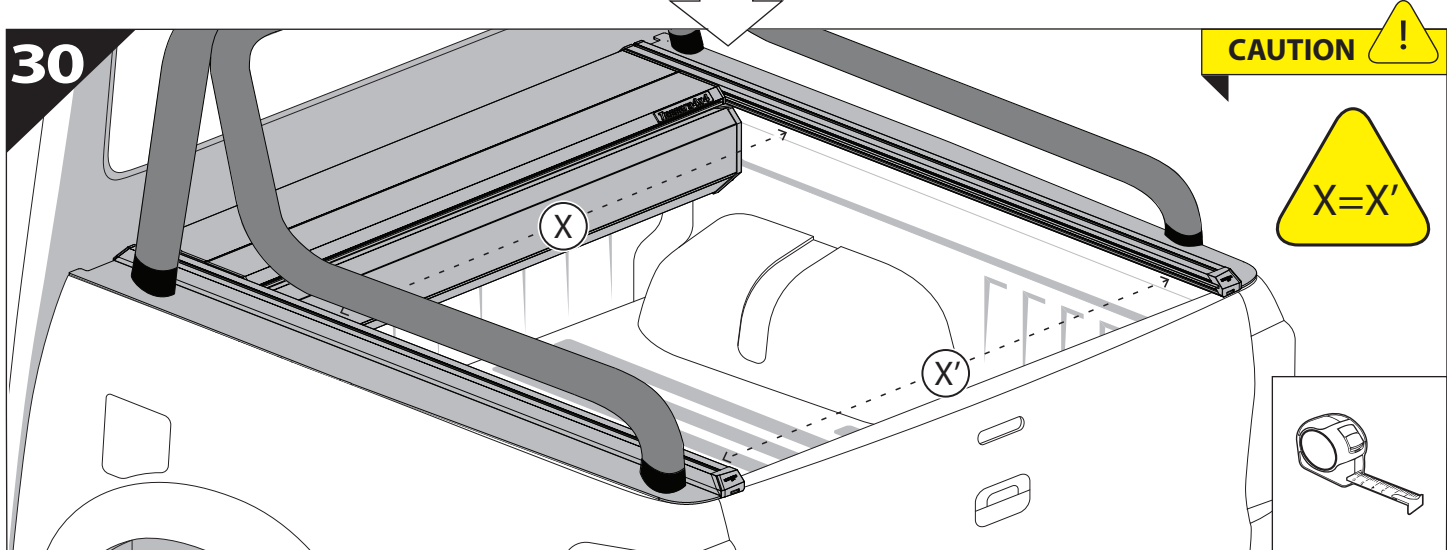
28



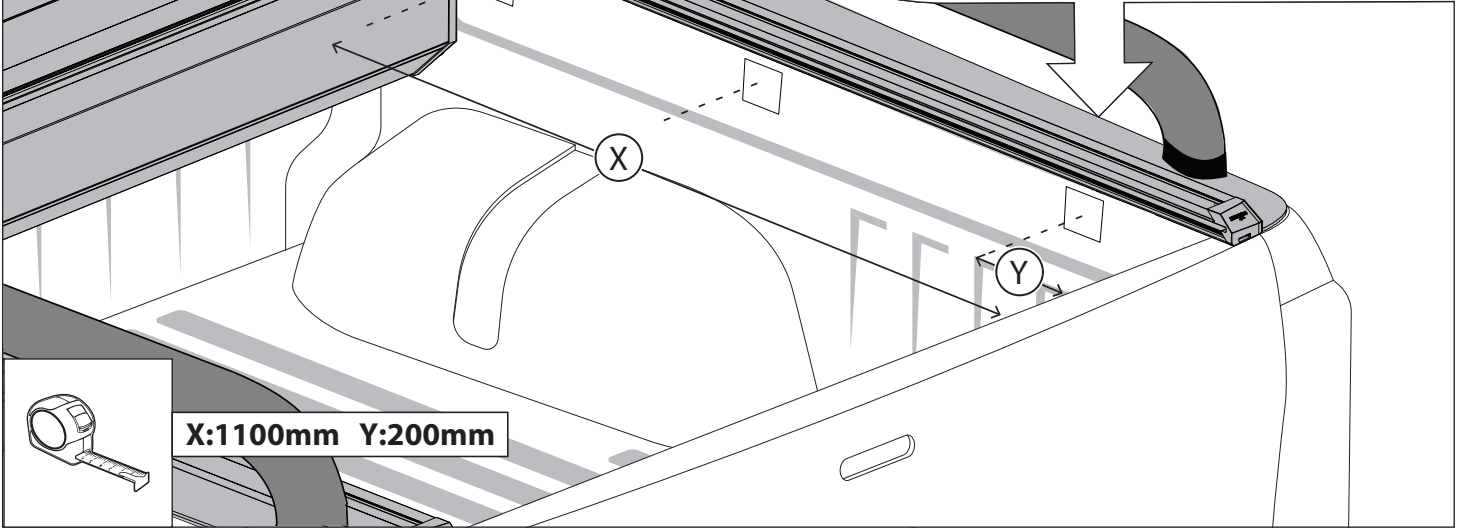
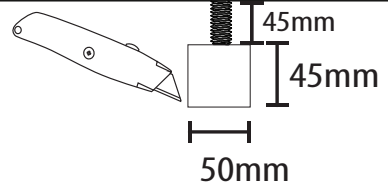
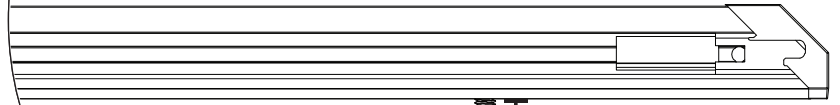
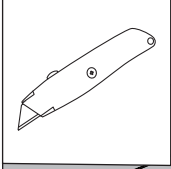
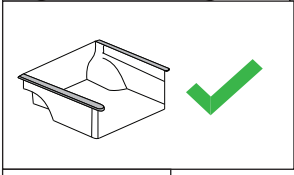
29



30

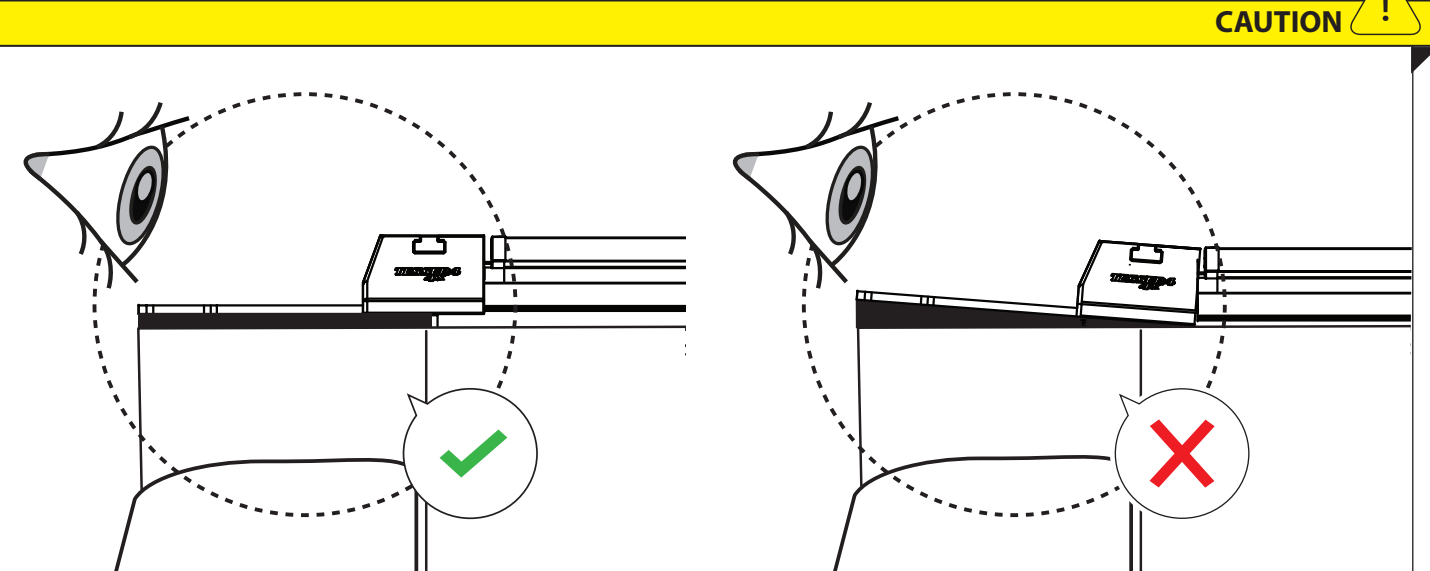
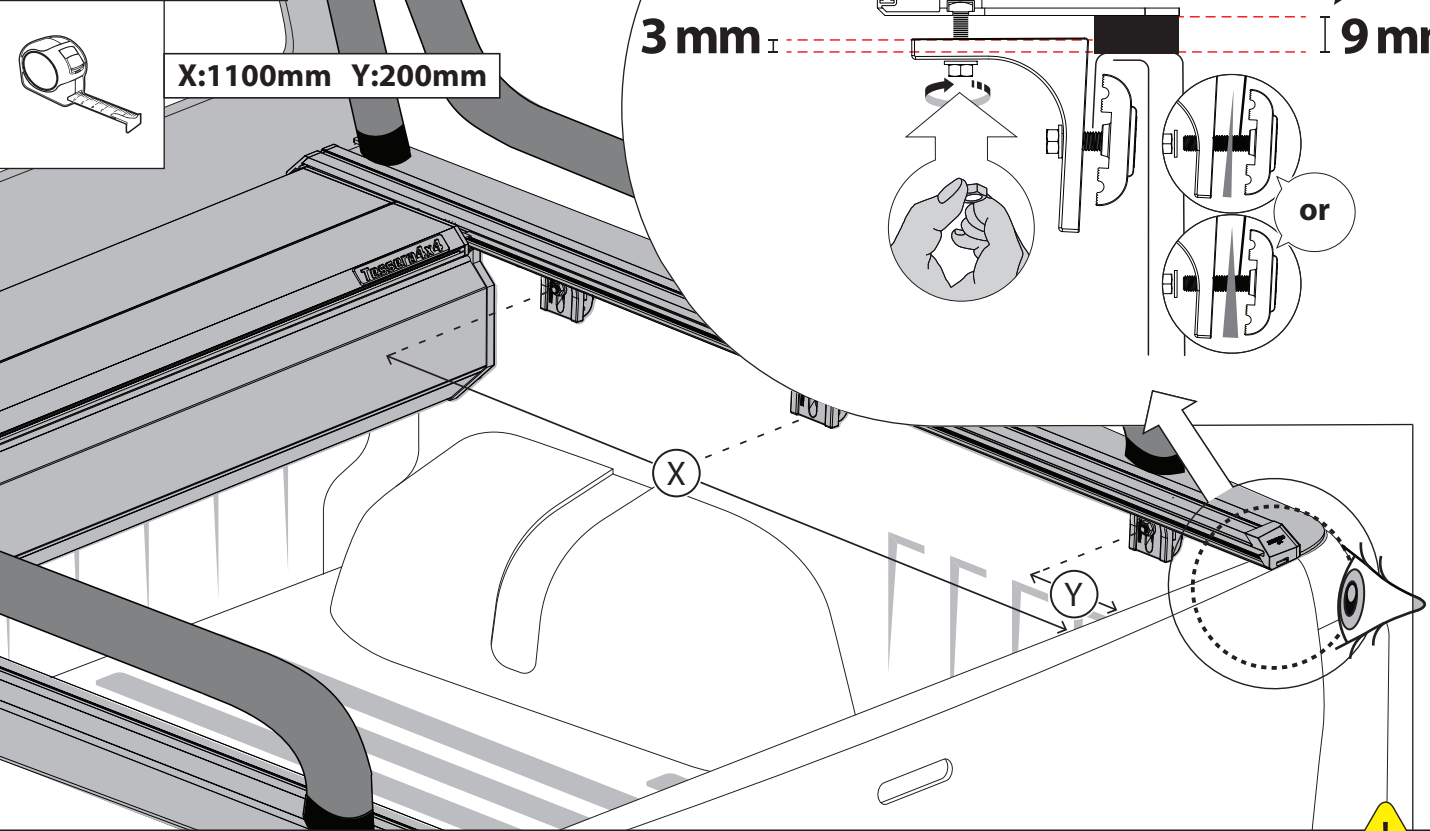
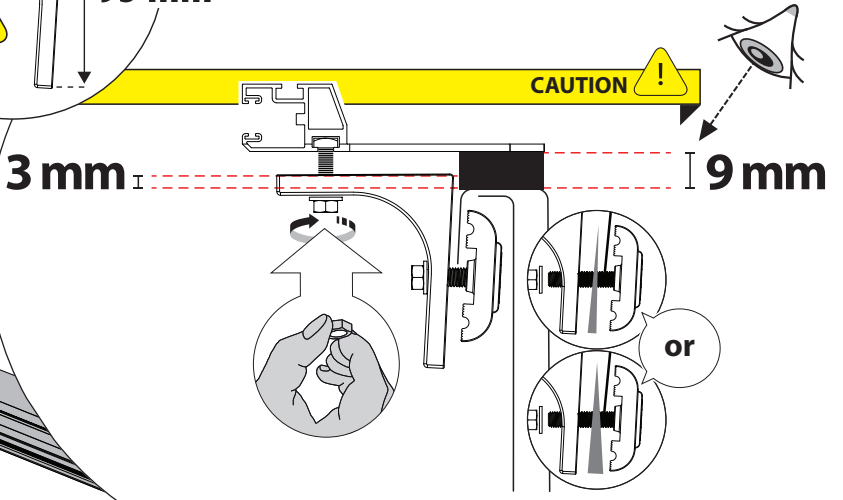
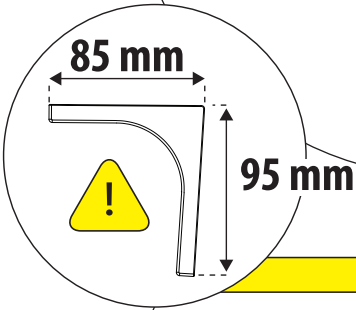
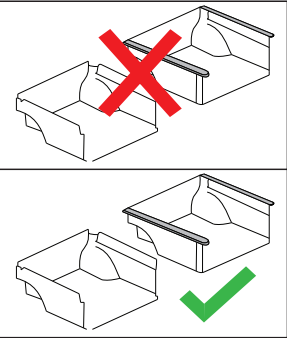
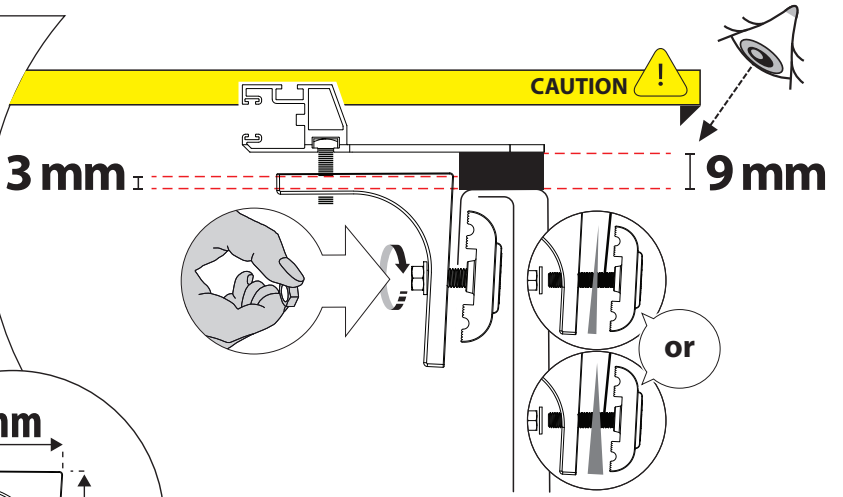
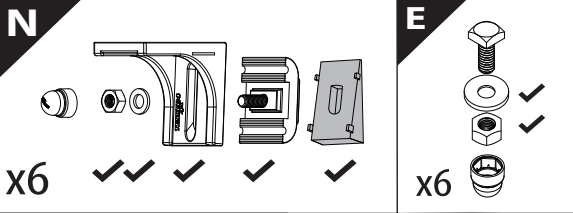


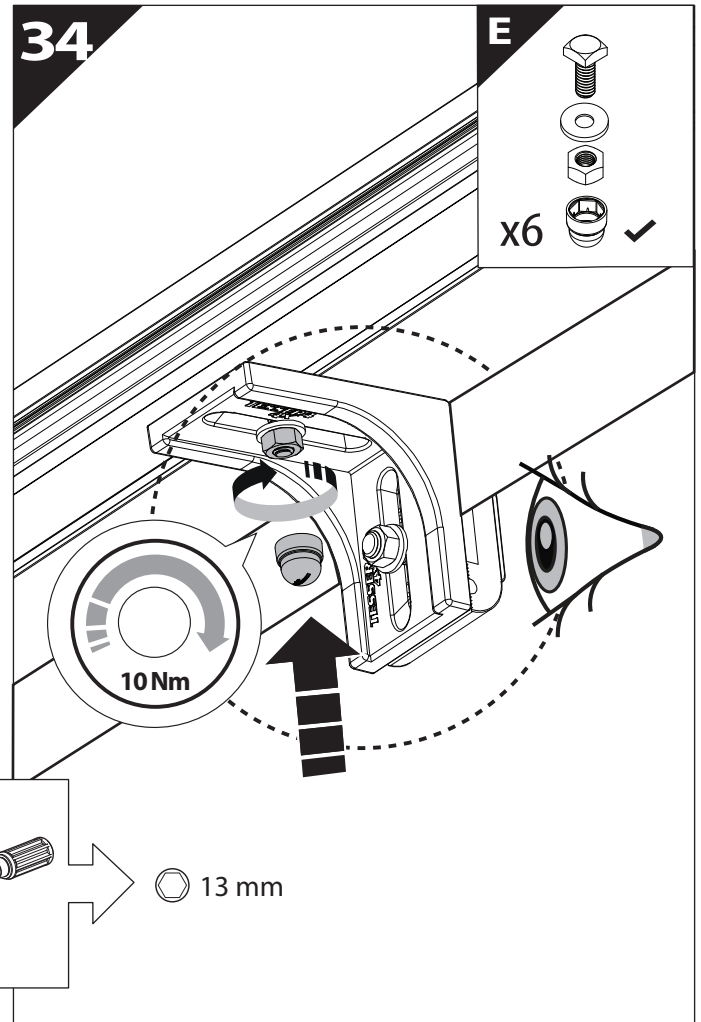
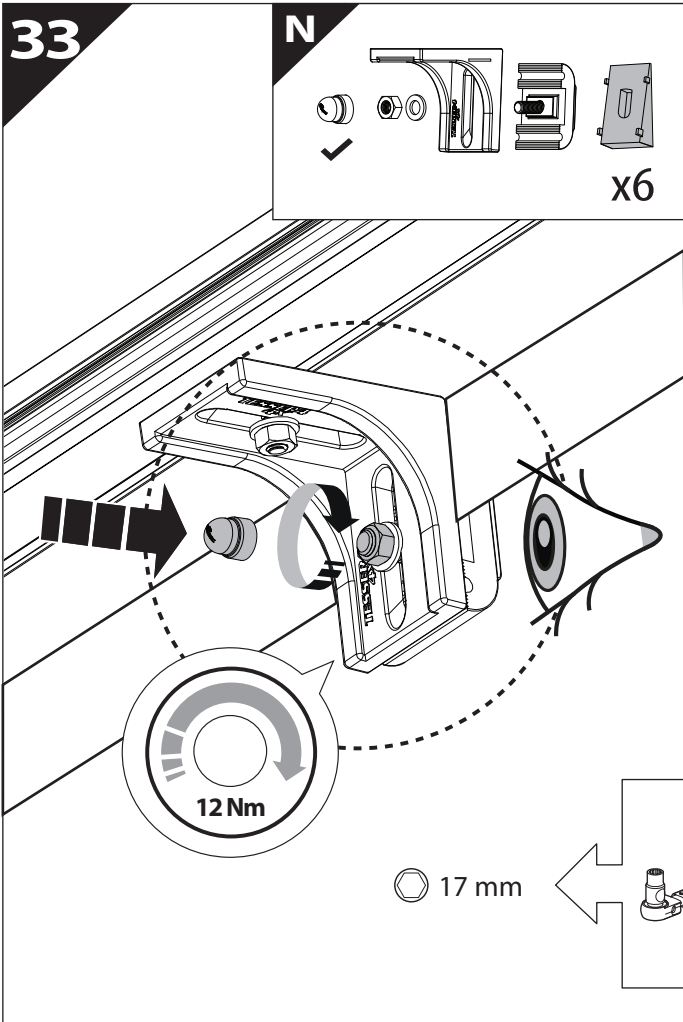
31



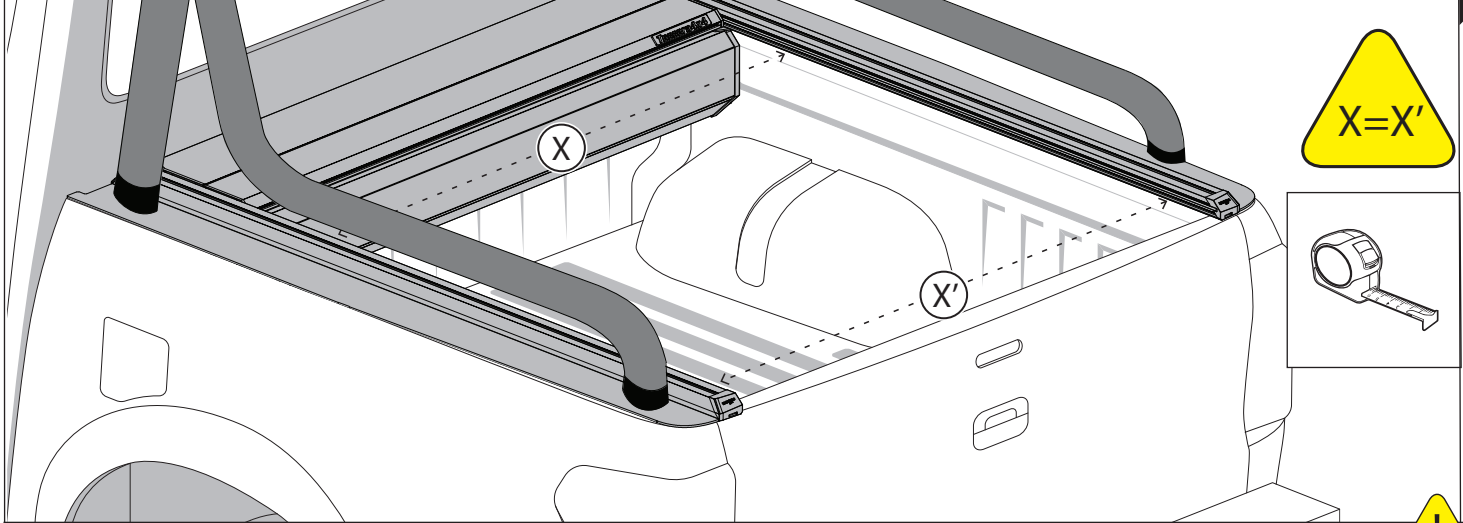
X:1100mm Y:200mm

32

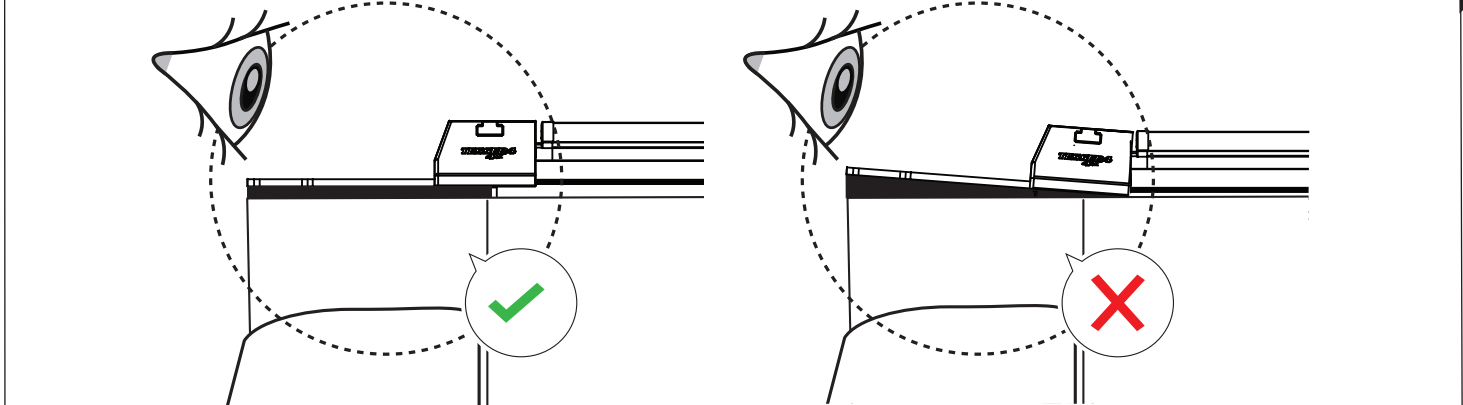




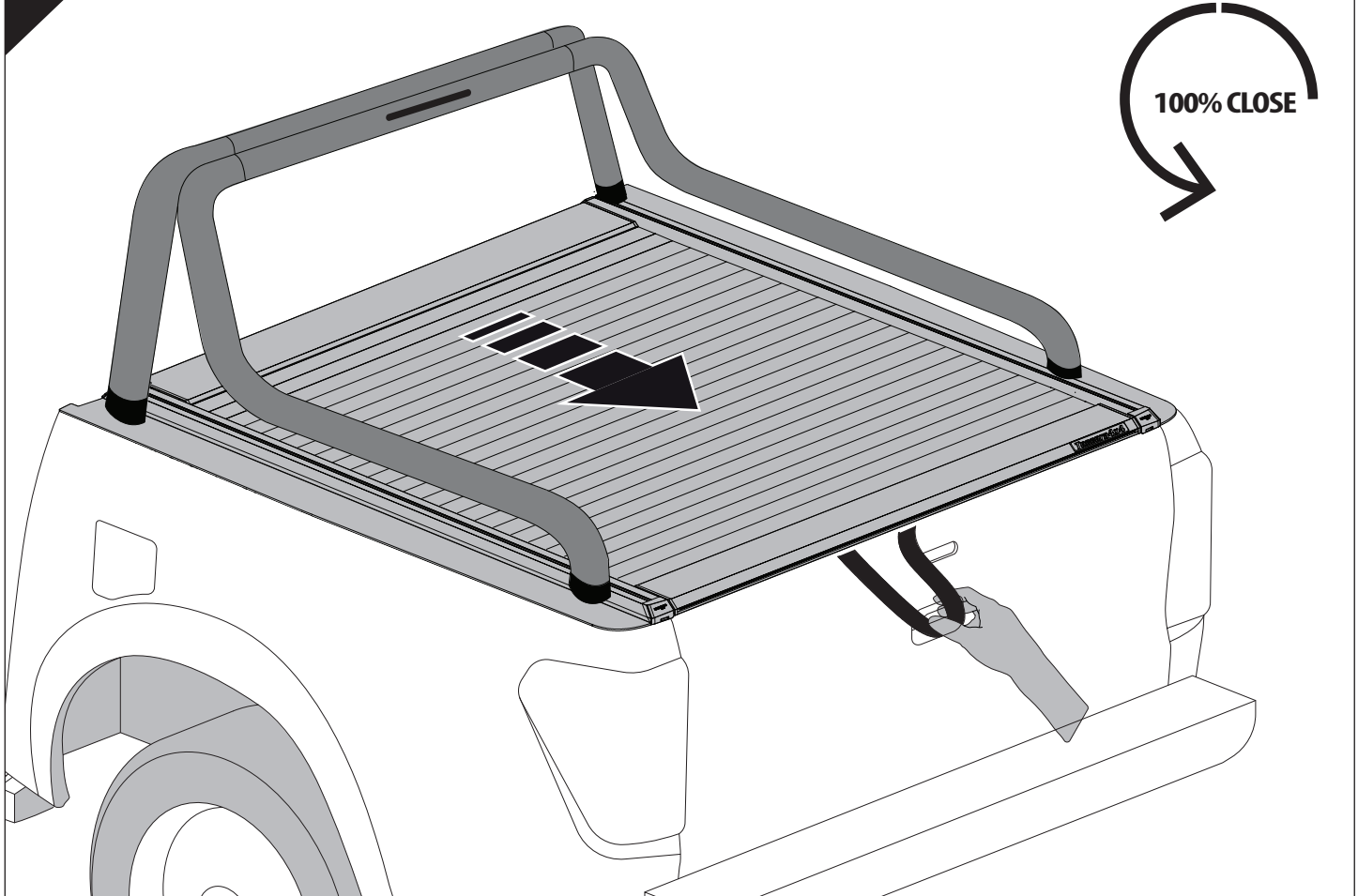
CAUTION !



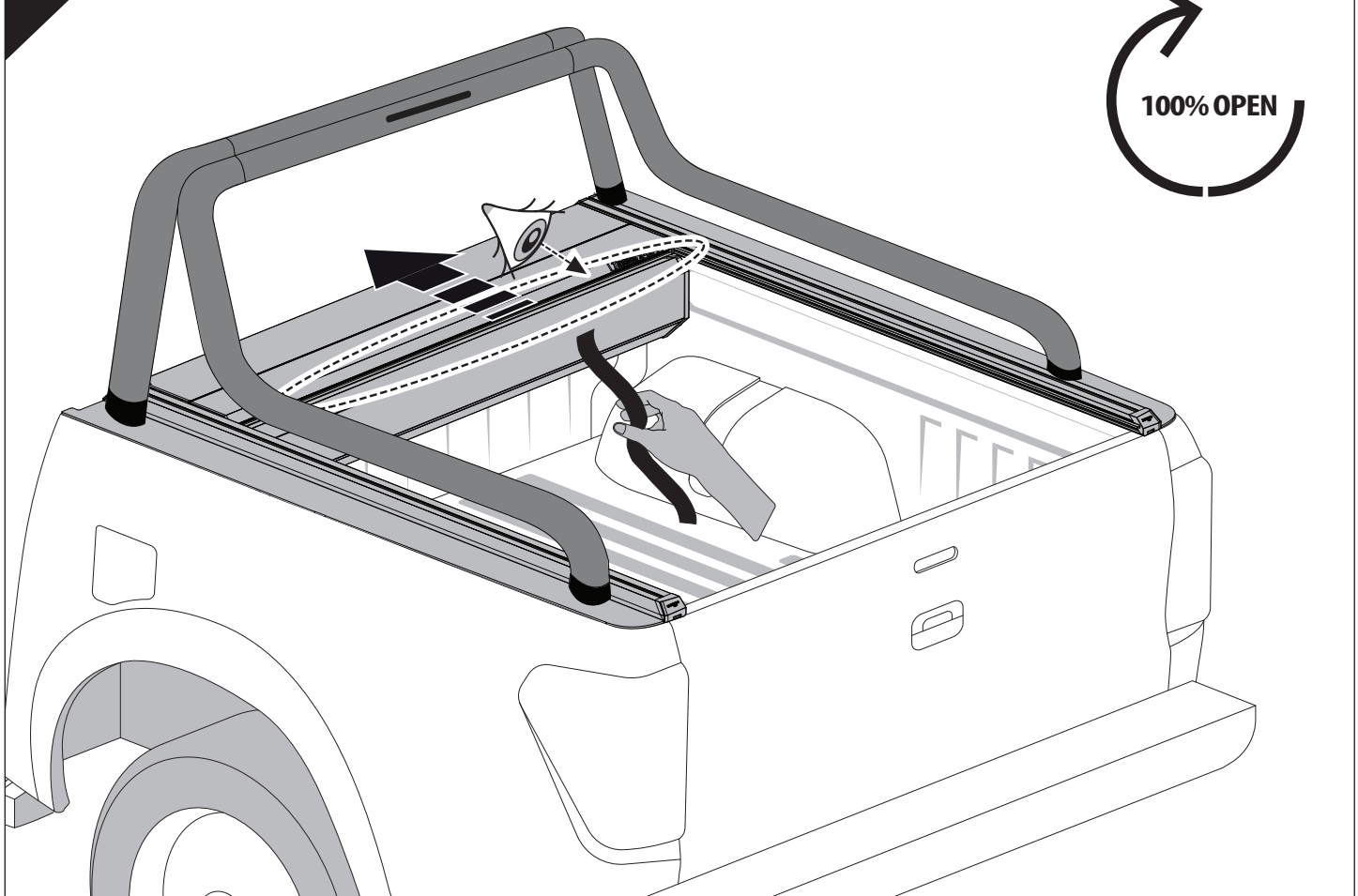
CAUTION !



35



36





GR: Οδηγίες Εγκατάστασης
GB: Installation manual
SF: Asennusohje
F: Notice de montage
PL: Instrukcja montażu
NL: Installatie-instructies
TR: Montaj Talimatı
S: Monteringsanvisning
E: Instrucciones de montaje

H: Szerelési utasítás
P: Instruções de instalação
RUS: Инструкция по установке
N: Monteringsveiledning
D: Einbauanleitung
CZ: Návod k instalaci
I: Istruzioni de montaggio
DK: Monteringsvejledning
RO: Instructiuni de instalare

Customer Service:

+30 (210) 5541161, +30 (210) 5541154 (08:00 - 16:00 EET)

Support department:

info@gianso.gr

Website:

www.tessera4x4.com

Address:

19.5 km of National road Athens-Korinthos (Elefsina) Greece, P.C: 19200