

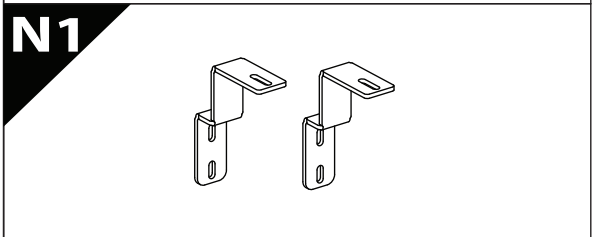
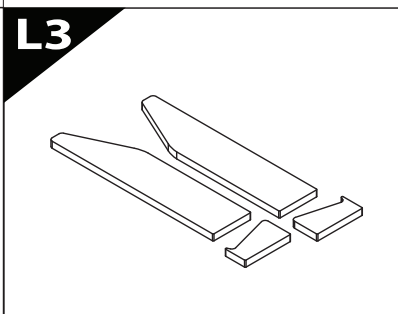
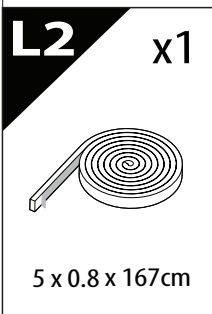
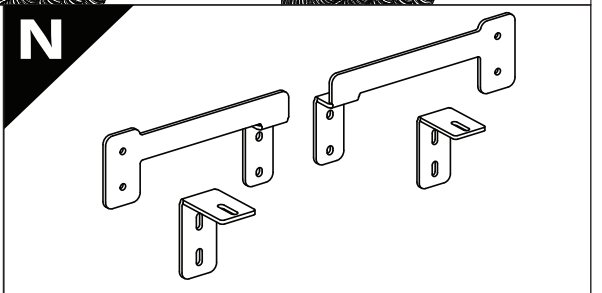
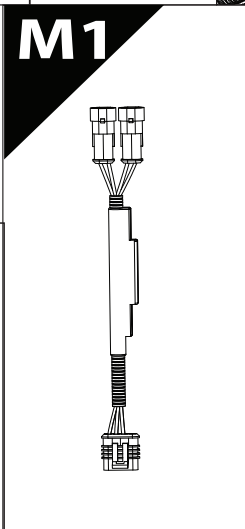
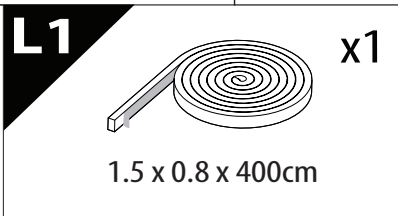
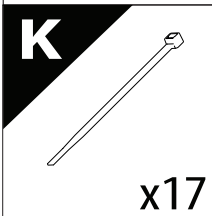
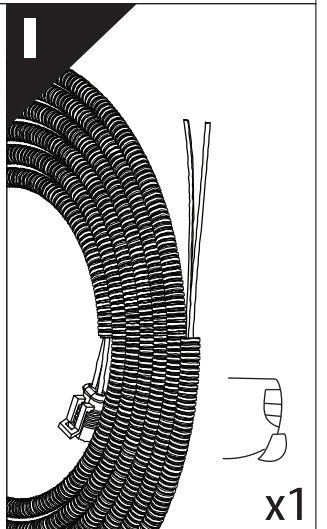
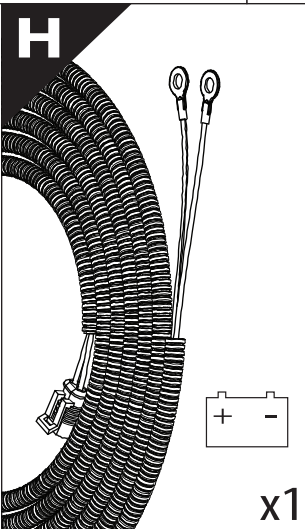
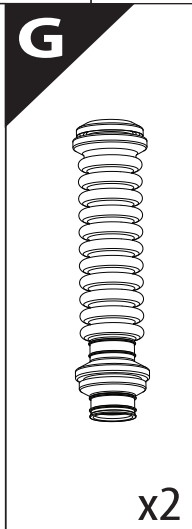
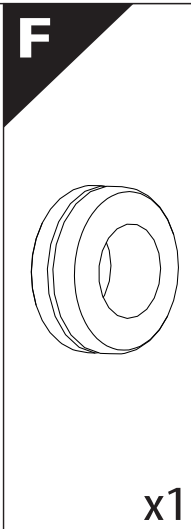
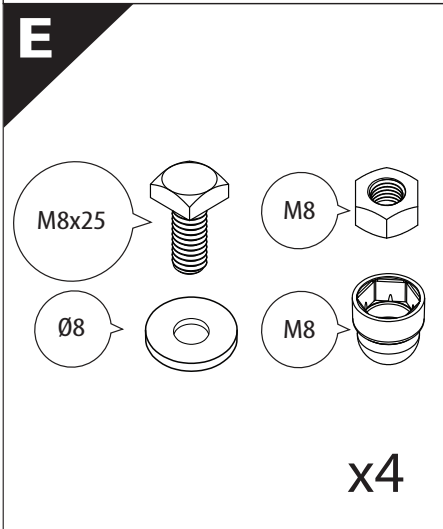
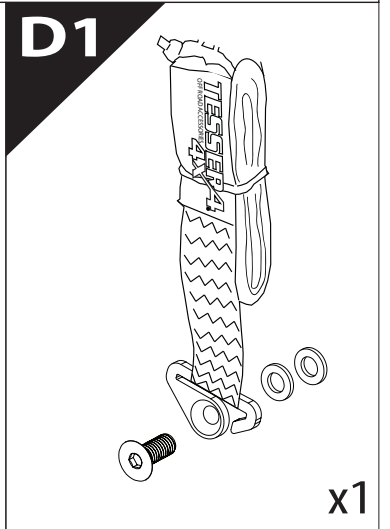
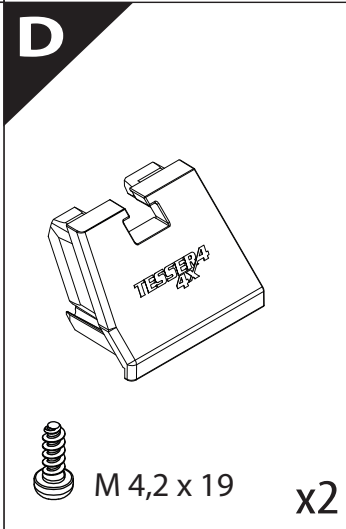
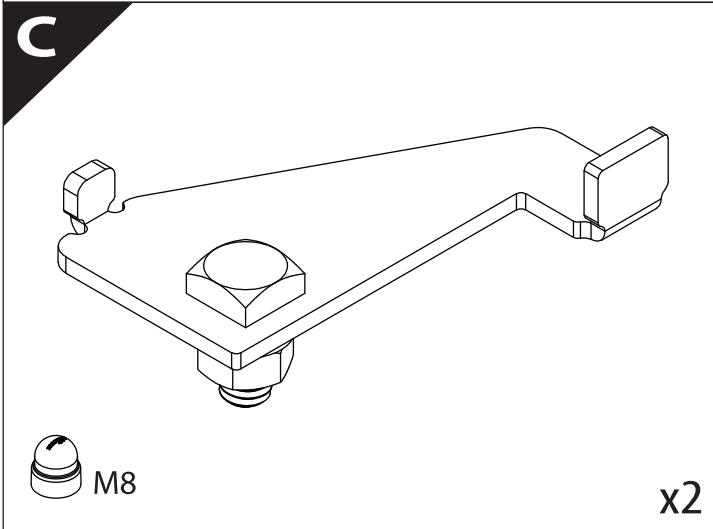
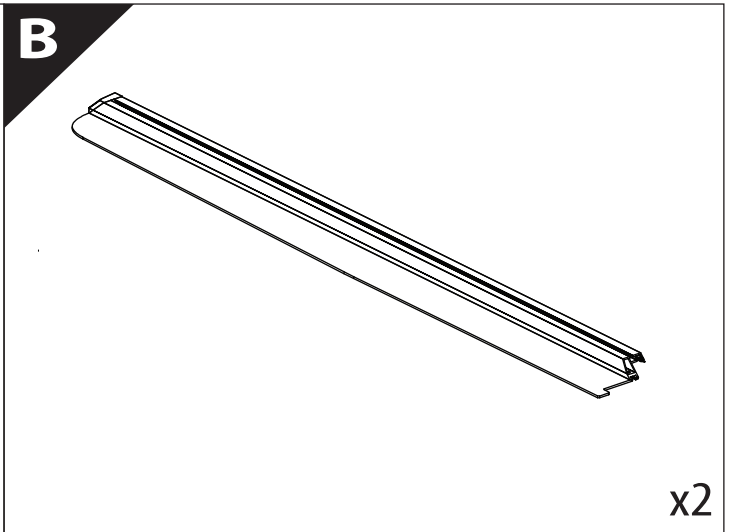
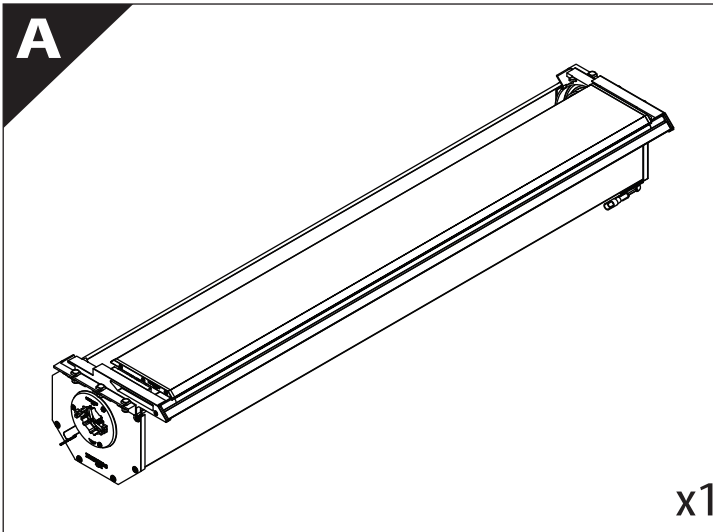
Tessera Roll+

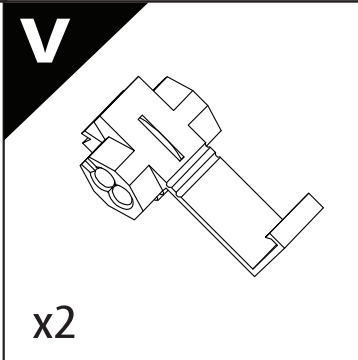
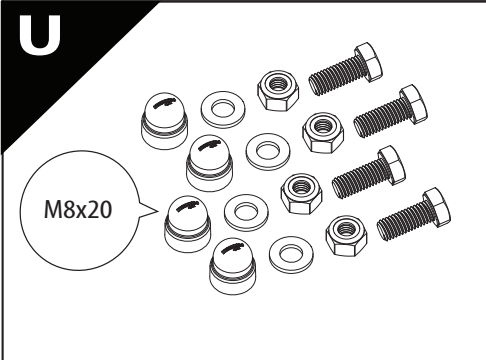
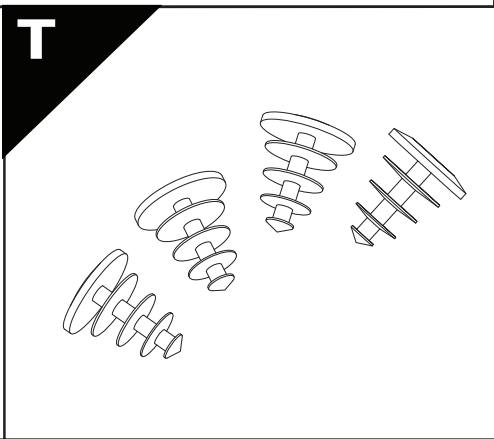
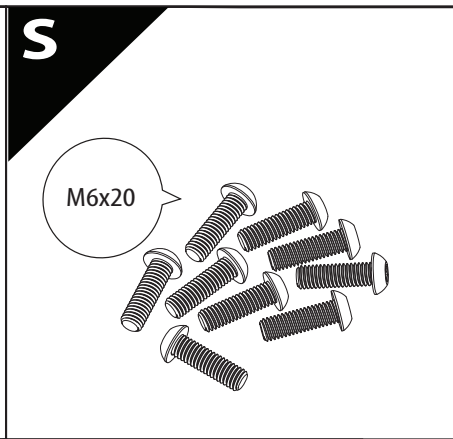
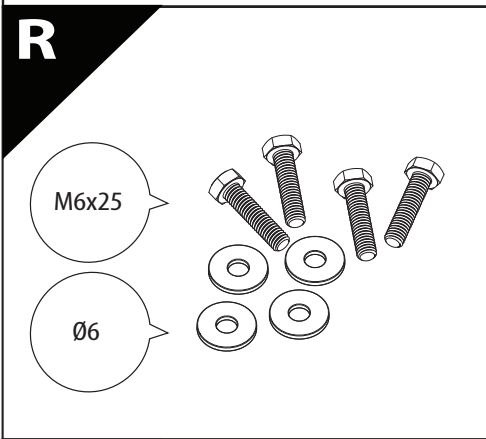
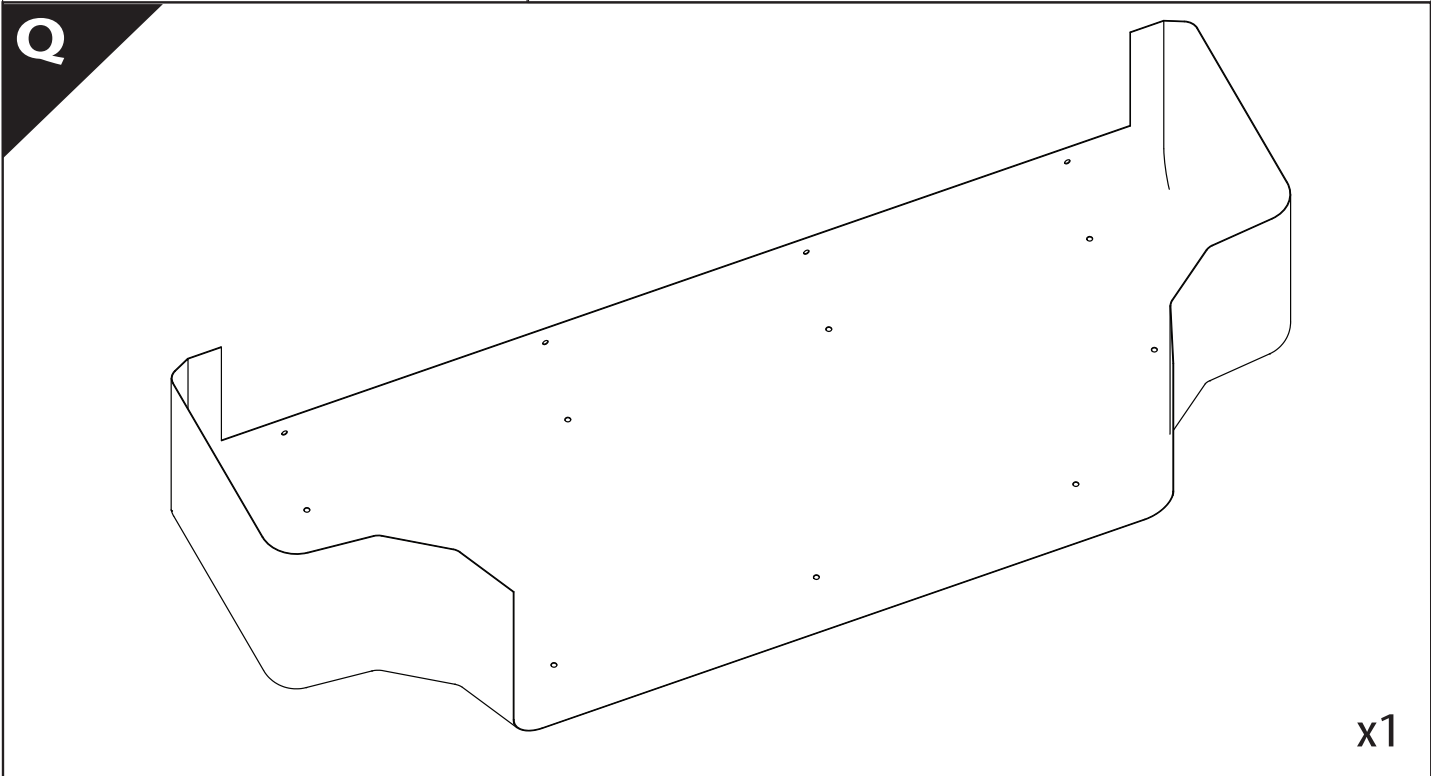
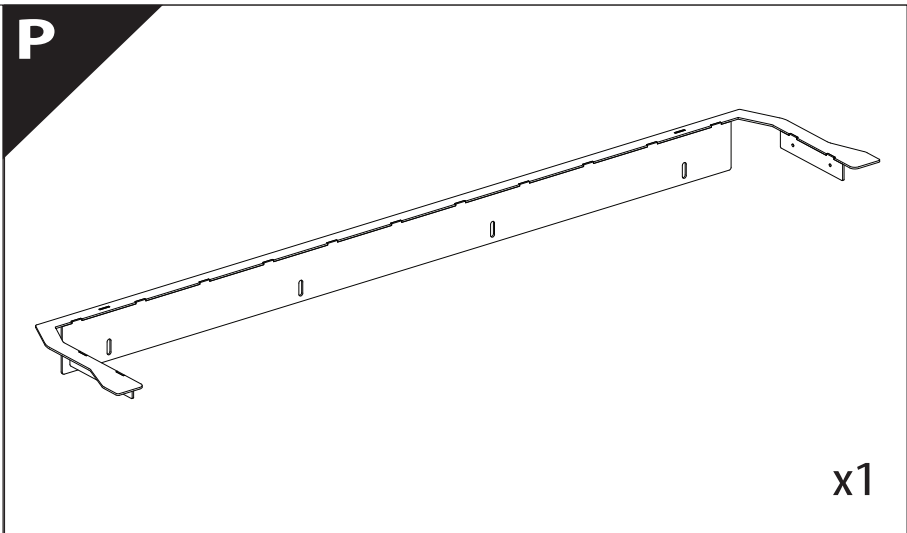
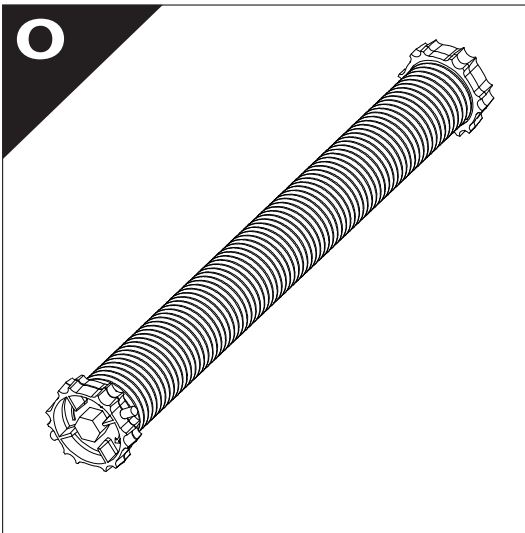
Basic Version + ⚙️ S-KIT

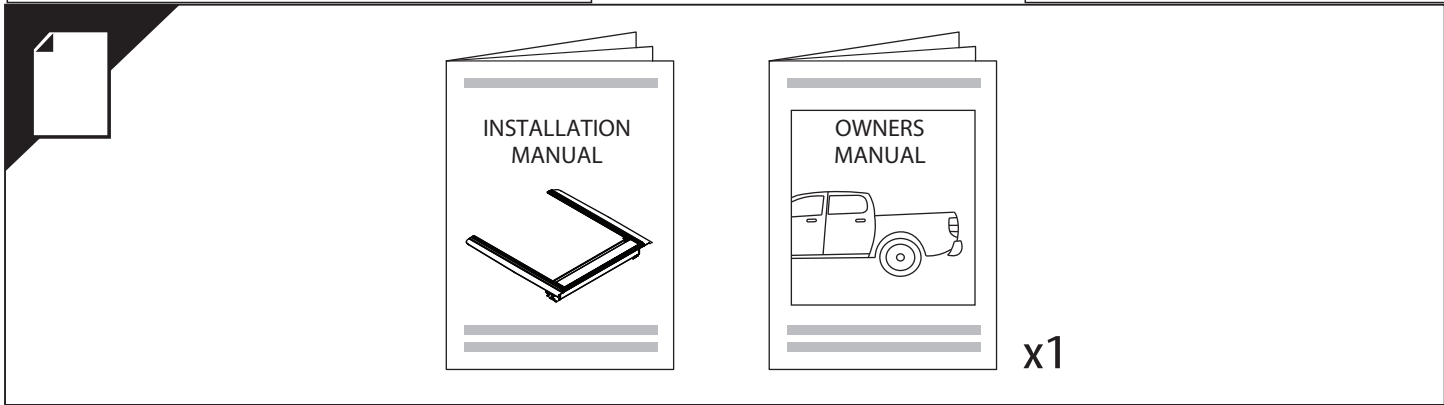
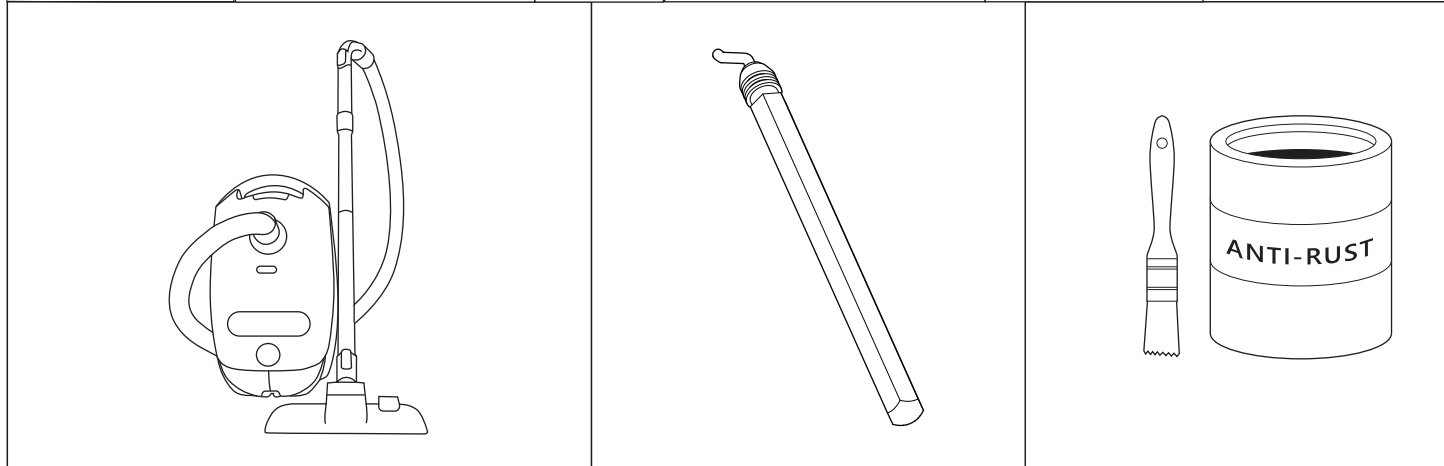
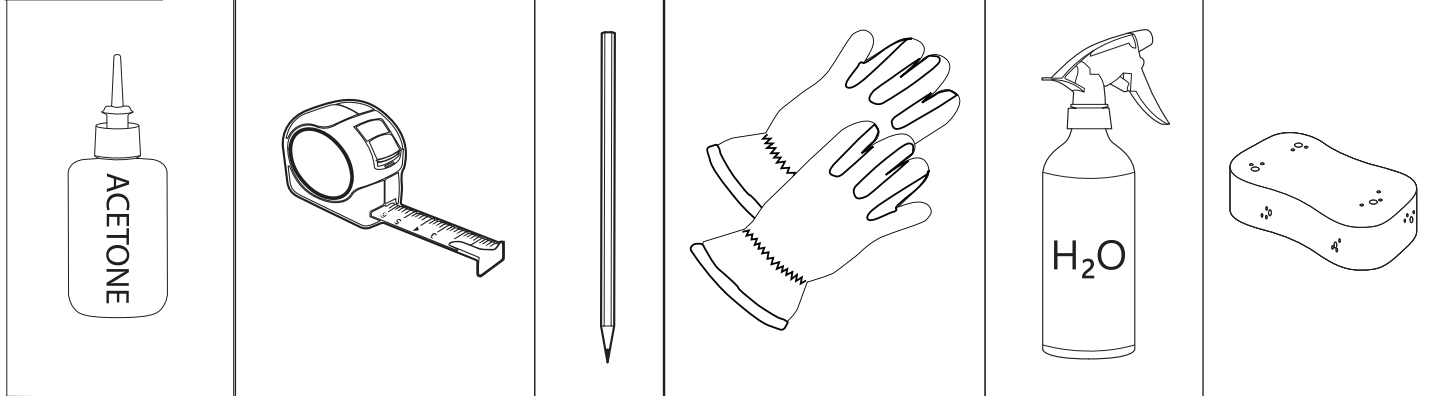
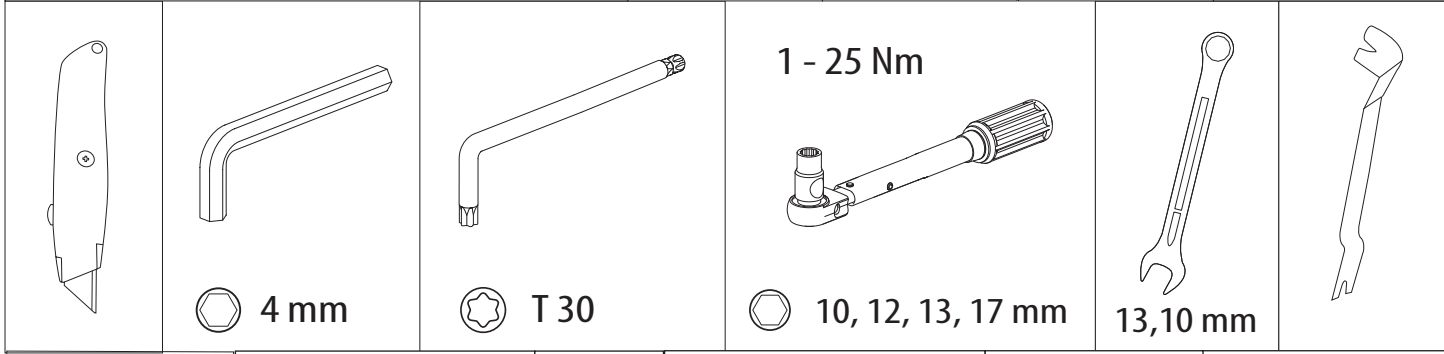
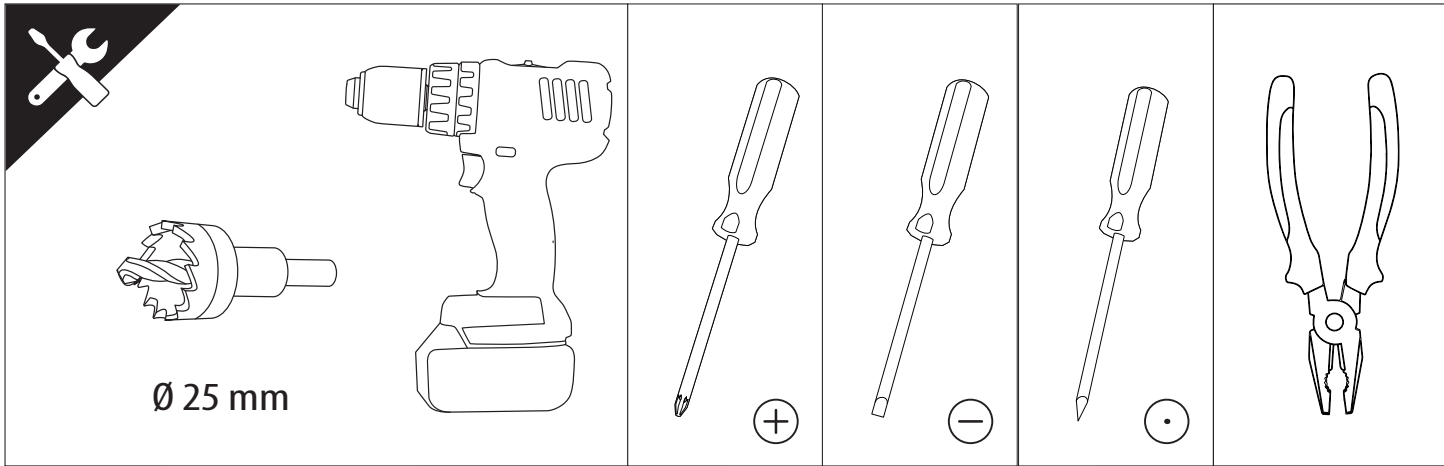


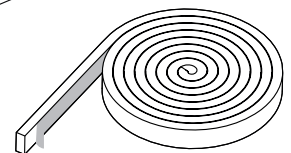
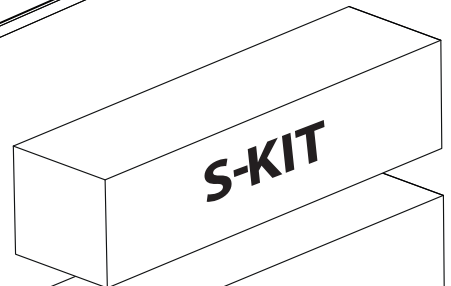
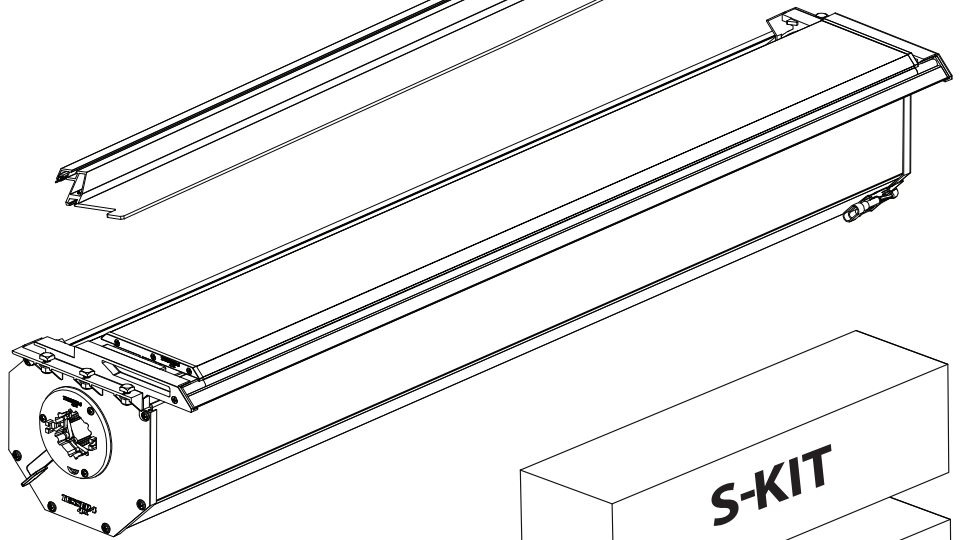
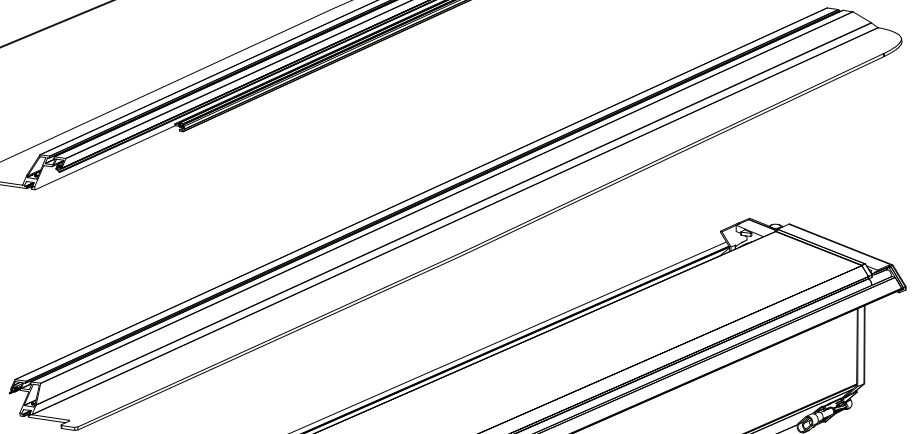
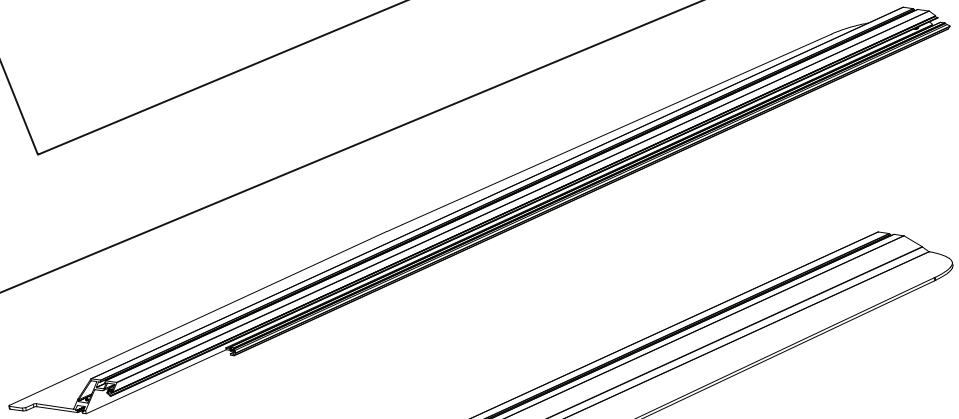
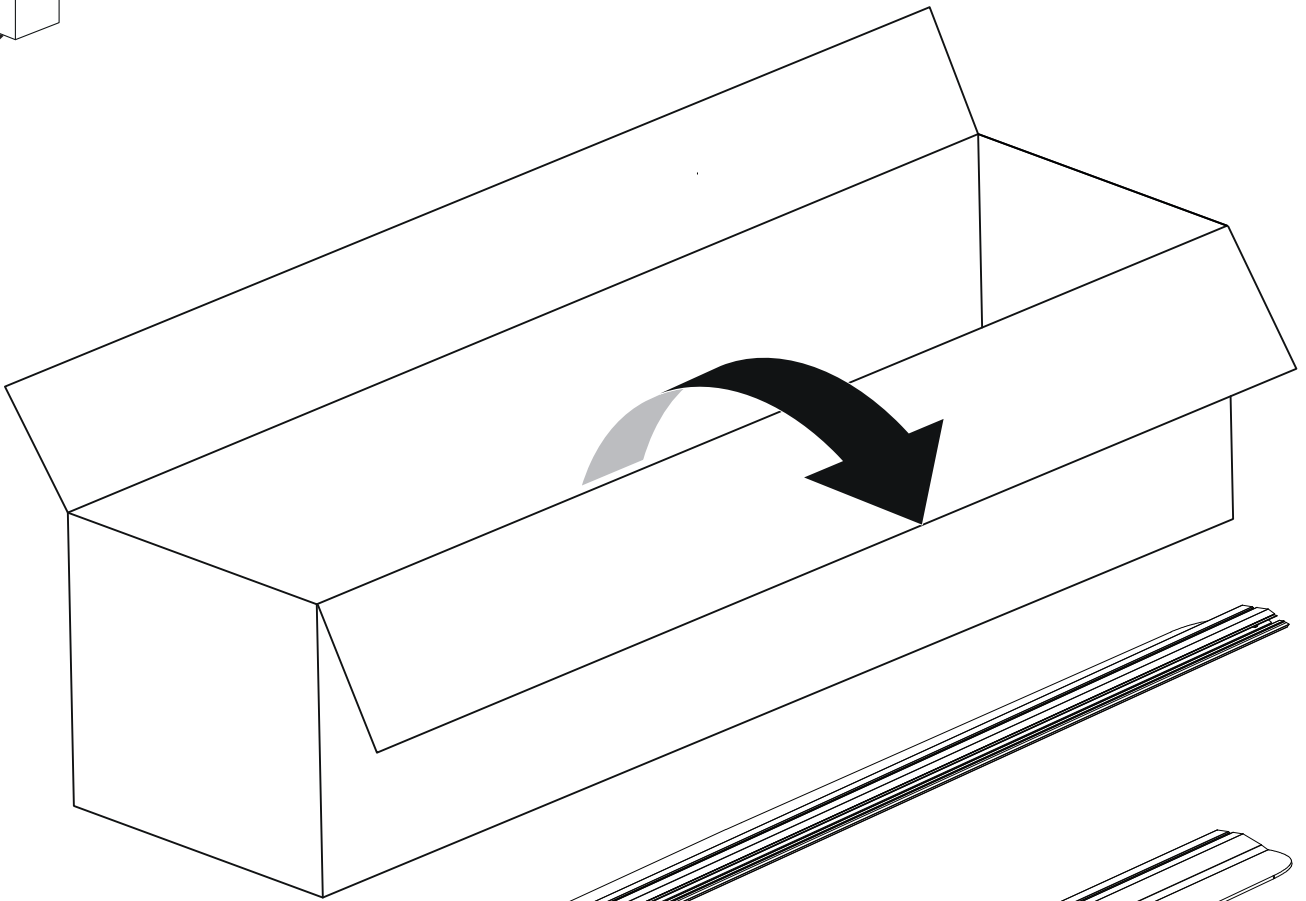
Installation Manual

PART NUMBER(S)	Model Year
TESS 1454 ROLL+ S-KIT	KGM MUSSO EV
Cab(s)	Installation Time / Weight
Double Cab & Space cab	90-120 minutes / 53-57 kg







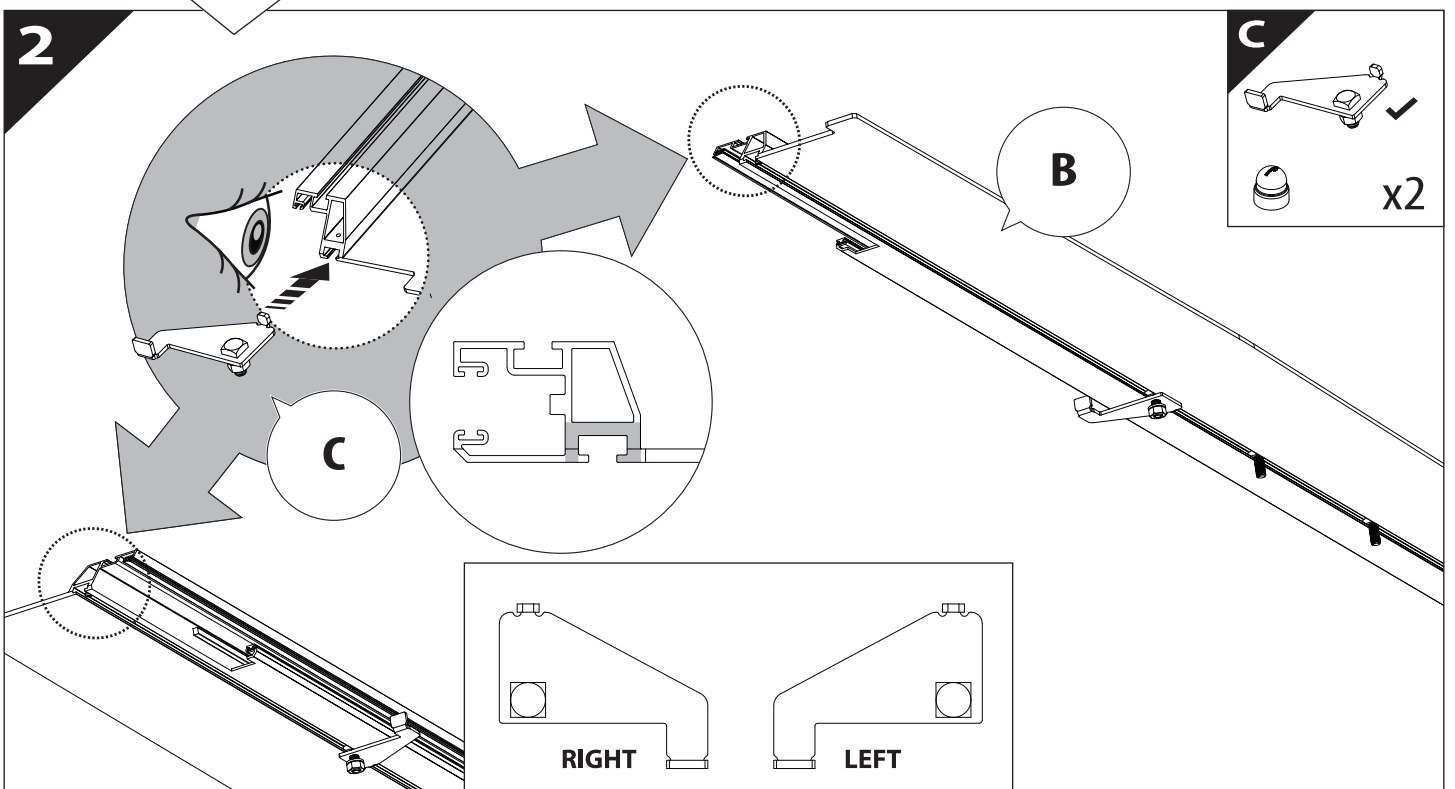
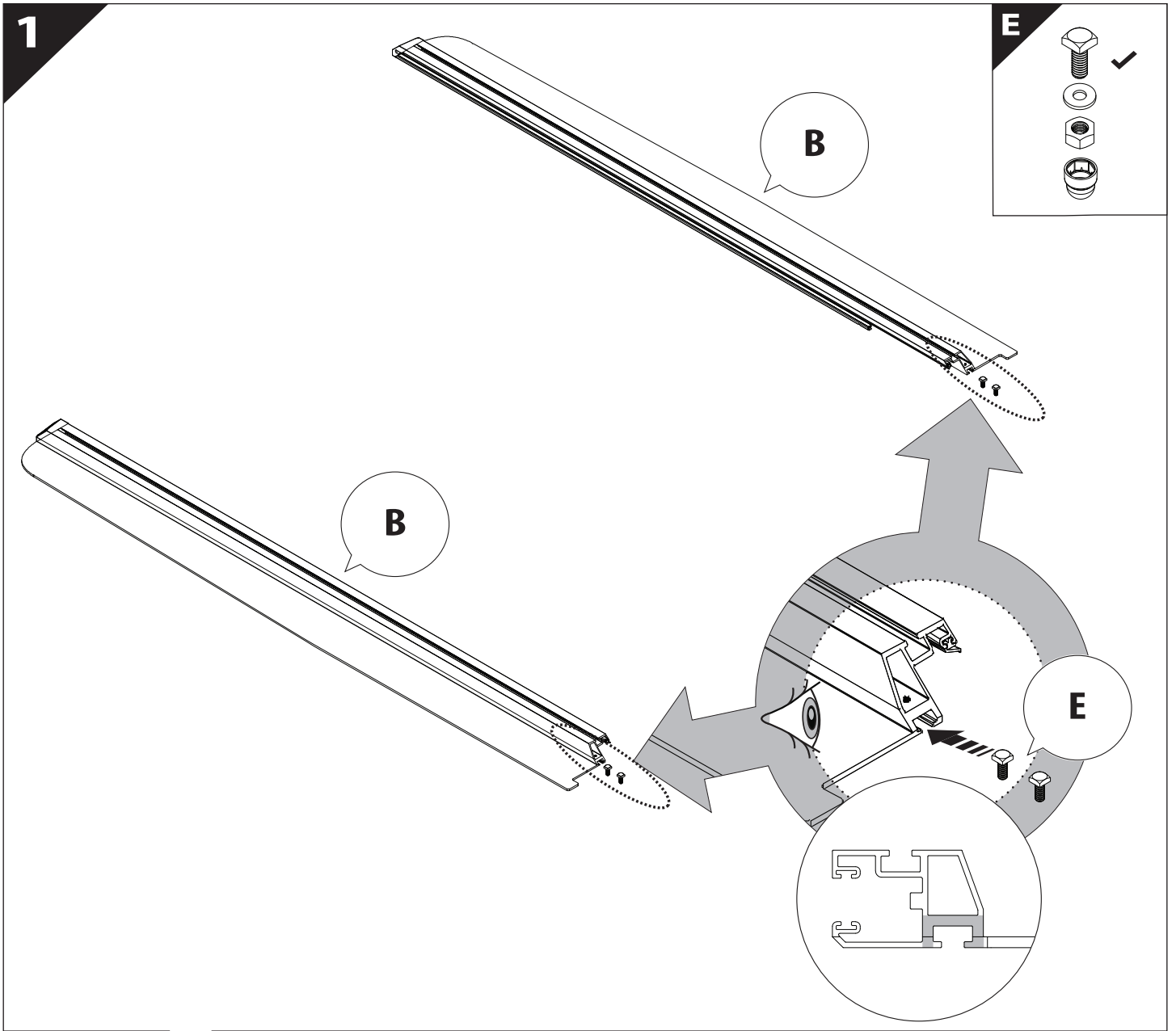


B

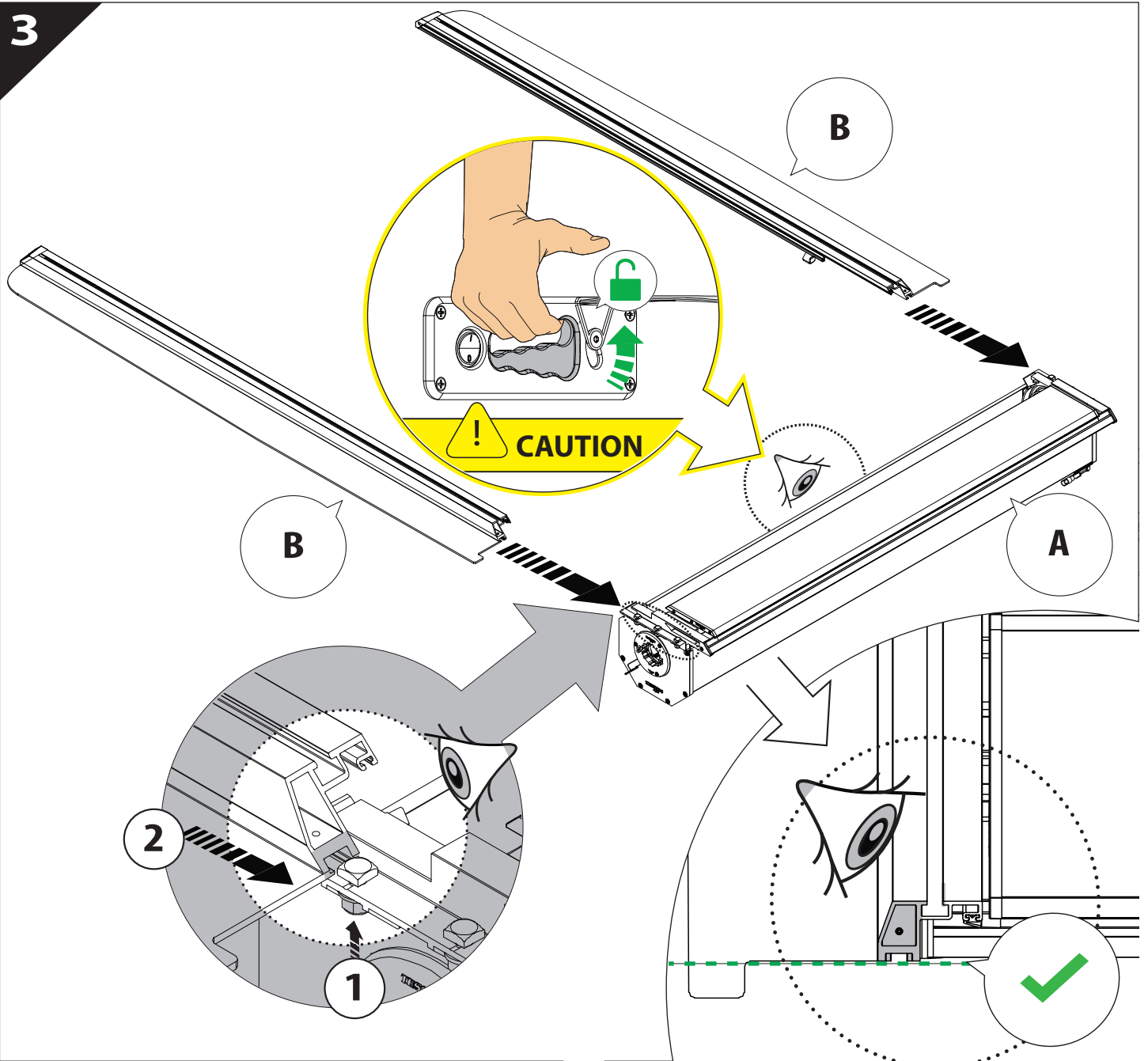
A

KITS

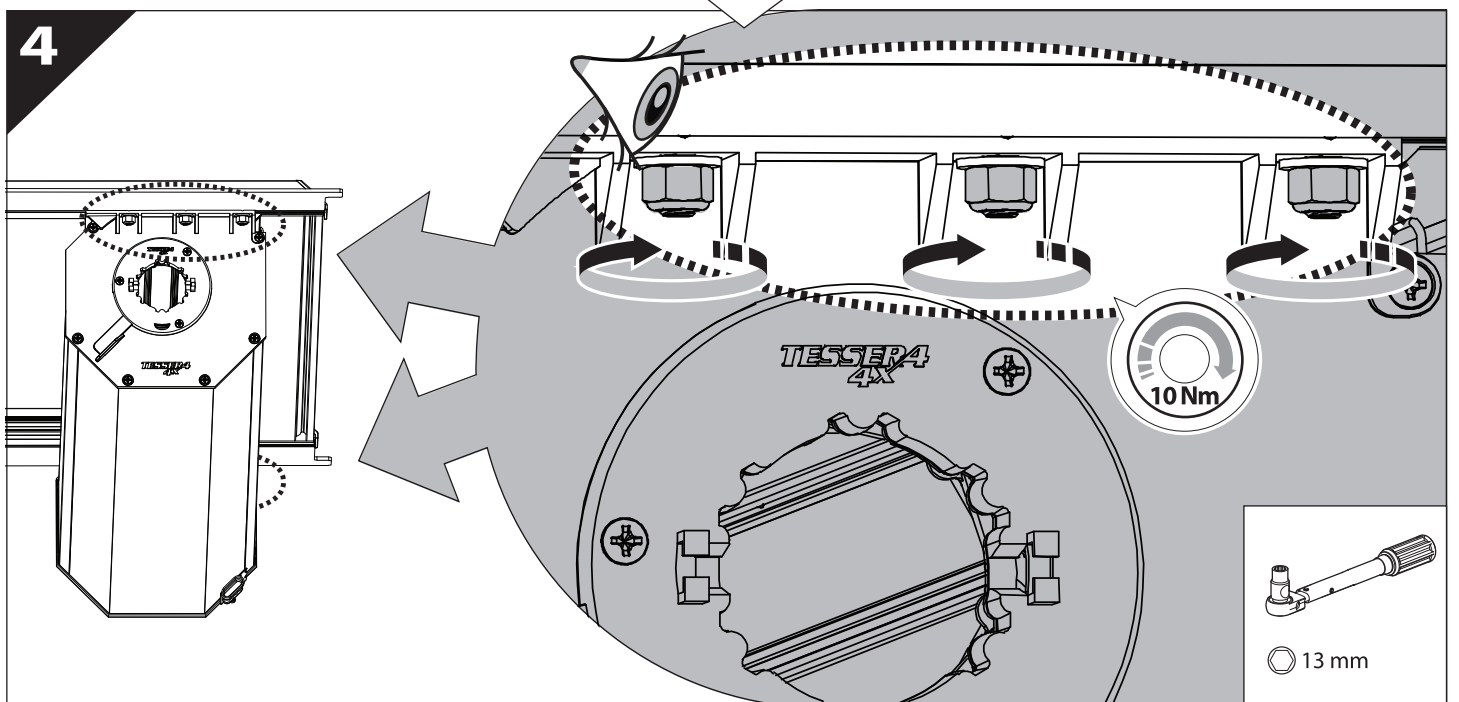
L

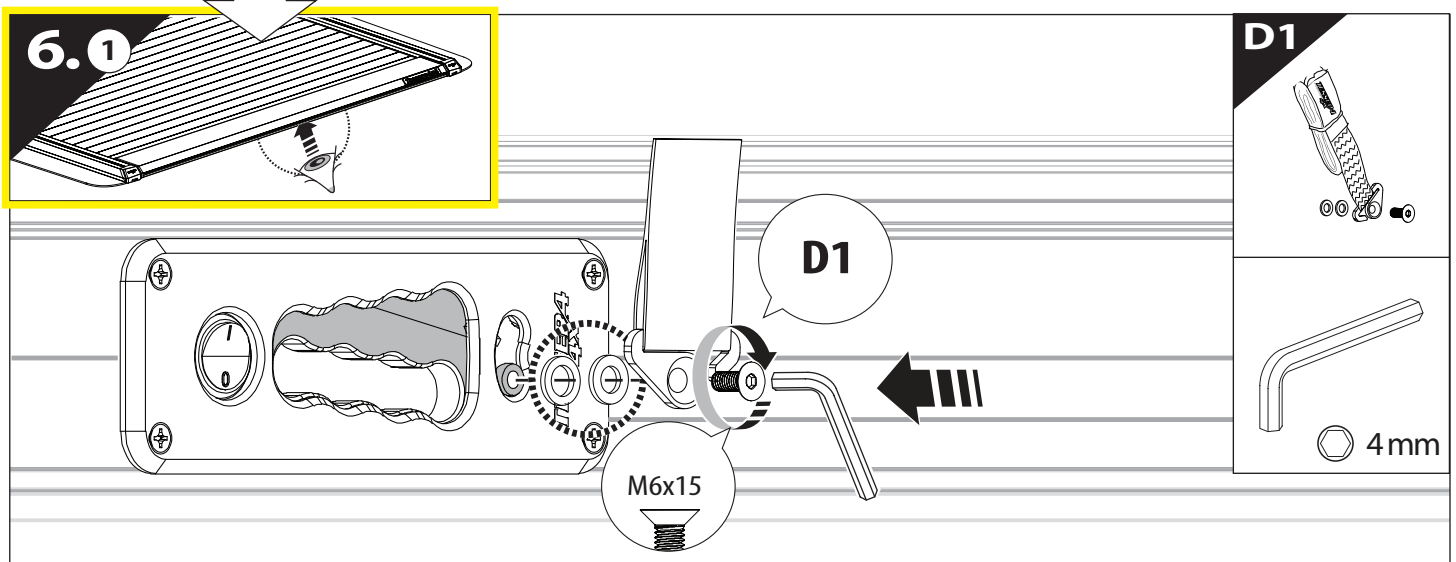
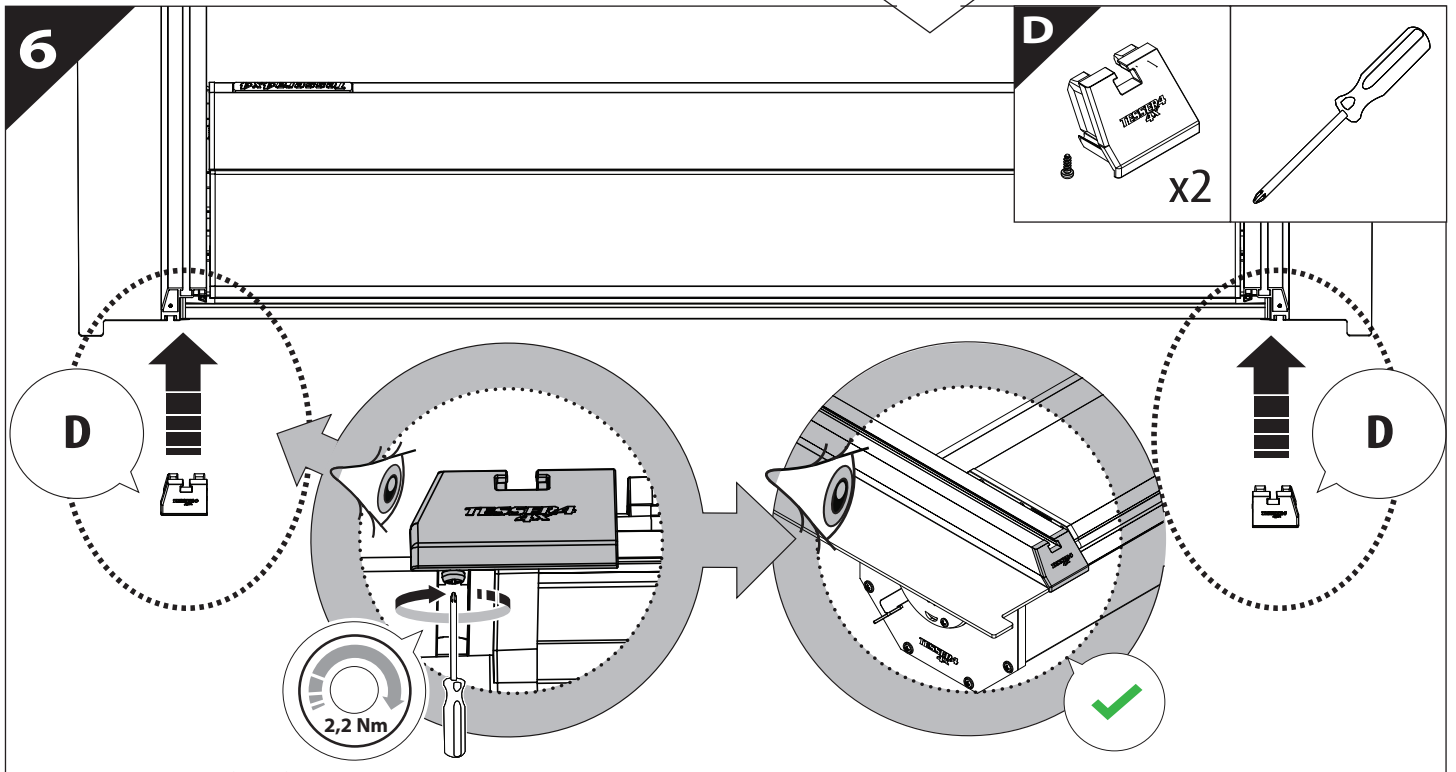
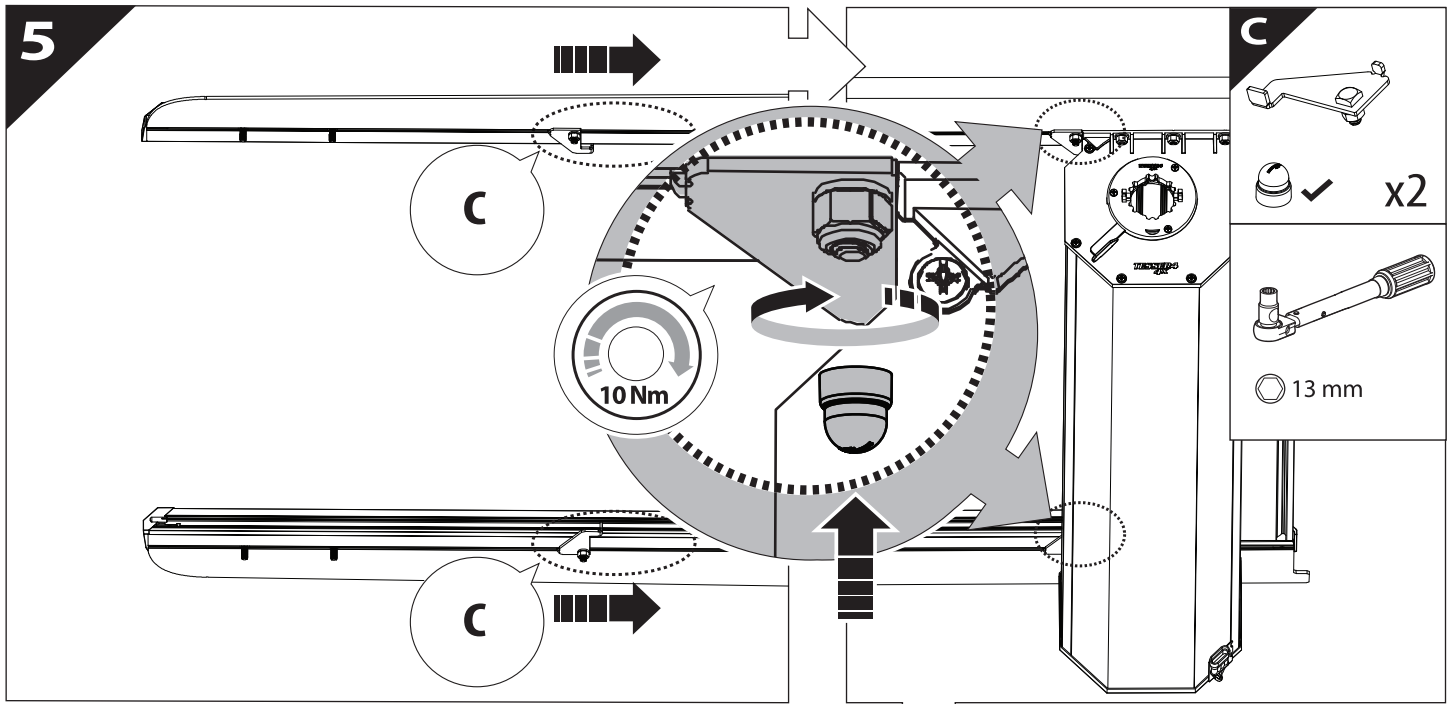


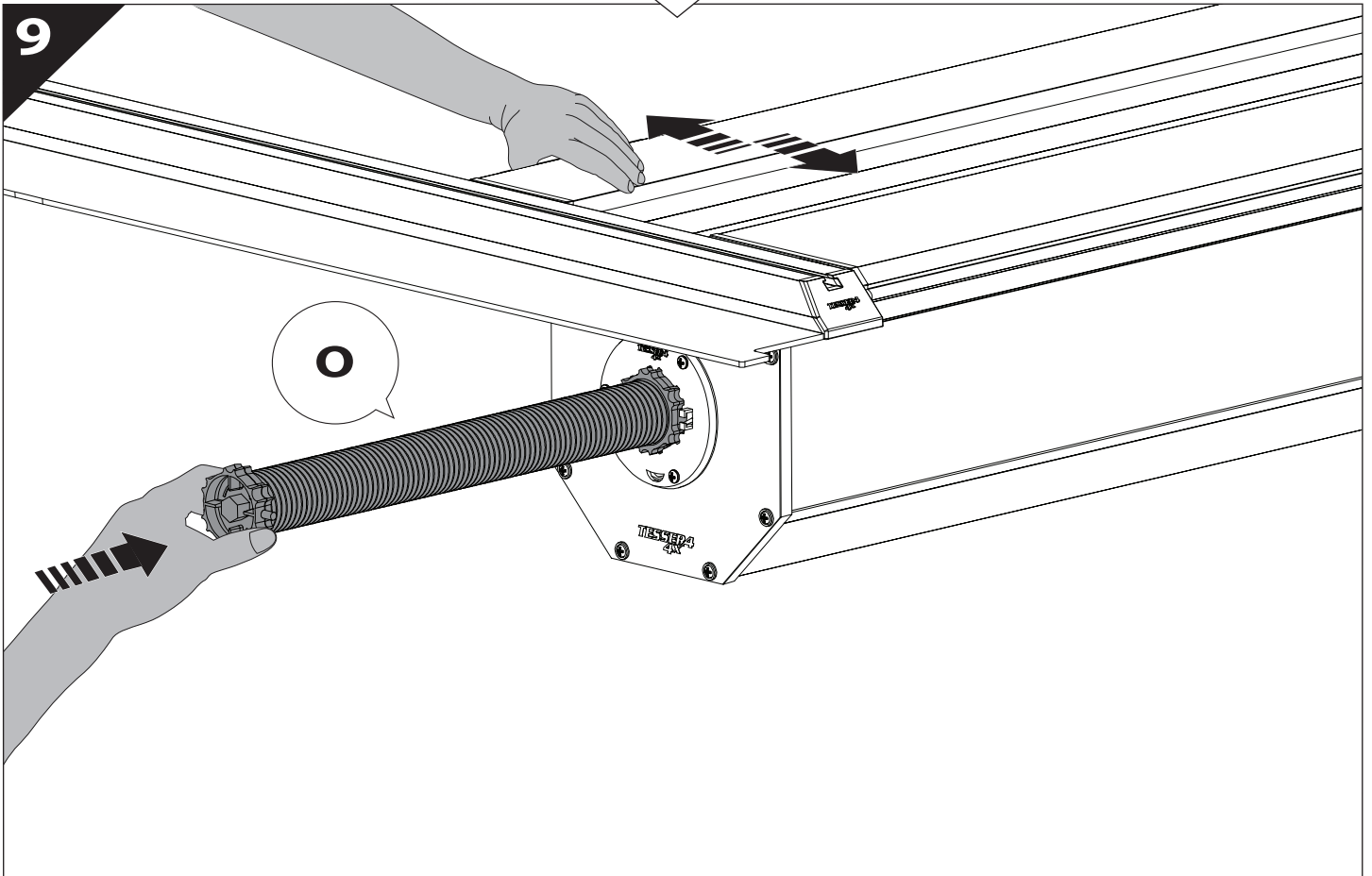
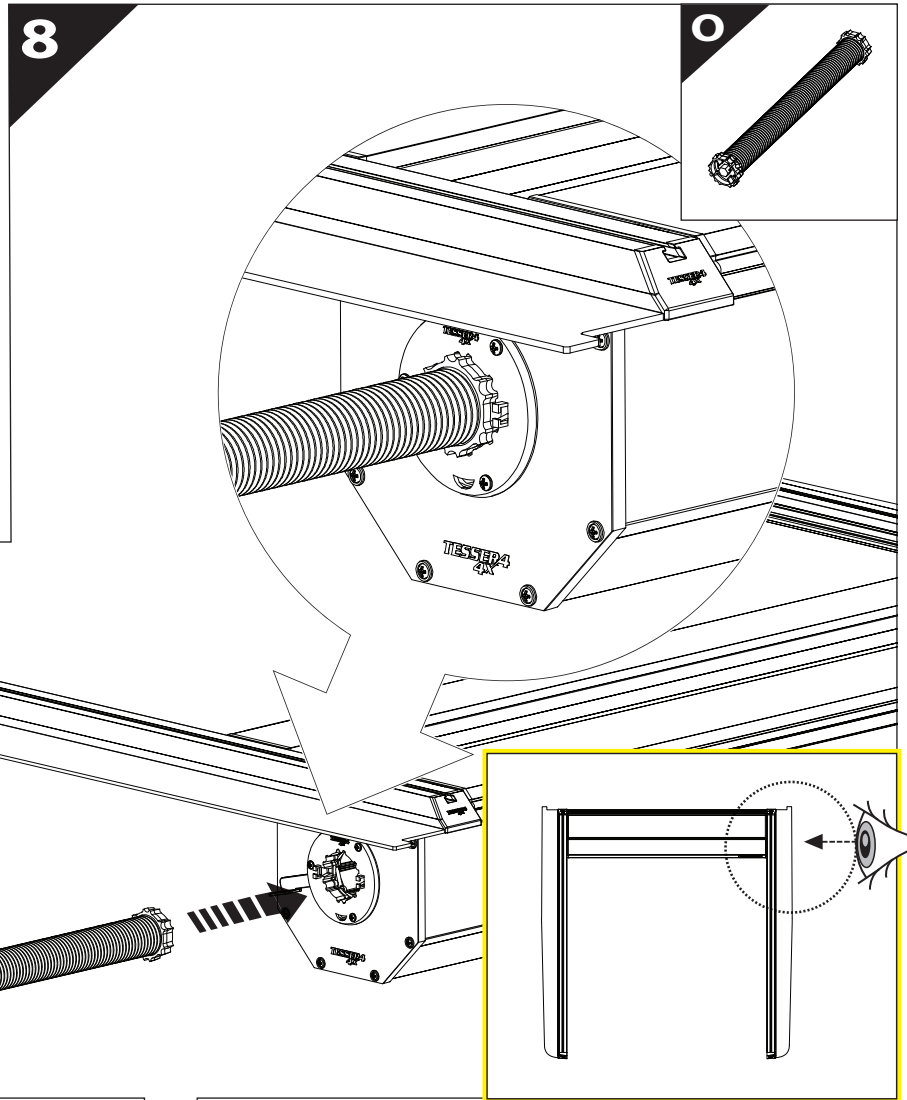
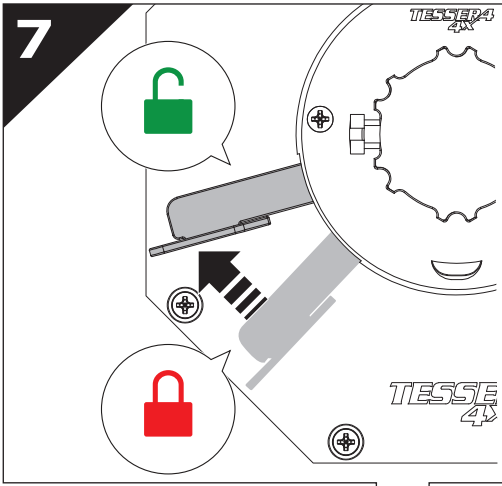
3

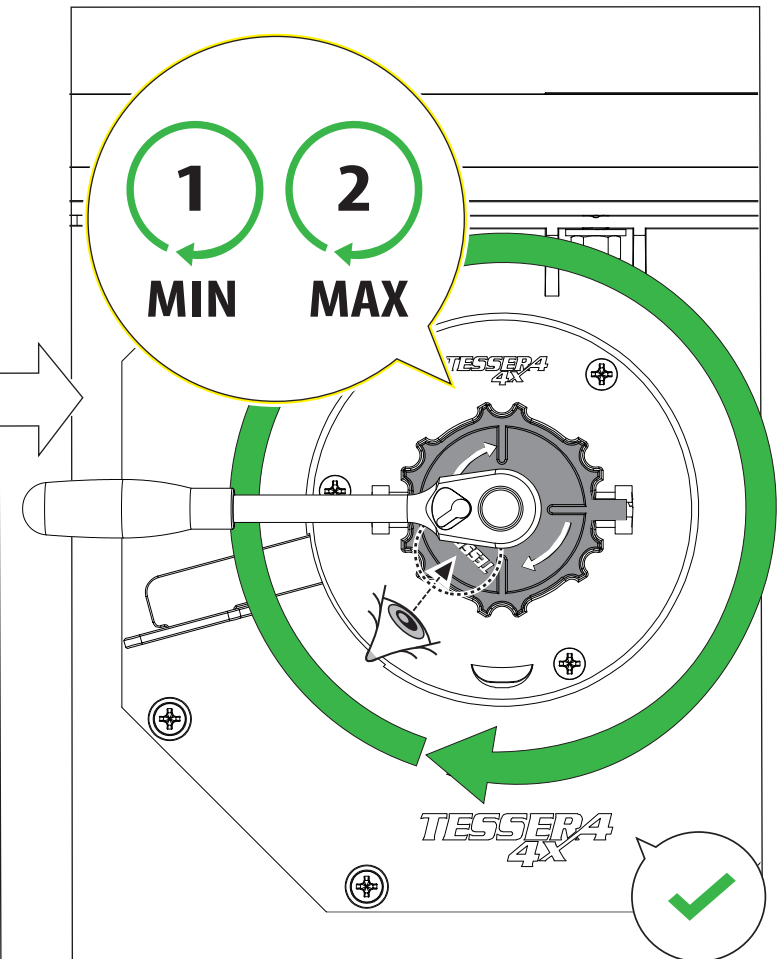
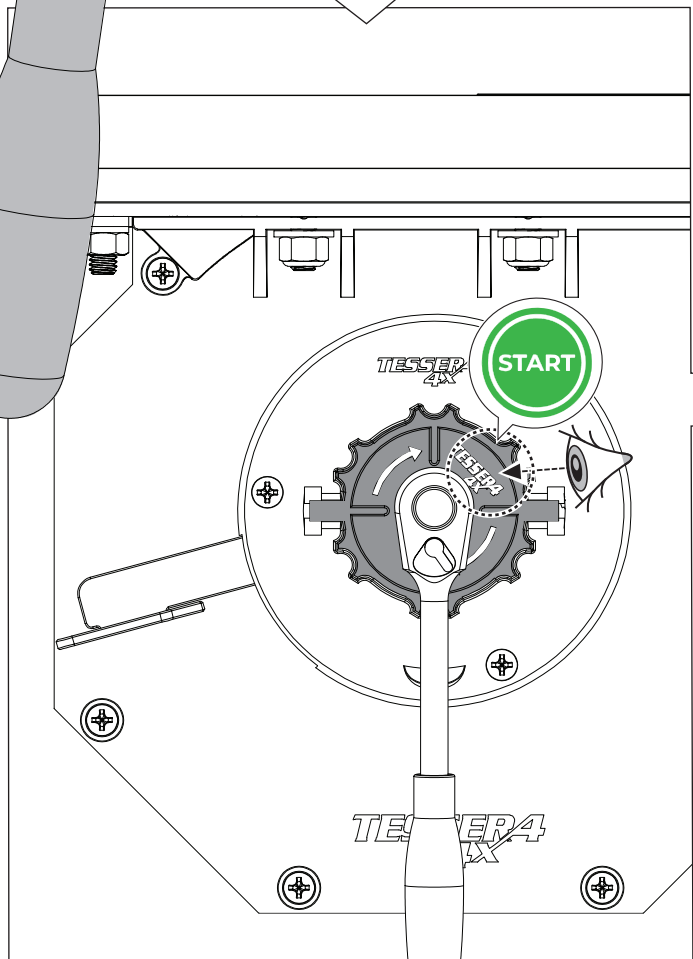
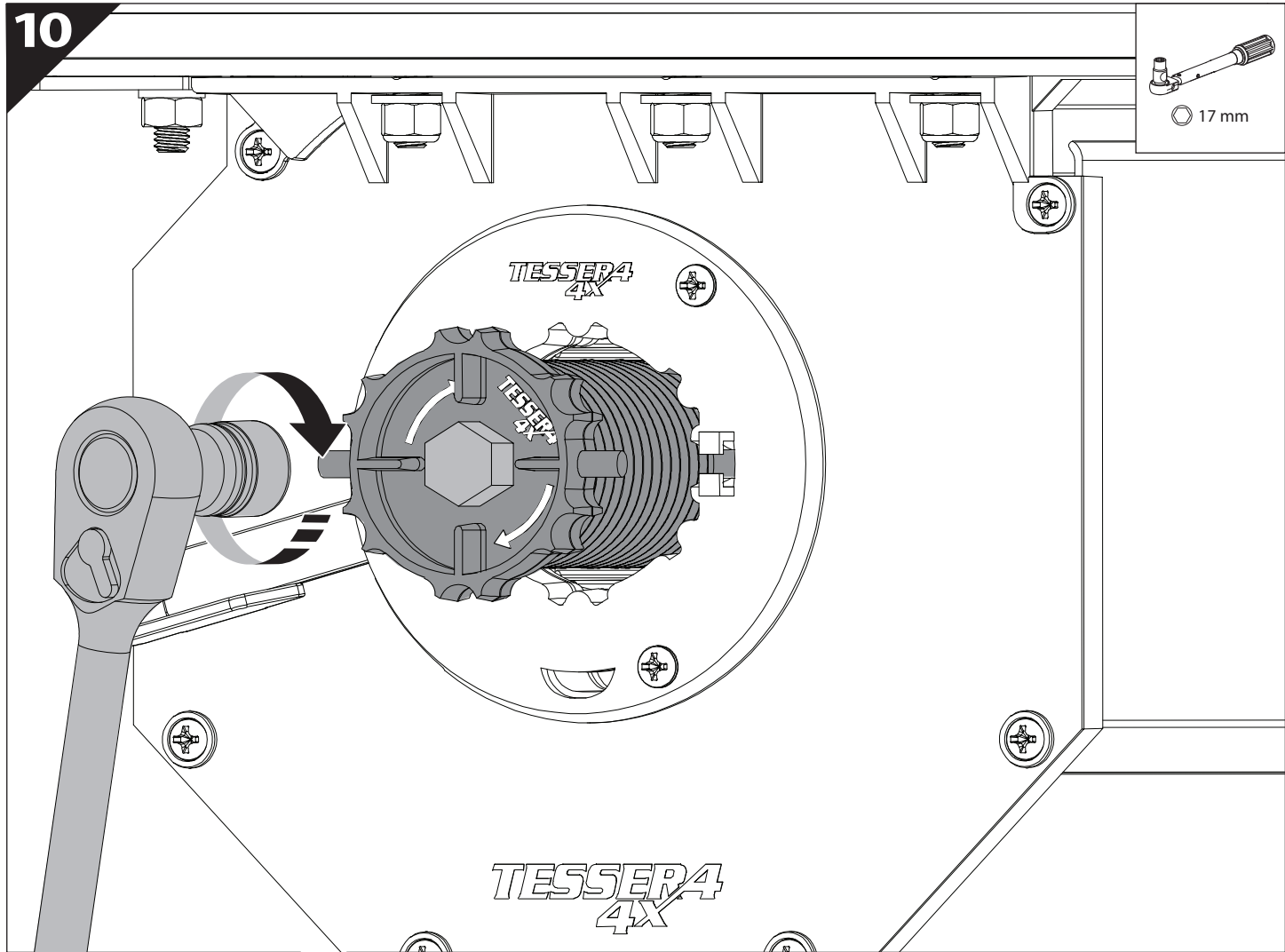
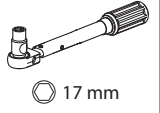


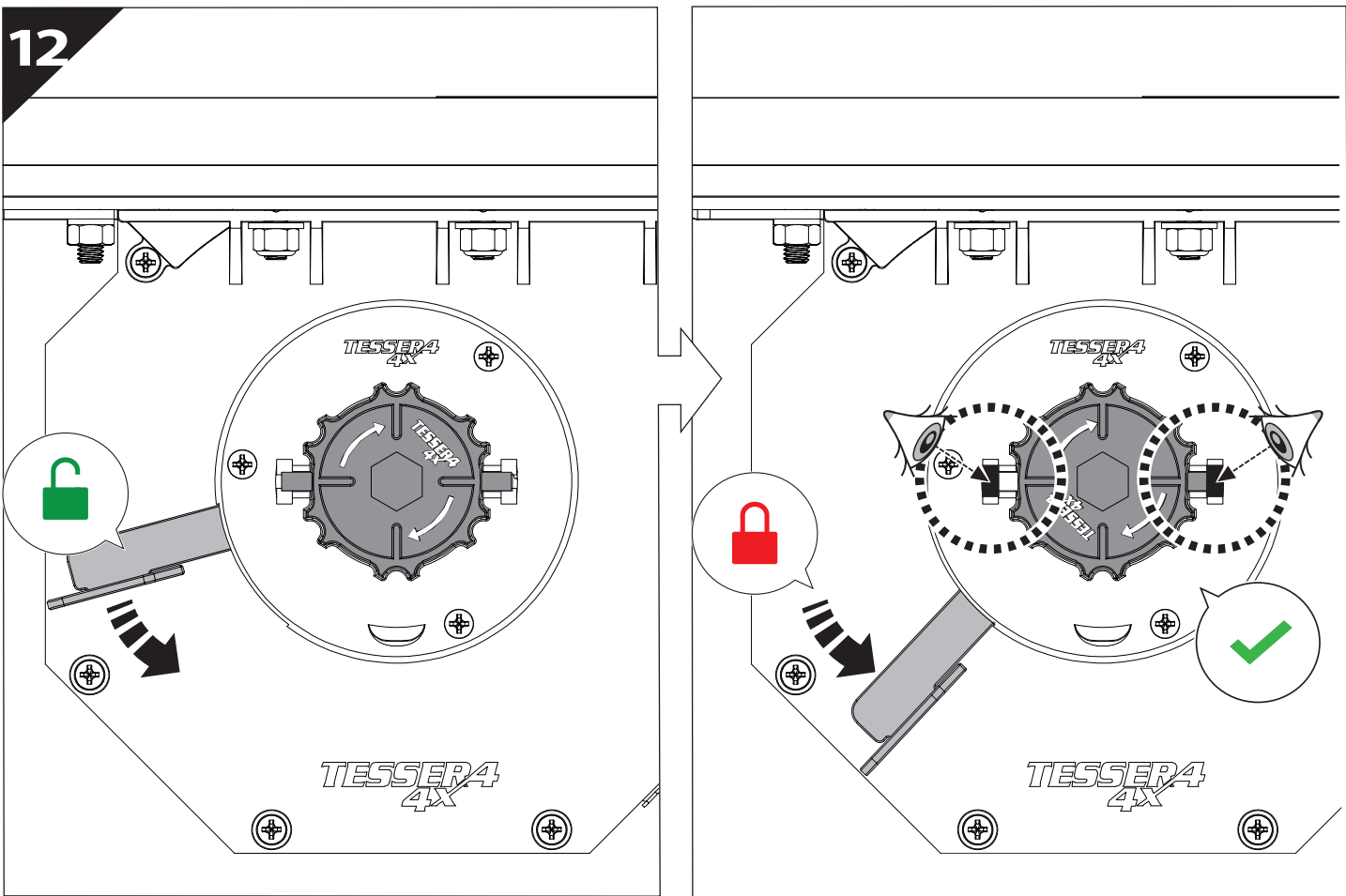
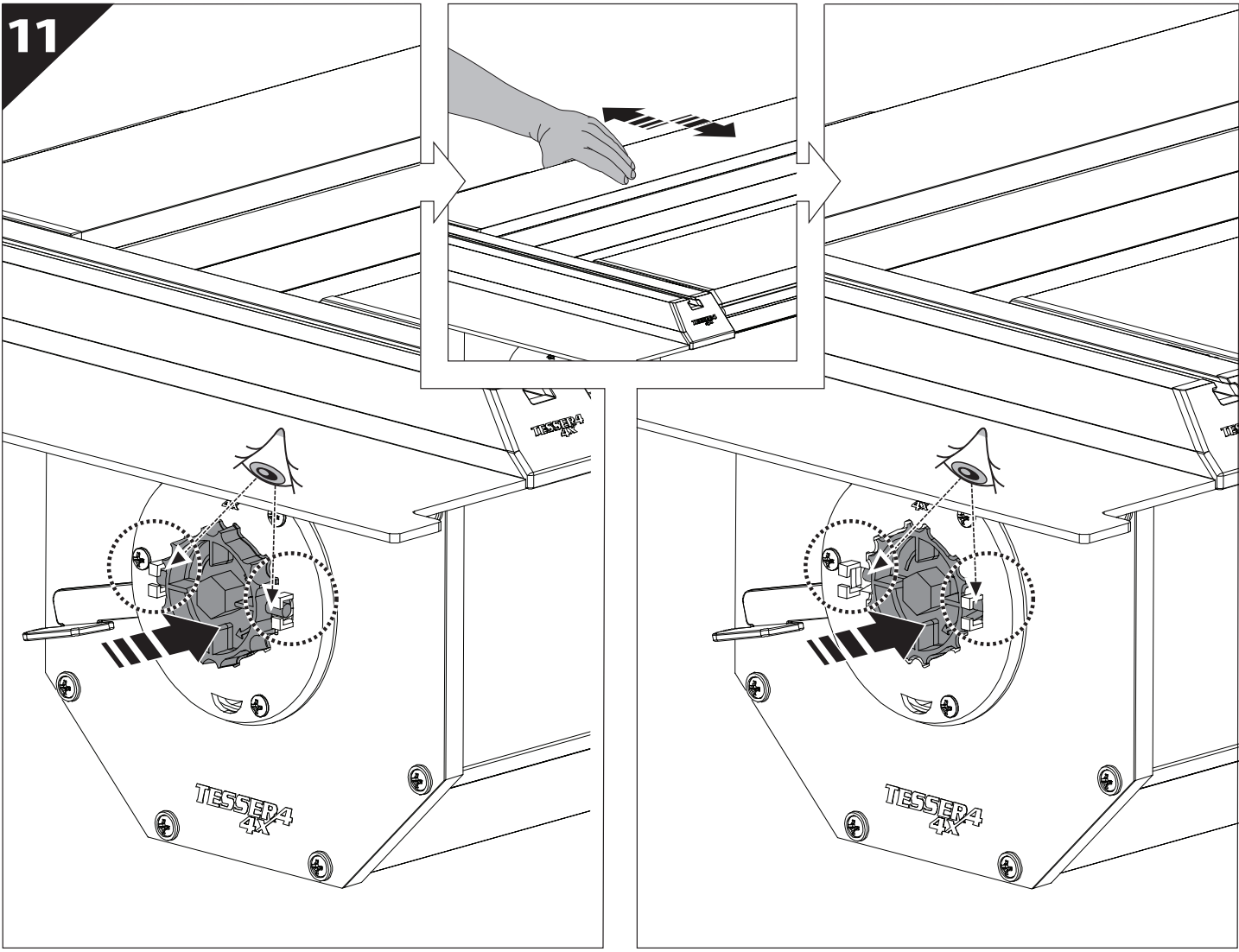
4



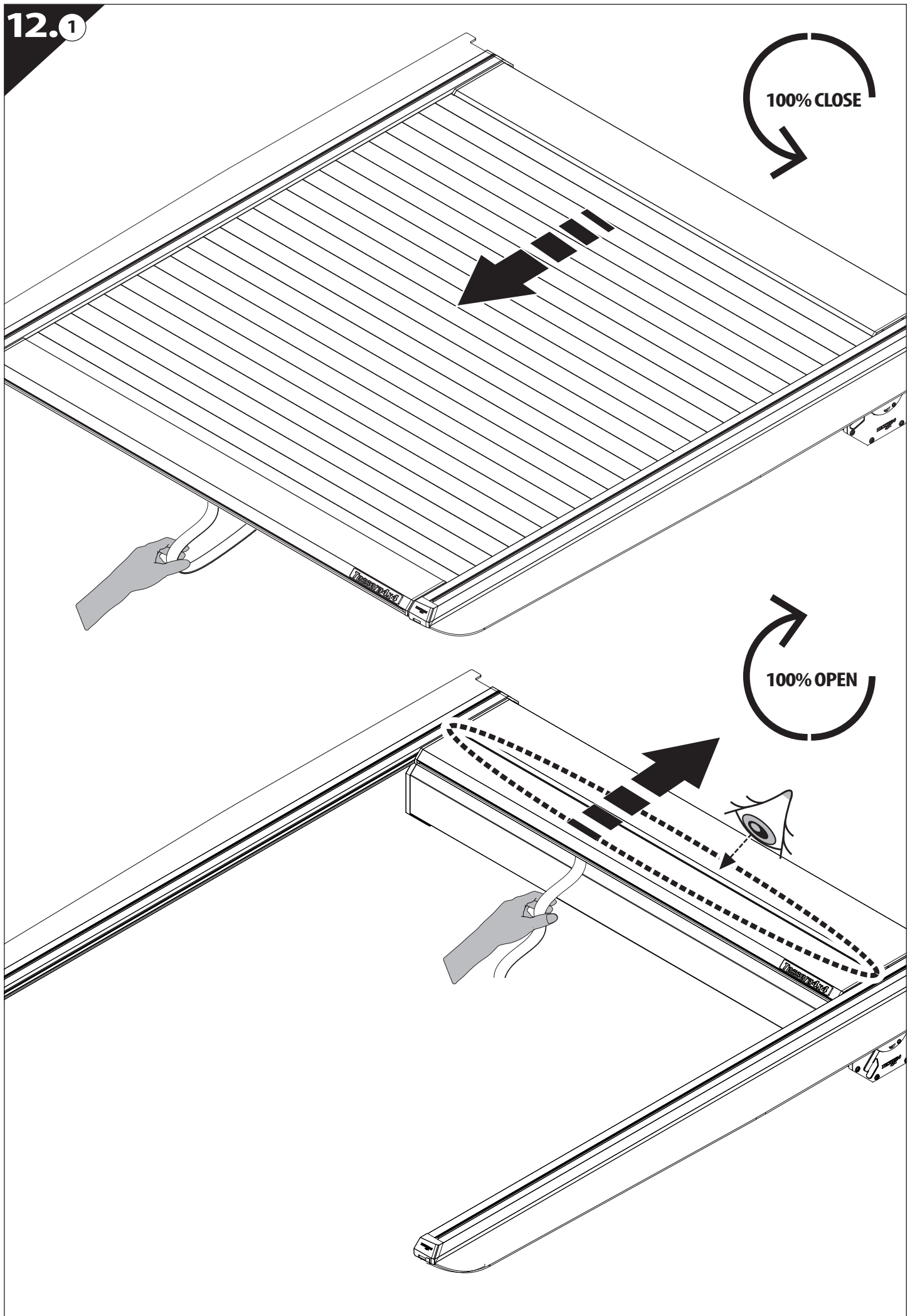




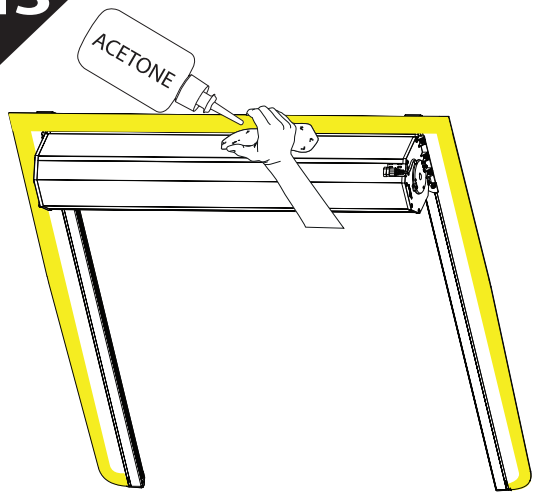




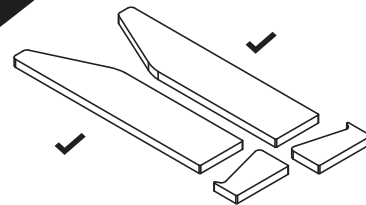
12.0



13



L3

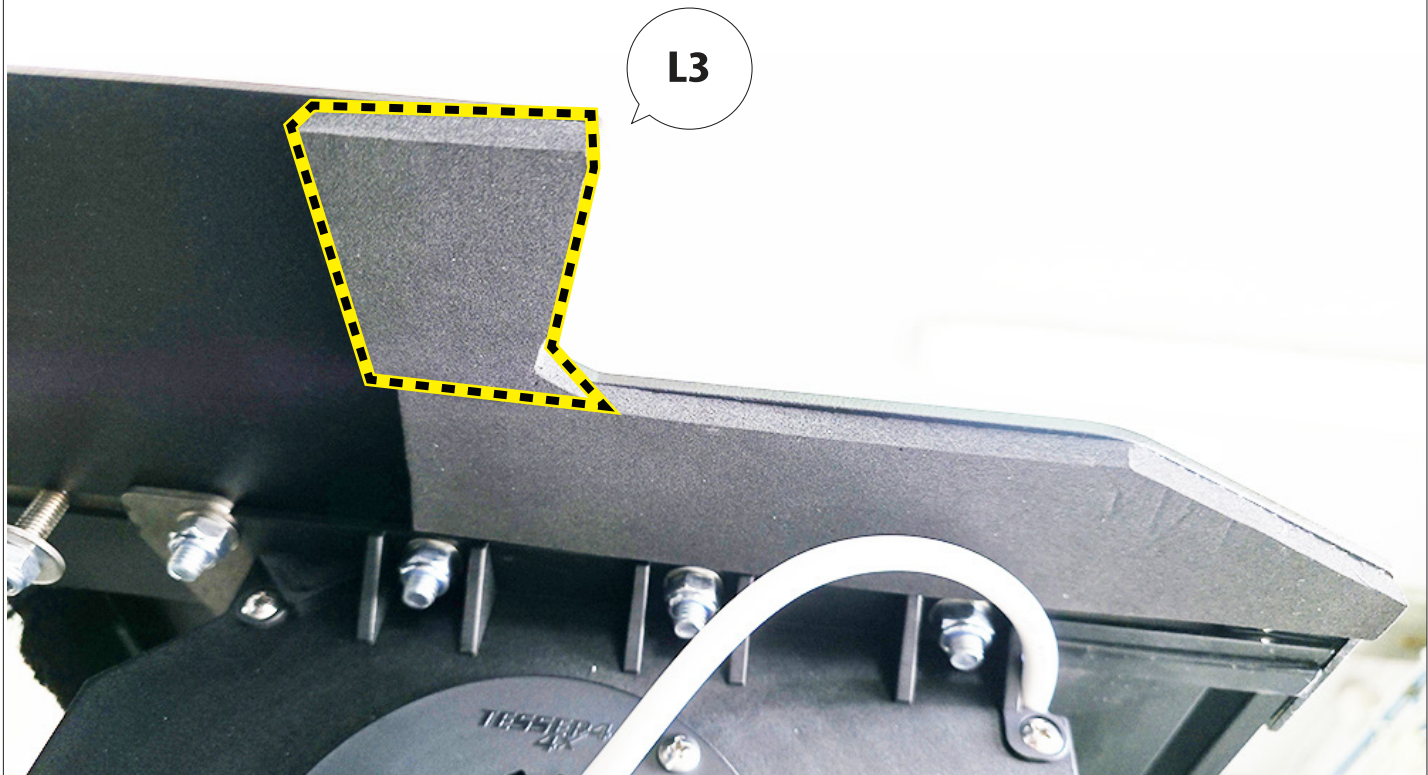
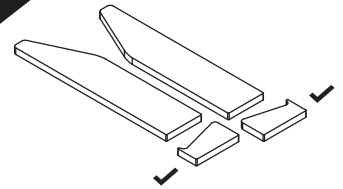


L3



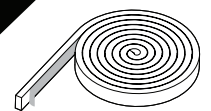
14

L3

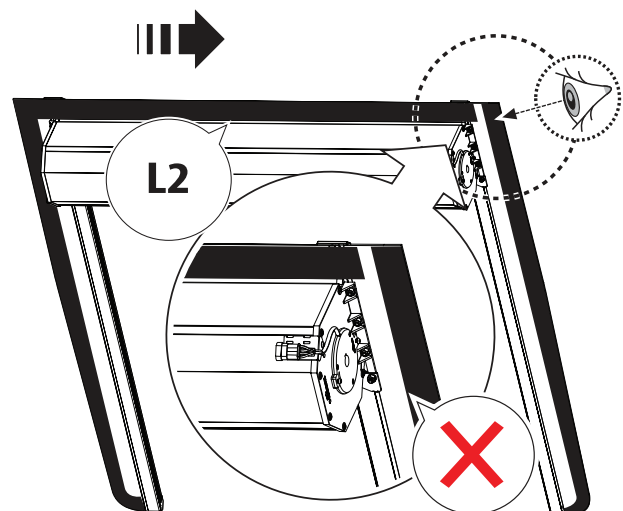
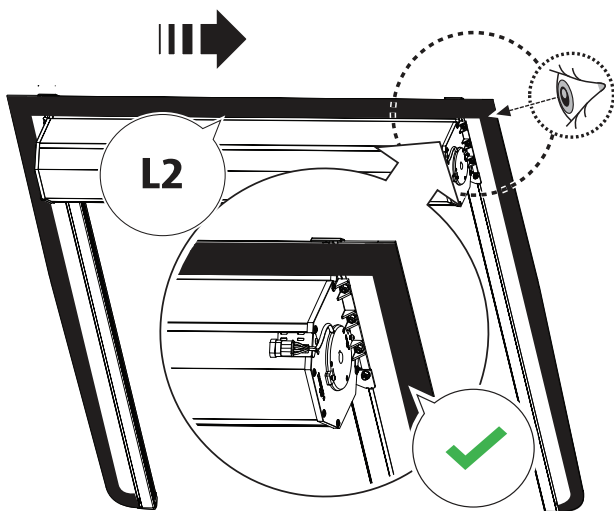


14.①

L2

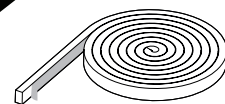


5 x 0.8 x 167cm



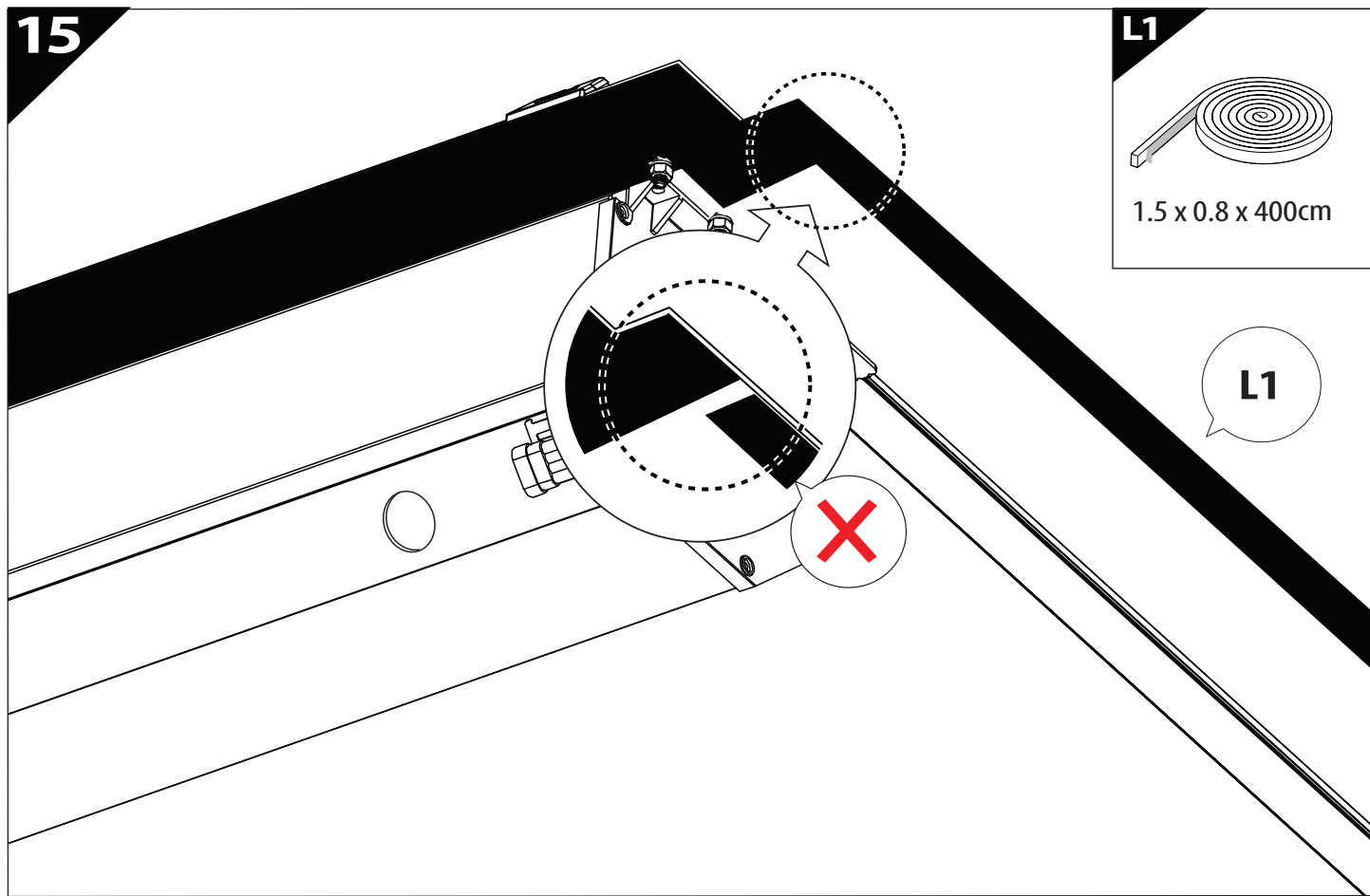
15

L1



1.5 x 0.8 x 400cm

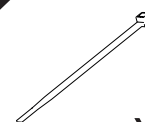
L1



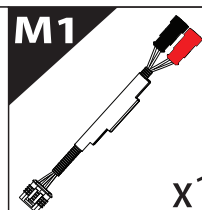
16

K

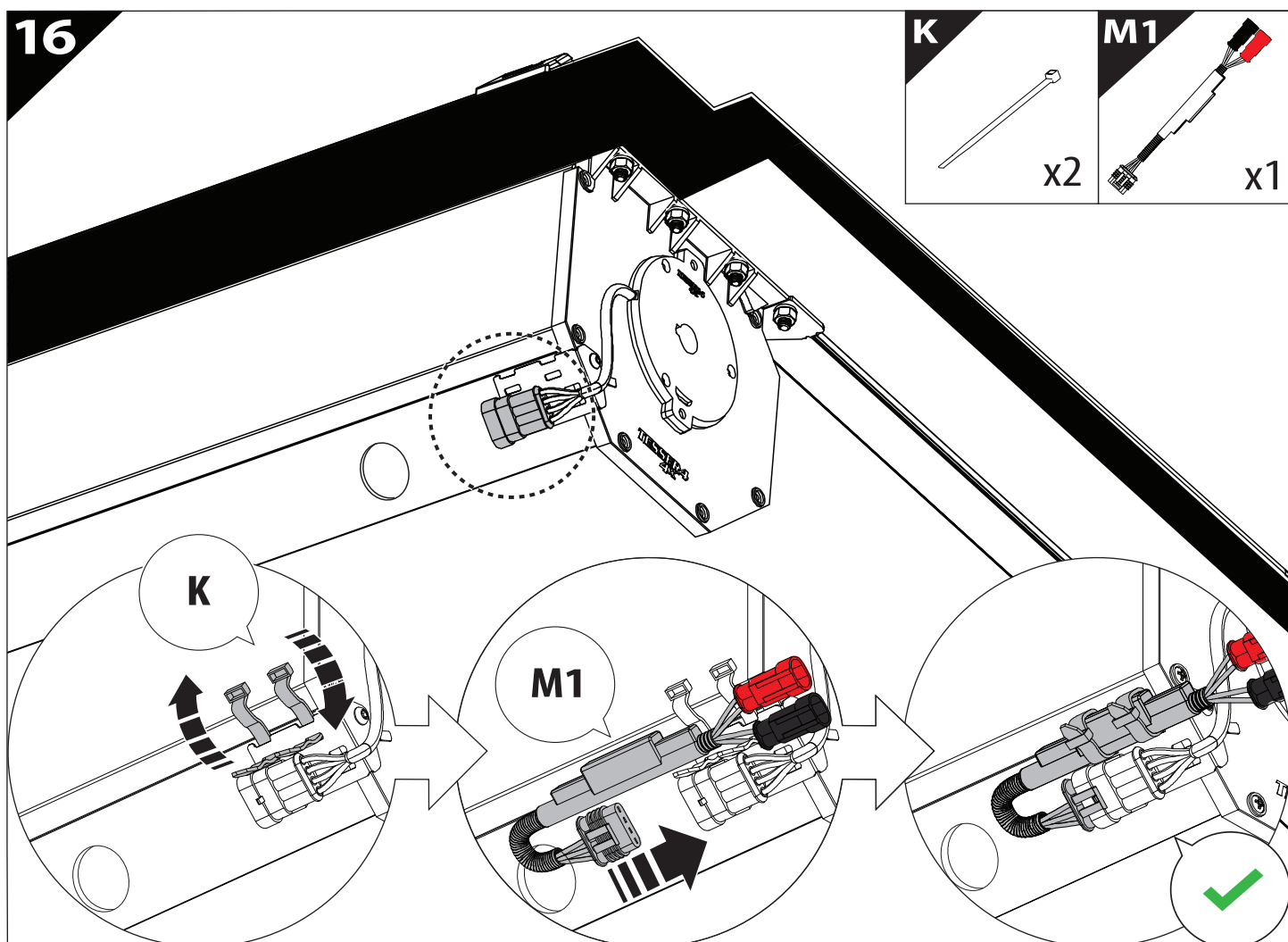
M1

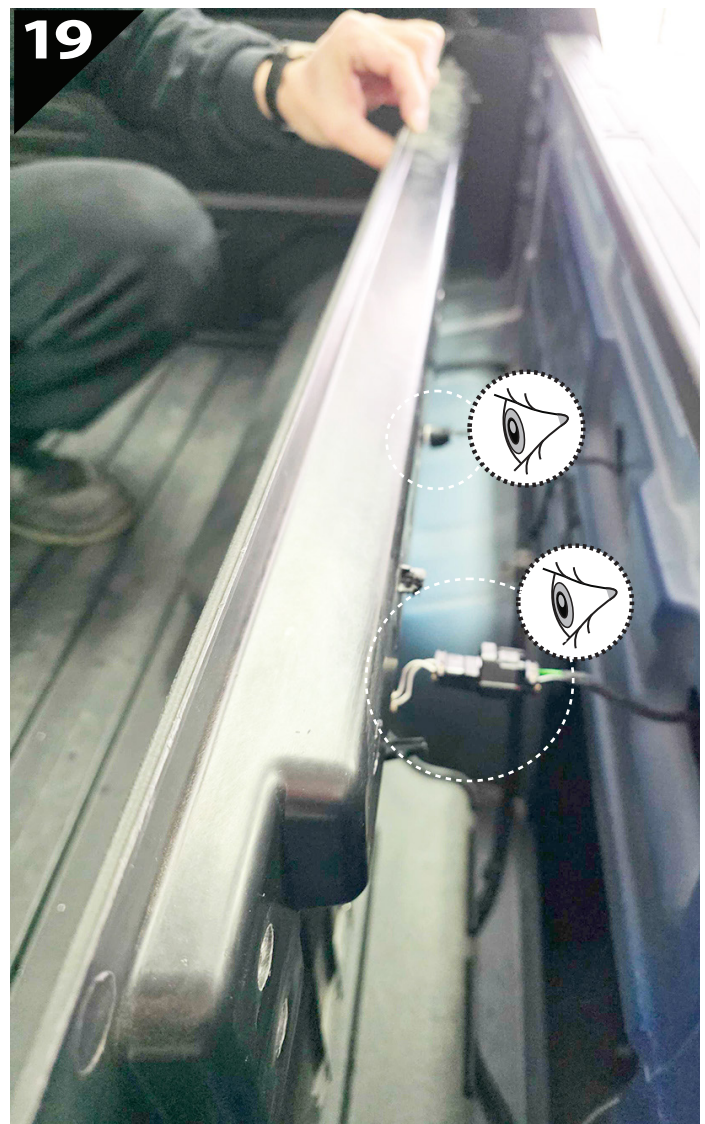


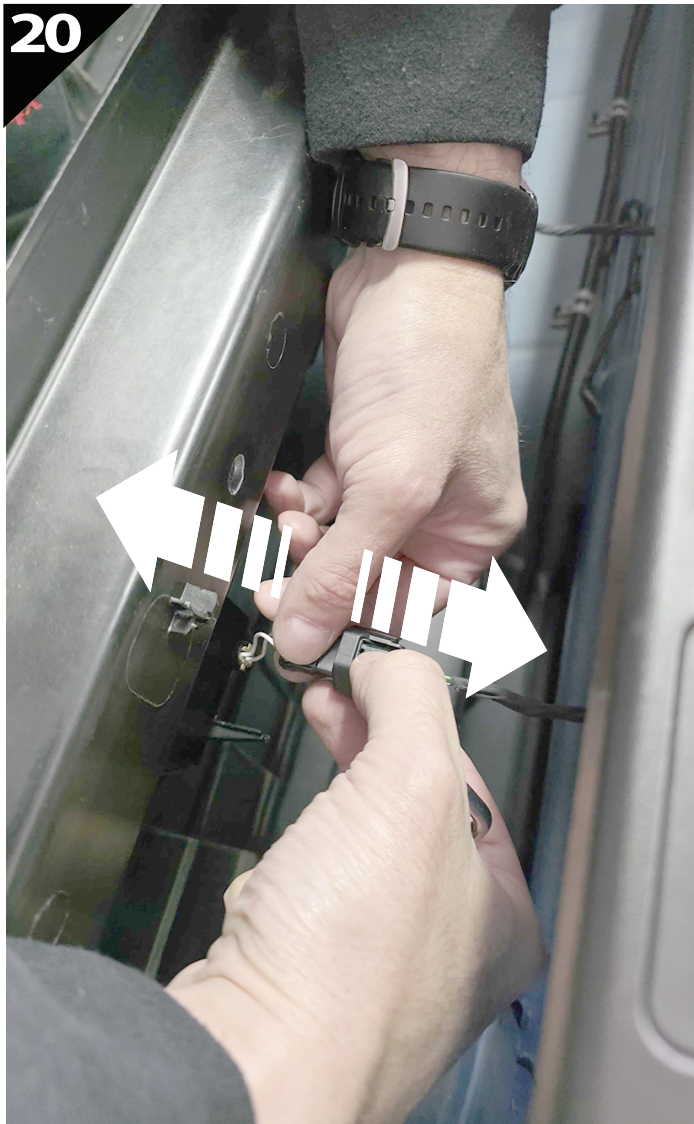
x2



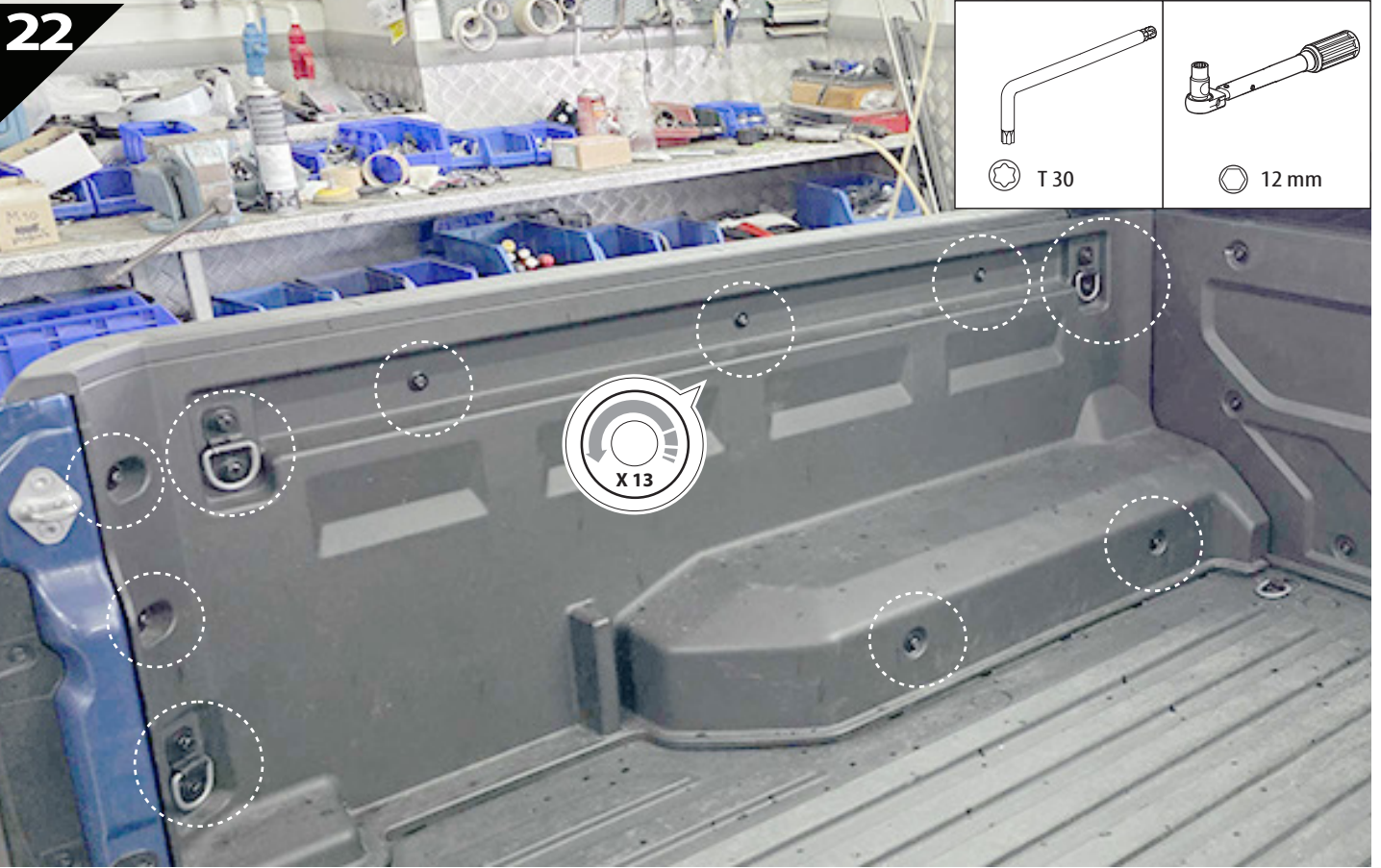
x1







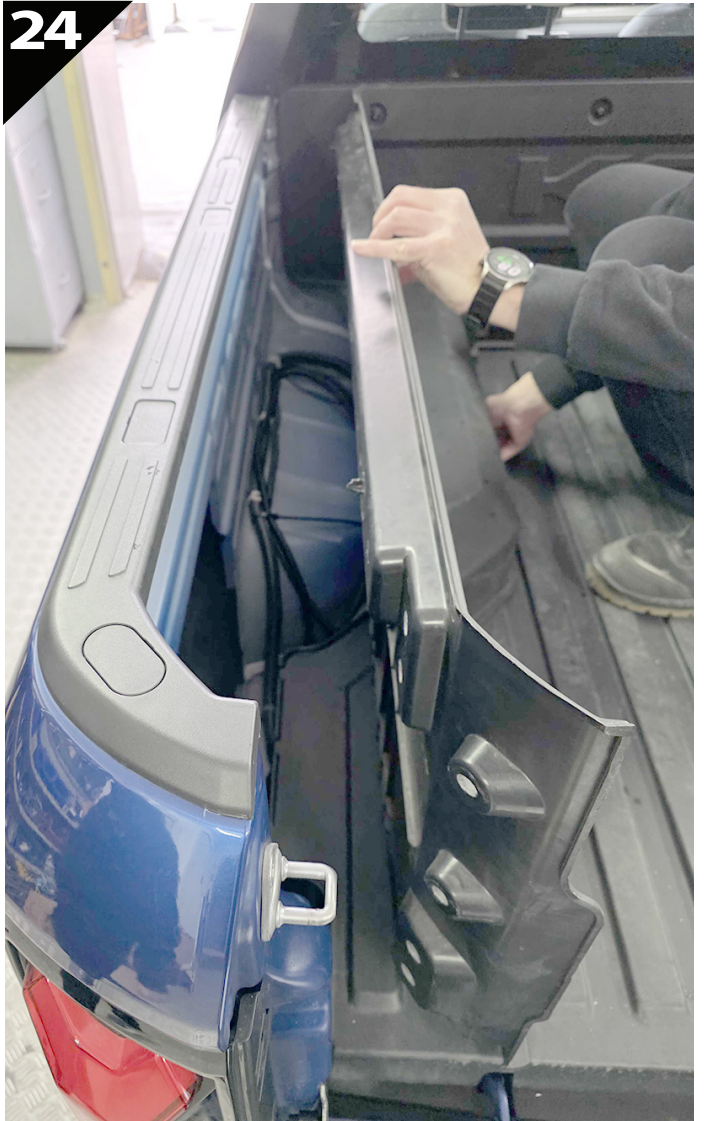
22



23



24



25

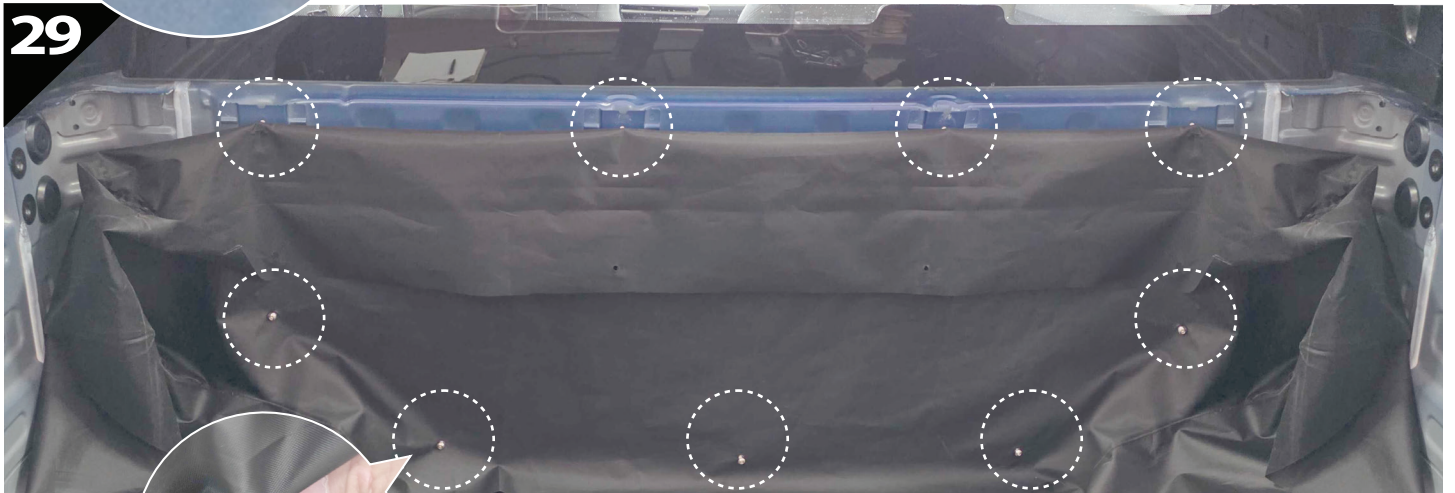
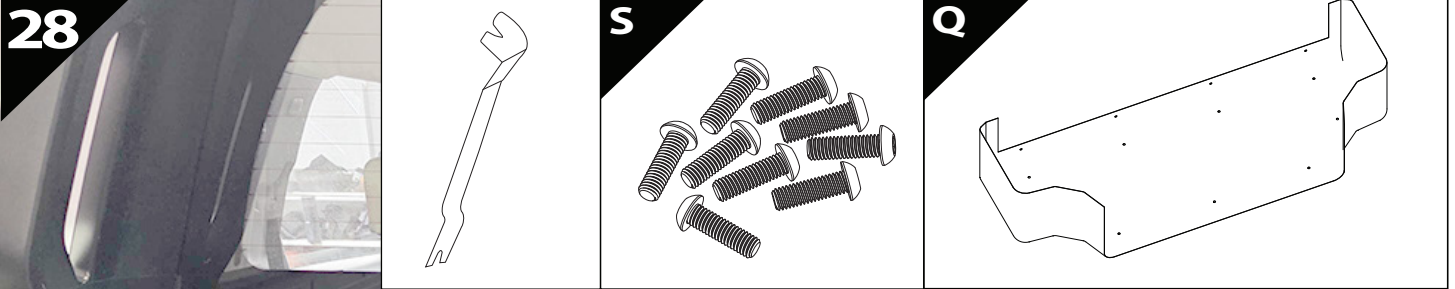


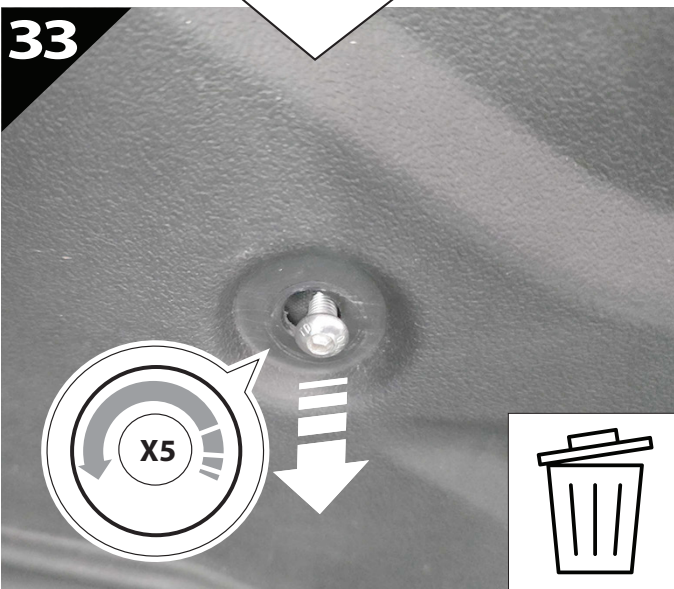
26

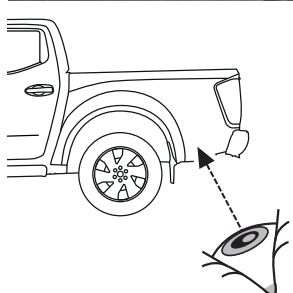
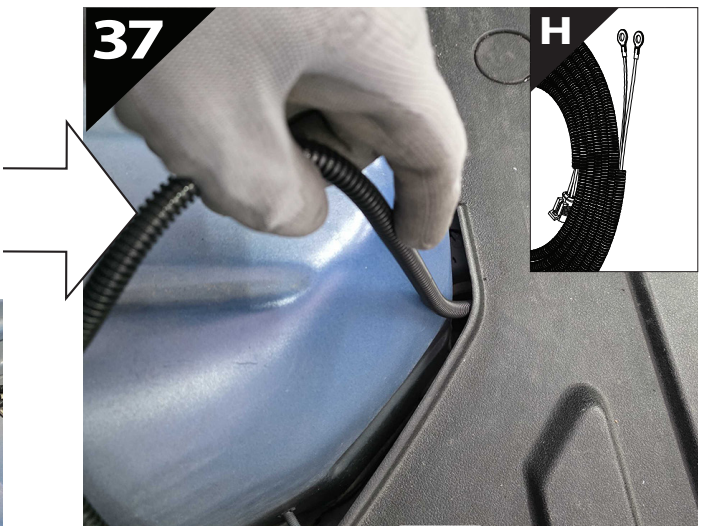
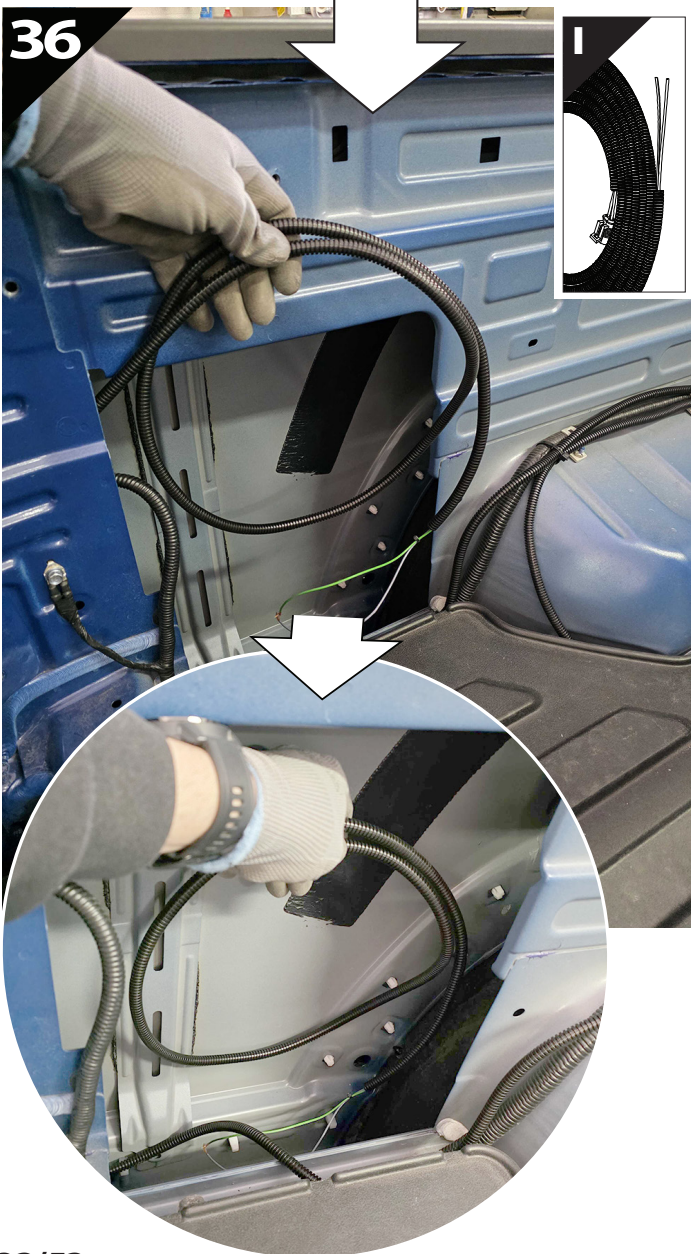
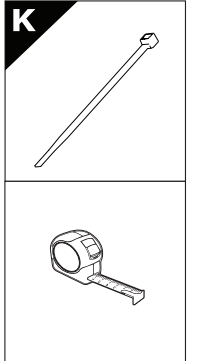
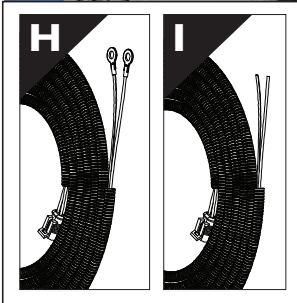
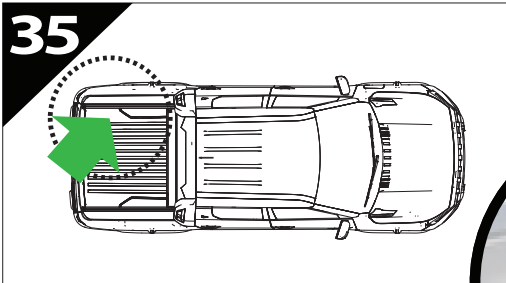


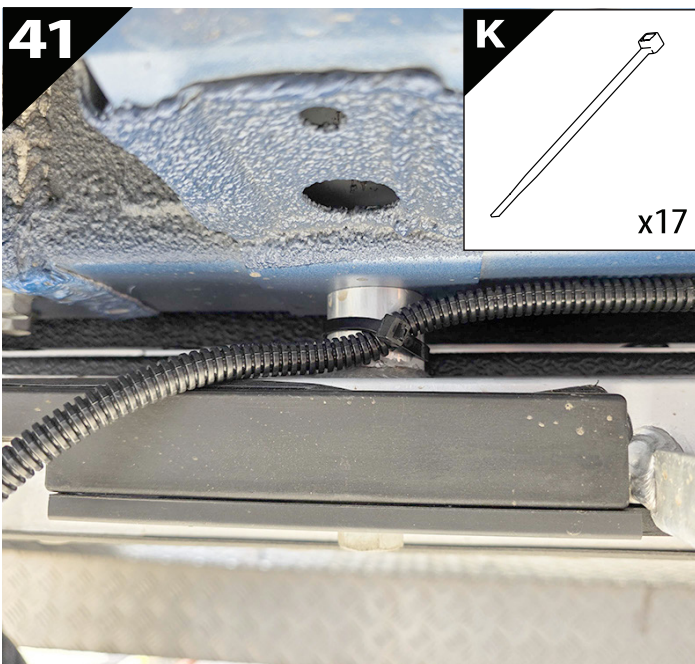
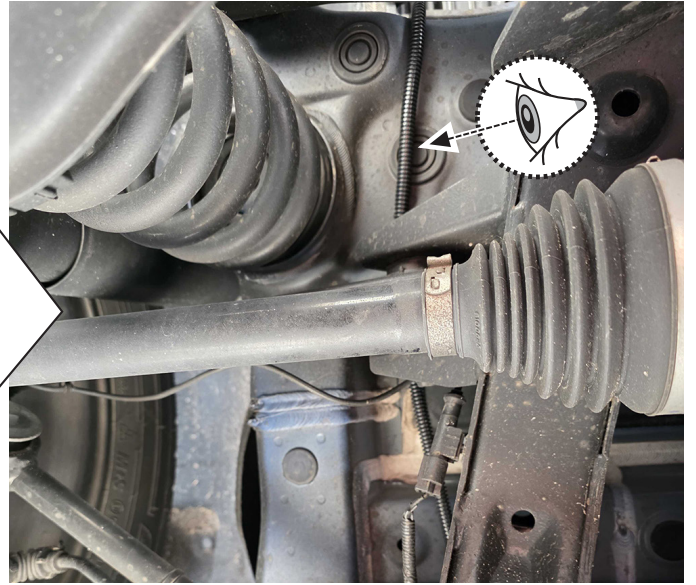
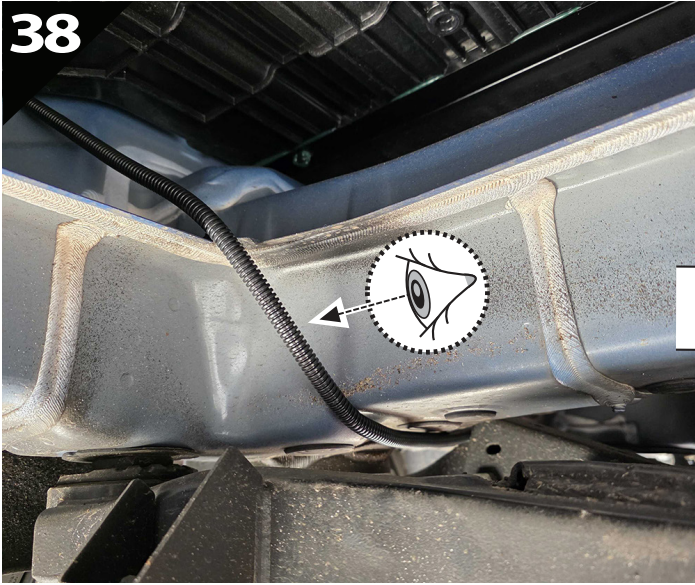
27

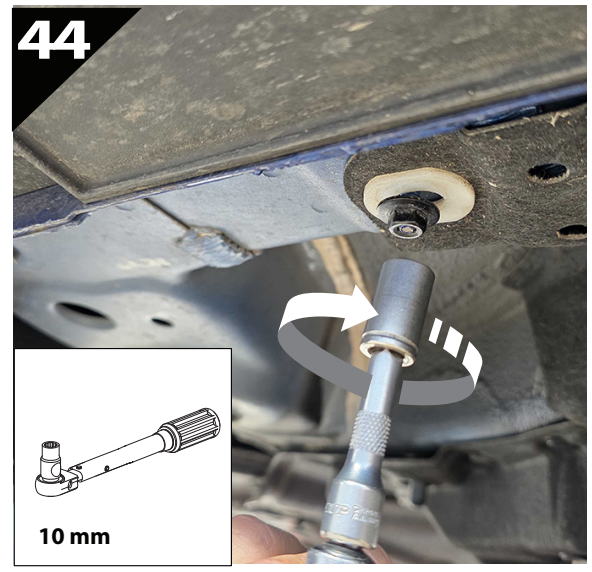
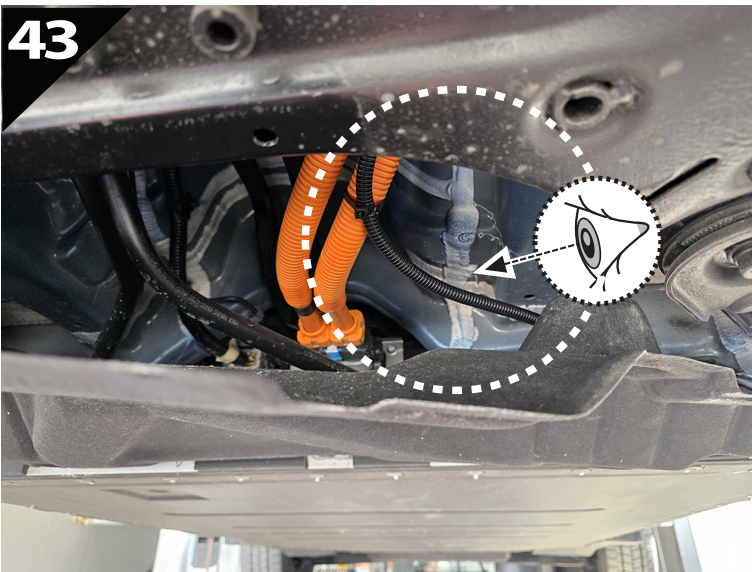
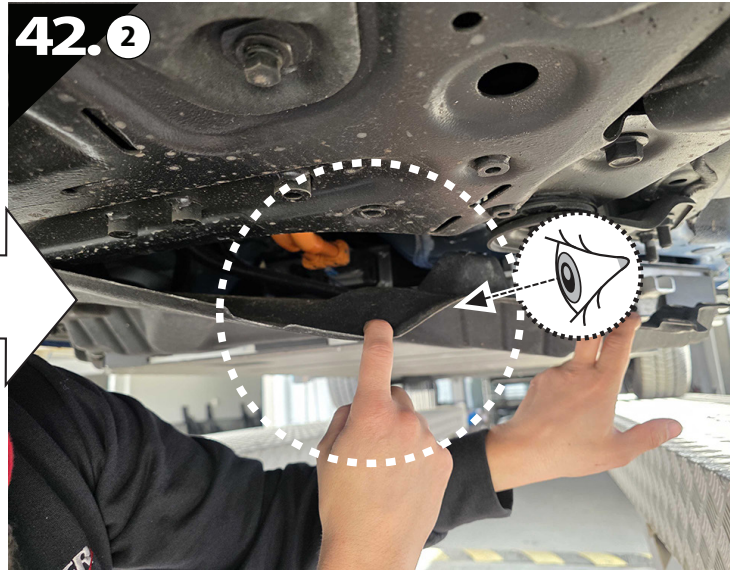
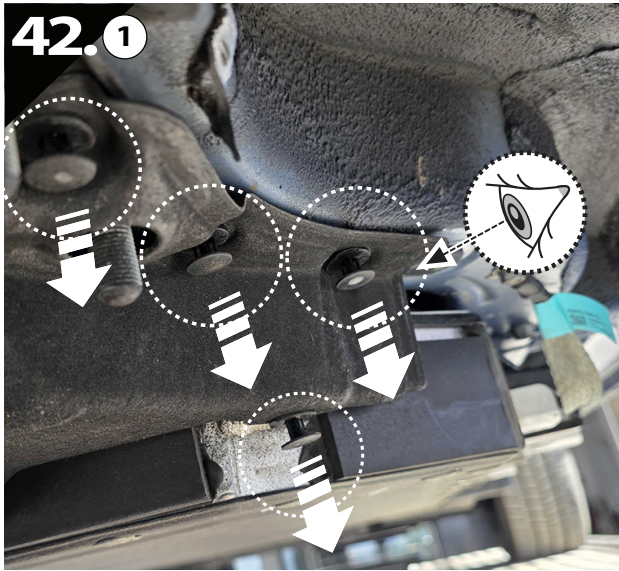


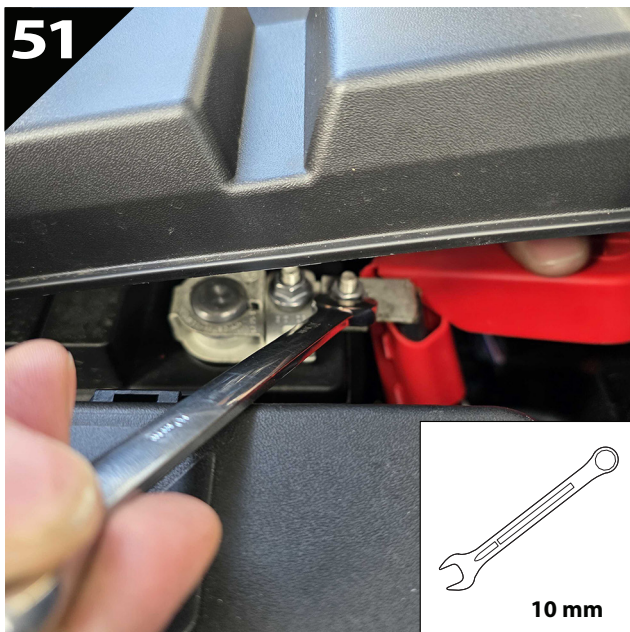
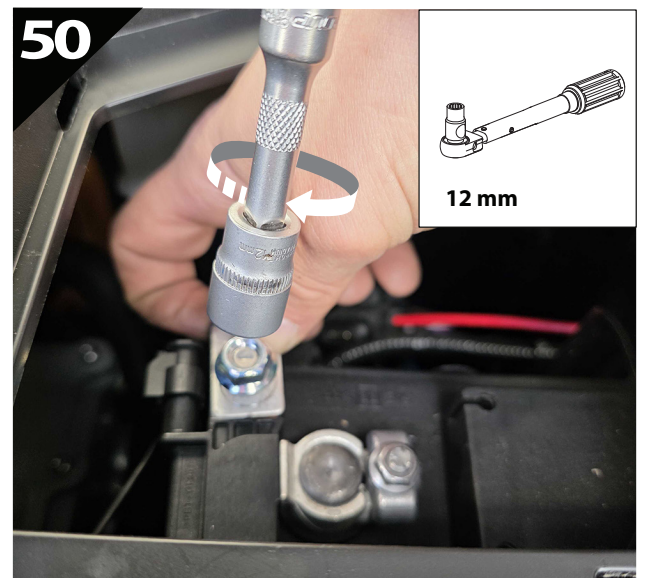
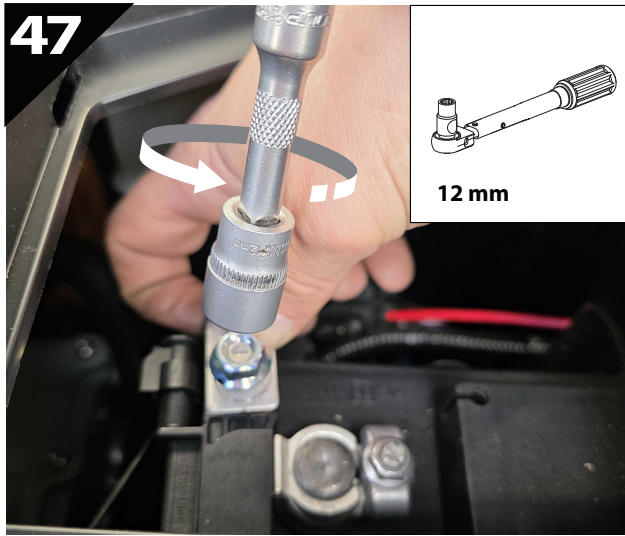




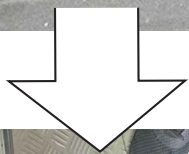
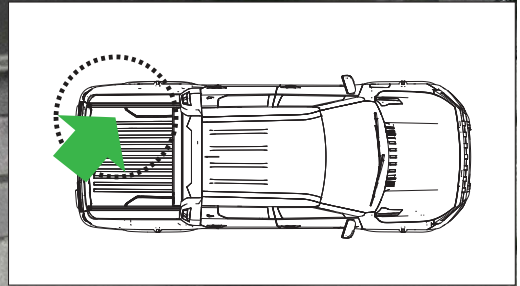




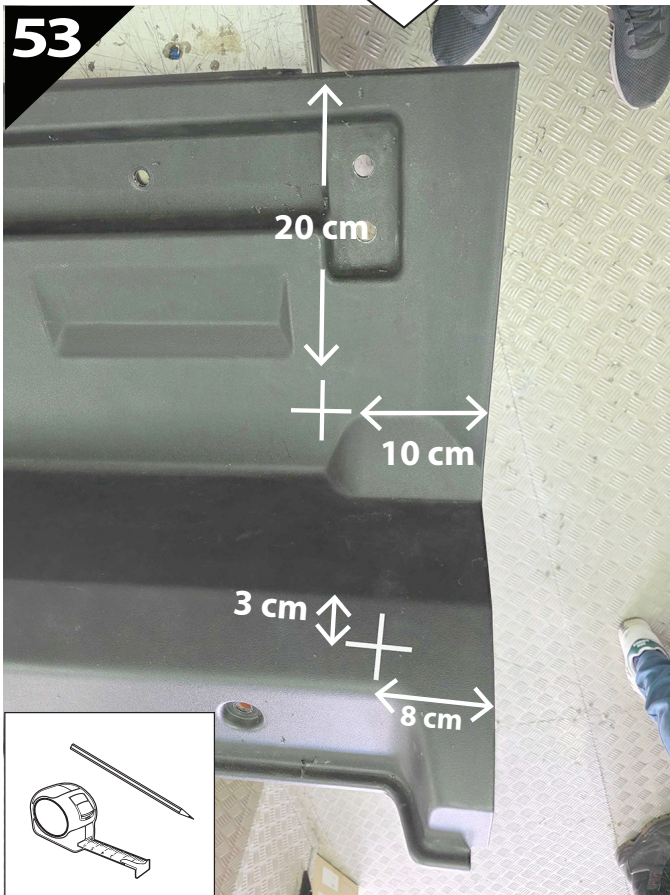




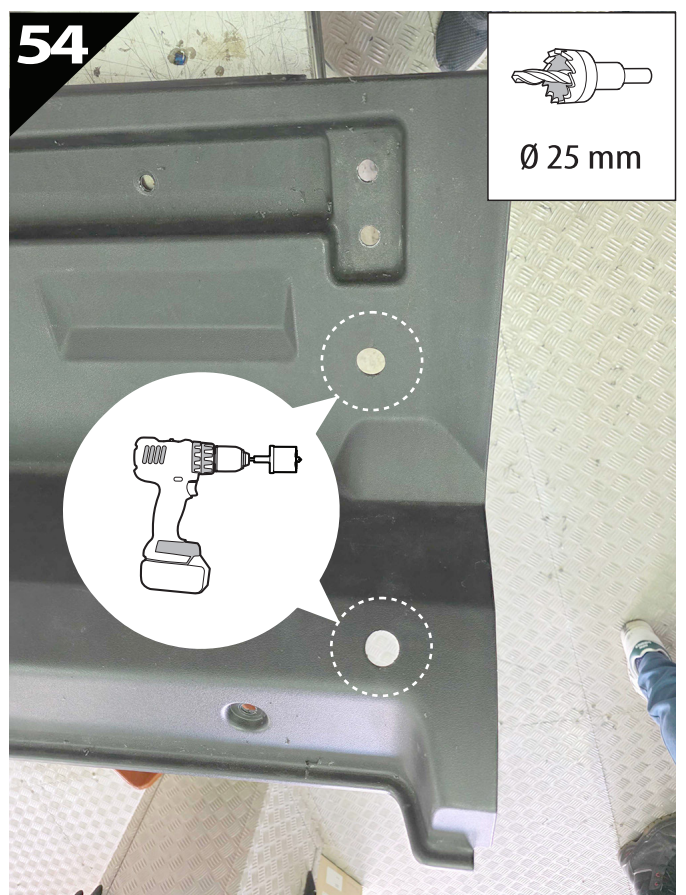
52



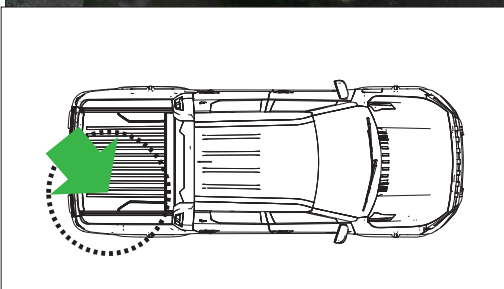
53



54



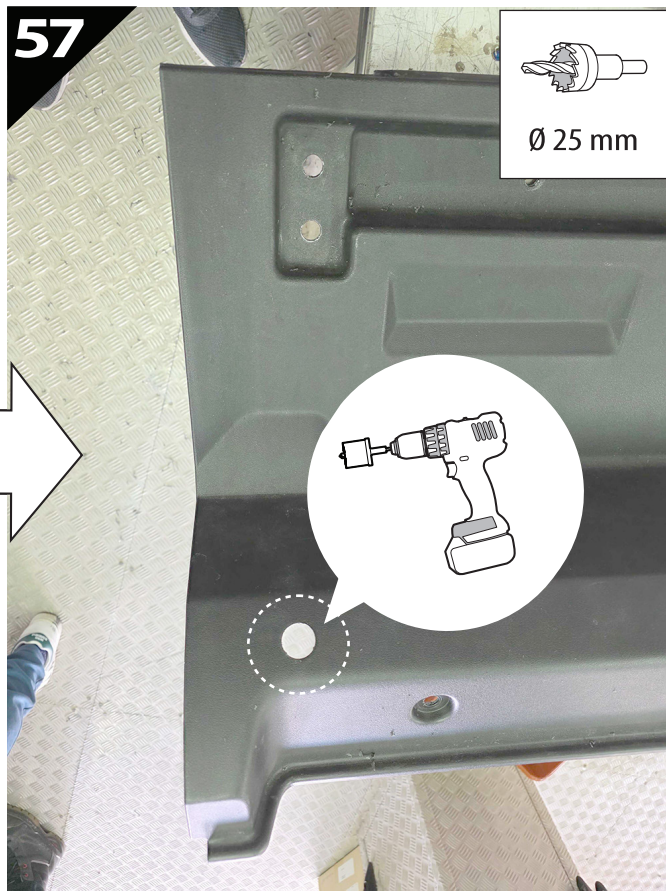
55

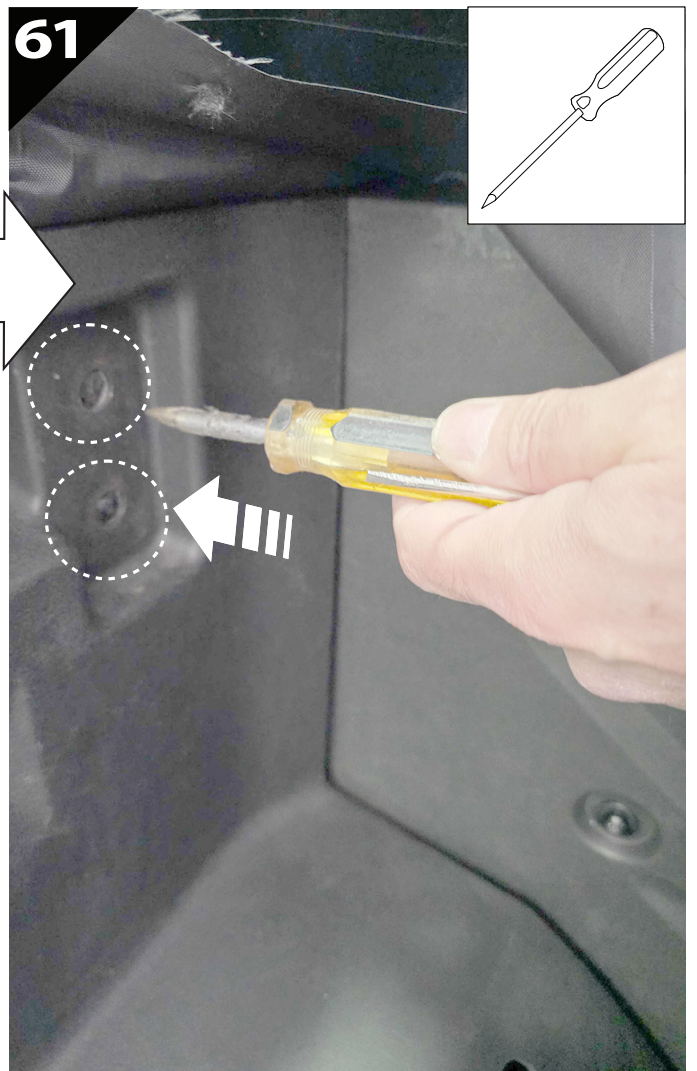
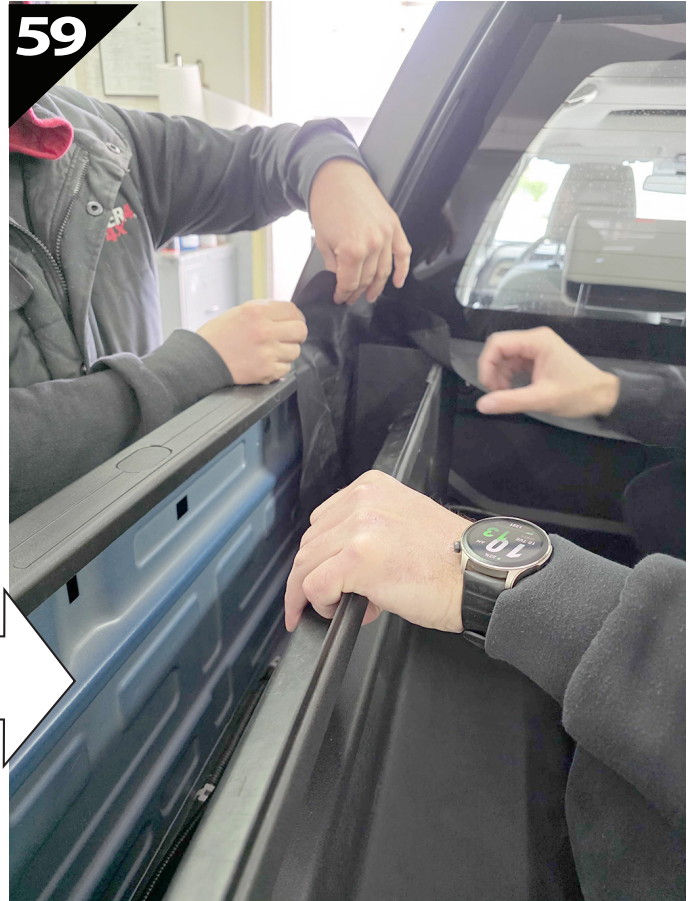
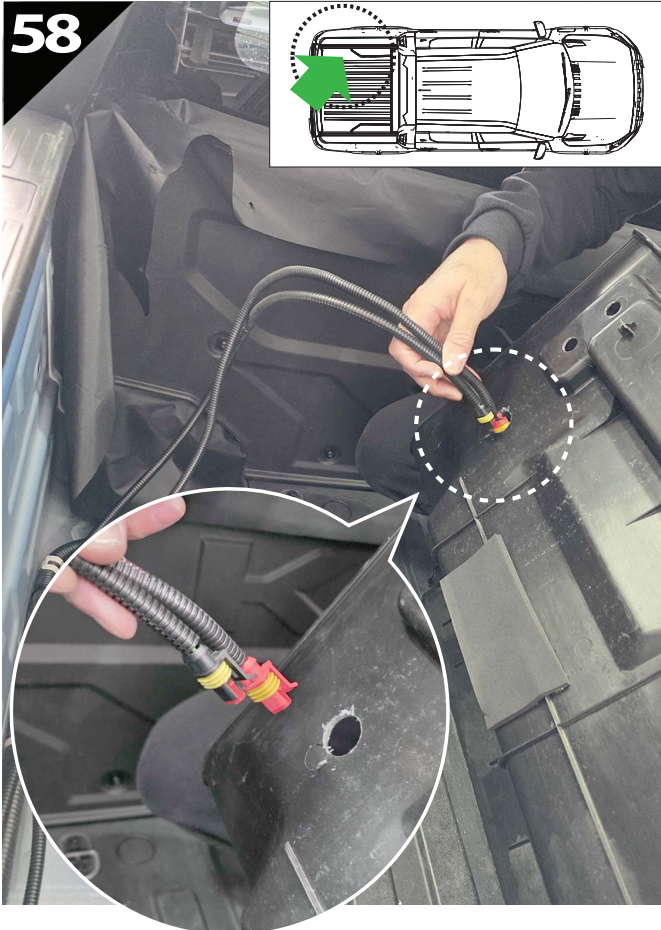


56

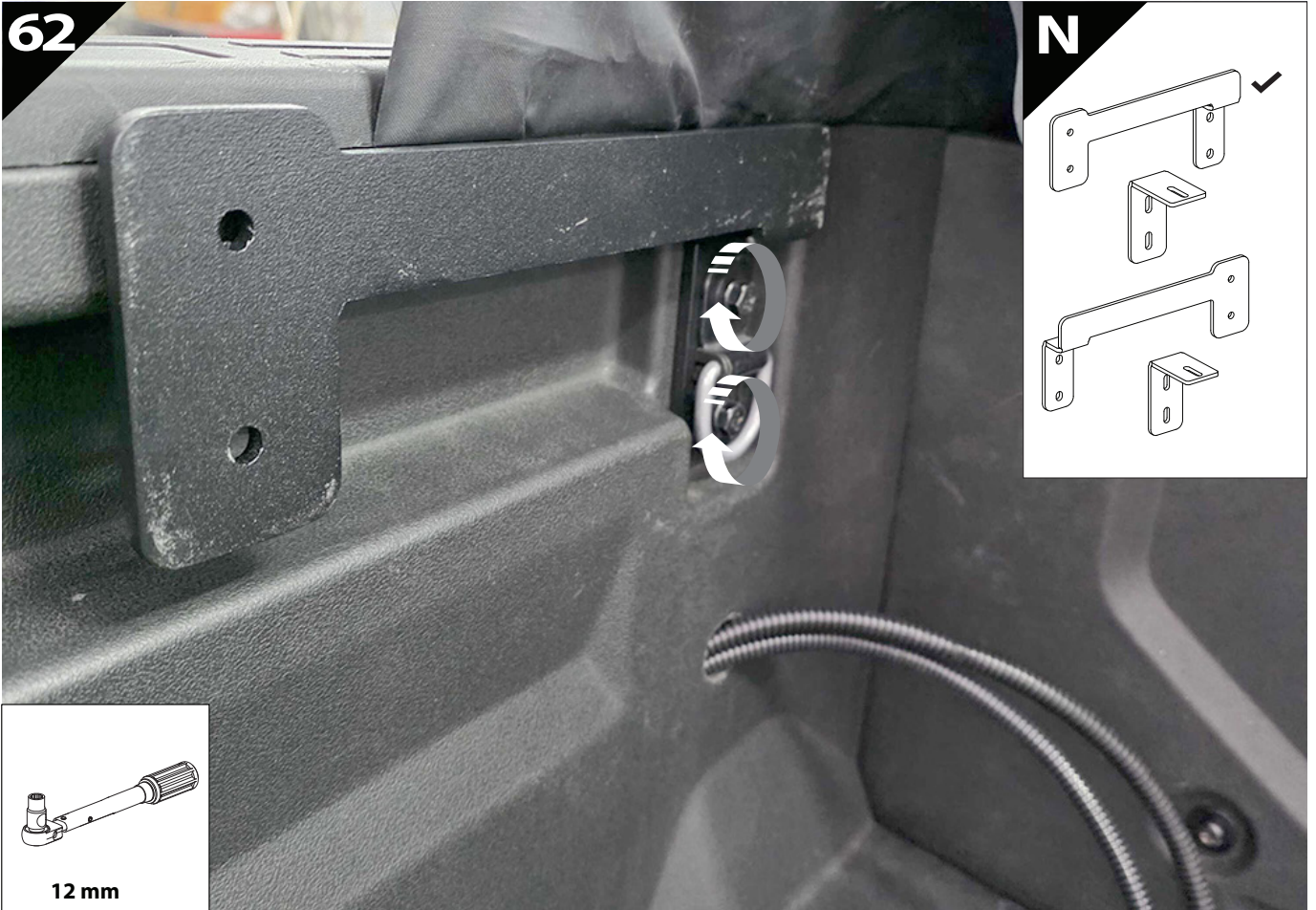


57

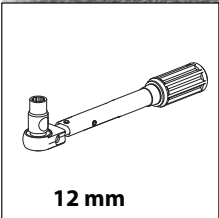
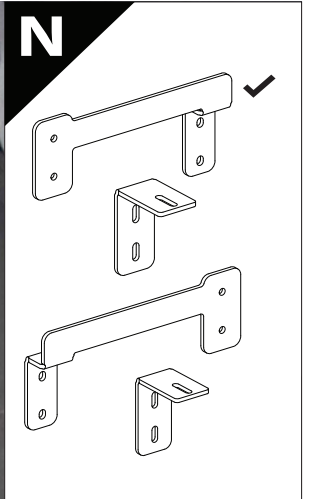




62



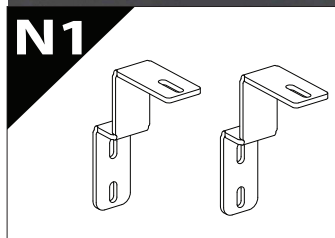
N



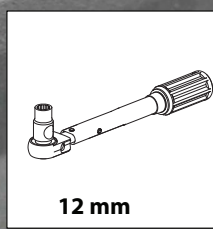
63



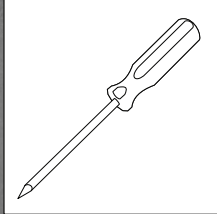
N1



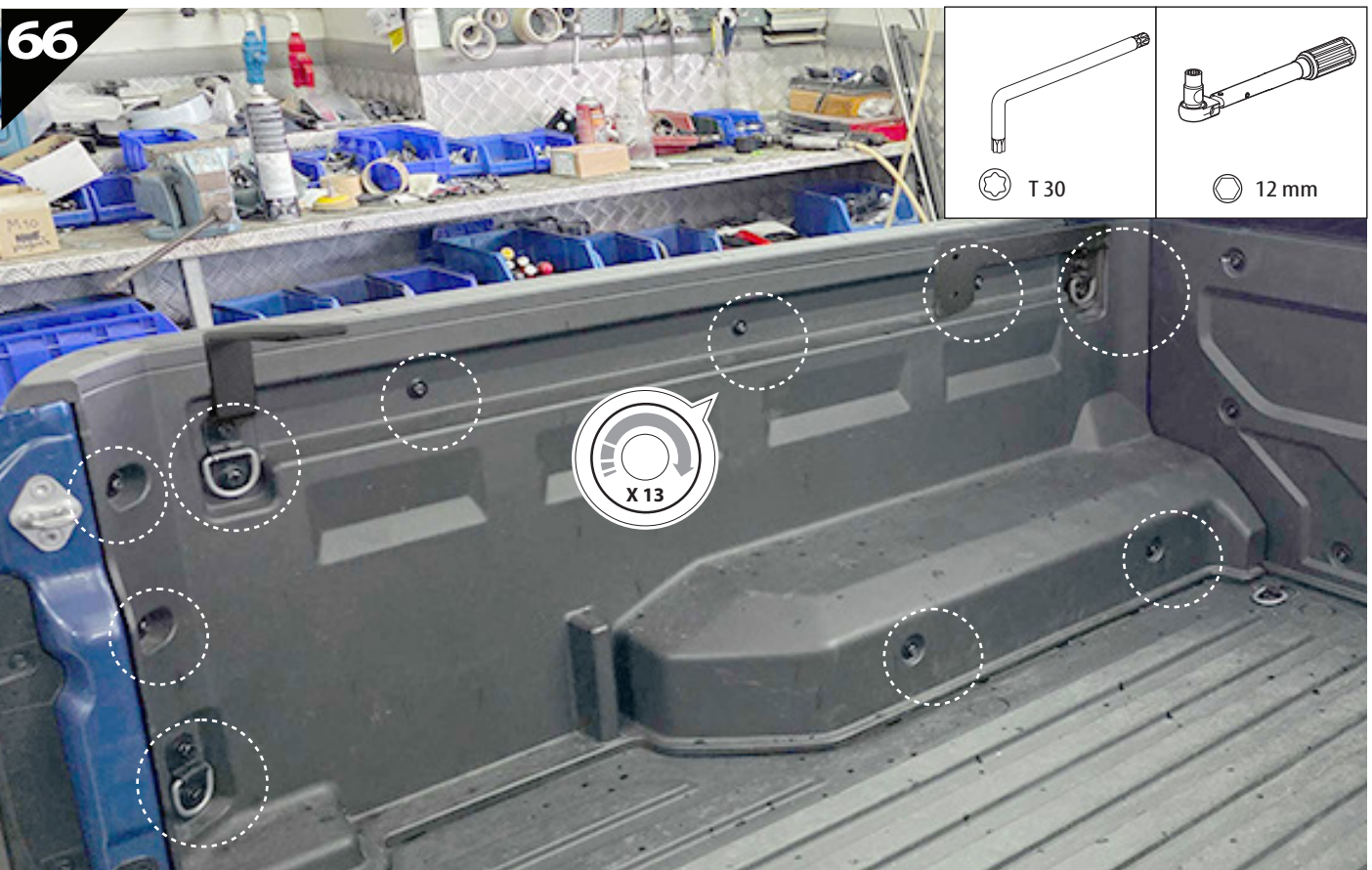
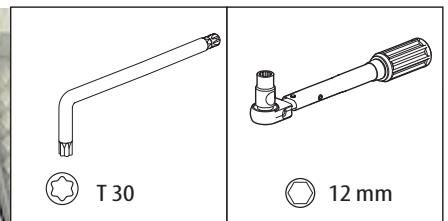
64



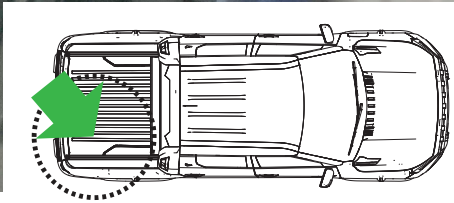
65



66



67



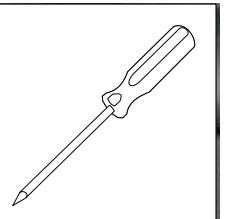
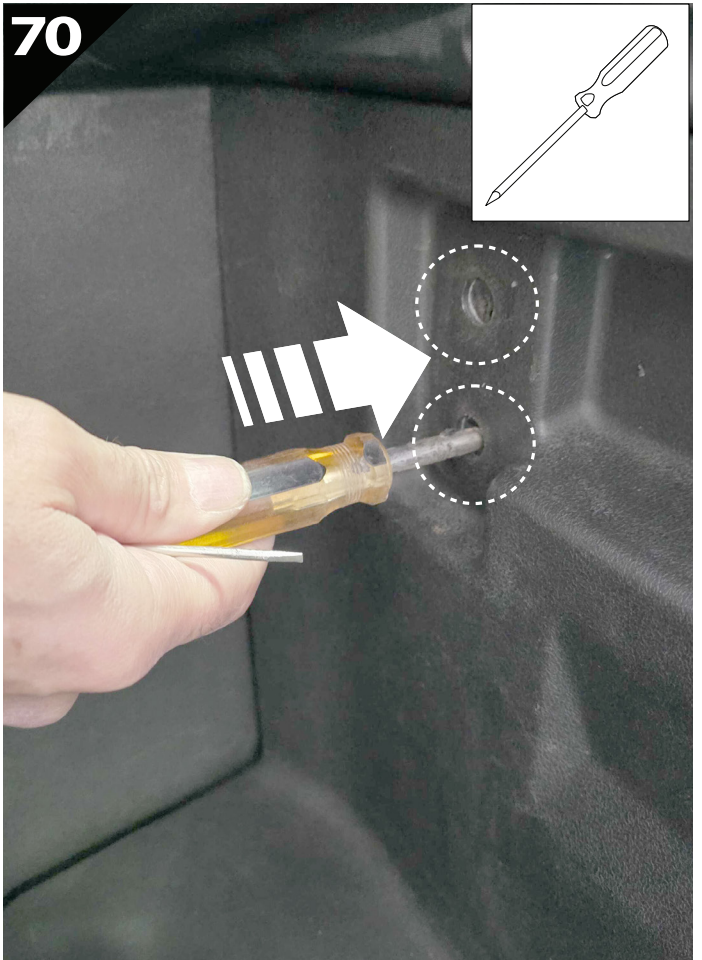
68

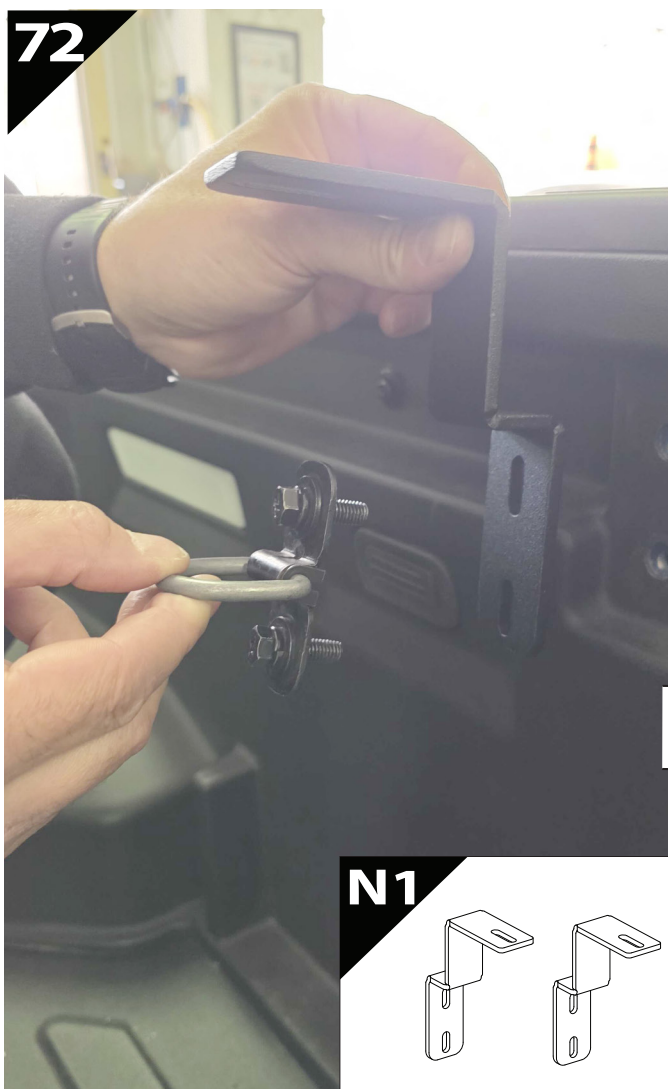
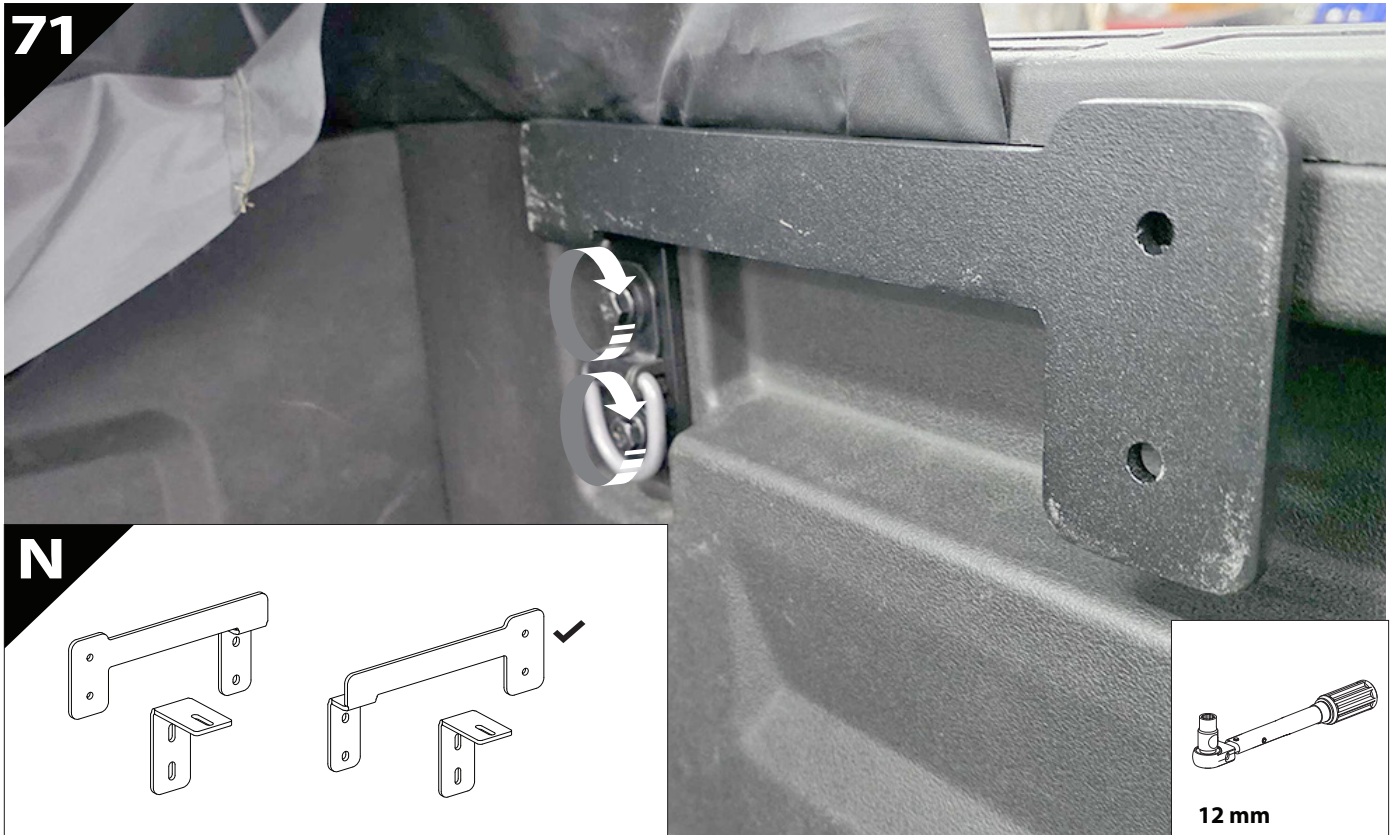


69

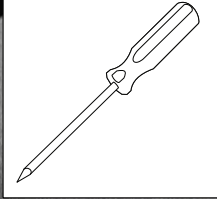


70

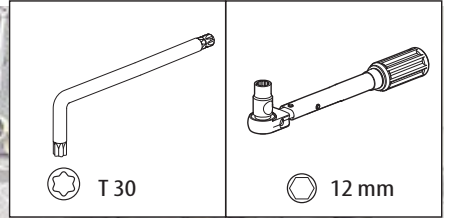
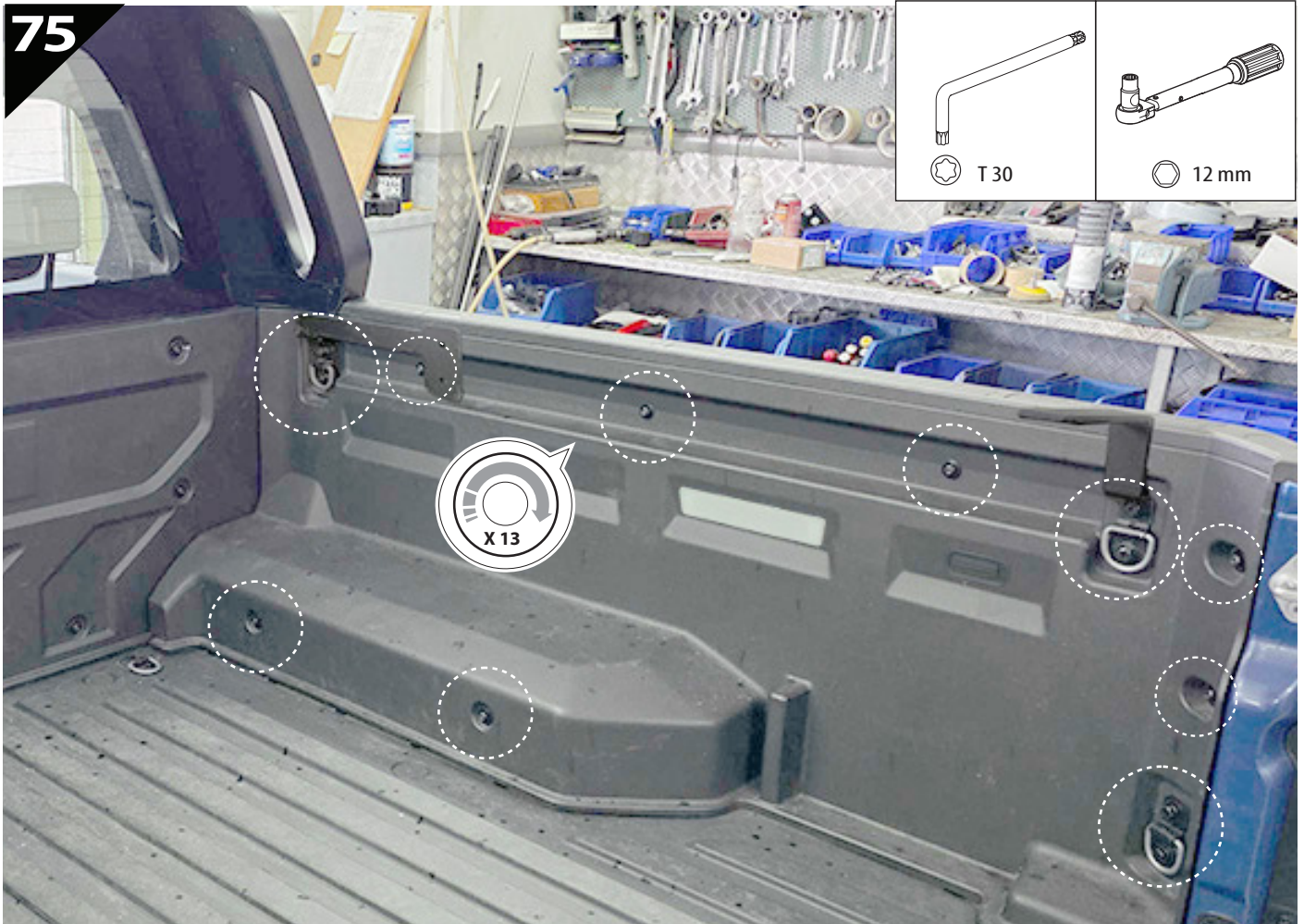




74



75



76



77

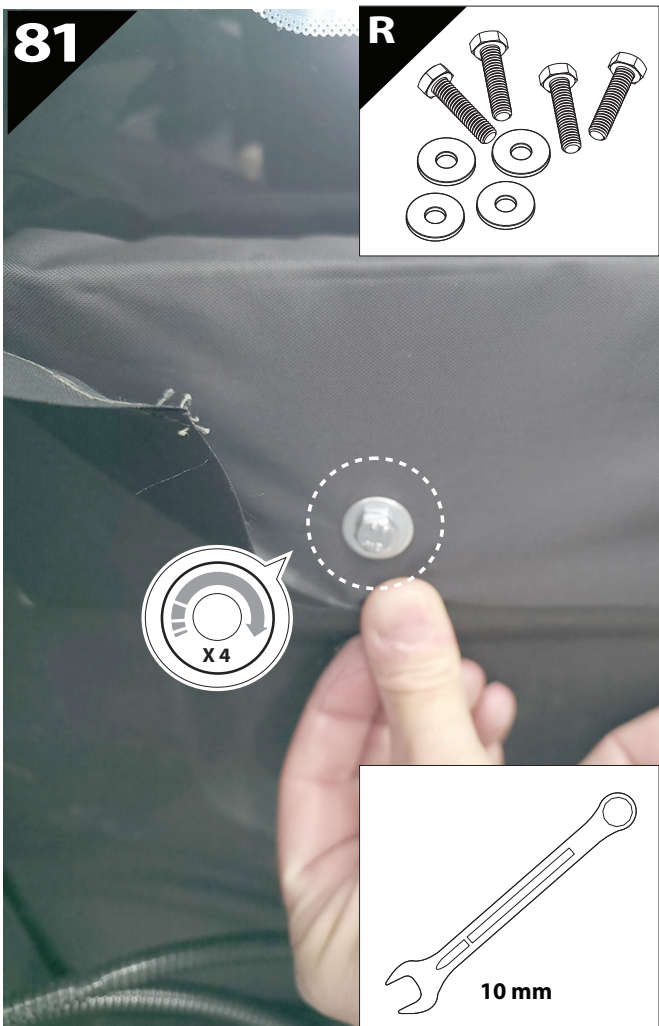


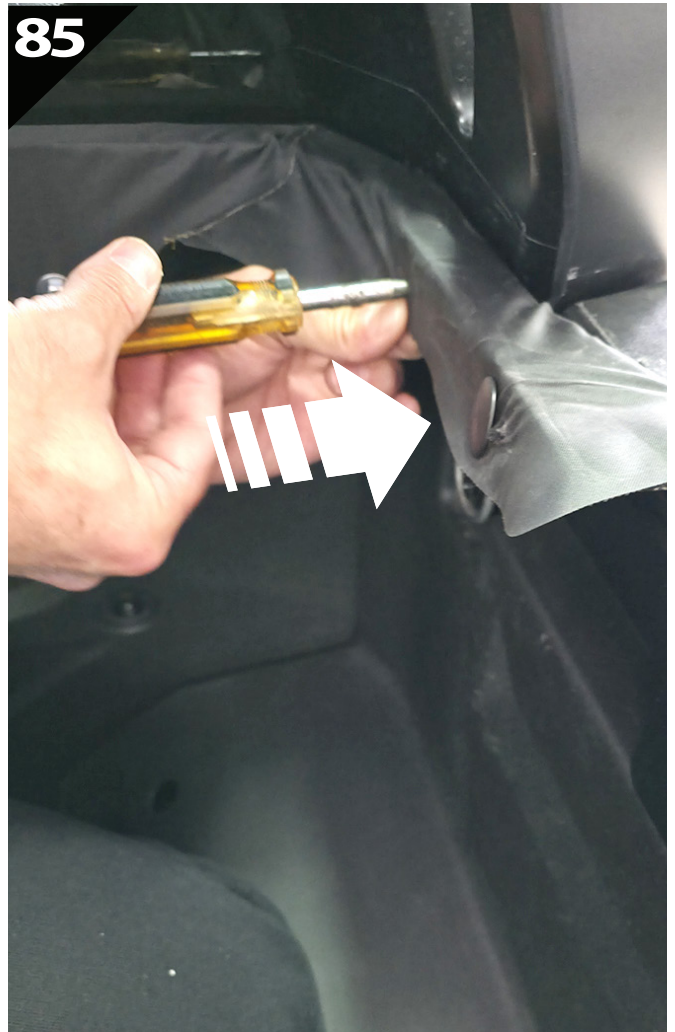
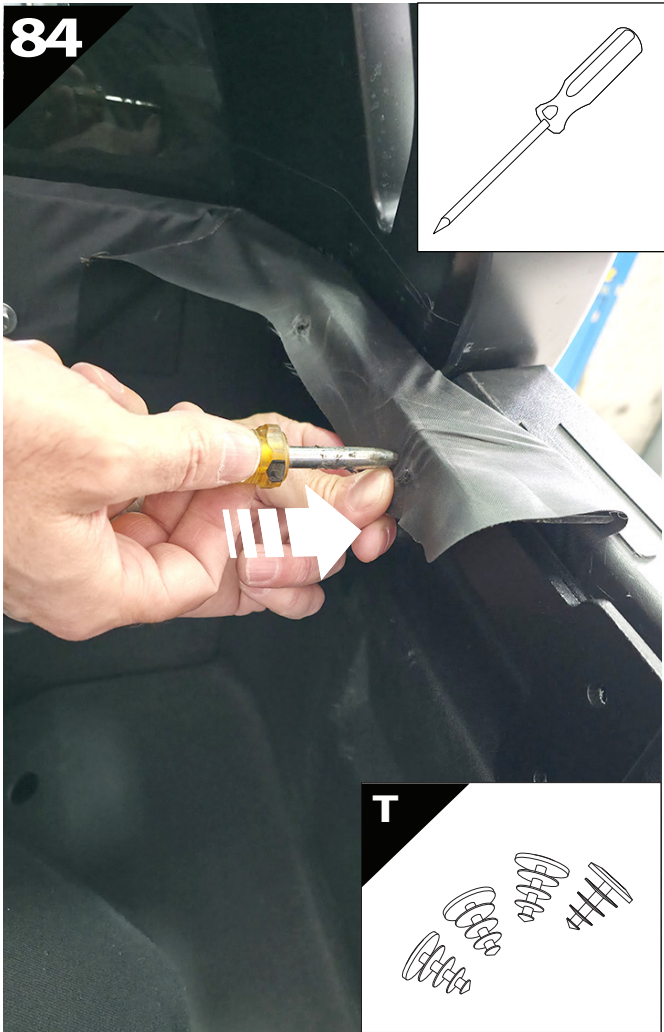
78



79









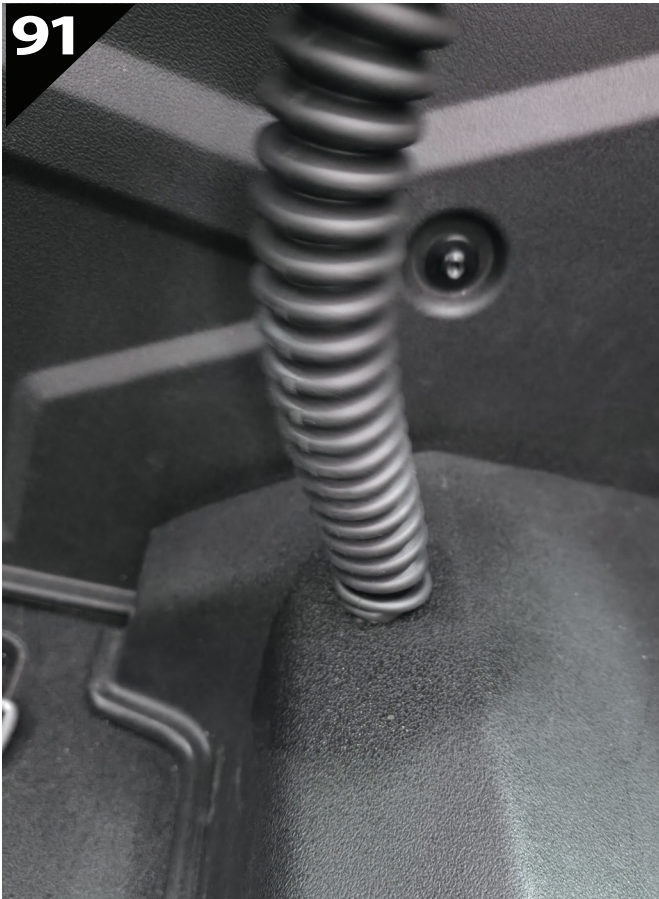
89



90

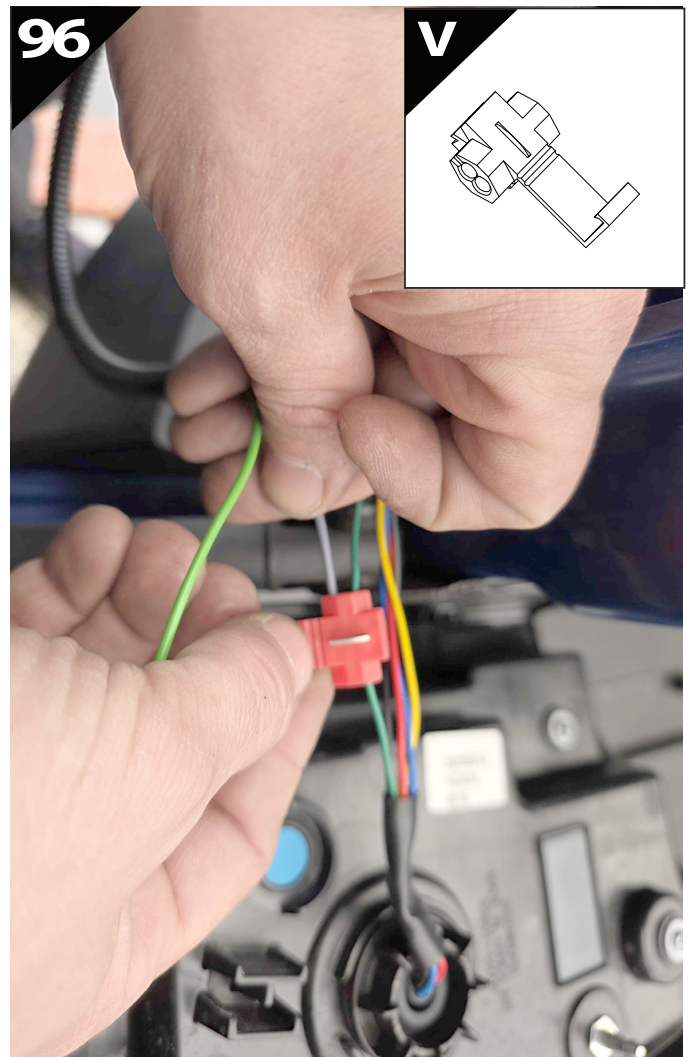
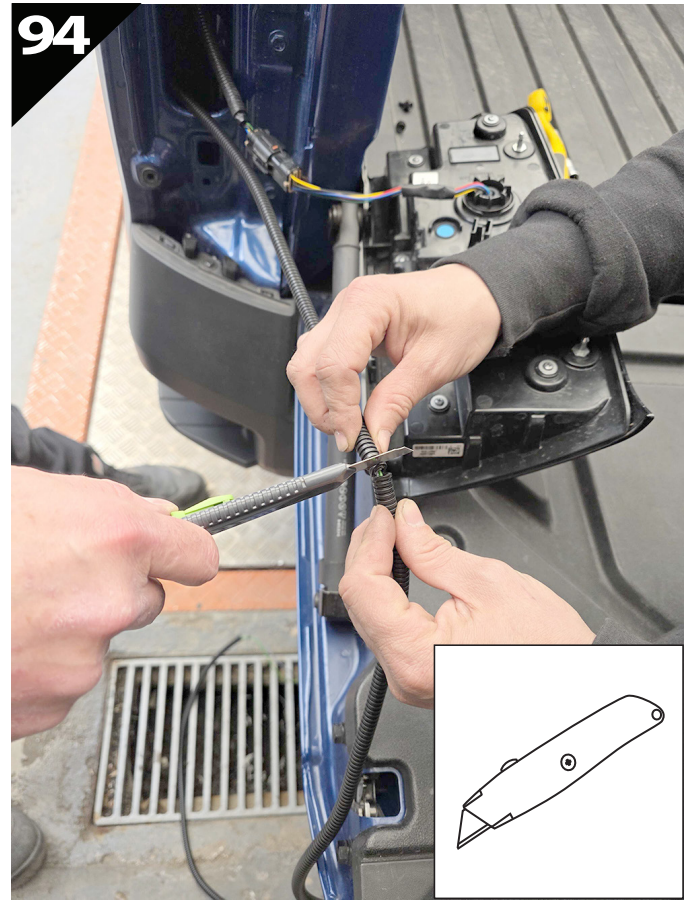


91

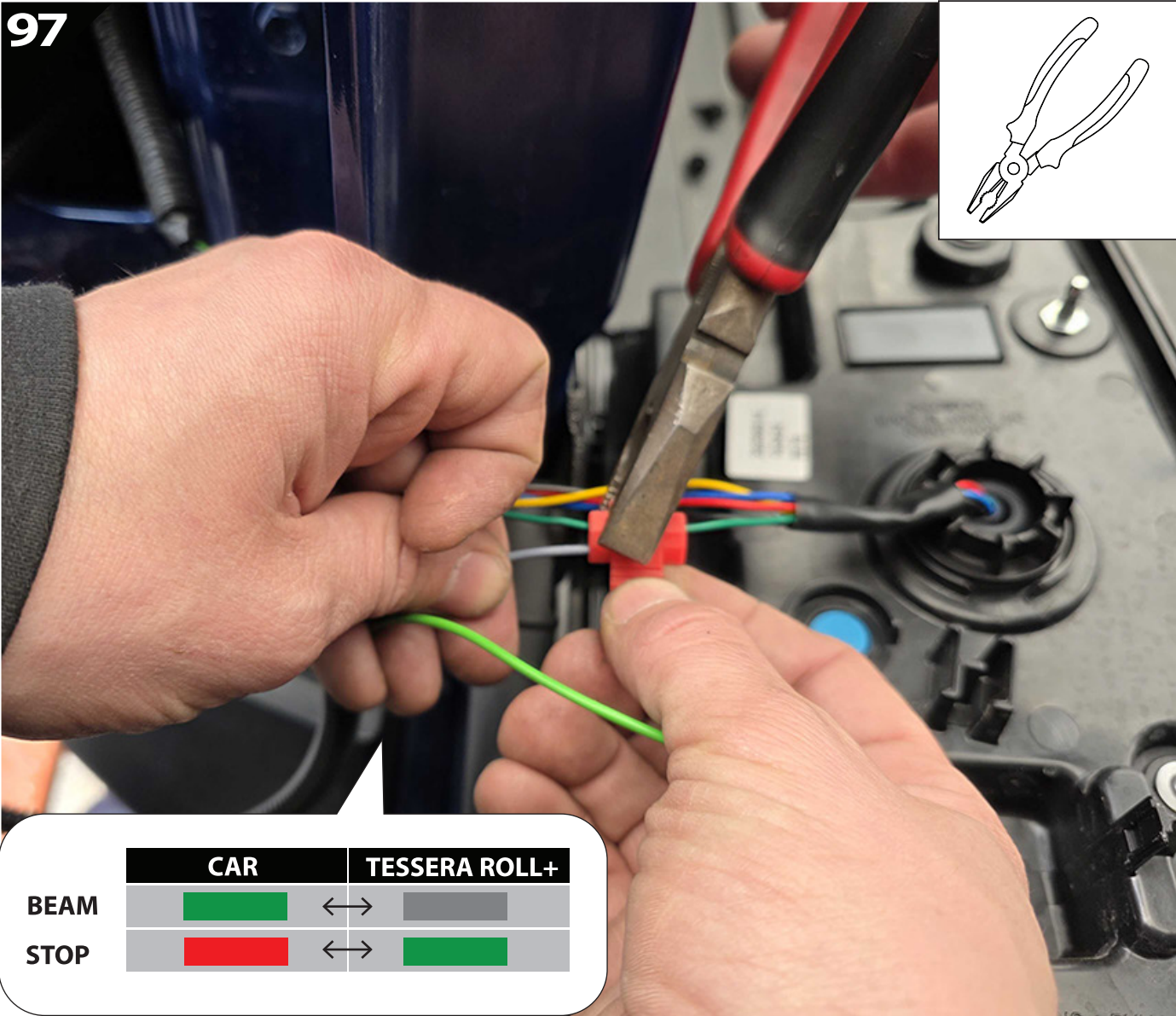
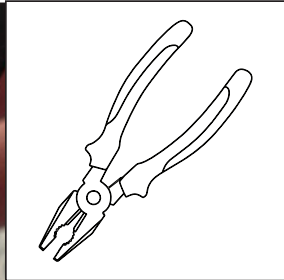






92

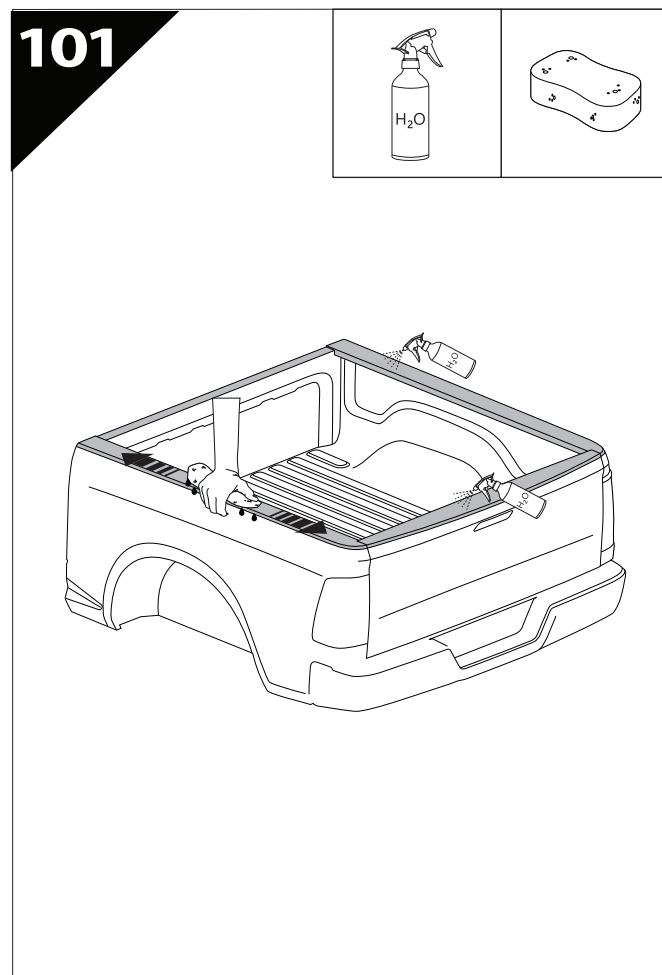
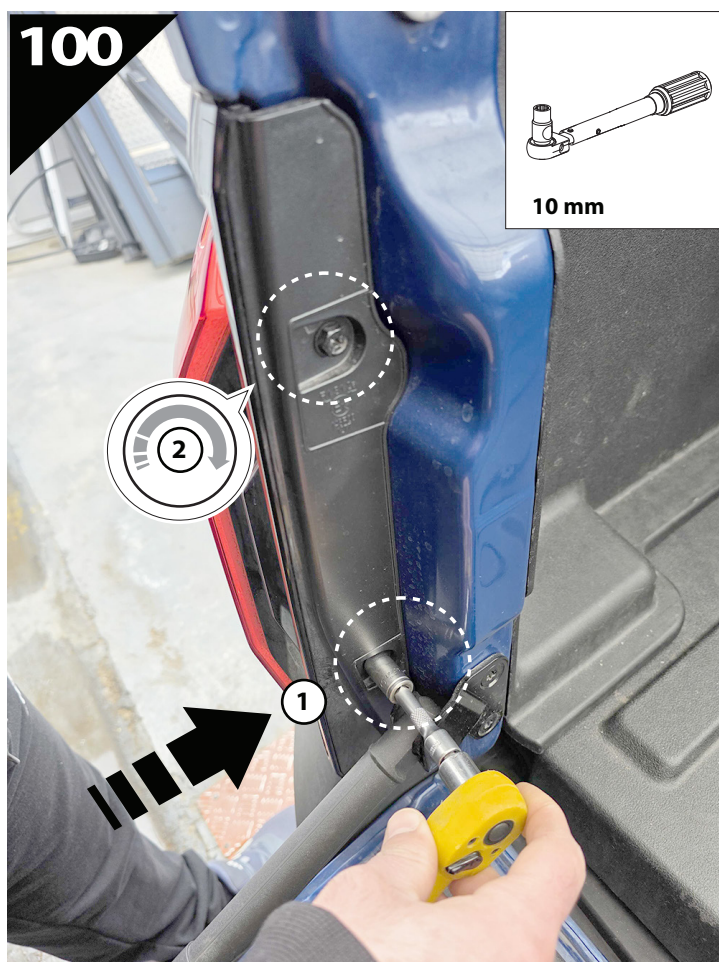
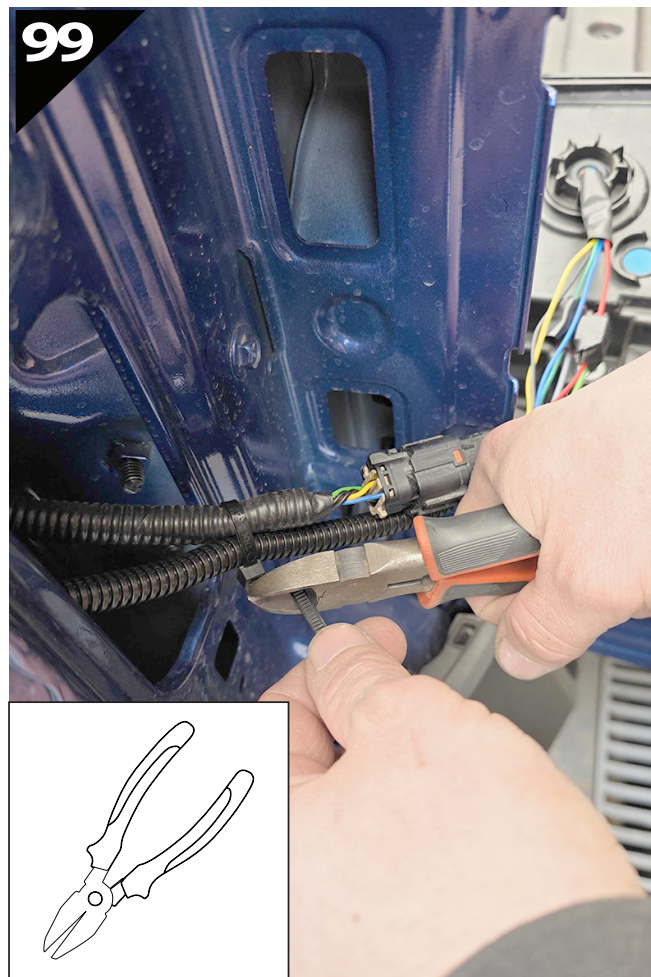




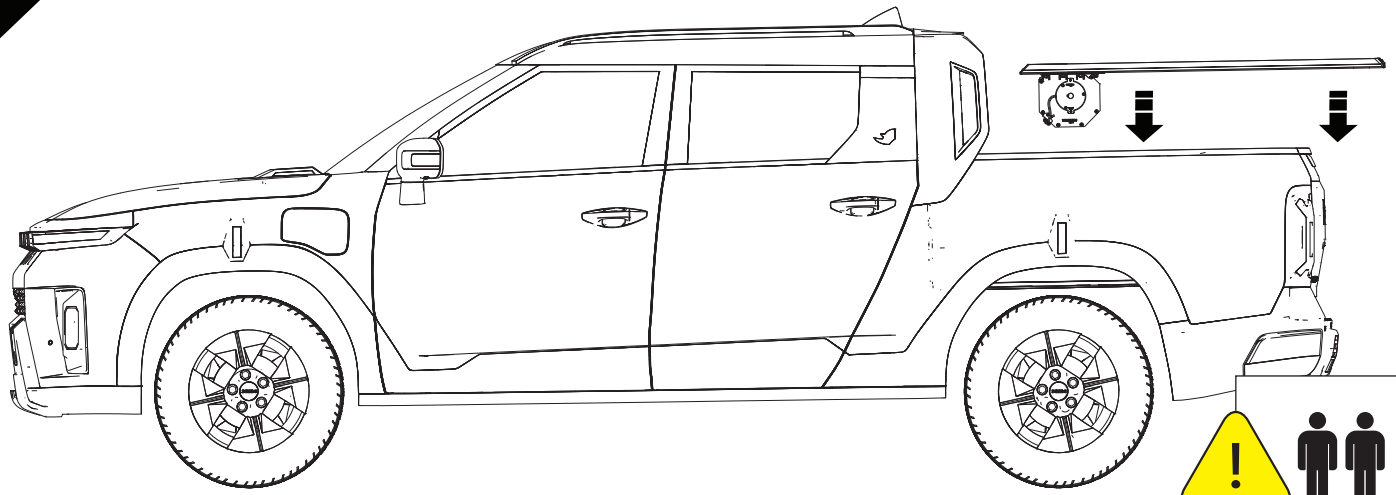
97



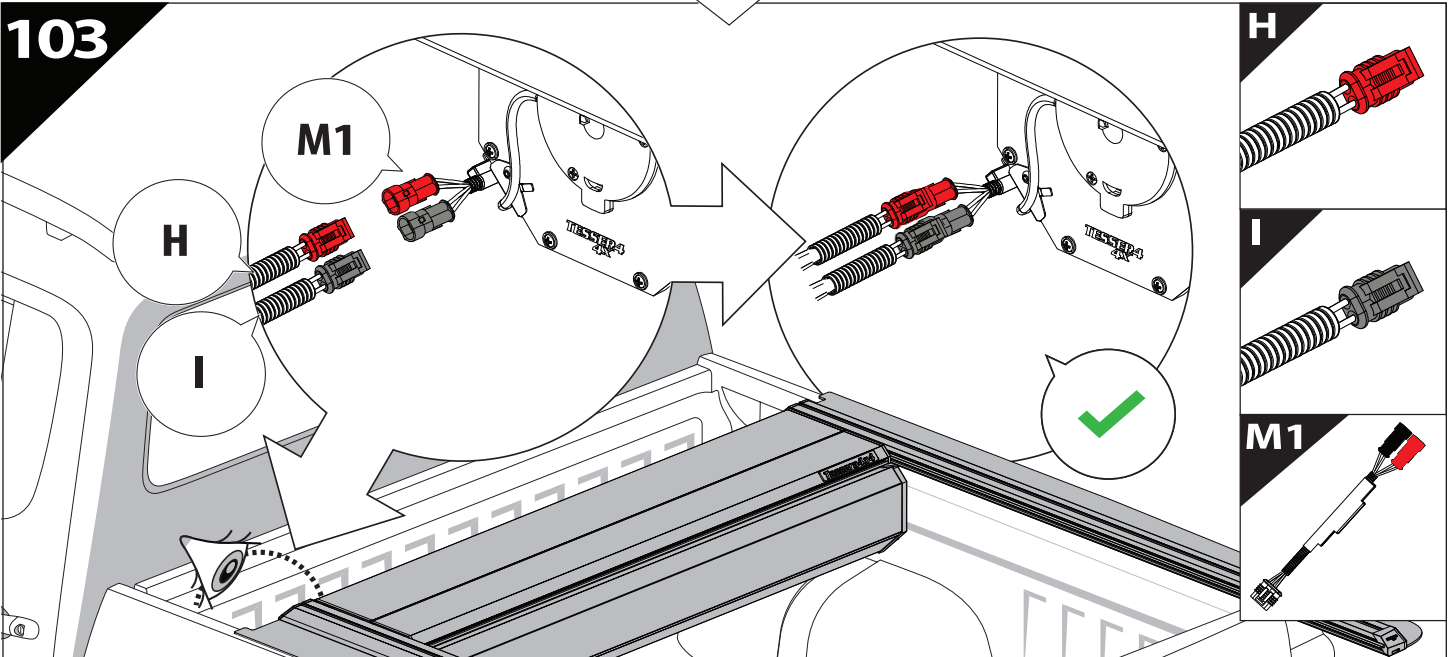
	CAR		TESSERA ROLL+
BEAM		↔	
STOP		↔	



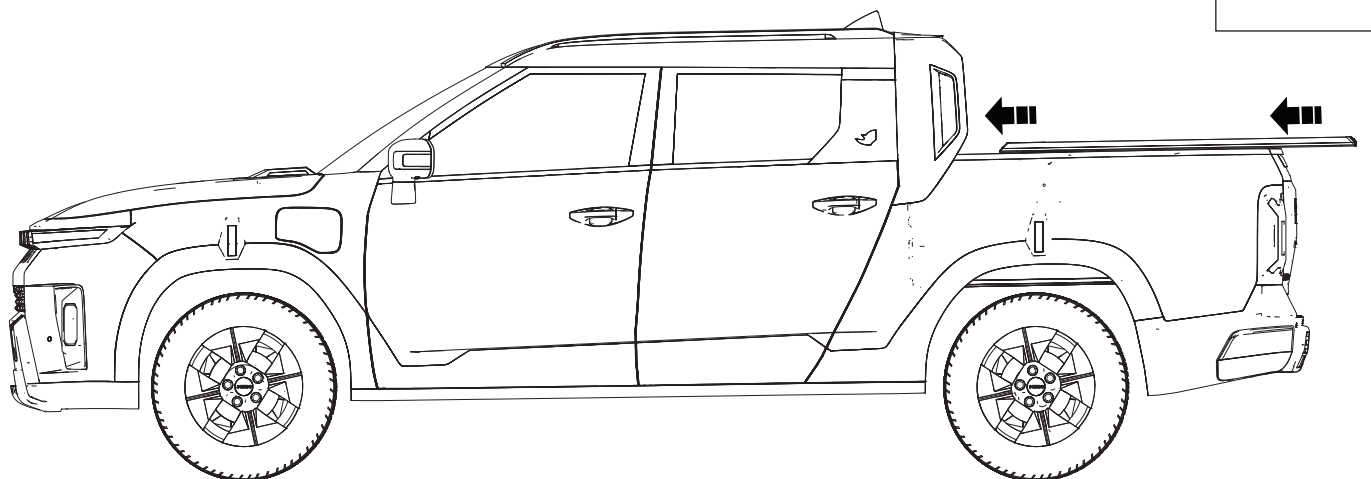
102

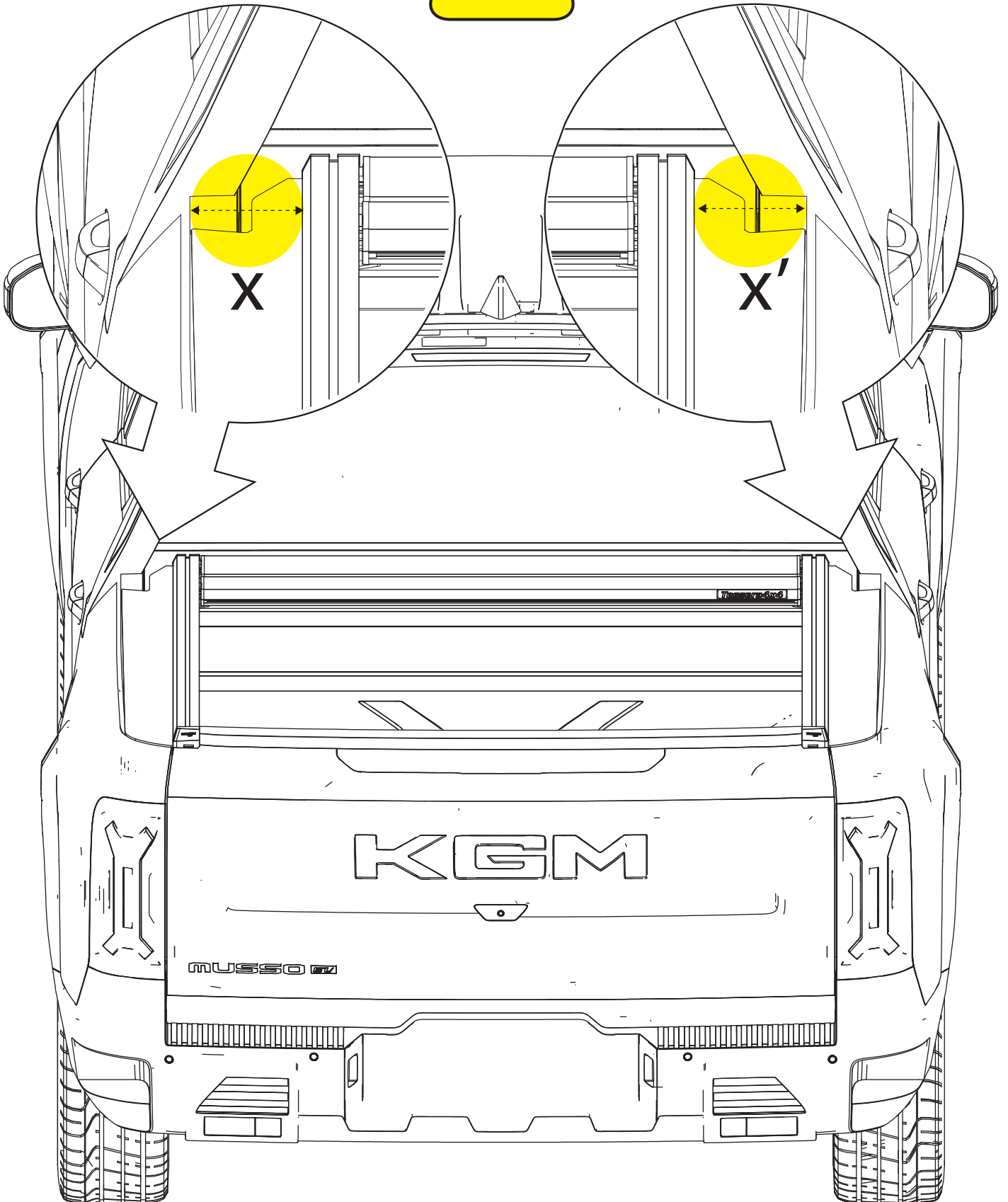
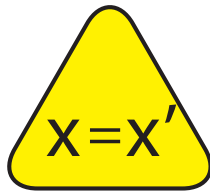


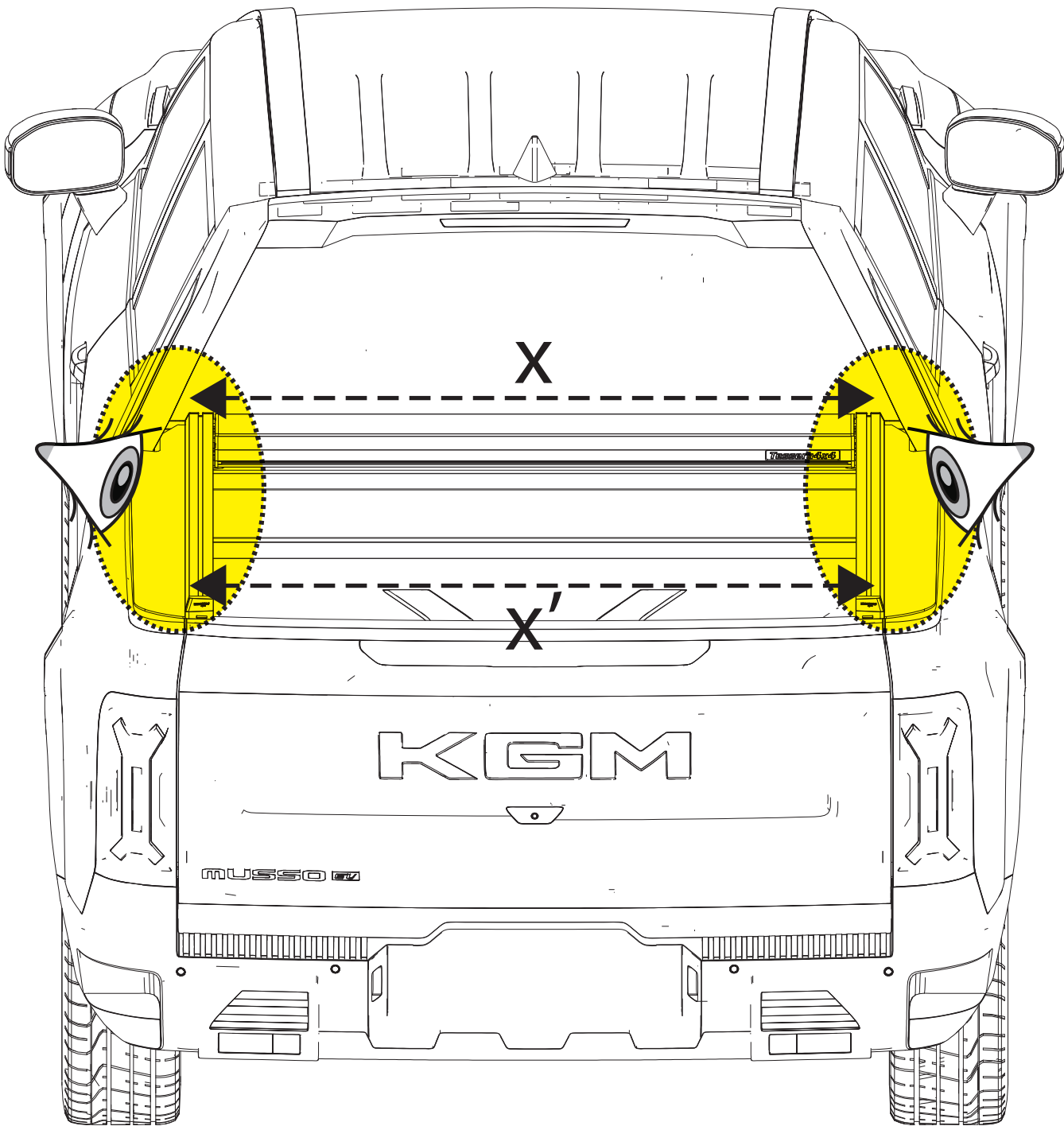
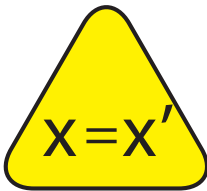
103



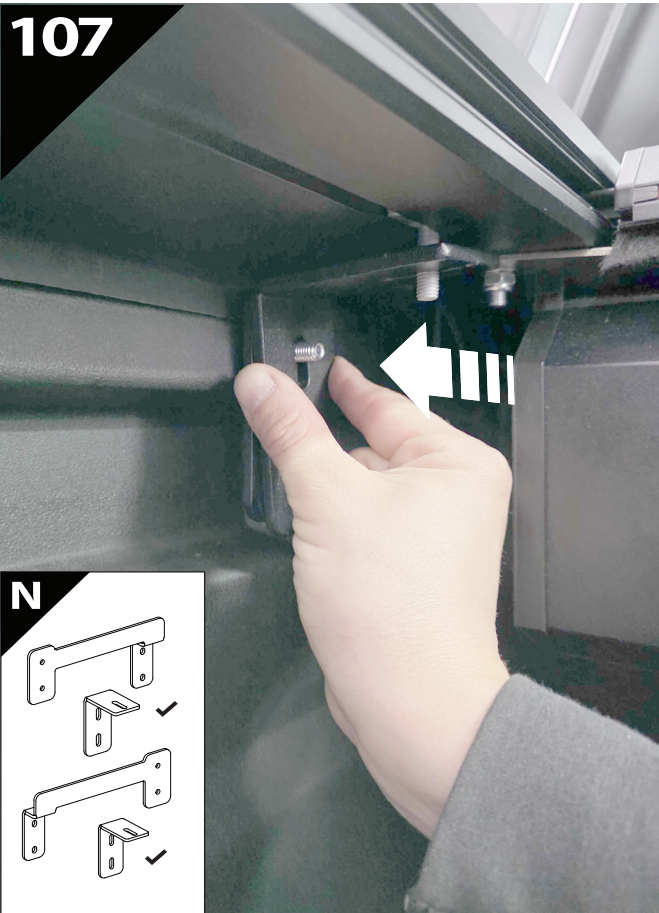
104



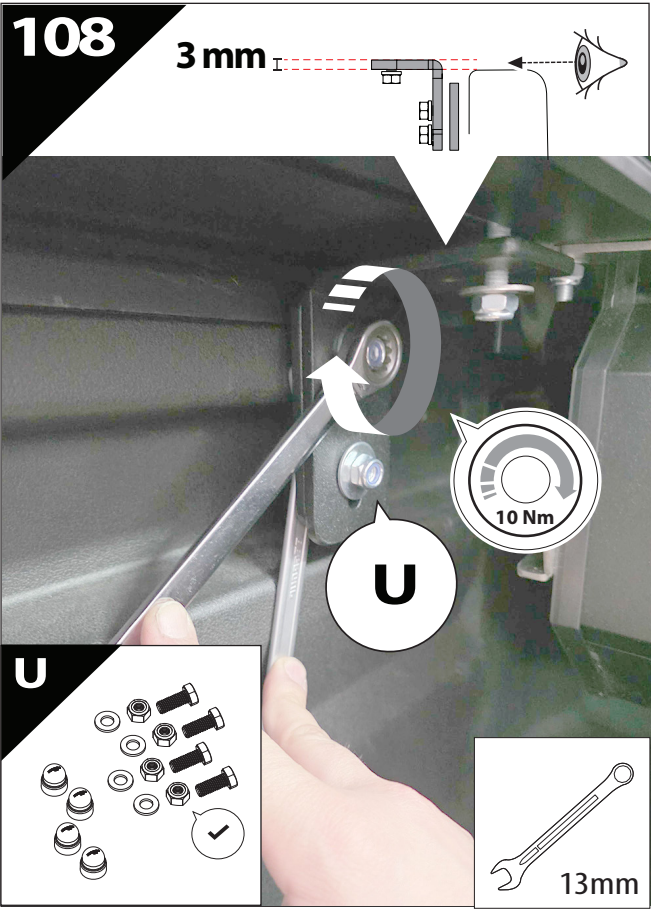




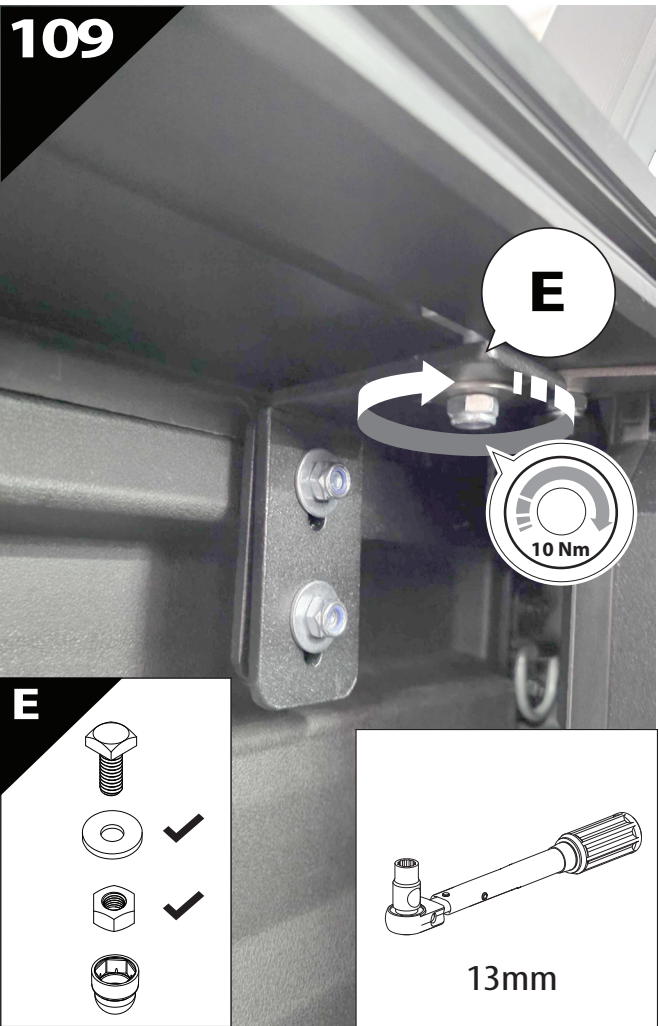
107



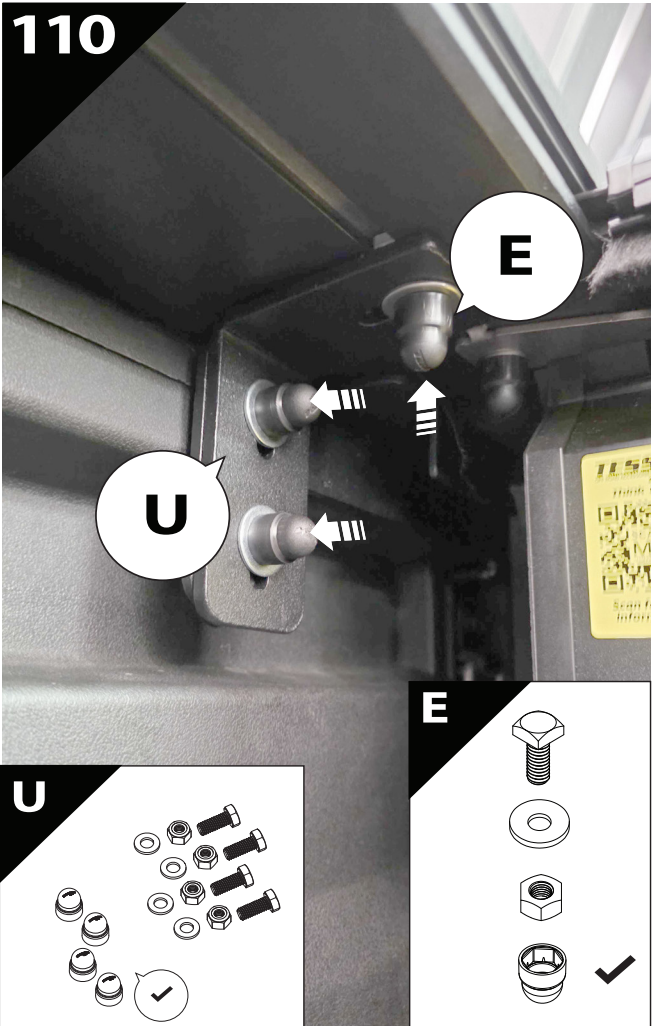
108

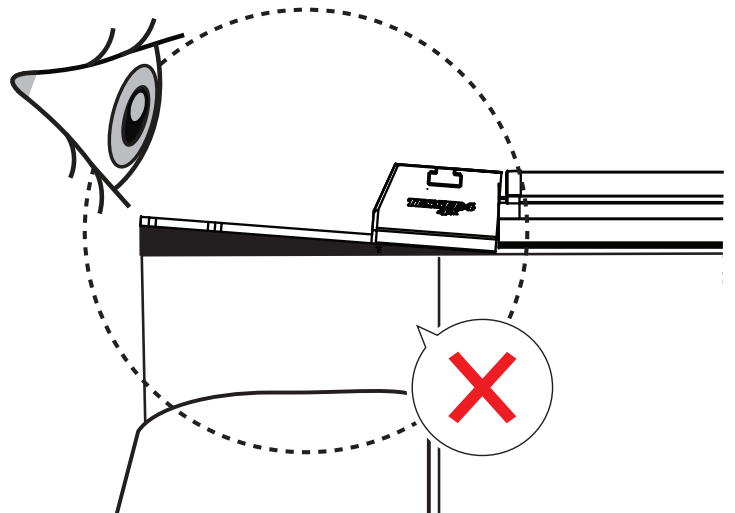
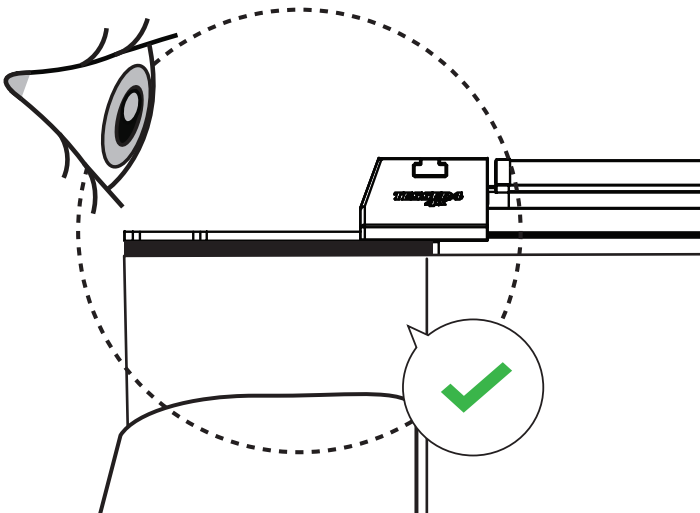
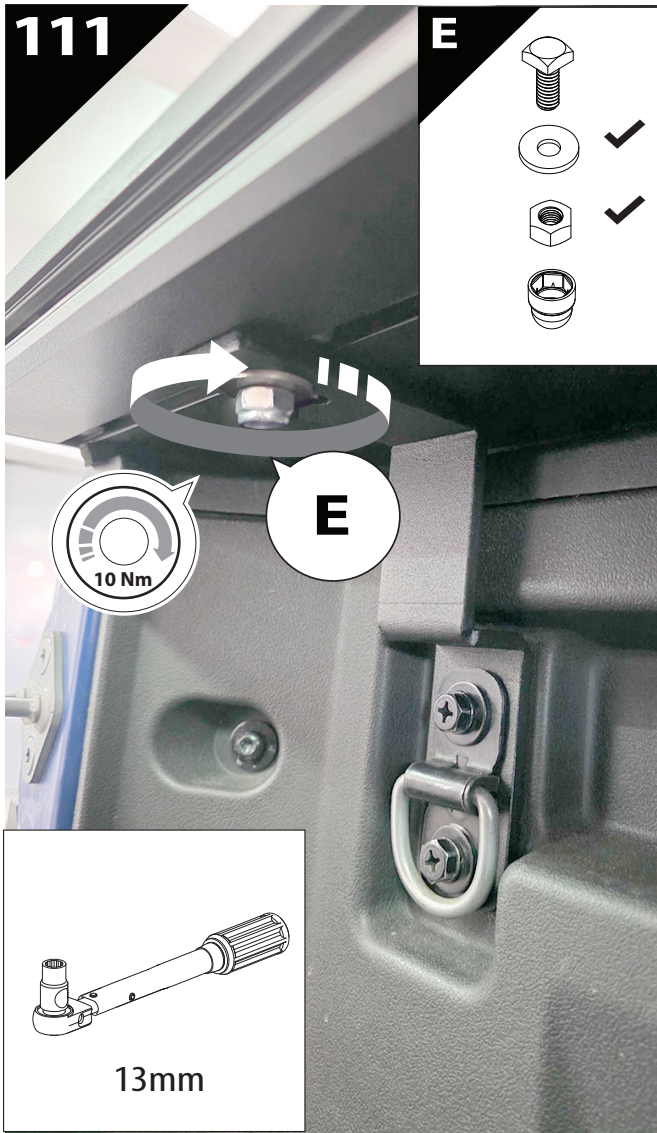


109

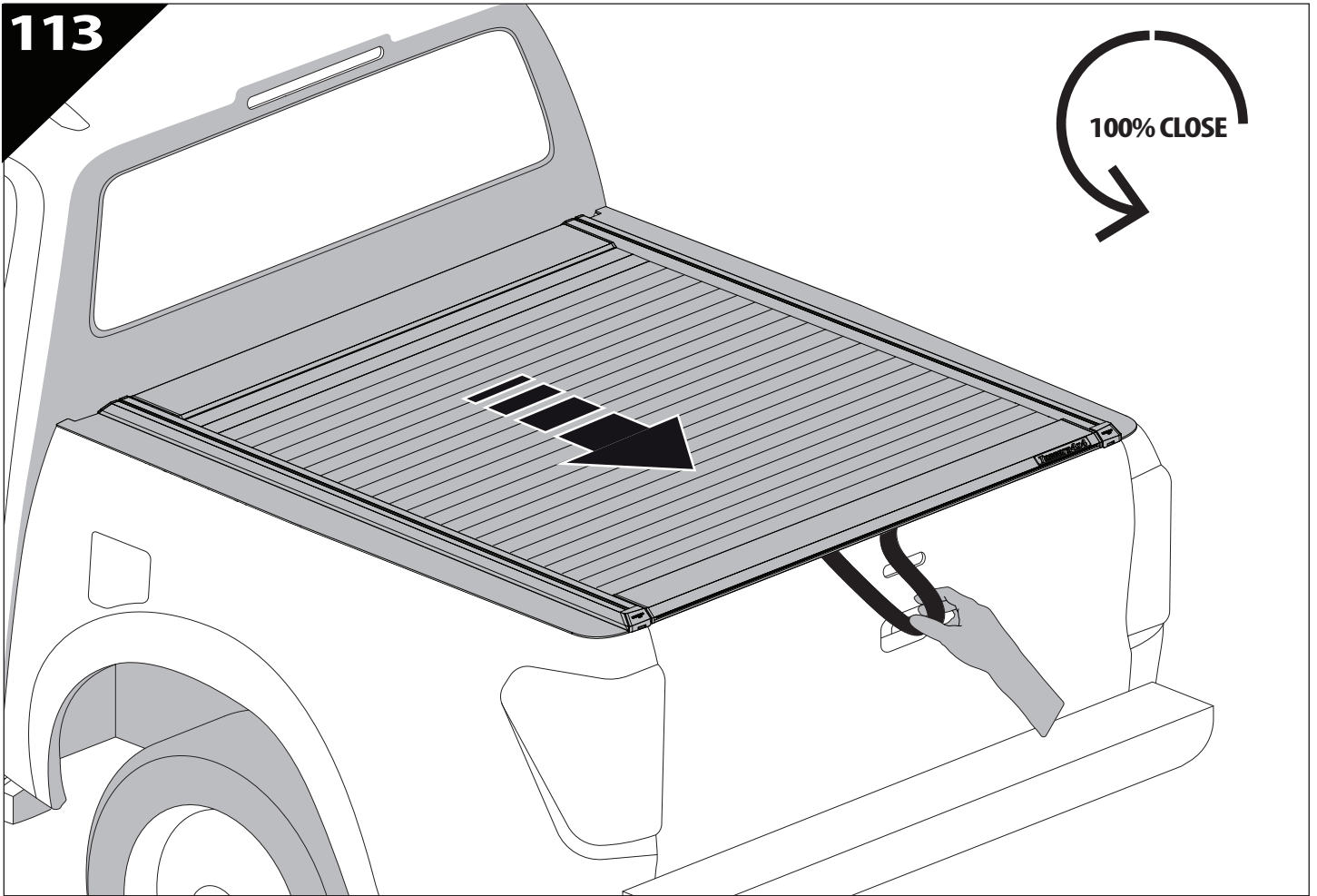


110

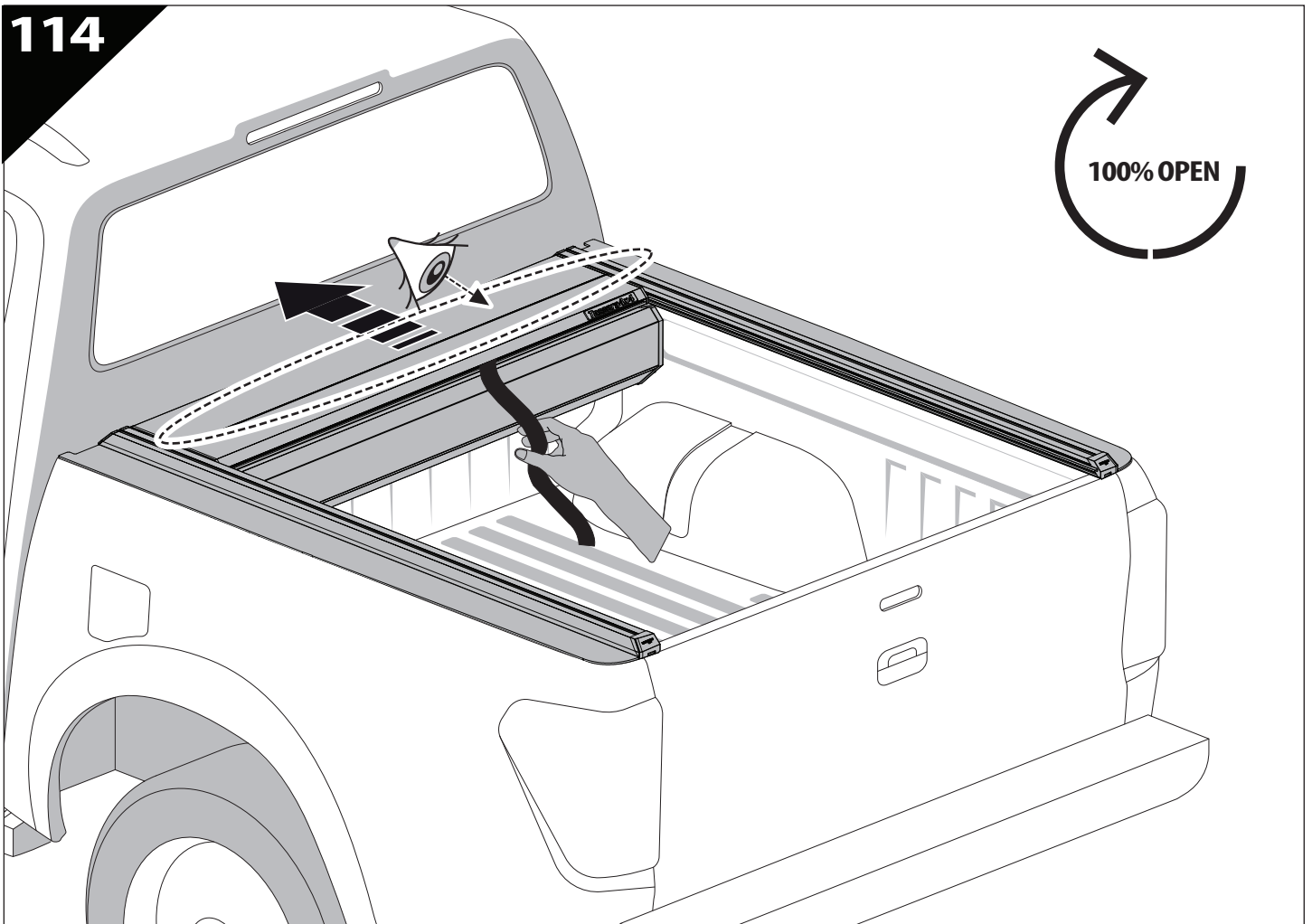




113



114





GR: Οδηγίες Εγκατάστασης
GB: Installation manual
SF: Asennusohje
F: Notice de montage
PL: Instrukcja montażu
NL: Installatie-instructies
TR: Montaj Talimatı
S: Monteringsanvisning
E: Instrucciones de montaje

H: Szerelési utasítás
P: Instruções de instalação
RUS: Инструкция по установке
N: Monteringsveiledning
D: Einbauanleitung
CZ: Návod k instalaci
I: Istruzioni de montaggio
DK: Monteringsvejledning
RO: Instructiuni de instalare

Customer Service:

+30 (210) 5541161, +30 (210) 5541154 (08:00 - 16:00 EET)

Support department:

info@gianso.gr

Website:

www.tessera4x4.com

Address:

19.5 km of National road Athens-Korinthos (Elefsina) Greece, P.C: 19200