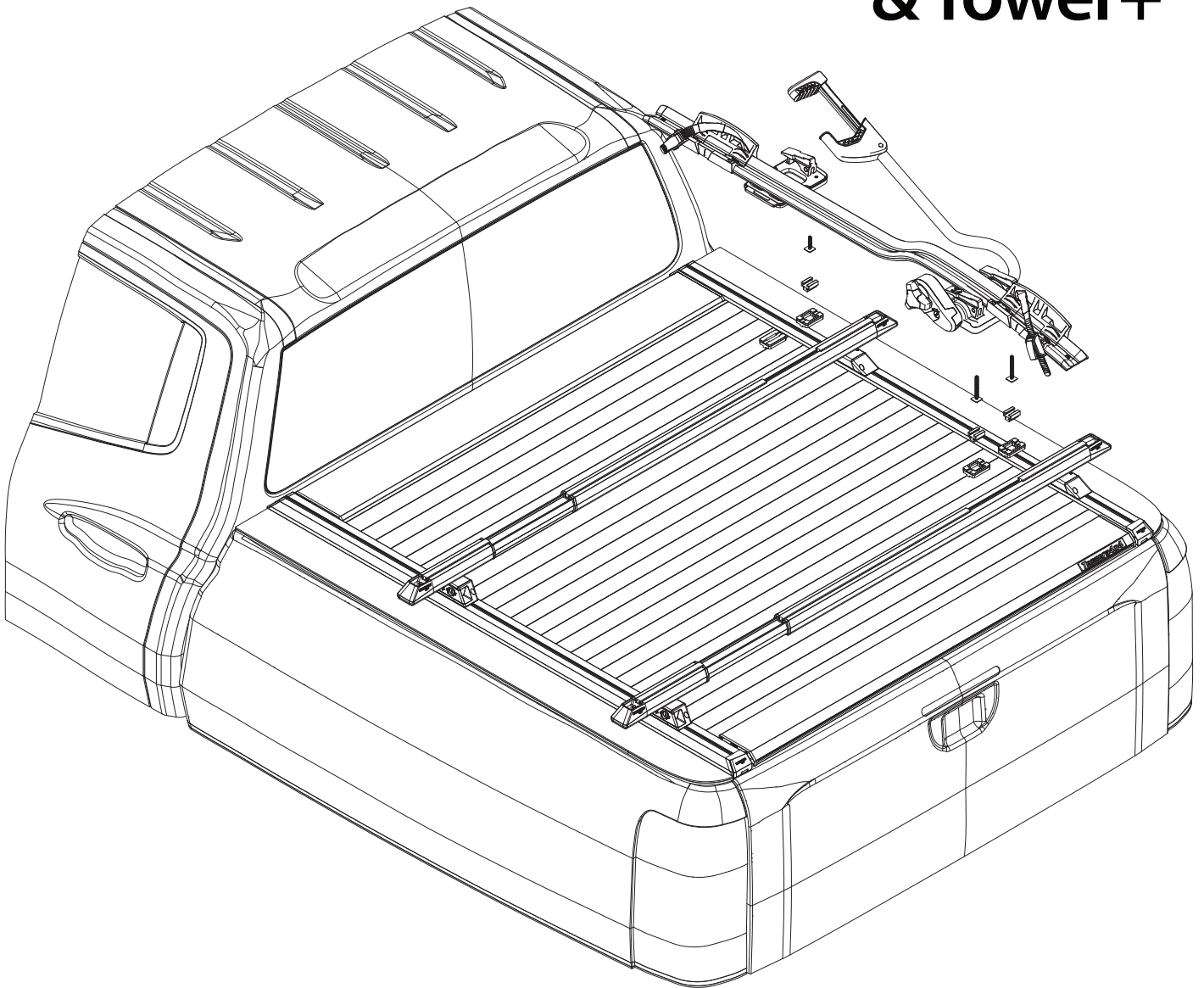


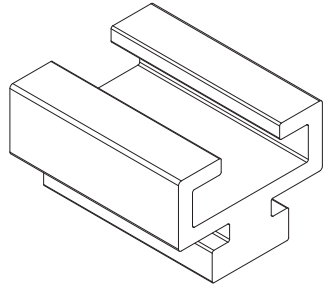
Tessera Adaptors for Tessera Bar+ & Tower+



Installation Manual

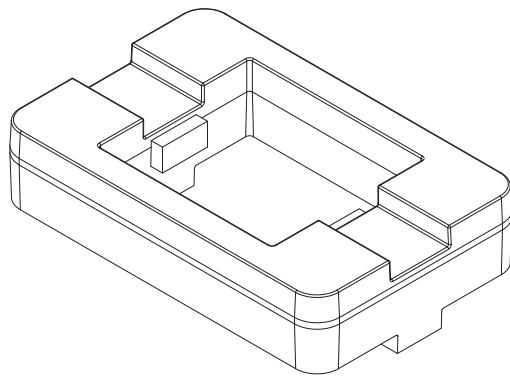
PART NUMBER(S)

BAR 100 ADAPT

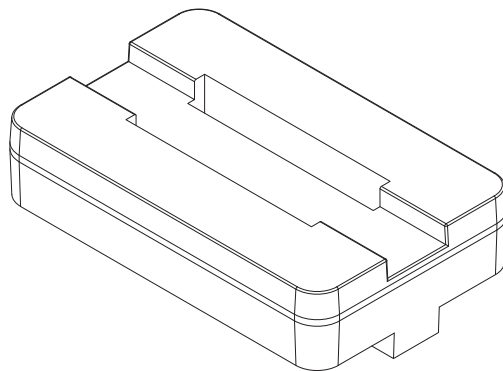


x4

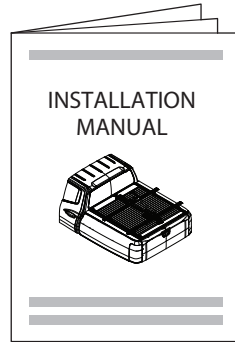
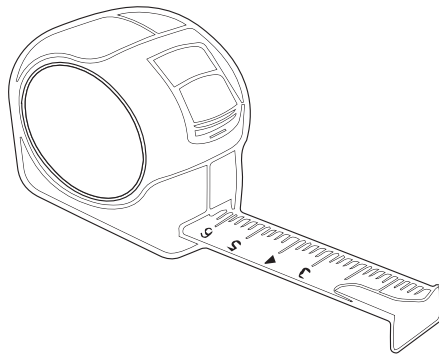
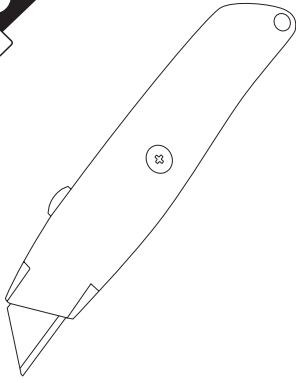
A



x4



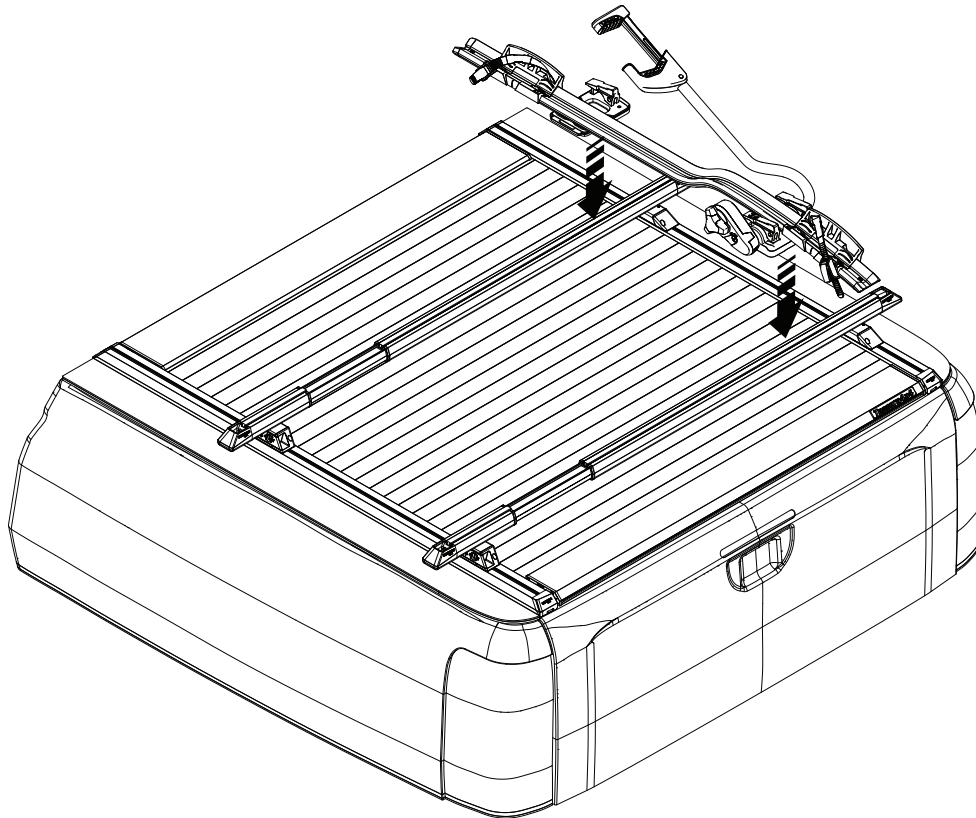
x2



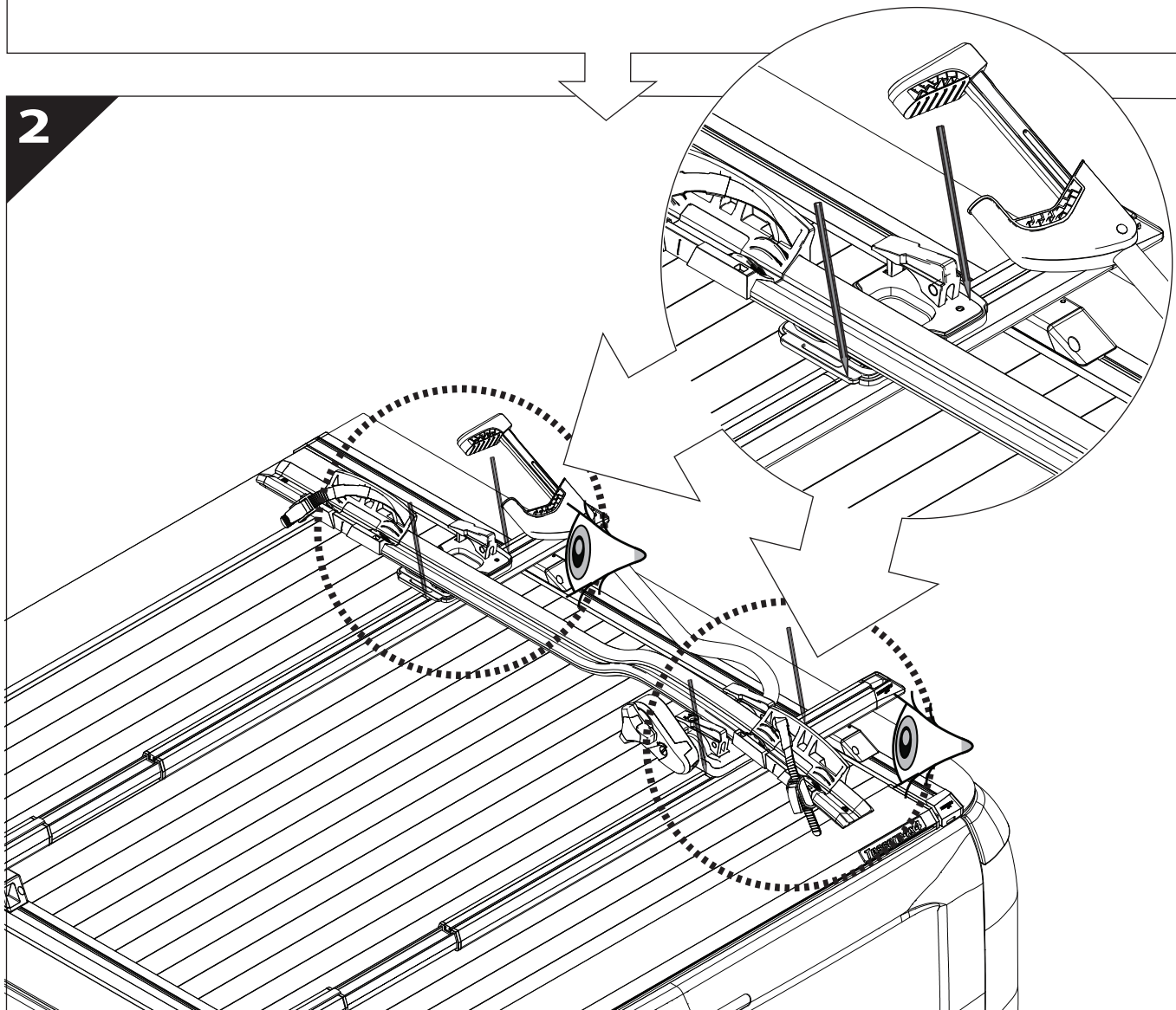


CAUTION: THE FOLLOWING STEPS ARE PROVIDED AS A REFERENCE EXAMPLE. ADJUST THE INSTALLATION PROCEDURE ACCORDINGLY BASED ON THE SPECIFIC ACCESSORY.

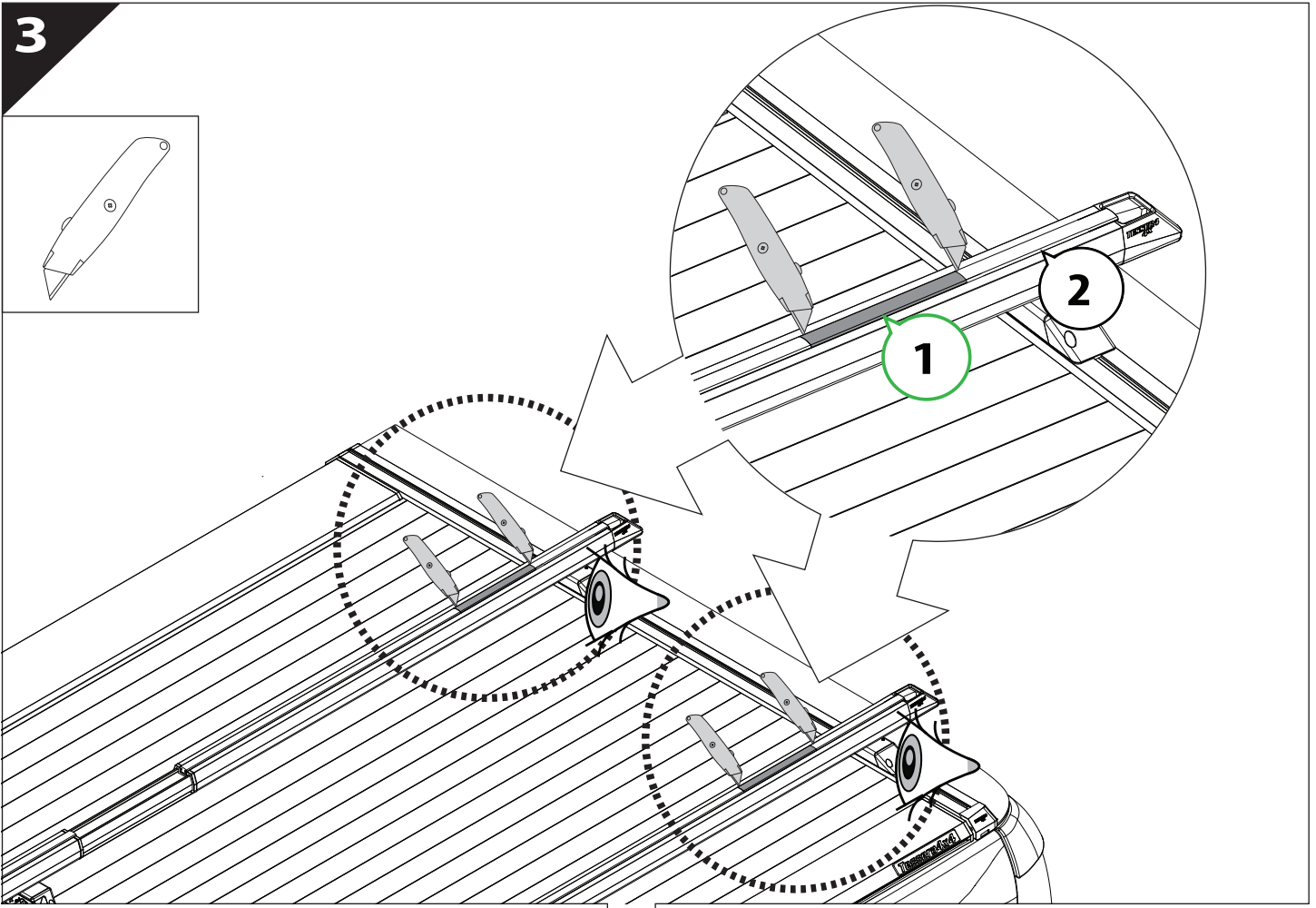
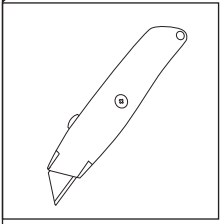
1



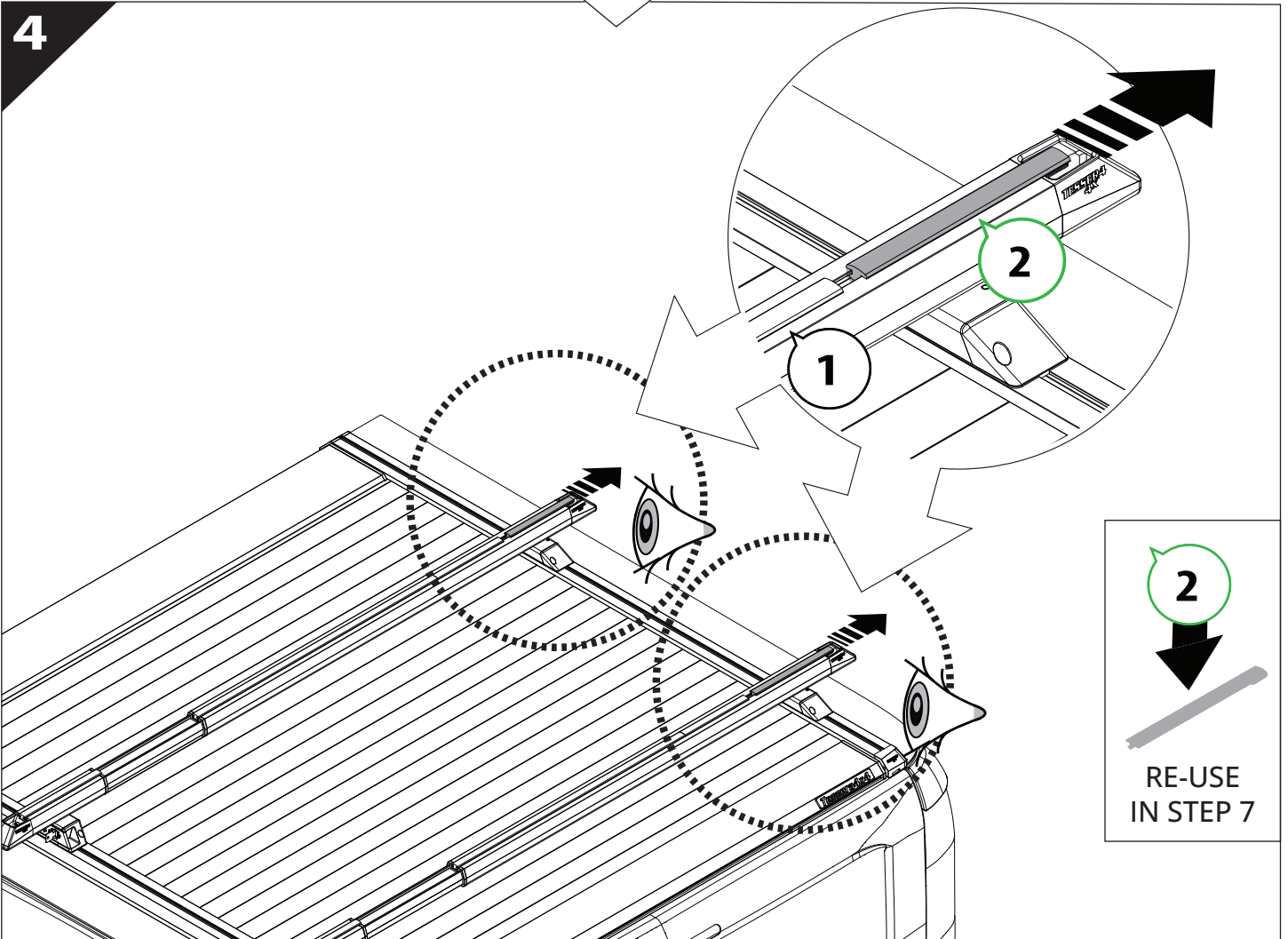
2

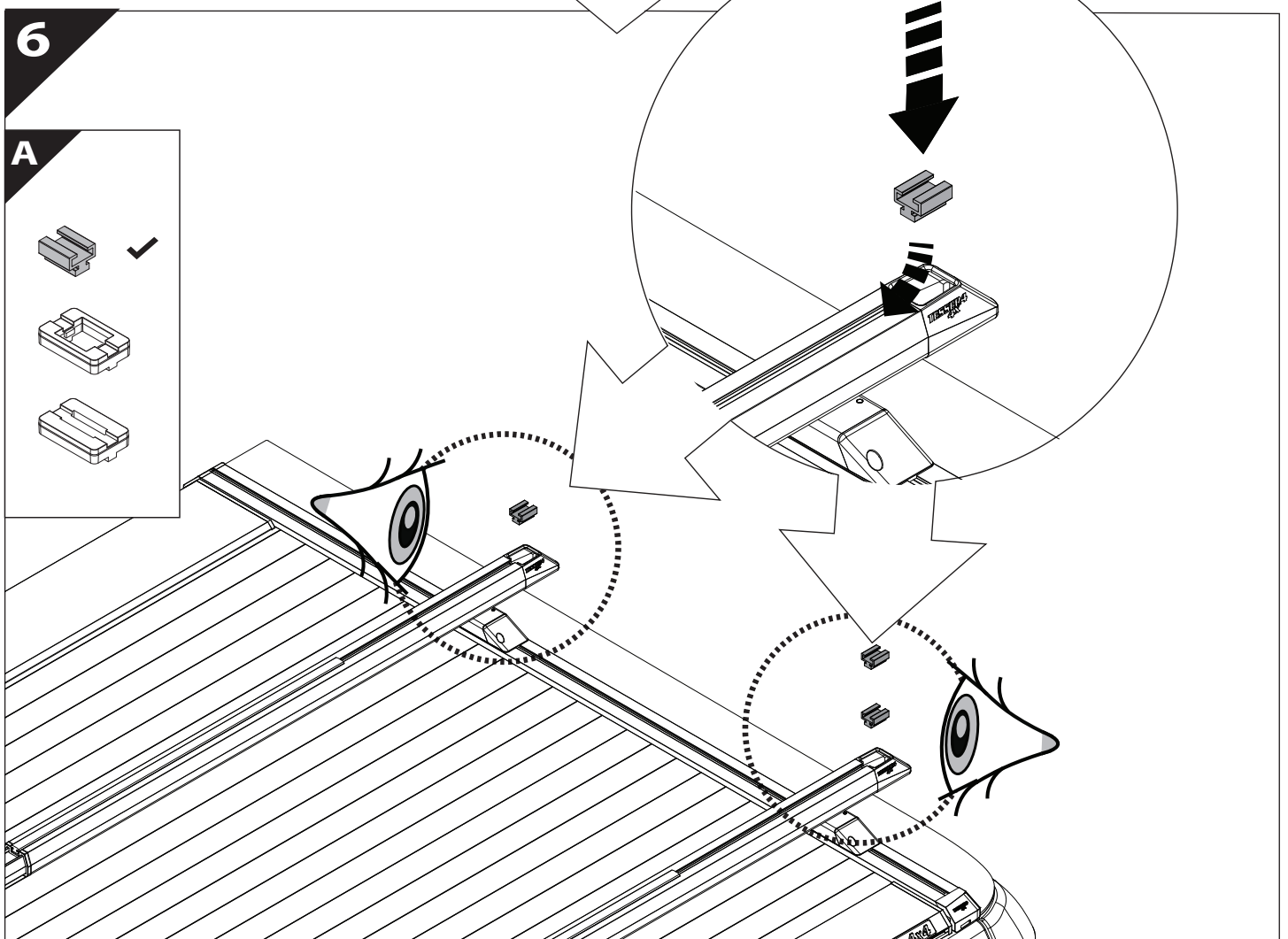
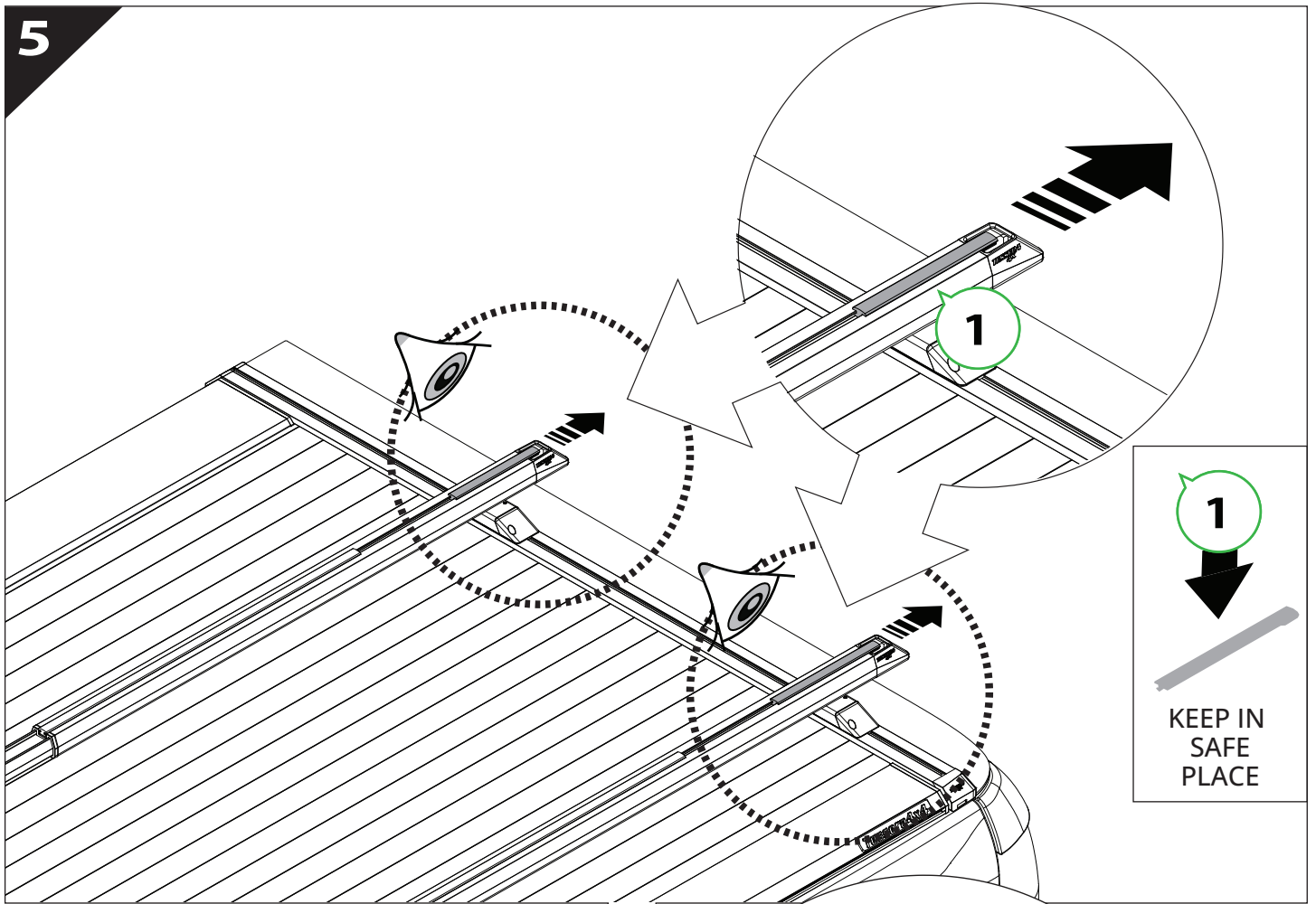


3

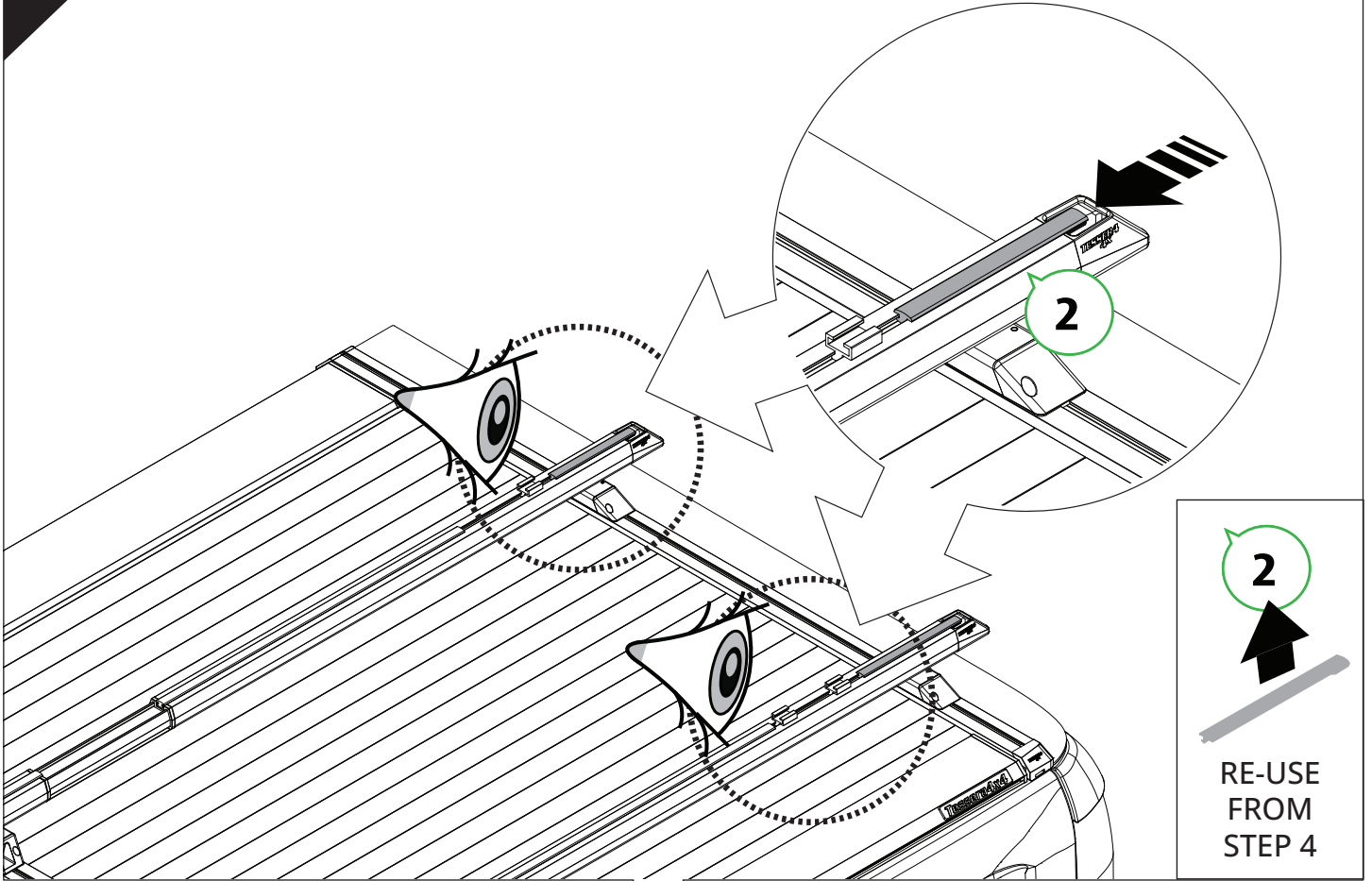


4

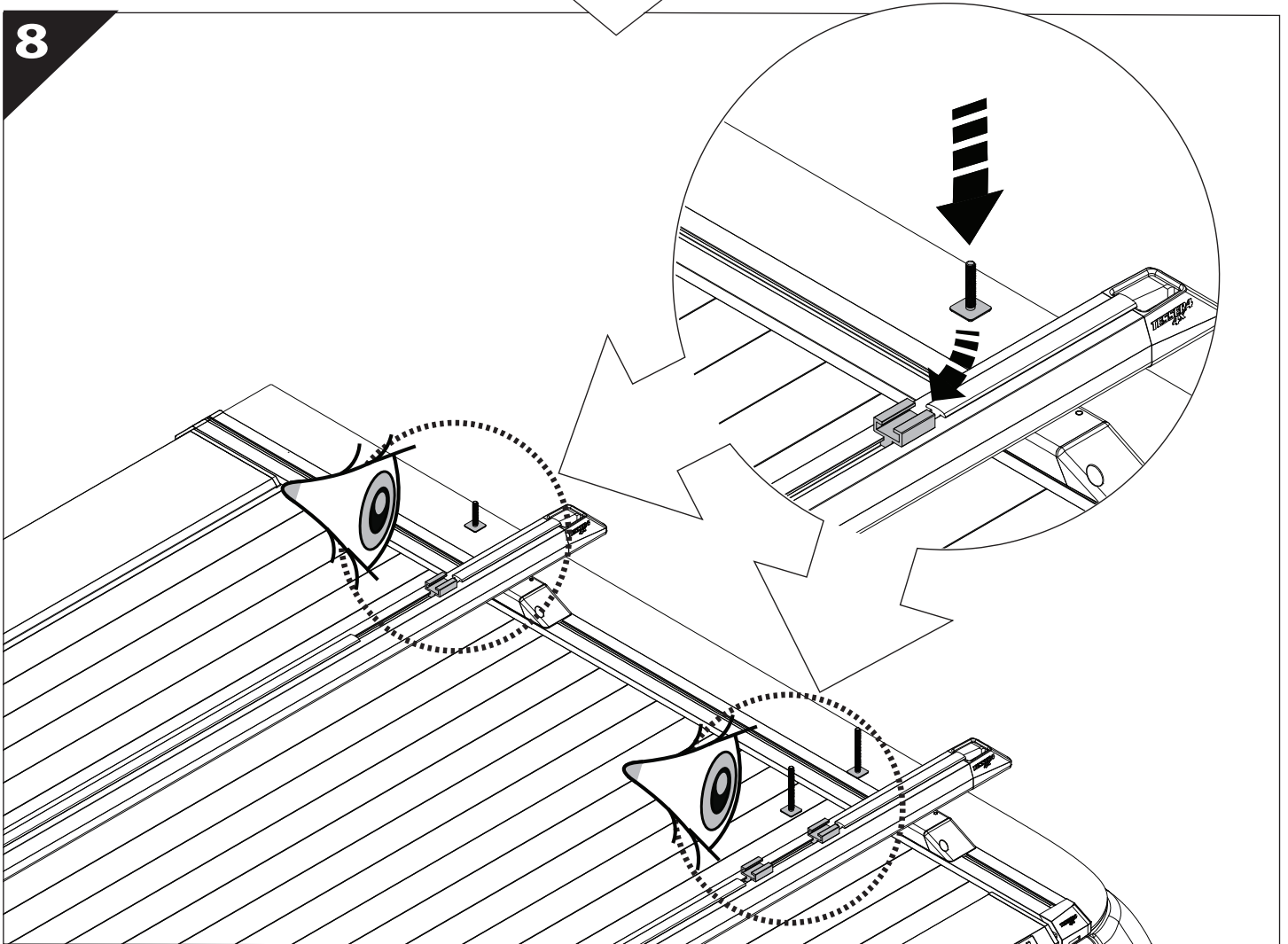




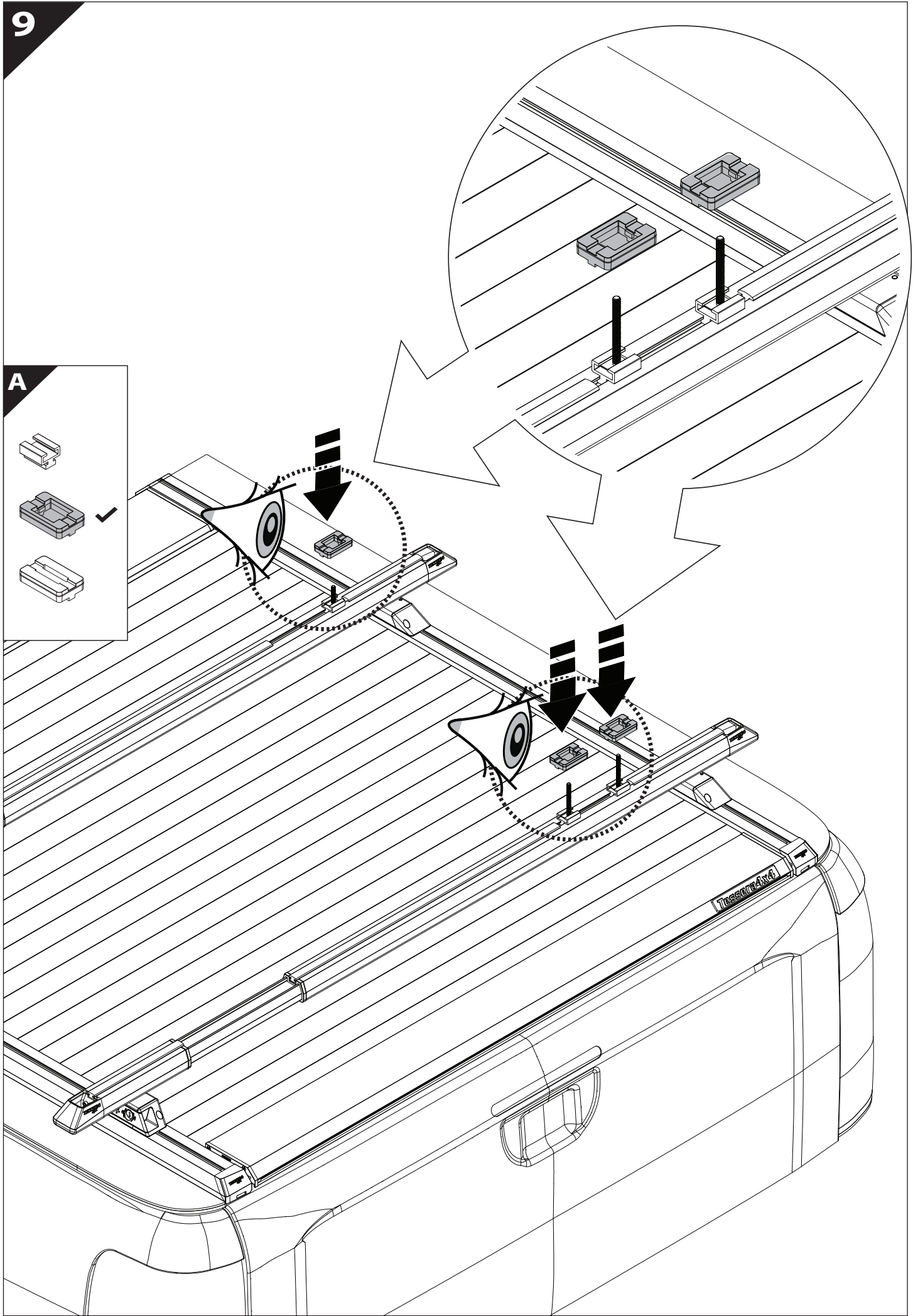
7



8

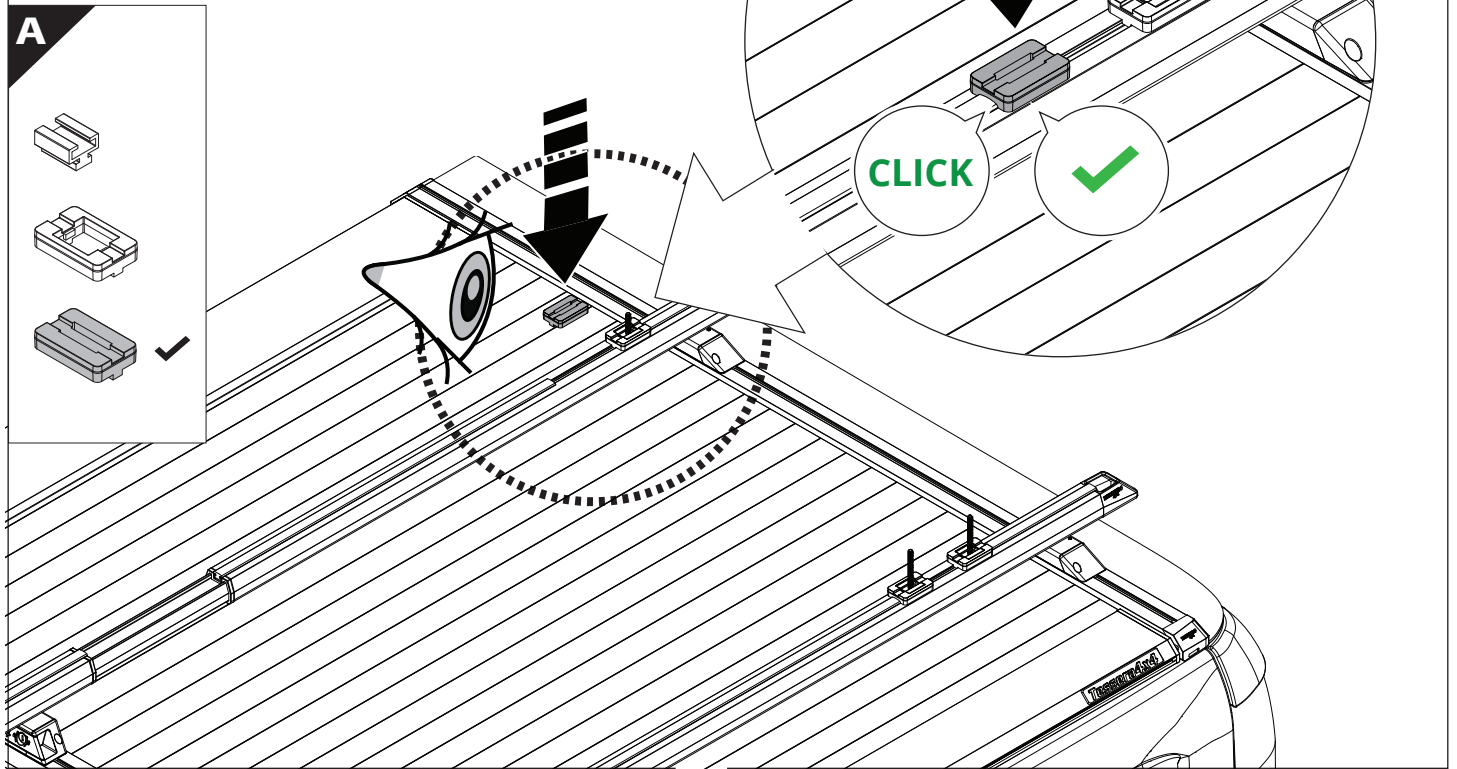


A

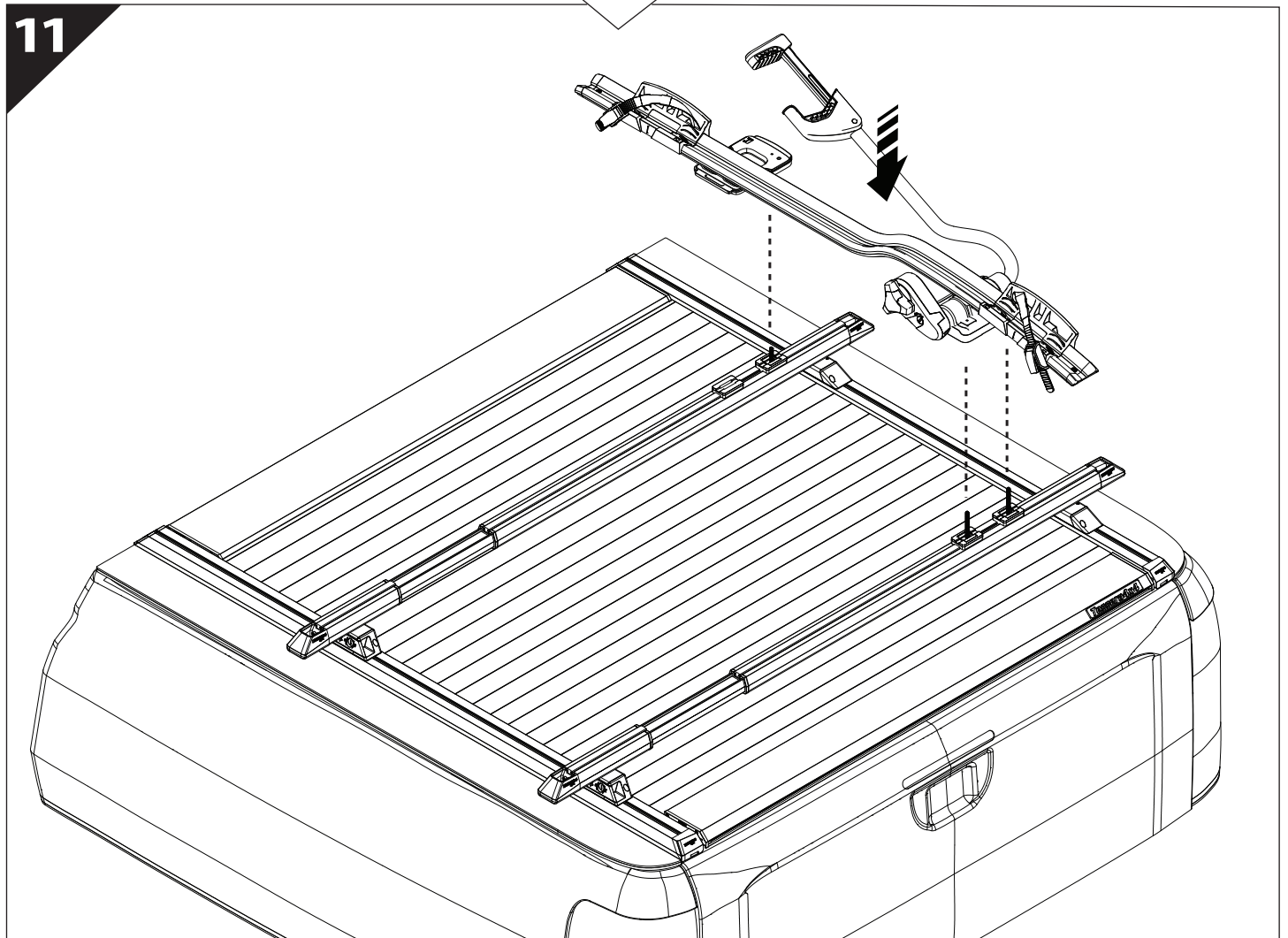


10

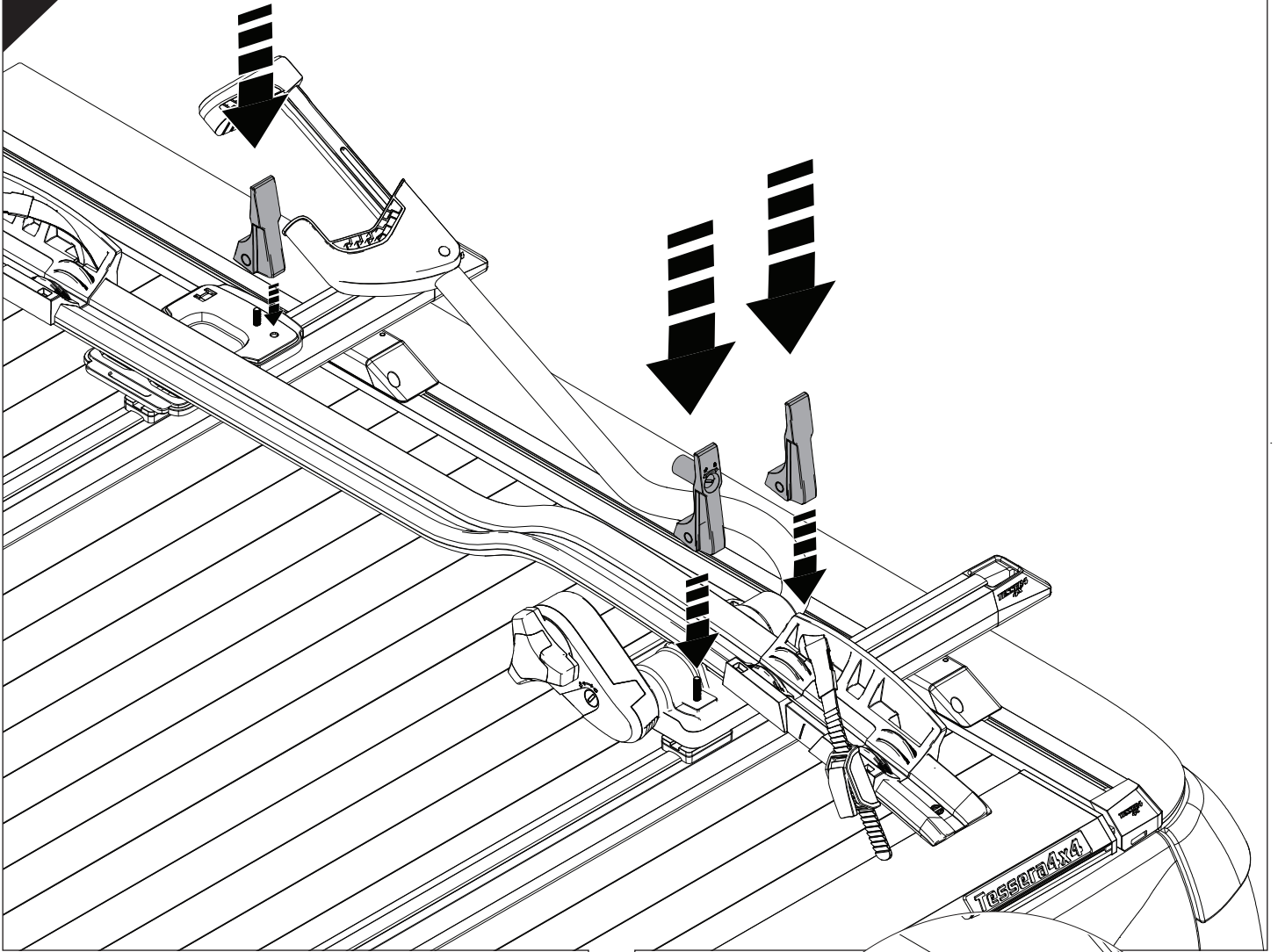
A



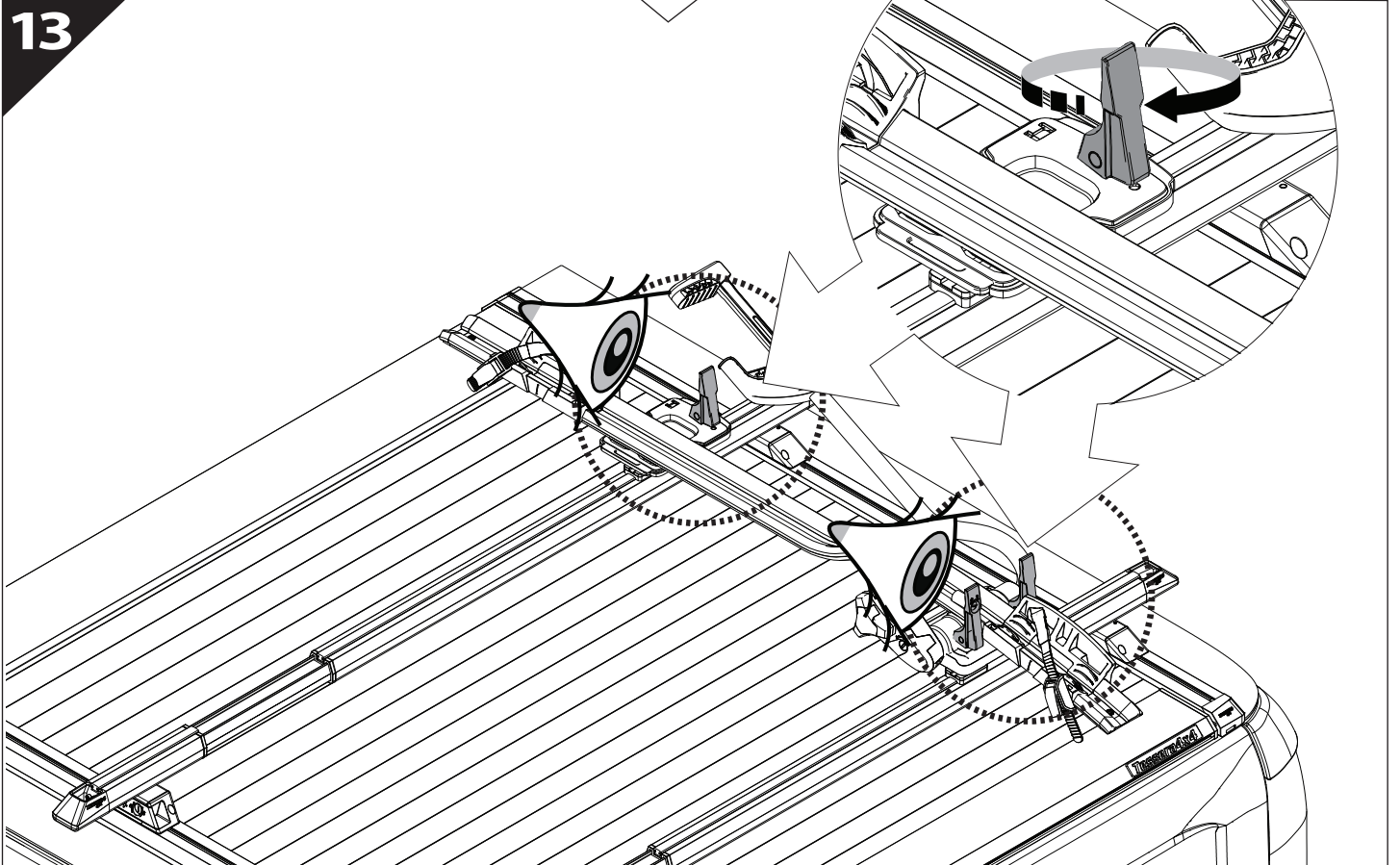
11



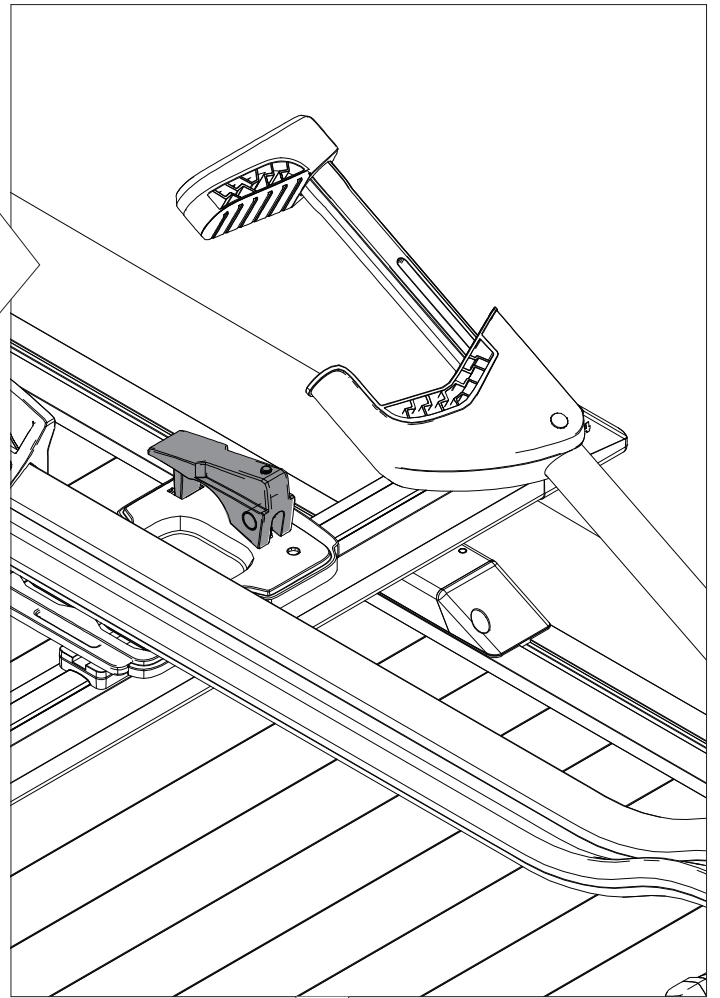
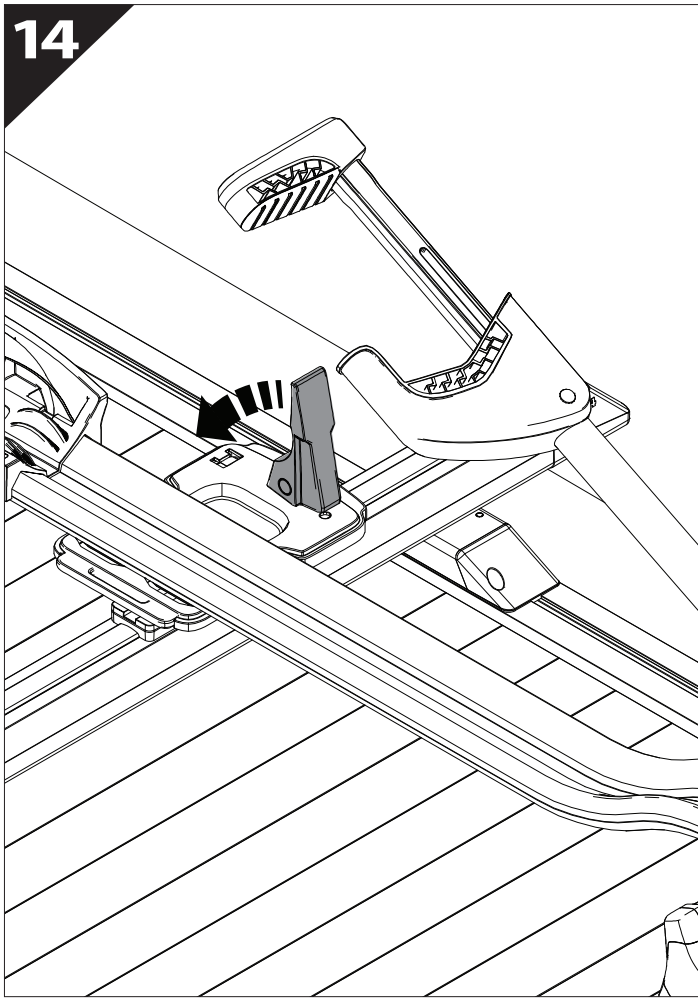
12



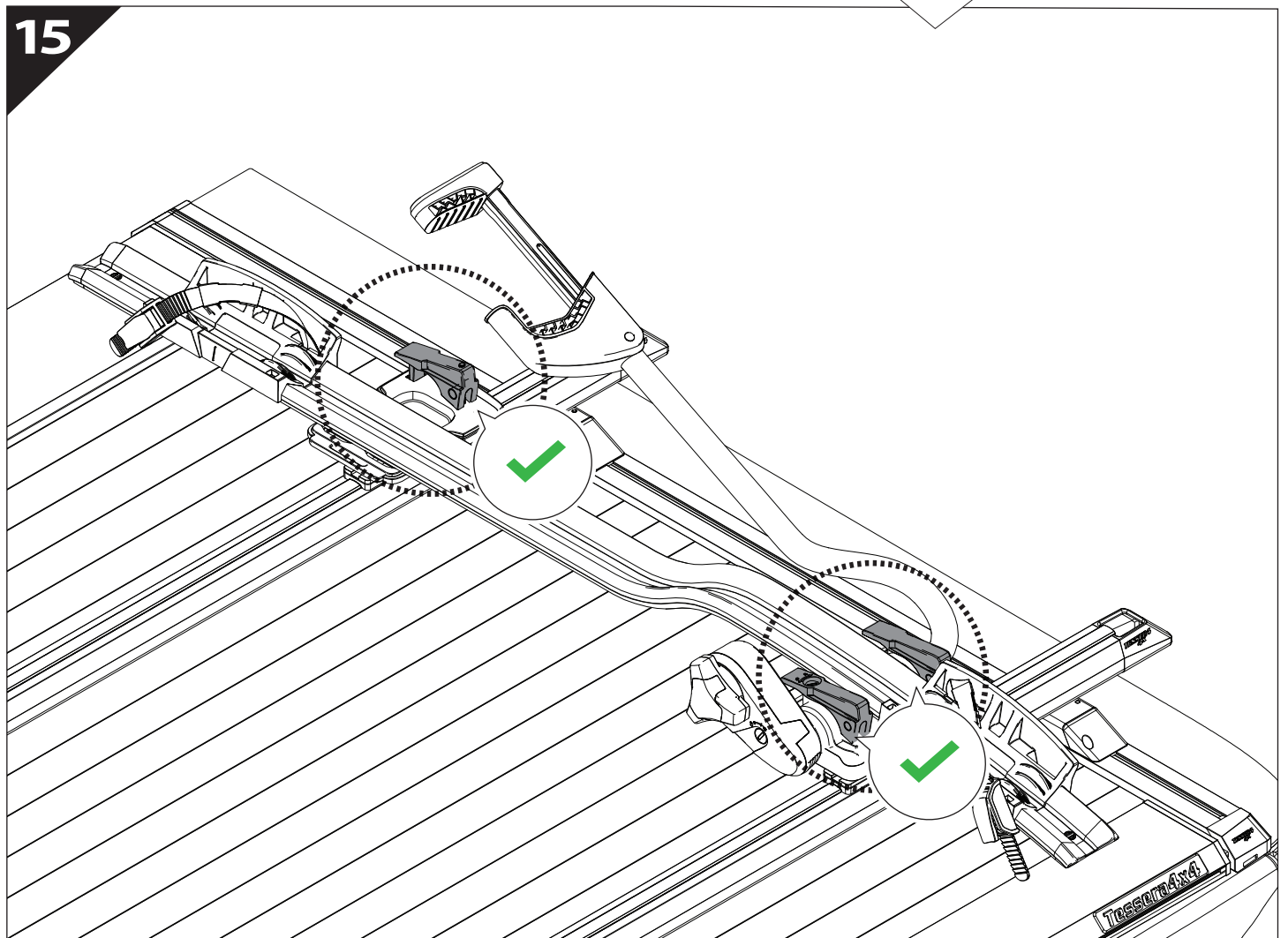
13



14



15





GR: Οδηγίες Εγκατάστασης
GB: Installation manual
SF: Asennusohje
F: Notice de montage
PL: Instrukcja montażu
NL: Installatie-instructies
TR: Montaj Talimatı
S: Monteringsanvisning
E: Instrucciones de montaje

H: Szerelési utasítás
P: Instruções de instalação
RUS: Инструкция по установке
N: Monteringsveiledning
D: Einbauanleitung
CZ: Návod k instalaci
I: Istruzioni de montaggio
DK: Monteringsvejledning
RO: Instructiuni de instalare

Customer Service:

+30 (210) 5541161, +30 (210) 5541154 (08:00 - 16:00 EET)

Support department:

info@gianso.gr

Website:

www.tessera4x4.com

Address:

19.5 km of National road Athens-Korinthos (Elefsina) Greece, P.C: 19200