
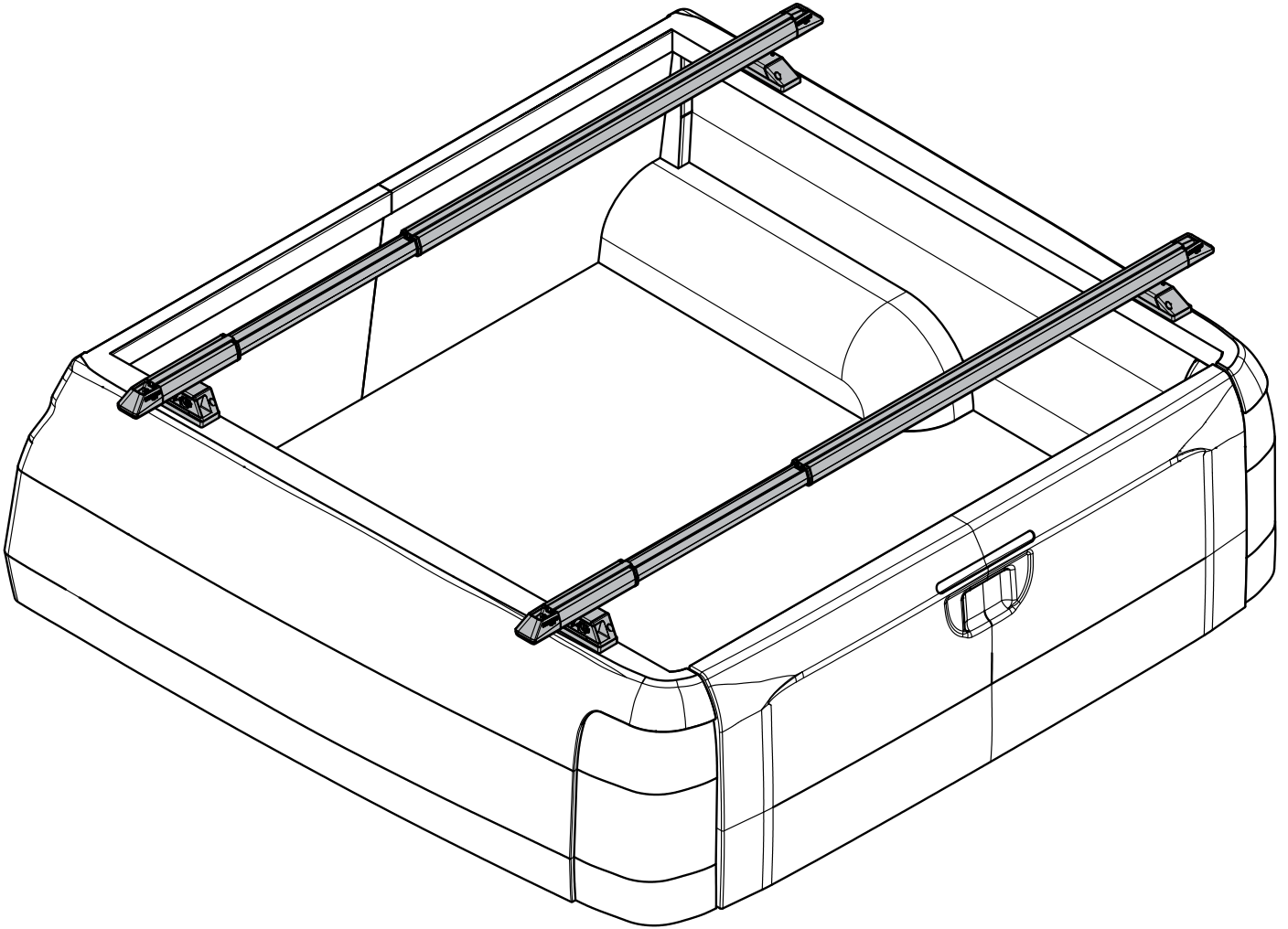


Tessera Bar+

 **BAR 101 DRILL**

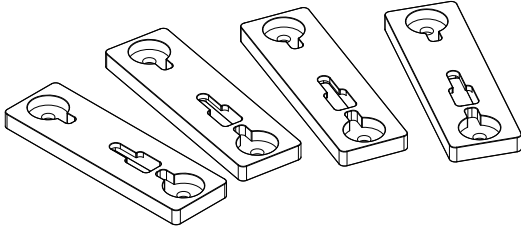
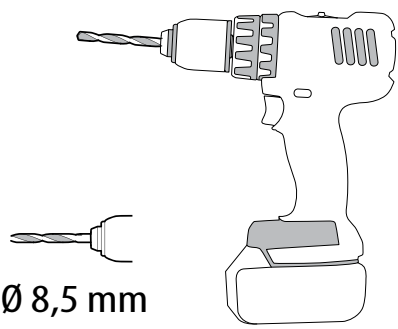
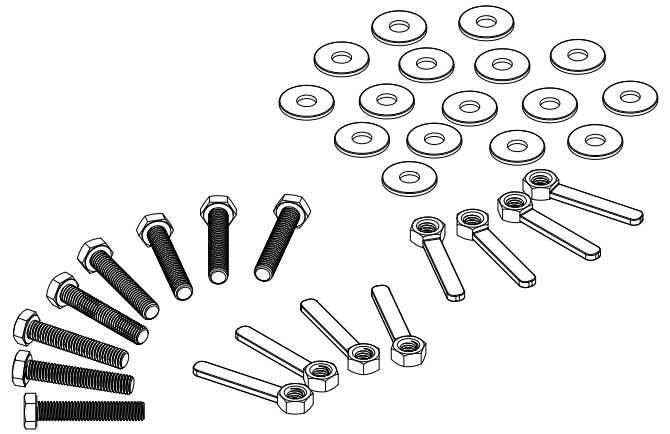


PART NUMBER(S)

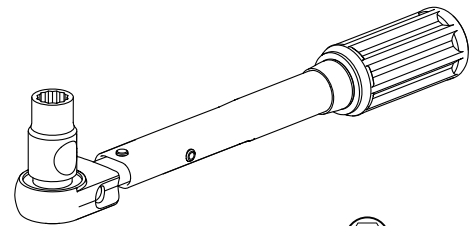
BAR 101 DRILL

Installation Time

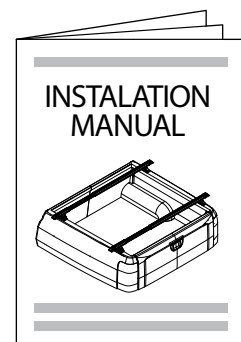
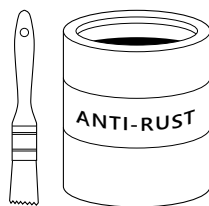
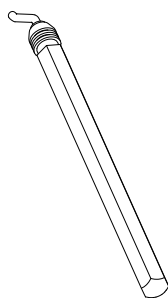
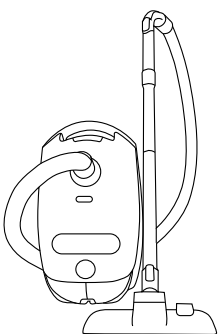
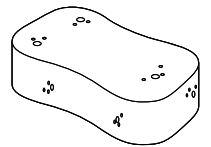
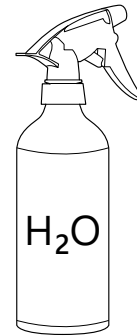
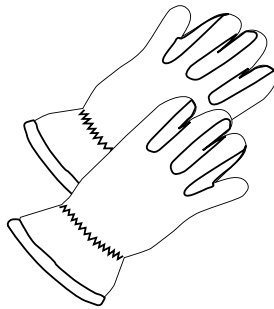
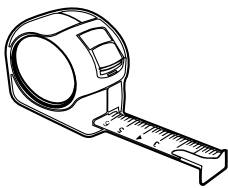
10 - 20 minutes

A**B**

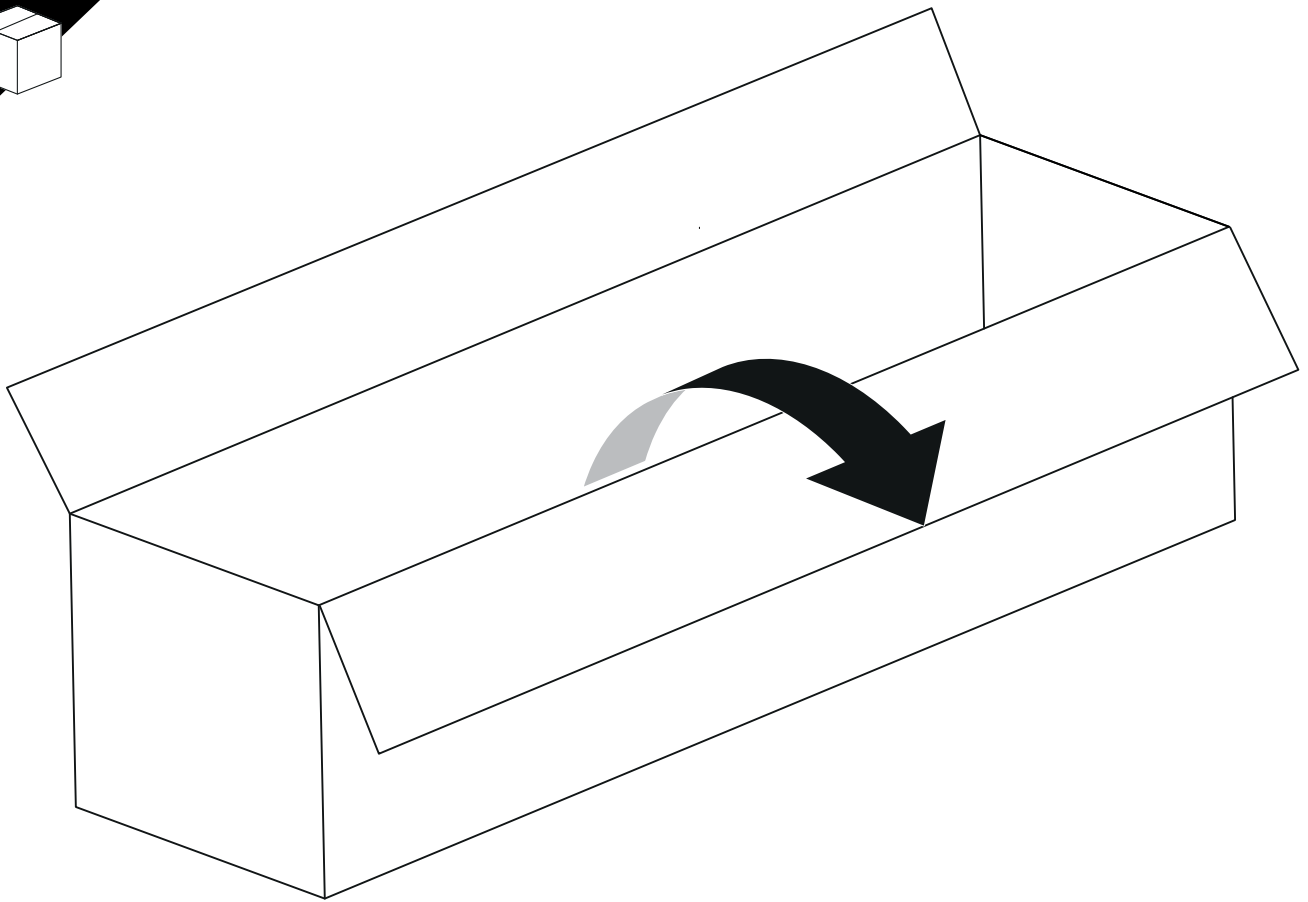
1 - 25 Nm



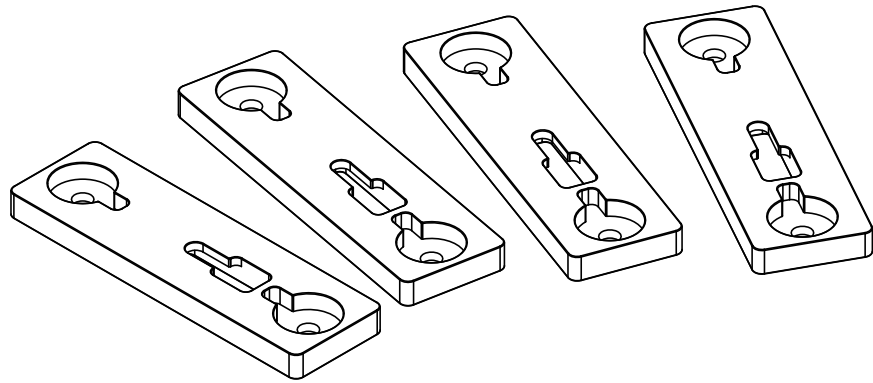
13 mm



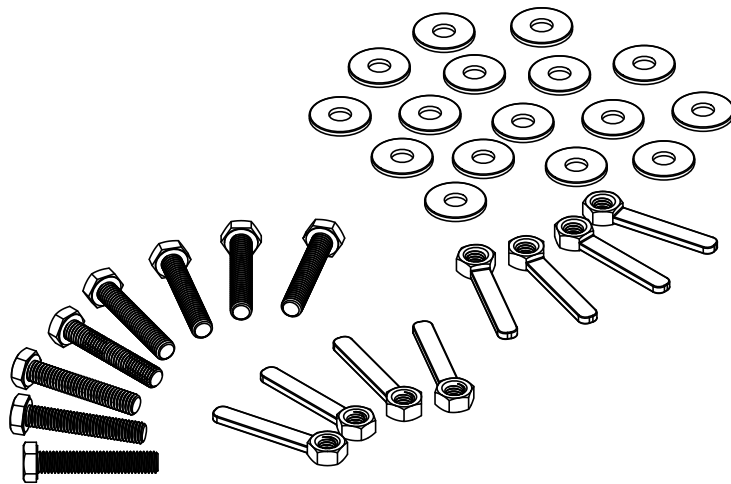
x1



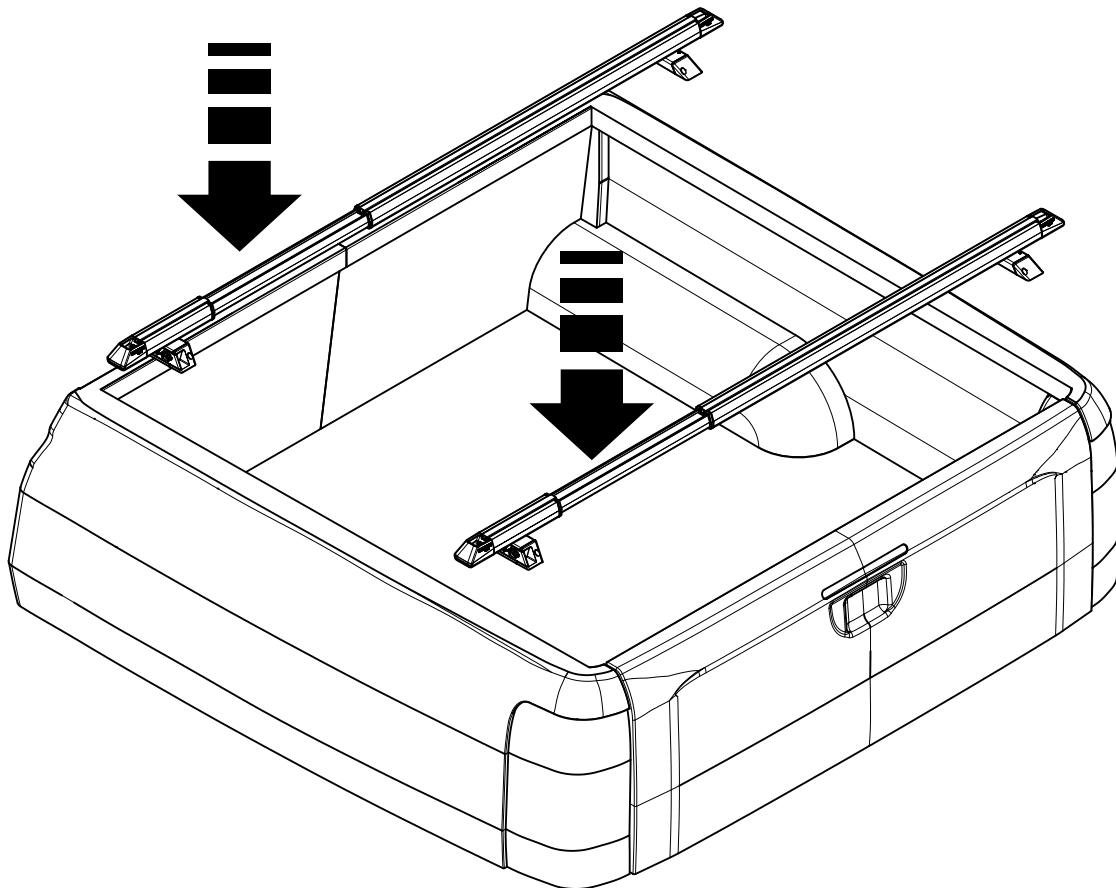
A



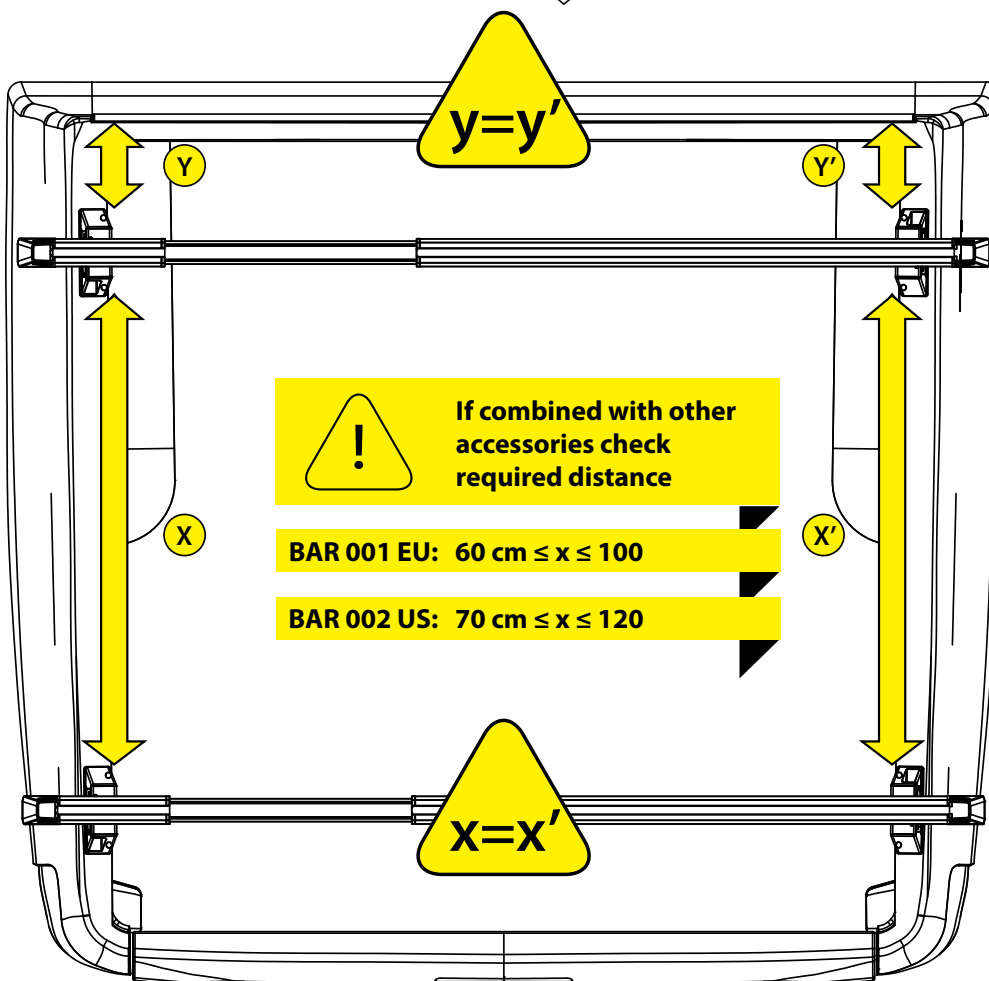
B



1



2



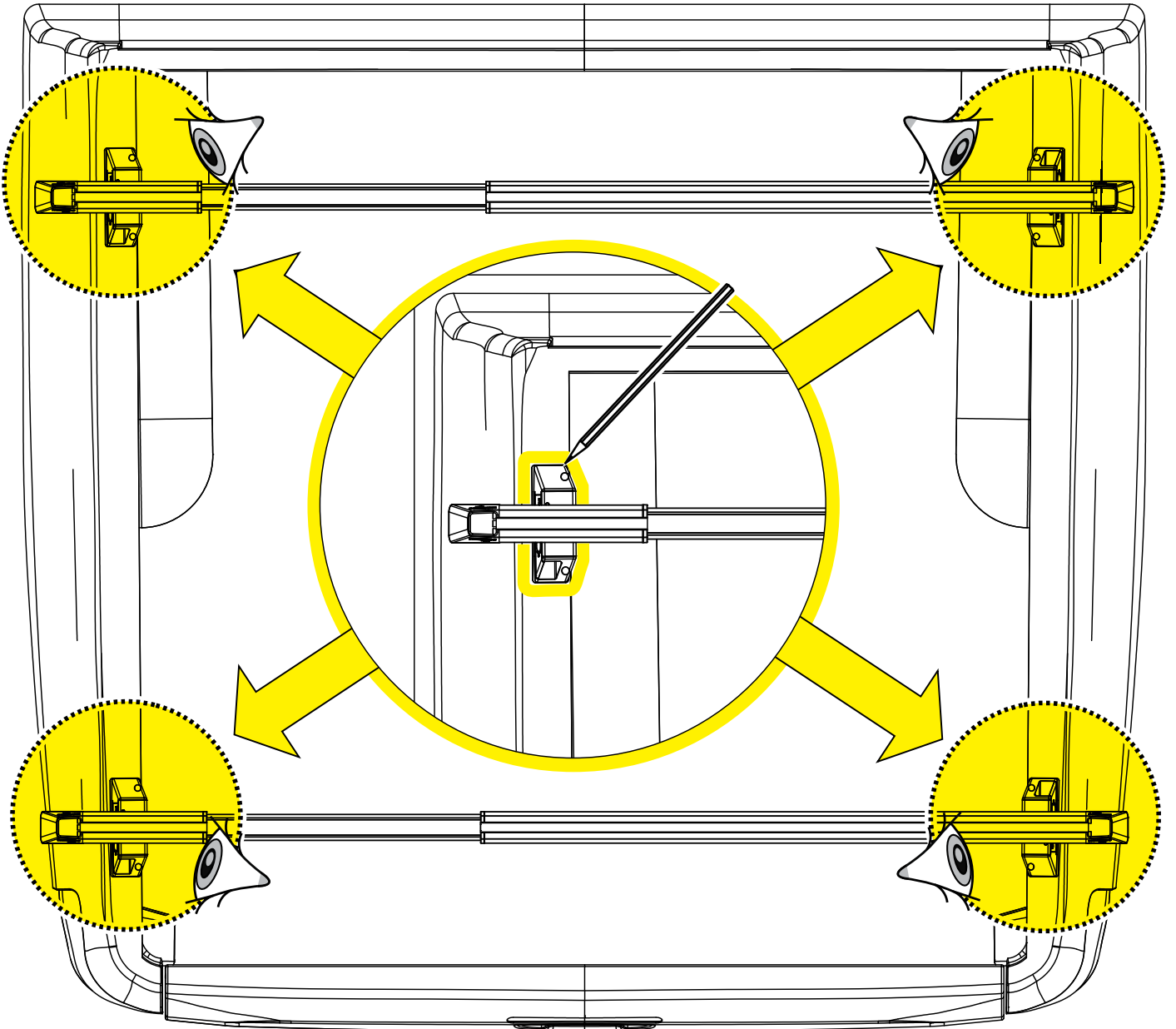
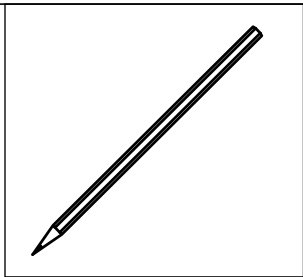
If combined with other accessories check required distance

BAR 001 EU: $60 \text{ cm} \leq x \leq 100$

BAR 002 US: $70 \text{ cm} \leq x \leq 120$

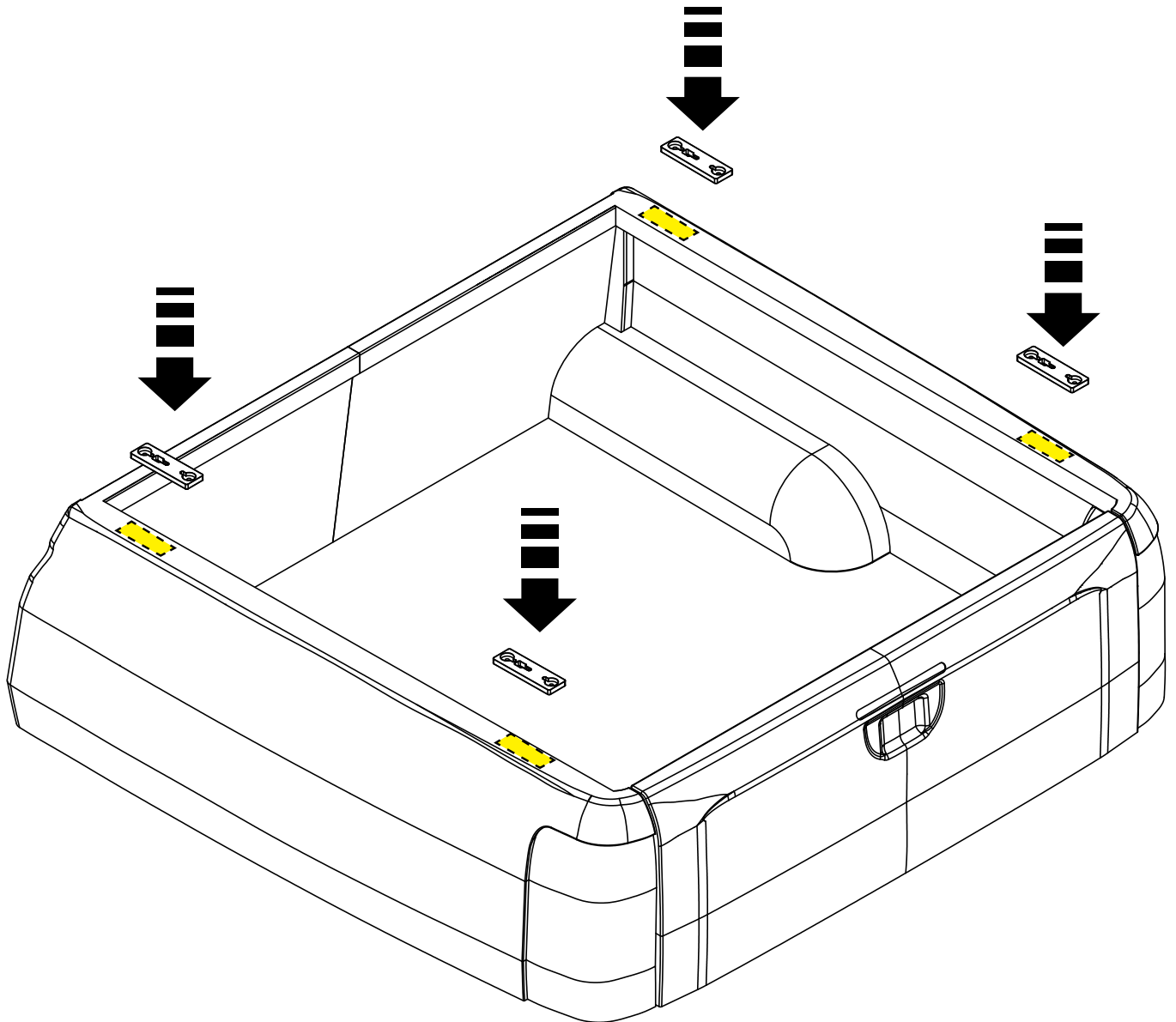
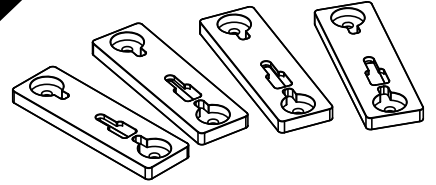
$x = x'$

3

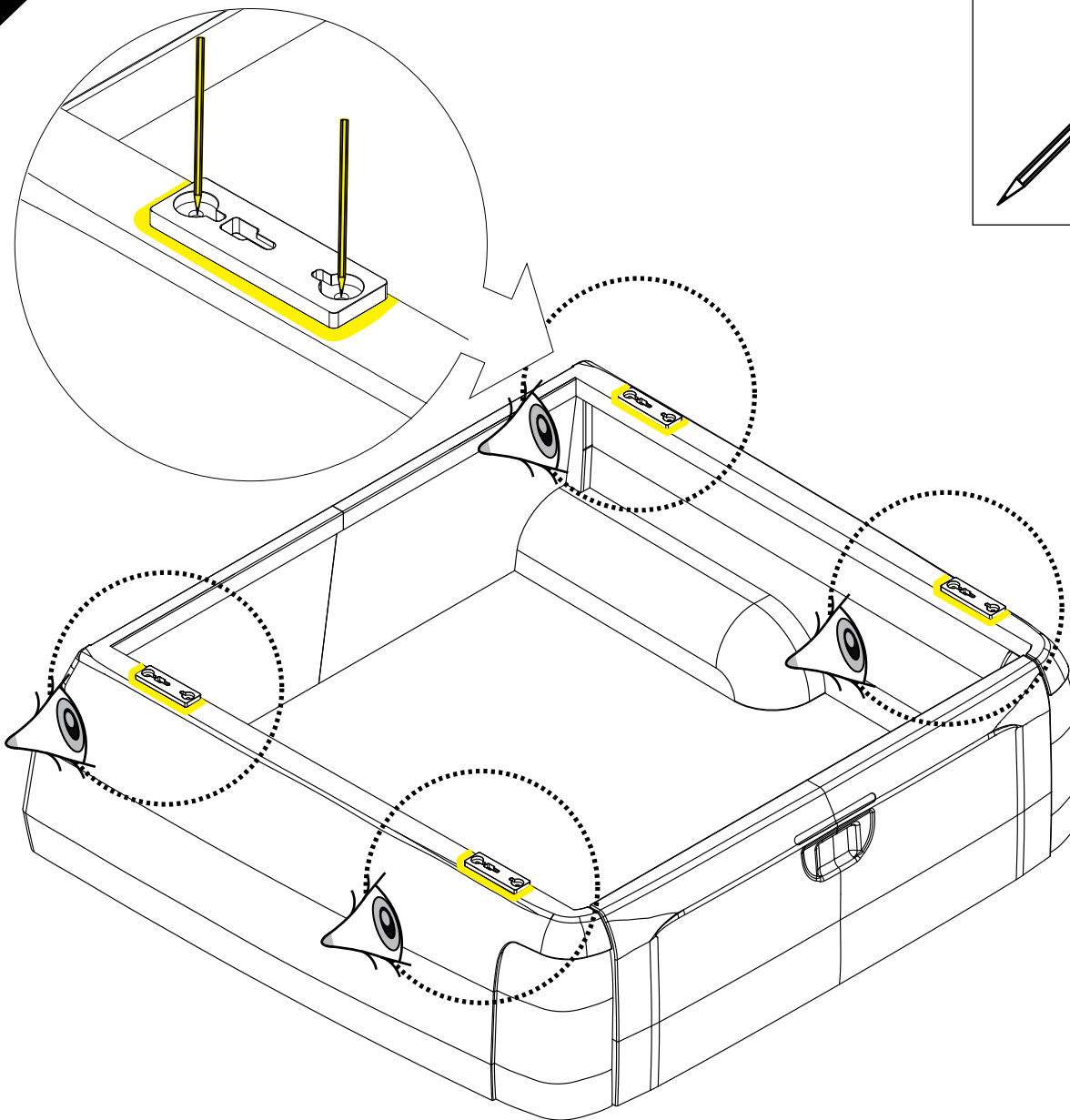


4

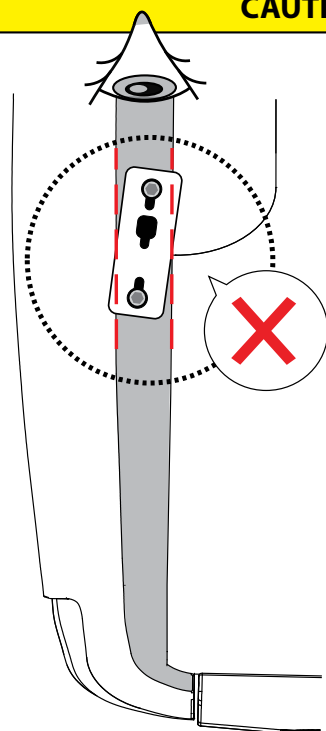
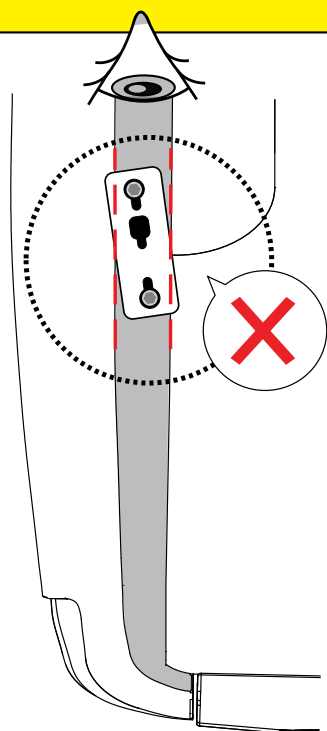
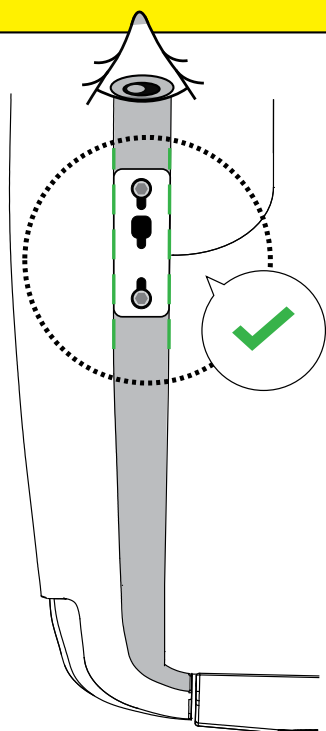
A

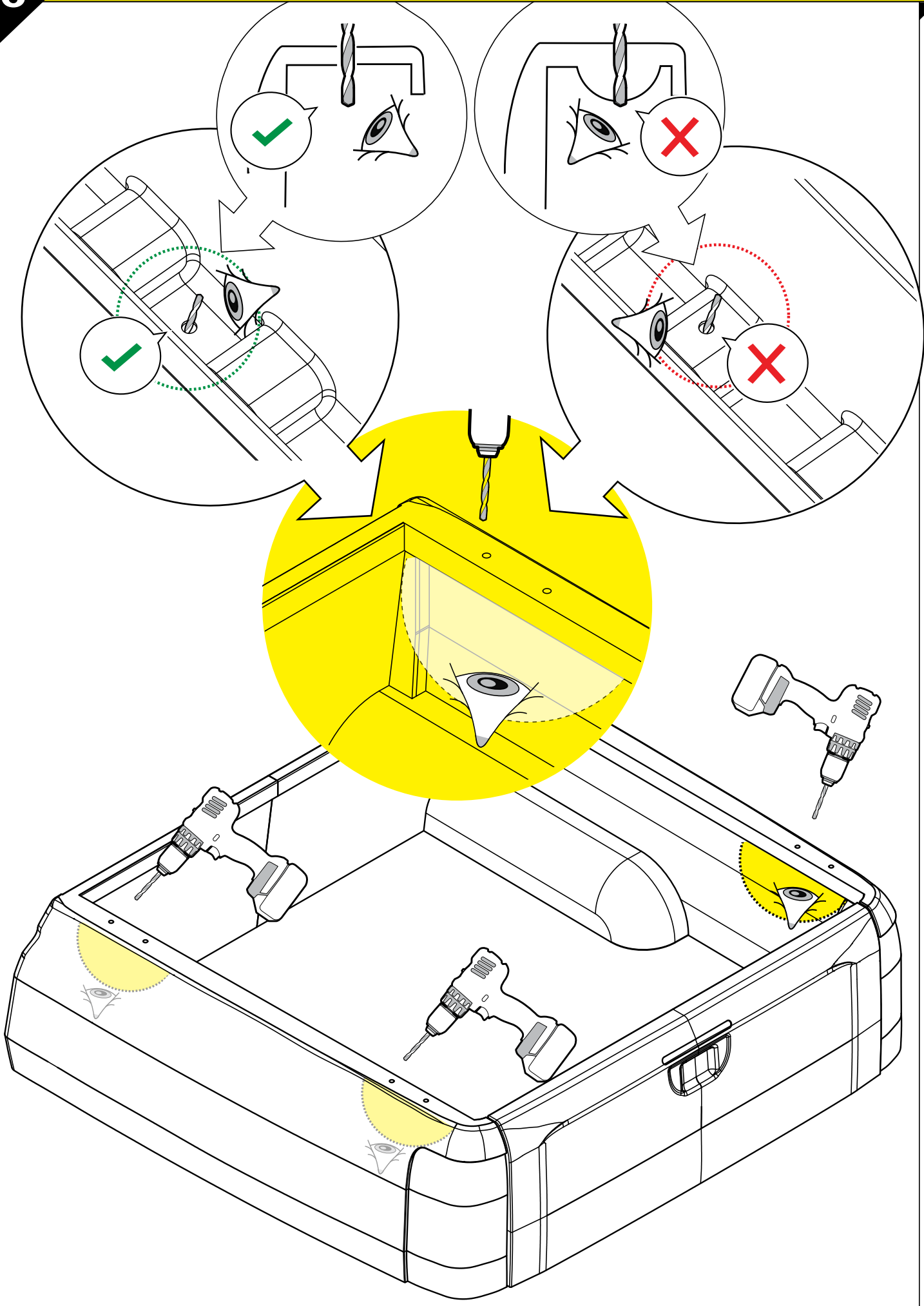


5



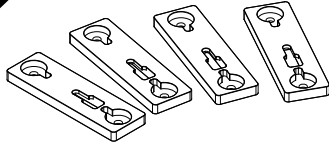
CAUTION



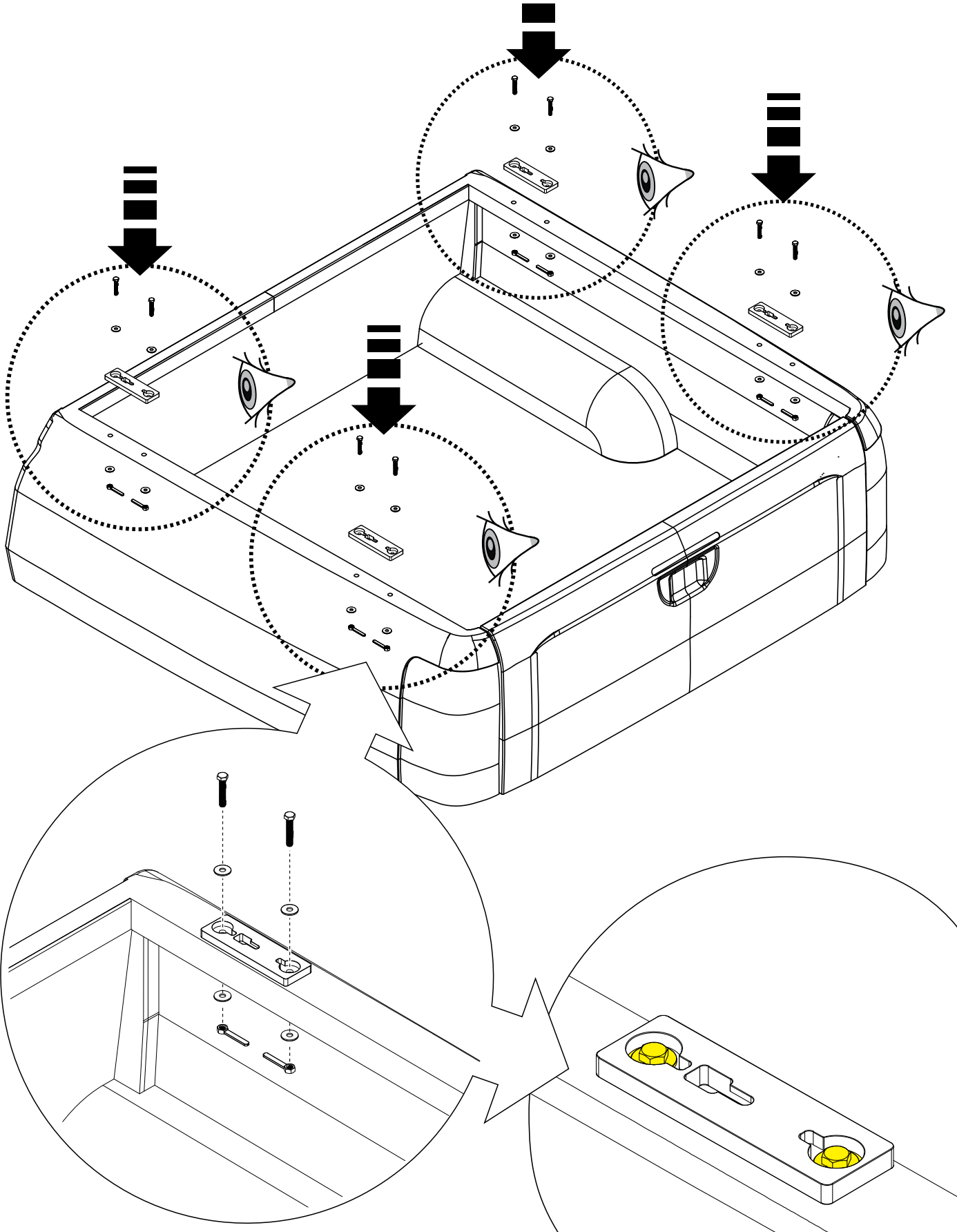
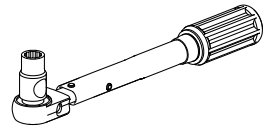
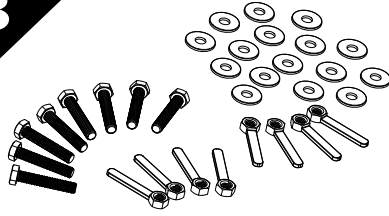


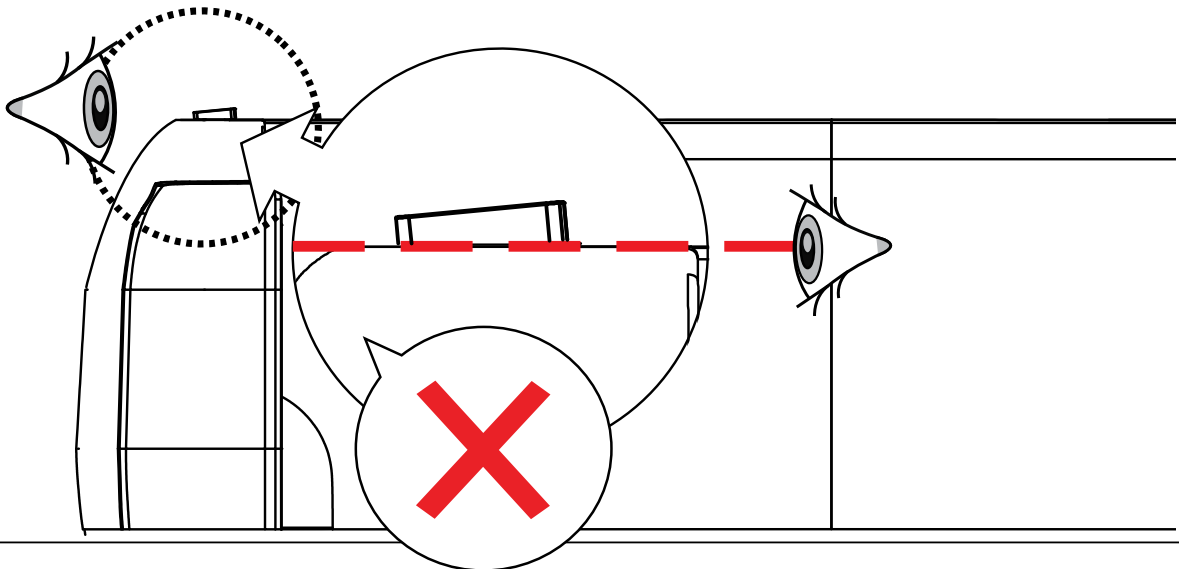
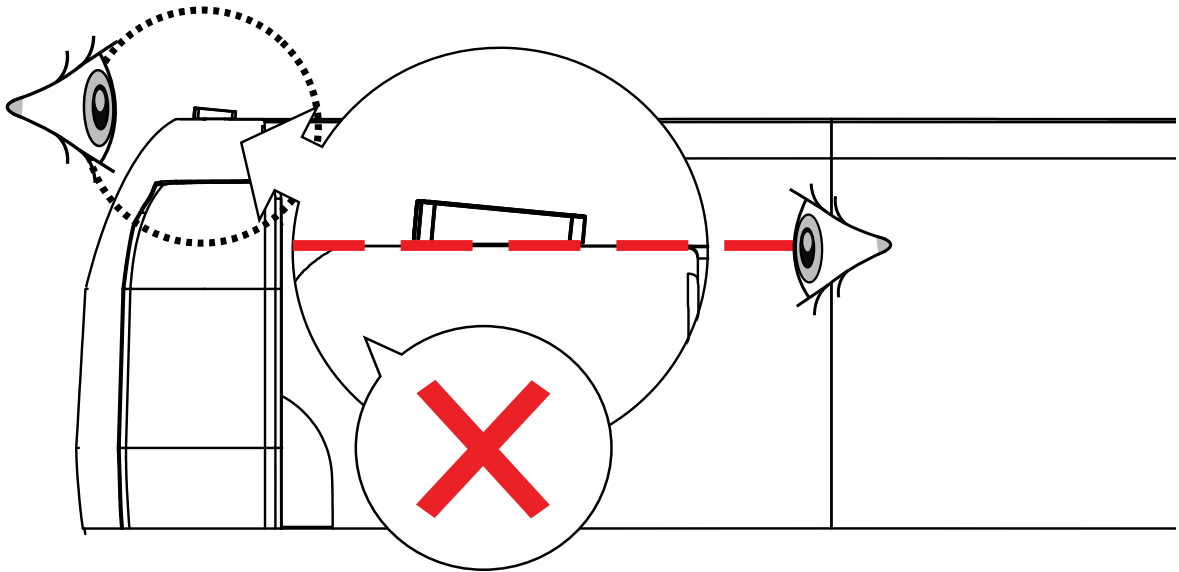
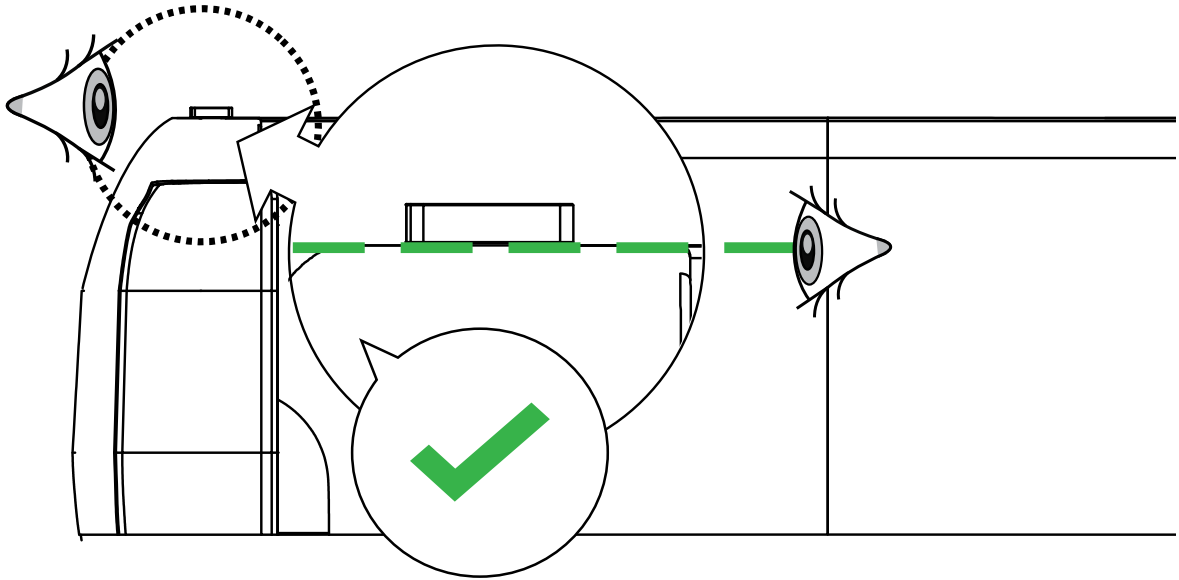
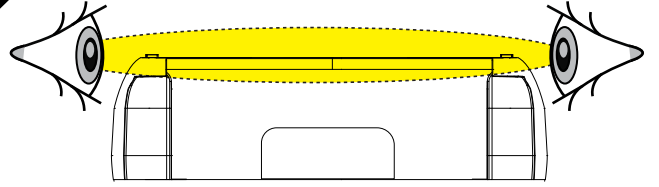
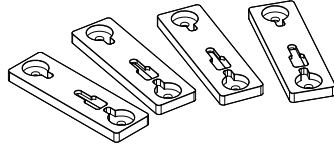
7

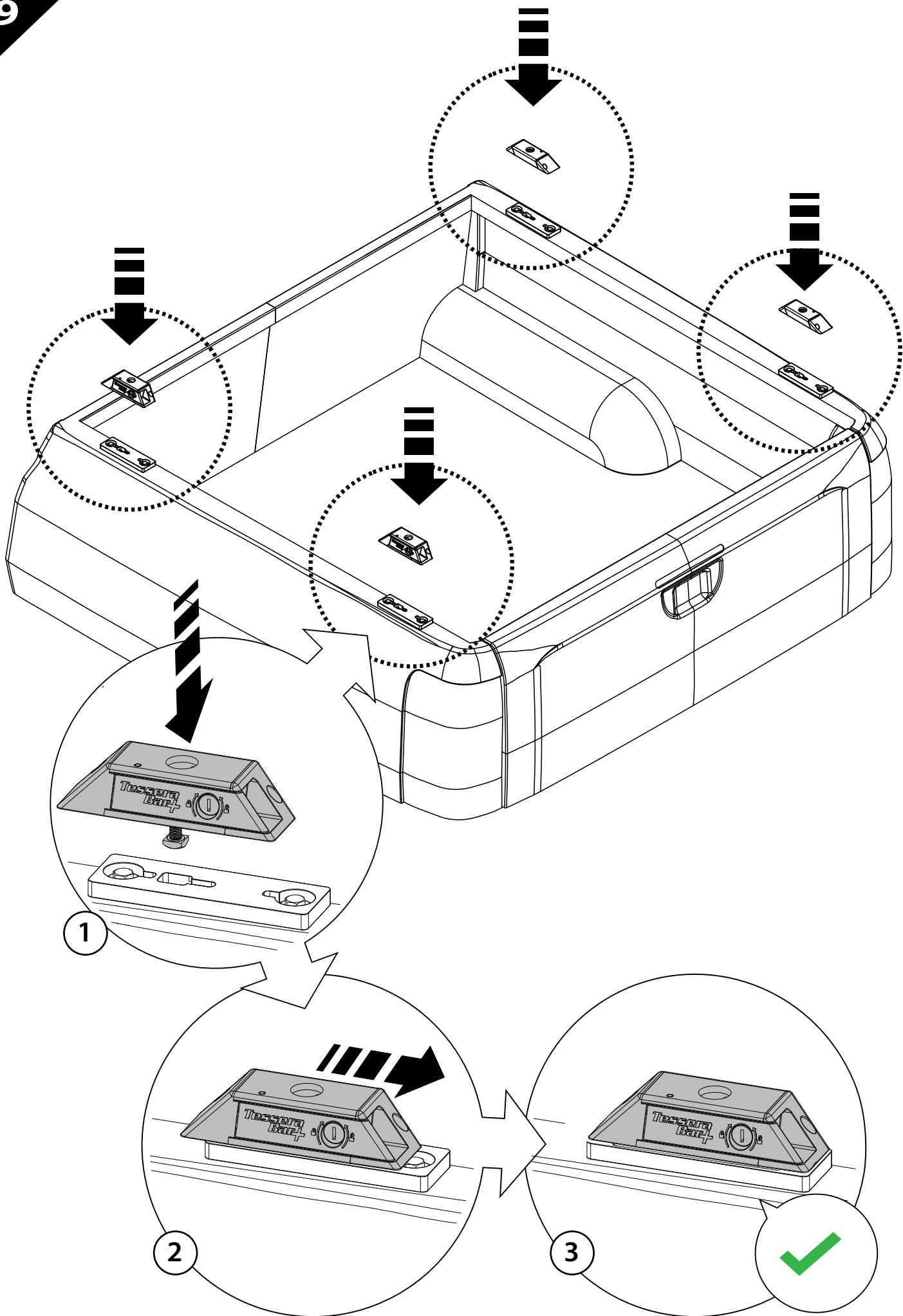
A



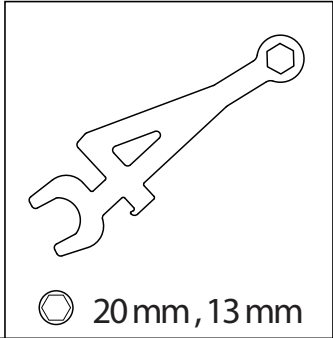
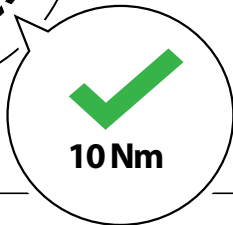
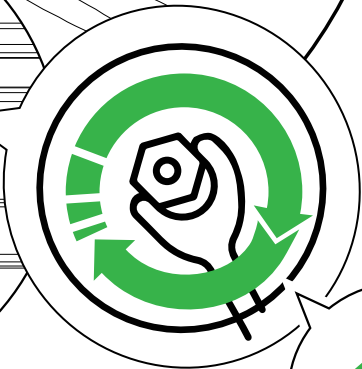
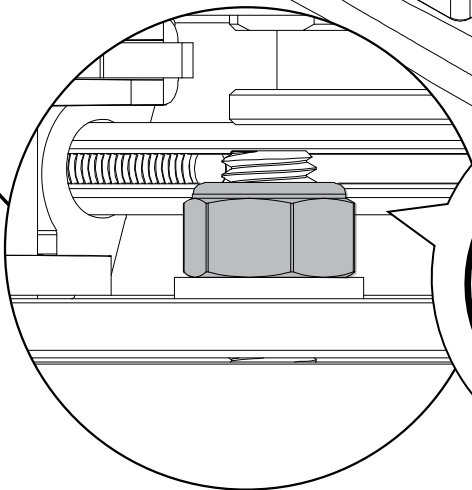
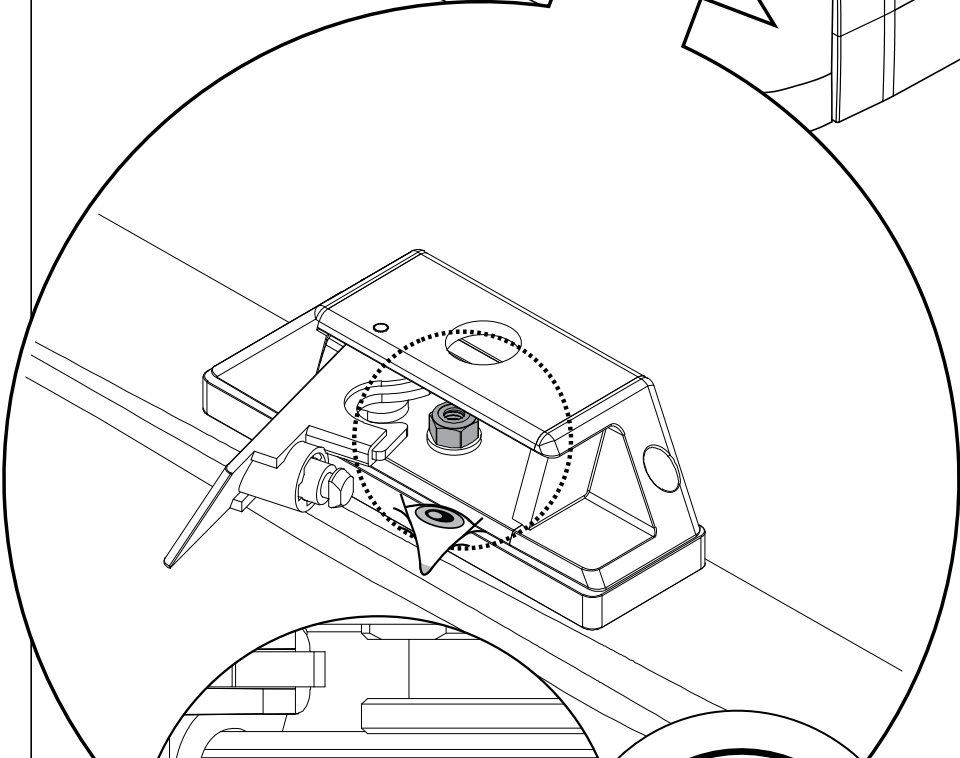
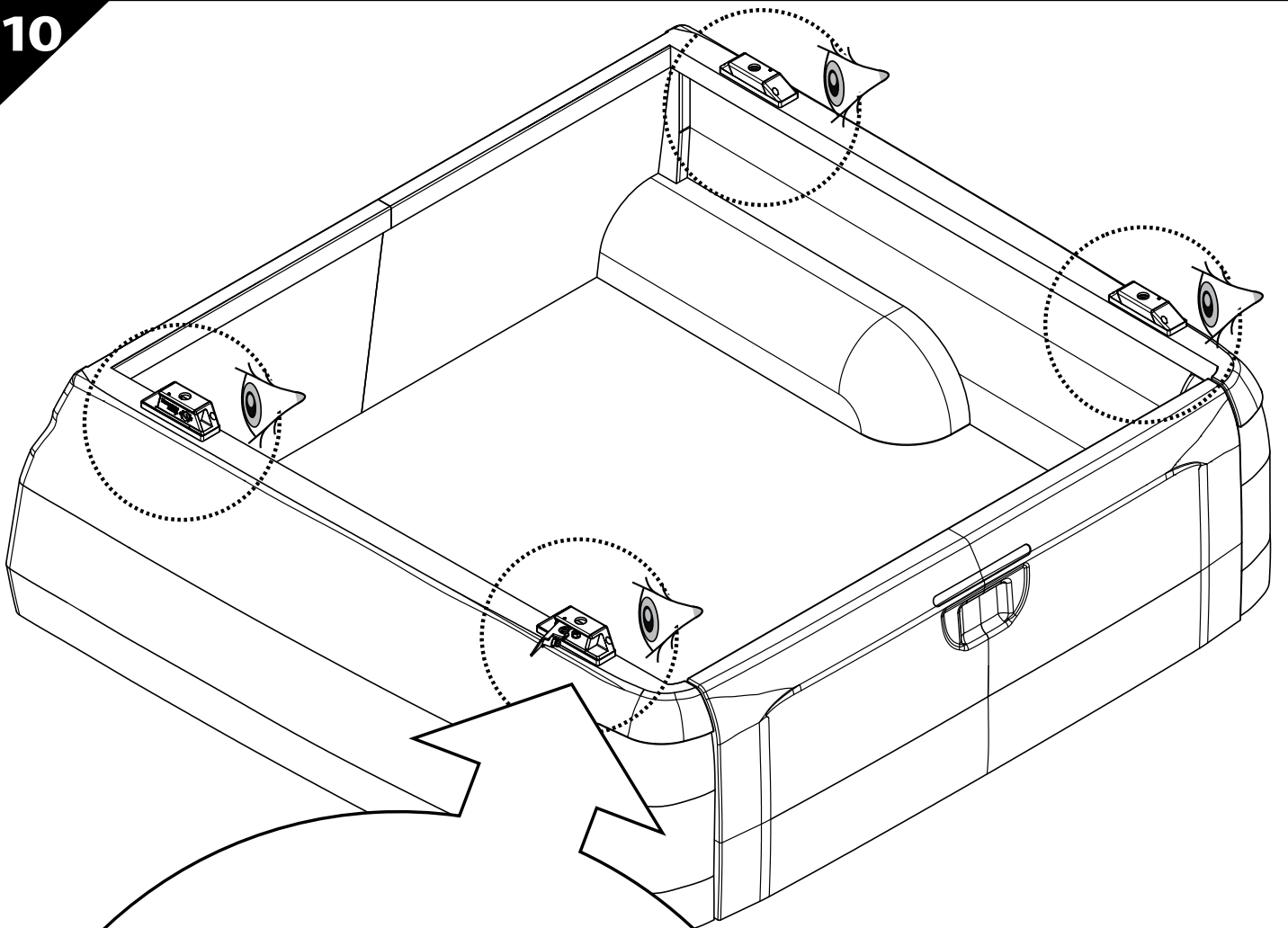
B

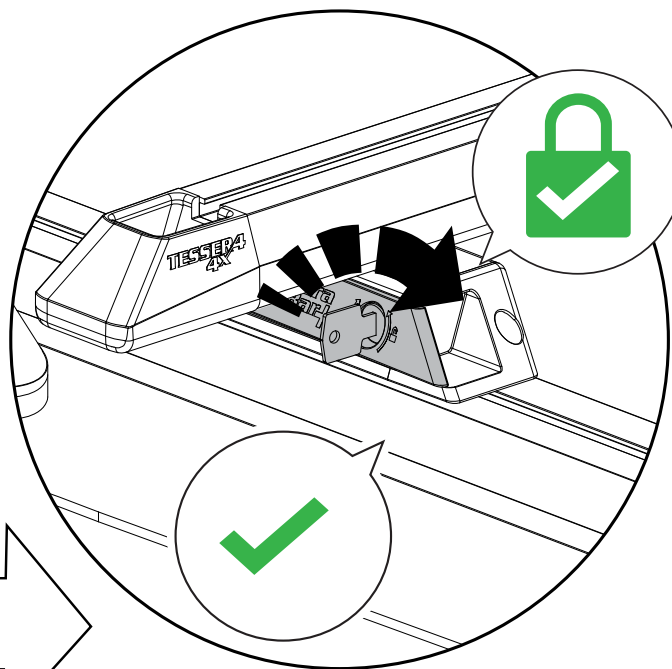
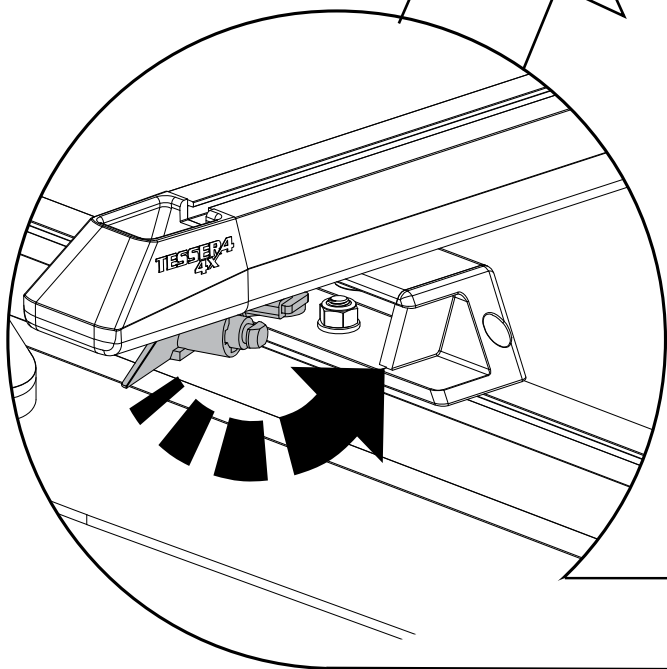
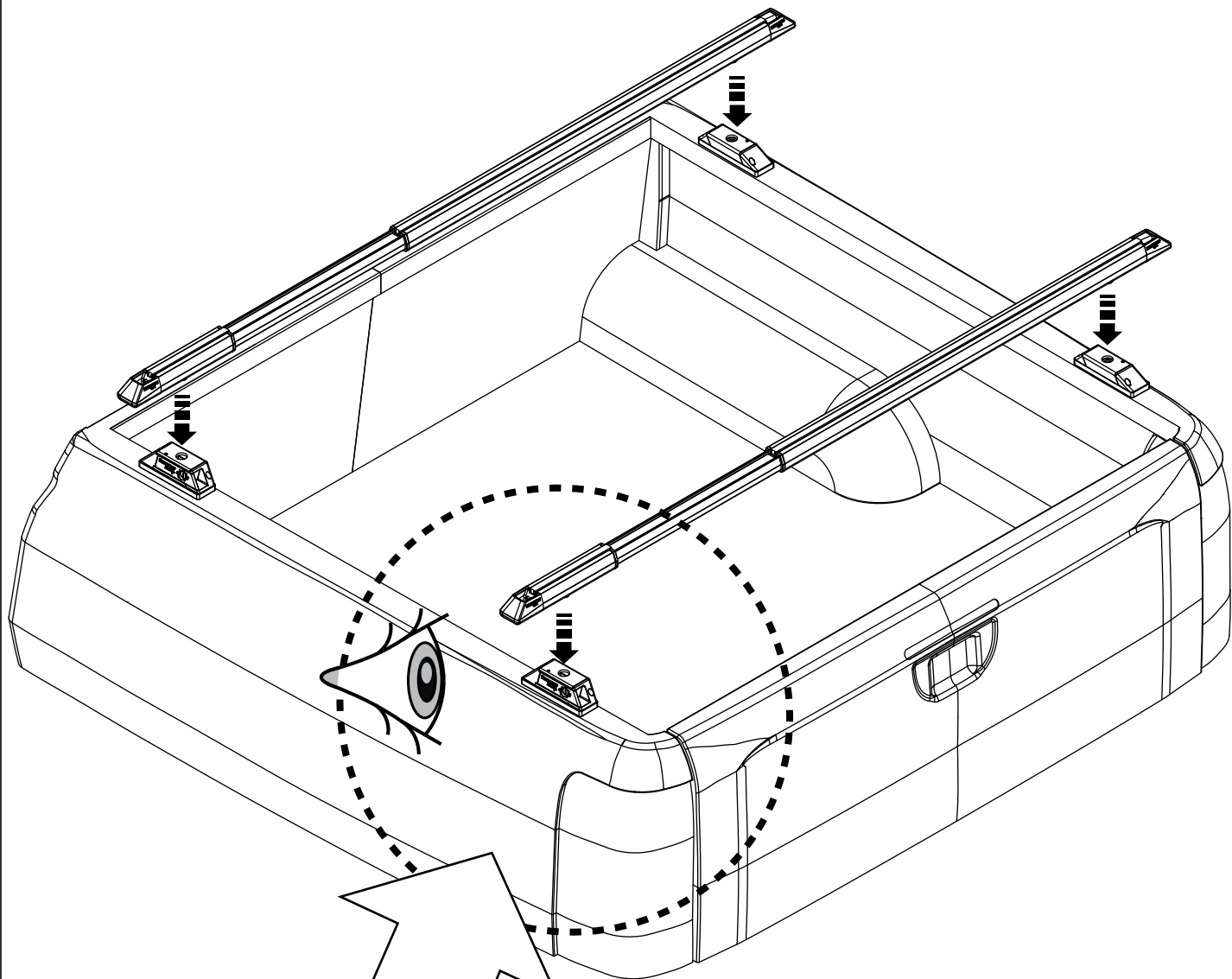


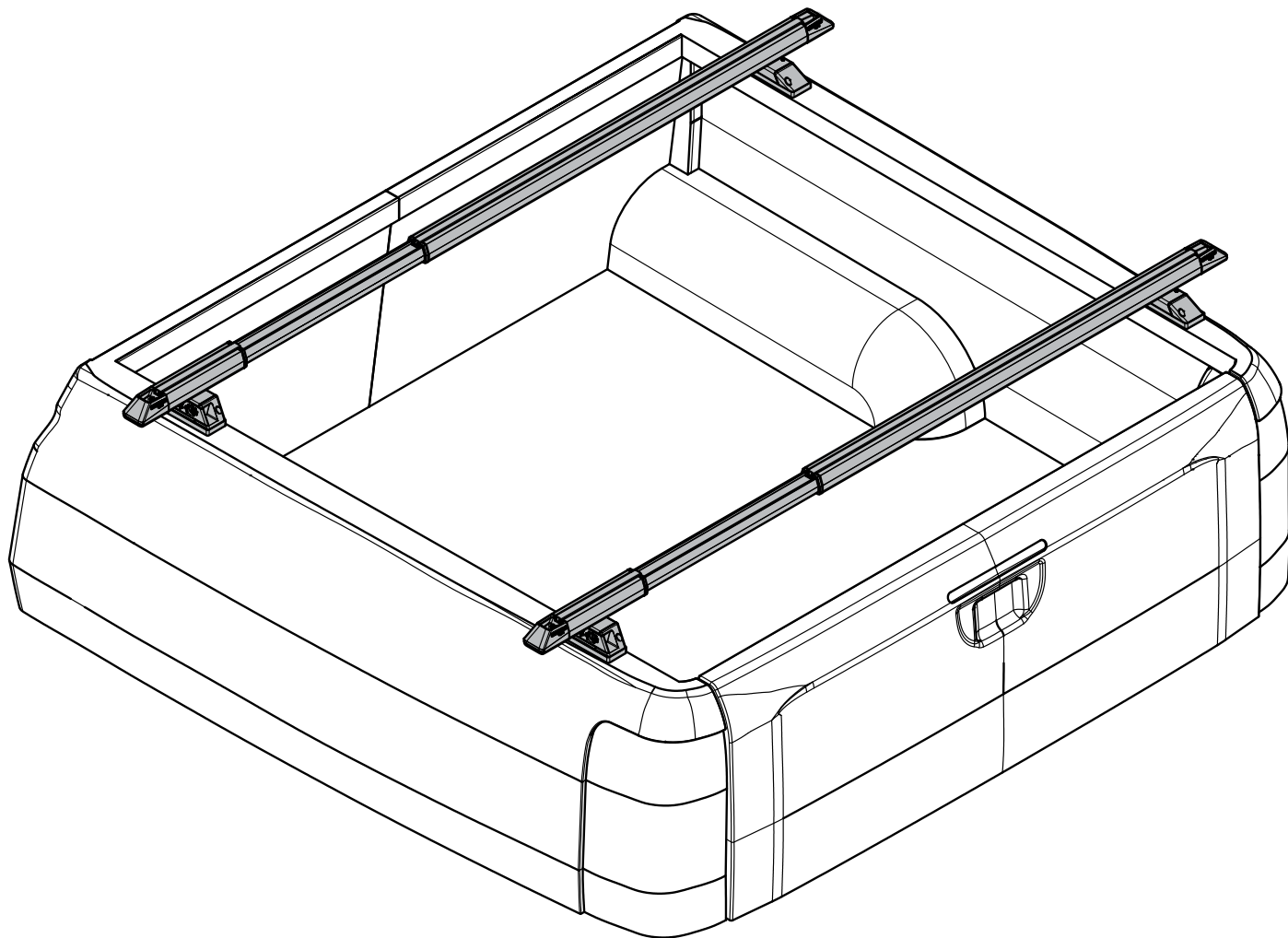




10









GR: Οδηγίες Εγκατάστασης
GB: Installation manual
SF: Asennusohje
F: Notice de montage
PL: Instrukcja montażu
NL: Installatie-instructies
TR: Montaj Talimatı
S: Monteringsanvisning
E: Instrucciones de montaje

H: Szerelési utasítás
P: Instruções de instalação
RUS: Инструкция по установке
N: Monteringsveiledning
D: Einbauanleitung
CZ: Návod k instalaci
I: Istruzioni de montaggio
DK: Monteringsvejledning
RO: Instructiuni de instalare

Customer Service:

+30 (210) 5541161, +30 (210) 5541154 (08:00 - 16:00 EET)

Support department:

info@gianso.gr

Website:

www.tessera4x4.com

Address:

19.5 km of National road Athens-Korinthos (Elefsina) Greece, P.C: 19200